

DIAMOND PRODUCTS

Parts List Manual

Hydra-Gen

123 HP

**Power Unit with
Electric Controls**

Part #: CC-HG-SK

(January 2008)

Part#: 1805052

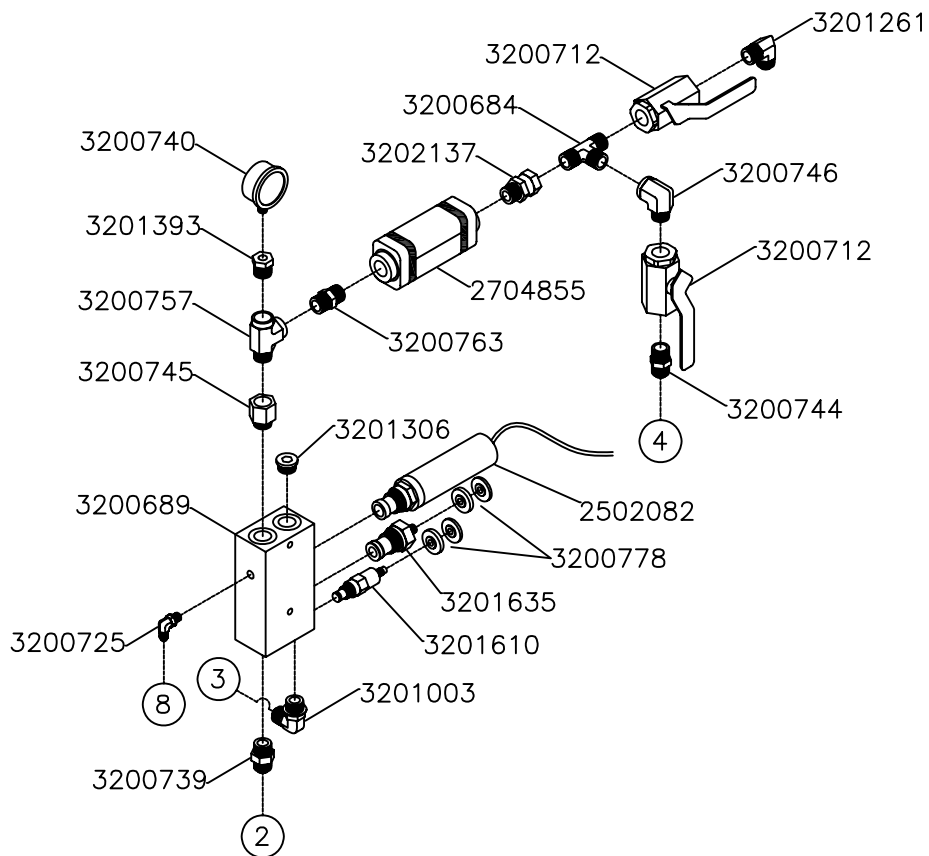
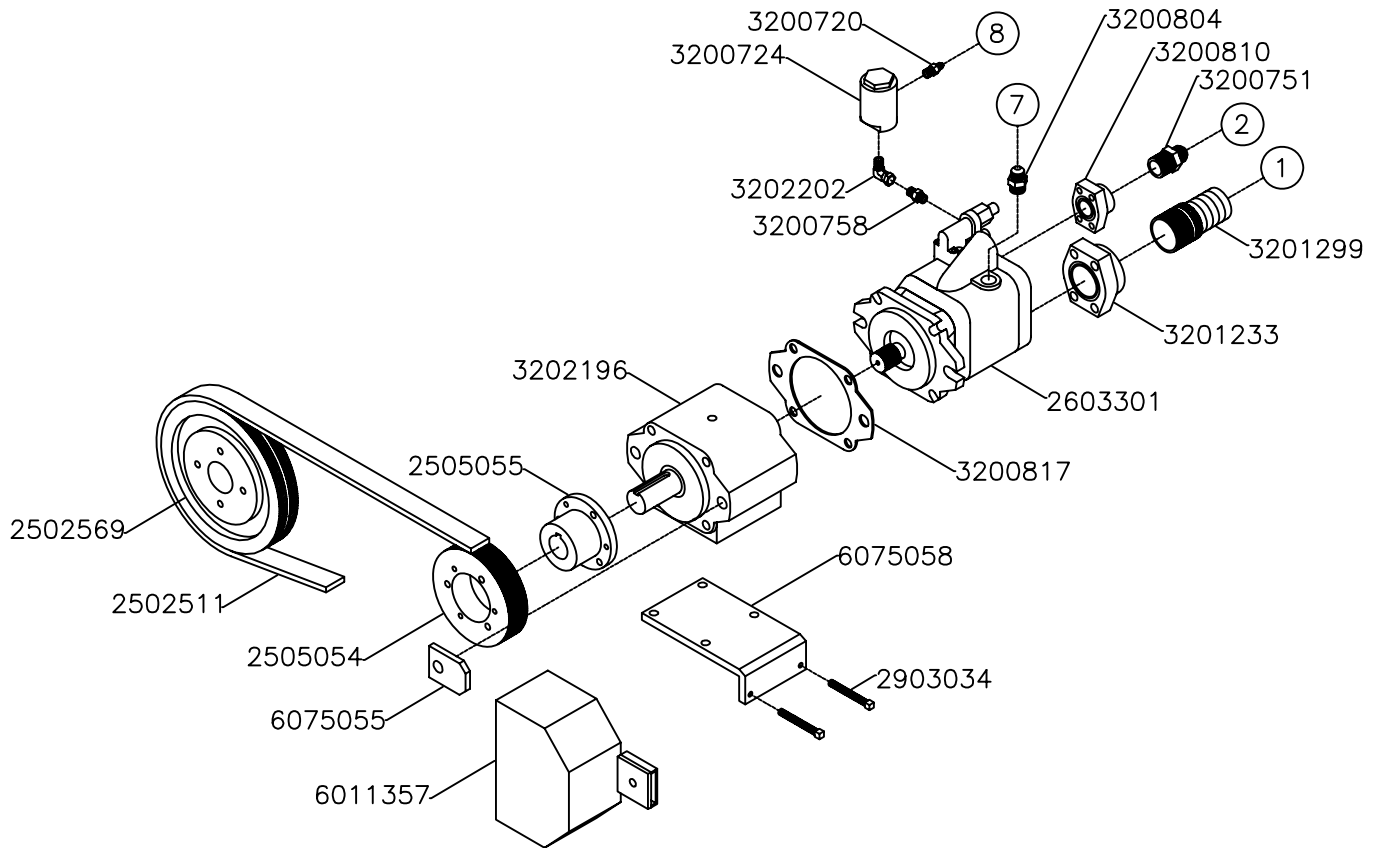
Table of Contents

Hydraulic Pump and Manifold	4
Hydraulic Tank and Oil Cooler	6
Tier II Manifold and Pendant Station	8
Tier III Manifold and Pendant Station	10
Electrical Panel	12
Wiring Diagram	13
Operating Instructions	14
Spare Parts	16
Specifications	17
Warranty	20

Hydraulic Pump and Manifold

<u>Part Number</u>	<u>Quantity</u>	<u>Description</u>
2502569	1	Crank Shaft Pulley
2502511	1	Synchronous Belt, B-1400
2505054	1	Load Adapter Pulley
2505055	1	Bushing
3202196	1	Load Adapter Pulley
3200817	1	Load Adapter Gasket
2603301	1	Hydraulic Pump, 3.8 C.I.
3201233	1	Pump Flange, 2" FPT
3200810	1	Pump Flange, 1" FPT
3201299	1	Fitting, 2" MPT to 2" Hose Barb
3200751	1	Fitting, 1" FPT to 3/4" M. JIC
3200804	1	Fitting, 1/2" M. JIC to 5/8" M. O-Ring
3200758	1	Fitting, 1/4" MPT to 1/4" M. O-Ring
3202202	1	Fitting, Swivel Elbow, 1/4" MPT to 1/4" FPT
3200724	1	Hydraulic Pump Filter
3200720	1	Fitting, 3/8" M. JIC to 1/4" MPT
6011357	1	Belt Cover
6075058	1	Pump Mount Bracket
2903034	2	Set Screw, Square Head, 3/8-16 x 3"
3200740	1	Pressure Gauge
3201393	1	Fitting, Reducer, 3/4" MPT to 1/4" FPT
3200757	1	Fitting, Street Tee, 3/4" MPT x 3/4" FPT x 3/4" FPT
3200745	1	Fitting, Adapter, 3/4" M. O-Ring to 3/4" FPT
3200689	1	Manifold, ON/OFF
3200725	1	Fitting, Swivel Elbow, 3/8" M. O-Ring to 3/8" M. JIC
3200739	1	Fitting, 3/4" M. O-Ring to 3/4" M. JIC
3201003	1	Fitting, Elbow, 3/4" M. O-Ring to 3/4" M. JIC
3201306	1	Fitting, Plug, 3/4" M. O-Ring
3201610	1	Relief Valve, 3/4"
3201635	1	Manual Flow Control
3200778	2	Knob Kit
2502082	1	Flow Control, 12 Volt
3200763	1	Fitting, Hex Nipple, 3/4" MPT
2704855	1	Flow Meter
3202137	1	Fitting, Swivel Adapter, 3/4" MPT to 3/4" FPT
3200684	1	Fitting, Tee, 3/4" MPT
3200712	2	Ball Valve, 3/4"
3200744	1	Fitting, Connector, 3/4" M. JIC to 3/4" MPT
3200746	1	Fitting, Street Elbow 90, 3/4" MPT to 3/4" FPT
3201261	1	Fitting, Elbow, 3/4" M. JIC to 3/4" MPT

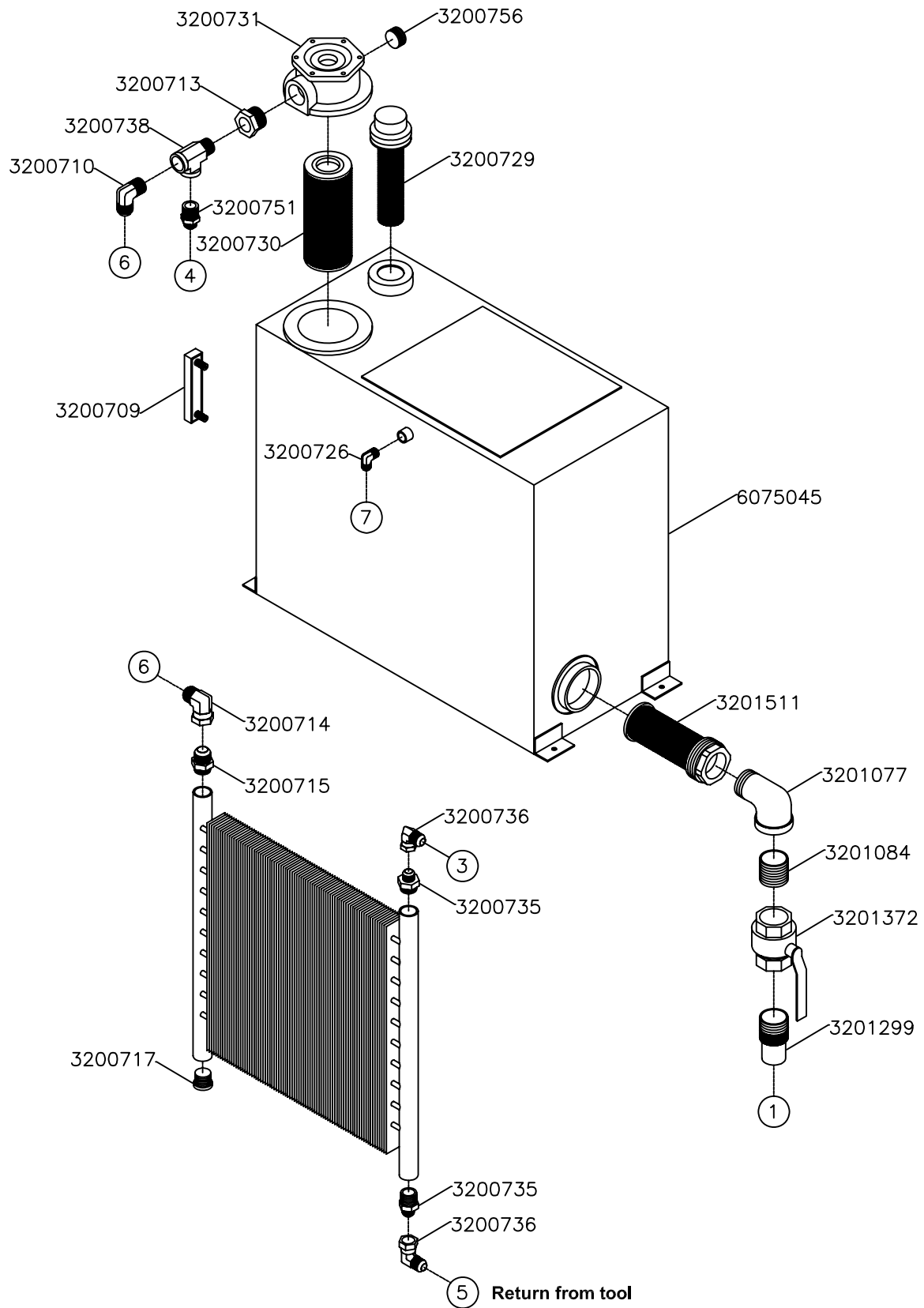
Hydraulic Pump and Manifold



Hydraulic Tank and Oil Cooler

<u>Part Number</u>	<u>Quantity</u>	<u>Description</u>
6075045	1	Hydraulic Oil Tank
3200729	1	Filler / Strainer
3200730	1	Return Oil Filter
3200731	1	Filter Head
3200709	1	Sight Glass
3201511	1	Suction Filter, 2"
3201077	1	Fitting, Street Elbow 90, 2" MPT to 2" FPT
3201084	1	Close Nipple, 2" NPT
3201372	1	Ball Valve, 2"
3201299	1	Fitting, 2" MPT to 2" Hose Barb
3200756	1	Plug, Hex Head, 1-1/4" MPT
3200713	1	Fitting, Reducer, 1-1/2" MPT to 1" FPT
3200738	1	Fitting, Street Tee, 1" MPT to 1" FPT
3200710	1	Fitting, Elbow 90, 1" M. JIC to 1" MPT
3200751	1	Fitting, Connector, 3/4" M. JIC to 1" FPT
3200726	1	Fitting, Elbow 90, 1/2" MPT to 1/2" M. JIC
3200715	1	Fitting, Connector, 1" M. O-Ring to 1" M. JIC
3200714	1	Fitting, Swivel Elbow 90, 1" M. JIC to 1" F. JIC
3200717	1	Fitting, Plug, 1" M. O-Ring
3200735	1	Fitting, Connector, 1" M. O-Ring to 3/4" M. JIC
3200736	1	Fitting, Swivel Elbow 90, 3/4" M. JIC to 3/4" F. JIC

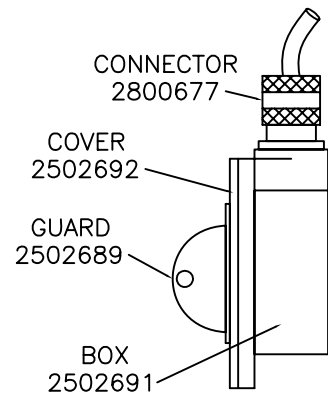
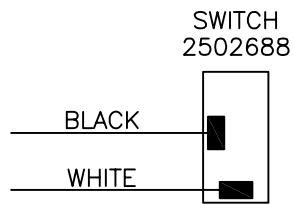
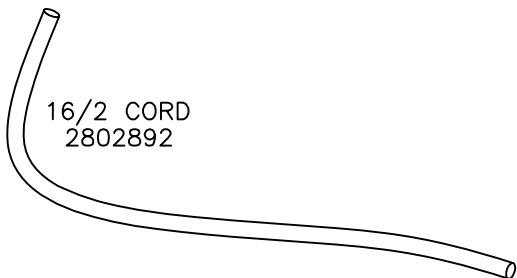
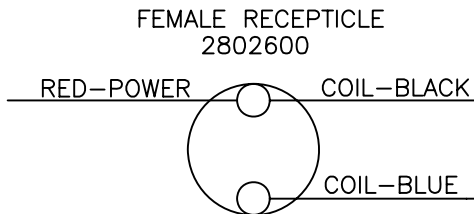
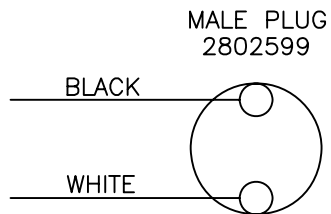
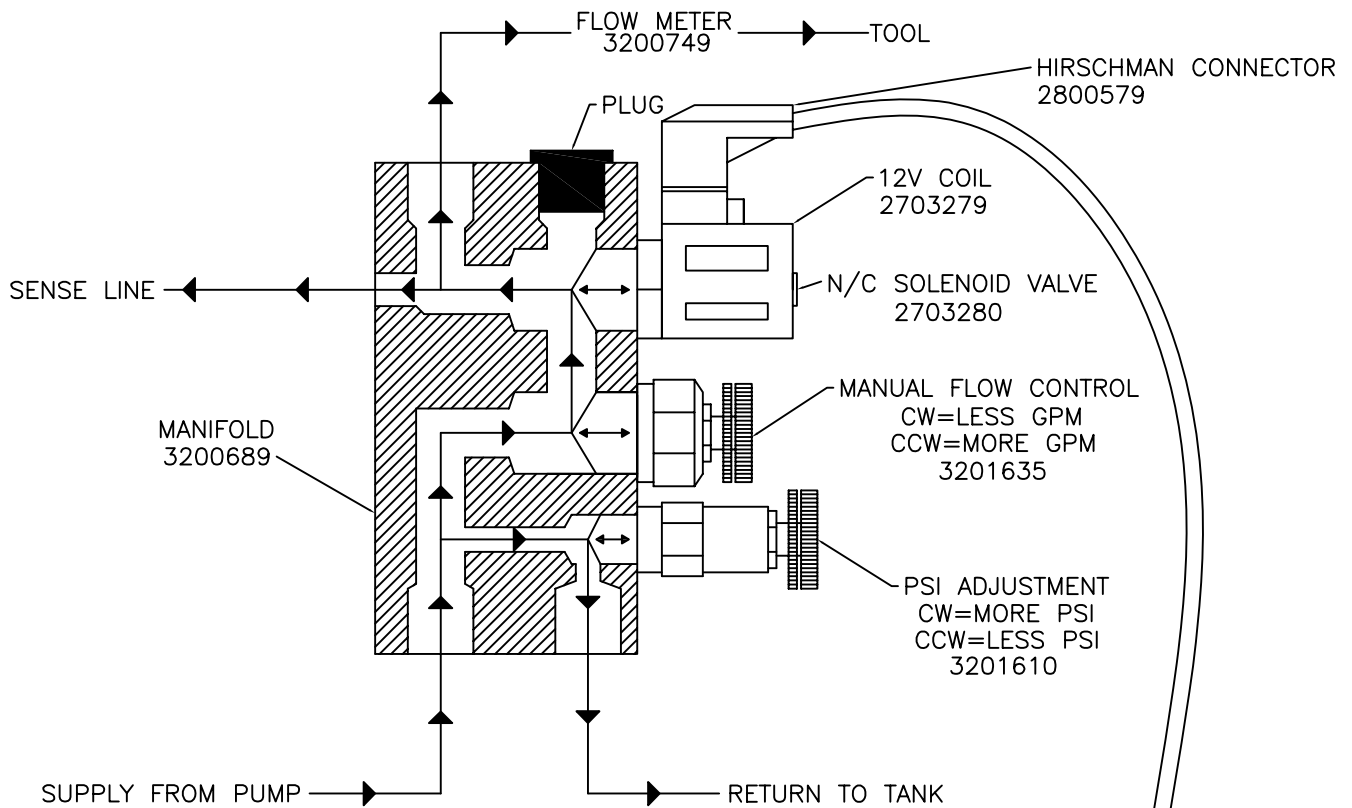
Hydraulic Tank and Oil Cooler



Tier II Manifold and Pendant Station

<u>PART NUMBER</u>	<u>QTY</u>	<u>DESCRIPTION</u>
2800579	1	Hirschman Connector with 25 ft. Cable
3200749	1	Hydraulic Flow Meter
2703279	1	Coil, 12 Volt
2703280	1	Solenoid Valve, N/C
3200689	1	Manifold, ON / OFF
3201635	1	Manual Flow Control
3201610	1	Relief Valve, 3/4"
2802599	1	Plug, Male 2-Prong, 15A, 125V, Twist Lock
2802600	1	Receptacle, Female 2-Prong, 15A, 125V Twist Lock
2802892	120'	16/2 SO Cord
2502688	1	Switch, Toggle
2502691	1	Switch Control Box
2502689	1	Switch Guard
2502692	1	Switch Control Box Cover
2800677	1	Cord Connector, 3/8" - 1/2"

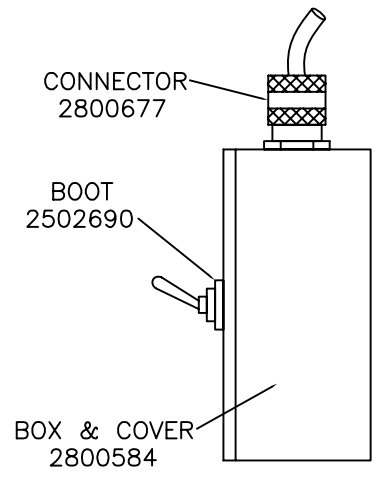
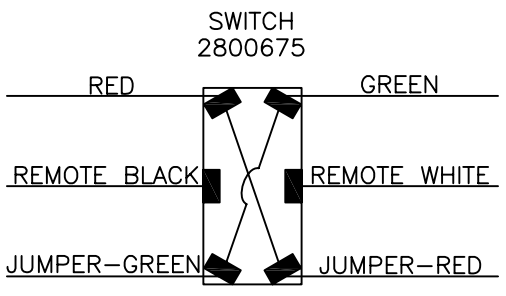
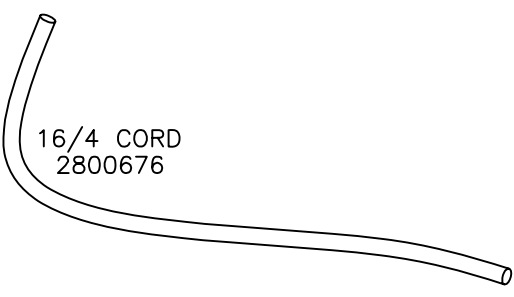
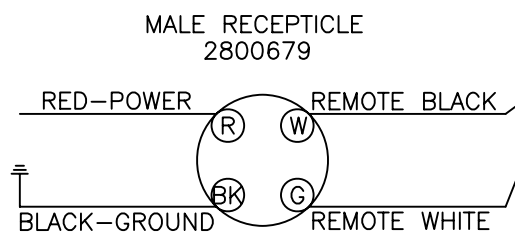
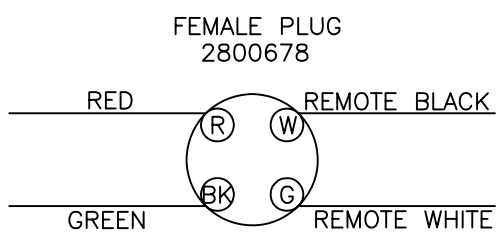
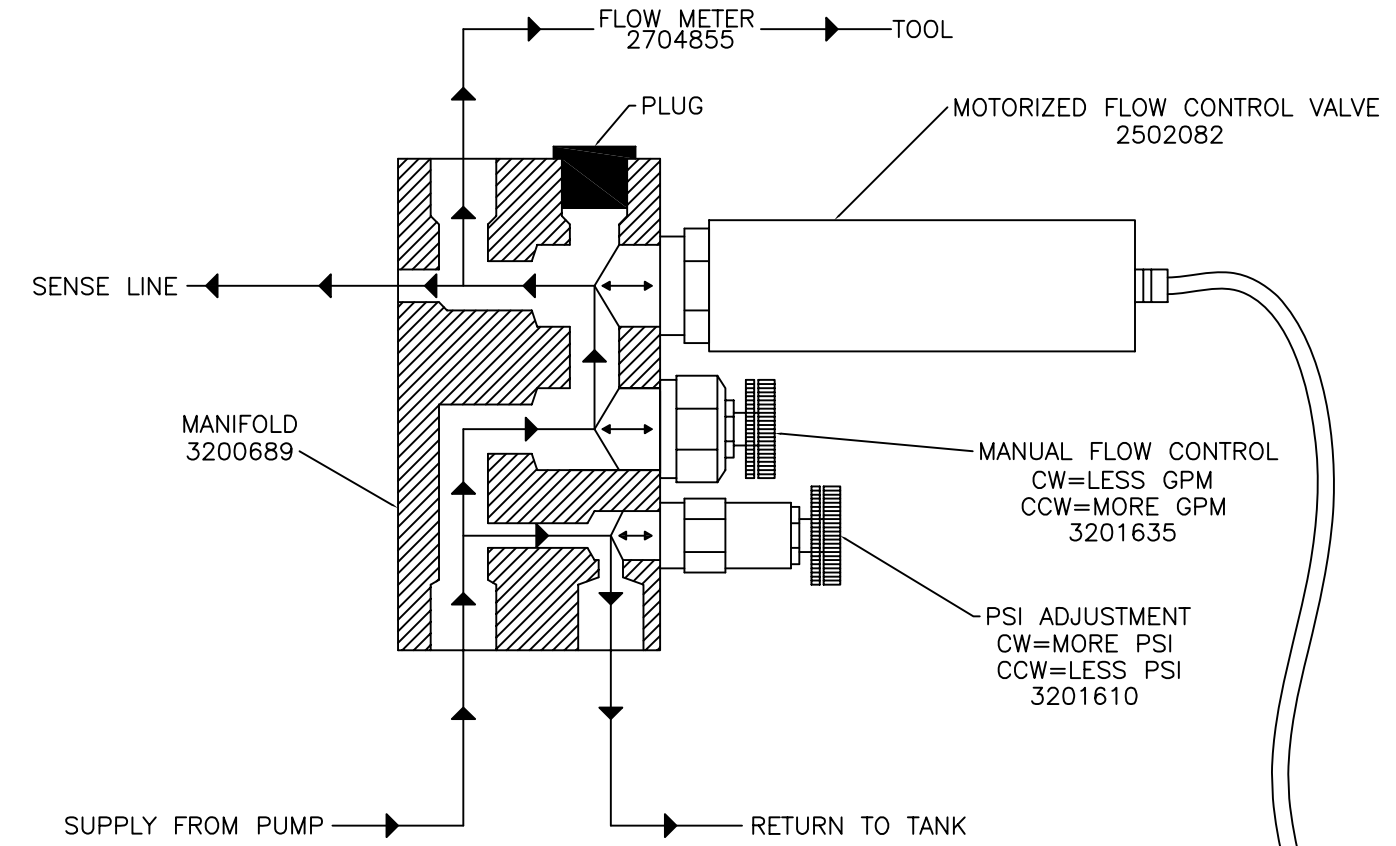
Tier II Manifold and Pendant Station



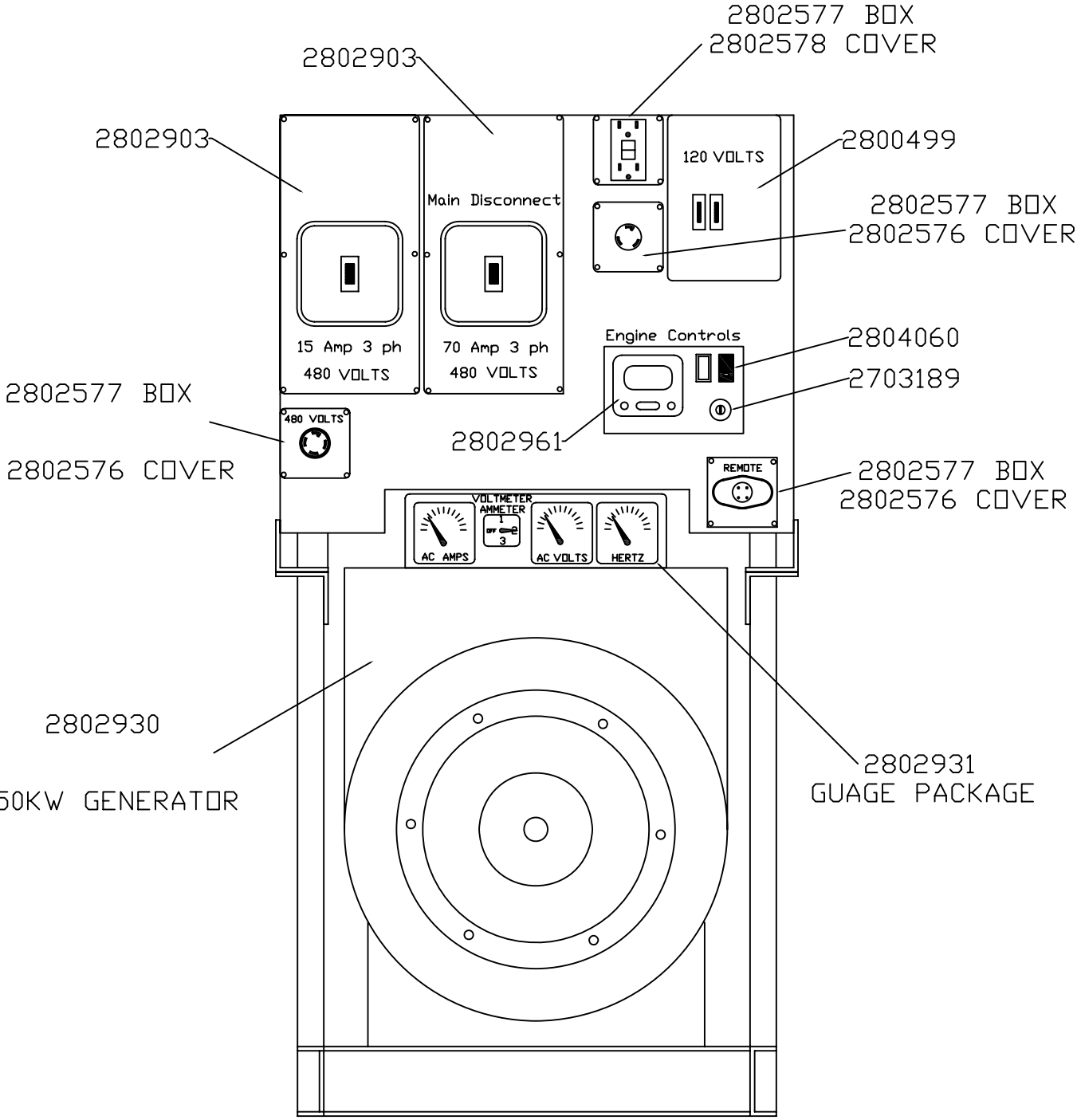
Tier III Manifold and Pendant Station

<u>PART NUMBER</u>	<u>QTY</u>	<u>DESCRIPTION</u>
2704855	1	Flow Transmitter
2502082	1	Flow Control Valve, Motorized
3200689	1	Manifold, ON / OFF
3201635	1	Manual Flow Control
3201610	1	Relief Valve, 3/4"
2800678	1	Receptacle, Female, 4-Pole, Spring Loaded Door
2800679	1	Plug, Male, 4-Pole
2800676	120'	16/4 SO Cord
2800675	1	Switch, Toggle, 25A
2800677	1	Cord Connector, 3/8" - 1/2"
2502690	1	Toggle Switch Boot
2800584	1	Electrical Box and Cover

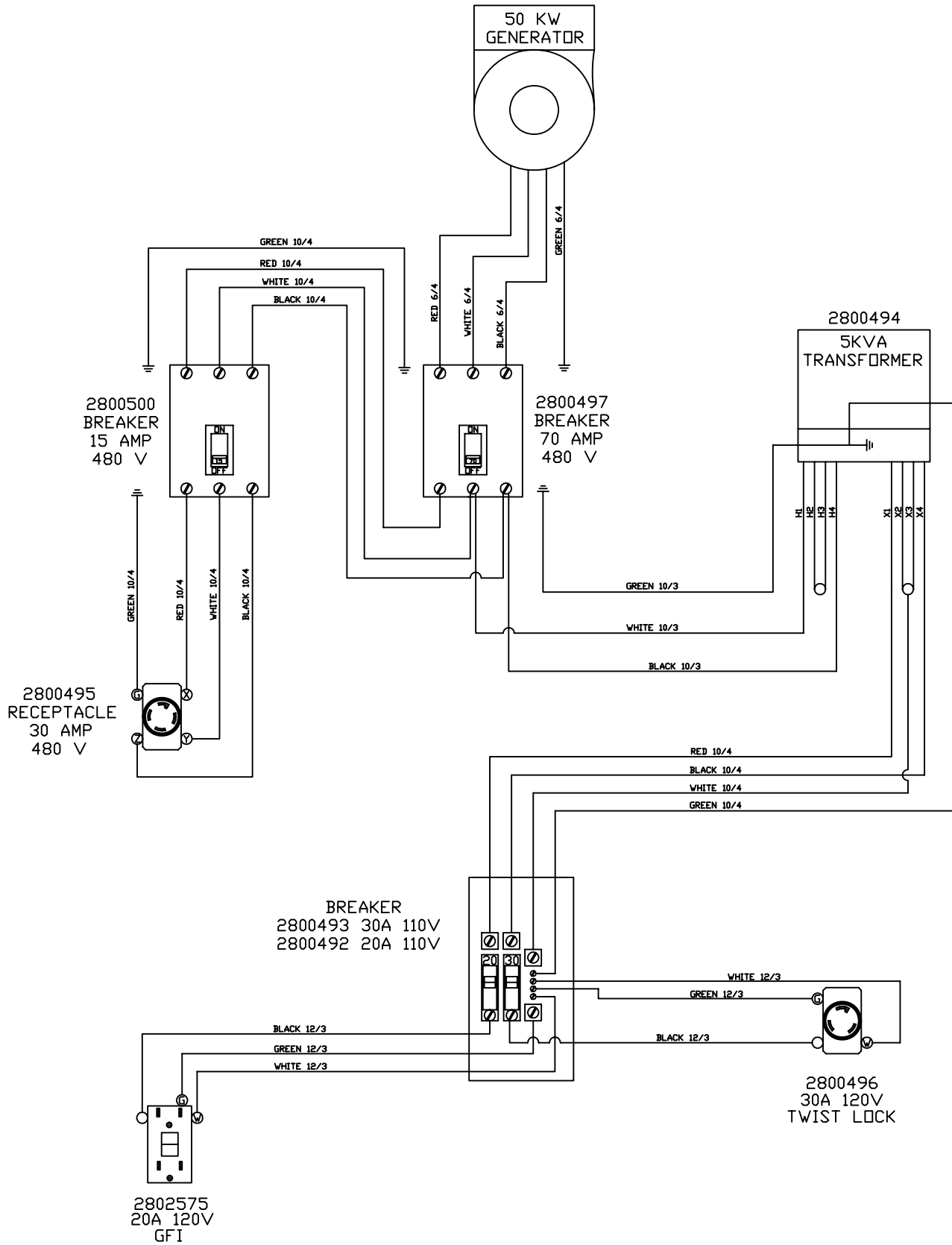
Tier III Manifold and Pendant Station



Electrical Panel



Wiring Diagram



OPERATING INSTRUCTIONS
CC-HG-SK
(With Electronic Controls)

To Start Engine:

Push Rocker Switch To Turtle Position
TURN Ignition Key To Start Position. Release Key When Engine Starts.
Push Rocker Switch To Hare Position. For **ALL** Functions Related To This Unit

To Shut Off Engine:

Return Rocker Switch To Turtle Position
Let Idle For 2 Minutes
Turn Ignition Key Off

WARNING:
Do NOT Use Generator Or Hydraulics
With The Engine Running In Turtle Position!

For Generator Use:

With Engine Running In The Hare Position,
Engage The 70Amp Main Breaker. Now You Are Ready For **ALL** Generator

For Hydraulic Use:

With Engine Running In The Hare Position,
You Will Have Live Hydraulics.

WARNING:
Do NOT Attempt To Use The Hydraulics
When The Engine Is In The Turtle Position!

**OPERATING INSTRUCTIONS
CC-HG-SK
(With Electronic Controls)**

Adjusting Hydraulic Pressure And Flow:

This Unit Is Equipped With Electronic Controls
The **Pressure** And **Flow** Are Adjustable On This Unit

**WARNING:
Do NOT Adjust Pump!**

To Regulate The Flow, The On/Off Switch Can Be Ramped Up And Down
To Control The Gallons Per Minute. This Can Be Done At The Working Tool

All **Pressure** Adjustments Are Made At The Unit **ITSELF**.
Use The Lower Regulation Knob To Make This Adjustment

Maximum Flow Adjustments Can Also Be Made With The Upper Regulator Knob

**NOTE:
This Unit Is Equipped With A
Flow Meter and Pressure Gauge**

**WARNING:
Be Sure That When You Are Using The Generator Only;
That The Switch To Turn On The Hydraulics
Is In The OFF Position!**

Electrical Outlets:

Description:

70Amp Main Breaker 480Volt 3Ph
15Amp Breaker 480Volt 3Ph
30Amp Breaker 110Volt 1Ph
20Amp Breaker 110Volt 1Ph

Recommended Spare Parts

TIER III H/G

<u>DESCRIPTION</u>	<u>JOHN DEERE #</u>
Starter	RE59588
Fan Belt	R135589
Oil Filter	RE504836
Fuel Filter (Main/Final)	RE522878
Fuel Filter (Water Separator)	RE529643
Air Filter (Outer)	AT225338
Air Filter (Inner)	AT225339
	<u>DPI#</u>
Pump Drive Belt	2502511
Hydraulic Return Filter	3200730

TIER II H/G

<u>DESCRIPTION</u>	<u>DPI#</u>
Starter	2707003
Oil Filter	2703165
Fuel Filter	2703166
Fan Belt	2505046
Pump Drive Belt	2502511
Hydraulic Return Filter	3200730

Specifications

DIMENSIONS

LENGTH 85"
HEIGHT 75"
WIDTH 36"
WEIGHT 3800 LBS

ENGINE

JOHN DEERE 123 HP
WATER COOLED
TIER III EMISSIONS RATED

GENERATOR

50KW LIMA MAC
480 VOLT 3 PHASE
GAUGES

HYDRAULIC PUMP

MAX PRESSURE 3000
MAX FLOW 28 GPM
BELT DRIVEN
40 GALLON OIL TANK
SUCTION AND RETURN FILTERS
HEAT EXCHANGER, AIR OVER OIL

EQUIPMENT AND PARTS WARRANTY

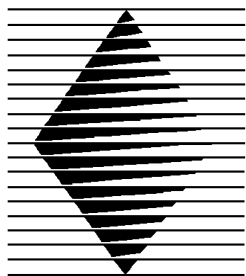
Diamond Products warrants all equipment manufactured by it against defects in workmanship or materials for a period of one (1) year from the date of shipment to Customer.

The responsibility of Diamond Products under this Warranty is limited to replacement or repair of defective parts at Diamond Products' Elyria, Ohio factory, or at a point designated by it, of such parts as shall appear to us upon inspection at such parts, to have been defective in material or workmanship, with expense for transportation and labor borne by Customer.

In no event shall Diamond Products be liable for consequential or incidental damages arising out of the failure of any Product to operate properly.

Integral units such as engines, electric motors, batteries, transmissions, etc., are excluded from this Warranty and are subject to the prime manufacturer's warranty.

THIS WARRANTY IS IN LIEU OF ALL OTHER WARRANTIES, EXPRESSED OR IMPLIED, AND ALL SUCH OTHER WARRANTIES ARE HEREBY DISCLAIMED.



DIAMOND PRODUCTS

333 Prospect Street, Elyria, Ohio 44035
(440) 323-4616 • (800) 321-5336 • Fax (440) 323-8689
www.diamondproducts.com