

DIAMOND PRODUCTS

M-5 PRO CORE BORE DRILLING MACHINE PARTS LIST

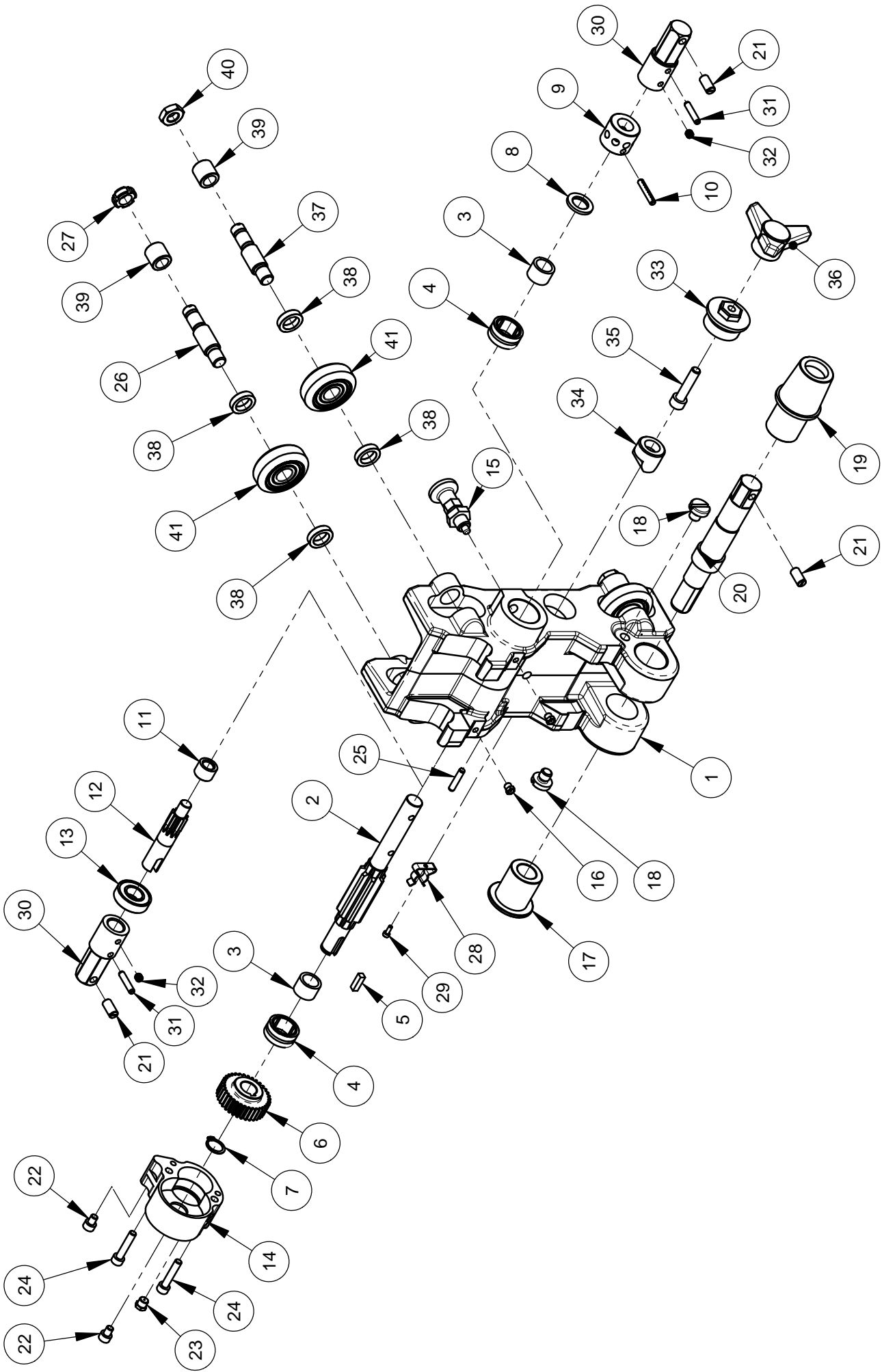
(July 2012)

Part #1801944

Table of Contents

| <u>Description</u> | <u>Page No.</u> |
|---------------------------------------------------|-----------------|
| Carriage Assembly..... | 4 - 5 |
| Combo Base Assembly..... | 6 - 7 |
| Anchor Base Assembly..... | 8 |
| Anchor Base | 9 |
| Mast Assembly for Combination Base..... | 10 |
| Mast Assembly for Anchor Base..... | 11 |
| Wheel Assembly for Combination Base..... | 12 |
| Wheel Assembly for Anchor Base..... | 13 |
| Manual Crank Assembly..... | 14 |
| Vacuum Pump Assembly (Combination Base Only)..... | 15 |
| QD Motor Mount Assembly..... | 16 |
| QD Outrigger Assembly-7"..... | 17 |
| QD Outrigger Assembly-10"..... | 18 |
| Control Panel (Combination Base Only)..... | 19 |

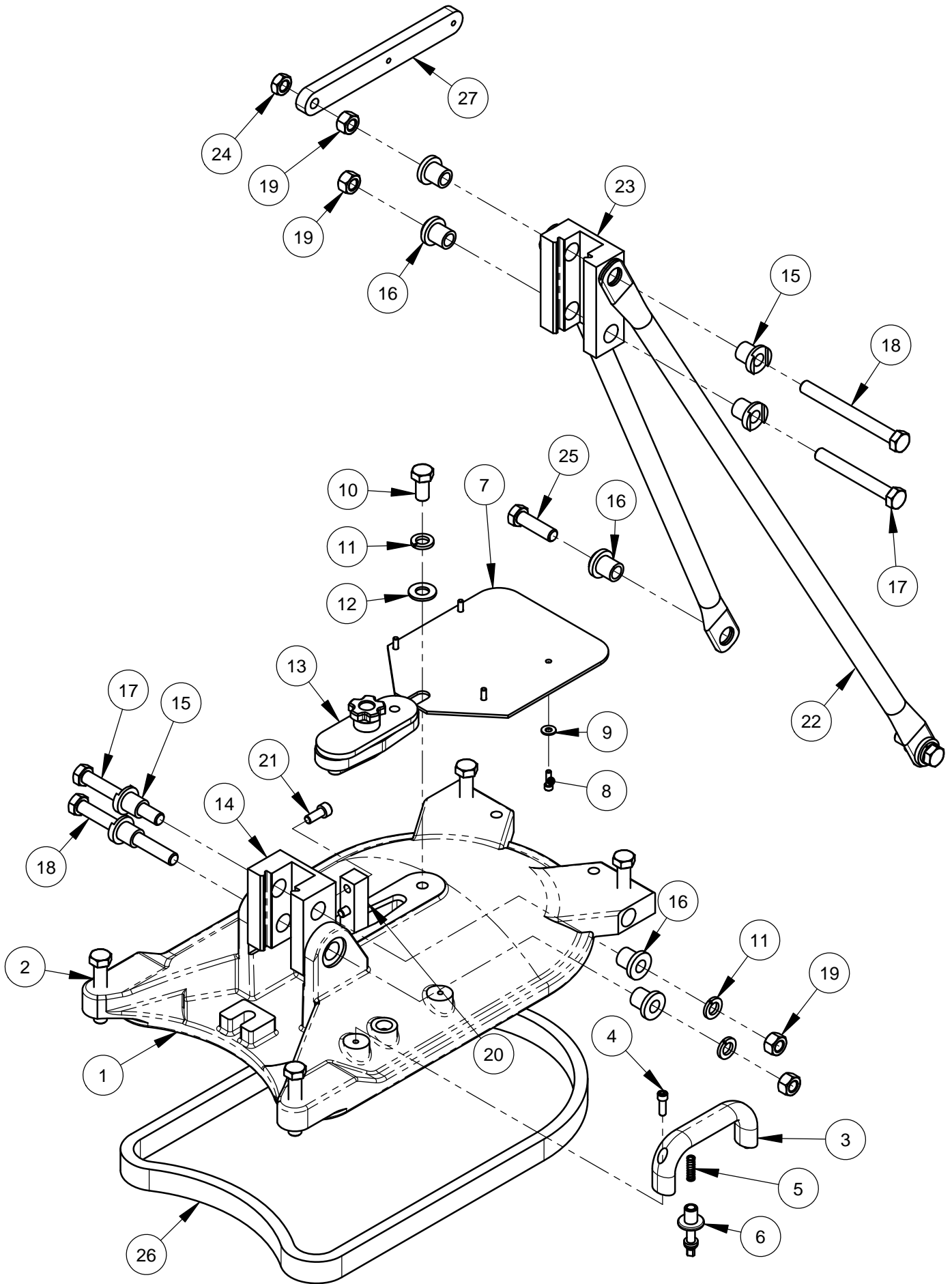
M-5 Pro Carriage Assembly #4600201



M-5 Pro Carriage Assembly #4600201

| ITEM | PART NO. | QTY. | DESCRIPTION | ITEM | PART NO. | QTY. | DESCRIPTION |
|------|----------|------|---------------------------|------|----------|------|------------------------------------|
| 1 | 4600262 | 1 | M-5 Pro Carriage | 21 | 4600261 | 3 | Thread-Tack M8 to BC-2 |
| 2 | 4600243 | 1 | Drive Shaft | 22 | 2900562 | 2 | Cap Screw, Soc. Hd., M6-1.0 x 8mm |
| 3 | 3401280 | 2 | Ring, 15 x 20 x 14mm | 23 | 3400366 | 1 | Grease Nipple, D1 M8 |
| 4 | 4600240 | 2 | Needle Bearing RNA 4902 | 24 | 2900345 | 2 | Cap Screw, Soc. Hd., M6 x 1 x 30mm |
| 5 | 3401276 | 1 | Key, 5 x 16.5 mm | 25 | 3401272 | 2 | Straight Pin, M6 X 24 |
| 6 | 3403141 | 1 | Gear Wheel | 26 | 4600252 | 2 | Roller Shaft Cyl. |
| 7 | 4600241 | 1 | Retaining Ring, Ext. 15mm | 27 | 4600253 | 2 | Stop Shaft Nut, M12 |
| 8 | 3401292 | 1 | Washer, M14 15/24/2.5 | 28 | 4600246 | 1 | Spring Steel Clip |
| 9 | 4600259 | 1 | Pinion Lock Ring | 29 | 2901387 | 1 | Cap Screw, Soc. Hd. M3-.5 x 8mm |
| 10 | 3401279 | 1 | Grooved Pin, M5 x 28mm | 30 | 4600247 | 2 | Adapter |
| 11 | 3401106 | 1 | Bearing, Needle NK 10/12 | 31 | 4600260 | 2 | M5 x 24mm Pullout Dowel Pin |
| 12 | 3401891 | 1 | Crankshaft (Short) | 32 | 3401016 | 2 | Set Screw, M6 x 6 |
| 13 | 3400146 | 1 | Bearing, Ball 6002-2RS | 33 | 4600245 | 1 | Tensioning Screw |
| 14 | 3402154 | 1 | Gear Housing | 34 | 4600244 | 1 | Sliding Block |
| 15 | 4600242 | 1 | Locking Bolt, M12 | 35 | 3402019 | 1 | Capscrew, Soc.Hd. M8 x 35mm |
| 16 | 4600263 | 2 | Grease Nipple D1 M8 | 36 | 4600257 | 1 | Handle |
| 17 | 3401852 | 1 | Cam Shaft Bushing | 37 | 4600251 | 2 | Roller Shaft, Eccentric |
| 18 | 3401289 | 2 | Screw, HCCB-7S Clamping | 38 | 4600249 | 8 | Distance Ring |
| 19 | 4600256 | 1 | Cam Shaft Housing | 39 | 4600250 | 4 | Bearing Shell |
| 20 | 4600258 | 1 | Cam Shaft (Eccentric) | 40 | 2901386 | 2 | Jam Nut, M12-1.75 |
| | | | | 41 | 4600248 | 4 | Roller Assembly w/Bearing |

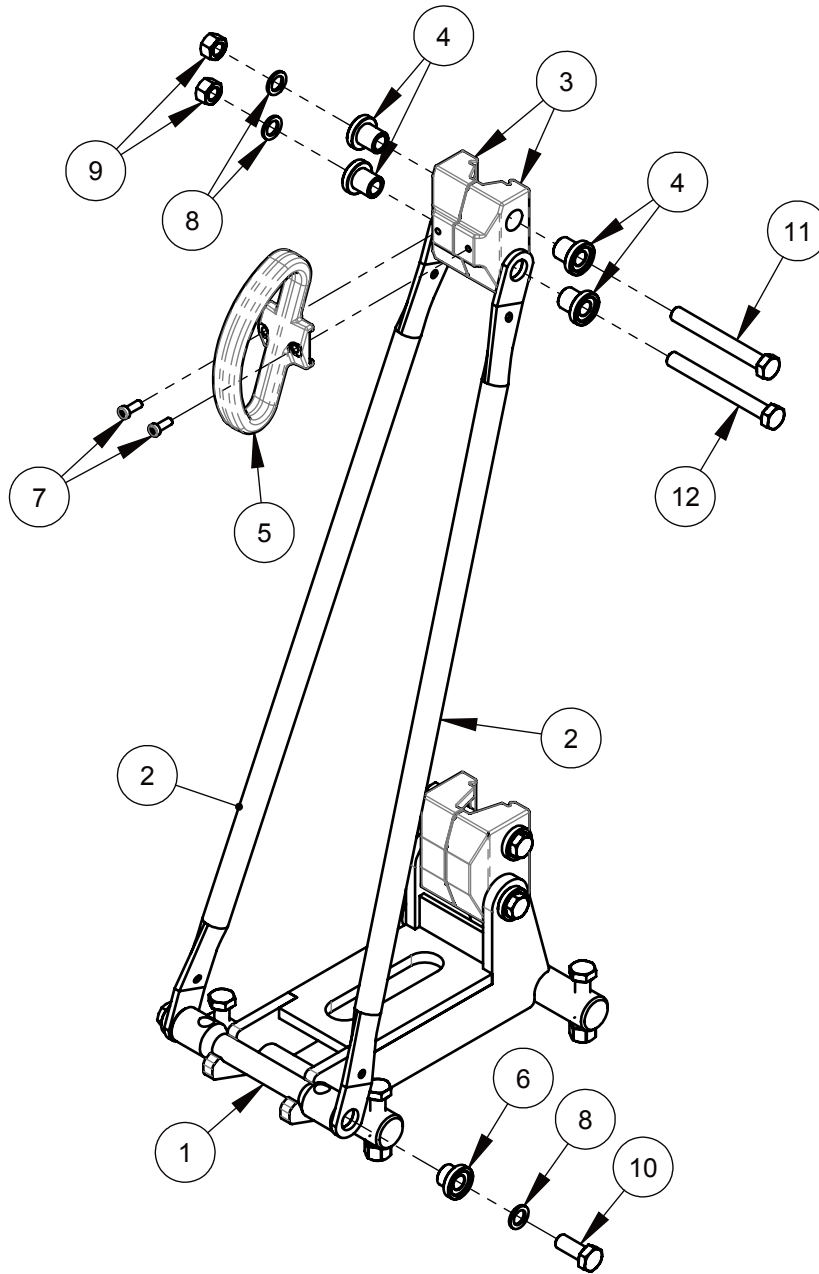
M-5 Pro Combo Base Assembly #4600190



M-5 Pro Combo Base Assembly #4600190

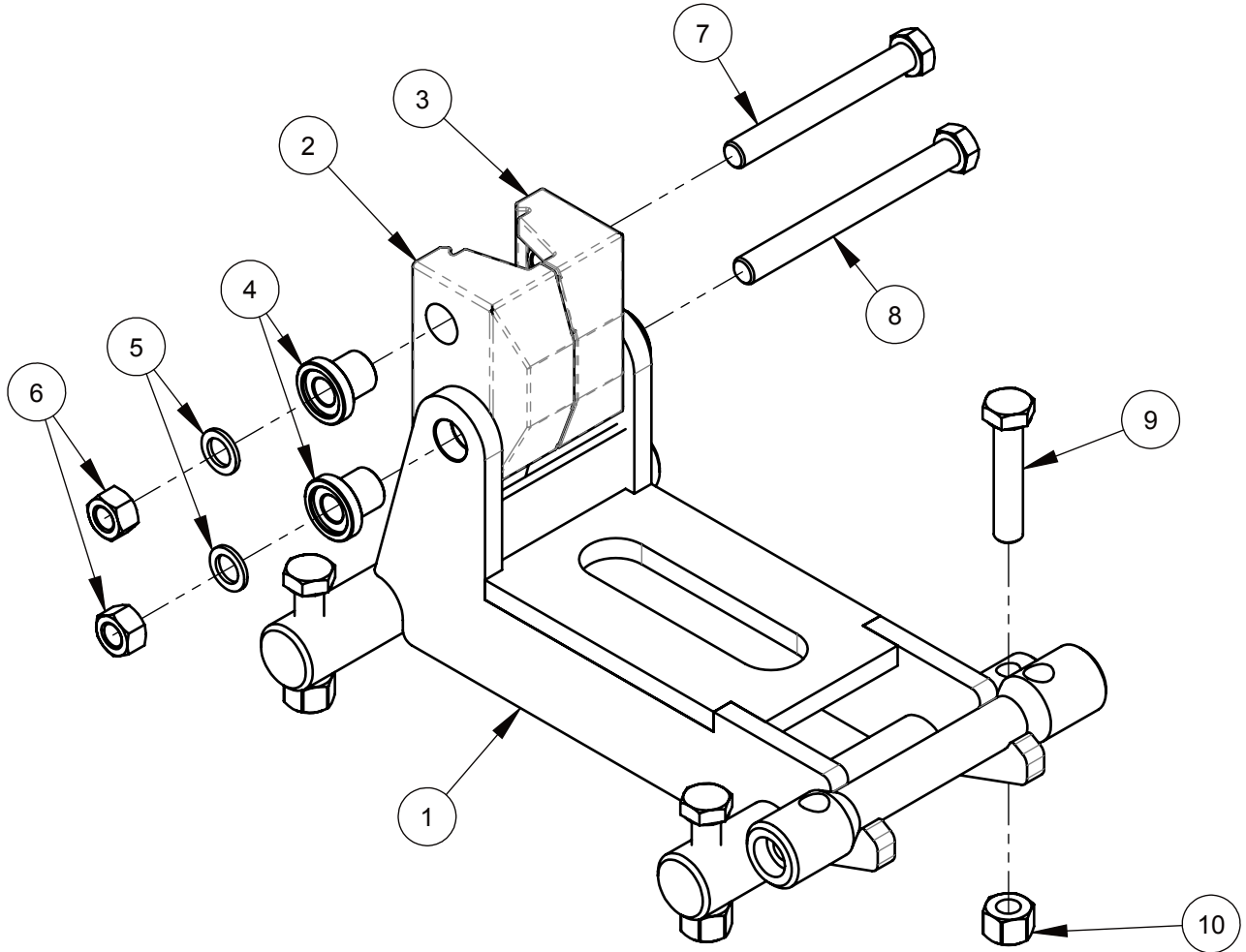
| ITEM | PART NO. | QTY. | DESCRIPTION |
|------|----------|------|-------------------------------------|
| 1 | 4600210 | 1 | M-5 Pro Combo Base |
| 2 | 2900541 | 4 | Tap Bolt, Hex Hd., 1/2-13 x 2-3/4" |
| 3 | 4600015 | 1 | Base Handle |
| 4 | 2900247 | 2 | Cap Screw, Soc. Hd., 1/4-20 x 3/4" |
| 5 | 2400149 | 1 | Spring, 1" Long |
| 6 | 4600022 | 1 | Vacuum Release Valve |
| 7 | 4600120 | 1 | Vacuum Pump Platform |
| 8 | 2900087 | 4 | Cap Screw, Soc. Hd., #10-32 x 5/8" |
| 9 | 2900016 | 4 | Flat Washer, #10 USS |
| 10 | 2900086 | 1 | Cap Screw, Hex Hd., 1/2-13 x 1" |
| 11 | 2900084 | 6 | Lock Washer, 1/2" Split |
| 12 | 2900058 | 1 | Flat Washer, 1/2" SAE |
| 13 | 4600046 | 1 | Slot Cap Assembly |
| 14 | 4600207 | 1 | Mast Support Clamp |
| 15 | 2400139 | 4 | Clamping Bushing |
| 16 | 2400140 | 6 | Tension Bushing |
| 17 | 2900509 | 2 | Cap Screw, Hex Hd., 1/2-13 x 4" |
| 18 | 2900395 | 2 | Cap Screw, Hex Hd., 1/2-13 x 5" |
| 19 | 2900037 | 4 | Hex Nut, 1/2-13 |
| 20 | 4600209 | 1 | Stop Bar |
| 21 | 2900243 | 2 | Cap Screw, Soc. Hd., M8-1.25 x 20mm |
| 22 | 4600107 | 2 | Angle Brace Tube |
| 23 | 4600208 | 1 | Mast Sliding Clamp |
| 24 | 2900129 | 1 | Jam Nut, 1/2-13 |
| 25 | 2900139 | 2 | Cap Screw, Hex Hd., 1/2-13 x 1-3/4" |
| 26 | 4600132 | 1 | Vacuum Gasket |
| 27 | 4600211 | 1 | Mount Bar, Control Panel |

M-5 Pro Anchor Base Assembly #4600191



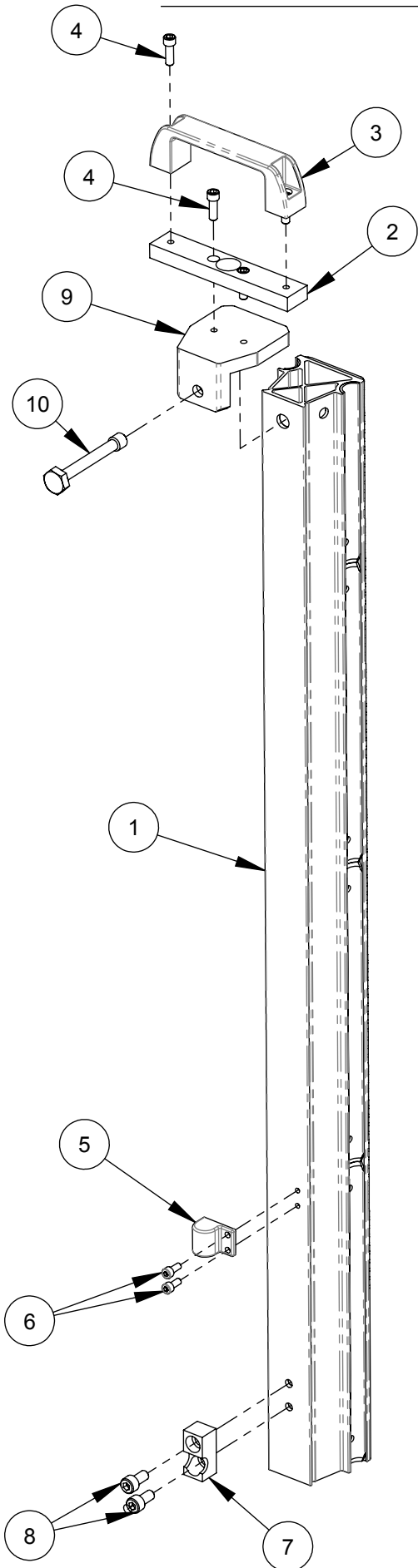
| ITEM | PART NO. | QTY. | DESCRIPTION |
|------|----------|------|---------------------------------------|
| 1 | 4600199 | 1 | Anchor Base w/Hardware |
| 2 | 4600265 | 2 | Angle Brace |
| 3 | 3403288 | 2 | Locking Clamp |
| 4 | 4600268 | 4 | Tension Bushing |
| 5 | 4600264 | 1 | Handle |
| 6 | 4600270 | 2 | Bushing, for M12 Screw |
| 7 | 3400709 | 2 | Cap Screw, Soc. Low Hd. , M6 x 16mm |
| 8 | 3403010 | 4 | Washer, M12 20/13/2mm |
| 9 | 2900482 | 2 | Hex Nut, M12-1.75 |
| 10 | 2900330 | 2 | Cap Screw, Hex Hd., M12 x 1.75 x 30mm |
| 11 | 2900347 | 1 | Cap Screw, Hex Hd., M12-1.75 x 100mm |
| 12 | 2900348 | 1 | Cap Screw, Hex Hd., M12-1.75 x 110mm |

M-5 Pro Anchor Base Assembly #4600199



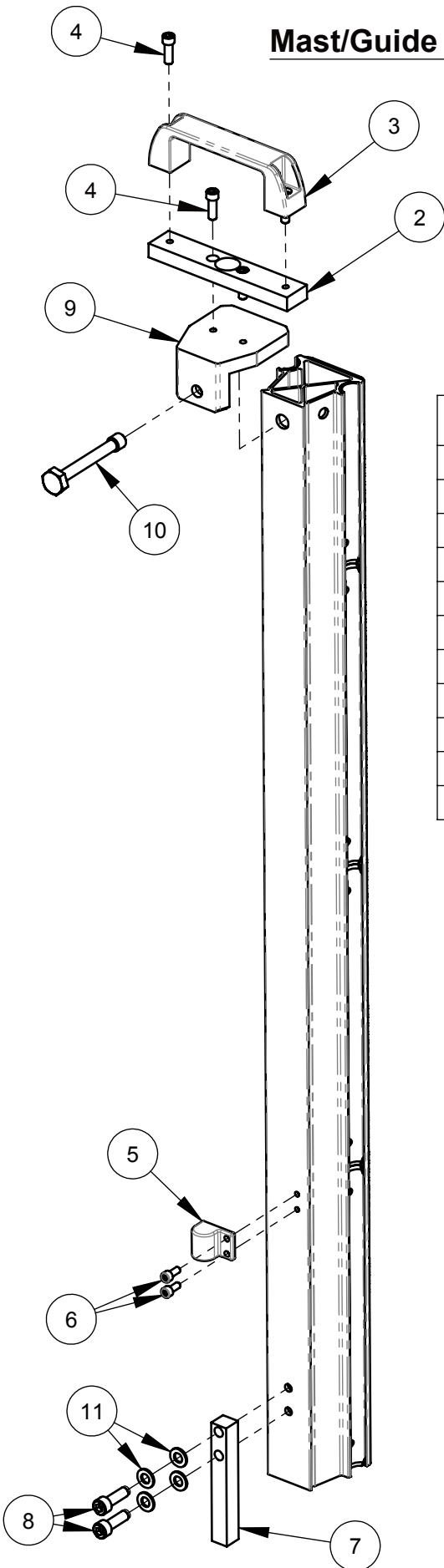
| ITEM | PART NO. | QTY. | DESCRIPTION |
|------|----------|------|--------------------------------------|
| 1 | 4600269 | 1 | Anchor Base |
| 2 | 4600266 | 1 | Tensioning Block-Left |
| 3 | 4600267 | 1 | Tensioning Block-Right |
| 4 | 4600268 | 4 | Tension Bushing |
| 5 | 3403010 | 2 | Washer, M12 20/13/2mm |
| 6 | 2900482 | 2 | Hex Nut, M12-1.75 |
| 7 | 2900347 | 1 | Cap Screw, Hex Hd., M12-1.75 x 100mm |
| 8 | 2901390 | 1 | Cap Screw, Hex Hd., M12-1.75 x 120mm |
| 9 | 3402058 | 4 | Cap Screw, Hex Hd., M12-1.75 x 60mm |
| 10 | 4600275 | 4 | Hex Cap Nut, M12-1.75 |

M-5 Pro Rig Mast/Guide Track Assembly for Combination Base #4600224



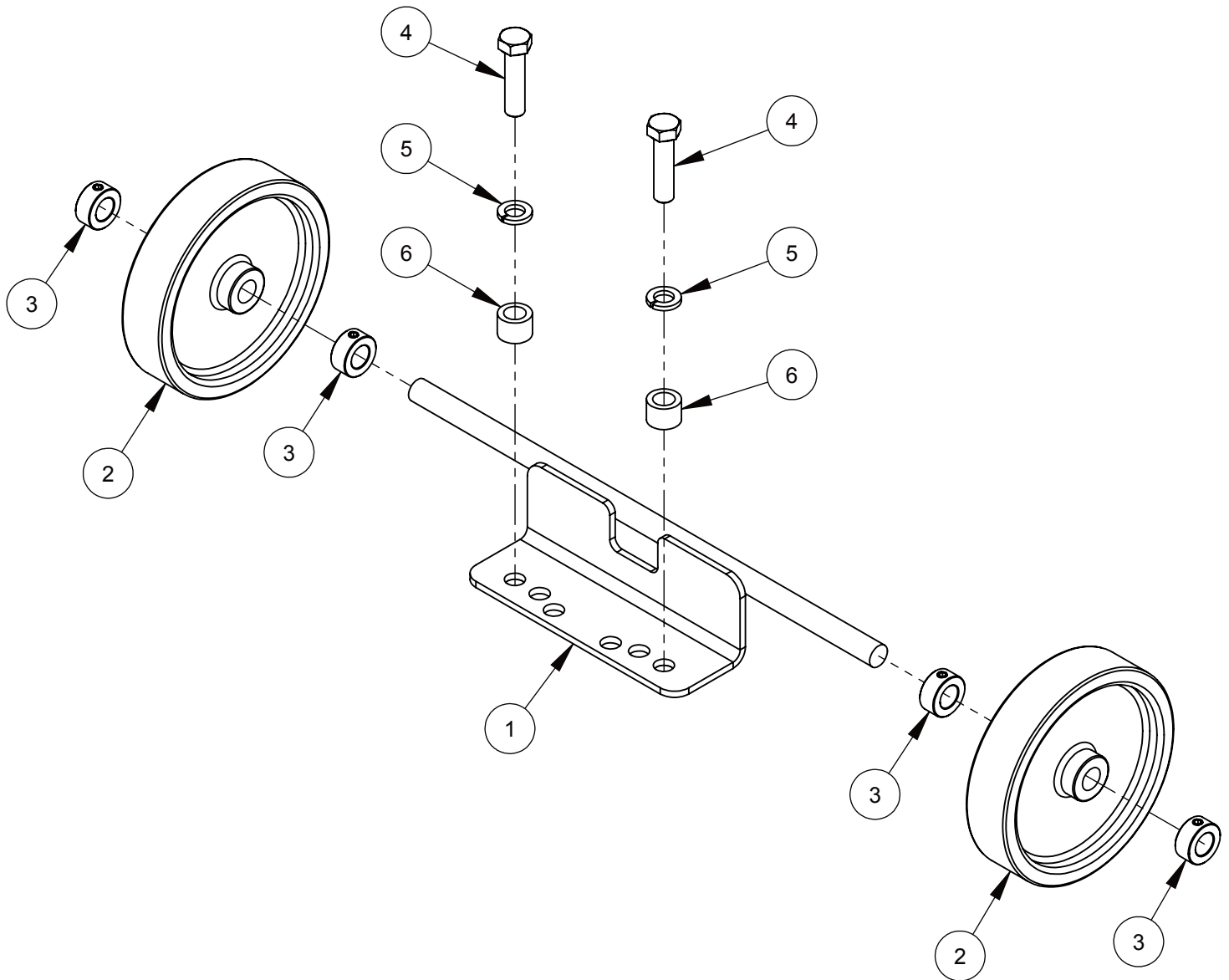
| ITEM | PART NO. | QTY. | DESCRIPTION |
|------|----------|------|-----------------------------------------|
| 1 | 4600217 | 1 | Guide Track/Mast |
| 2 | 4600105 | 1 | Handle Plate |
| 3 | 2400145 | 1 | Mast Handle |
| 4 | 2900247 | 4 | Cap Screw, Soc. Hd., 1/4-20 x 3/4" |
| 5 | 4600219 | 1 | Water Level |
| 6 | 3401858 | 2 | Cap Screw, Socket Head, M5 x 0.8 x 12mm |
| 7 | 4600212 | 1 | Stop Block |
| 8 | 2900267 | 2 | Cap Screw, Soc. Hd., M8-1.25 x 16mm |
| 9 | 4600223 | 1 | Cover/End Cap, Machined |
| 10 | 4600222 | 1 | Captive Screw |

M-5 Pro Rig Mast/Guide Track Assembly for Anchor Base #4600225



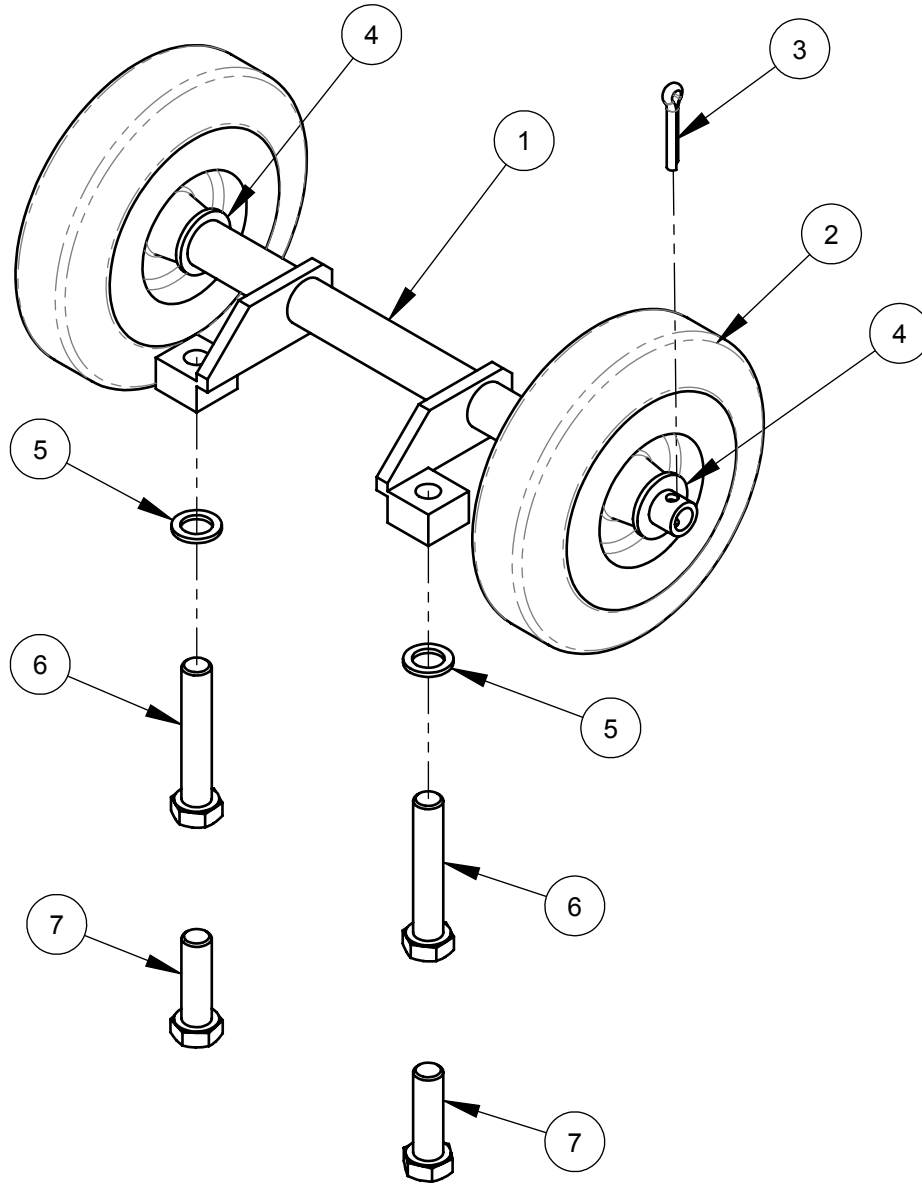
| ITEM | PART NO. | Standard/ QTY. | DESCRIPTION |
|------|----------|-------------------|-----------------------------------------|
| 1 | 4600217 | 1 | Guide Track/Mast |
| 2 | 4600105 | 1 | Handle Plate |
| 3 | 2400145 | 1 | Mast Handle |
| 4 | 2900247 | 4 | Cap Screw, Soc. Hd., 1/4-20 x 3/4" |
| 5 | 4600219 | 1 | Water Level |
| 6 | 3401858 | 2 | Cap Screw, Socket Head, M5 x 0.8 x 12mm |
| 7 | 4600220 | 1 | End Stop, M-5 Pro Mast |
| 8 | 2900161 | 2 | Cap Screw, Soc. Hd., M8-1.25 x 25mm |
| 9 | 4600223 | 1 | Cover/End Cap, Machined |
| 10 | 4600222 | 1 | Captive Screw |
| 11 | 2901336 | 4 | Flat Washer, M8 |

Wheel Assembly #4600125 for Combination Base



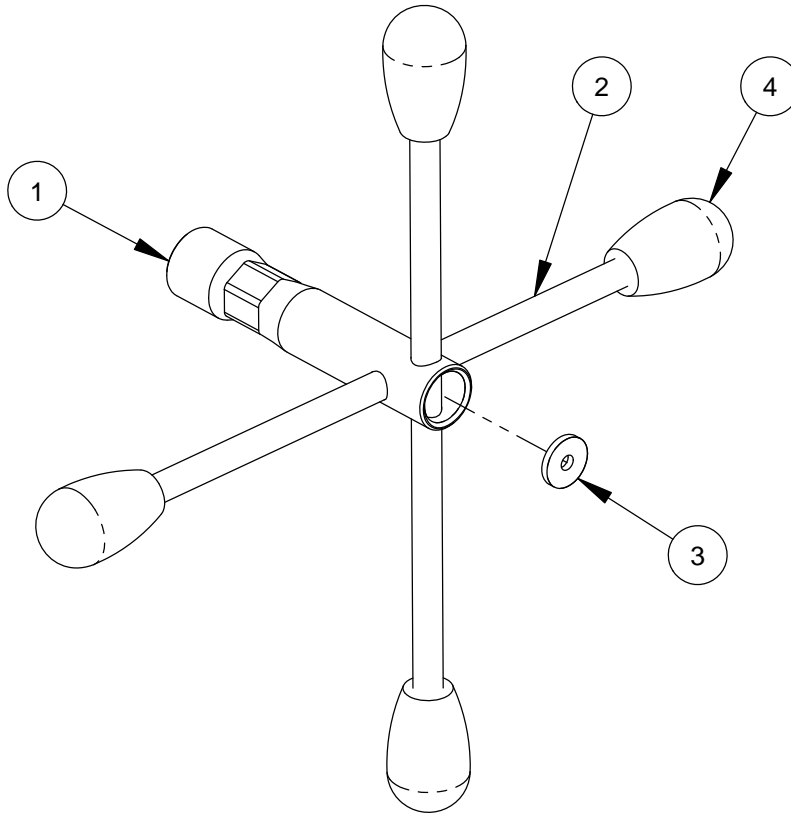
| ITEM | PART NO. | QTY. | DESCRIPTION |
|------|----------|------|---------------------------------|
| 1 | 4646079 | 1 | Wheel Mount Bracket |
| 2 | 2400004 | 2 | Wheel, 6" |
| 3 | 2500008 | 4 | Set Collar, 5/8" with Set Screw |
| 4 | 2900106 | 2 | Cap Screw, Hex Hd., 1/2-13 x 2" |
| 5 | 2900084 | 2 | Lock Washer, 1/2" Split |
| 6 | 4600126 | 2 | Spacer, 5/8" Long |

**Wheel Assembly #3402052 (SK-8, WCH-14)
(M-5 Pro Anchor Base Only)**



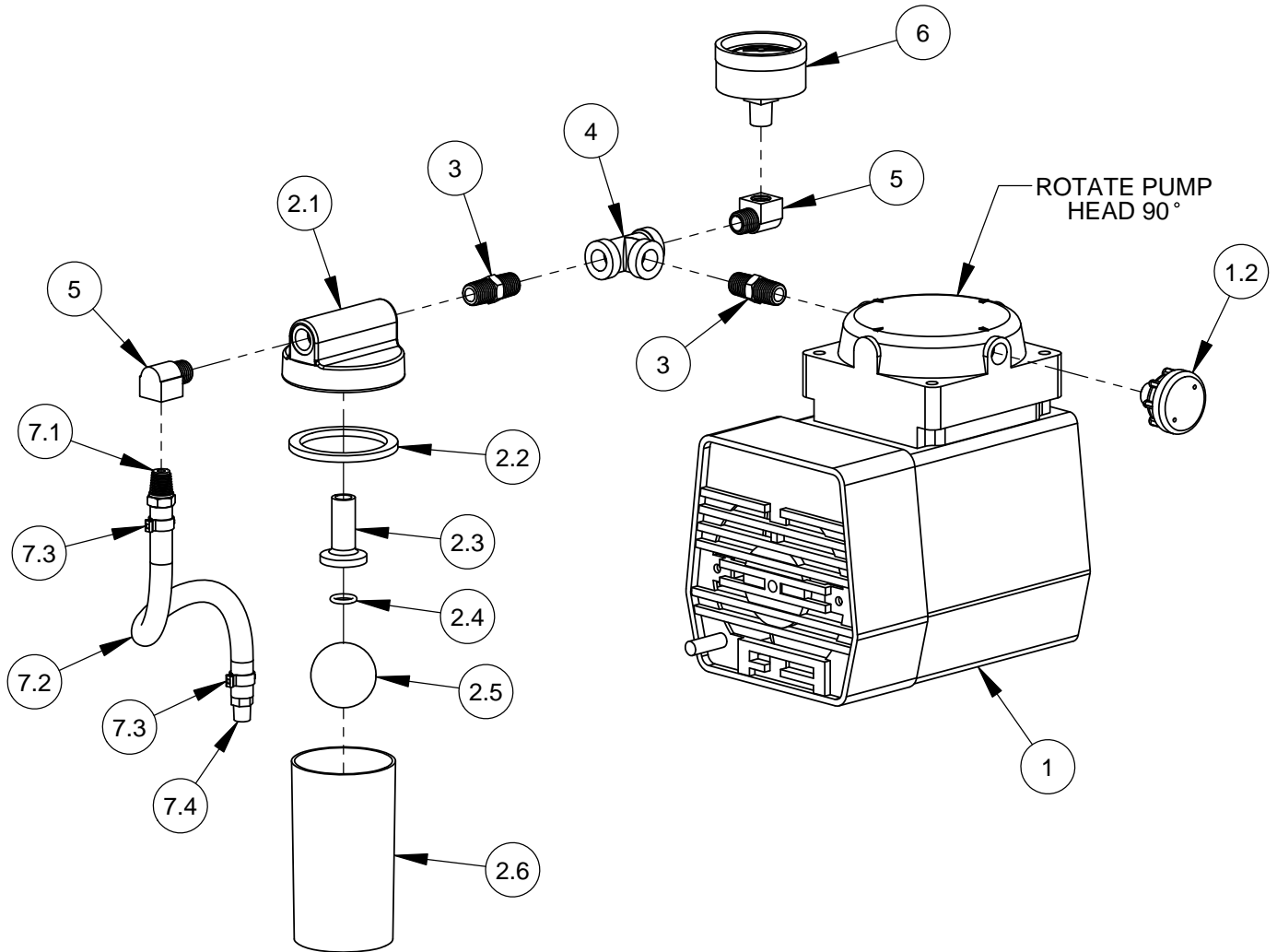
| ITEM | PART NO. | QTY. | DESCRIPTION |
|------|----------|------|-------------------------------------|
| 1 | 4600271 | 1 | Wheel Weldment |
| 2 | 4600272 | 2 | Wheel Rubber, 140/37.5 - 50 |
| 3 | 2900055 | 2 | Cotter Pin, 3/16" x 1" |
| 4 | 2900326 | 4 | Flat Washer, M14 |
| 5 | 3403010 | 2 | Washer, M12 20/13/2mm |
| 6 | 2900359 | 2 | Tap Screw, Hex Hd., M12-1.75 x 65mm |
| 7 | 2900331 | 2 | Cap Screw, Hex Hd., M12-1.75 x 40mm |

M-5 Pro Rig
Manual Crank Assembly #4600202



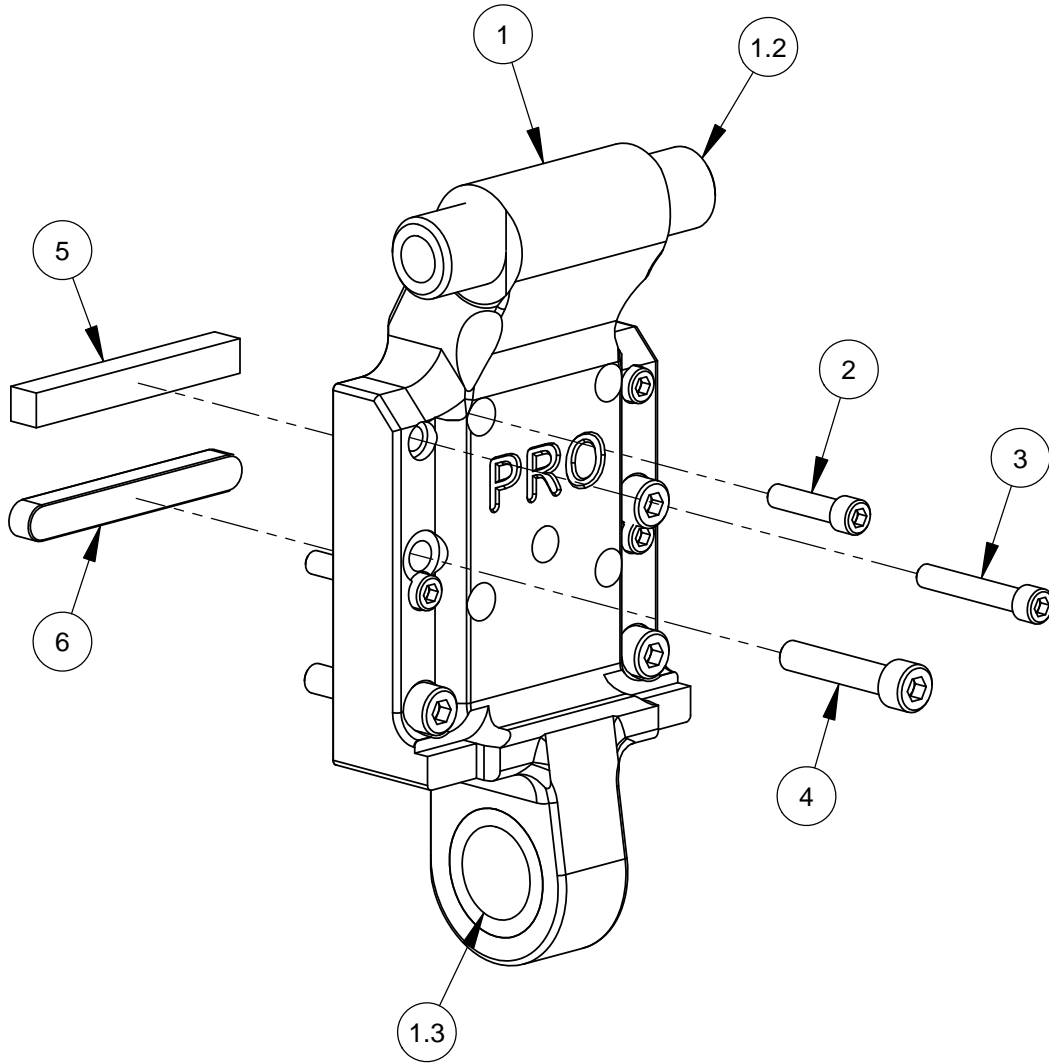
| ITEM | PART NO. | QTY. | DESCRIPTION |
|------|----------|------|--------------------------|
| 1 | 4600213 | 1 | Crank Pin |
| 2 | 4600214 | 2 | Driving Rod, Long |
| 3 | 4600216 | 1 | Friction Piece |
| 4 | 4600215 | 4 | Crank Pin Knob, Diam. 12 |

Vacuum Pump Assembly (115 Volt) #4244090



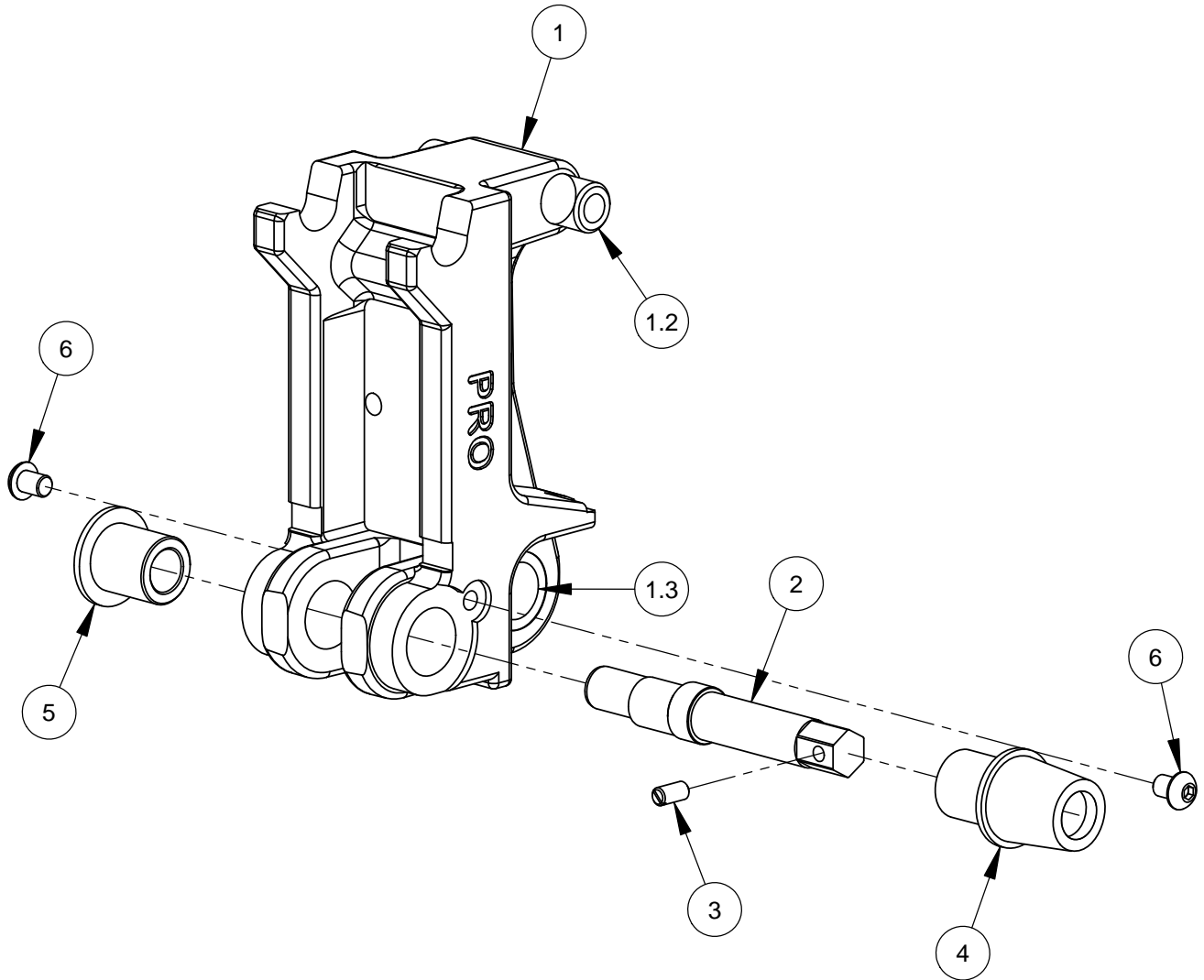
| ITEM | PART NO. | QTY. | DESCRIPTION |
|------|----------|------|-----------------------------------------|
| 1 | 2600016 | 1 | Vacuum Pump (110 Volt) |
| 1.2 | 2700168 | 1 | Muffler |
| 2 | 2700171 | 1 | Water Jar Assembly |
| 2.1 | 2700014 | 1 | Water Jar Lid |
| 2.2 | 2700017 | 1 | Water Jar Gasket |
| 2.3 | 2700015 | 1 | Funnel Fitting |
| 2.4 | 2700016 | 1 | O-Ring |
| 2.5 | 2700172 | 1 | Float Ball |
| 2.6 | 2700170 | 1 | Water Trap Jar |
| 3 | 3200060 | 2 | Hex Nipple, 1/4" NPT |
| 4 | 3200010 | 1 | Pipe Tee, 1/4" FPT |
| 5 | 3200012 | 2 | Street Elbow, 1/4" NPT |
| 6 | 2700164 | 1 | Gauge, Vacuum |
| 7 | 4699490 | 1 | Hose Assembly |
| 7.1 | 3200019 | 1 | Fitting, 1/4" M. Pipe to 1/4" Hose Barb |
| 7.2 | 4699430 | 1 | Air Hose, 9-1/4" Long |
| 7.3 | 3200017 | 2 | Clamp, Pinch On |
| 7.4 | 3200018 | 1 | Fitting, 1/8" M. Pipe to 1/4" Hose Barb |

QD Motor Mount Assembly #4600204



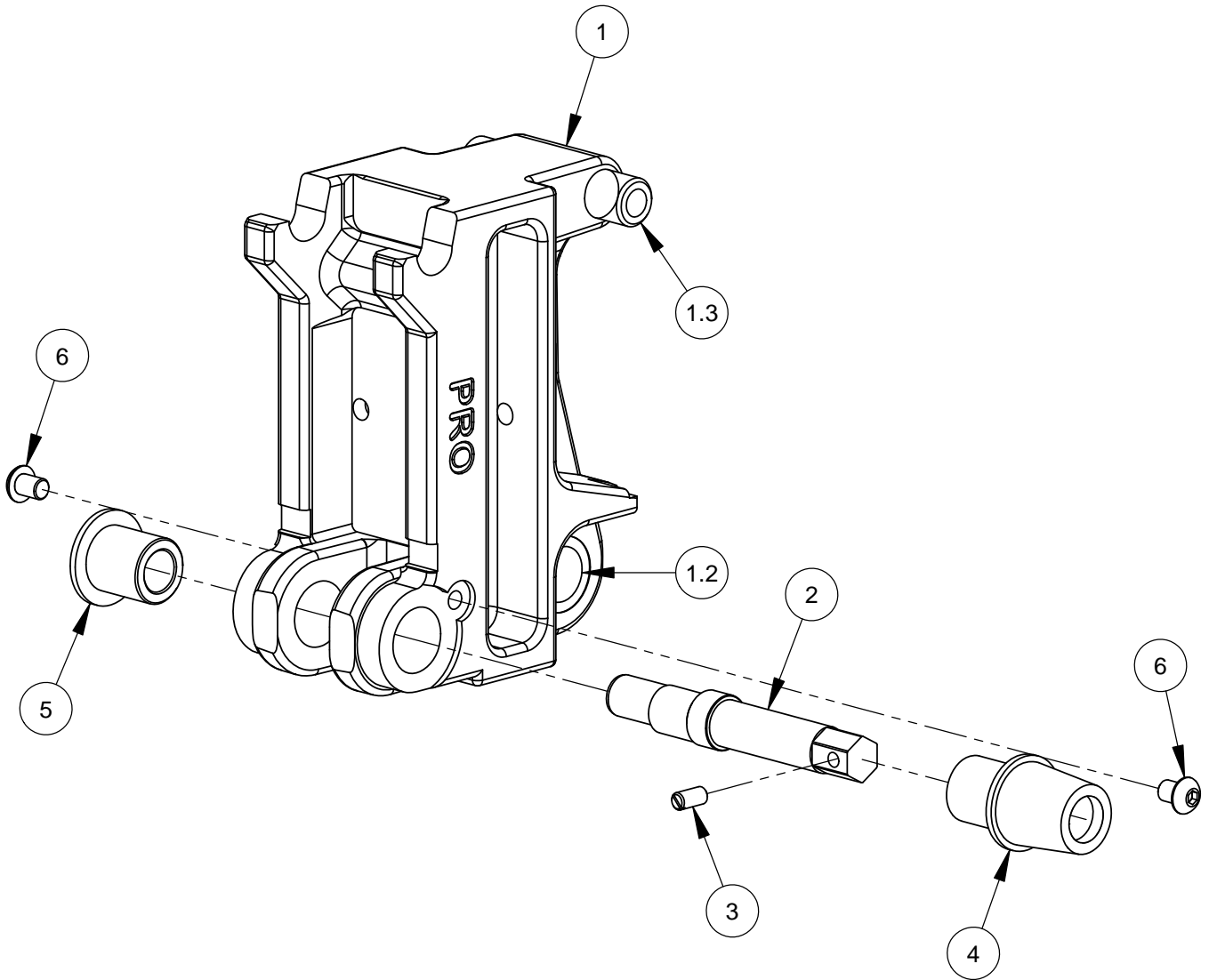
| ITEM | PART NO. | QTY. | DESCRIPTION |
|------|----------|------|-------------------------------------|
| 1 | 4600205 | 1 | QD Motor Mount |
| 1.2 | 4600111 | 1 | Support Tube |
| 1.3 | 2400144 | 1 | Bronze Bearing, 1-3/8" x 1" |
| 2 | 2900089 | 4 | Cap Screw, Soc. Hd., 1/4-28 x 1" |
| 3 | 2900399 | 4 | Cap Srew, Soc Hd., 1/4-20 x 1-1/2" |
| 4 | 2900398 | 4 | Cap Screw, Soc. Hd., M8-1.25 x 40mm |
| 5 | 4600131 | 1 | Key, 3/8" Sq. x 3" |
| 6 | 2900397 | 1 | Parallel Key, 10mm x 8mm x 80mm |

QD Outrigger Assembly #4400252



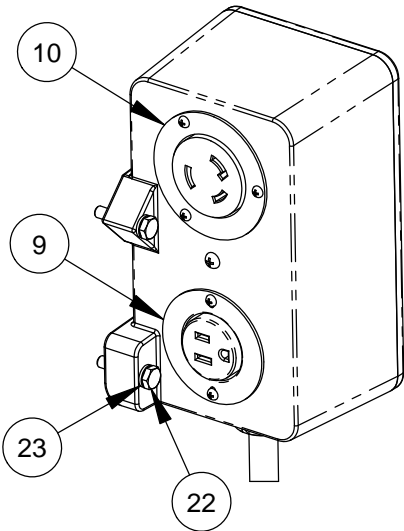
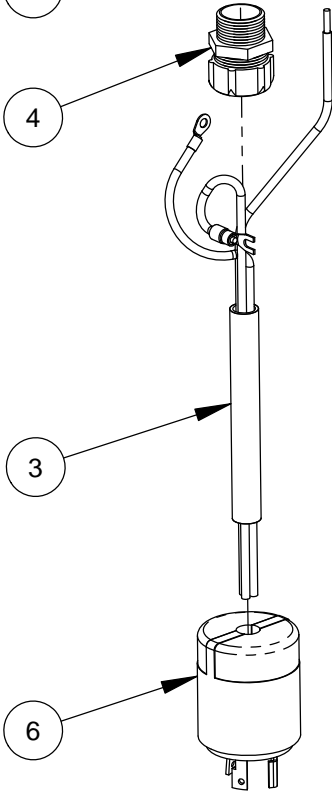
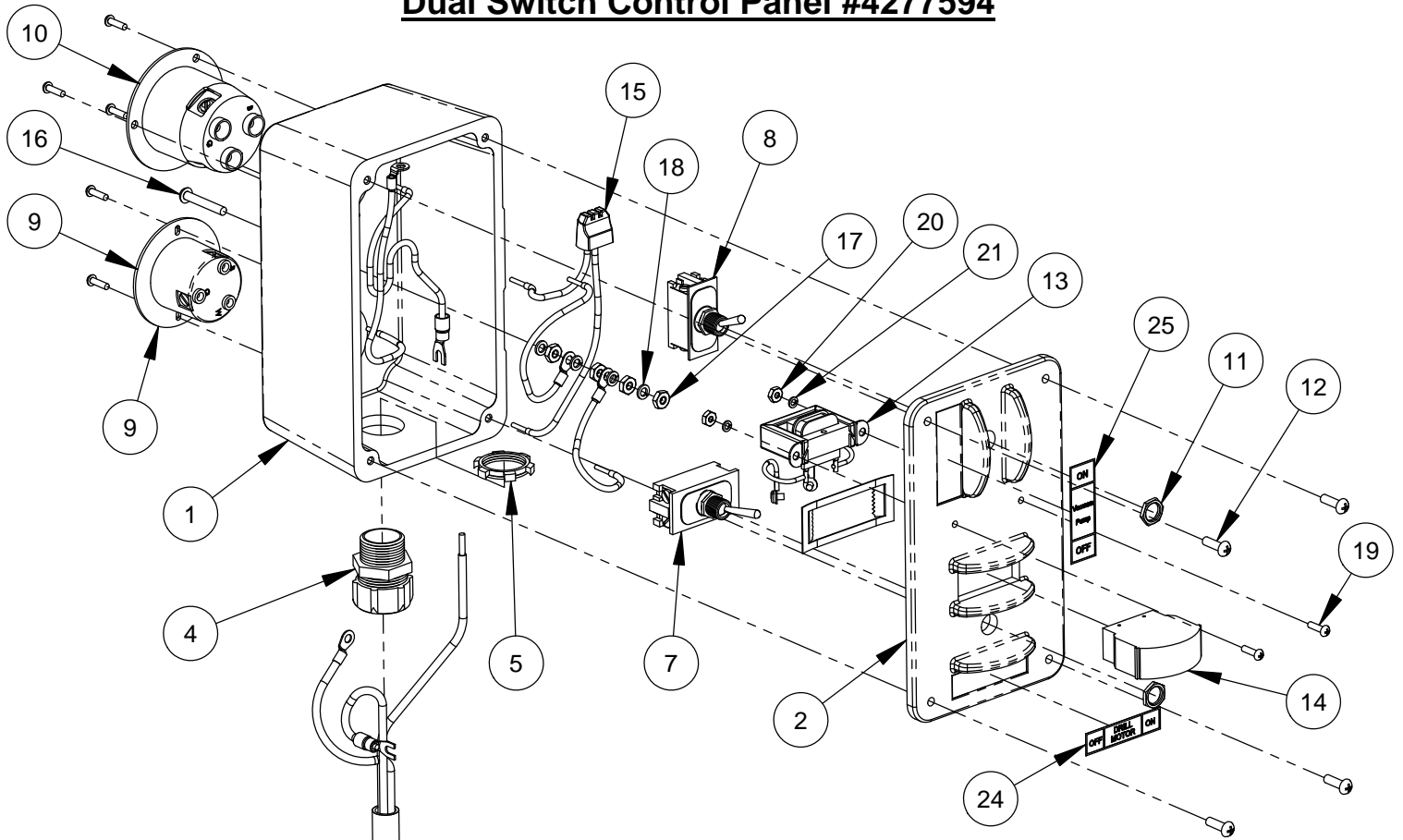
| ITEM | PART NO. | QTY. | DESCRIPTION |
|------|----------|------|--------------------------------------|
| 1 | 4400254 | 1 | QD Outrigger |
| 1.2 | 4600111 | 1 | Support Tube |
| 1.3 | 2400144 | 1 | Bronze Bearing, 1-3/8" x 1" |
| 2 | 4600108 | 1 | Cam Lock Shaft |
| 3 | 2400143 | 1 | Ball Plunger M8 |
| 4 | 4600109 | 1 | Cam Shaft Housing |
| 5 | 4600110 | 1 | Cam Shaft Bushing |
| 6 | 2900285 | 2 | Cap Screw, Button Hd., 3/8-24 x 1/2" |

QD Outrigger Assembly #4400253



| ITEM | PART NO. | QTY. | DESCRIPTION |
|------|----------|------|--------------------------------------|
| 1 | 4400255 | 1 | QD Outrigger |
| 1.2 | 2400144 | 1 | Bronze Bearing, 1-3/8" x 1" |
| 1.3 | 4600111 | 1 | Support Tube |
| 2 | 4600108 | 1 | Cam Lock Shaft |
| 3 | 2400143 | 1 | Ball Plunger M8 |
| 4 | 4600109 | 1 | Cam Shaft Housing |
| 5 | 4600110 | 1 | Cam Shaft Bushing |
| 6 | 2900285 | 2 | Cap Screw, Button Hd., 3/8-24 x 1/2" |

Dual Switch Control Panel #4277594



| ITEM | PART NO. | QTY. | DESCRIPTION |
|------|----------|------|--------------------------------------------------|
| 1 | 4699957 | 1 | Control Box, 115V, Milwaukee Motor Only |
| 2 | 4699460 | 1 | Cover Plate, 115 Volt |
| 3 | 4699506 | 1 | Line Cord for 115 Volt |
| 4 | 2800043 | 1 | Connector, 3/4" Cord |
| 5 | 2800050 | 1 | Lock Nut, 3/4" Sealing |
| 6 | 2800023 | 1 | Plug, 125V, 30A, Twist Lock |
| 7 | 2800017 | 1 | Toggle Switch |
| 8 | 2800016 | 1 | Toggle Switch 16A/125V DPST, ON/OFF, Screw Term. |
| 9 | 2800018 | 1 | Flanged Outlet, 15 Amp, 125 Volt |
| 10 | 2800039 | 1 | Flanged Outlet, 30 Amp, 125 Volt |
| 11 | 2900204 | 2 | Nut, Toggle Switch, 15/32"-32 |
| 12 | 2900159 | 4 | Machine Screw, Rd. Hd., #10-24 x 5/8" |
| 13 | 2800085 | 1 | Transformer, 115V |
| 14 | 2800558 | 1 | Amp Meter 115V, 0-30 Amp |
| 15 | 2801800 | 1 | Connector, Push-In 3 Port, 14-10 Ga Wire |
| 16 | 2900172 | 1 | Machine Screw, Rd. Hd., #10-24 x 1-1/4" |
| 17 | 2900050 | 4 | Hex Nut, #10-24 |
| 18 | 2900038 | 4 | Lock Washer, #10 Split |
| 19 | 2900090 | 7 | Machine Screw, Rd. Hd., #6-32 x 1/2" |
| 20 | 2900091 | 2 | Hex Nut, #6-32 |
| 21 | 2900092 | 2 | Lock Washer, #6 Split |
| 22 | 2900052 | 2 | Cap Screw, Hex Hd., 1/4-20 x 1-1/4" |
| 23 | 2900024 | 2 | Lock Washer, 1/4" Split |
| 24 | 1800253 | 1 | ON/OFF Drill Motor Label |
| 25 | 1800254 | 1 | ON/OFF Vacuum Pump Label |

EQUIPMENT AND PARTS WARRANTY

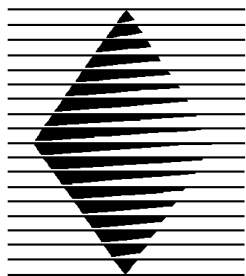
Diamond Products warrants all equipment manufactured by it against defects in workmanship or materials for a period of one (1) year from the date of shipment to Customer.

The responsibility of Diamond Products under this Warranty is limited to replacement or repair of defective parts at Diamond Products' Elyria, Ohio factory, or at a point designated by it, of such parts as shall appear to us upon inspection at such parts, to have been defective in material or workmanship, with expense for transportation and labor borne by Customer.

In no event shall Diamond Products be liable for consequential or incidental damages arising out of the failure of any Product to operate properly.

Integral units such as engines, electric motors, batteries, transmissions, etc., are excluded from this Warranty and are subject to the prime manufacturer's warranty.

THIS WARRANTY IS IN LIEU OF ALL OTHER WARRANTIES, EXPRESSED OR IMPLIED, AND ALL SUCH OTHER WARRANTIES ARE HEREBY DISCLAIMED.



DIAMOND PRODUCTS

333 Prospect Street, Elyria, Ohio 44035
(440) 323-4616 • (800) 321-5336 • Fax (440) 323-8689
www.diamondproducts.com