

DIAMOND PRODUCTS

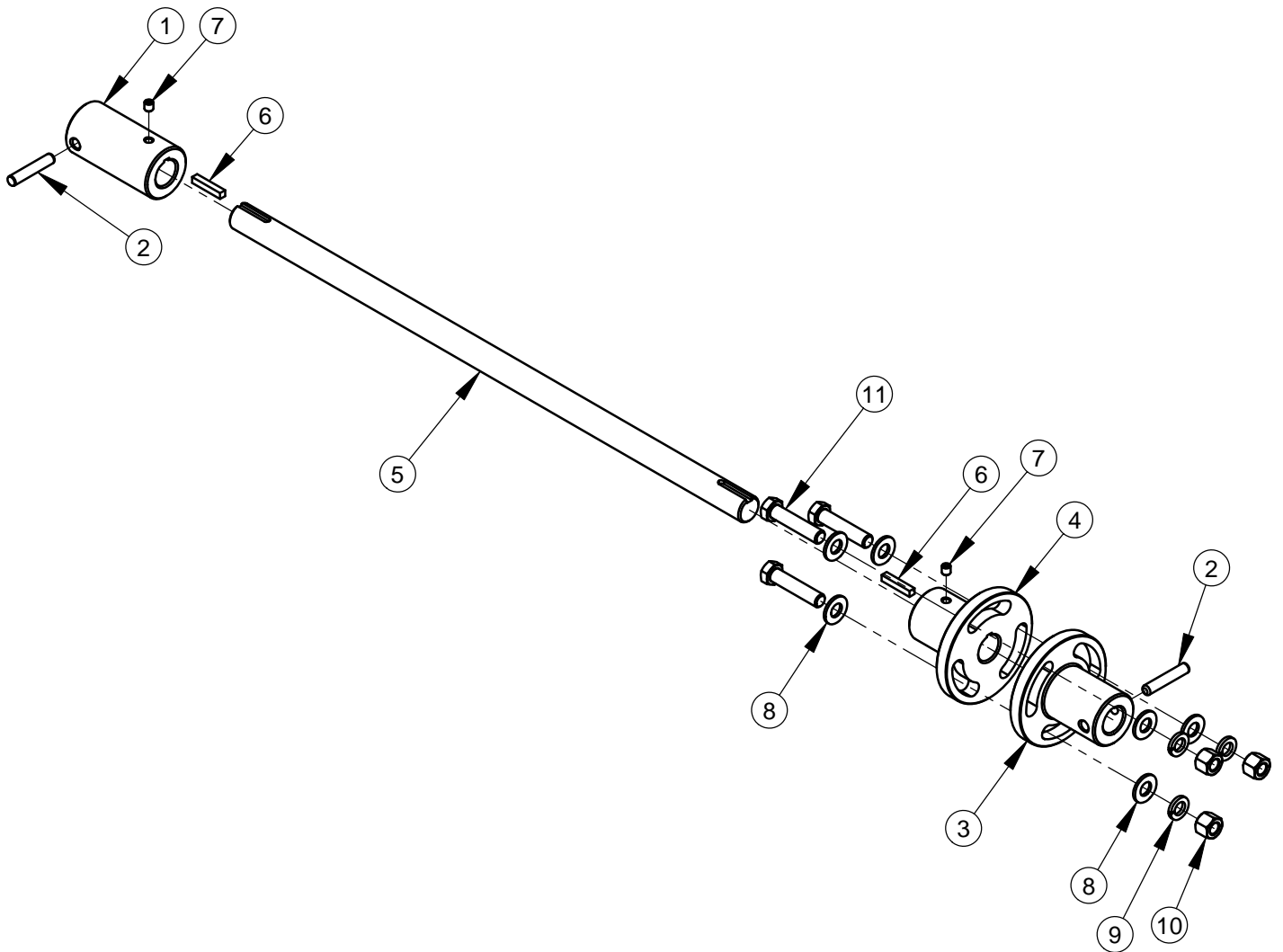
M-2 Tandem Drill Rig
(Part Number 4241300)

Supplemental Parts List

(December 2010)

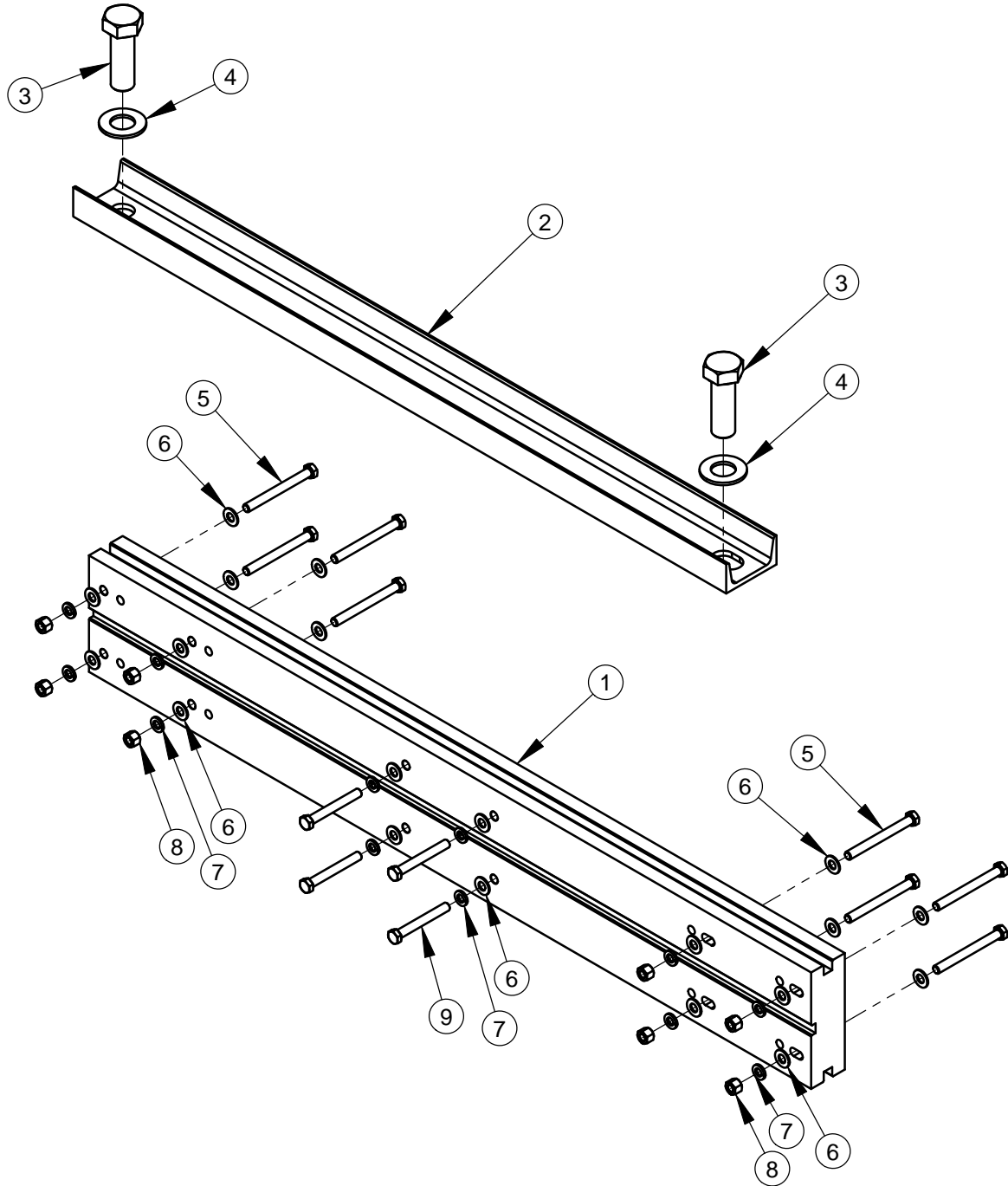
Intentionally Blank

Cross Shaft Assembly #4641149



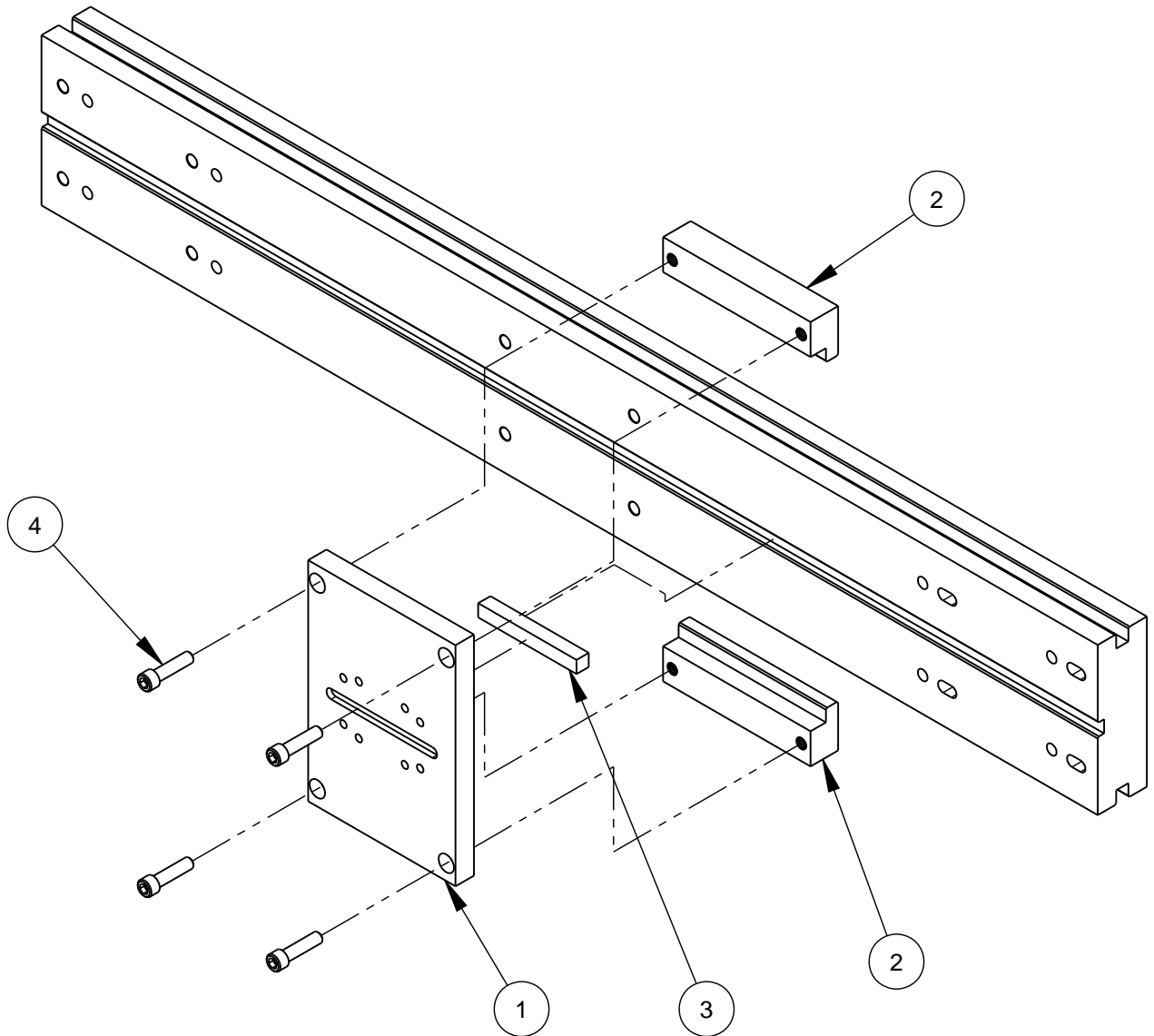
ITEM	PART NO.	QTY.	DESCRIPTION
1	4641140	1	Straight Coupling
2	2900197	2	Dowel Pin, 3/8" Dia. x 2"
3	4641148	1	Flanged Coupling Assembly
4	4641142	1	Flanged Coupling with Keyseat
5	4641141	1	Dual Head Cross Shaft
6	2501538	2	Square Key, 1/4 X 1-3/8"
7	2900142	2	Set Screw, Soc. Hd., 5/16-18 x 3/8"
8	2900058	6	Flat Washer, 1/2" SAE
9	2900084	3	Lock Washer, 1/2" Split
10	2900026	3	Lock Nut, 1/2-13 Nylon
11	2900192	3	Cap Screw, Hex Hd., 1/2-13 x 2-1/4"

Beam and Channel Assembly #4641150



ITEM	PART NO.	QTY.	DESCRIPTION
1	4641145	1	Drill Rig Beam
2	4641144	1	Dual Drive Core Rig Top Channel
3	2900370	2	Cap Screw, Hex Hd., 1-8 x 3"
4	2900295	2	Flat Washer, 1" SAE
5	2900057	8	Cap Screw, Hex Hd., 3/8-16 x 3-3/4"
6	2900014	20	Flat Washer, 3/8" SAE
7	2900006	12	Lock Washer, 3/8" Split
8	2900018	8	Lock Nut, 3/8-16 Nylon
9	2900035	4	Cap Screw, Hex Hd., 3/8-16 x 3"

M2 Multit-Tandem Mount #4241012

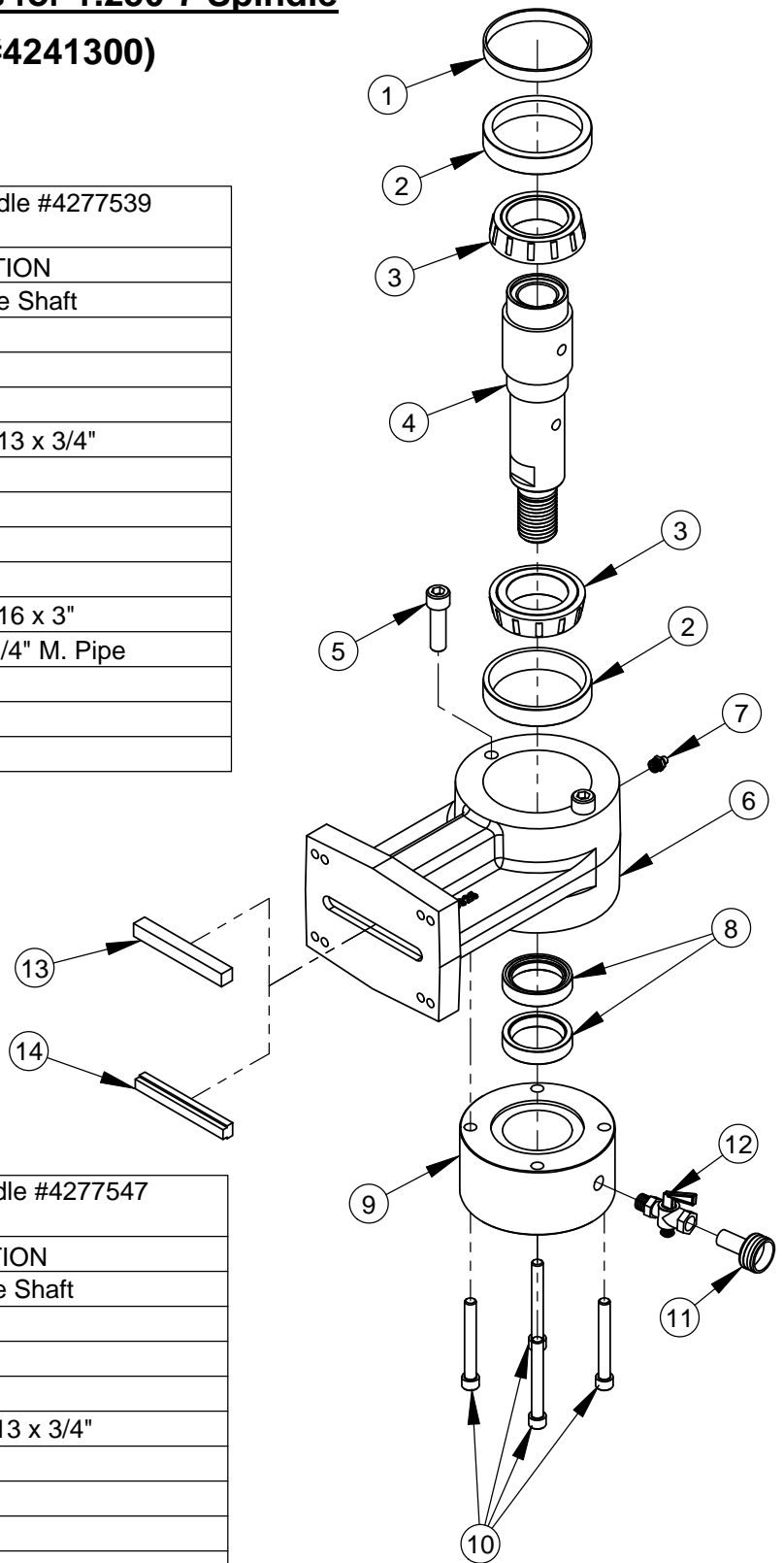


ITEM	PART NO.	QTY.	DESCRIPTION
1	4641038	1	Mount Plate M2 Multi Tandem
2	4641040	2	Mount Hook w/Helicoil M2 Multi Tandem
3	4641010	1	Key, 1/2" Sq. x 4" Long
4	2900357	4	Cap Screw, Soc. Hd., 3/8-16 x 1-1/2"

Hydraulic Pillow Block Assemblies for 1.250-7 Spindle

(Not Included in Part #4241300)

Hydraulic Pillow Block Assembly for 1.250-7 Spindle #4277539 (Char-Lynn Motor)			
ITEM	PART NO.	QTY.	DESCRIPTION
1	4699901	1	Shim For Hydraulic Spindle Shaft
2	2400014	2	Bearing Race
3	2400013	2	Tapered Bearing
4	4699905	1	Spindle Shaft 1.250-7
5	2900119	2	Cap Screw, Soc. Hd., 1/2-13 x 3/4"
6	4699910	1	Hydraulic Pillow Block
7	2900062	1	Grease Fitting, 1/8" NPT
8	2700021	2	Trostel Seal
9	4699920	1	Water Housing
10	2900120	4	Cap Screw, Soc. Hd., 3/8-16 x 3"
11	3200042	1	Fitting, 3/4" F. Garden to 1/4" M. Pipe
12	3200034	1	Petcock, 1/4" MPT - FPT
13	4641010	1	Key, 1/2" Sq. x 4" Long
14	4699922	1	Step Key, 3/8" to 1/2" x 4"



Hydraulic Pillow Block Assembly for 1.250-7 Spindle #4277547 (White Motor)			
ITEM	PART NO.	QTY.	DESCRIPTION
1	4699977	1	Shim For Hydraulic Spindle Shaft
2	2400014	2	Bearing Race
3	2400013	2	Tapered Bearing
4	4699905	1	Spindle Shaft 1.250-7
5	2900119	2	Cap Screw, Soc. Hd., 1/2-13 x 3/4"
6	4699910	1	Hydraulic Pillow Block
7	2900062	1	Grease Fitting, 1/8" NPT
8	2700021	2	Trostel Seal
9	4699920	1	Water Housing
10	2900120	4	Cap Screw, Soc. Hd., 3/8-16 x 3"
11	3200042	1	Fitting, 3/4" F. Garden to 1/4" M. Pipe
12	3200034	1	Petcock, 1/4" MPT - FPT
13	4641010	1	Key, 1/2" Sq. x 4" Long
14	4699922	1	Step Key, 3/8" to 1/2" x 4"

EQUIPMENT AND PARTS WARRANTY

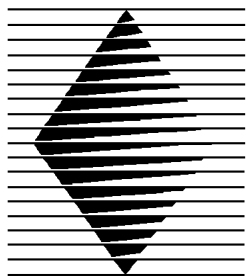
Diamond Products warrants all equipment manufactured by it against defects in workmanship or materials for a period of one (1) year from the date of shipment to Customer.

The responsibility of Diamond Products under this Warranty is limited to replacement or repair of defective parts at Diamond Products' Elyria, Ohio factory, or at a point designated by it, of such parts as shall appear to us upon inspection at such parts, to have been defective in material or workmanship, with expense for transportation and labor borne by Customer.

In no event shall Diamond Products be liable for consequential or incidental damages arising out of the failure of any Product to operate properly.

Integral units such as engines, electric motors, batteries, transmissions, etc., are excluded from this Warranty and are subject to the prime manufacturer's warranty.

THIS WARRANTY IS IN LIEU OF ALL OTHER WARRANTIES, EXPRESSED OR IMPLIED, AND ALL SUCH OTHER WARRANTIES ARE HEREBY DISCLAIMED.



DIAMOND PRODUCTS

333 Prospect Street, Elyria, Ohio 44035
(440) 323-4616 • (800) 321-5336 • Fax (440) 323-8689
www.diamondproducts.com