

DIAMOND

PRODUCTS

FLOOR GRINDER

PARTS LIST

MODEL

CC80

(January 2012)

(Intentionally Blank)

Table of Contents

<u>Description</u>	<u>Page No.</u>
Motor Assembly.....	4-5
Frame Assembly.....	6
Flex Coupling Assembly.....	7
Guard Assembly.....	8
Handle Assembly.....	9
Dust Port Assembly.....	10
Decal Group.....	11
Warranty.....	12

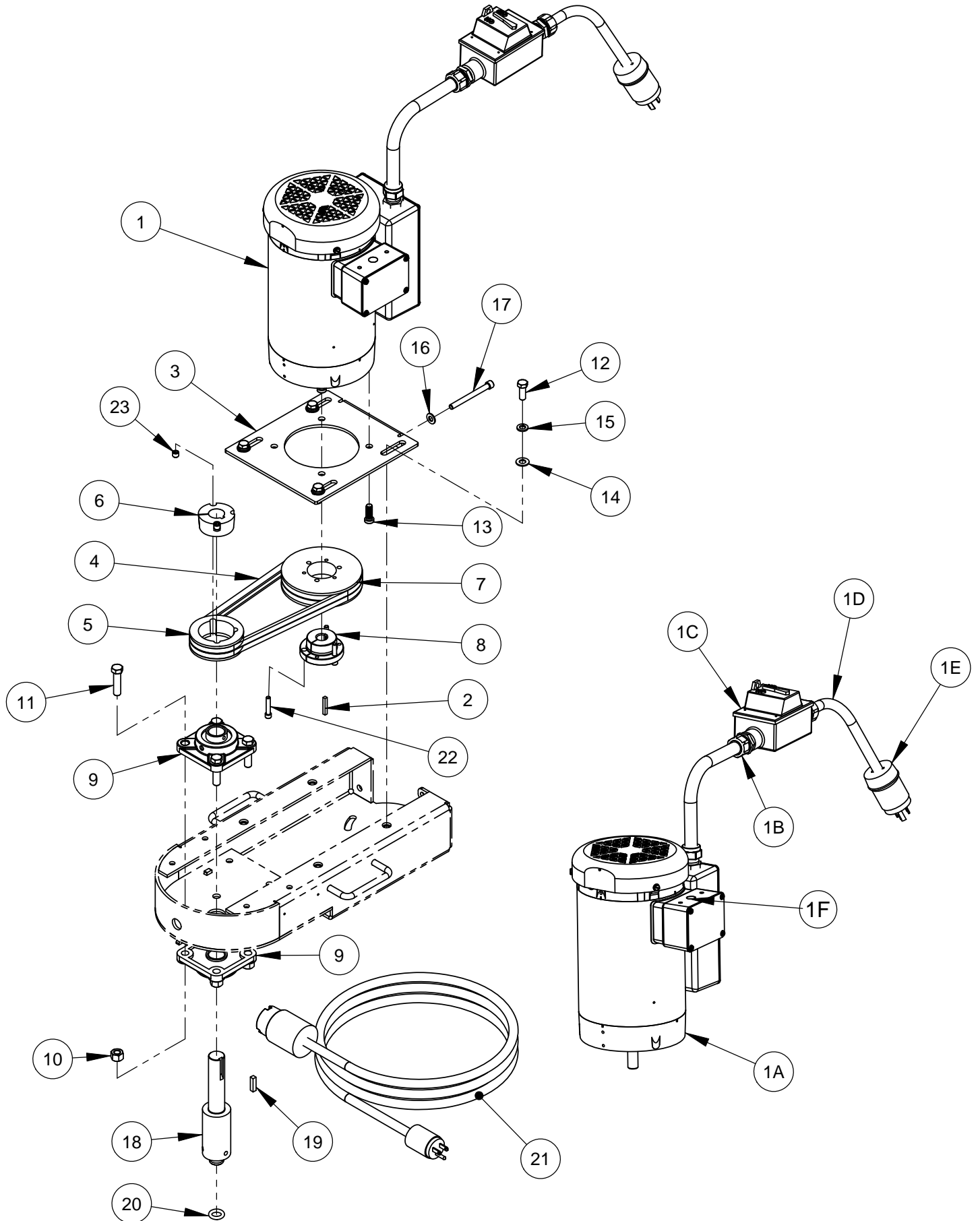
Quick Reference Service Filters/ Belts

<u>DP Part No.</u>	<u>Description</u>	<u>Manufacturer's Part</u>
2500034	V-Belt (2) for Baldor 2HP, 1PH	(Gates #3V315)

Accessories-Floor Grinding Heads

DP Part No.	Size	Description
GHH0809	8"	9 Segment

MOTOR ASSEMBLY: 6040345

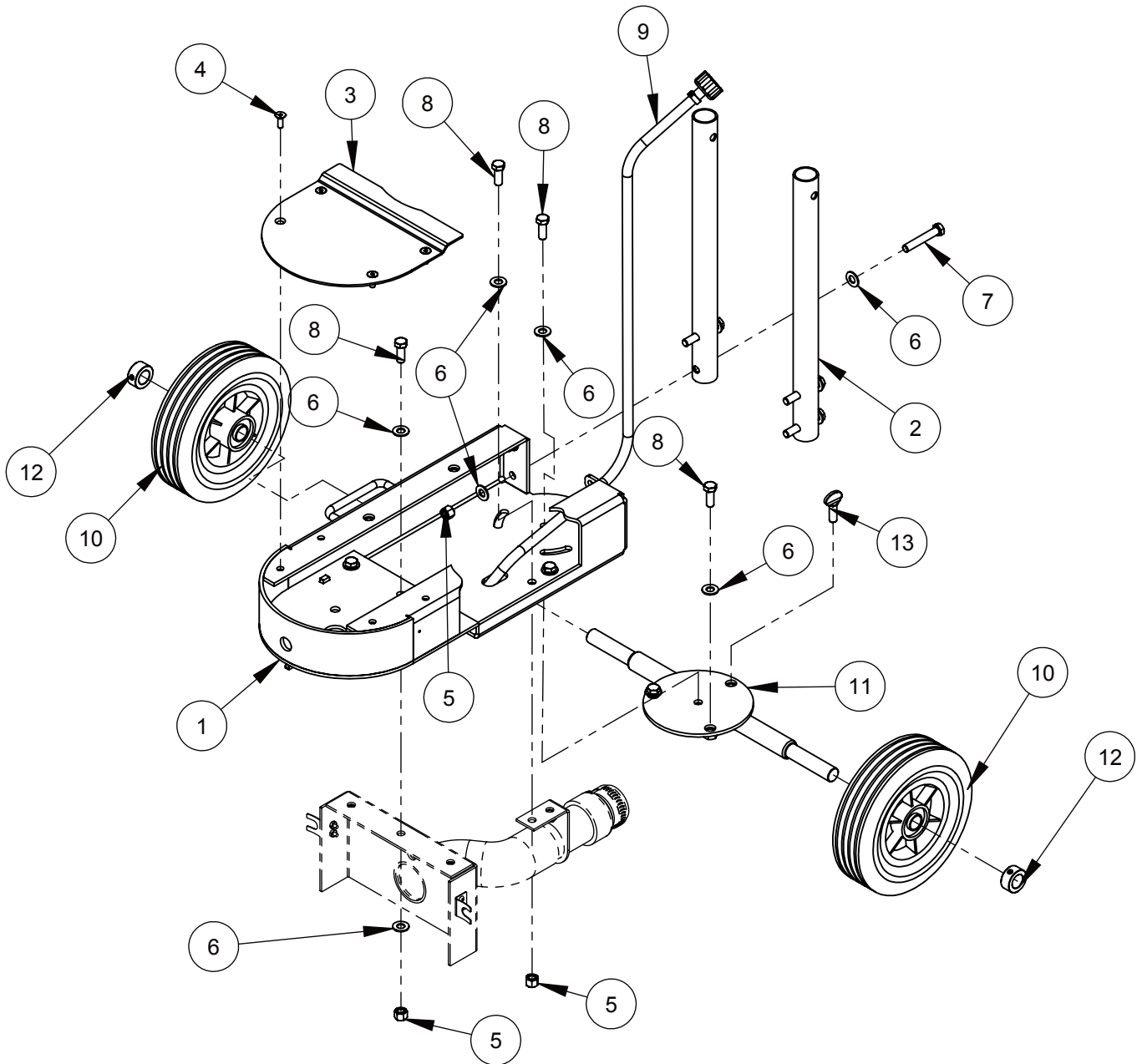


MOTOR ASSEMBLY: 6040345

ITEM	PART NO.	QTY	DESCRIPTION
1	2600594	1	2HP-1 Ph Elec. Motor w/ on/off switch, 20A Plug
2	6048229	1	Key, 3/16" Sq. x 1-1/4"
3	6040532	1	Engine Mounting Plate
4	2500034	2	V-Belt, 3VX315
5	2504694	1	Sheave, 3.35-2 Groove (2-3V-3.35-TB)
6	2500030	1	Taper Bushing, 1" w/ Set Screws
7	2505006	1	Sheave, 5.00-2 Groove (3V500SH)
8	2504699	1	Bushing, 5/8" QD SH
9	2501063	2	Bearing, 4 Bolt Flange, 1" ID
10	2900045	4	Lock Nut, 7/16-14 Nylon
11	2900149	4	Cap Screw, Hex Hd., 7/16-14 x 1-3/4"
12	2900005	4	Cap Screw, Hex Hd., 3/8-16 x 1"
13	2900983	4	Cap Screw, Soc. Low Hd., 3/8-16 x 1"
14	2900014	4	Flat Washer, 3/8" SAE
15	2900006	4	Lock Washer, 3/8" Split
16	2900022	1	Flat Washer, 5/16" SAE
17	2900613	1	Cap Screw, Soc. Hd., 5/16-18 x 3-1/4"
18	6010487	1	Shaft, Grinding Head
19	6011089	1	Key, 1/4" Sq. x 1" Long
20	2503195	1	O-Ring, Metric M5 x 15mm
21	4699100	1	Cord 50' 12GA, 1 15V 20A Twist to 15A Straight
22	2900519	3	Cap Screw, Soc. Hd., 1/4-20 x 1-1/4"
23	2900131	2	Set Screw, Soc. Hd., 3/8-16 x 3/8"

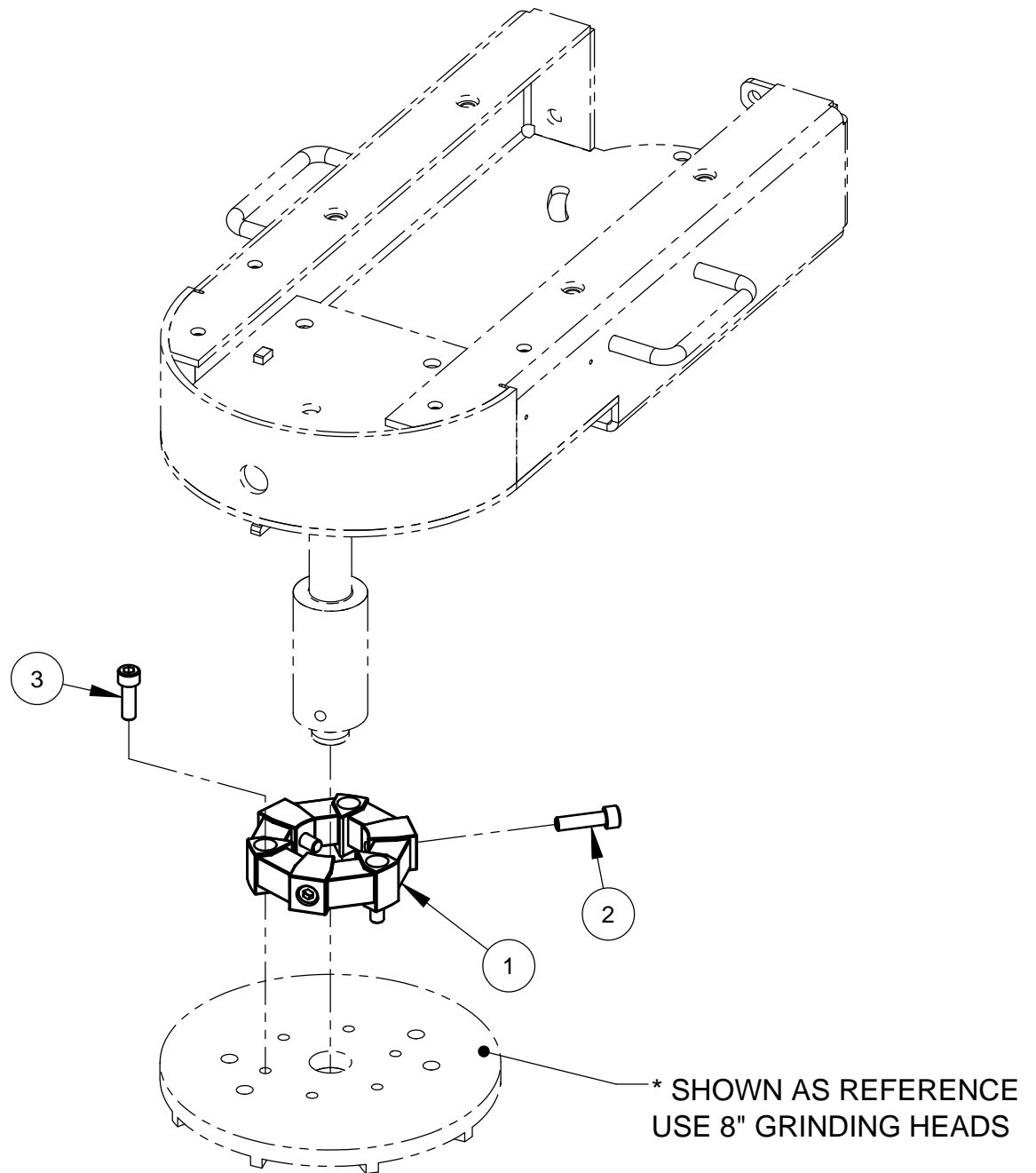
ITEM	PART NO.	QTY	DESCRIPTION
1A	2600271	1	Motor, 2HP-1PH Baldor
1 B	2800043	2	Connector, 3/4" Cord
1C	2800309	1	Switch Box Lid W/Gaskets & Screws
1 D	6040347	1	12/3 Cord W/ 20Amp L5-20P Plug
1 E	2800087	1	Plug, Nema L5-20P, 125VAC-20Amp
1F	2803200	1	Motor Reset Switch

FRAME ASSEMBLY: 6040346



ITEM	PART NO.	QTY	DESCRIPTION
1	6040530	1	Frame Weldment
2	6040536	2	Handle Support
3	6040533	1	Pulley Shield
4	2900020	4	Cap Screw, Flat Hd., 1/4-20 x 3/4"
5	2900018	9	Lock Nut, 3/8-16 Nylon
6	2900014	19	Flat Washer, 3/8" SAE
7	2900079	4	Cap Screw, Hex Hd., 3/8-16 x 2-1/4"
8	2900005	8	Cap Screw, Hex Hd., 3/8-16 x 1"
9	6040299	1	Water Hose Assembly
10	2501439	2	Wheel, 8 x 2 x 3/4"
11	6040542	1	Rear Axle Weldment
12	2400615	2	Set Collar, 3/4"
13	2900500	1	Thumb Screw, 3/8-16 x 1"

FLEX COUPLING ASSEMBLY: 6040368

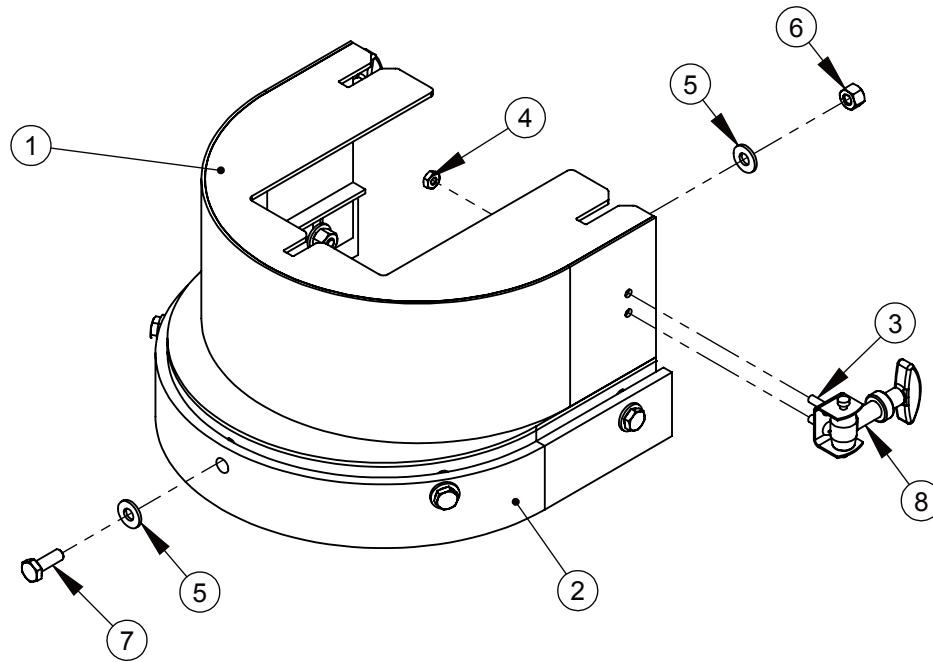


ITEM	PART NO.	QTY.	DESCRIPTION
1	2503196	1	Flex Coupling
2	2900911	3	Cap Screw, Soc. Hd.. M8-1.25 x 30mm
3	2900161	3	Cap Screw, Soc. Hd., M8-1.25 x 25mm

FLEX COUPLING INSTALLATION:

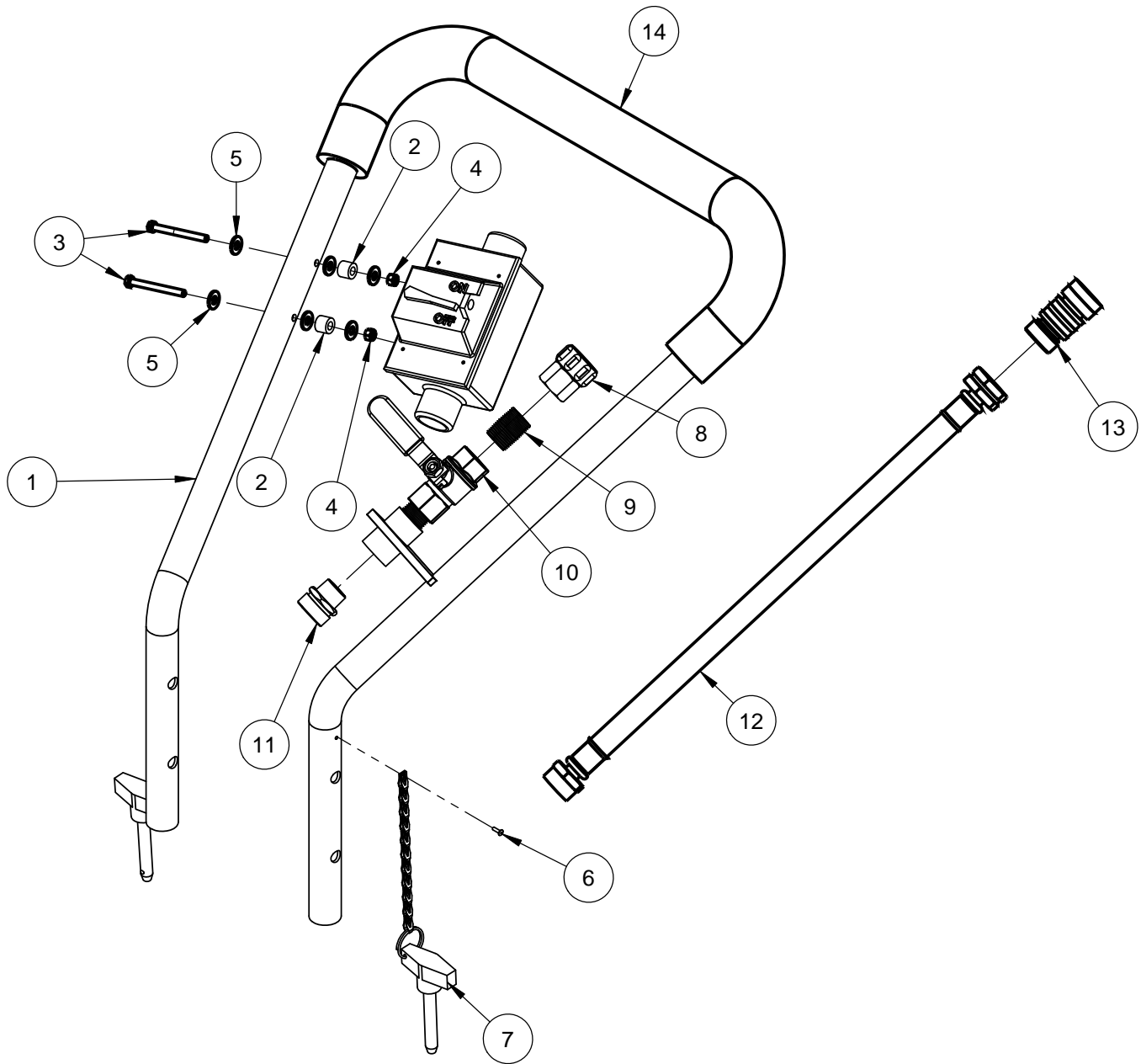
1. INSTALL (3) M8 X 25 CAPSCREW THROUGH COUPLING INTO GRINDING HEAD
2. ATTACH COUPLING/GRINDING HEAD ASSEMBLY TO SHAFT

FRONT GUARD ASSEMBLY - 6040340



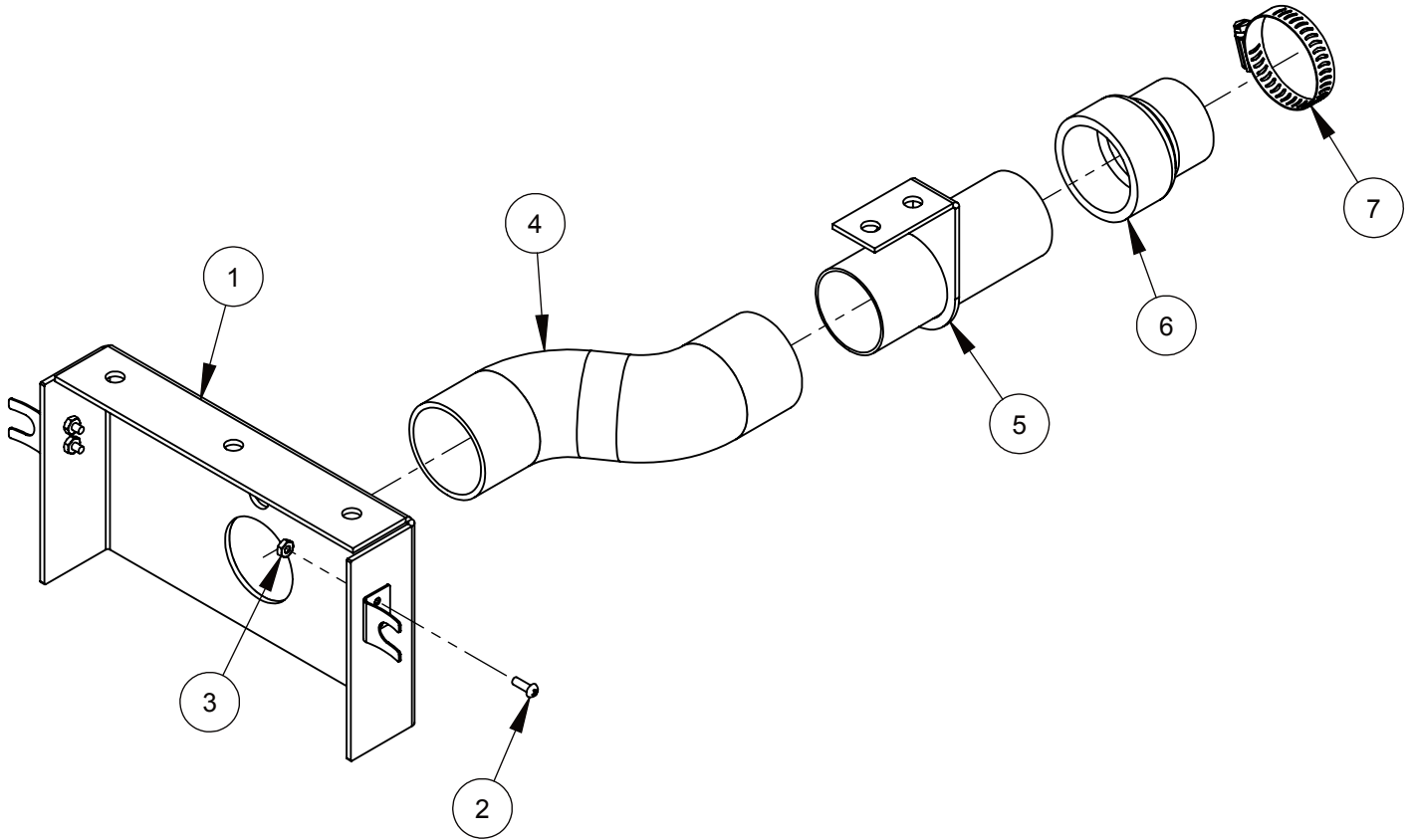
ITEM	PART NO.	QTY.	DESCRIPTION
1	6040529	1	8" Front Guard
2	6040541	1	Rubber Skirt 1/4 x 1-5/8 x 22"L (8" Guard)
3	2900526	4	Machine Screw, Hex. Hd., #8-32 x 1/2
4	2900115	4	Lock Nut, #8-32 Nylon
5	2900009	10	Flat Washer, 1/4" SAE
6	2900010	5	Lock Nut, 1/4-20 Nylon
7	2900144	5	Cap Screw, Hex Hd., 1/4-20 x 3/4"
8	2503615	2	Latch, Draw (Rubber Handle)

HANDLE ASSEMBLY: 6040343



ITEM	PART NO.	QTY.	DESCRIPTION
1	6040538	1	Handle Weldment
2	6041062	2	Throttle Spacer
3	2900597	2	Cap Screw, Hex Hd., M5 x 50mm
4	2900301	2	Lock Nut, M5 Nylon
5	2900016	6	Flat Washer, #10 USS
6	2900053	2	Rivet, 3/32" Dia.
7	2900257	2	Lock Pin, T Handle, 3/8"
8	3200022	1	Fitting, 1/2" F. Pipe to 3/4" F. Garden
9	3200008	2	Close Nipple, 1/2" NPT
10	3200027	1	Water Valve
11	3200155	1	Fitting, 1/2" M. Pipe to 3/4" M. Garden
12	6048918	1	Hose Assy., 1/2 x 18-1/2", Water
13	3201876	1	3/4" M. Garden to 3/4" F. Garden (QD type)
14	6040521	1	Foam grip

DUST PORT ASSEMBLY: 6040344



ITEM	PART NO.	QTY.	DESCRIPTION
1	6040534	1	Rear Cover
2	2900526	4	Machine Screw, Hex. Hd., #8-32 x 1/2
3	2900115	4	Lock Nut, #8-32 Nylon
4	6040339	1	Hose, 2" ID, 8.5" Long
5	6040537	1	Dust Port Bracket
6	2503177	1	Hose Reducer, 2.0"-1.5" ID
7	3200095	1	Hose Clamp #32

DECAL GROUP



CORE CUT DECAL
#1800506 (QTY. 1)



WARNING UNPLUG
POWER DECAL
#1801075 (QTY.1)



WARNING DECAL
#1800001 (QTY. 1)



GREASE OFTEN DECAL
#1800504 (QTY.1)

EQUIPMENT AND PARTS WARRANTY

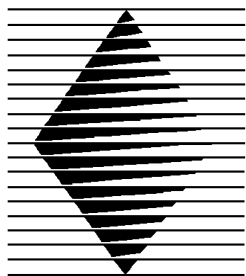
Diamond Products warrants all equipment manufactured by it against defects in workmanship or materials for a period of one (1) year from the date of shipment to Customer.

The responsibility of Diamond Products under this Warranty is limited to replacement or repair of defective parts at Diamond Products' Elyria, Ohio factory, or at a point designated by it, of such parts as shall appear to us upon inspection at such parts, to have been defective in material or workmanship, with expense for transportation and labor borne by Customer.

In no event shall Diamond Products be liable for consequential or incidental damages arising out of the failure of any Product to operate properly.

Integral units such as engines, electric motors, batteries, transmissions, etc., are excluded from this Warranty and are subject to the prime manufacturer's warranty.

THIS WARRANTY IS IN LIEU OF ALL OTHER WARRANTIES, EXPRESSED OR IMPLIED, AND ALL SUCH OTHER WARRANTIES ARE HEREBY DISCLAIMED.



DIAMOND PRODUCTS

333 Prospect Street, Elyria, Ohio 44035
(440) 323-4616 • (800) 321-5336 • Fax (440) 323-8689
www.diamondproducts.com