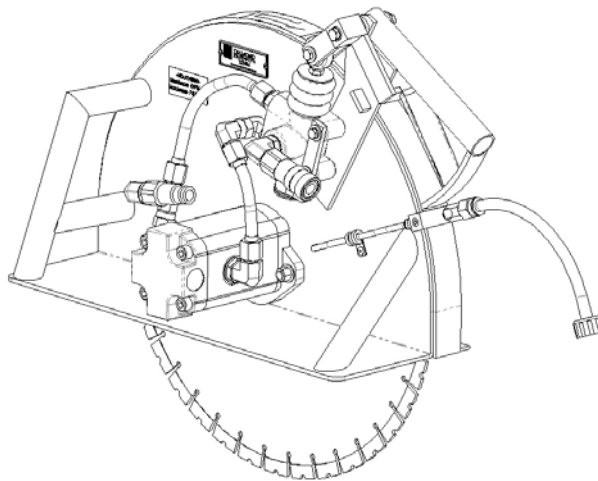


DIAMOND PRODUCTS

SPECIALTY EQUIPMENT MANUFACTURING DIVISION

Hydraulic Hand Saw
(CCW)

PARTS LIST



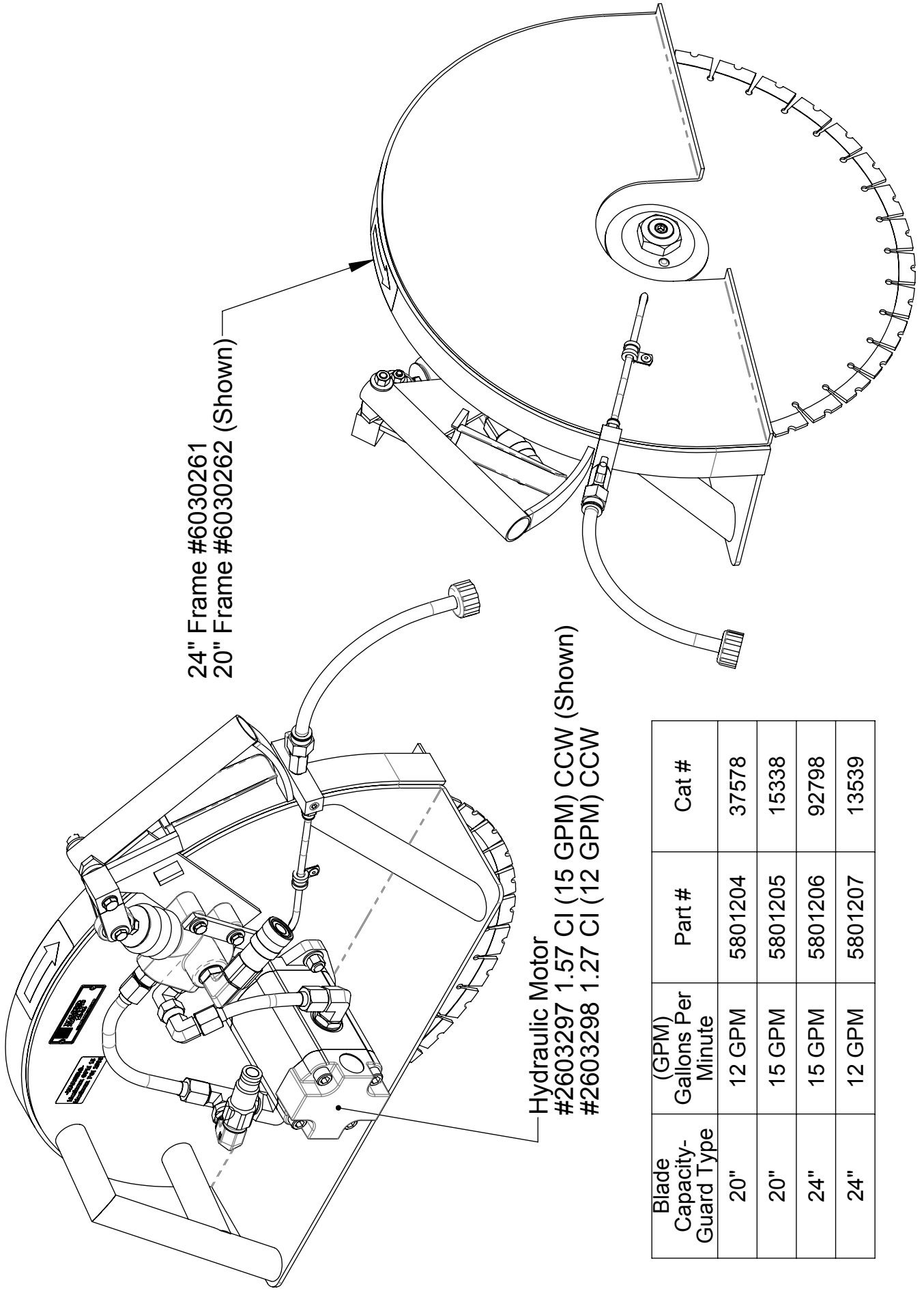
Models:
5801204
5801205
5801206
5801207

January 2012

Part #1801029

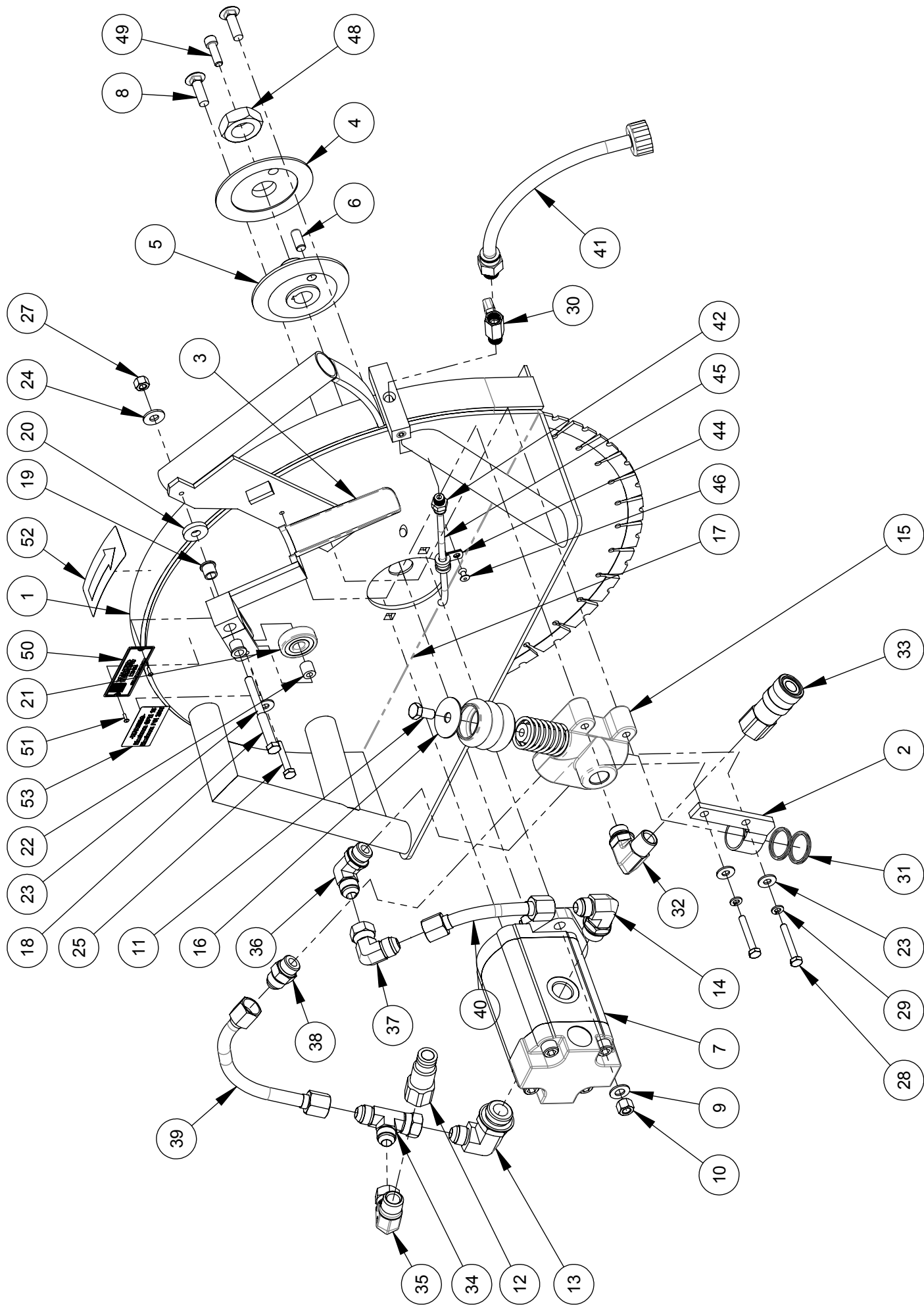
Intentionally Blank

Hydraulic Hand Saw - Counter-Clockwise Rotation



Blade Capacity-Guard Type	(GPM) Gallons Per Minute	Part #	Cat #
20"	12 GPM	5801204	37578
20"	15 GPM	5801205	15338
24"	15 GPM	5801206	92798
24"	12 GPM	5801207	13539

Hand Saw (CCW) Parts List



Hand Saw (CCW) Parts List

ITEM	PART NO.	QTY.	DESCRIPTION	ITEM	PART NO.	QTY.	DESCRIPTION
1	6030262	1	Hand Saw Frame 20"	27	2900039	1	Locknut, 5/16-18, Nylon
2	2502911	1	Valve Cap, Hand Saw	28	2900998	2	Cap Screw, Hex Hd., 1/4-20 x 1-3/4"
3	6040498	1	Trigger, Hand Saw	29	2900024	2	Lock Washer, 1/4" Split
4	6030206	1	Outer Flange 4"	30	3201271	1	Water Valve, 1/4"NPT
5	6030392	1	LD Inner Hub & Shaft RH	31	2502693	2	Quad Seal Ring
6	2900605	1	Dowel Pin, 3/8" x 7/8"	32	3205555	1	Elbow, 1/2" MORB x 1/2" MPT 90 Deg.
7	2603297	1	Hydraulic Motor, 15GPM RH	33	3200104	1	Coupler, 1/2" Q.D.
8	2900046	2	Carriage Bolt, 3/8-16 x 1-1/4"	34	3200332	1	Tee, 1/2" M. JIC to 1/2" F. JIC
9	2900014	2	Flat Washer, 3/8" SAE	35	3205554	1	Elbow Fitting, 1/2" FJIC x 1/2" MPT 90 Deg.
10	2900018	2	Locknut, 3/8-16, Nylon	36	2502924	1	Elbow Fitting, 1/2" MORB x 1/2" MJIC 90 Deg.
11	2900196	1	Cap Screw, Hex Hd., 3/8-16 x 3/4"	37	3200802	1	Elbow Fitting, 1/2" MJIC x 1/2" FJIC 90 Deg.
12	3200105	1	Nipple, 1/2" Q.D.	38	2702689	1	Fitting, 1/2" MORB x 1/2" MJIC
13	3200805	1	Elbow Fitting, 3/4" MORB x 1/2" MJIC	39	6079083	1	CCW Front Tube Assembly
14	3200803	1	Elbow Fitting, 1/2" MJIC x 5/8" MORB	40	6079084	1	CCW Rear Tube Assembly
15	2702688	1	Metro Flow Valve	41	3201875	1	Hose Assy, 3/8" x 12, 3/4" F.Garden x 1/4"MPT
16	2907070	1	Washer, 3/8" x 1-5/8"	42	2506350	2	Push-Connect Fitting, 1/4" Tube x 1/8"MPT
17	2507033	1	Bellow, Hand Saw	43	3200001	1	Plug, 1/8" NPT
18	2501568	1	Pivot Bolt	44	2502914	2	1/4" Cable/Hose Loop Clamp
19	2501583	2	Bearing, 3/8" ID Flanged Bronze	45	2502908	2	Water Hose, 1/4"
20	2501515	1	Bushing UHMW	46	2900201	2	Rivet, 3/16" Dia.
21	2502897	1	Bearing	48	2903227	1	1"-14 Jam Nut RH Grade 5
22	2502576	1	1/4" x 1/2" Sleeve Bushing	49	2900103	1	Socket Head Cap Screw, 5/16-18 x 1
23	2900126	4	Flat Washer, 1/4" USS	50	1800169-DP	1	DP S/N Nameplate
24	2900567	1	Flat Washer, 5/16" USS	51	2900053	2	Rivet, 3/32" Dia.
25	2900048	1	Cap Screw, Hex Hd., 1/4-20 x 1-1/2"	52	1800865	1	Rotation Label
26	2900010	1	Lock Nut, 1/4-20 Nylon	53	1800767	1	Warning Label

Intentionally Blank

NOTES & RECORDS

DATE	NOTE	BY

EQUIPMENT AND PARTS WARRANTY

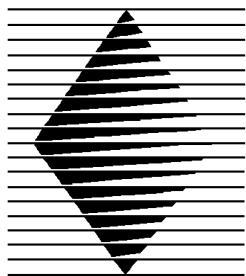
Diamond Products warrants all equipment manufactured by it against defects in workmanship or materials for a period of one (1) year from the date of shipment to Customer.

The responsibility of Diamond Products under this Warranty is limited to replacement or repair of defective parts at Diamond Products' Elyria, Ohio factory, or at a point designated by it, of such parts as shall appear to us upon inspection at such parts, to have been defective in material or workmanship, with expense for transportation and labor borne by Customer.

In no event shall Diamond Products be liable for consequential or incidental damages arising out of the failure of any Product to operate properly.

Integral units such as engines, electric motors, batteries, transmissions, etc., are excluded from this Warranty and are subject to the prime manufacturer's warranty.

THIS WARRANTY IS IN LIEU OF ALL OTHER WARRANTIES, EXPRESSED OR IMPLIED, AND ALL SUCH OTHER WARRANTIES ARE HEREBY DISCLAIMED.



DIAMOND PRODUCTS

333 Prospect Street, Elyria, Ohio 44035
(440) 323-4616 • (800) 321-5336 • Fax (440) 323-8689
www.diamondproducts.com