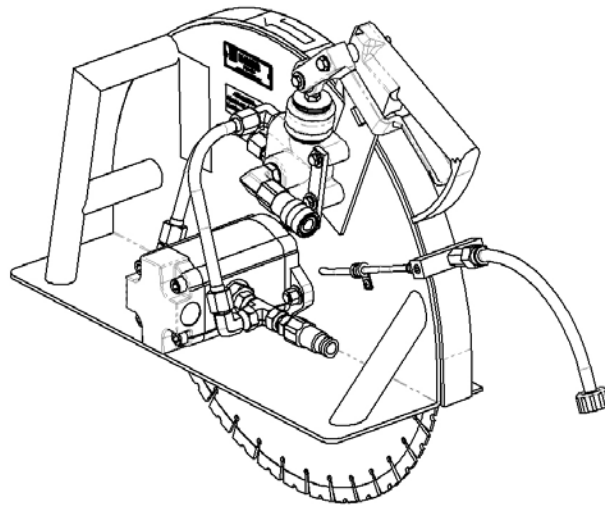


# DIAMOND PRODUCTS

## SPECIALTY EQUIPMENT MANUFACTURING DIVISION

Hydraulic Hand Saw  
(CW)

PARTS LIST



Models:  
5801200  
5801201  
5801202  
5801203

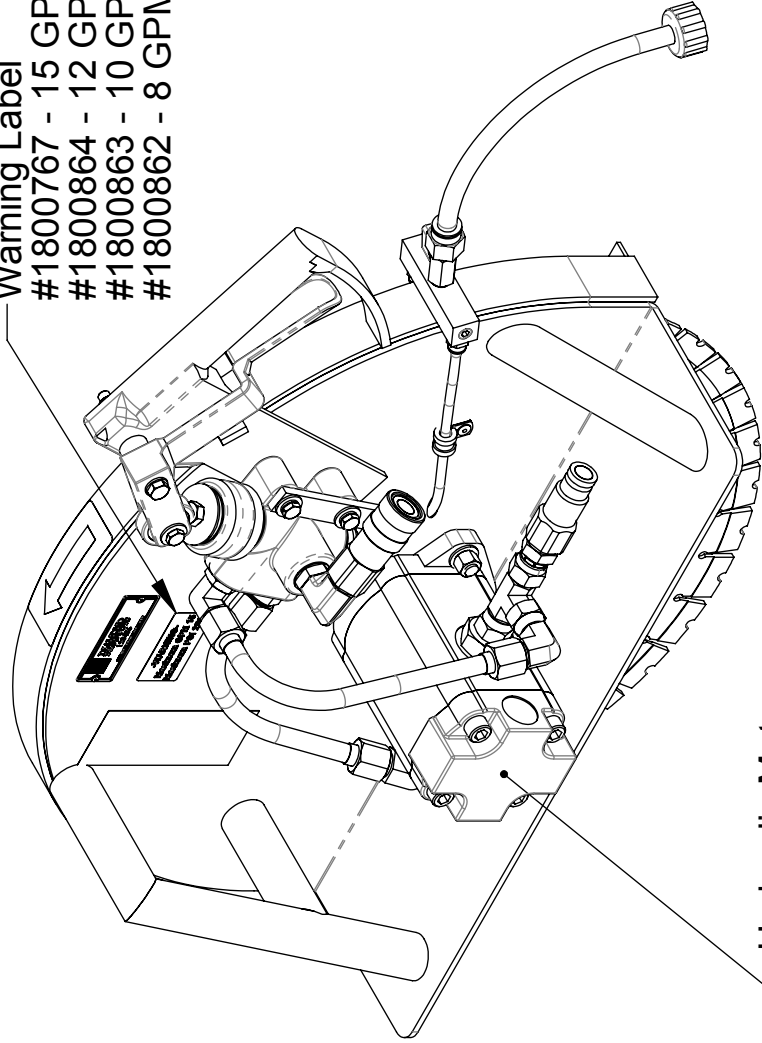
February 3, 2012

Part #1801030

Intentionally Blank

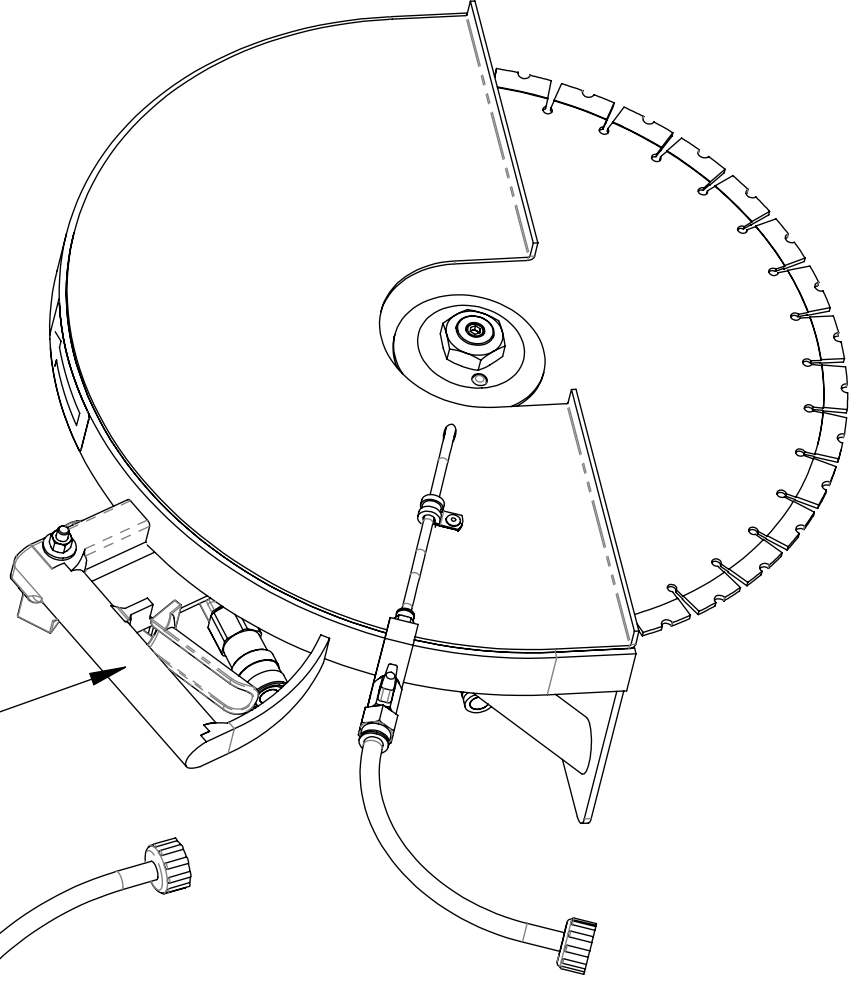
# Hydraulic Hand Saw - Clockwise Rotation

Warning Label  
 #1800767 - 15 GPM  
 #1800864 - 12 GPM  
 #1800863 - 10 GPM  
 #1800862 - 8 GPM



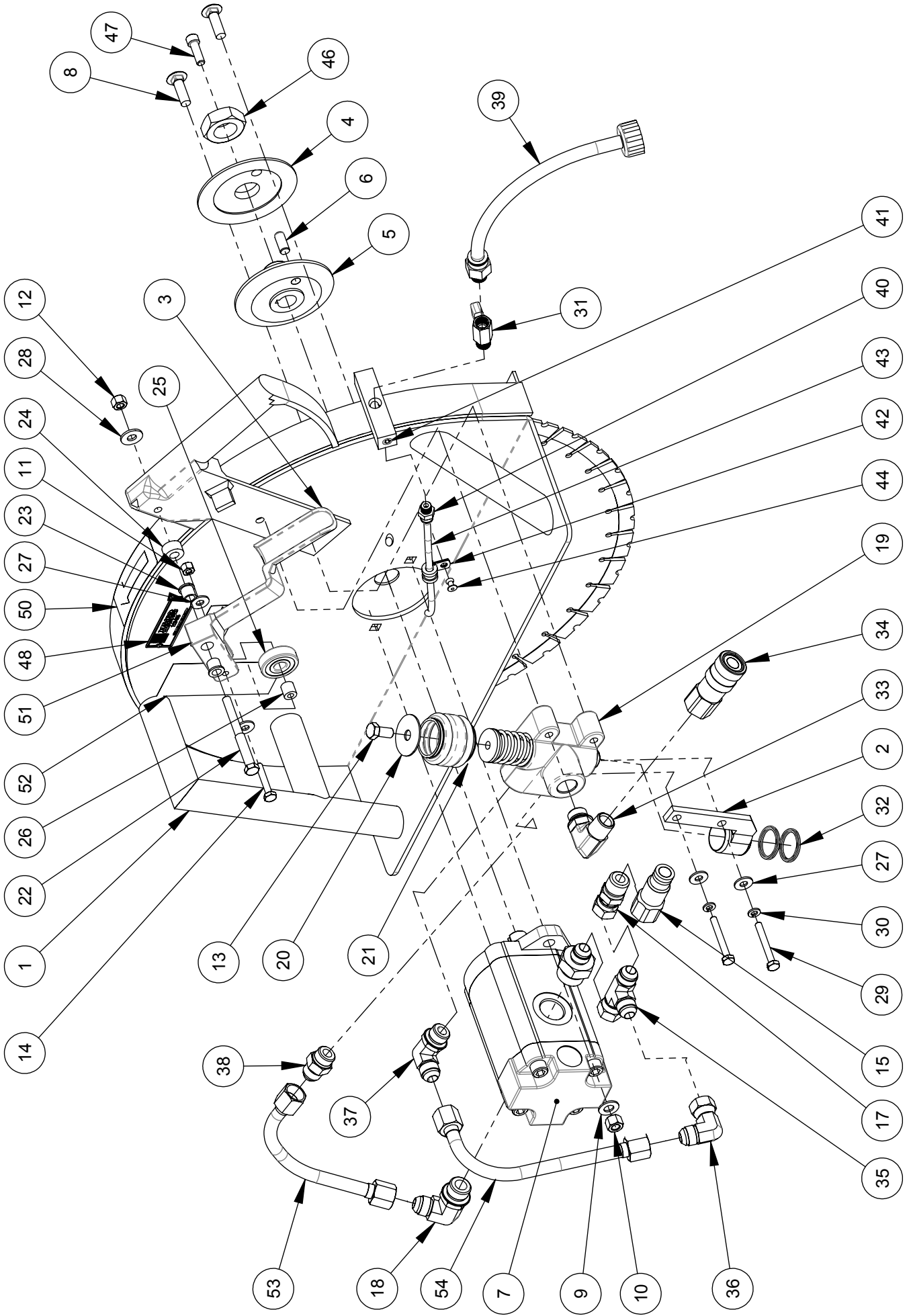
Hydraulic Motor  
 #2603295 1.57 C.I. (15 GPM) CW (Shown)  
 #2603296 1.27 C.I. (12 GPM) CW

20" Frame (Shown) #6030261  
 24" Frame #6030262



Blade Capacity-Guard Type	Part #	(GPM) Gallons Per Minute	Cat #
20"	5801200	15 GPM	55186
20"	5801201	12 GPM	53618
24"	5801202	12 GPM	53619
24"	5801203	15 GPM	55187

# Hydraulic Hand Saw (CW) Parts List



## Hydraulic Hand Saw (CW) Parts List

ITEM	PART NO.	QTY.	DESCRIPTION	ITEM	PART NO.	QTY.	DESCRIPTION
1	6030262	1	Hand Saw Frame 20"	28	2900567	1	Flat Washer, 5/16" USS
2	2502911	1	Valve Cap, Hand Saw 20" & 24"	29	2900294	2	Cap Screw, Hex Hd., 1/4-20 x 2"
3	6040498	1	HS Trigger Weldment	30	2900024	2	Lock Washer, 1/4" Split
4	6030206	1	Outer Flange 4"	31	3201271	1	Water Valve, 1/4"NPT
5	6030391	1	LD Inner Hub & Shaft LH	32	2502693	2	Quad Seal Ring
6	2900605	1	Dowel Pin, 3/8" x 7/8"	33	3205555	1	Elbow, 1/2" MORB x 1/2" MPT 90 Deg.
7	2603295	1	Hydraulic Motor, 1.57 C.I./15GPM LH THD	34	3200104	1	Coupler, 1/2" Q.D.
8	2903037	2	Carriage Bolt, 3/8-16 x 1-1/4"	35	3200332	1	Tee, 1/2" M. JIC to 1/2" F. JIC
9	2900014	2	Flat Washer, 3/8" SAE	36	3200802	1	Elbow Fitting, 1/2"MJIC x 1/2" FJIC 90 Deg.
10	2900018	2	Locknut, 3/8-16, Nylon	37	2502924	1	Elbow Fitting, 1/2" MORB x 1/2" MJIC 90 Deg.
11	2900010	1	Lock Nut, 1/4-20 Nylon	38	2702689	1	Fitting, 1/2"MORB x 1/2" MJIC
12	2900039	1	1/4-20 Locknut, Nylon	39	3201875	1	Hose Assy, 3/8" x 12, 3/4" F. Garden x 1/4"MPT
13	2900196	1	Cap Screw, Hex Hd., 3/8-16 x 3/4"	40	2506350	2	Push-Connect Fitting, 1/4" Tube x 1/8"MPT
14	2900048	1	Cap Screw, Hex Hd., 1/4-20 x 1-1/2"	41	3200001	1	Plug, 1/8" NPT
15	3200105	1	Nipple, 1/2" Q.D.	42	2502914	2	1/4" Cable/Hose Loop Clamp
16	2502920	1	Adaptor, #12 O-Ring x 1/2 MJIC	43	6079091	2	Water Hose, 1/4"
17	3201274	1	Adaptor Fitting, 1/2" MPT x 1/2" FJIC	44	2900201	1	Rivet, 3/16" Dia.
18	3200803	1	Elbow Fitting, 1/2" MJIC x 5/8" MORB	46	2900167	1	1"-14 Jam Nut LH Grade 5
19	2702688	1	Metro Flow Valve	47	2903226	1	SHCS, 5/16-18 x 1 Left Hand Thd.
20	2907070	1	Washer, 3/8" x 1-5/8"	48	1800169-DP	1	DP S/N Nameplate
21	2507033	1	Bellow, Hand Saw	49	2900053	2	Rivet, 3/32" Dia.
22	2501568	1	Pivot Bolt	50	1800865	1	Rotation Label
23	2501583	2	Bearing, 3/8" ID Flanged Bronze	51	1800767	1	Warning Label
24	2501515	1	Bushing UHMW	52	1800001	1	Warning Label
25	2502897	1	Bearing	53	6079089	1	Hydraulic Hose Assy. - Front
26	2502576	1	1/4" x 1/2" Sleeve Bushing	54	6079090	1	Hydraulic Hose Assy. - Rear
27	2900126	4	Flat Washer, 1/4" USS				

Intentionally Blank



## EQUIPMENT AND PARTS WARRANTY

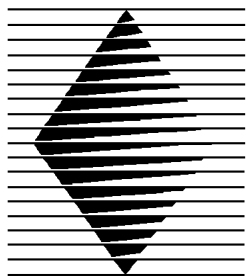
Diamond Products warrants all equipment manufactured by it against defects in workmanship or materials for a period of one (1) year from the date of shipment to Customer.

The responsibility of Diamond Products under this Warranty is limited to replacement or repair of defective parts at Diamond Products' Elyria, Ohio factory, or at a point designated by it, of such parts as shall appear to us upon inspection at such parts, to have been defective in material or workmanship, with expense for transportation and labor borne by Customer.

In no event shall Diamond Products be liable for consequential or incidental damages arising out of the failure of any Product to operate properly.

Integral units such as engines, electric motors, batteries, transmissions, etc., are excluded from this Warranty and are subject to the prime manufacturer's warranty.

**THIS WARRANTY IS IN LIEU OF ALL OTHER WARRANTIES, EXPRESSED OR IMPLIED, AND ALL SUCH OTHER WARRANTIES ARE HEREBY DISCLAIMED.**



# DIAMOND PRODUCTS

333 Prospect Street, Elyria, Ohio 44035  
(440) 323-4616 • (800) 321-5336 • Fax (440) 323-8689  
[www.diamondproducts.com](http://www.diamondproducts.com)