

# **DIAMOND PRODUCTS**

**SPECIALTY EQUIPMENT  
MANUFACTURING DIVISION**

## Hydraulic Hand Saw Parts List

Models:

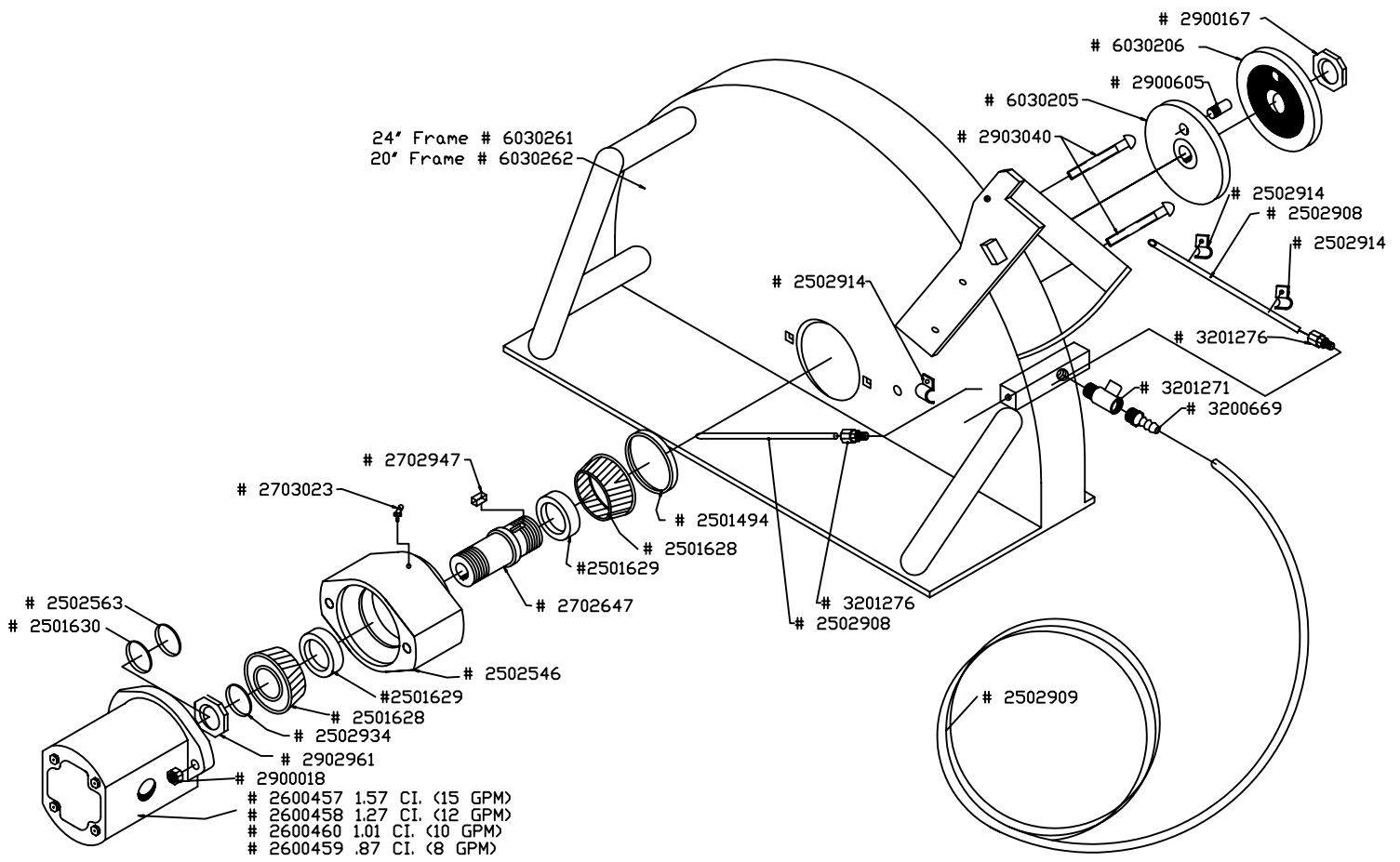
**HS-20 SERIES**

**HS-24 SERIES**

January 2007

Part #1801031

# Drawing #1

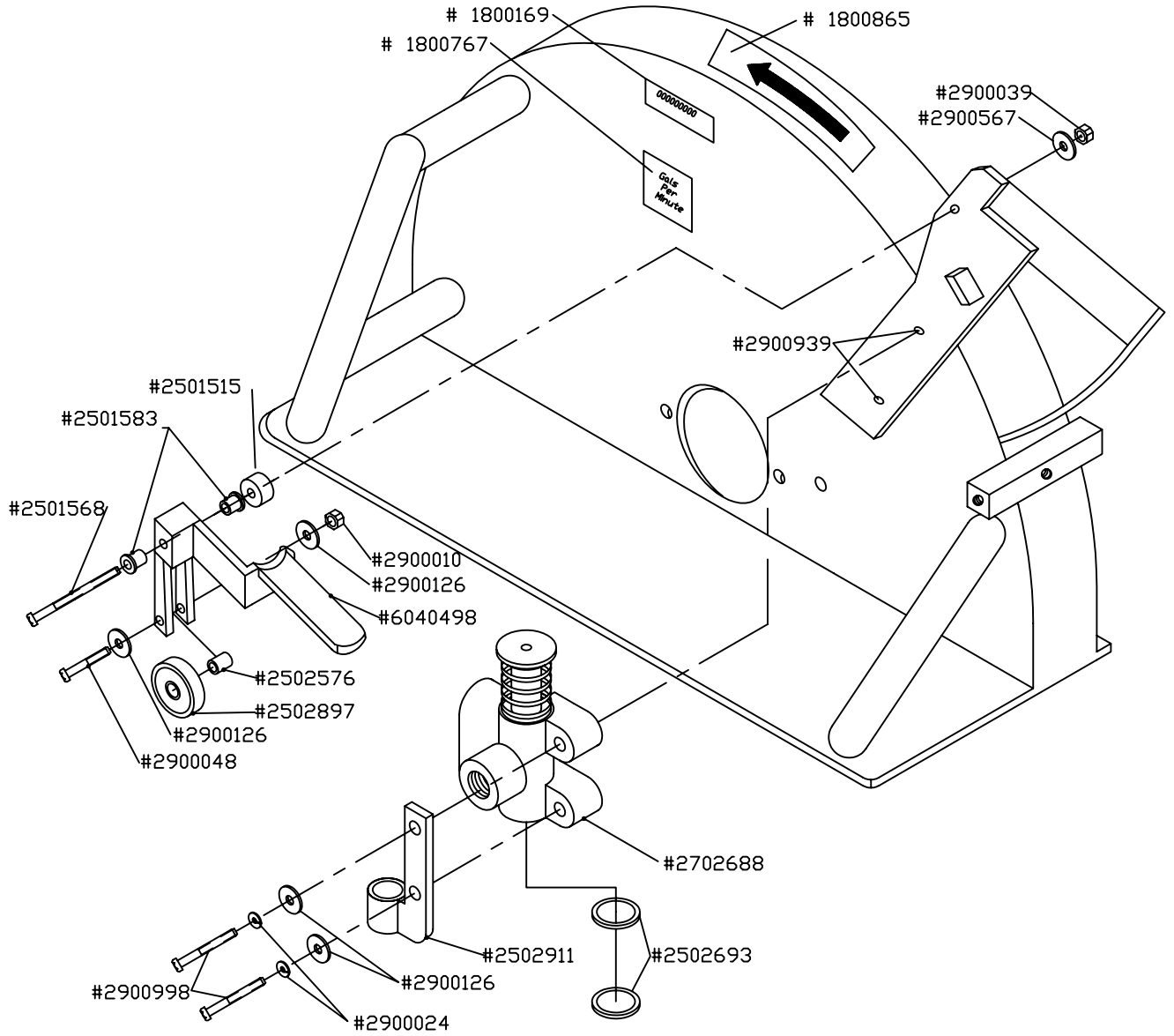


## HAND SAW PARTS LIST DRAWING #1

Part Number	Qty. Required	Description
2501494	1	Load Adapter Shaft Seal
2501628	2	Bearing
2501629	2	Race
2501630	1	Hydraulic Motor Shaft Seal
2502546	1	Housing
2502563	1	Backing Ring
2502908	2	1/4" Water Way Tubing
2502909	1	1/4" Red Water Hose
2502914	3	Clamp Water Tube
2502934	1	Washer
2600167	1	BS Nut LH Thread
2600457		15 GPM Motor
2600458		12 GPM Motor
2600459		8 GPM Motor
2600460		10 GPM Motor
2602647	1	Shaft
2702947	1	Inner Collar Key
2703023	1	Grease Fitting
2900018	2	3/8" Nylock Nut
2900605	1	Shear Pin
2902961	1	Stover Half Nut
2903040	2	Carriage Bolt
3200669	1	1/4" Hose Barb
3201271	1	Water Valve
3201276	2	Compression Fitting
6030205	1	Inner Collar
6030206	1	Outer Collar
6030261		24" Frame Only
6030262		20" Frame Only

<b><u>SEAL KITS</u></b>		
2502903		Directional Motors
2502933		Bi-Directional Motors
2501630		Shaft Seal <b>ALL</b> Motors
2502563		Shaft Seal Spacer

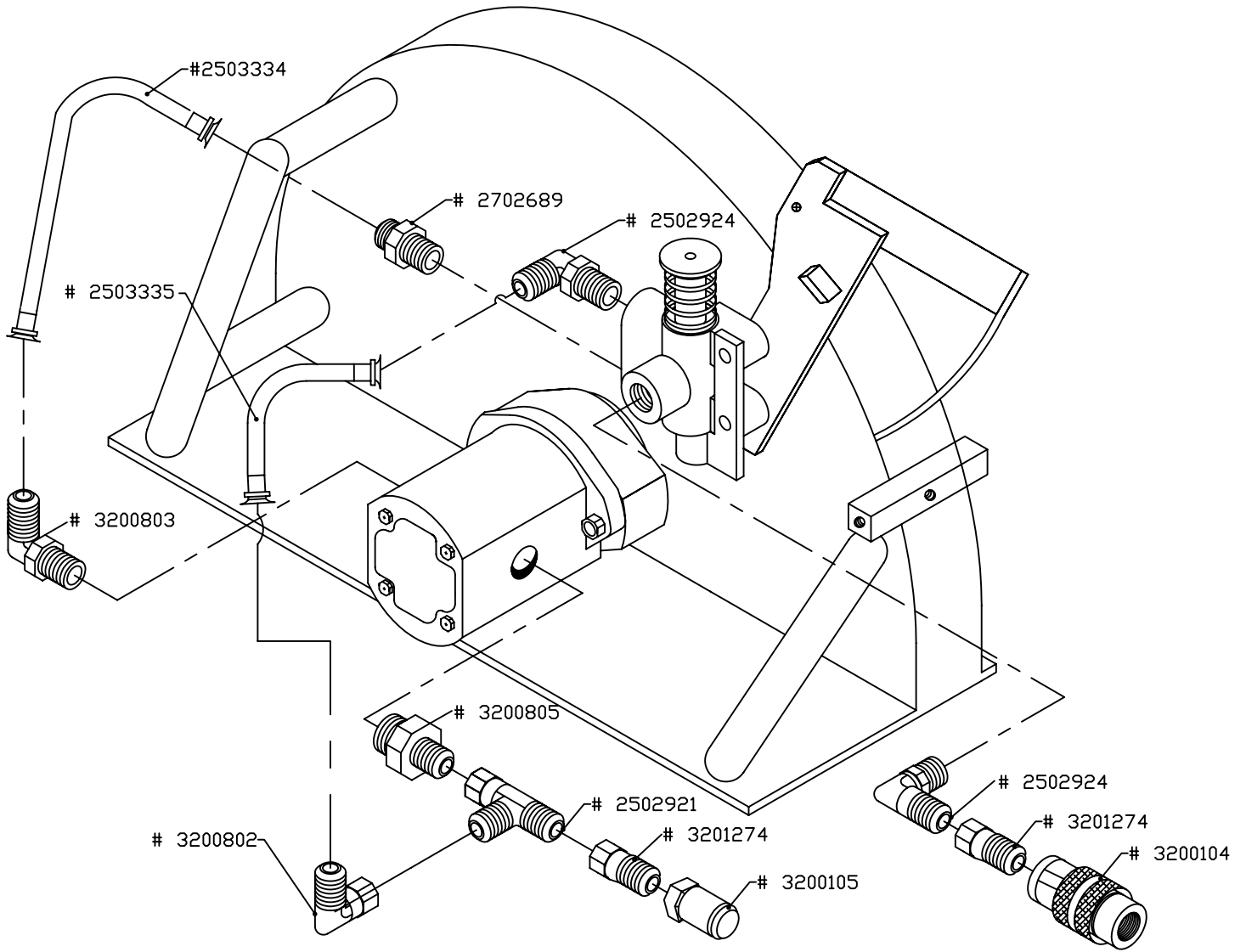
Drawing #2



## HAND SAW PARTS LIST DRAWING #2

Part Number	Qty. Required	Description
1800169	1	Serial Number Tag
1800767	1	GPM Decal
1800865	1	Rotation Decal
2501515	1	Bushing
2501568	1	Pivot Bolt
2501583	2	Flange Bushing
2502576	1	Straight Bushing
2502693	2	Quad Seal
2502897	1	Bearing
2502911	1	Valve Cap
2702688	1	Metro Valve
2900010	1	1/4-20 Nylock
2900024	2	1/4" Lock Washers
2900039	1	5/16-18 Nylock
2900048	1	1/4-20 x 1 1/2" Bolt
2900126	3	1/4" Flat Washers
2900567	3	5/16" Flat Washer
2900939	2	Heli-Coils
2900998	2	1/4-20 x 1 3/4"
6040498	1	Trigger

Drawing #3



## HAND SAW PARTS LIST DRAWING #3

Part Number	Qty. Required	Description
2502921	1	Fitting
2502924	2	Fitting
2503334	1	Tube Assembly
2503335	1	Tube Assembly
2702689	1	Fitting
3200104	1	Female QD
3200105	1	Male QD
3200802	1	Fitting
3200803	1	Fitting
3200805	1	Fitting
3201274	2	1/2" Swivel Fitting

## **EQUIPMENT AND PARTS WARRANTY**

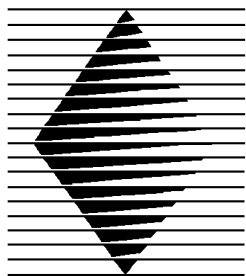
Diamond Products warrants all equipment manufactured by it against defects in workmanship or materials for a period of one (1) year from the date of shipment to Customer.

The responsibility of Diamond Products under this Warranty is limited to replacement or repair of defective parts at Diamond Products' Elyria, Ohio factory, or at a point designated by it, of such parts as shall appear to us upon inspection at such parts, to have been defective in material or workmanship, with expense for transportation and labor borne by Customer.

In no event shall Diamond Products be liable for consequential or incidental damages arising out of the failure of any Product to operate properly.

Integral units such as engines, electric motors, batteries, transmissions, etc., are excluded from this Warranty and are subject to the prime manufacturer's warranty.

**THIS WARRANTY IS IN LIEU OF ALL OTHER WARRANTIES, EXPRESSED OR IMPLIED, AND ALL SUCH OTHER WARRANTIES ARE HEREBY DISCLAIMED.**



# **DIAMOND PRODUCTS**

333 Prospect Street, Elyria, Ohio 44035  
(440) 323-4616 • (800) 321-5336 • Fax (440) 323-8689

[www.diamondproducts.com](http://www.diamondproducts.com)