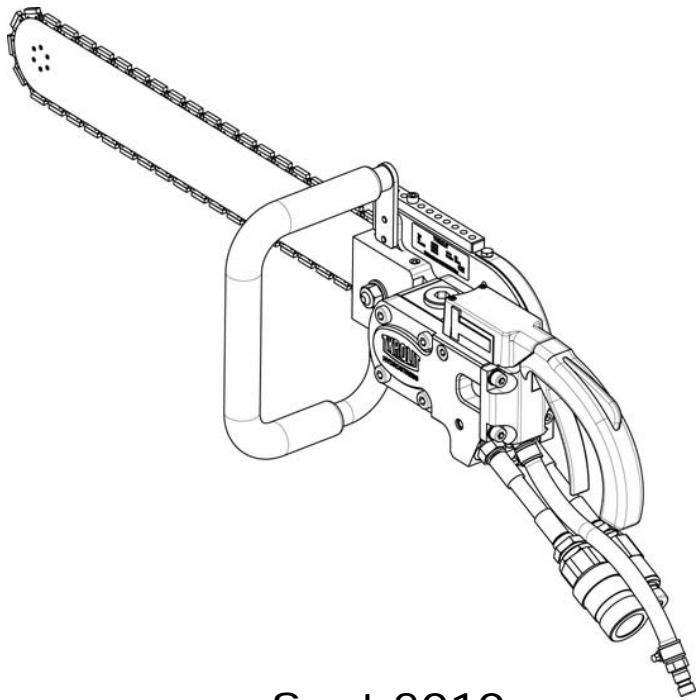


# DIAMOND PRODUCTS

## CHAINSAW HCH50 PARTS LIST



Sept 2010

Intentionally Blank

---

# Product description

## Important information on the Chain saw HCH50

### Main components

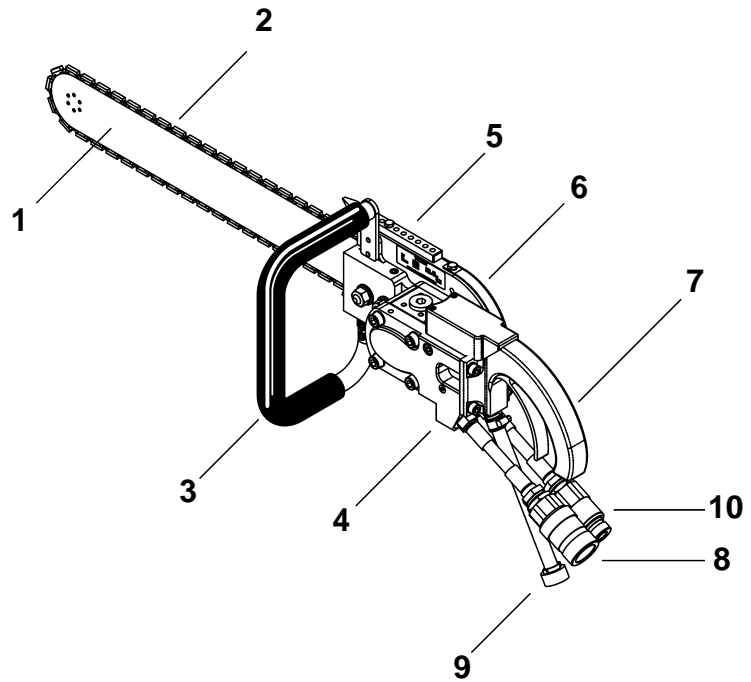


Fig. 1-1 Main components

- |                   |  |
|-------------------|--|
| 1 Bar             | 7 Operating handle with manual starter |
| 2 Chain           | 8 Coupling FD (flow)                   |
| 3 T-handle        | 9 Hose stem (water)                    |
| 4 Valve block     | 10 Nipple FD (return)                  |
| 5 Cutting mandrel |  |
| 6 Chain guard     |  |

## Accessories

- Flow divider / Pressure limiter 40 l/min, 140 bar
- Pressure control valve 140 bar

## Scope of supply

Complete chain saw system HCH50\*\*\*:

- Chain saw HCH50\*\*\*
- Carrying case HCH50\*\*\*
- Tool kit HCH50\*\*\*
- Operating Instructions / Spare parts list

## Tool kit comprises:

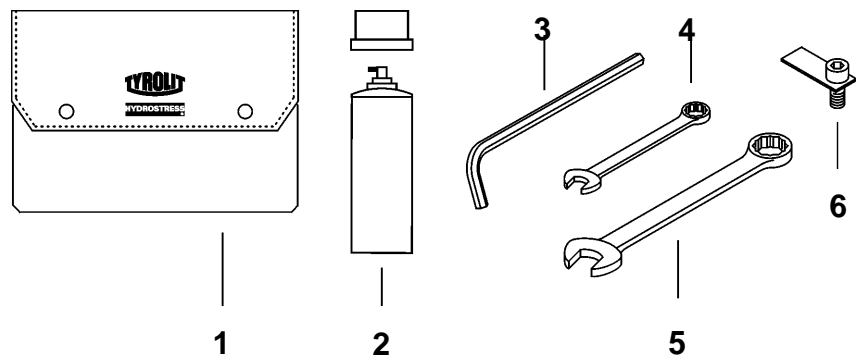


Fig. 1-2 Tool kit

- |                                  |                 |
|----------------------------------|-----------------|
| 1. Plastic tool bag              | Part No. 976497 |
| 2. Chain spray                   | Part No. 975061 |
| 3. Allen key SW 5                | Part No. 973791 |
| 4. Ring/open ended spanner SW 10 | Part No. 973781 |
| 5. Ring/open ended spanner SW 19 | Part No. 973784 |
| 6. Drive wheel assembly guide    | Part No. 962724 |

## Design and function

### Design

The Chain saw HCH508\*\*\* is comprised the following components.

- Chain saw unit
- **TYROLIT Hydrostress AG** bar
- **TYROLIT Hydrostress AG** diamond chain

**Safety component:**

- Chain guard

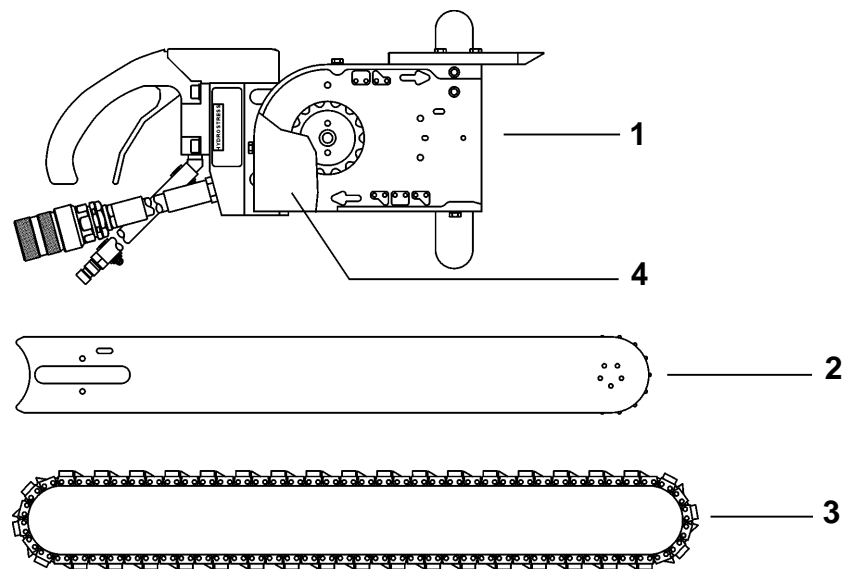


Fig. 1-3 Chain saw HCH50 design

1. Chain saw unit
2. Bar
3. Diamond chain
4. Chain guard

### Function

The overall function of the Chain saw HCH508\*\*\* remains exactly the same. The Chain saw HCH508\*\*\* is powered by a hydraulic drive assembly. The chain is driven by the hydraulic motor incorporated into the chain saw unit. The driven chain is inserted into the material to be cut.

## Component description

### Chain saw unit

#### Design

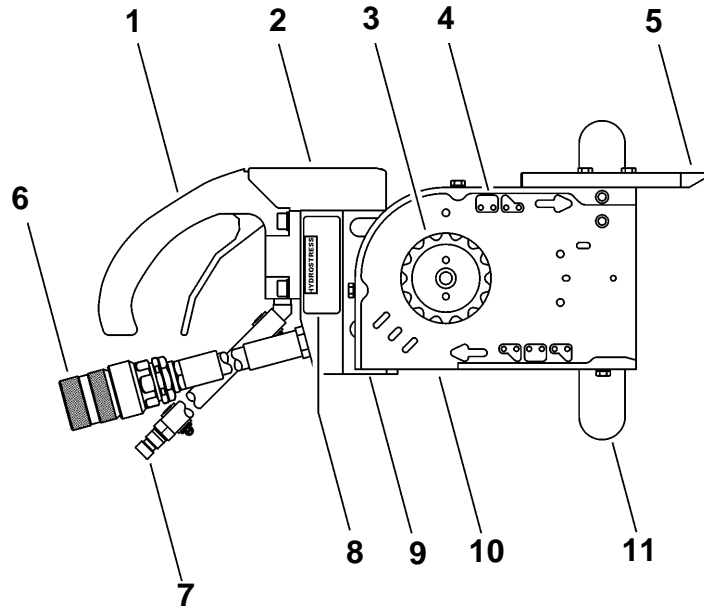


Fig. 1-4 Chain saw unit

- |   |                     |
|---|---------------------|
| 1. Operating handle with manual starter | 7. Water connection |
| 2. Water level housing                  | 8. Name plate       |
| 3. Drive wheel                          | 9. Valve block      |
| 4. Fitting aid (chain-engraving)        | 10. Chain guard     |
| 5. Cutting mandrel                      | 11. T-handle        |
| 6. Hydraulic connection                 |                     |

#### Function

The chain saw unit is the central component of the Chain saw HCH50. The chain saw unit incorporates the drive motor and the operating handle and T-handle for using the HCH508\*\*\*. The unit along with its valve block and the hydraulic and water connections also constitutes the interface with the power source (drive assembly).

## DIAMOND PRODUCTS AG bar

### Design

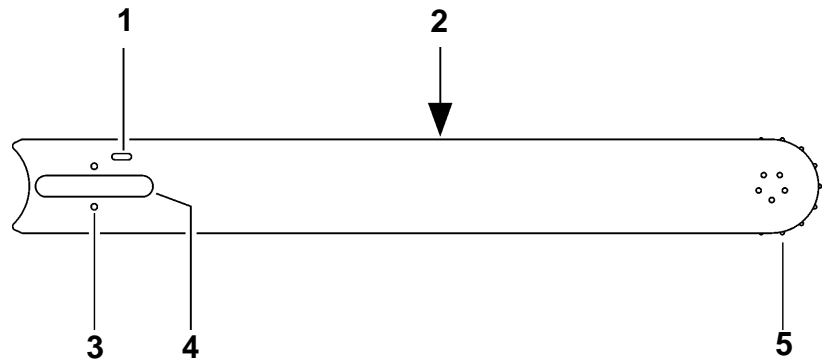


Fig. 1-5 Bar

- 1. Water inlet
- 2. Chain guide
- 3. Assembly bore hole for chain tensioner
- 4. Assembly opening
- 5. Reversing wheel

### Function

The bar is securely fixed to the chain saw unit. The chain runs and is guided on the bar. The bar provides lateral support for the chain. The cutting pressure is absorbed via the bar.



### Information

The bar serves solely to guide the diamond chain. Never use the bar as a lifting tool or a crow bar.

---

## How to use the spare parts list

The spare parts list is not intended as instructions for assembly or dismantling work. It is exclusively intended to help you to quickly and easily find spare parts, which can then be ordered at the address below.

### Safety regulations



#### Danger

**The assembling or dismantling of modules can involve risks which are not identified in this spare parts list.**

**The use of this spare parts list for assembly or dismantling purposes is strictly forbidden. For assembly or dismantling tasks it is essential to only follow the corresponding descriptions in the operating manual.**

**If this regulation is not heeded injuries may be incurred which in the worst case can also be fatal.**

### Ordering



#### Information

To avoid incorrect deliveries you should check the order details for correctness and completeness (see under ordering details) prior shipment.

You should ensure that the delivery address is given in full.

### Order address:

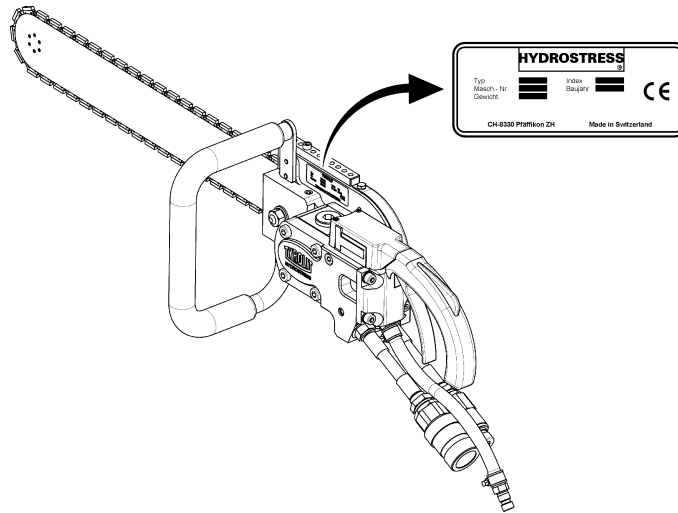
**Diamond Products**  
333 Prospect Street  
Elyria, Ohio USA  
Toll Free (800) 321-5336  
Phone (440) 323-4616  
Fax (440) 323-8689  
e-mail: [dp@diamondproducts.com](mailto:dp@diamondproducts.com)  
[www.diamondproducts.com](http://www.diamondproducts.com)



---

# Spare Parts List

## Ordering details

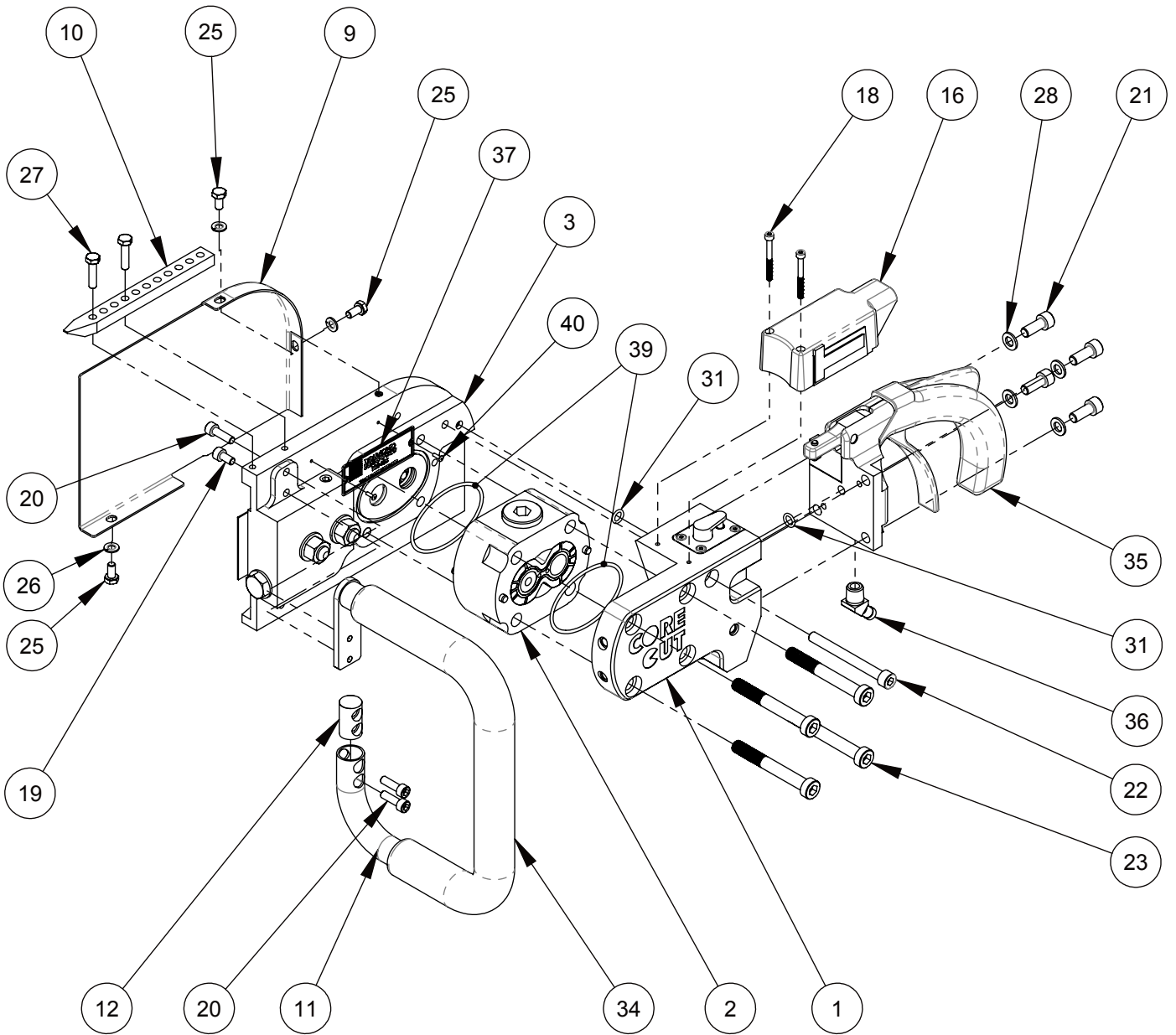


When spare parts are ordered we need the following details:

- Machine type according to nameplate (e.g. HCH50\*\*\*)
- Machine number according to nameplate (e.g. 10977640)
- Machine index according to nameplate (e.g. 000)
- Spare part number according to the spare parts list (e.g. 10977345)

For orders, questions and information please contact your responsible branch office.

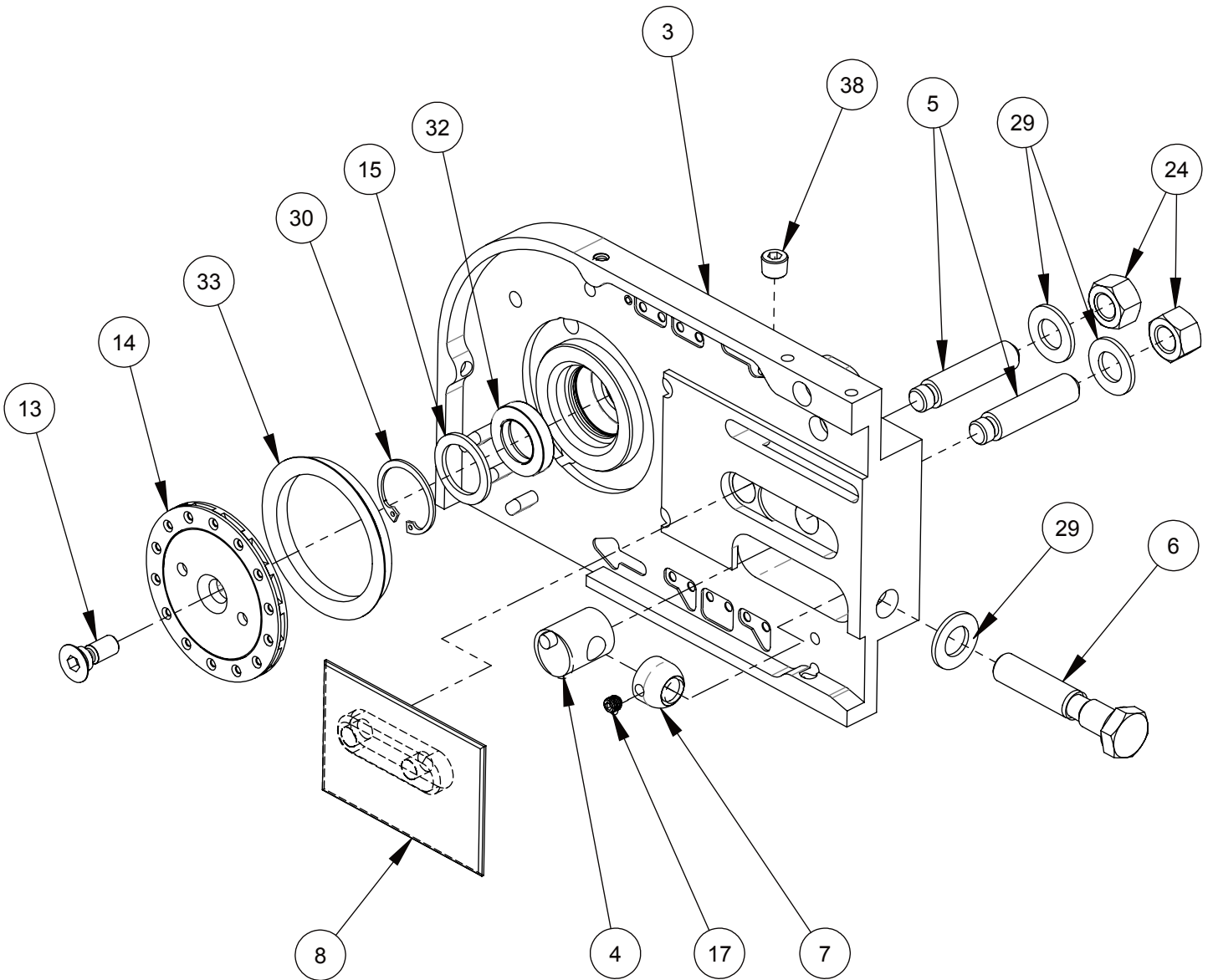
**3401281 Assembly**  
**View 1**



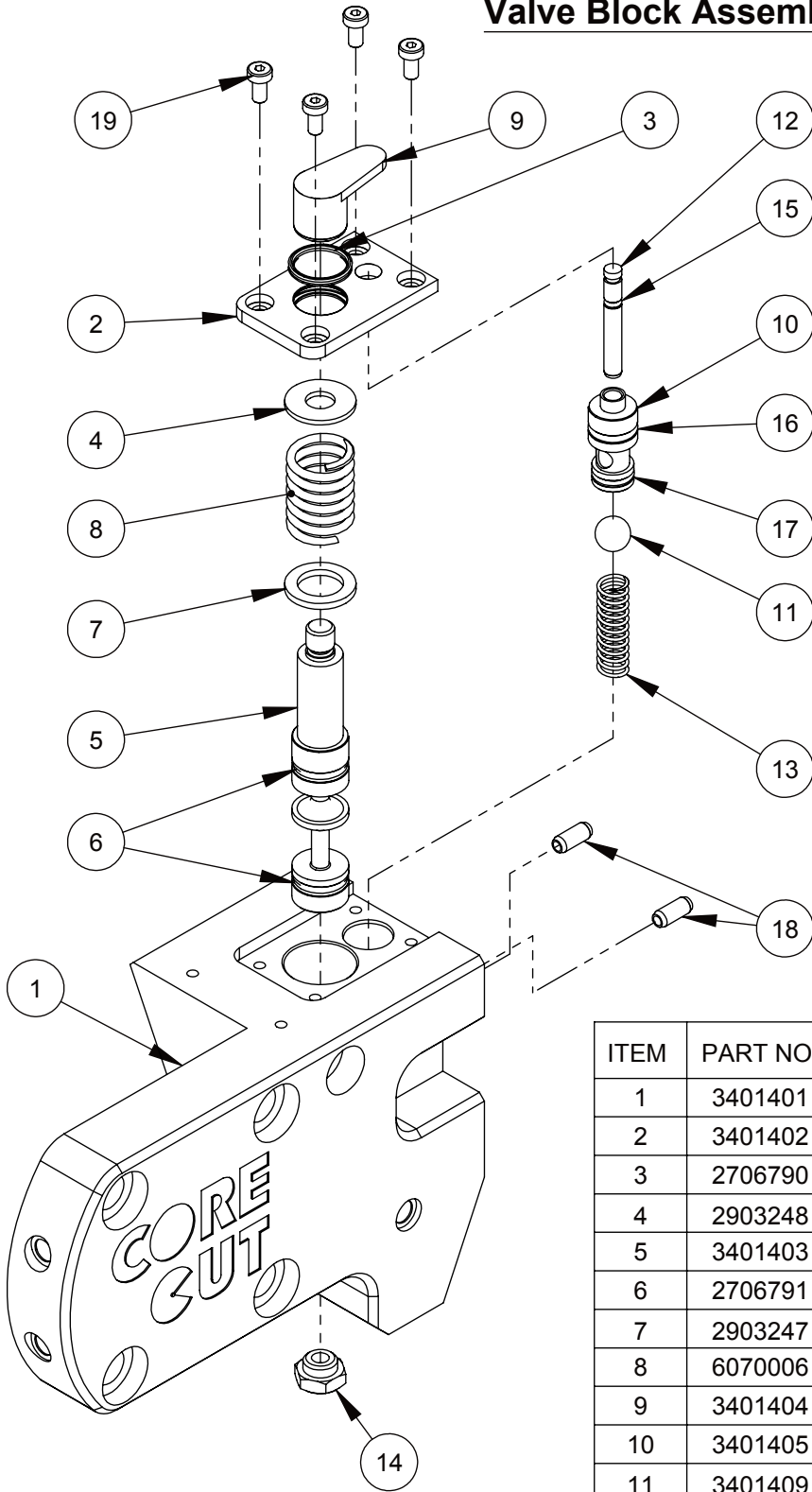
## 3401281 Parts List

BOM Table			
ITEM	PART NO.	QTY.	DESCRIPTION
1	3401398	1	Valve Body HCH50
2	3401399	1	Hyd. Motor GR2 8CCM - HCH50 Saw
3	3401408	1	Chain Saw Frame Assy, HCH50
4	3401013	1	Tensioning Nut
5	3401018	2	Bolt to Chain Bar
6	3401015	1	Tensioning Screw
7	3401014	1	Nut, Counter
8	3401017	1	Chain Bar Plate
9	3401287	1	Chain Guard
10	3402177	1	Cutting Mandrel
11	3401010	1	Handle (Weldment)
12	3401392	1	Clamp Piece
13	3401152	1	Screw M8 LEFT x 22
14	3401376	1	Drive Sprocket, Chain Saw
15	3401407	1	Seal Back Up Ring
16	3401011	1	Spirit Level
17	3401016	1	Set Screw, M6 x 6
18	3400549	2	Cap Screw, Soc. Hd., M4 x 35
19	3402011	1	Cap Screw, Soc. Hd., M6 x 16
20	2900554	3	Cap Screw, Soc. Hd., M6 x 20
21	2900243	4	Cap Screw, Soc. Hd., M8 x 20
22	2903249	1	Cap Screw, Soc. Hd., M8 x 80
23	2900666	4	Cap Screw, Soc. Hd., M10 x 80 Low Head
24	2900482	2	Hex Nut, M12
25	2900544	3	Cap Screw, Hex Hd., M6 x 12
26	2900765	3	Lock Washer, M6 Split
27	2900311	2	Cap Screw, Hex Hd., M6 x 25
28	2903233	4	Washer M8 15/8.4/1.6
29	3403010	3	M12 Flat Washer
30	2704957	1	Ring, Retaining, Int 30mm
31	3401400	2	O-Ring 8.0x2.0 N70
32	3401295	1	Seal, Motor Shaft
33	3400837	1	Seal,CSF40 Sprocket
34	3401418	1	Grip, Handle
35	3401384	1	Rear Handle Kit
36	3201739	1	1/4"M. Pipe to 3/8" Hose Barb 45 Deg
37	1800169	1	DP S/N Nameplate
38	3401417	1	Screw, Locking
39	3401416	2	O-ring, M2.62 x 66.35
40	2900053	2	Rivet, 3/32" Dia.

**3401281 Assembly**  
**View 2**

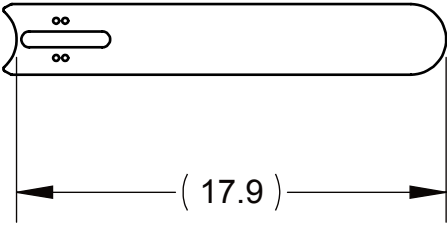
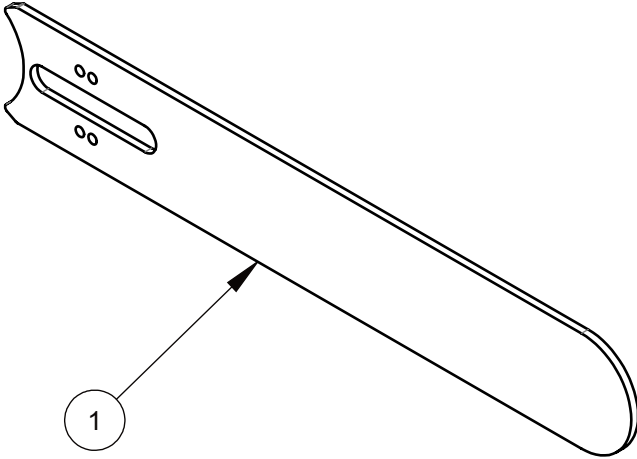


## Valve Block Assembly #3401398



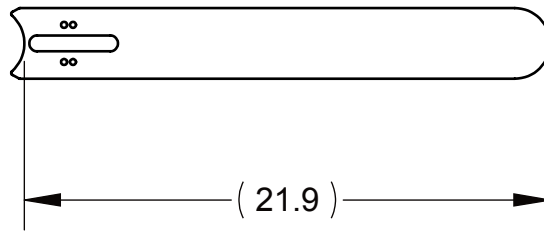
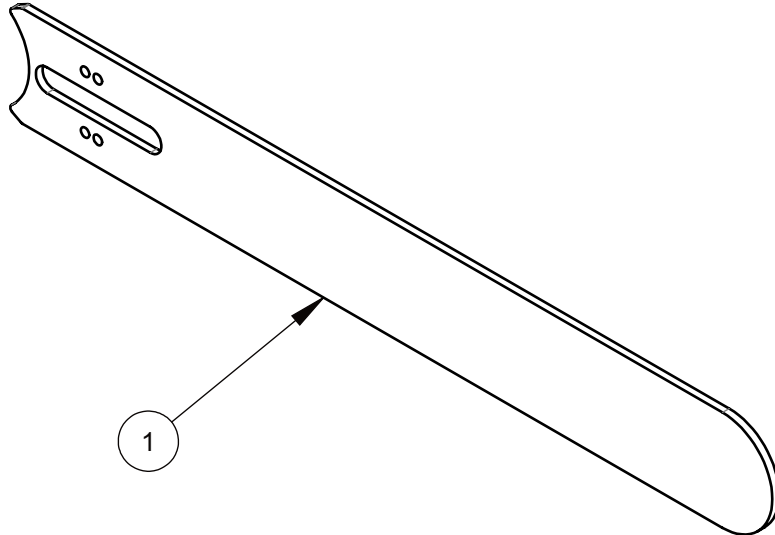
ITEM	PART NO.	QTY	DESCRIPTION
1	3401401	1	Valve Body HCH50
2	3401402	1	Valve Cap
3	2706790	1	X-Ring 15.6x1.78
4	2903248	1	Washer 20MM x 8MM x 1.5MM
5	3401403	1	Slidegate Valve
6	2706791	2	X-Ring 10.77x2.62
7	2903247	1	Washer M12 20MM x 13MM x 2MM
8	6070006	1	Spring, Compression 34 x 19.1 x 2.4
9	3401404	1	Beam, HCH50 Valve Body
10	3401405	1	Plug Valve
11	3401409	1	Ball, Steel 10mm HCH50
12	3401406	1	Needle Valve
13	6070007	1	Spring, Compression 8x1/40.5 HCH50
14	3201998	1	Breather G1/8 HCH50 Valve Body
15	2706792	1	O-Ring 2x1.5 N70
16	2706793	1	O-Ring 10x2.0 N70
17	2706794	1	O-Ring 9.0x1.5 N70
18	2706795	2	Roll Pin 5x12 ISO8748 BN876
19	2900761	4	Cap Screw, Soc. Hd., M4 x 8 Low head

**12" Chain Saw Bar 6063039**



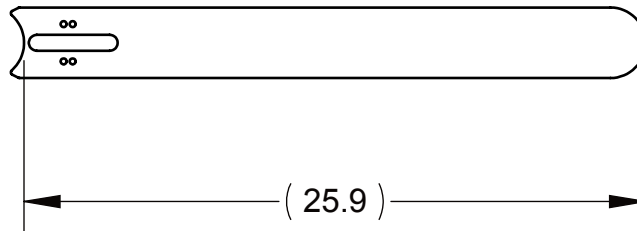
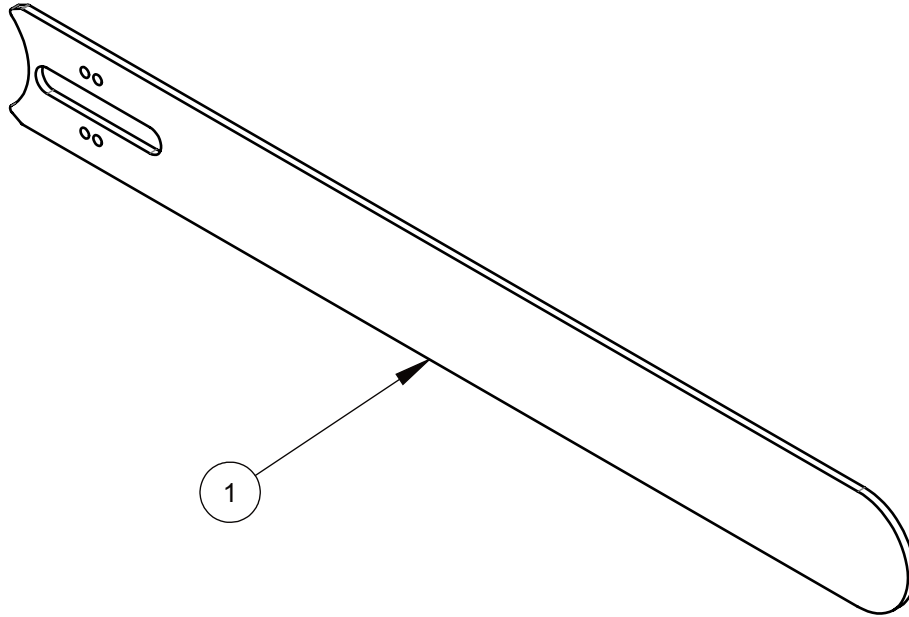
ITEM	PART NO.	QTY.	DESCRIPTION
1	6063039	1	12" Saw Bar

# 16" Chain Saw Bar 6060261



ITEM	PART NO.	QTY.	DESCRIPTION
1	6060261	1	16" Saw Bar

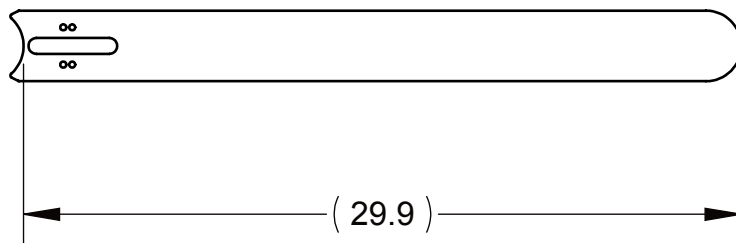
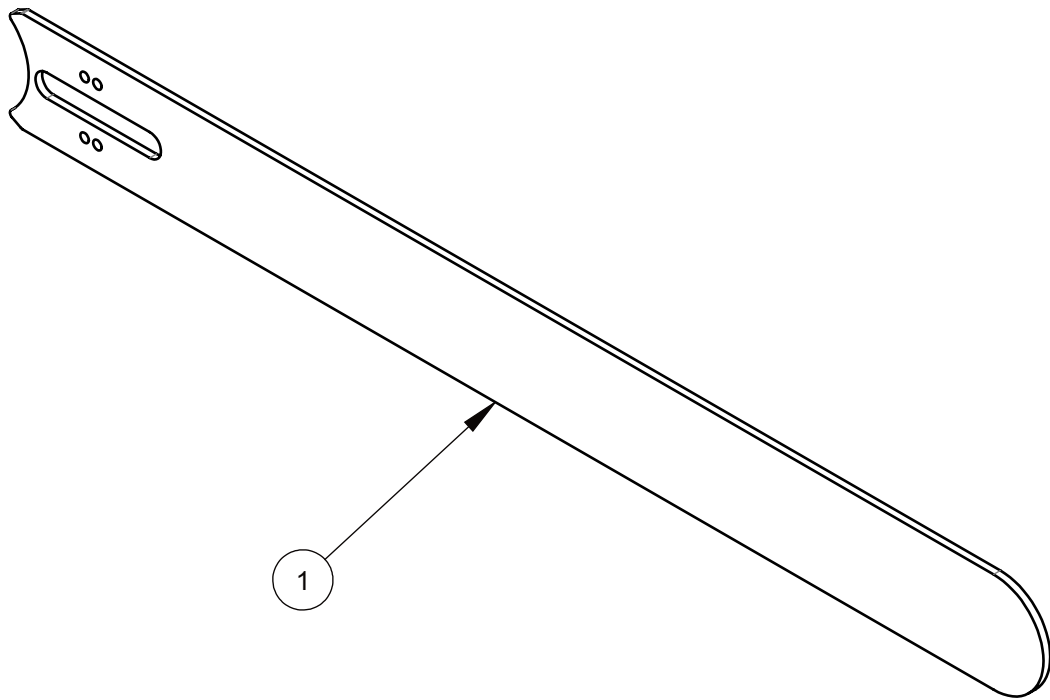
**20" Chain Saw Bar 6060260**



ITEM	PART NO.	QTY.	DESCRIPTION
1	6060260	1	20" Saw Bar



## 24" Chain Saw Bar 6063038



ITEM	PART NO.	QTY.	DESCRIPTION
1	6063038	1	24" Saw Bar

## Notes

---

---

---

---

---

---

---

---

---

---

---

---

---

---

---

---

---

---

---

---

---

---

---

---

---

---

---



## EQUIPMENT AND PARTS WARRANTY

Diamond Products warrants all equipment manufactured by it against defects in workmanship or materials for a period of one (1) year from the date of shipment to Customer.

The responsibility of Diamond Products under this Warranty is limited to replacement or repair of defective parts at Diamond Products' Elyria, Ohio factory, or at a point designated by it, of such parts as shall appear to us upon inspection at such parts, to have been defective in material or workmanship, with expense for transportation and labor borne by Customer.

In no event shall Diamond Products be liable for consequential or incidental damages arising out of the failure of any Product to operate properly.

Integral units such as engines, electric motors, batteries, transmissions, Etc., are excluded from this Warranty and are subject to the prime manufacturer's warranty.

**THIS WARRANTY IS IN LIEU OF ALL OTHER WARRANTIES, EXPRESSED OR IMPLIED, AND ALL SUCH OTHER WARRANTIES ARE HEREBY DISCLAIMED.**



333 Prospect Street, Elyria, Ohio 44035  
(440) 323-4616 • (800) 321-5336 • Fax (440) 323-8689  
[www.diamondproducts.com](http://www.diamondproducts.com)