

DIAMOND

PRODUCTS

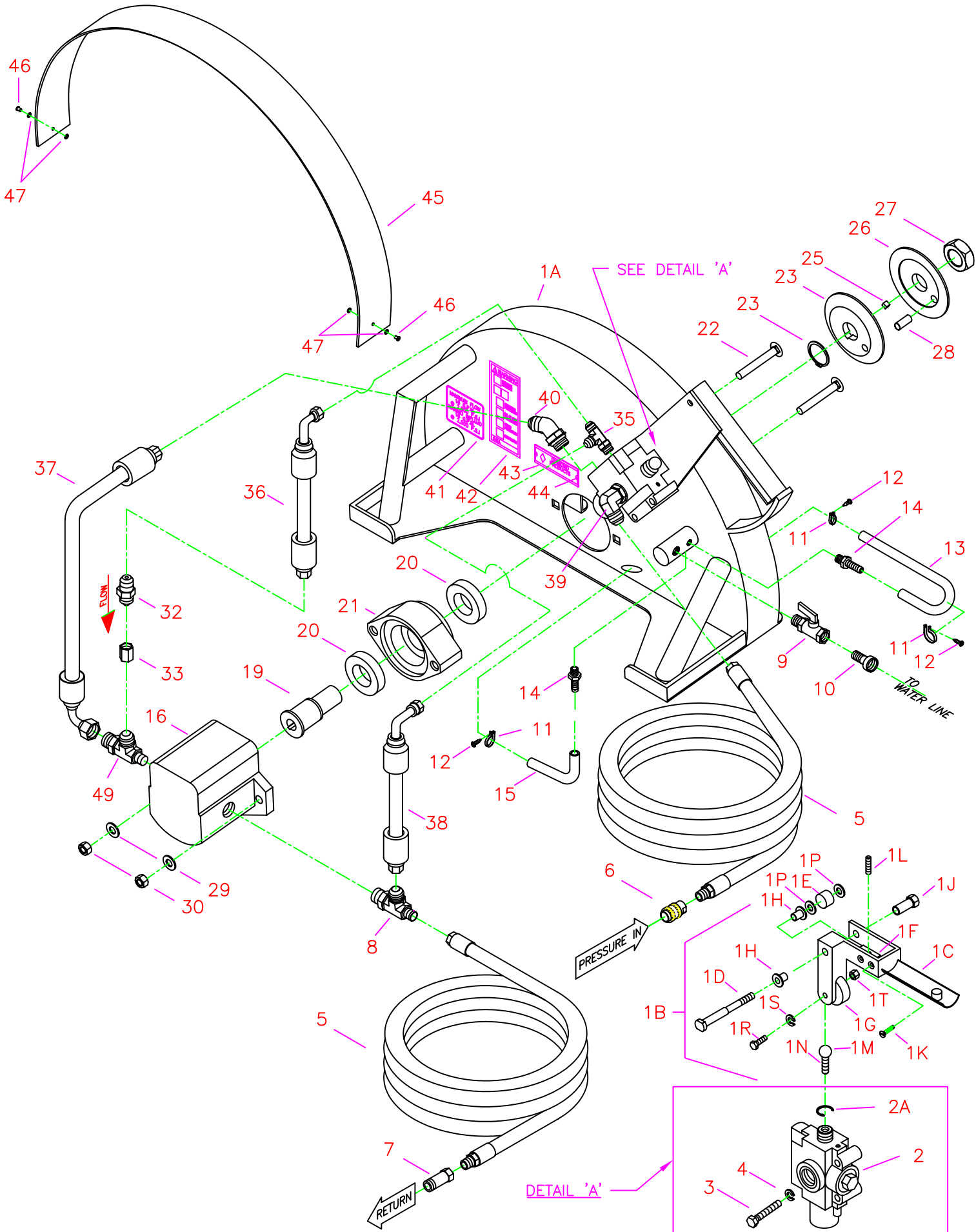
HAND SAW

PARTS LIST

MODEL

CC21

(Revised 03-01-04)



CC21 Parts List
Drawing 1
Hydraulic Hand Saw

Diagram Number	Part No.	Qty. Req.	Description	Diagram Number	Part No.	Qty. Req.	Description
1	2501489	1	Hand Saw Frame (Includes 1A & 1B)	16	2600344	1	Hydraulic Gear Motor (1.58 Cu-In.)
					2600345	1	Hydraulic Gear Motor (1.27 Cu-In.)
1A	2501595	1	Body Weldment	17	2702355	1	Motor Shaft Seal Kit (Not Shown)
1B	2501596	1	Trigger Sub-Assembly (Includes 1C thru 1T)				(Includes Seal, Washer, & Retaining Ring)
				18	6000008		Motor & Blade Mounting Parts (Includes Items 19 thru 30)
1C	2501594	1	Trigger Weldment				
1D	2501568	1	Pivot Bolt, 5/16-18	19	2501555	1	Blade Shaft
1E	2501515	1	Bushing, UHMV	20	2501556	2	Bearing 1.25 " x 2.25" with Two Seals
1F	2501483	1	Stop Block	21	2501557	1	Pillow Block
1G	2501582	1	Trigger Cam Roller	22	2900977	2	Carriage Bolt, 3/8-16 x 2-3/4", Zinc Plate
1H	2501583	2	Flanged Bearing	23	2500579	1	Retaining Ring, 1-1/4" External
1J	2501593	1	Shoulder Nut, 5/16-18	24	6030205	1	Inner Flange, 4" Dia.
1K	2900610	2	Flat Hd. Cap Screw, #10-32 x 5/8"	25	2501558	1	Key, 1/4" x 1/4" x .22"
1L	2900921	1	Set Screw, 1/4-20 x 1"	26	6030206	1	Outer Flange, 4" Dia.
1M	2501584	1	Steel Ball, Threaded and Chrome Plated	27	2900167	1	Jam Nut, 1-14 Left Hand
1N	2900923	1	Set Screw Cup Point, 5/16-18 x 1"	28	2900605	1	Dowel Pin, 3/8" Dia. x 7/8"
1P	2900022	2	Flat Washer, 5/16" SAE	29	2900014	2	Flat Washer, 3/8" SAE
1R	2900048	1	Hex Hd Cap Screw, 1/4-20 x 1-1/2"	30	2900018	2	Lock Nut, 3/8-16 Nylon
1S	2900024	2	Lock Washer, 1/4" Split	31	6000009		Motor & Blade Mount with Hoses & Fittings (Includes Items 18, 32 thru 38)
1T	2900125	1	Hex Nut, 1/4-20				
2	2501497	1	Valve, 3-Way, Single Selector Type	32	3200504	1	Tee, 1/2" M. JIC to 5/8" O-RING - 1/2"M. JIC
2A	2501294	1	Retaining Ring	33	3200535	1	Union, 1/2"F. JIC to 1/2" F. JIC
2B	2501295	1	Seal Kit (Not Shown)	34	2702334	1	In-Line Check Valve, #8 JIC 3/4"-16
3	2900538	2	Hex Hd. Cap Screw, 5/16-18 x 1-3/4"	35	3200536	1	Tee, 1/2" M. JIC to 1/2" M. JIC to 1/2" O Ring
4	2900031	2	Lock Washer, 5/16" Split	36	6030208	1	Hyd. Hose Assy., 1/2 " F. JIC to 45 Deg. F. JIC
5	6030204	2	Hydraulic Hose, 1/2 " F. JIC TO 1/2" M. PIPE	37	6030207	1	Hyd. Hose Assy., 1/2 " F. JIC to 90 Deg. F. JIC
6	3200104	1	Coupler, 1/2" Q.D., Flat Face Style	38	6030209	1	Hyd. Hose Assy., 1/2 " F. JIC to 90 Deg. F. JIC
7	3200105	1	Nipple, 1/2" Q.D., Flat Face Style	39	3200285	1	90 Deg. Elbow, 1/2" M. JIC to 1/2" M. O-Ring
8	3200508	1	Tee, 1/2" M. JIC to 3/4" M. O-RING	40	3200367	1	45 Deg. Elbow, 1/2" M. O-Ring TO 1/2" M. JIC
9	3200034	1	Water Petcock, 1/4" NPT	41	1800704	1	Maximum Flow Label, 14 GPM (1.3 C.I.)
10	3200042	1	Fitting, 1/4" M. Pipe- 3/4" F Garden Hose		1800705	1	Maximum Flow Label, 17 GPM (1.6 C.I.)
11	2503483	3	Hose Clamp, White Nylon	42	1800001	1	S.M.I. Warning Label
12	2900021	3	Pan Hd. Tapscrew, #10-24 X 3/8"	43	1800169	1	Serial Number Plate
13	6004892	1	Tubing, 1/4" O.D. x 14-1/4"	44	2900096	2	Aluminum Rivets, 3/32"Dia x 3/8"
14	3200187	2	Tube Fitting, 3/16"-1/8" NPT Hose Barb	45	2501559	1	Liner, 37-1/4" Long
15	6004893	1	Tubing, Clear 1/4" OD x 7"	46	2900290	2	Rivet,3/16" Dia.
				47	2900016	4	Flat Washer, #10 SAE

EQUIPMENT AND PARTS WARRANTY

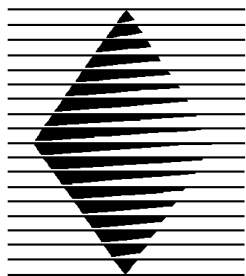
Diamond Products warrants all equipment manufactured by it against defects in workmanship or materials for a period of one (1) year from the date of shipment to Customer.

The responsibility of Diamond Products under this Warranty is limited to replacement or repair of defective parts at Diamond Products' Elyria, Ohio factory, or at a point designated by it, of such parts as shall appear to us upon inspection at such parts, to have been defective in material or workmanship, with expense for transportation and labor borne by Customer.

In no event shall Diamond Products be liable for consequential or incidental damages arising out of the failure of any Product to operate properly.

Integral units such as engines, electric motors, batteries, transmissions, etc., are excluded from this Warranty and are subject to the prime manufacturer's warranty.

THIS WARRANTY IS IN LIEU OF ALL OTHER WARRANTIES, EXPRESSED OR IMPLIED, AND ALL SUCH OTHER WARRANTIES ARE HEREBY DISCLAIMED.



DIAMOND PRODUCTS

333 Prospect Street, Elyria, Ohio 44035
(440) 323-4616 • (800) 321-5336 • Fax (440) 323-8689

www.diamondproducts.com