

**DIAMOND**  
PRODUCTS

MASONRY SAW  
PARTS LIST

**MODEL:**  
**CC500M**

(April 2005)

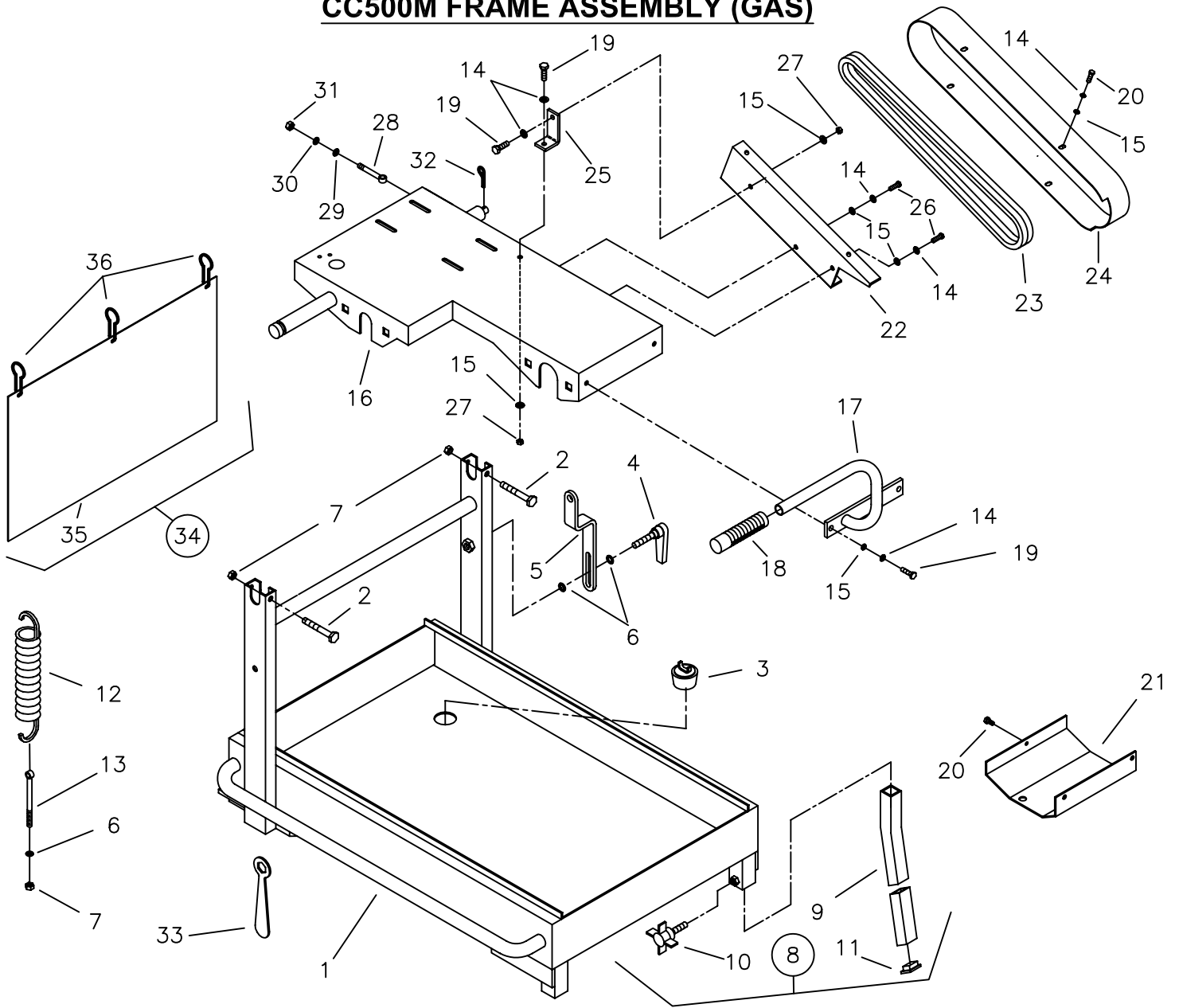
Part #1800657

Intentionally Blank

## Table of Contents

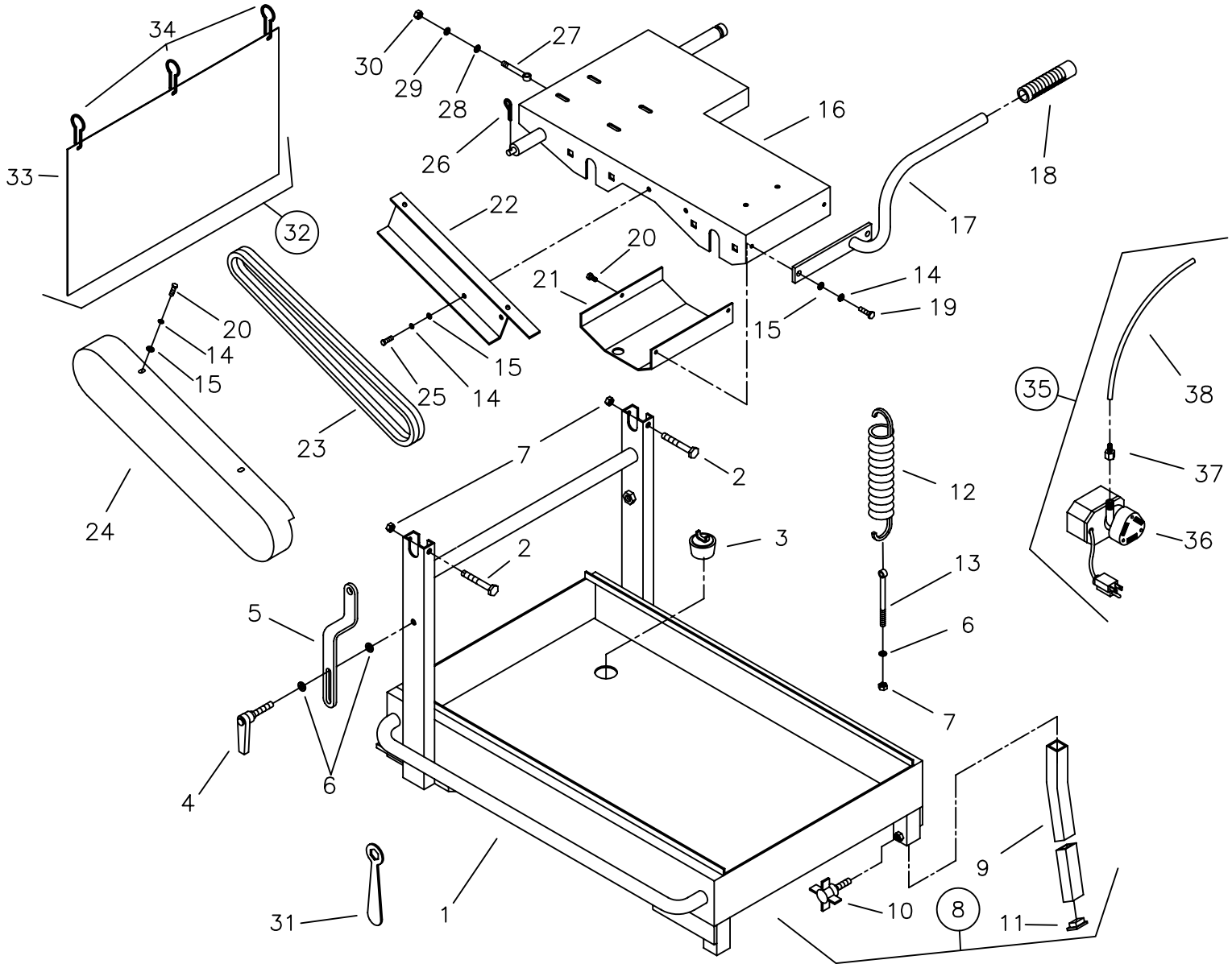
<u>Description</u>	<u>Page No.</u>
Frame Assembly (Gas).....	4
Frame Assembly, (Electric).....	5
Engine Assembly (Gas).....	6
Blade Shaft Assembly, (Gas).....	6
Motor Assembly, (Electric).....	7
Blade Shaft Assembly, (Electric).....	7
Pivot Shaft Assembly.....	8
Conveyor Cart Assembly.....	8
Blade Guard Assembly.....	9
Water Pump Assembly, (Gas) .....	10
Warranty.....	11

# CC500M FRAME ASSEMBLY (GAS)



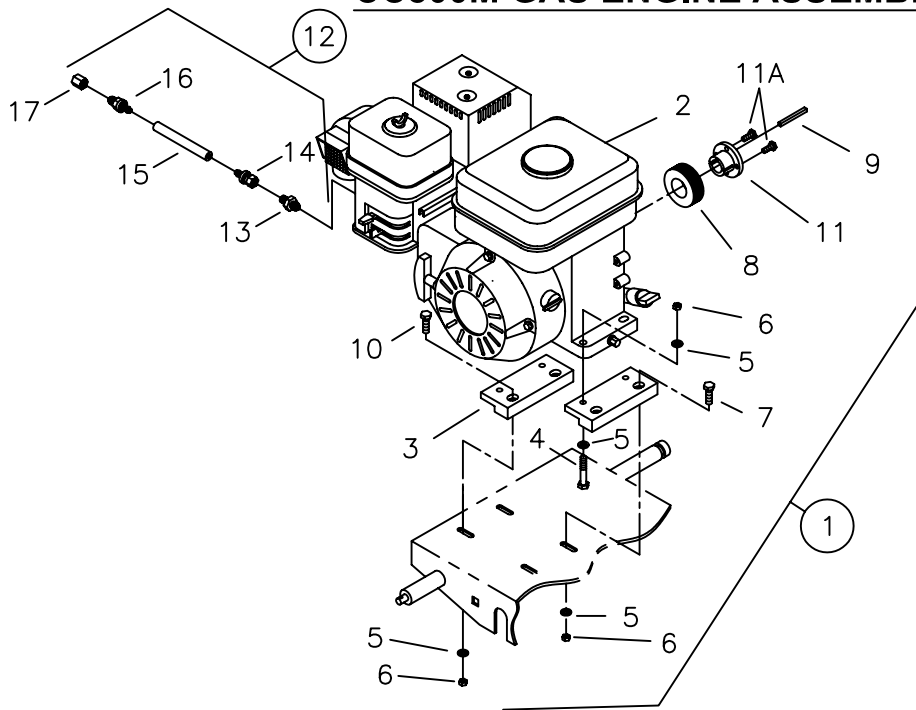
Item	Part No.	Qty.	Description	Item	Part No.	Qty.	Description
1	6030006	1	Frame Weldment	19	2900310	4	Capscrew , Hex Hd., M6 x 20mm
2	2900596	2	Capscrew , Soc Hd., 3/8"-16 x 2-1/2"	20	2900544	5	Capscrew , Hex Hd., M6 x 12mm
3	2500580	1	Plug, Rubber Drain	21	6030018	1	Blade Shaft Cover Plate
4	2500577	1	Lever, Adjustable w ith Stud	22	6030037	1	Belt Guard Mounting Bracket
5	6030012	1	Depth Lock	23	2500683	1	Poly-V Belt, 400J6
6	2900014	3	Flat Washer, 3/8" SAE	24	6030099	1	Belt Guard
7	2900018	3	Lock Nut, 3/8"-16 Nylon	25	6030065	1	Belt Guard Brace
8	6030044	1	Leg Kit	26	2900341	2	Capscrew , Hex Hd., M6 x 16mm
9	6030038	4	Leg	27	2900302	2	Lock Nut, M6 Nylon
10	2900234	4	Hand Lock Knob, 3/8"-16	28	2900545	1	Eyebolt, M8 x 80mm
11	2500573	4	Plug, 1" Square Tube	29	2900022	1	Flat Washer, 5/16" SAE
12	2500559	1	Extension Spring, 1-1/2"	30	2900031	1	Lock Washer, 5/16" Split
13	2900602	1	Eyebolt, 3/8"-16 x 6"	31	2900343	1	Hex Nut, M8
14	2900024	8	Lock Washer, 1/4" Split	32	2900262	1	Hair Pin Cotter
15	2900009	14	Flat Washer, 1/4" SAE	33	6030021	1	Hex Wrench, 3/4"
16	6030020	1	Cutting Head Weldment	34	6030029	1	Splash Guard Assembly
17	6030047	1	Handle Weldment	35	6030030	1	Splash Curtain Only
18	2500663	1	Hand Grip, 3/4"	36	2500816	3	Curtain Ring, 1"

## CC500M FRAME ASSEMBLY (ELECTRIC)



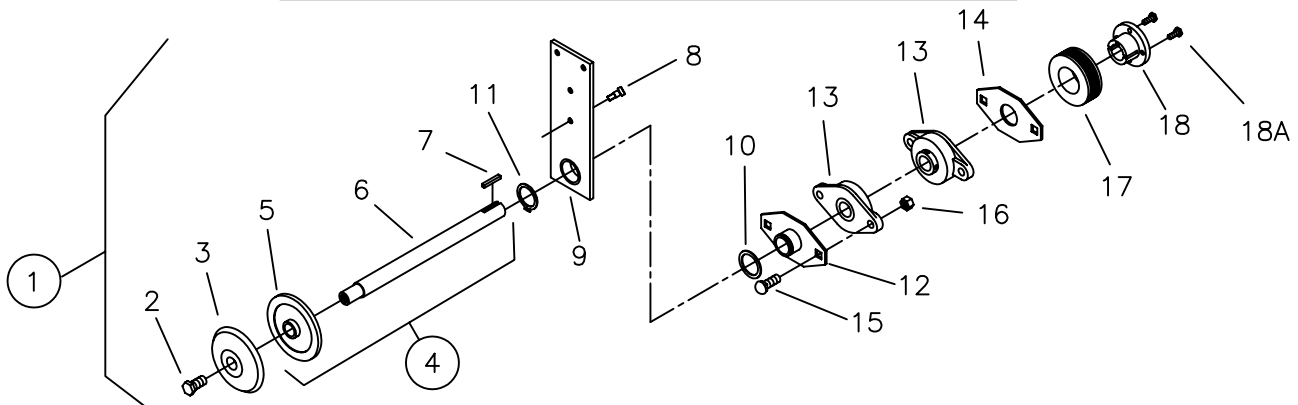
Item	Part No.	Qty.	Description	Item	Part No.	Qty.	Description
1	6030006	1	Frame Weldment	20	2900544	5	Capscrew , Hex Hd., M6 x 12mm
2	2900596	2	Capscrew , Soc Hd., 3/8"-16 x 2-1/2"	21	6030018	1	Blade Shaft Cover Plate
3	2500580	1	Plug, Rubber Drain	22	6030014	1	Belt Guard Mounting Bracket
4	2500577	1	Lever, Adjustable w ith Stud	23	2500032	2	V-Belt, 4L-390
5	6030012	1	Depth Lock	24	6030013	1	Belt Guard
6	2900014	3	Flat Washer, 3/8" SAE	25	2900341	2	Capscrew , Hex Hd., M6 x 16mm
7	2900018	3	Lock Nut, 3/8"-16 Nylon	26	2900262	1	Hair Pin Cotter
8	6030044	1	Leg Kit (Includes #9-#10)	27	2900323	1	Eyebolt, M8 x 60mm
9	6030038	4	Leg	28	2900022	1	Flat Washer, 5/16" SAE
10	2900234	4	Hand Lock Knob, 3/8"-16	29	2900031	1	Lock Washer, 5/16" Split
11	2500573	4	Plug, 1" Square Tube	30	2900343	1	Hex Nut, M8
12	2500559	1	Extension Spring, 1-1/2" Dia.	31	6030021	1	Hex Wrench, 3/4"
13	2900602	1	Eyebolt, 3/8"-16 x 6"	32	6030029	1	Splash Curtain Assembly (Includes # 78, #79)
14	2900024	8	Lock Washer, 1/4" Split	33	2500816	3	Curtain Ring, 1"
15	2900009	8	Flat Washer, 1/4" SAE	34	6030030	1	Splash Curtain Only
16	6030004	1	Cutting Head Weldment	35	6030060	1	Water Pump Assembly (Includes # 74 - # 76)
17	6030046	1	Handle Weldment	36	2600201	1	Submersible Water Pump Only
18	2500663	1	Hand Grip, 3/4"	37	3200231	1	Fitting, 1/4" Female Pipe to 1/4" Hose Barb
19	2900310	2	Capscrew , Hex Hd., M6 x 20mm	38	6030035	1	Hose, Water Pump

## CC500M GAS ENGINE ASSEMBLY



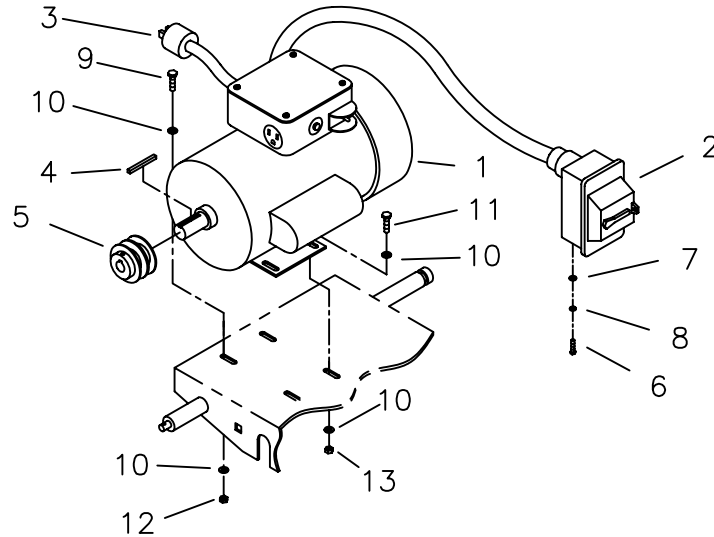
Item	Part No.	Qty.	Description	Item	Part No.	Qty.	Description
1	6030064	1	Engine Assembly	11	2500680	1	Split Taper Bushing G, 3/4" Bore (includes screws)
2	2600091	1	Engine, 5.5 Hp Honda				
3	6030051	2	Engine Mount	11A	2900023	2	Capscrew , Hex Hd., 1/4"-20 x 5/8"
4	2900538	4	Capscrew , Hex Hd., 5/16"-18 x 1-3/4"	12	6030108	1	Oil Drain Assembly
5	2900022	12	Flat Washer, 5/16" SAE	13	3200384	1	Fitting, M10 x 1.25mm Male to 1/4" Male JIC
6	2900039	8	Lock Nut, 5/16"-18 Nylon	14	3200091	1	Fitting, 1/4" Female JIC to 1/4" Push Lock
7	2900138	3	Capscrew, Hex Hd., 5/16"-18 x 1"	15	6048032	1	Oil Drain Hose, 1/4" I.D.
8	2500679	1	Sheave, Poly-V, 6J-2.24	16	3200040	1	Fitting, 1/4" Male JIC to 1/4" Push Lock
9	6048229	1	Key, 3/16" Sq. x 1-1/4"	17	3200006	1	Cap, 1/4" JIC
10	2900508	1	Capscrew, Hex. Hd., 5/16"-18 x 1-1/2"				

## CC500M BLADE SHAFT ASSEMBLY(GAS)



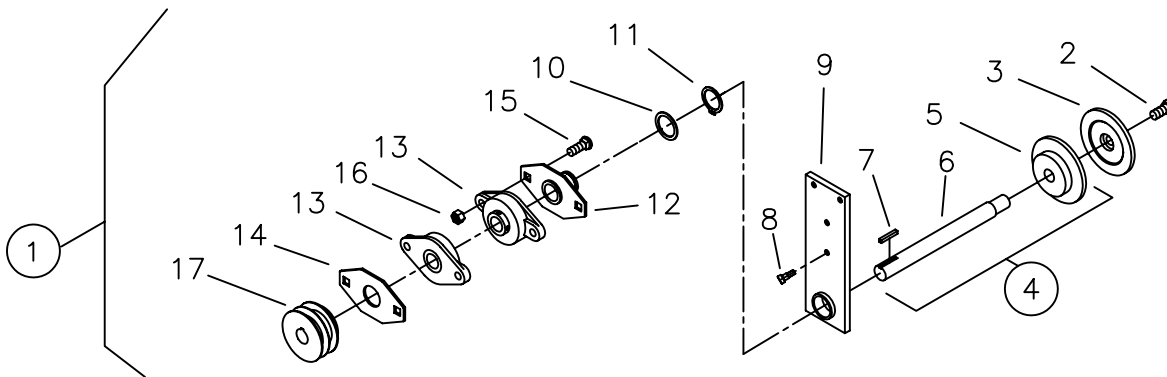
Item	Part No.	Qty.	Description	Item	Part No.	Qty.	Description
1	6030049	1	Blade Shaft Asembly	11	2400090	1	Retaining Ring, 1-3/8" External
2	2900539	1	Capscrew , Hex Hd., 1/2"-20 x 1" LH	12	6030000	1	Blade Guard Pivot Spacer
3	6030008	1	Outer Flange, 3-7/8"	13	2500575	2	Flange Block Bearing, 7/8"
4	6030097	1	Bladeshaft Assembly (Includes: 5, 6)	14	6030015	1	Bearing Spacer
5	6030007	1	Inner Flange, 3-7/8"	15	2900324	4	Carriage Screw , M10 x 30mm
6	6030045	1	Blade Shaft Only	16	2900304	4	Lock Nut, M10 Nylon
7	6048229	1	Key, 3/16" Sq. x 1-1/4"	17	2500681	1	Sheave, Poly-V, 6J-3.00
8	2900253	1	Shoulder Screw , 3/8-16" x 3/8"	18	2500682	1	Split Taper Bushing H, 7/8" Bore-w /screw s
9	6030009	1	Pivot Plate Assembly	18A	REF	2	Capscrew , Hex Hd., 1/4"-20 x 7/8"
10	2501173	1	Wave Disc Spring				

## CC500M ELECTRIC MOTOR ASSEMBLY



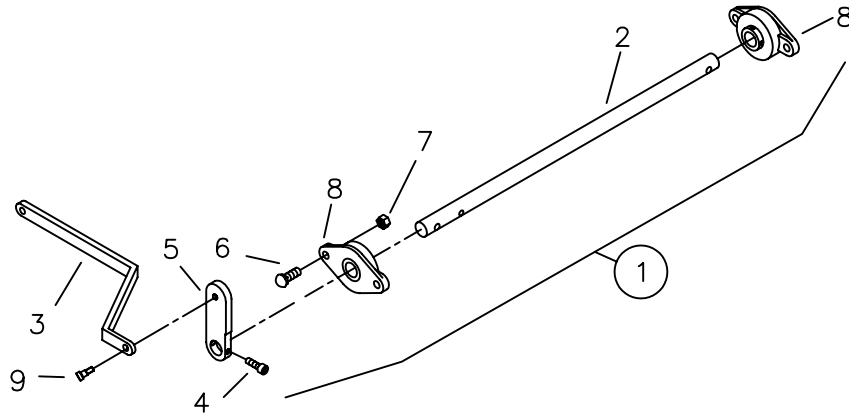
1	2600231	1	Electric Motor, 3.0 Hp - 1 Phase, 230-50HZ Baldor, (Includes # 1, # 2)	5	2500639	1	Pulley, 4L-2.25-2 Groove, 7/8" Bore
				6	2900008	2	Capscrew , Hex Hd., 1/4"-20 x 1"
	2600192	1	Electric Motor, 2.5 Hp - 1 Phase, 115/230V, Baldor (Includes # 1, # 2)	7	2900009	2	Flat Washer, 1/4" SAE
				8	2900024	2	Lock Washer, 1/4" Split
	2600194	1	Electric Motor, 1.5 Hp - 1 Phase, 115/230V, Baldor (Includes # 1, # 2)	9	2900217	1	Capscrew , Hex Hd., 5/16"-18 x 1-1/4"
				10	2900022	8	Flat Washer, 5/16" SAE
2	2800232	1	Motor Switch	11	2900329	3	Capscrew , Hex Hd., M8 x 20mm
3	2800087	1	Plug, 125V, 20 Amp	12	2900039	1	Lock Nut, 5/16"
	2800230	1	Plug, 250V, 15 Amp	13	2900303	3	Lock Nut, M8 Nylon
4	6048229	2	Key, 3/16" Square x 1-1/4" Long				

## CC500M BLADE SHAFT ASSEMBLY (ELECTRIC)



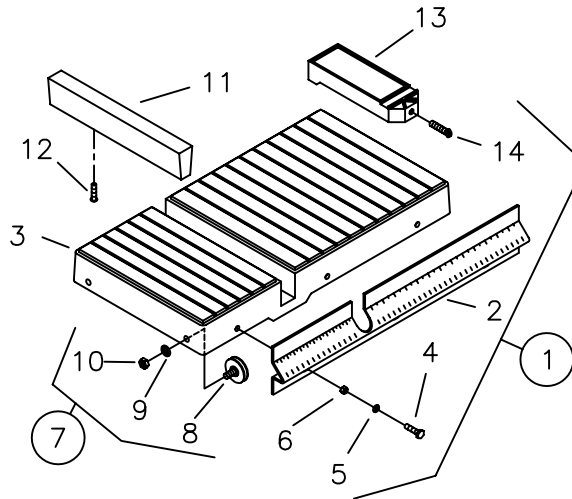
Item	Part No.	Qty.	Description	Item	Part No.	Qty.	Description
1	6030025	1	Blade Shaft Assembly	10	2501173	1	Wave Disc Spring
2	2900182	1	Capscrew , Hex Hd., 1/2"-20 x 1"	11	2400090	1	Retaining Ring, 1-3/8" External
3	6030008	1	Outer Flange, 3-7/8"	12	6030000	1	Blade Guard Pivot Spacer
4	6030096	1	Bladeshaft Assembly	13	2500575	2	Flange Block Bearing, 7/8"
5	6030007	1	Inner Flange, 3-7/8"	14	6030015	1	Bearing Spacer
6	6030003	1	Blade Shaft Only	15	2900324	4	Carriage Screw , M10 x 30mm
7	6048229	1	Key, 3/16" Square x 1-1/4" Long	16	2900304	4	Lock Nut, M10 Nylon
8	2900253	1	Shoulder Screw , 3/8-16" x 3/8"	17	2500640	1	Pulley, 4L-3.05-2 Groove, 7/8" Bore
9	6030009	1	Pivot Plate Assembly				

## CC500M PIVOT SHAFT ASSEMBLY



Item	Part No.	Qty.	Description	Item	Part No.	Qty.	Description
1	6030063	1	Pivot Shaft Assembly	6	2900324	4	Carriage Screw , M10 x 30mm
2	6030061	1	Pivot Shaft Only	7	2900304	4	Lock Nut, M10 Nylon
3	6030017	1	Leveling Arm	8	2500575	2	Flange Block Bearing, 7/8"
4	2900103	1	Capscrew , Soc. Hd., 5/16"-18 x 1"	9	2900253	1	Shoulder Screw , 3/8-16" x 3/8"
5	6030001	1	Leveling Arm Attachment				

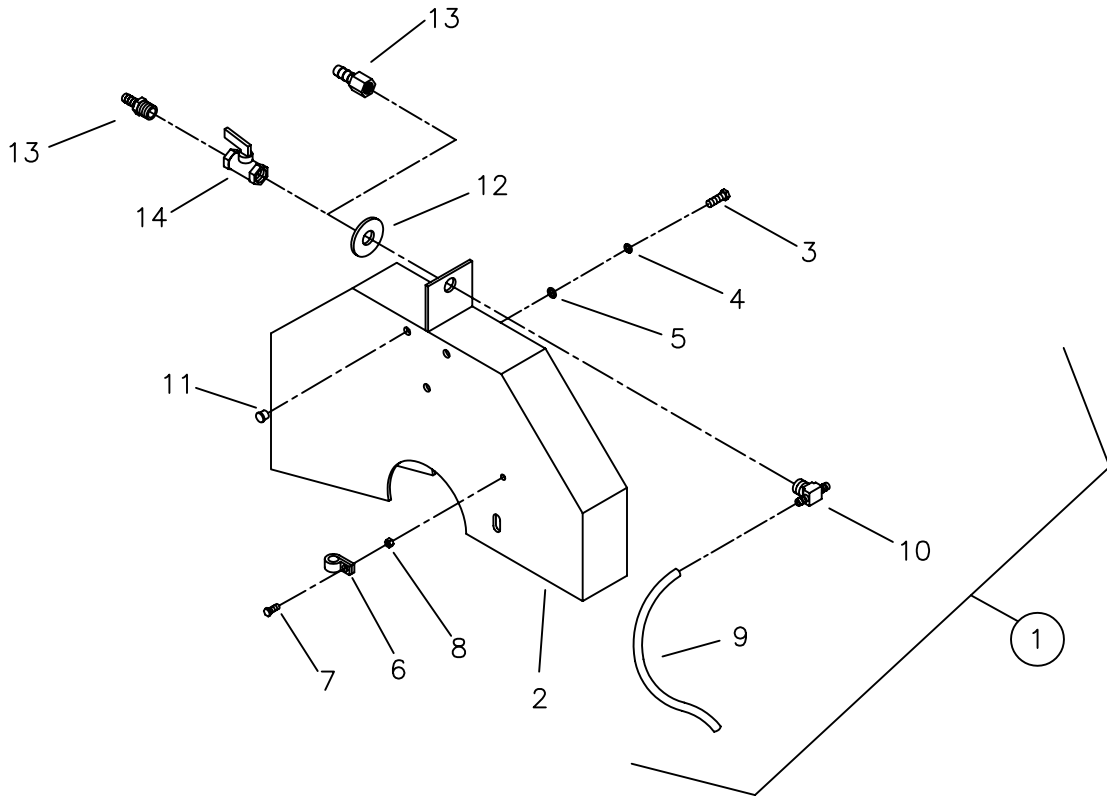
## CC500M CONVEYOR CART ASSEMBLY



Item	Part No.	Qty.	Description	Item	Part No.	Qty.	Description
1	6030031	1	Conveyor Cart Assembly (Electric)	6	2900302	3	Lock Nut, M6 Nylon
	6030056	1	Conveyor Cart Assembly (Gas)	7	6030304	1	Wheel Kit, Conveyor Cart
2	6030032	1	Measuring Stop (Electric)	8	2501859	4	Wheel, Conveyor Cart
	6030053	1	Measuring Stop (Gas)	9	2900284	4	Lock Washer, 5/16" Internal Tooth
	(2500659)	1	(Adhesive Rule, Left to Right)	10	2900283	4	Jam Nut, 5/16"-18
	(2500660)	1	(Adhesive Rule, Right to Left)	11	6030043	1	Cart Insert (includes # 12)
3	6030011	1	Conveyor Cart Only	12	2900070	2	Wood Screw , # 8 x 1"
4	2900311	3	Capscrew , Hex Hd., M6 x 25mm	13	6030022	1	Rip Guide
5	2900009	3	Flat Washer, 1/4" SAE	14	2900540	1	Thumb Screw , M6 x 30mm

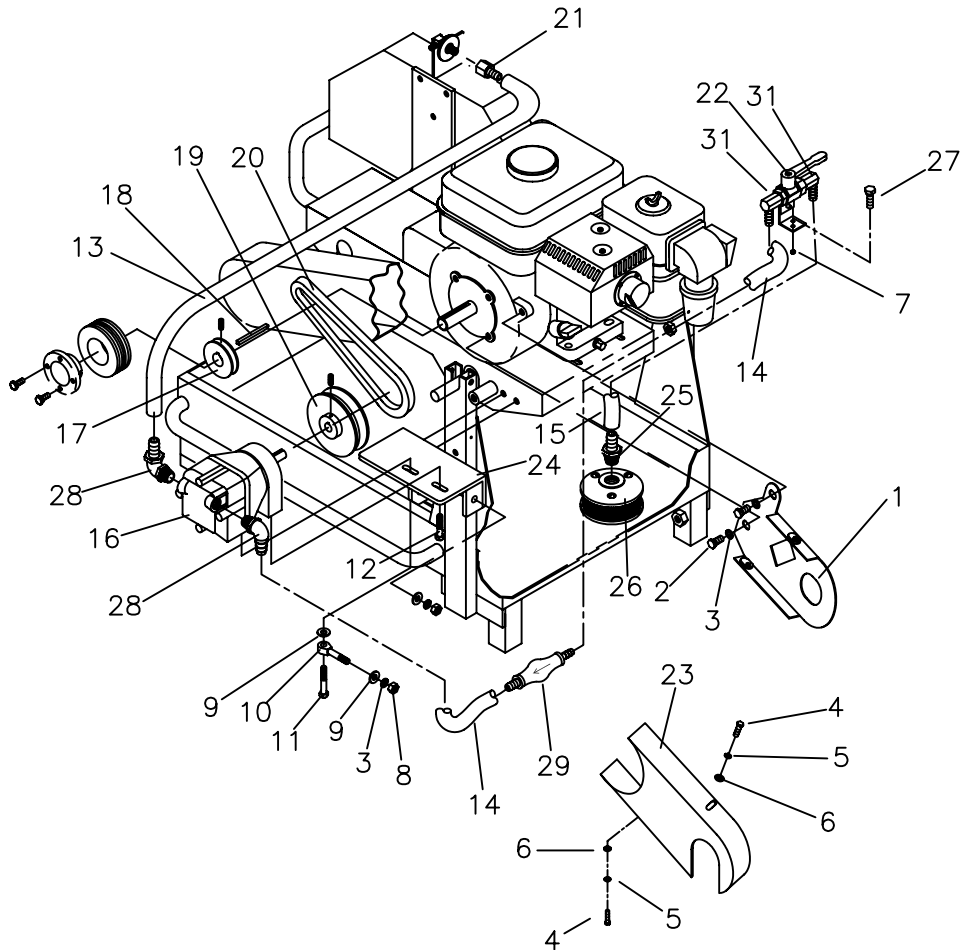


## CC500M BLADE GUARD ASSEMBLY



Item	Part No.	Qty.	Description
1	6030026	1	14" Blade Guard Assembly (Electric Motor)
	6030027	1	14" Blade Guard Assembly (Gas Engine)
2	6030016	1	14" Blade Guard Only
3	2900311	3	Capscrew , Hex Hd., M6 x 25mm
4	2900024	3	Lock Washer, 1/4" Split
5	2900009	3	Flat Washer, 1/4" SAE
6	3200039	2	Clamp, 3/8"
7	2900339	2	Capscrew , Hex Hd., M5 x 12mm
8	2900301	2	Lock Nut, M5 Nylon
9	6030028	2	Hose, Blade Guard
10	3200232	1	Tee, 1/4" Male Pipe to 1/4" Hose Barb
11	2500652	3	Plug, M6 Hole
12	2900127	1	Flat Washer, 1/2" U.S.
13	3200019	1	Fitting, 1/4" Male Pipe to 1/4"
			Hose Barb (Electric Motor)
	3200031	1	Fitting, 1/4" Female Pipe to 3/8"
			Hose Barb (Gas Engine)
14	3200233	1	Petcock, 1/4" Female Pipe (Electric Motor Only)

## CC555-H DIAPHRAM WATER PUMP ASSEMBLY #6030090



Item	Part No.	Qty.	Description
			17 2500921 1 Pulley, 3L-2.00 x 3/4" Bore
1	6030093	1	Belt Guard Mounting Bracket
2	2900589	2	Capscrew , Hex Hd. 5/16"-24 X 3/4"
3	2900031	4	Lock Washer, 5/16" Split
4	2900544	2	Capscrew , Hex Hd., M6 x 12mm
5	2900024	2	Lock Washer, 1/4" Split
6	2900009	2	Flat Washer, 1/4" SAE
7	2900301	2	Lock Nut, M5 Nylon
8	2900343	1	Hex Nut, M8
9	2900022	10	Flat Washer, 5/16" SAE
10	2900344	1	Eyebolt, M8 X 50 mm
11	2900217	1	Capscrew , Hex Hd. 5/16"-18 X 1-1/4"
12	2900019	1	Capscrew , Hex Hd. 5/16"-18 X 3/4"
13	3200052	1	Hose-3/8" Clear Coro Braid X 30" Lg.
14	3200052	2	Hose-3/8" Clear Coro Braid X 5-1/2" Lg.
15	3200052	1	Hose-3/8" Clear Coro Braid X 18" Lg.
16	6030174	1	Diaphragm Pump Assembly
			21 3200031 1 Fitting, 1/4" Female Pipe to 3/8" Hose Barb
			22 3200474 1 Valve, Water Flow , 1/4" NPT
			23 6030094 1 Belt Guard
			24 6030071 1 Water Pump Mounting Bracket
			25 3200234 1 Fitting, 1/2" Male NPT to 3/8" Hose Barb
			26 2501373 1 Inlet Strainer, 1/2" NPT
			27 2900339 2 Capscrew , Hex Hd., M5 x 12mm
			28 2702175 2 Port Fitting, 3/8" Barb (90 degree)
			29 2500926 1 Ultra Flow Bulb
			30 2501395 1 Valve Holding Bracket
			31 3200475 2 Fitting, 1/4" Male Pipe to 3/8" Hose Barb (90 degree)



## EQUIPMENT AND PARTS WARRANTY

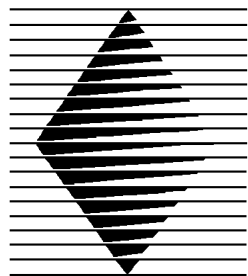
Diamond Products warrants all equipment manufactured by it against defects in workmanship or materials for a period of one (1) year from the date of shipment to Customer.

The responsibility of Diamond Products under this Warranty is limited to replacement or repair of defective parts at Diamond Products' Elyria, Ohio factory, or at a point designated by it, of such parts as shall appear to us upon inspection at such parts, to have been defective in material or workmanship, with expense for transportation and labor borne by Customer.

In no event shall Diamond Products be liable for consequential or incidental damages arising out of the failure of any Product to operate properly.

Integral units such as engines, electric motors, batteries, transmissions, etc., are excluded from this Warranty and are subject to the prime manufacturer's warranty.

**THIS WARRANTY IS IN LIEU OF ALL OTHER WARRANTIES, EXPRESSED OR IMPLIED, AND ALL SUCH OTHER WARRANTIES ARE HEREBY DISCLAIMED.**



# DIAMOND PRODUCTS

333 Prospect Street, Elyria, Ohio 44035  
(440) 323-4616 • (800) 321-5336 • Fax (440) 323-8689  
[www.diamondproducts.com](http://www.diamondproducts.com)