

# **DIAMOND**

## **PRODUCTS**

### **PAVER SAW**

### **PARTS LIST**

# **MODEL:**

# **CC407DF**

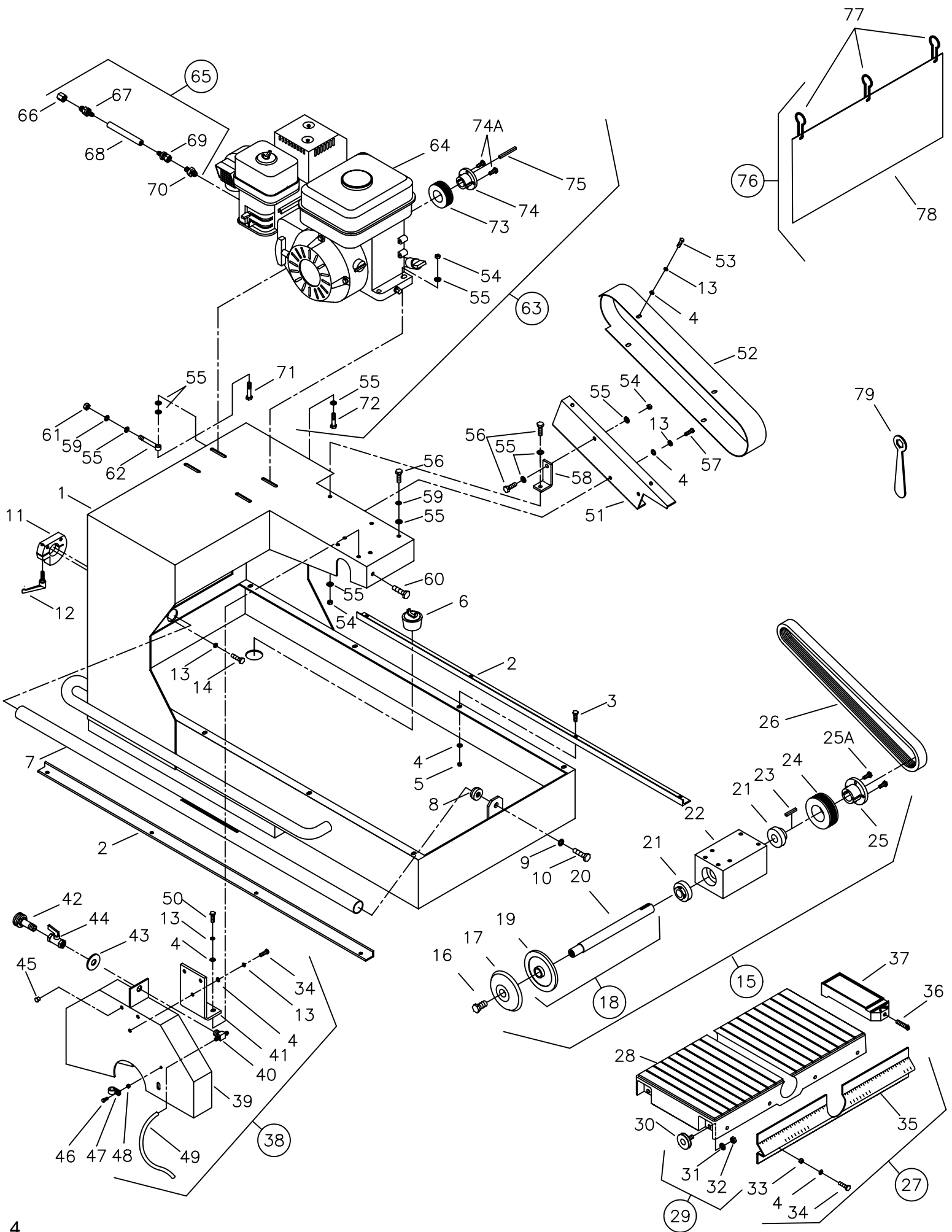
**(05-01-04)**

**PART#: 1800824**

Intentionally Blank

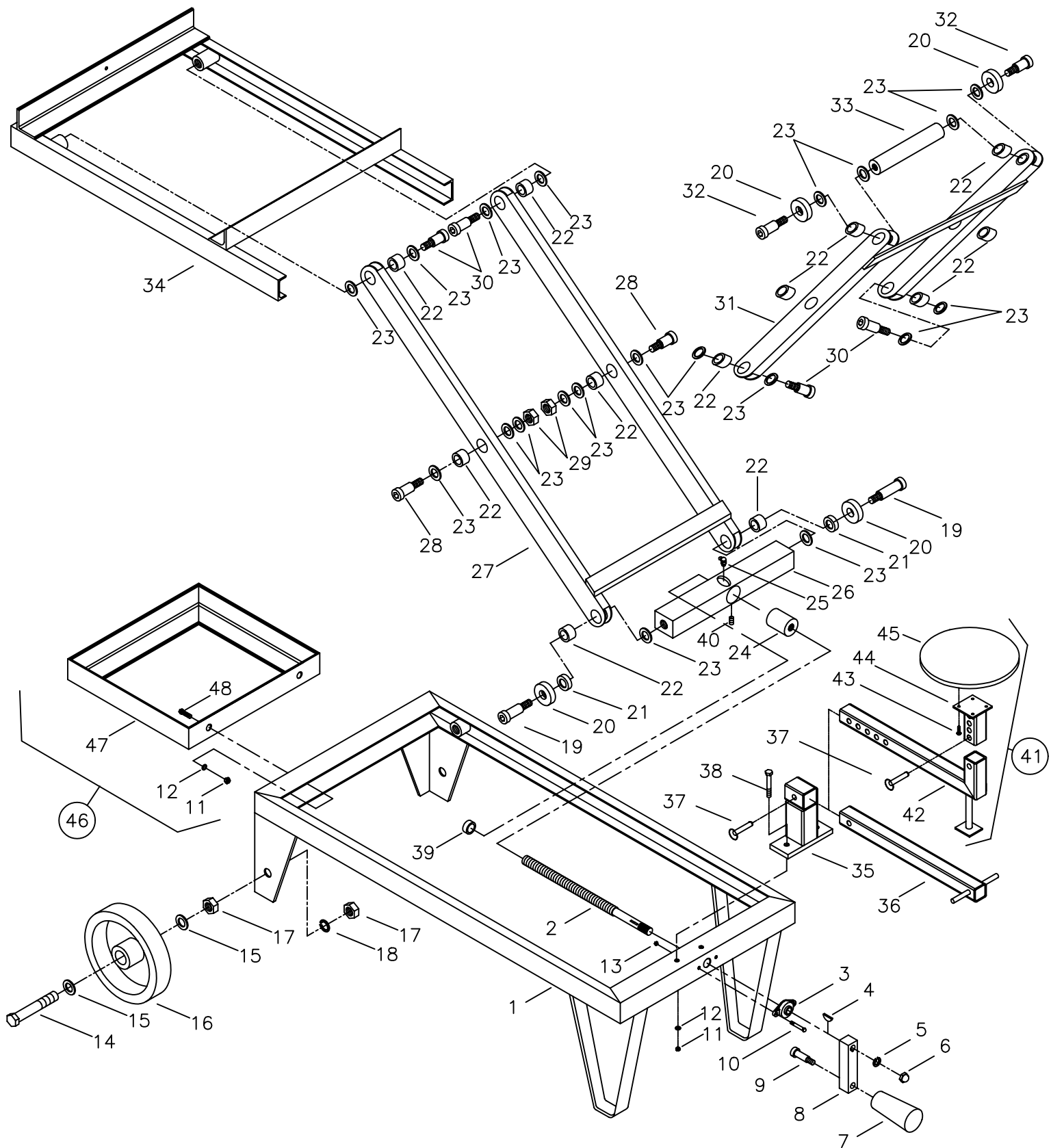
## Table of Contents

<u>Description</u>	<u>Page No.</u>
1. Paver Saw with Gas Engine.....	4-5
2. Paver Saw Options Group.....	6-7
3. Diaphragm Water Pump Option.....	8-9
4. Warranty.....	12



**Drawing I**  
**Paver Saw with Gas Engine**

Diagram Number	Part No.	Qty. Req.	Description	Diagram Number	Part No.	Qty. Req.	Description
1	6030215	1	Frame Weldment	41	6030050	1	Guard Mount
2	6030221	2	Rail	42	3200042	1	Fitting, 3/4" Female Garden to 1/4" Male Pipe
3	2900144	8	Cap Screw, Hex Hd., 1/4-20 x 3/4"	43	2900127	1	Flat Washer, 1/2" USS
4	2900009	22	Flat Washer, 1/4" SAE	44	3200233	1	Petcock 1/4" Female Pipe
5	2900010	8	Lock Nut, 1/4-20 Nylon	45	2500652	3	Plug, M6 Hole
6	2500580	1	Plug, Rubber Drain	46	2900339	2	Cap Screw, Hex Hd., M5 x 12mm
7	6030220	1	Tube	47	3200039	2	Clamp, 3/8"
8	6030218	1	Locator	48	2900301	2	Lock Nut, M5 Nylon
9	2900006	1	Lock Washer, 3/8" Split	49	6030028	2	Hose, Blade Guard
10	2900196	1	Cap Screw, Hex Hd., 3/8-16 x 3/4"	50	2900008	2	Cap Screw, Hex Hd., 1/4-20 x 1"
11	6030217	1	Mounting Flange	51	6030364	1	Belt Guard Mounting Bracket
12	2500577	1	Lever, Adjustable w/Stud	52	6030363	1	Belt Guard
13	2900024	12	Lock Washer, 1/4" Split	53	2900544	4	Cap Screw, Hex Hd., M6 x 12mm
14	2900008	2	Capscrew, Hex Hd., 1/4-20 x 1"	54	2900039	6	Lock Nut, 5/16-18 Nylon
15	6030211	1	Blade Shaft Assembly (Includes #16-25A)	55	2900022	20	Flat Washer, 5/16" SAE
16	2900539	1	Cap Screw, Hex Hd., 1/2-20 x 1" LH	56	2900138	6	Cap Screw, Hex Hd., 5/16-18 x 1"
17	6030008	1	Outer Flange, 4" Dia	57	2900341	1	Cap Screw, Hex Hd., M6 x 16mm
18	6030248	1	Blade Shaft (Includes #19-20)	58	6030065	1	Belt Guard Brace
19	6030007	1	Inner Flange, 4" Dia	59	2900031	6	Lock Washer, 5/16" Split
20	6030212	1	Blade Shaft Only	60	2900312	2	Cap Screw, Hex Hd., M6 x 35mm
21	2501726	2	Bearing, 7/8" ID	61	2900343	2	Hex Nut, M8
22	6030213	1	Housing, Blade Shaft	62	2900545	2	Eyebolt, M8 x 80mm
23	6048229	1	Key, 3/16" Square x 1-1/4" Long	63	6030214	1	Engine Assembly - Honda
24	2500681	1	Sheave, Poly-V, 6J-3.00		6030241	1	Engine Assembly - Robin (Includes #54,55,64-75)
25	2500682	1	Split Taper Bushing H, 7/8" Bore	64	2600313	1	Engine, 6.5 Hp Honda
25A	REF	2	Cap Screw, Hex Hd., 1/4-20 x 7/8"		2600367	1	Engine, 7.0 Hp Robin
26	2501755	1	Poly-V Belt, 360J6	65	6030108	1	Oil Drain Hose Assembly Honda
27	6030233	1	Conveyor Cart Assembly (Includes #4,28-37)		6048043	1	Oil Drain Hose Assembly Robin (Includes #66-70)
28	6030216	1	Conveyor Cart Only	66	3200006	1	Cap, 1/4" JIC
29	6030371	1	Wheel Kit, Conveyor Cart (Includes #30-32)	67	3200040	1	Fitting, 1/4" Male JIC to 1/4" Push Lock
30	2501710	4	Wheel, Conveyor Cart	68	6048032	1	Oil Drain Hose, 1/4" I.D.
31	2900284	4	Lock Washer, 5/16" Internal Tooth	69	3200091	1	Fitting, 1/4" Female JIC to 1/4" Push Lock
32	2900283	4	Jam Nut, 5/16-18		3201270	1	Fitting, 1/4" Male Pipe to 1/4" Push Lock
33	2900302	4	Lock Nut, M6 Nylon	70	3200384	1	Fitting, M10 x 1.25mm Male to 1/4" Male JIC
34	2900311	7	Capscrew, Hex Hd., M6 x 25mm		3201269	1	Fitting, M14 x 1.5mm Male to 1/4" Female Pipe
35	6030362	1	Measuring Stop	71	2900538	2	Cap Screw, Hex Hd., 5/16-18 x 1-3/4"
	(2500659)	1	(Adhesive Rule, Left to Right)	73	2900508	2	Cap Screw, Hex Hd., 5/16-18 x 1-1/2"
	(2500660)	1	(Adhesive Rule, Right to Left)	73	2500679	1	Sheave, Poly-V, 6J-2.24
36	2900540	1	Thumb Screw, M6 x 30mm	74	2500680	1	Split Taper Bushing G, 3/4" Bore
37	6030022	1	Rip Guide	74A	2900023	2	Cap Screw, Hex Hd., 1/4-20 x 5/8"
38	6030242	1	14" Blade Guard Assembly (Includes #4,34,39-51)	75	6030106	1	Key, Bevel End, 3/16" Sq. x 2"
39	6030016	1	14" Blade Guard Only	76	6030372	1	Splash Curtain Assembly (Includes #77-78)
40	3200232	1	Tee, 1/4" Male Pipe to 1/4" Hose Barb	77	2500816	3	Curtain Ring, 1"
				78	6030373	1	Splash Curtain Only
				79	6030021	1	Hex Wrench, 3/4"

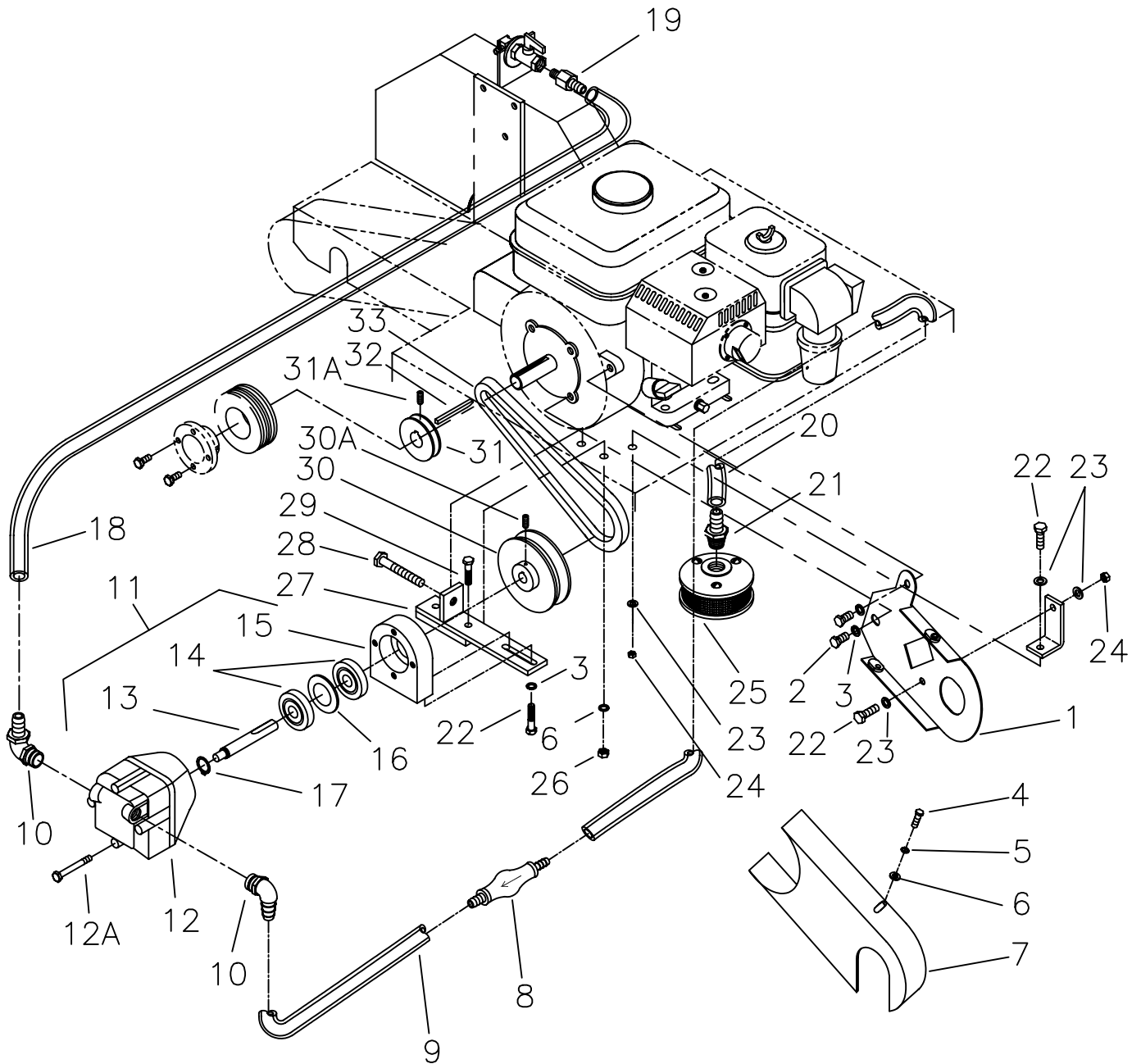


CC407DF OPTIONS

SCISSORS STAND #6030300  
SEAT ASSEMBLY #6030301  
VACUUM ATTACHMENT #6030302

**Drawing II**  
**Paver Saw Options Group**

Diagram Number	Part No.	Qty. Req.	Description	Diagram Number	Part No.	Qty. Req.	Description
1	6030226	1	Frame	26	6030228	1	Connecting Bar
2	6030231	1	Adjustment Screw	27	6030355	1	Lifting Link #2
3	2500010	1	Flange Block Bearing, 1/2"	28	2900664	2	Shoulder Screw, 5/8" Dia x 1-3/4"
4	2900063	1	Woodruff Key, 1/8" x 5/8"	29	2900026	2	Lock Nut, 1/2-13 Nylon
5	2900084	1	Lock Washer, 1/2" Split	30	2900663	4	Shoulder Screw, 5/8" Dia x 1-1/4"
6	2900037	1	Hex Nut, 1/2-13	31	6030354	1	Lifting Link #1
7	2500072	1	Handle	32	2900513	2	Shoulder Screw, 5/8" Dia x 1-1/2"
8	6048128	1	Handle Base	33	6030229	1	Connecting Rod
9	2900012	1	Shoulder Screw, 1/2" Dia x 1-1/4"	34	6030227	1	Upper Frame
10	2900667	2	Cap Screw, Hex Hd., 1/4-20 x 3"	35	6030232	1	Mtg. Bracket
11	2900033	4	Hex Nut, 3/8-16	36	6030353	1	Handle
12	2900006	4	Lock Washer, 3/8" Split	37	2900657	2	Lock Pin
13	2900125	2	Hex Nut, 1/4-20	38	2900035	2	Cap Screw, Hex Hd., 3/8-16 x 3"
14	2900040	2	Cap Screw, Hex Hd., 3/4-10 x 4-1/2"	39	2400615	1	Set Collar, 3/4"
15	2900003	4	Flat Washer, 3/4" SAE	40	2900131	1	Set Screw, Soc. Hd., 3/8-16 x 3/8"
16	2500411	2	Wheel, 8" Dia	41	6030301	1	Seat Assembly (Includes #37,41-44)
17	2900041	4	Hex Nut, 3/4-10				
18	2900042	2	Lock Washer, 3/4" Split	42	6030352	1	Support
19	2900679	2	Shoulder Screw, 5/8" Dia x 2-1/4"	43	2900658	4	Wood Screw #8 x 3/4"
20	6030224	4	Roller	44	6030225	1	Seat Support
21	2500008	2	Set Collar, 5/8"	45	2501707	1	Seat
22	2501729	12	Sleeve Bearing	46	6030302	1	Vac Attachment (Includes #11,12,46-47)
23	2900002	20	Flat Washer, 5/8" SAE				
24	6090076	1	Brass Insert, 3/4-6 LH	47	6030365	1	Vacuum Support
25	2900193	1	Grease Fitting, 1/8" NPT x 45°	48	2900005	2	Cap Screw, Hex Hd., 3/8-16 x 1"



WATER PUMP OPTION FOR CC407DF  
#6030303



---

**Drawing III**  
**Diaphragm Water Pump Option**

---

Item No.	Part No.	Qty. Req.	Description
1	6030369	1	Mounting Bracket, Belt Guard
2	2900589	2	Cap Screw, Hex Hd., 5/16-24 x 3/4"
3	2900031	4	Lock Washer, 5/16" Split
4	2900544	2	Cap Screw, Hex Hd., M6 x 12mm
5	2900024	2	Lock Washer, 1/4" Split
6	2900009	4	Flat Washer, 1/4" SAE
7	6030094	1	Belt Guard
8	2500926	1	Ultra Flow Bulb
9	6030251	1	Hose, 3/8" Dia. x 5-1/2" Clear
10	2702175	2	Port Fitting, 3/8" Barb (90 Degree)
11	6030174	1	Diaphragm Pump Assembly (Includes #12-17)
12	2600288	1	Diaphragm Pump Head
12A	REF.	4	Cap Screw, Hex Hd., #10-32 x 3-3/4"
13	6030172	1	Pump Shaft
14	2500696	2	Bearing, 1/2 x 1-1/8 x 5/16
15	6030173	1	Pump Bearing Stand
16	2900239	1	Friction Washer, 1/2" Nylon
17	2500697	1	Retaining Ring, 1/2" Ext.
18	6030252	1	Hose, 3/8" Dia. x 30" Clear
19	3200030	1	Fitting, 1/4" Male Pipe x 3/8" Hose Barb
20	6030253	1	Hose, 3/8" Dia. x 24" Clear Coro Braid
21	3200234	1	Fitting, 1/2" Male Pipe x 3/8" Push Lock
22	2900138	4	Cap Screw, Hex Hd., 5/16-18 x 1"
23	2900022	4	Flat Washer, 5/16" SAE
24	2900039	2	Lock Nut, 5/16-18 Nylon
25	2501373	1	Inlet Strainer, 1/2" NPT
26	2900010	2	Lock Nut, 1/4-20 Nylon
27	6030366	1	Mounting Bracket, Water Pump
28	2900520	1	Tap Bolt, Hex Hd., 3/8-16 x 3"
29	2900052	2	Cap Screw, Hex Hd., 1/4-20 x 1-1/4"
30	2500922	1	Pulley, 3L-3.50 x 1/2" Bore
30A	REF.	1	Set Screw, Soc. Hd., 5/16-18 x 3/8"
31	2500921	1	Pulley, 3L-2.17 x 3/4" Bore
31A	2900056	1	Set Screw, Soc. Hd., 1/4-20 x 1/4"
32	6030106	1	Key, 3/16" SQ. x 2" Lg., Bevel End
33	2500927	1	V-Belt, 3L-240





## **EQUIPMENT AND PARTS WARRANTY**

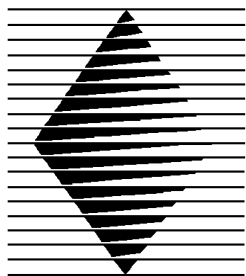
Diamond Products warrants all equipment manufactured by it against defects in workmanship or materials for a period of one (1) year from the date of shipment to Customer.

The responsibility of Diamond Products under this Warranty is limited to replacement or repair of defective parts at Diamond Products' Elyria, Ohio factory, or at a point designated by it, of such parts as shall appear to us upon inspection at such parts, to have been defective in material or workmanship, with expense for transportation and labor borne by Customer.

In no event shall Diamond Products be liable for consequential or incidental damages arising out of the failure of any Product to operate properly.

Integral units such as engines, electric motors, batteries, transmissions, etc., are excluded from this Warranty and are subject to the prime manufacturer's warranty.

**THIS WARRANTY IS IN LIEU OF ALL OTHER WARRANTIES, EXPRESSED OR IMPLIED, AND ALL SUCH OTHER WARRANTIES ARE HEREBY DISCLAIMED.**



# **DIAMOND PRODUCTS**

333 Prospect Street, Elyria, Ohio 44035  
(440) 323-4616 • (800) 321-5336 • Fax (440) 323-8689

[www.diamondproducts.com](http://www.diamondproducts.com)