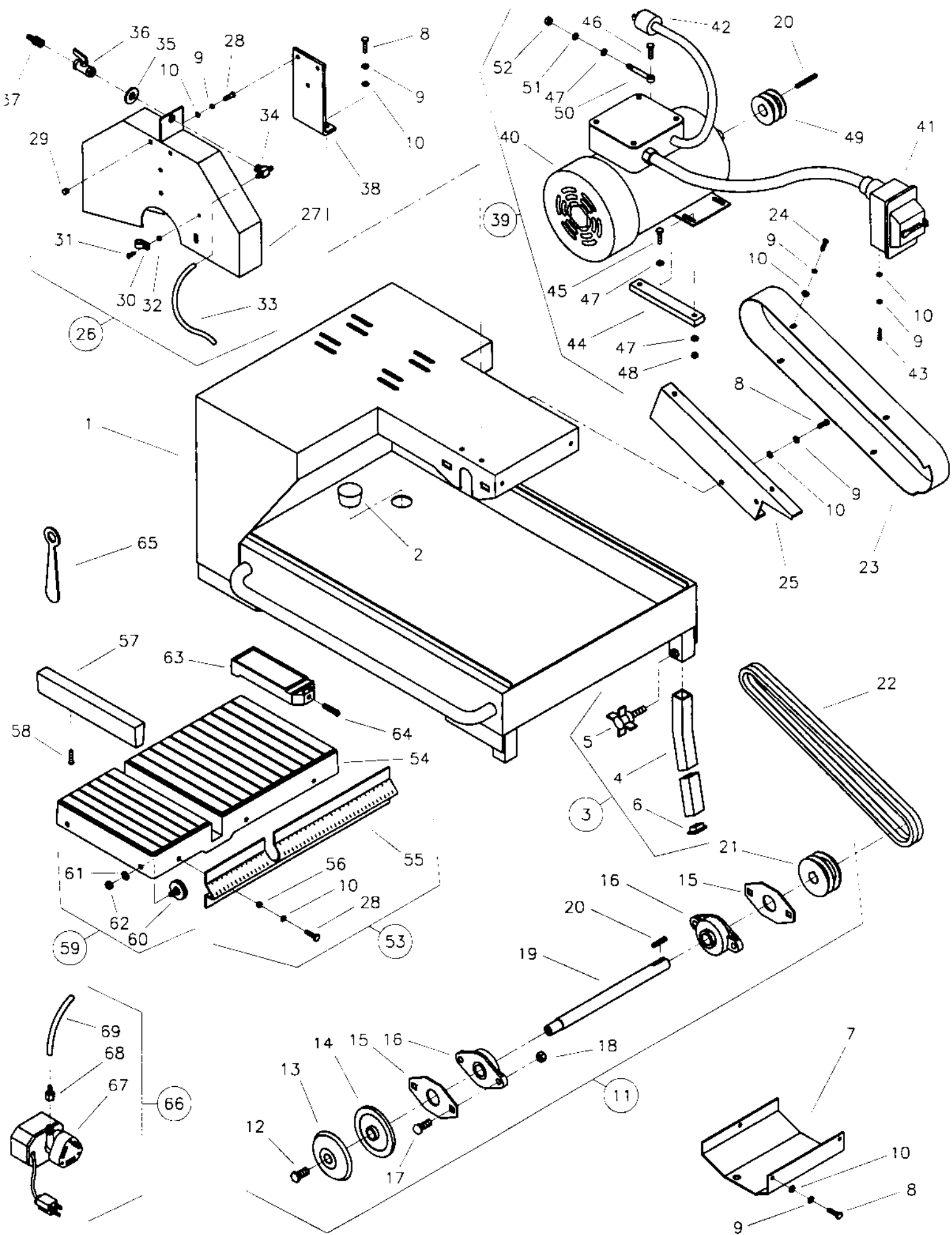


DIAMOND
PRODUCTS

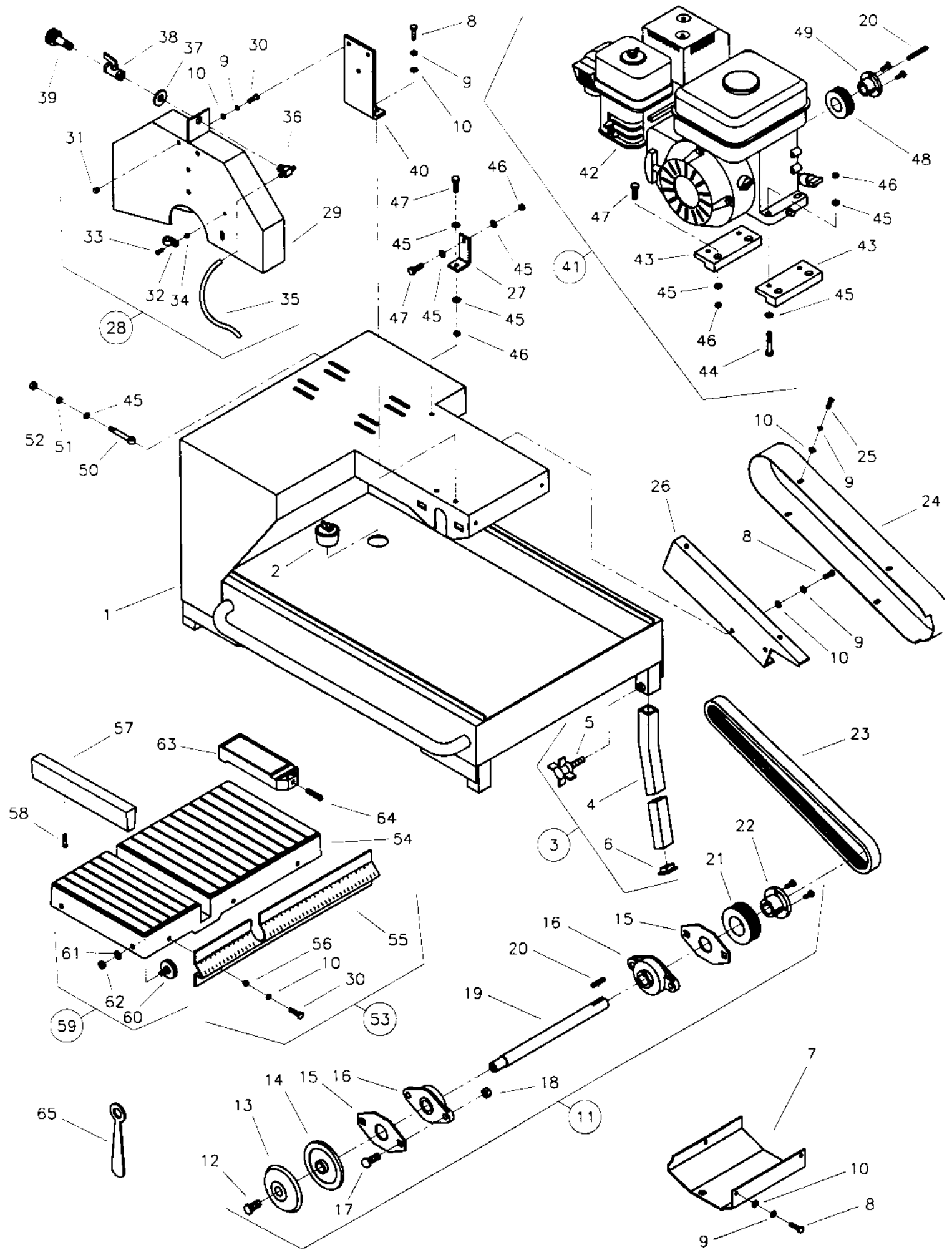
MASONRY SAW
PARTS LIST

MODEL
CC400M



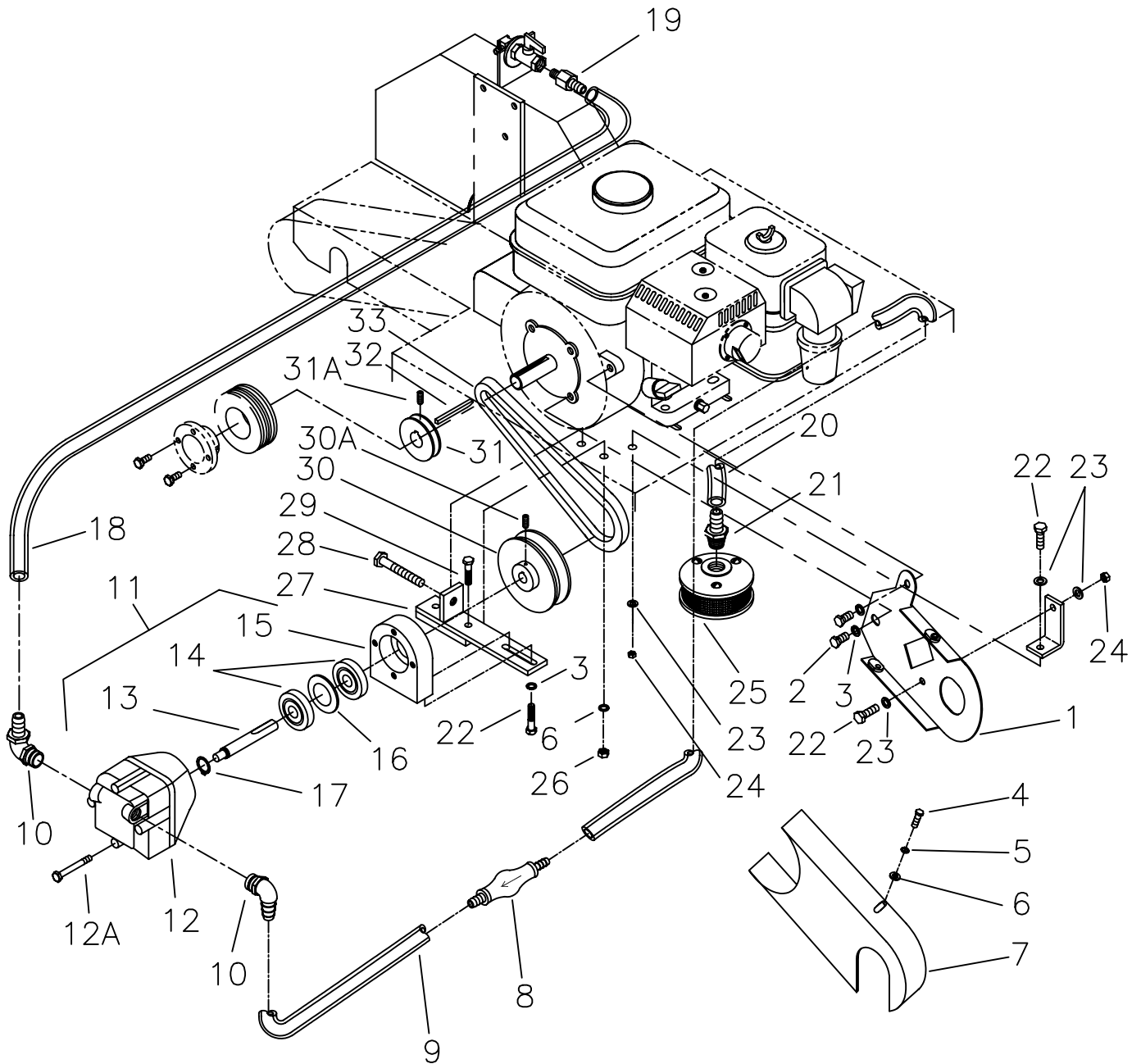
CC400M PARTS LIST
Paver Saw with Electric Motor

| Diagram Number | Part No. | Qty. Req. | Description | Diagram Number | Part No. | Qty. Req. | Description |
|----------------|----------|-----------|--|----------------|-----------|-----------|---|
| 1 | 6030055 | 1 | Frame Weldment | 39 | 6030067 | 1 | Motor Assembly, 2.5 Hp Electric (includes # 9, # 10, # 20, # 40 - # 49) |
| 2 | 2500580 | 1 | Plug, Rubber Drain | | | | |
| 3 | 6030044 | 1 | Leg Kit (includes # 4 - # 6) | | 6030068 | 1 | Motor Assembly, 1.5 Hp Electric (includes # 9, # 10, # 20, # 40 - # 49) |
| 4 | 6030038 | 4 | Leg | | | | |
| 5 | 2900234 | 4 | Hand Lock Knob, 3/8"-16 | 40 | 6030058 | 1 | Electric Motor, 2.5 Hp - 1 Phase. 115/230V, Baldor (includes # 41, # 42) |
| 6 | 2500573 | 4 | Plug, 1" Square Tube | | | | |
| 7 | 6030054 | 1 | Blade Shaft Cover Plate | | 6030059 | 1 | Electric Motor, 1.5 Hp - 1 Phase. 115/230V, Baldor (includes # 41, # 42) |
| 8 | 2900341 | 7 | Capscrew, Hex Hd., M6 x 16mm | | | | |
| 9 | 2900024 | 16 | Lock Washer, 1/4" Split | 41 | 2800232 | 1 | Motor Switch |
| 10 | 2900009 | 19 | Flat Washer, 1/4" SAE | 42 | 2800231 | 1 | Plug, 125V - 20 Amp |
| 11 | 6030052 | 1 | Blade Shaft Assembly (includes # 12 - # 21) | | 2800230 | 1 | Plug, 250V - 15 Amp |
| 12 | 2900539 | 1 | Capscrew, Hex Hd., 1/2"-20 x 1" Left Hand | 43 | 2900008 | 2 | Capscrew, Hex Hd., 1/4"-20 x 1" |
| 13 | 6030008 | 1 | Outer Flange, 3-7/8" | 44 | 6030041 | 2 | Motor Spacer |
| 14 | 6030007 | 1 | Inner Flange, 3-7/8" | 45 | 2900217 | 3 | Capscrew, Hex Hd., 5/16"-18 x 1-1/4" |
| 15 | 6030015 | 2 | Bearing Spacer | 46 | 2900508 | 1 | Capscrew, Hex Hd., 5/16"-18 x 1-1/2" |
| 16 | 2500575 | 2 | Flange Block Bearing, 7/8" | 47 | 2900009 | 9 | Flat Washer, 5/16" SAE |
| 17 | 2900324 | 4 | Carnage Screw, M10 x 30mm | 48 | 2900039 | 4 | Lock Nut, 5/16"-18 Nylon |
| 18 | 2900304 | 4 | Lock Nut, M10 Nylon | 49 | 2500639 | 1 | Pulley, 4L-2.25-2 Groove, 7/8" Bore |
| 19 | 6030045 | 1 | Blade Shaft Only | 50 | 2900545 | 1 | Eyebolt, M8 x 80mm |
| 20 | 6048229 | 2 | Key, 3/16" x 1-1/4" Long | 51 | 2900031 | 1 | Lock Washer, 5/16" Split |
| 21 | 2500640 | 1 | Pulley, 4L-3.05-2 Groove, 7/8" Bore | 52 | 2900343 | 1 | Hex Nut, M8 |
| 22 | 2500688 | 2 | V-Belt, 4L-370 | 53 | 6030056 | 1 | Conveyor Cart Assembly (includes # 10, # 28, # 54 - # 64) |
| 23 | 6030013 | 1 | Belt Guard | 54 | 6030011 | 1 | Conveyor Cart Only |
| 24 | 2900544 | 4 | Capscrew, Hex Hd., M6 x 12mm | 55 | 6030053 | 1 | Measuring Stop |
| 25 | 6030037 | 1 | Belt Guard Mounting Bracket | | (2500659) | 1 | (Adhesive Rule, Left to Right) |
| 26 | 6030026 | 1 | 14" Blade Guard Assembly (includes # 27 - # 38) | | (2500660) | 1 | (Adhesive Rule, Right to Left) |
| 27 | 6030016 | 1 | 14" Blade Guard Only | 56 | 2900302 | 3 | Lock Nut, M6 Nylon |
| 28 | 2900311 | 6 | Capscrew, Hex Hd., M6 x 25mm | 57 | 6030043 | 1 | Cart Insert (includes # 58) |
| 29 | 2500652 | 3 | Plug, M6 Hole | 58 | 2900070 | 2 | Wood Screw, Round Hd., # 8 x 1" |
| 30 | 3200039 | 2 | Clamp, 3/8" | 59 | 6030033 | 1 | Wheel Kit, Conveyor Cart (includes # 60 - # 62) |
| 31 | 2900339 | 2 | Capscrew, Hex Hd., M5 x 12mm | 60 | 2500582 | 4 | Wheel, Conveyor Cart |
| 32 | 2900301 | 2 | Lock Nut, M5 Nylon | 61 | 2900284 | 4 | Lock Washer, 5/16" Internal Tooth |
| 33 | 6030028 | 2 | Hose, Blade Guard | 62 | 2900283 | 4 | Jam Nut, 5/16"-18 |
| 34 | 3200232 | 1 | Tee, 1/4" Male Pipe to 1/4" Hose Barb | 63 | 6030022 | 1 | Rip Guide |
| 35 | 2900127 | 1 | Flat Washer, 1/2" U.S. | 64 | 2900540 | 1 | Thumb Screw, M6 x 30mm |
| 36 | 3200233 | 1 | Petcock, 1/4" Female Pipe | 65 | 6030021 | 1 | Hex Wrench, 3/4" |
| 37 | 3200019 | 1 | Fitting, 1/4" Male Pipe to 1/4" Hose Barb | 66 | 6030060 | 1 | Water Pump Assembly (includes # 67 - # 69) |
| 38 | 6030050 | 1 | Guard Mount | 67 | 2600201 | 1 | Submersible Water Pump Only |
| | | | | 68 | 3200231 | 1 | Fitting, 1/4" Female Pipe to 1/4" Hose Barb |
| | | | | 69 | 6030035 | 1 | Hose, Water Pump |



CC400M PARTS LIST
Paver Saw with Gas Engine

| Diagram Number | Part No. | Qty. Req. | Description | Diagram Number | Part No. | Qty. Req. | Description |
|----------------|----------|-----------|---|----------------|-----------|-----------|---|
| 1 | 6030055 | 1 | Frame Weldment | 36 | 3200232 | 1 | Tee, 1/4" Male Pipe to 1/4" Hose Barb |
| 2 | 2500580 | 1 | Plug, Rubber Drain | 37 | 2900127 | 1 | Flat Washer, 1/2" U.S. |
| 3 | 6030044 | 1 | Leg Kit (includes # 4 - # 6) | 38 | 3200233 | 1 | Petcock, 1/4" Female Pipe |
| 4 | 6030038 | 4 | Leg | 39 | 3200042 | 1 | Fitting, 1/4" Male Pipe to 3/4" Female Garden Hose |
| 5 | 2900234 | 4 | Hand Lock Knob, 3/8"-16 | 40 | 6030050 | 1 | Guard Mount |
| 6 | 2500573 | 4 | Plug, 1" Square Tube | 41 | 6030064 | 1 | Engine Assembly, 5.5 Hp Honda (includes # 20, # 42 - # 49) |
| 7 | 6030054 | 1 | Blade Shaft Cover | 42 | 2600091 | 1 | Engine, 5.5 Hp Honda |
| 8 | 2900341 | 7 | Capscrew, Hex Hd., M6 x 16mm | 43 | 6030051 | 2 | Engine Mount |
| 9 | 2900024 | 17 | Lock Washer, 1/4" Split | 44 | 2900538 | 4 | Capscrew, Hex Hd., 5/16"-18 x 1-3/4" |
| 10 | 2900009 | 14 | Flat Washer, 1/4" SAE | 45 | 2900022 | 17 | Flat Washer, 5/16" SAE |
| 11 | 6030052 | 1 | Blade Shaft Assembly (includes # 12 - # 22) | 46 | 2900039 | 10 | Lock Nut, 5/16"-18 Nylon |
| 12 | 2900539 | 1 | Capscrew, Hex Hd., 1/2"-20 Left Hand | 47 | 2900138 | 6 | Capscrew, Hex Hd., 5/16"-18 x 1" |
| 13 | 6030008 | 1 | Outer Flange, 3-7/8" | 48 | 2500679 | 1 | Sheave, Poly-V, 6J-2.24 |
| 14 | 6030007 | 1 | Inner Flange, 3-7/8" | 49 | 2500680 | 1 | Split Taper Bushing G. 3/4" Bore |
| 15 | 6030015 | 2 | Bearing Spacer | 50 | 2900344 | 1 | Eyebolt, M8 x 50mm |
| 16 | 2500575 | 2 | Flange Block Bearing, 7/8" | 51 | 2900031 | 1 | Lock Washer, 5/16" Split |
| 17 | 2900324 | 4 | Carriage Screw, M10 x 30mm | 52 | 2900343 | 1 | Hex Nut, M8 |
| 18 | 2900304 | 4 | Lock Nut, M10 Nylon | 53 | 6030056 | 1 | Conveyor Cart Assembly (includes # 10, # 30, # 54 - # 64) |
| 19 | 6030045 | 1 | Blade Shaft Only | 54 | 6030011 | 1 | Conveyor Cart Only |
| 20 | 6048229 | 2 | Key, 3/16" Square x 1-1/4" Long | 55 | 6030053 | 1 | Measuring Stop |
| 21 | 2500681 | 1 | Sheave, Poly-V 6J-3 00 | | (2500659) | 1 | (Adhesive Rule, Left to Right) |
| 22 | 2500682 | 1 | Split Taper Bushing H, 7/8" Bore | | (2500660) | 1 | (Adhesive Rule, Right to Left) |
| 23 | 2500683 | 1 | Poly-V Belt, 400J6 | 56 | 2900302 | 3 | Lock Nut, M6 Nylon |
| 24 | 6030013 | 1 | Belt Guard | 57 | 6030043 | 1 | Cart Insert (includes # 58) |
| 25 | 2900544 | 4 | Capscrew, Hex Hd., M6 x 12mm | 58 | 2900070 | 2 | Wood Screw, Round Hd., # 8 x 1" |
| 26 | 6030037 | 1 | Belt Guard Mounting Bracket | 59 | 6030033 | 1 | Wheel Kit, Conveyor Cart (includes # 60 - # 62) |
| 27 | 6030065 | 1 | Belt Guard Brace | 60 | 2500582 | 4 | Wheel, Conveyor Cart |
| 28 | 6030027 | 1 | 14" Blade Guard Assembly (includes # 9, # 10, # 29 - # 39) | 61 | 2900284 | 4 | Lock Washer, 5/16" Internal Tooth |
| 29 | 6030016 | 1 | 14" Blade Guard Only | 62 | 2900283 | 4 | Jam Nut, 5/16"-18 |
| 30 | 2900311 | 6 | Capscrew, Hex Hd., M6 x 25mm | 63 | 6030022 | 1 | Rip Guide |
| 31 | 2500652 | 3 | Plug, M6 Hole | 64 | 2900540 | 1 | Thumb Screw, M6 x 30mm |
| 32 | 3200039 | 2 | Clamp, 3/8" | 65 | 6030021 | 1 | Hex Wrench, 3/4" |
| 33 | 2900339 | 2 | Capscrew, Hex Hd., M5 x 12mm | | | | |
| 34 | 2900301 | 1 | Lock Nut, M5 Nylon | | | | |
| 35 | 6030028 | 2 | Hose, Blade Guard | | | | |



WATER PUMP OPTION FOR CC407DF

#6030303

Drawing III
Diaphragm Water Pump Option

| Item No. | Part No. | Qty. Req. | Description |
|----------|----------|-----------|---|
| 1 | 6030369 | 1 | Mounting Bracket, Belt Guard |
| 2 | 2900589 | 2 | Cap Screw, Hex Hd., 5/16-24 x 3/4" |
| 3 | 2900031 | 4 | Lock Washer, 5/16" Split |
| 4 | 2900544 | 2 | Cap Screw, Hex Hd., M6 x 12mm |
| 5 | 2900024 | 2 | Lock Washer, 1/4" Split |
| 6 | 2900009 | 4 | Flat Washer, 1/4" SAE |
| 7 | 6030094 | 1 | Belt Guard |
| 8 | 2500926 | 1 | Ultra Flow Bulb |
| 9 | 6030251 | 1 | Hose, 3/8" Dia. x 5-1/2" Clear |
| 10 | 2702175 | 2 | Port Fitting, 3/8" Barb (90 Degree) |
| 11 | 6030174 | 1 | Diaphragm Pump Assembly (Includes #12-17) |
| 12 | 2600288 | 1 | Diaphragm Pump Head |
| 12A | REF. | 4 | Cap Screw, Hex Hd., #10-32 x 3-3/4" |
| 13 | 6030172 | 1 | Pump Shaft |
| 14 | 2500696 | 2 | Bearing, 1/2 x 1-1/8 x 5/16 |
| 15 | 6030173 | 1 | Pump Bearing Stand |
| 16 | 2900239 | 1 | Friction Washer, 1/2" Nylon |
| 17 | 2500697 | 1 | Retaining Ring, 1/2" Ext. |
| 18 | 6030252 | 1 | Hose, 3/8" Dia. x 30" Clear |
| 19 | 3200030 | 1 | Fitting, 1/4" Male Pipe x 3/8" Hose Barb |
| 20 | 6030253 | 1 | Hose, 3/8" Dia. x 24" Clear Coro Braid |
| 21 | 3200234 | 1 | Fitting, 1/2" Male Pipe x 3/8" Push Lock |
| 22 | 2900138 | 4 | Cap Screw, Hex Hd., 5/16-18 x 1" |
| 23 | 2900022 | 4 | Flat Washer, 5/16" SAE |
| 24 | 2900039 | 2 | Lock Nut, 5/16-18 Nylon |
| 25 | 2501373 | 1 | Inlet Strainer, 1/2" NPT |
| 26 | 2900010 | 2 | Lock Nut, 1/4-20 Nylon |
| 27 | 6030366 | 1 | Mounting Bracket, Water Pump |
| 28 | 2900520 | 1 | Tap Bolt, Hex Hd., 3/8-16 x 3" |
| 29 | 2900052 | 2 | Cap Screw, Hex Hd., 1/4-20 x 1-1/4" |
| 30 | 2500922 | 1 | Pulley, 3L-3.50 x 1/2" Bore |
| 30A | REF. | 1 | Set Screw, Soc. Hd., 5/16-18 x 3/8" |
| 31 | 2500921 | 1 | Pulley, 3L-2.17 x 3/4" Bore |
| 31A | 2900056 | 1 | Set Screw, Soc. Hd., 1/4-20 x 1/4" |
| 32 | 6030106 | 1 | Key, 3/16" SQ. x 2" Lg., Bevel End |
| 33 | 2500927 | 1 | V-Belt, 3L-240 |

EQUIPMENT AND PARTS WARRANTY

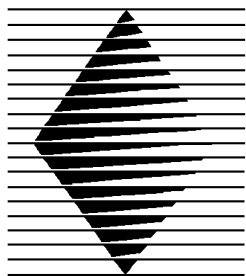
Diamond Products warrants all equipment manufactured by it against defects in workmanship or materials for a period of one (1) year from the date of shipment to Customer.

The responsibility of Diamond Products under this Warranty is limited to replacement or repair of defective parts at Diamond Products' Elyria, Ohio factory, or at a point designated by it, of such parts as shall appear to us upon inspection at such parts, to have been defective in material or workmanship, with expense for transportation and labor borne by Customer.

In no event shall Diamond Products be liable for consequential or incidental damages arising out of the failure of any Product to operate properly.

Integral units such as engines, electric motors, batteries, transmissions, etc., are excluded from this Warranty and are subject to the prime manufacturer's warranty.

THIS WARRANTY IS IN LIEU OF ALL OTHER WARRANTIES, EXPRESSED OR IMPLIED, AND ALL SUCH OTHER WARRANTIES ARE HEREBY DISCLAIMED.



DIAMOND PRODUCTS

333 Prospect Street, Elyria, Ohio 44035
(440) 323-4616 • (800) 321-5336 • Fax (440) 323-8689

www.diamondproducts.com