

DIAMOND PRODUCTS

SPECIALTY EQUIPMENT MANUFACTURING DIVISION

CURB SAW

Parts List



Models:
CS-2000-80
CS-2000-100

March 2011

Part #1801033

Intentionally Blank

CS-2000 PARTS LIST TABLE OF CONTENTS

<u>DESCRIPTION</u>	<u>PAGE NUMBER</u>
Recommended Spare Parts	4
Safety & Starting Procedures	5
Specification Sheet (CS-2000-80)	6
Specification Sheet (CS-2000-100)	7
Stroke Assembly 80HP (Pre 2005)	8-9
Stroke Assembly 100HP (Pre 2005)	10-11
Stroke Assembly 100HP (Post 2005)	12-13
Slide Assembly	14-15
Steering Assembly	16-17
Drive Assembly	18-19
Hydraulic Tank	20-21
Engine & Drive Pumps (80HP)	22-23
Engine & Drive Pumps (100HP)	24-25
Dash Panel	26-27
Main Frame	28-29
Blade Bolt Pattern	30
Machine Controls	31
Warranty	32

RECOMMENED SPARE PARTS

CS-2000-100

<u>Part Number</u>	<u>Qty</u>	<u>Description</u>
6040431	1	Blade Hub
2900728	6	Blade Bolts
2703158	1	Engine Oil Filter
2502876	1	Chain
2501948	1	#60 Master Link
2503325	1	Tire/Wheel Assembly
3200730	1	Hydraulic Return Filter

Replacement Filters

<u>Vendor</u>	<u>Part Number</u>	<u>Description</u>
John Deere	RE504826	Oil Filter
John Deere	RE509031	Fuel Filter
Donaldson	P781039	Outer Air
Donaldson	P777639	Inner Air

SAFETY & STARTING PROCEDURES

CURB CUTTING MACHINE

It is our sincere desire to help you work safely and profitably. Please take the time to read and follow the information supplied for your benefit. Should you require parts or service please call Diamond Products Specialty Equipment Division at 1-800-321-5336.

CAUTION:

1. Never attempt any adjustment or repair to the machine while the engine is running.
2. Never put hands or feet under the machine with engine running or serious injury will result.
3. Never work under the machine without first blocking the machine in the raised position, blocking the wheels and removing the key.
4. The brake on this machine is a parking brake. Be sure to set the parking brake before starting.
5. This machine is designed for use on hard flat surfaces. Use extreme caution when loading and unloading.
6. This machine has no lifting points. To lift, use slings under the base plate.

BEFORE STARTING:

1. Be sure the blade pump is turned off.
2. Place directional travel lever in neutral.
3. Set parking brake.
4. Set engine throttle control at high idle.
5. Start engine.

**CS-2000-80
CURB CUTTING MACHINE
SPECIFICATIONS**

Dimensions:

Length 130"
Height 87"
Width 62"
Weight 5800

Engine:

John Deere
Water Cooled
80HP at 2300 RPM
SAFETY FEATURE - Electronic Safety Shut Down System

Hydraulics:

75 Gallons Hydraulic Oil Tank Capacity
Blade Pump 40 GPM Pressure Flow Comp
Closed Loop Ground Drive Pump With Piggy Back Gear Pump For Cylinder Functions
6 Bank Control Valve
10 Micron Hydraulic Filters
High Efficiency Hydraulic Heats Exchanger
Hydraulic Flow Meter And Pressure Gauge

Control Panel:

Engine Temperature
Hour Meter
Volt Meter
Starter Switch
Oil Pressure Gauge
Strobe Light Switch
Tach

Blade Functions:

Maximum Blade Diameter - 36" Flush Cut
Maximum Plunge - 15"
Maximum Vertical - 10"
Maximum Right To Left Angle - 15 degrees
Maximum Reverse Angle with 20" Blade - 5 degrees

Fuel Tank Capacity:

28 US Gallons

Miscellaneous:

Mechanical Disc Parking Brake
16" Diameter Solid Rubber Wheels
Safety Strobe Light

Options:

Stanley Pole Grinder
Working Lights

**CS-2000-100
CURB CUTTING MACHINE
SPECIFICATIONS**

Dimensions:

Length 130"
Height 87"
Width 62"
Weight 5800

Engine:

John Deere
Water Cooled
100HP at 2300 RPM
SAFETY FEATURE - Electronic Safety Shut Down System

Hydraulics:

75 Gallons Hydraulic Oil Tank Capacity
Blade Pump 60 GPM Pressure Flow Comp
Closed Loop Ground Drive Pump With Piggy Back Gear Pump For Cylinder Functions
6 Bank Control Valve
10 Micron Hydraulic Filters
High Efficiency Hydraulic Heats Exchanger
Hydraulic Flow Meter And Pressure Gauge

Control Panel:

Engine Temperature
Hour Meter
Volt Meter
Starter Switch
Oil Pressure Gauge
Strobe Light Switch
Tach

Blade Functions:

Maximum Blade Diameter - 36" Flush Cut
Maximum Plunge - 15"
Maximum Vertical - 10"
Maximum Right To Left Angle - 15 degrees
Maximum Reverse Angle with 20" Blade - 5 degrees

Fuel Tank Capacity:

28 US Gallons

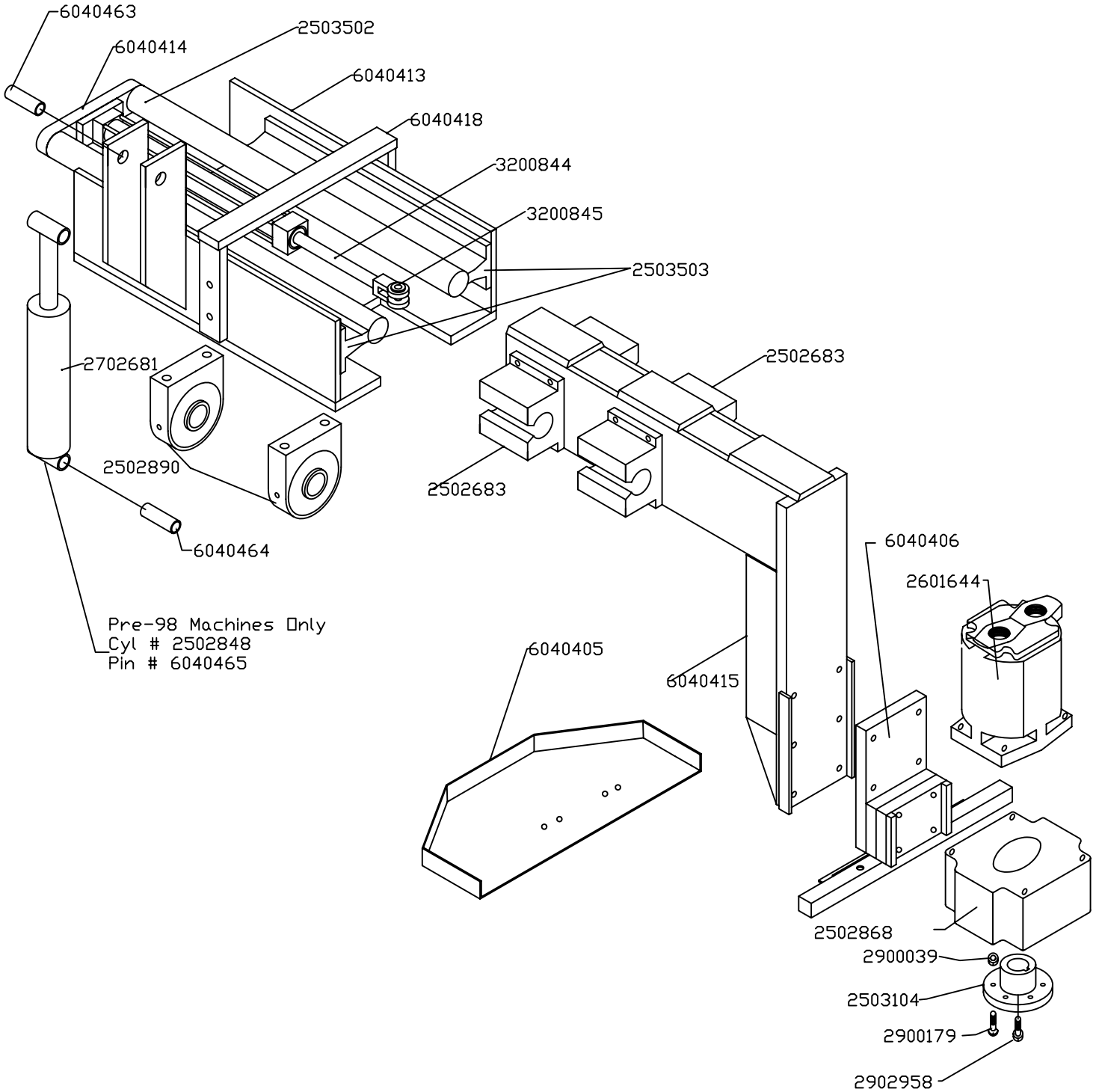
Miscellaneous:

Mechanical Disc Parking Brake
16" Diameter Solid Rubber Wheels
Safety Strobe Light

Options:

Stanley Pole Grinder
Working Lights

Drawing #1
80 HP Unit **Pre-2005**
Stroke Assembly



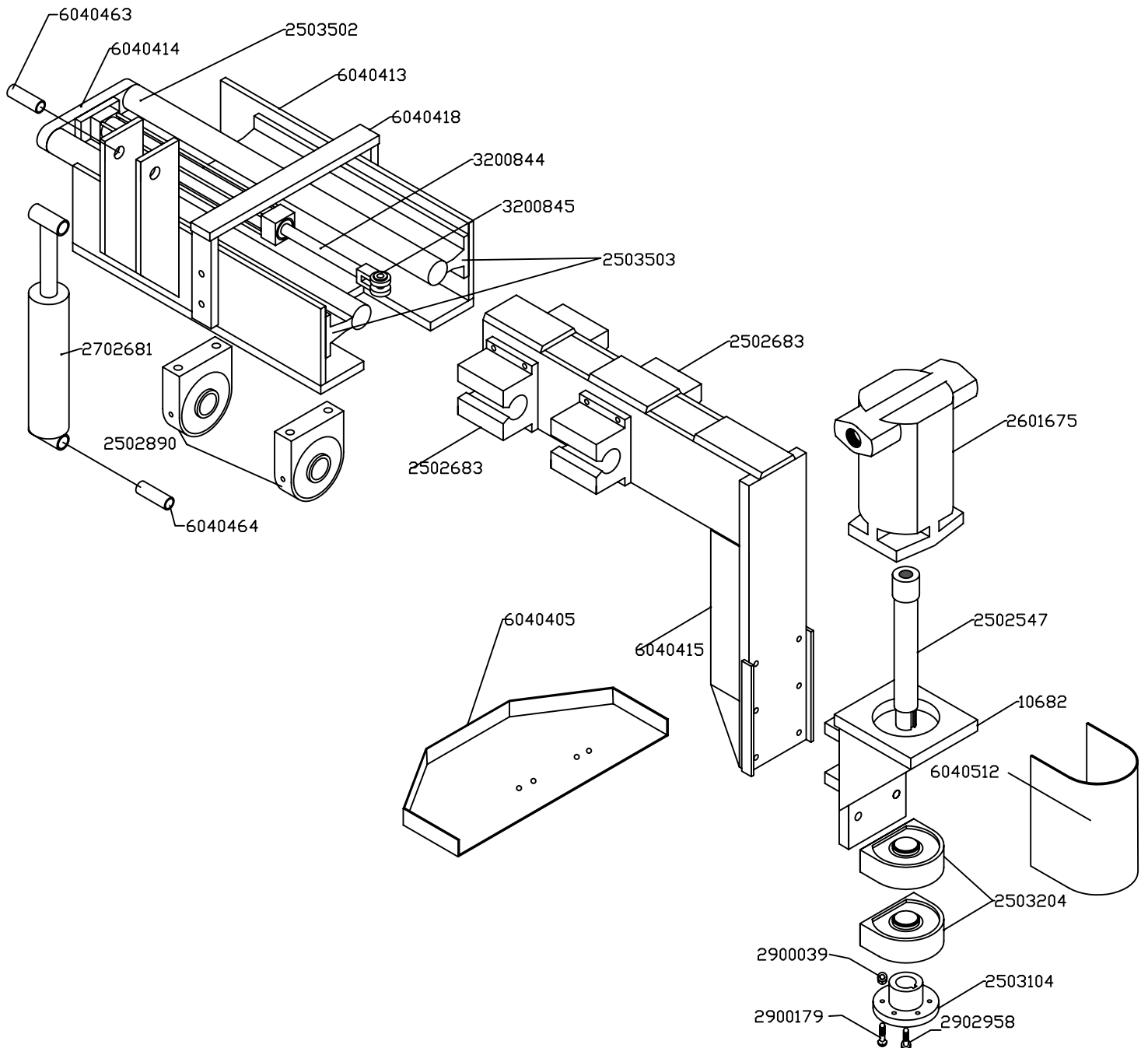
CS-2000 PARTS LIST DRAWING # 1

<u>Part Number</u>	<u>Qty. Required</u>	<u>Description</u>
2502683	2	Linear Bearing
2502848	1	Tilt Cylinder
2502868	1	Load Adapter
2502890	2	PB Bearing
2503104	1	Blade Hub
2503502	2	Linear Shaft
2503503	2	Linear Rail
2601644	1	Hydraulic Motor
2702681	1	Cylinder
2900039	1	Lock Nut
2900179	1	Capscrew
2902958	1	Capscrew
3200844	1	Cylinder
3200845	1	Female Clevis
6040405	1	Blade Guard Weldment
6040406	1	Blade Motor Mount Weldment
6040413	1	Rail Mount Plate Weldment
6040414	1	Cylinder Mount Weldment
6040415	1	Slide Bearing Mount Weldment
6040418	1	Rail Mount Plate Support Weldment
6040463	1	Tilt Cylinder Pin (Upper)
6040464	1	Tilt Cylinder Pin (Lower)
6040465	1	Cylinder Pin

Drawing # 2

100 Hp. Unit **Pre 2005**

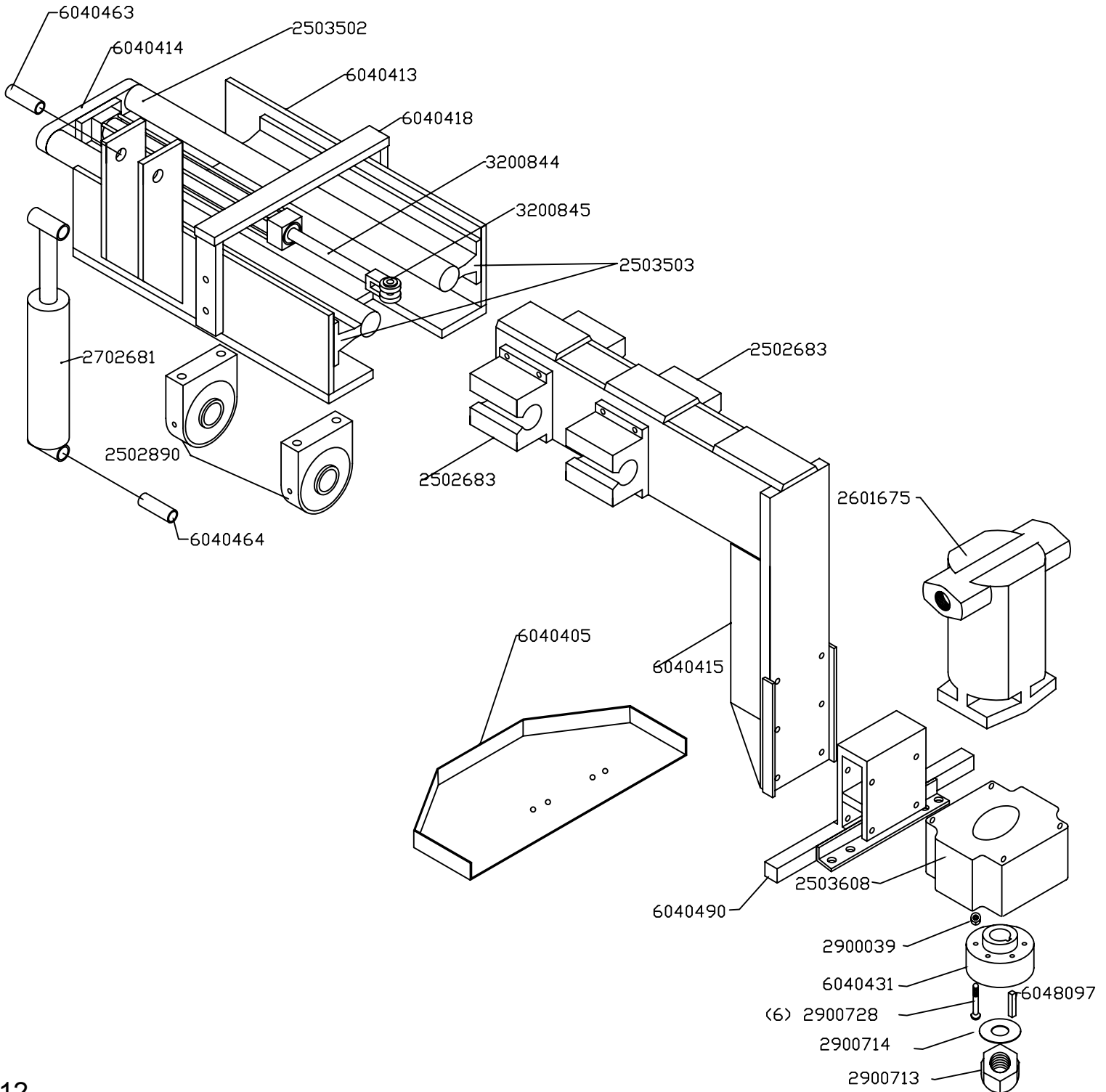
Stroke Assembly



CS-2000 PARTS LIST DRAWING # 2

<u>Part Number</u>	<u>Qty. Required</u>	<u>Description</u>
2502547	1	Blade Shaft
2502683	4	Linear Bearing
2502890	1	PB Bearing
2503104	1	Curb Saw Blade Hub
2503204	2	Pillow Block Bearing
2503502	2	Linear Shaft
2503503	2	Linear Rail
2601675	1	Motor
2702681	1	Cylinder
2900039	1	Locknut
2900179	1	Capscrew
2902958	1	Capscrew
3200844	1	Cylinder
3200845	1	Female Clevis
6040405	1	Blade Guard Weldment
6040413	1	Rail Mount Plate Weldment
6040414	1	Cylinder Mount Weldment
6040415	1	Slide Bearing Mount Weldment
6040418	1	Rail Mount Plate Support Weldment
6040463	1	Tilt Cylinder Pin (Upper)
6040464	1	Tilt Cylinder Pin (Lower)
6040512	1	Blade Shaft Cover

Drawing # 13
100 Hp. Unit **Post-2005**
Stroke Assembly

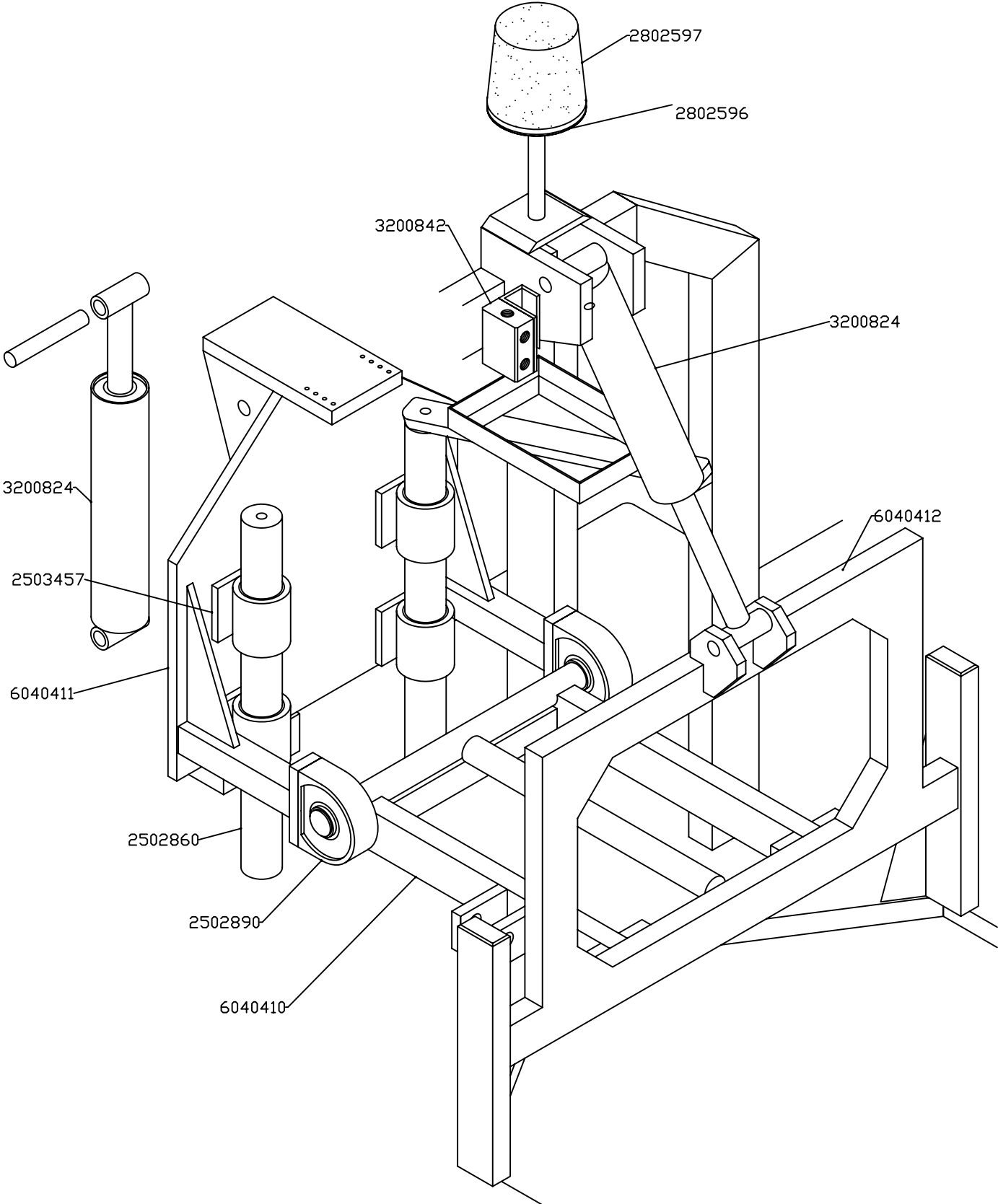


CS-2000 PARTS LIST DRAWING # 13

<u>Part Number</u>	<u>Qty. Required</u>	<u>Description</u>
2502683	4	Linear Bearing
2502890	2	Pillow Block Bearings
2503502	2	Linear Shaft
2503503	2	Linear Rail
2503608	1	Load Adapter
2601675	1	Motor
2702681	1	Cylinder
2900039	6	Locknut
2900713	1	Locknut
2900714	1	Flat Washer
2900728	6	Capscrew
3200844	1	Cylinder
3200845	1	Female Clevis
6040405	1	Blade Guard Weldment
6040413	1	Rail Mount Plate Weldment
6040414	1	Cylinder Mount Weldment
6040415	1	Slide Bearing Mount Weldment
6040418	1	Rail Mount Plate Support
6040431	1	Blade Shaft Hub
6040463	1	Tilt Cylinder Pin (Upper)
6040464	1	Tilt Cylinder Pin (Lower)
6040490	1	Adapter Plate For Blade Motor
6048097	1	Key

Drawing # 3

Slide Assembly

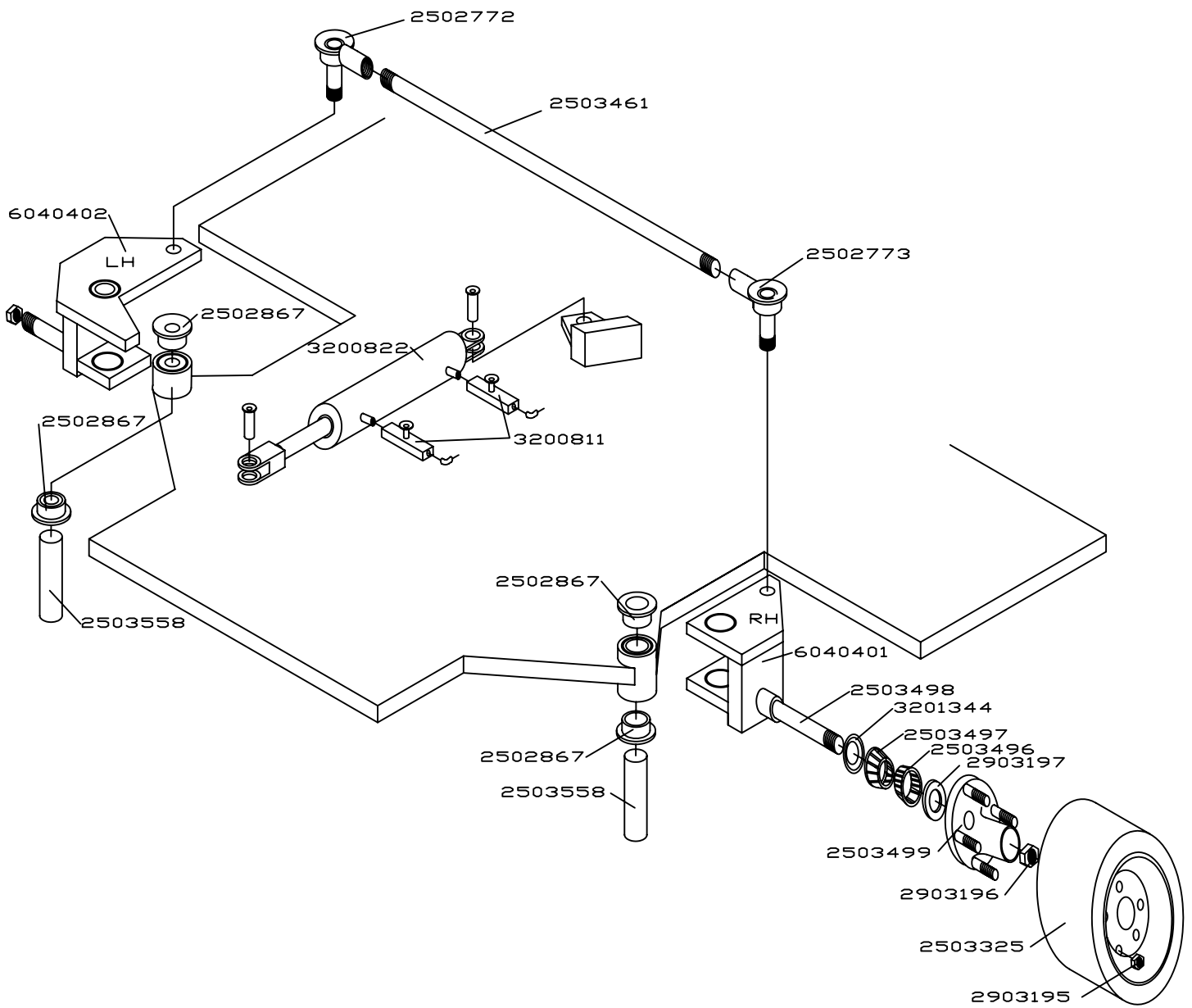


CS-2000 PARTS LIST DRAWING # 3

<u>Part Number</u>	<u>Qty. Required</u>	<u>Description</u>
2502860	2	Vertical Shaft
2502890	2	PB Bearing
2503457	4	Vertical Slide Bushing
2802596	1	Base
2802597	1	Light/ Amber
3200824	2	Cylinder
3200842	1	Sun Counter Balance
6040410	1	Tilt Assembly Weldment
6040411	1	Vertical Slide Plate Weldment
6040412	1	Head Lift Frame Weldment

Drawing # 4

Steering Assembly

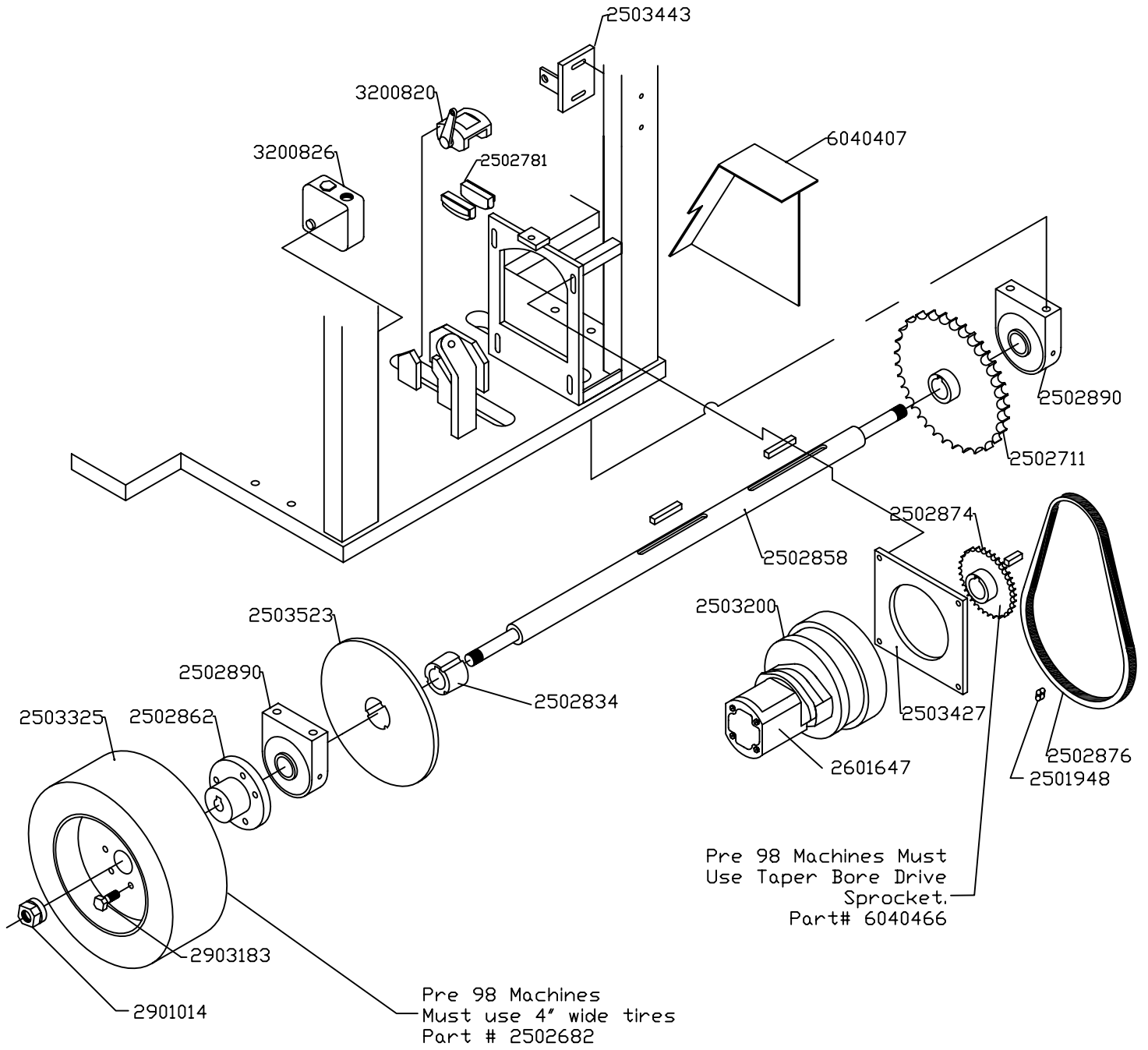


CS-2000 PARTS LIST DRAWING # 4

<u>Part Number</u>	<u>Qty. Required</u>	<u>Description</u>
2502772	1	LH Ball Joint
2502773	1	RH Ball Joint
2502867	4	Bronze Bearing
2503325	4	Curb Saw Tire (6" Wide)
2503461	1	Tie Rod
2503496	1	Bearing 1 1/16 Inter/Outer
2503497	1	Bearing 1 3/8 Inner
2503498	1	Spindle TT Straight
2503499	1	Hub Studded
2503558	2	Curb Saw King Pin
2903195	5	Cone Nut
2903196	1	Spindle Nut
2903197	1	Spindle Washer
3200811	2	1/4 Flow Control
3200822	1	1 1/2 x 6 Steer Cylinder
3201344	1	Seal Double Lip
6040401	1	RH Steering Spindle Weldment
6040402	1	LH Steering Spindle Weldment

Drawing # 5

Drive Assembly

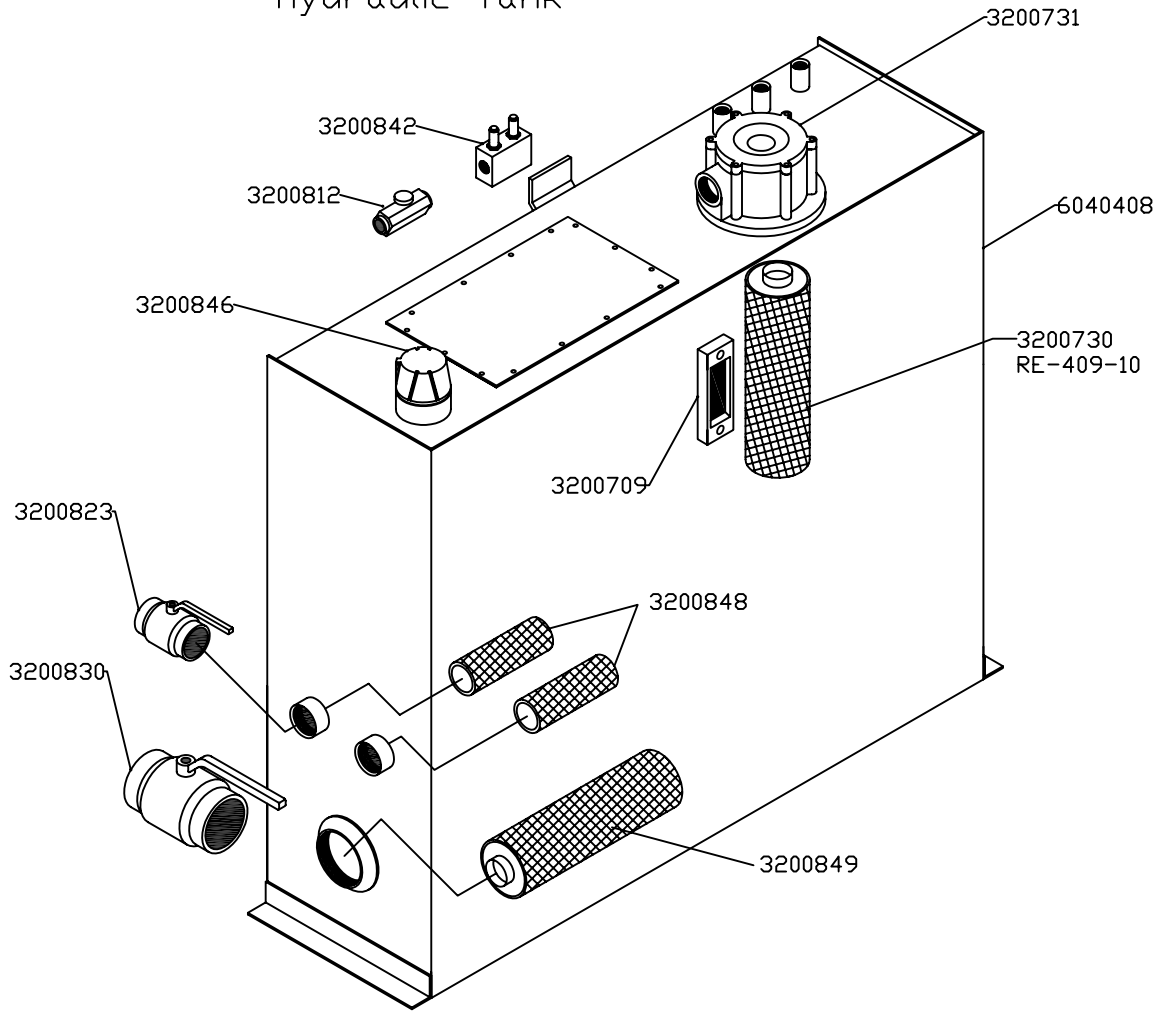


CS-2000 PARTS LIST DRAWING # 5

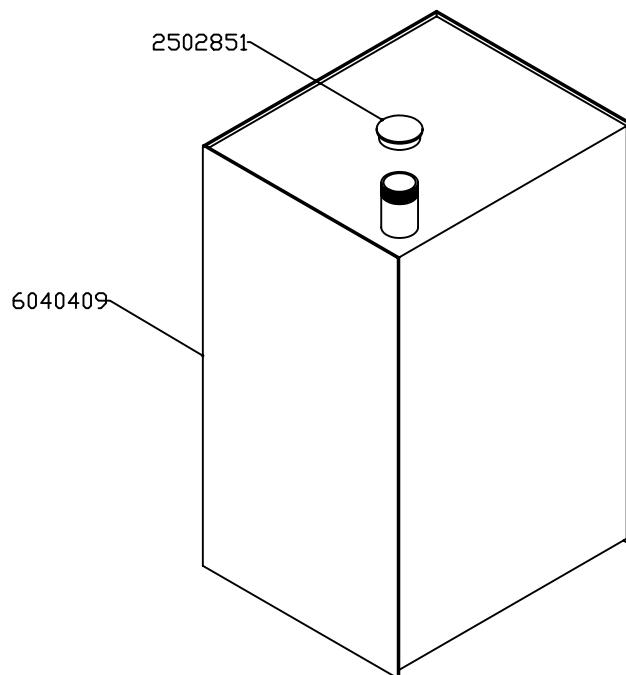
<u>Part Number</u>	<u>Qty. Required</u>	<u>Description</u>
2501948	1	Master Link
2502682	2	4" Tire/Wheel Assembly
2502711	1	Sprocket
2502781	1	Brake Pads
2502834	1	Taper Lock Bushing
2502858	1	Rear Axle
2502862	2	Wheel Hub
2502874	1	Sprocket
2502876	1	#60 Chain
2502890	2	PB Bearings
2503200	1	Auburn Gear Box
2503325	2	6" Tire/Wheel Assembly
2503427	1	Auburn Drive Mount
2503443	1	Trans Cable Mount
2503523	1	Sprocket
2601647	1	Motor
2901014	1	Stover Nut
2903183	5	Wheel Bolt
3200820	1	Mechanical Cali
3200826	1	Prince 16GPM Flow Valve
6040407	1	Chain Guard Weldment
6040466	1	Taper Bore Drive Sprocket

Drawing # 6

Hydraulic Tank



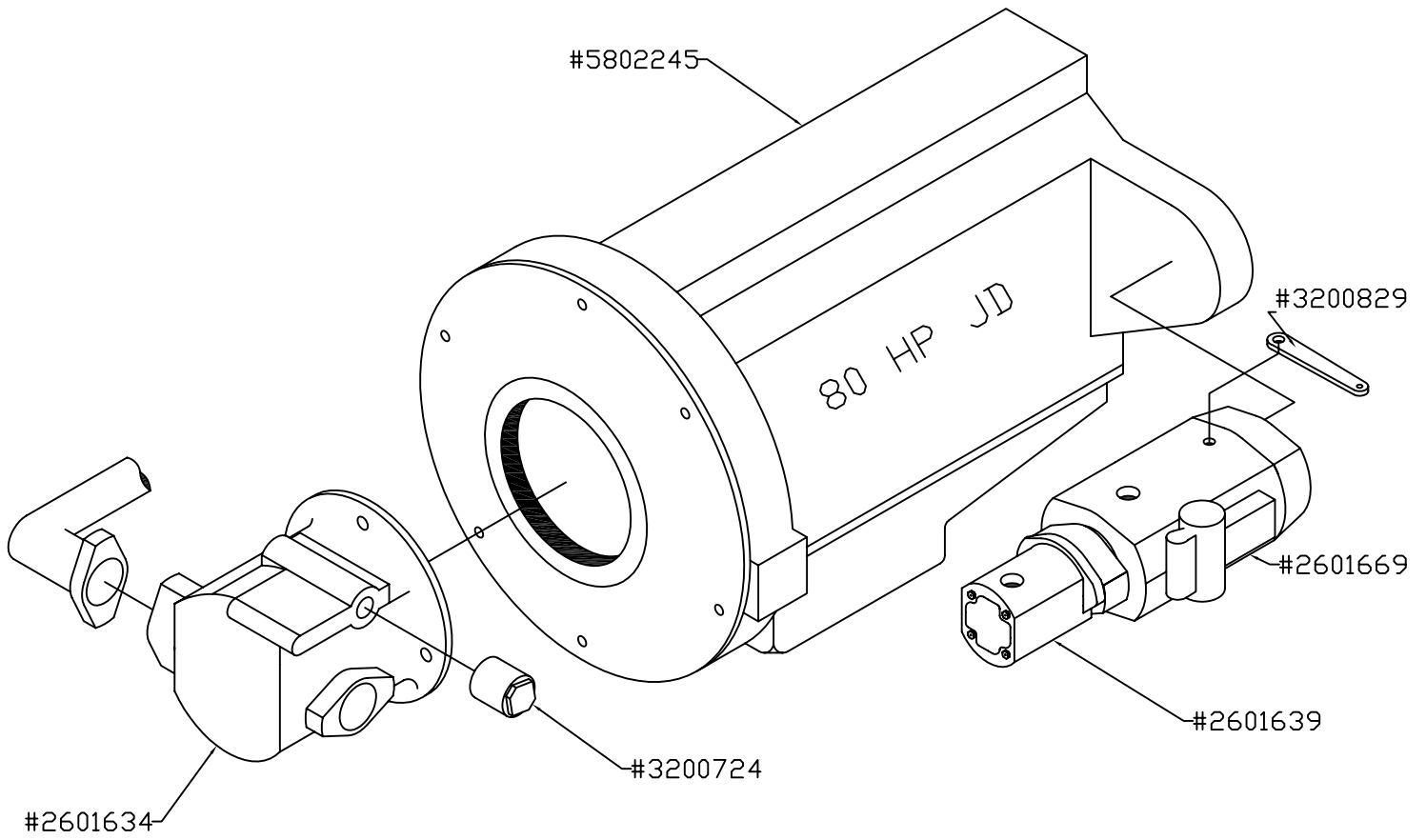
Diesel Fuel Tank



CS-2000 PARTS LIST DRAWING # 6

<u>Part Number</u>	<u>Qty. Required</u>	<u>Description</u>
2502851	1	Fuel Cap
3200709	1	Sight Gauge with Therm
3200730	1	Filter Element
3200731	1	Tank Top Filter
3200812	1	Flow Control
3200823	2	Ball Valve
3200830	1	Low Pressure Valve
3200842	1	Sun Counter Balance
3200846	1	Locking Reservoir
3200848	1	Strainer
3200849	2	Zinga Suction
6040408	1	Hyd Tank 70 Gal Weldment
6040409	1	Diesel Fuel Tank Weldment

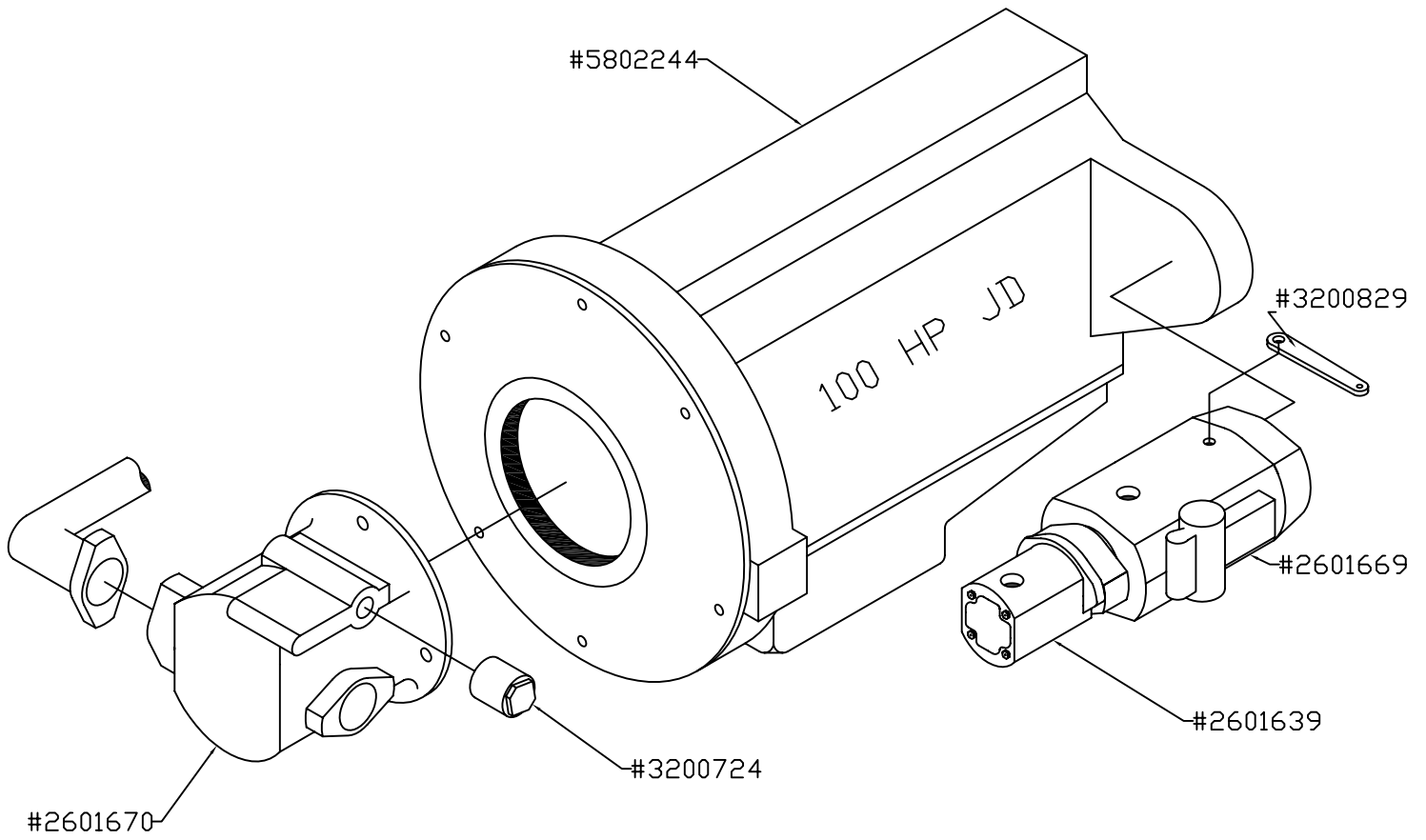
Drawing # 7
80 Hp Unit



CS-2000 PARTS LIST DRAWING # 7

<u>Part Number</u>	<u>Qty. Required</u>	<u>Description</u>
2601634	1	Right Hand Pump
2601639	1	Pump
2601669	1	Pump
3200724	1	Comp Line Filter
3200829	1	Pump Lever
5802245	1	78HP Curb Saw Engine

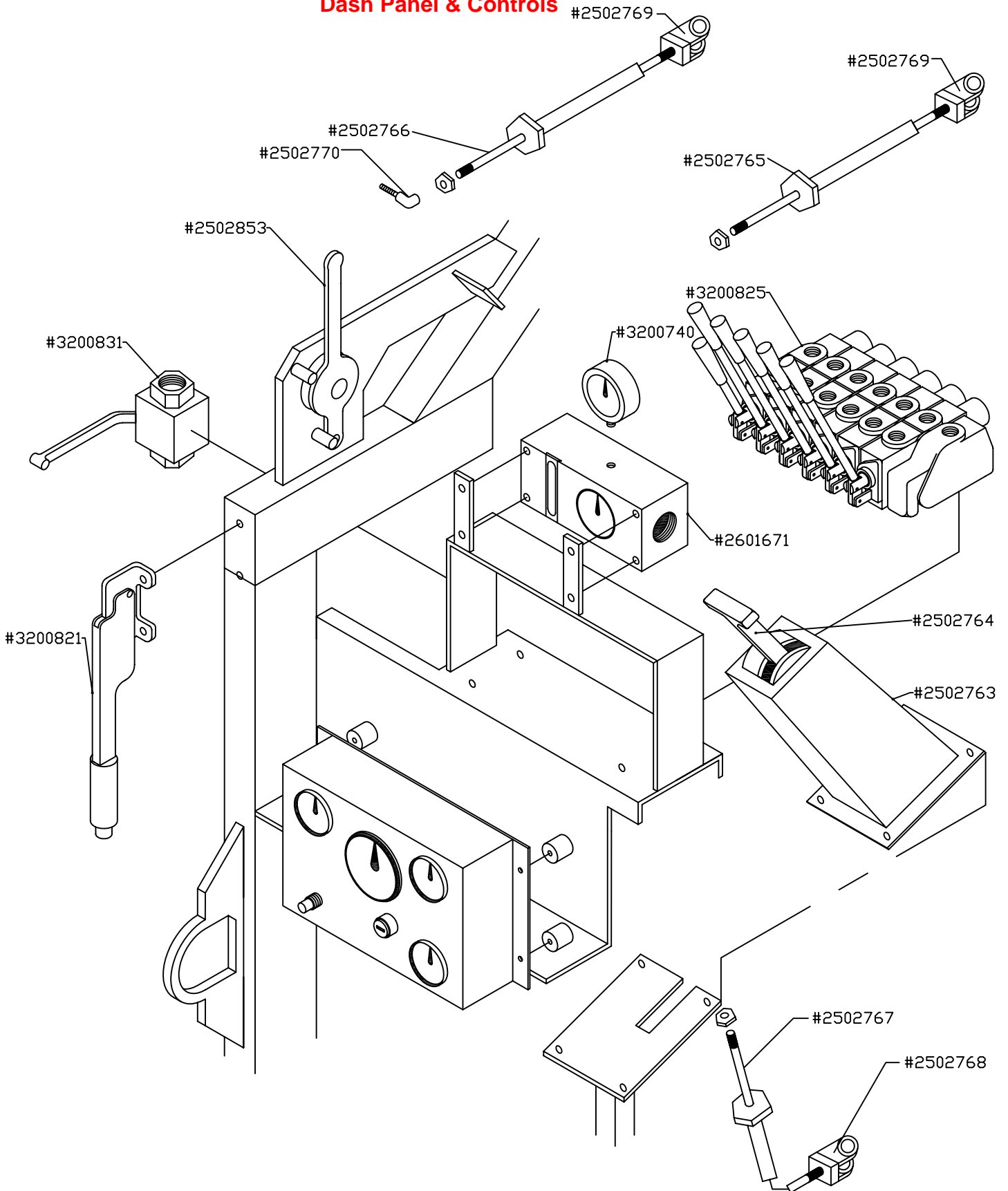
Drawing # 8
100 HP Unit



CS-2000 PARTS LIST DRAWING # 8

<u>Part Number</u>	<u>Qty. Required</u>	<u>Description</u>
2601639	1	Pump
2601669	1	Tranny Pump
2601670	1	Blade Pump
3200724	1	Comp Line Filter
3200829	1	Pump Lever
5802244	1	98HP Curb Saw Engine

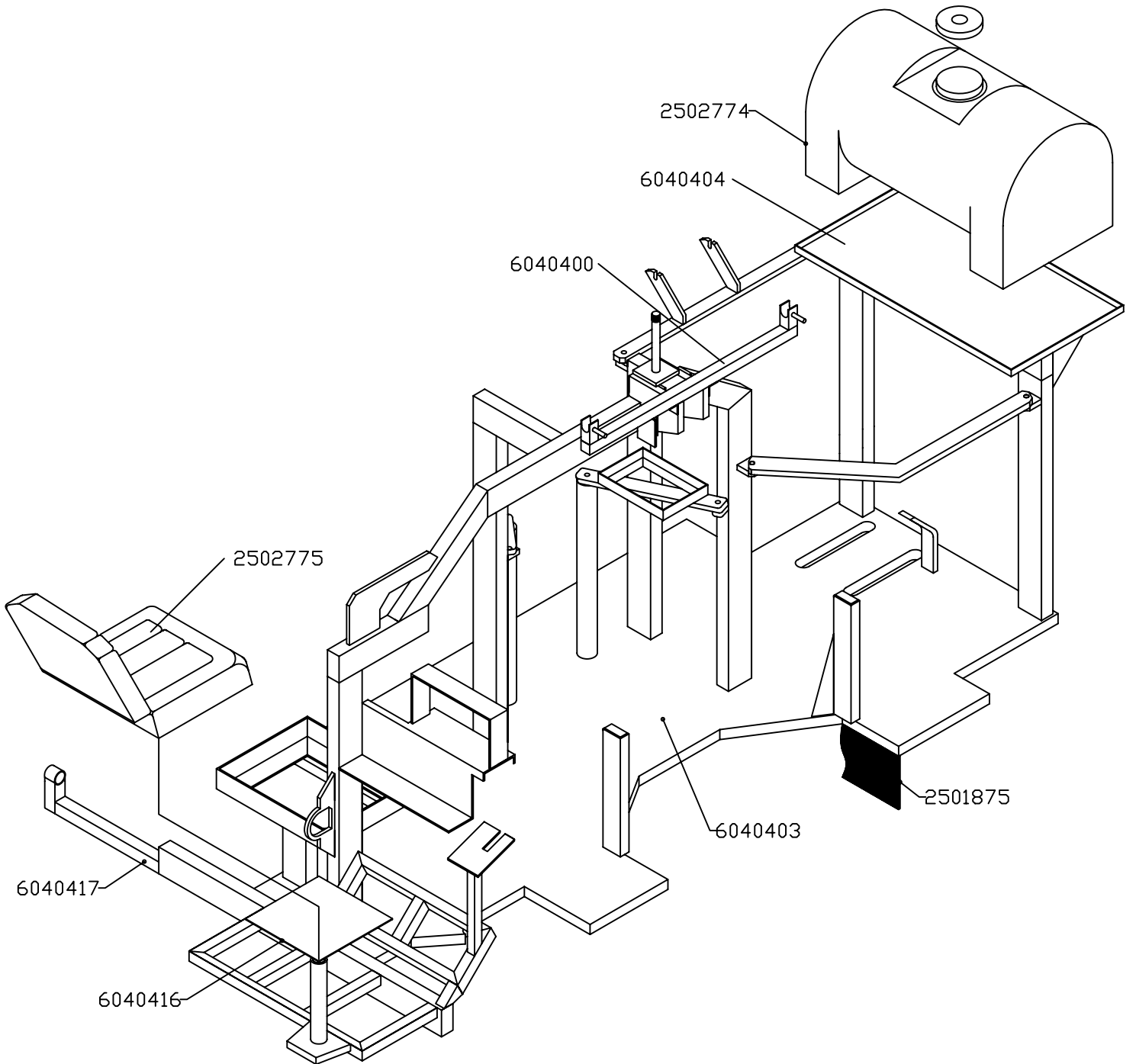
Drawing # 9
Dash Panel & Controls



CS-2000 PARTS LIST DRAWING # 9

<u>Part Number</u>	<u>Qty. Required</u>	<u>Description</u>
2502763	1	9" Tower
2502764	1	Locking Lever Control
2502765	1	Brake Cable
2502766	1	Throatle Cable
2502767	1	Transmission Cable
2502768	1	Clevis
2502769	3	Clevis
2502770	1	Ball Joint
2502853	1	Throatle Level
2601671	1	Flow Meter
3200740	1	PSI Guage
3200821	1	Brake Lever
3200825	1	Control Valves
3200831	1	Hi Pressure Valve

Drawing # 10

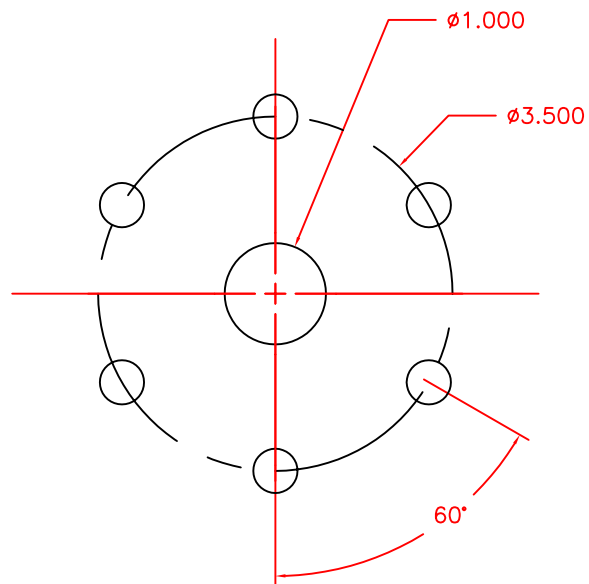


CS-2000 PARTS LIST DRAWING # 10

<u>Part Number</u>	<u>Qty. Required</u>	<u>Description</u>
2501875	1	Mud Flap
2502774	1	Tank Pump 25 Gal
2502775	1	Seat
2504022	1	Replacement Cap for Watertank
6040400	1	Grinder Attach Weldment
6040403	1	Main Frame Weldment
6040404	1	Water Tank Shelf Weldment
6040416	1	Seat Mount Weldment
6040417	1	Water Bar Weldment

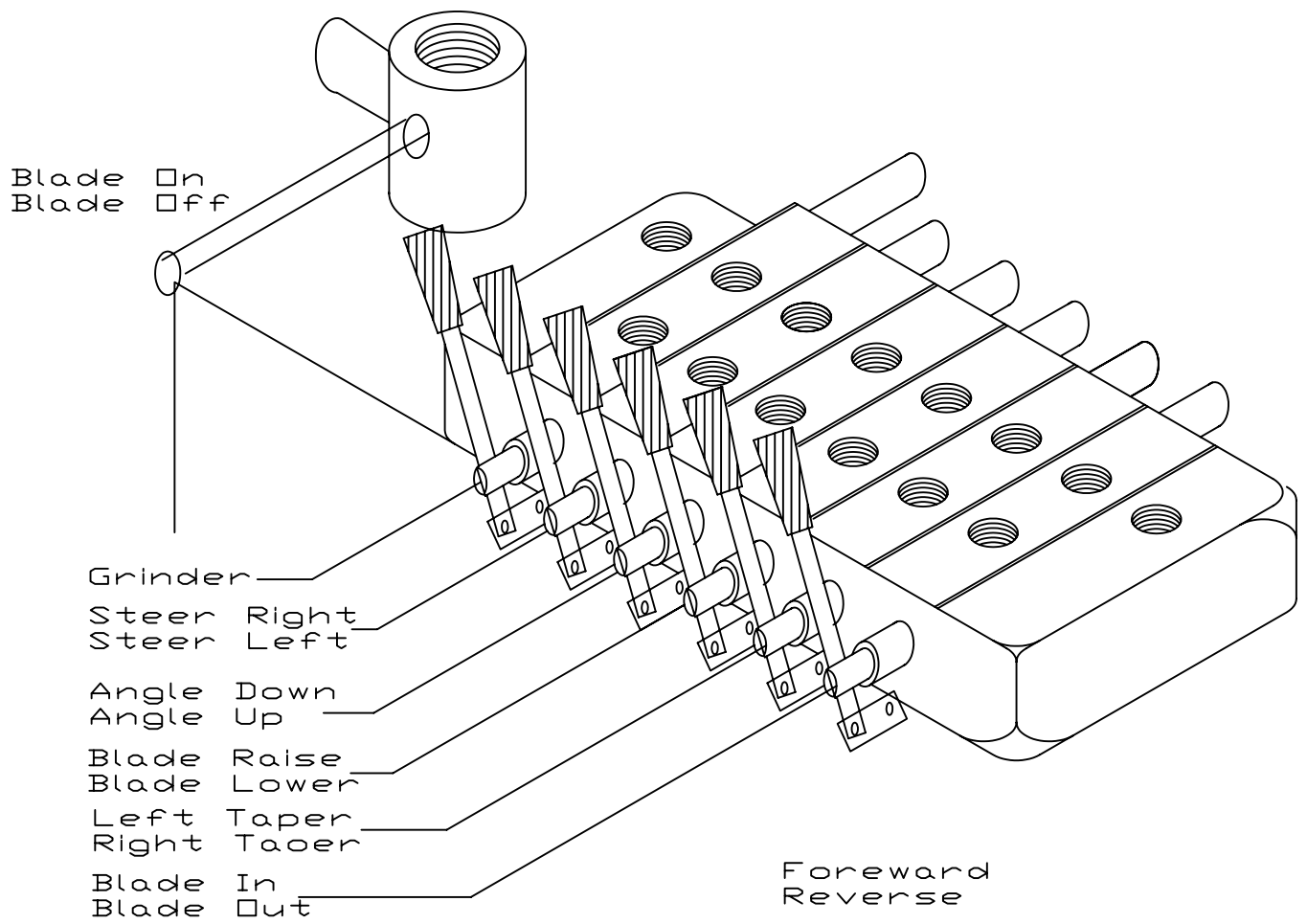
Drawing # 11

Blade Bolt Pattern



1. Drill 7/16 Holes, 6 Places
Equally Spaced (60° Apart)
On a 3.500 Diameter Hole Circle.
2. Countersink, $82^\circ \times .62$ " Diameter.
3. Use 5/16-18, Flat Head, Socket Cap
Screws to Mount Blade to Flange.
4. Cobalt or Carbide Cutting Tools
Recommended.

Drawing # 12
Controls



EQUIPMENT AND PARTS WARRANTY

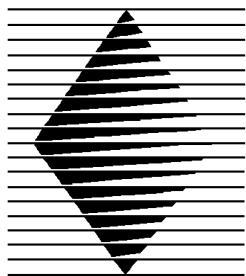
Diamond Products warrants all equipment manufactured by it against defects in workmanship or materials for a period of one (1) year from the date of shipment to Customer.

The responsibility of Diamond Products under this Warranty is limited to replacement or repair of defective parts at Diamond Products' Elyria, Ohio factory, or at a point designated by it, of such parts as shall appear to us upon inspection at such parts, to have been defective in material or workmanship, with expense for transportation and labor borne by Customer.

In no event shall Diamond Products be liable for consequential or incidental damages arising out of the failure of any Product to operate properly.

Integral units such as engines, electric motors, batteries, transmissions, etc., are excluded from this Warranty and are subject to the prime manufacturer's warranty.

THIS WARRANTY IS IN LIEU OF ALL OTHER WARRANTIES, EXPRESSED OR IMPLIED, AND ALL SUCH OTHER WARRANTIES ARE HEREBY DISCLAIMED.



DIAMOND PRODUCTS

333 Prospect Street, Elyria, Ohio 44035
(440) 323-4616 • (800) 321-5336 • Fax (440) 323-8689
www.diamondproducts.com