

DIAMOND
PRODUCTS

CONCRETE SAW
PARTS LIST

MODEL
CC1113-XL

June 2009

Part #1801094

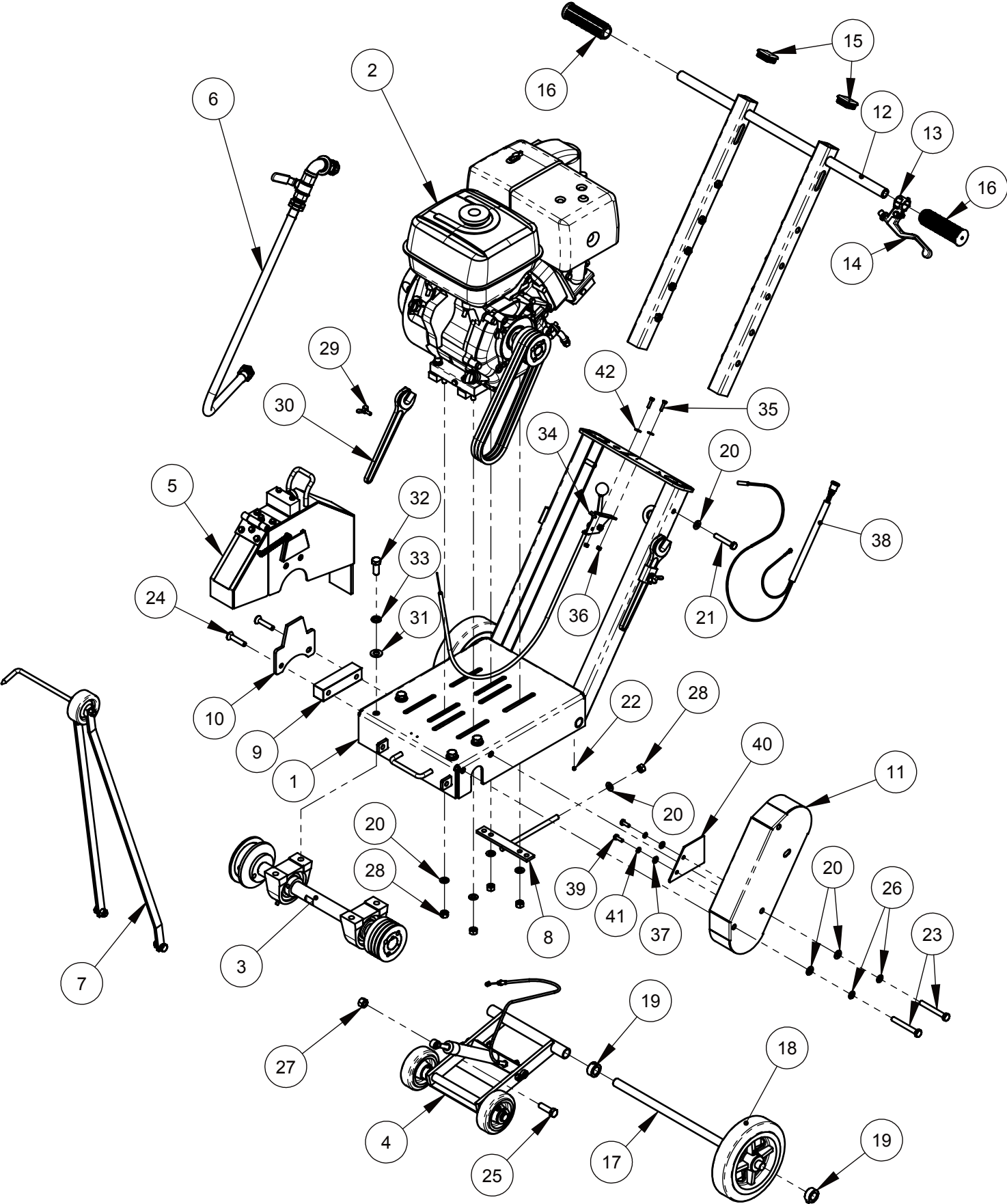
TABLE OF CONTENTS

<u>Description</u>	<u>Page No.</u>
Saw Assembly (Normal Cut).....	4 - 5
Saw Assembly (Up-Cut).....	6 - 7
Gas Engine Assembly	8
Blade Shaft Assembly	9
Front Axle Assembly.....	10
Blade Guard Assembly	11
Hose Assembly With Valve.....	12
Pointer Assembly.....	13
Pointer Assembly (Up-Cut).....	14
Notes.....	15
Warranty.....	Rear Cover

Quick Reference Service Filters/ Belts

<u>DP Part No.</u>	<u>Description</u>	<u>Manufacturer's Part No.</u>
2700201	Air Filter for 11HP Honda	(Honda #17210-ZE3-505)
2703150	Fuel Filter for 11HP Honda	(Honda #17672RZE2-W01)
2500380	Blade Shaft Belt (3) for 11HP Honda	(Gates #3VX300)

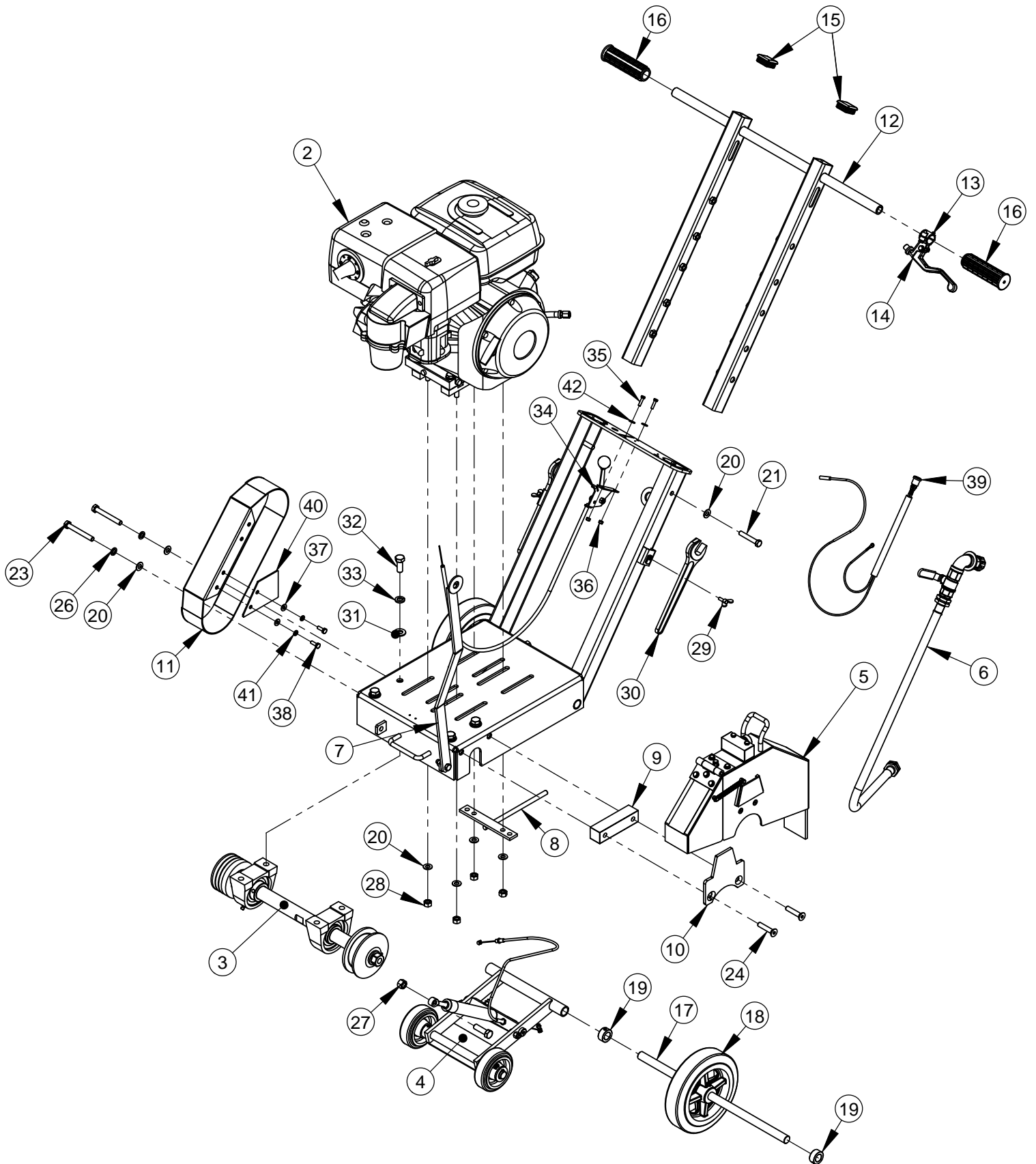
SAW ASSEMBLY, #5801015



SAW ASSEMBLY (REGULAR CUT), #5801015

ITEM	PART NO.	QTY	DESCRIPTION
1	6040702	1	Frame Weldment
2	6040609	1	Gas Engine Parts
3	6040610	1	Blade Shaft Assembly
4	6040708	1	Front Axle Assembly
5	6049031	1	14" Blade Guard Assembly
6	6040611	1	Hose Assembly with Water Valve
7	6048080	1	Pointer Assembly
8	6040613	1	Shaft, Belt Adjustment
9	6040713	1	Blade Guard Spacer
10	6040714	1	Tapered Guard Mount
11	6040718	1	Belt Guard Weldment
12	6040706	1	Sliding Handle Weldment
13	6010618	1	Bracket, Handlebar Lever
14	6010619	1	Lever, Handlebar
15	2503925	2	Cap, 1-1/2" Sq. Tube
16	2500001	2	7/8" Handle Grip
17	6040712	1	Rear Axle
18	2503754	2	Wheel 8" X 2" X 3/4"
19	2400615	4	Set Collar, 3/4"
20	2900014	9	Flat Washer, 3/8" SAE
21	2900079	2	Cap Screw, Hex Hd., 3/8-16 x 2-1/4"
22	2900056	2	Set Screw, Soc. Hd., 1/4-20 x 1/4"
23	2900319	2	Cap Screw, Hex Hd., M10 x 80mm
24	2901409	2	Cap Screw, Flat Hd. Soc., M10 x 50mm
25	2900331	1	Cap Screw, Hex Hd., M12 x 40mm
26	2900321	2	Lock Washer, M10 Split
27	2900327	1	Lock Nut, M12 Nylon
28	2900304	5	Lock Nut, M10 Nylon
29	2900307	2	Wing Screw, M6 x 16mm
30	2500256	2	Wrench Head
31	2900058	4	Flat Washer, 1/2" SAE
32	2900025	4	Cap Screw, Hex Hd., 1/2-13 x 1-1/4"
33	2900084	4	Lock Washer, 1/2" Split
34	2501565	1	Throttle Control, 15"
35	2900309	2	Cap Screw, Hex Hd., M5 x 20mm
36	2900301	2	Lock Nut, M5 Nylon
37	2900009	2	Flat Washer, 1/4" SAE
38	6048789	1	Wire Harness, Stop Switch
39	2900144	2	Cap Screw, Hex Hd., 1/4-20 x 3/4"
40	6040704	1	Plate, Belt Guard
41	2900024	2	Lock Washer, 1/4" Split
42	2900016	2	Flat Washer, #10 USS

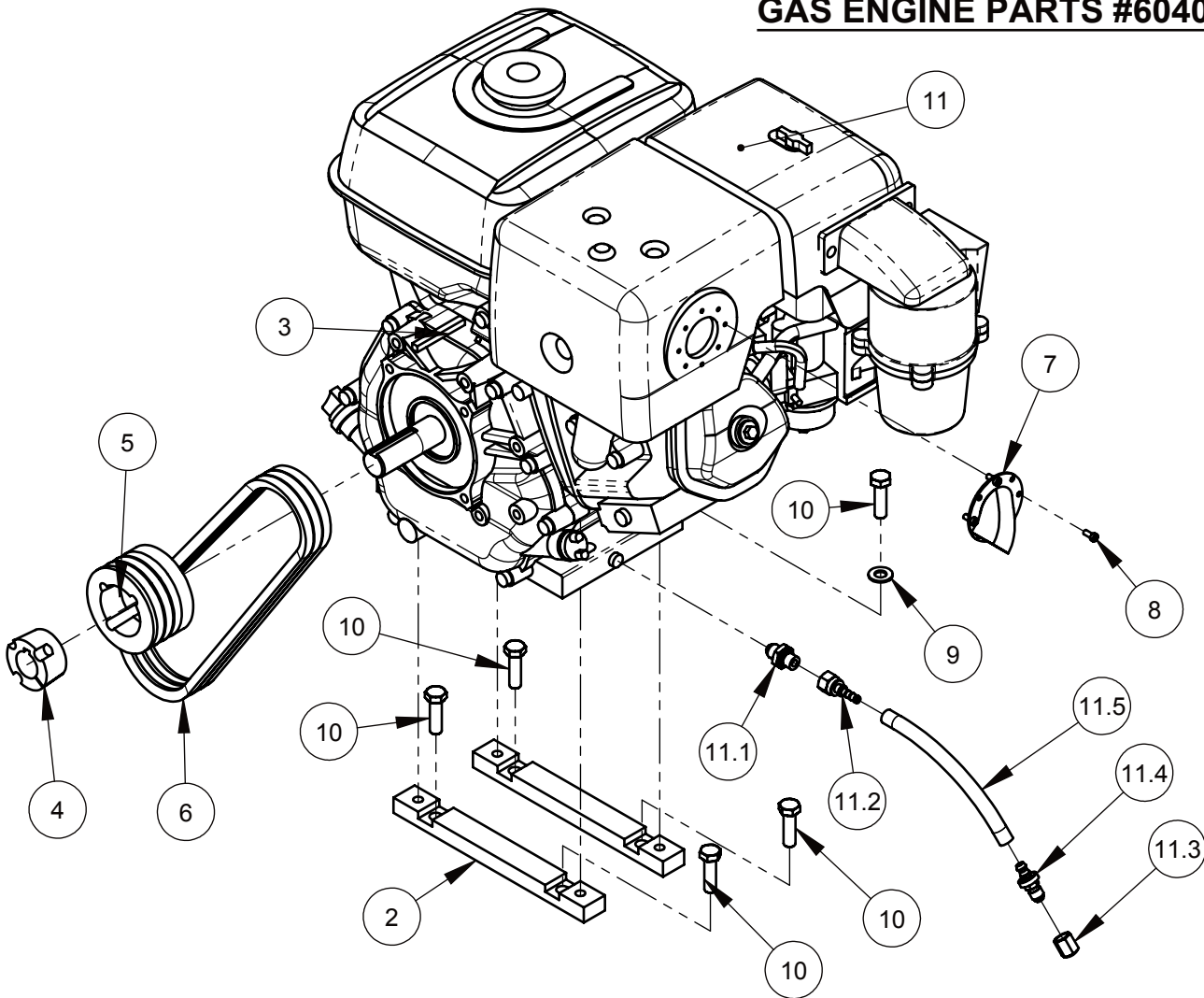
SAW ASSEMBLY (UP-CUT), #5801020



SAW ASSEMBLY (UP-CUT), #5801020

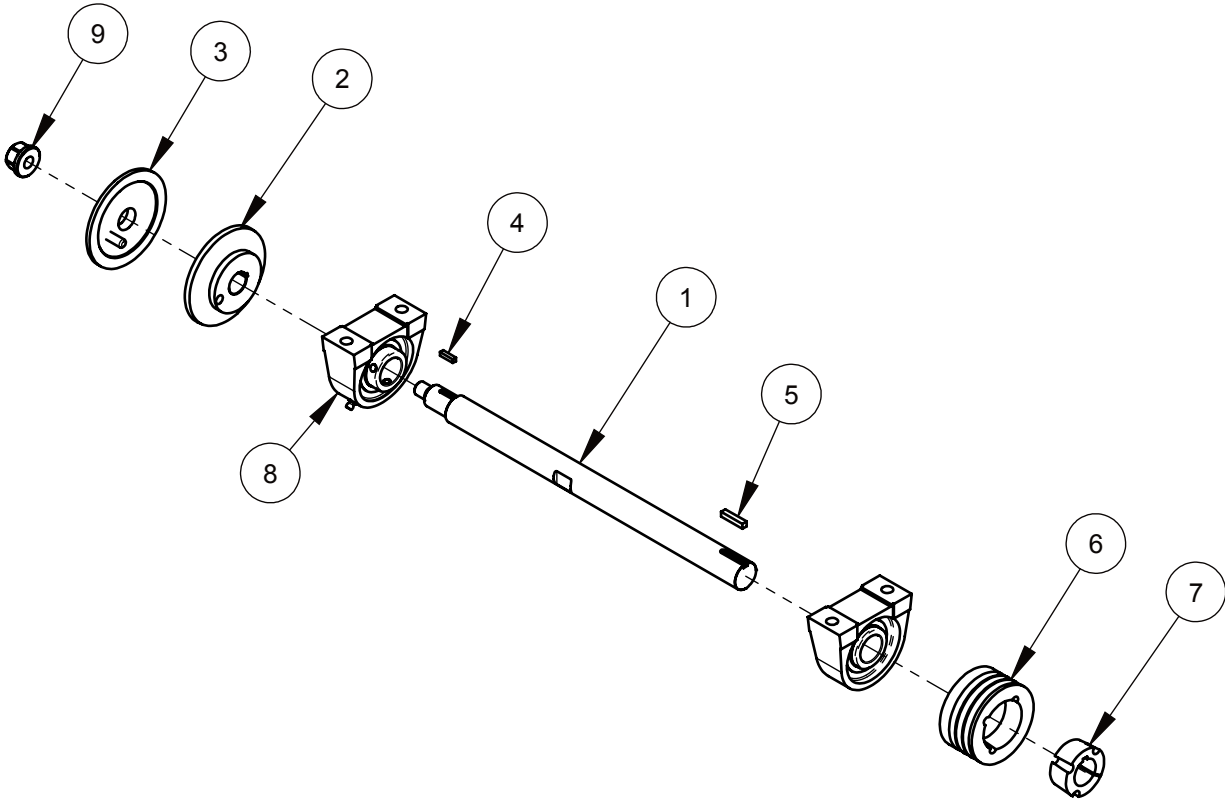
ITEM	PART NO.	QTY	DESCRIPTION
1	6040702	1	Frame Weldment
2	6040618	1	Gas Engine Parts
3	6040610	1	Blade Shaft Assembly
4	6040708	1	Front Axle Assembly
5	6049031	1	14" Blade Guard Assembly
6	6040611	1	Hose Assembly with Water Valve
7	6048279	1	Pointer Assembly
8	6040613	1	Shaft, Belt Adjustment
9	6040713	1	Blade Guard Spacer
10	6040714	1	Tapered Guard Mount
11	6040718	1	Belt Guard Weldment
12	6040706	1	Sliding Handle Weldment
13	6010618	1	Bracket, Handlebar Lever
14	6010619	1	Lever, Handlebar
15	2503925	2	Cap, 1-1/4" Sq. Tube
16	2500001	2	7/8" Handle Grip
17	6040712	1	Rear Axle
18	2503754	2	Wheel 8" X 2" X 3/4"
19	2400615	4	Set Collar, 3/4"
20	2900014	9	Flat Washer, 3/8" SAE
21	2900079	2	Cap Screw, Hex Hd., 3/8-16 x 2-1/4"
22	2900056	2	Set Screw, Soc. Hd., 1/4-20 x 1/4"
23	2900319	2	Cap Screw, Hex Hd., M10 x 80mm
24	2901409	2	Cap Screw, Flat Hd. Soc., M10 x 50mm
25	2900331	1	Cap Screw, Hex Hd., M12 x 40mm
26	2900321	2	Lock Washer, M10 Split
27	2900327	1	Lock Nut, M12 Nylon
28	2900304	5	Lock Nut, M10 Nylon
29	2900307	2	Wing Screw, M6 x 16mm
30	2500256	2	Wrench Head
31	2900058	4	Flat Washer, 1/2" SAE
32	2900025	4	Cap Screw, Hex Hd., 1/2-13 x 1-1/4"
33	2900084	4	Lock Washer, 1/2" Split
34	2501565	1	Throttle Control, 15"
35	2900309	2	Cap Screw, Hex Hd., M5 x 20mm
36	2900301	2	Lock Nut, M5 Nylon
37	2900009	2	Flat Washer, 1/4" SAE
38	2900144	2	Cap Screw, Hex Hd., 1/4-20 x 3/4"
39	6048789	1	Wire Harness, Stop Switch
40	6040704	1	Plate, Belt Guard
41	2900024	2	Lock Washer, 1/4" Split
42	2900016	2	Flat Washer, #10 USS

GAS ENGINE PARTS #6040609



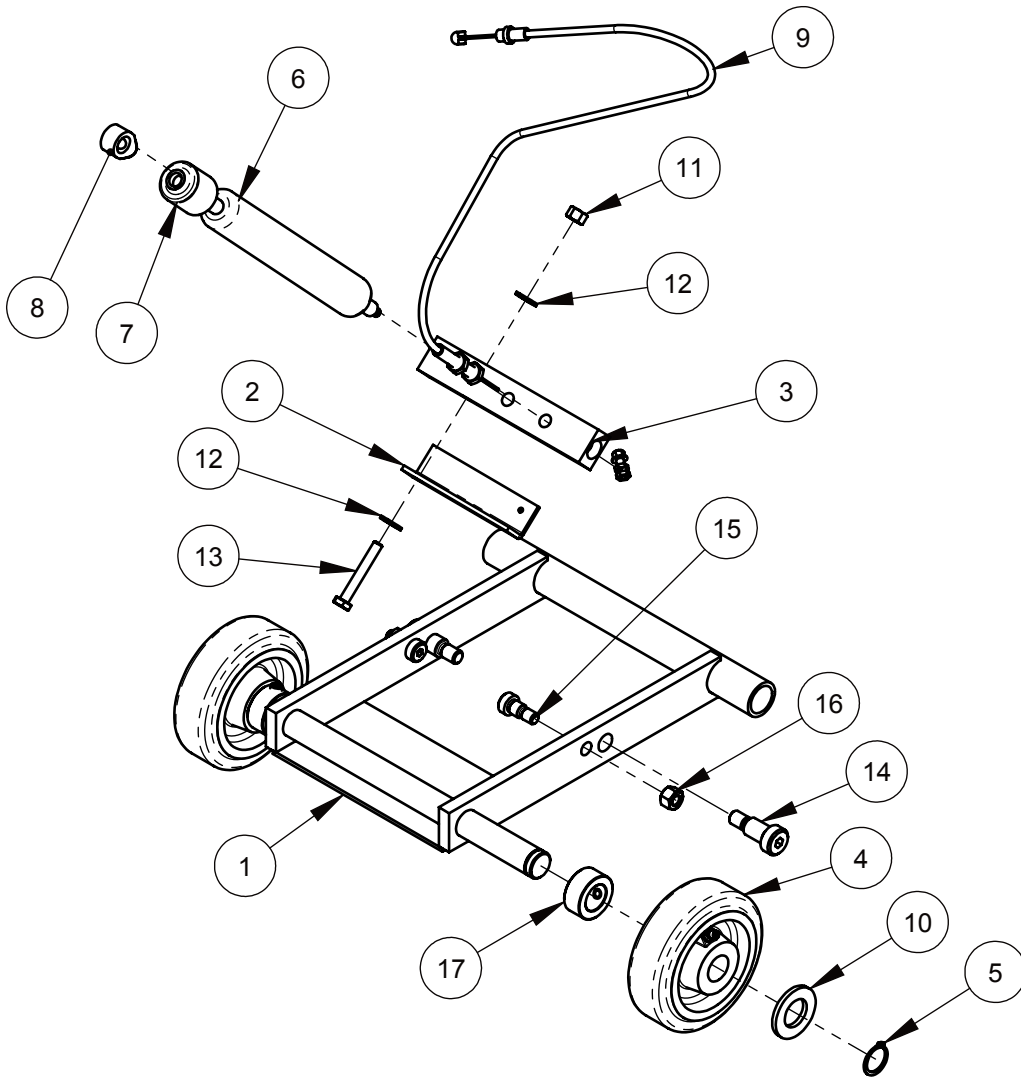
ITEM	PART NO.	QTY.	DESCRIPTION
1	2600116	1	Engine, 11 HP Honda GX390
2	6040707	2	Motor Mount Adapter
3	6048134	1	Key, 1/4" Sq. x 2-1/4"
4	2500028	1	Taper Bushing, 1" w/ Set Screws
5	2500024	1	Sheave, 3.15-3 Groove
6	2500380	3	V-Belt, 3VX300 (Regular Cut)
6	2500034	3	V-Belt, 3VX315 (Up-Cut)
7	2700554	1	Muffler Deflector, 11-13 HP Honda
8	2900206	3	Screw, Self Tapping, #8-32 x 3/8"
9	2900014	4	Flat Washer, 3/8" SAE
10	2900315	8	Cap Screw Hex Hd., M10-1.5 x 35
11	6048029	1	Oil Drain Assembly
11.1	3200539	1	Adapter, M12 x 1.5 M to 5/16" Male JIC
11.2	3200540	1	Fitting, 5/16" F. JIC to 1/4" Pushlock
11.3	3200006	1	Cap, 1/4" JIC
11.4	3200040	1	Fitting, 1/4" M. JIC to 1/4" Push Lock
11.5	6048289	1	1/4" x 6.00" Oil Drain Hose

BLADE SHAFT ASSEMBLY, #6040610



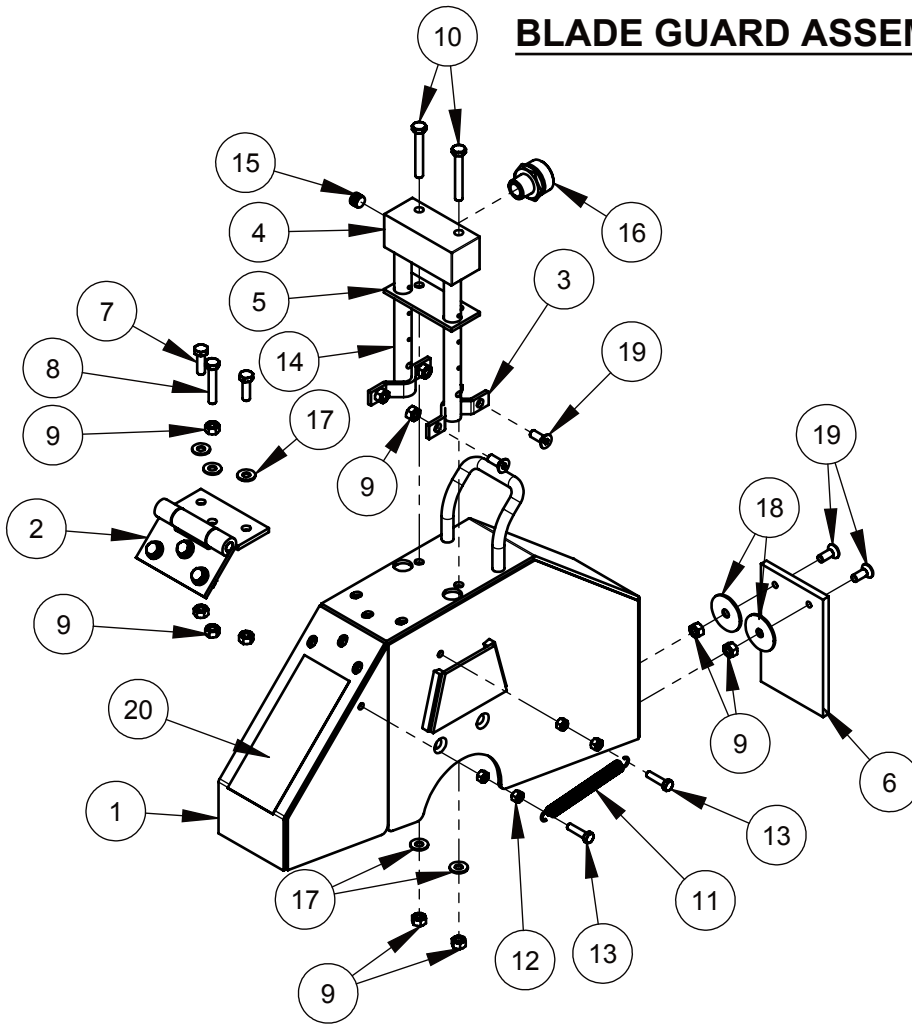
ITEM	PART NO.	QTY.	DESCRIPTION
1	6040709	1	Blade Shaft
2	6048008	1	Inner Flange 4-1/2"
3	6048009	1	Outer Flange, 4-1/2" w/ Pin
4	6048018	1	Key, 3/16" Sq. x 3/4"
5	6010169	1	Key, 1/4" Sq. x 1-1/4"
6	2500025	1	Sheave, 3.35-3 Groove
7	2500337	1	Taper Bushing, 1-1/4" w/ Set Screws
8	2500158	2	Pillow Block Bearing 1-1/4"
9	2900066	1	Flange Nut, 5/8-11 L.H.

FRONT AXLE ASSEMBLY, #6040708



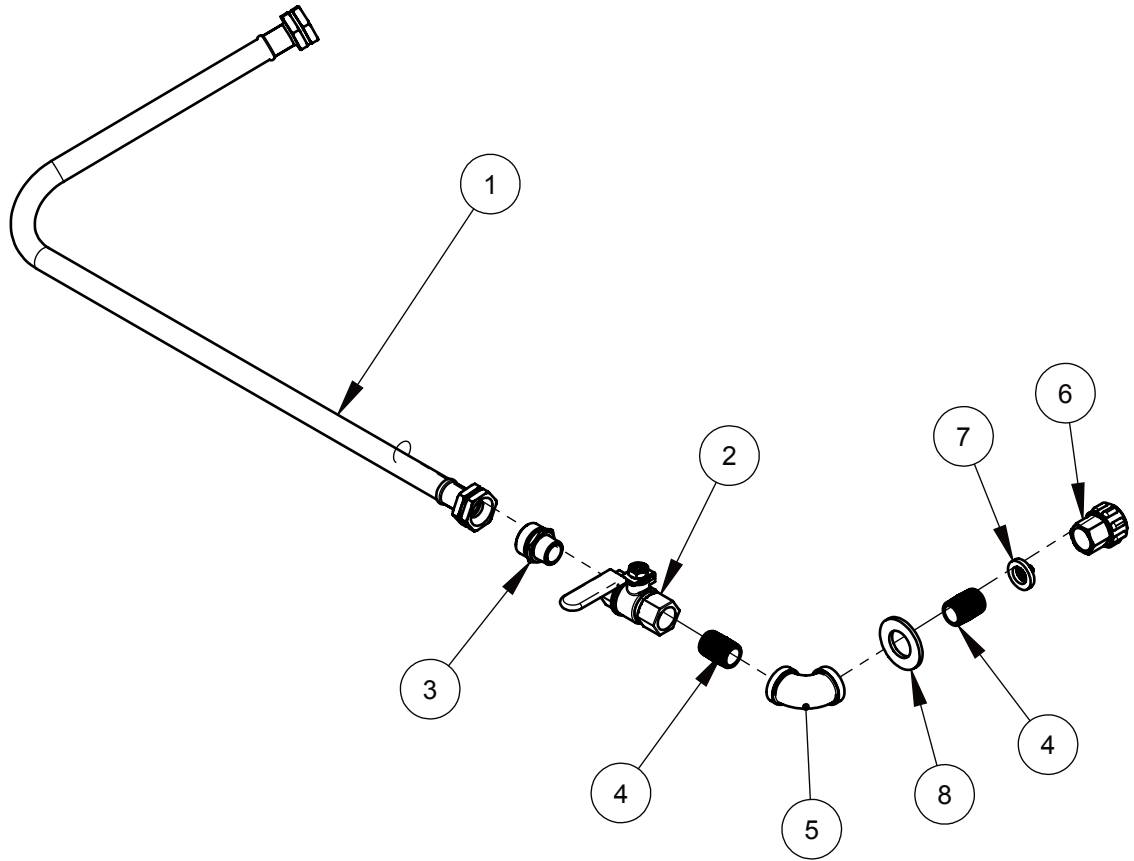
ITEM	PART NO.	QTY	DESCRIPTION
1	6040703	1	Front Axle Weldment
2	6040710	1	Release Plate
3	6040711	1	Mounting Plate
4	2503752	2	Wheel 4" X 1-1/2" X 3/4"
5	2501186	2	Retaining Ring, External 3/4"
6	2505083	1	Spring, Gas
7	2505084	1	Gas Spring Seal Protector
8	2505087	1	Clevis, M12
9	2506324	1	Cable Assembly, Gas Spring
10	2900003	2	Flat Washer, 3/4" SAE
11	2900010	1	Lock Nut, 1/4-20 Nylon
12	2900009	2	Flat Washer, 1/4" SAE
13	2900392	1	Cap Screw, Hex Hd., 1/4-20 x 1-3/4"
14	2900259	2	Shoulder Screw, 1/2" x 3/4" (3/8-16)
15	2900253	2	Shoulder Screw, 3/8 x 3/8" (5/16-18)
16	2900039	2	Lock Nut, 5/16-18 Nylon
17	2400615	2	Set Collar, 3/4"

BLADE GUARD ASSEMBLY 14", #6049031

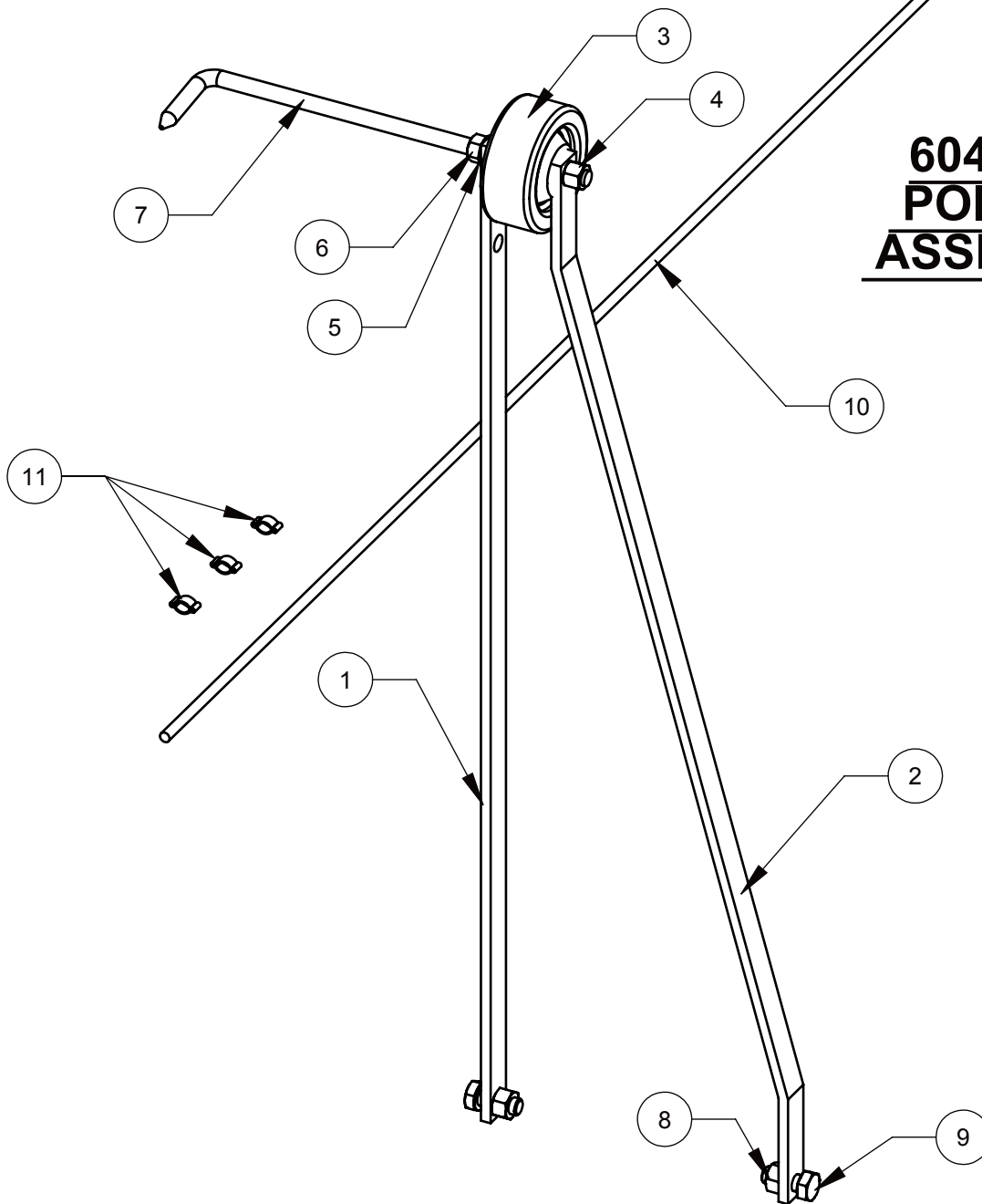


ITEM	PART NO.	QTY.	DESCRIPTION
1	6049030	1	14" Blade Guard
2	2500270	1	Blade Guard Hinge
3	6048155	2	Water Tube Clamp
4	6048123	1	Water Manifold
5	2500829	1	Water Manifold Gasket
6	6048039	1	Splash Flap
7	2900310	5	Cap Screw, Hex Hd., M6 x 20mm
8	2900312	1	Cap Screw, Hex Hd., M6 x 35mm
9	2900302	15	Lock Nut, M6 Nylon
10	2900244	2	Cap Screw, Hex Hd., M6 x 45mm
11	2500066	1	Spring, 3/8 X .055 X 3"
12	2900301	4	Lock Nut, M5 Nylon
13	2900309	2	Cap Screw, Hex Hd., M5 x 20mm
14	6048283	2	Water Tube for 14" Guard
15	3200001	1	Plug, 1/8" NPT
16	3200002	1	Fitting, 3/4" M. Pipe to 3/4" M. Garden
17	2900016	8	Flat Washer, #10 USS
18	2900083	2	Fender Washer, 1/4" x 1-1/4"
19	2900308	6	Cap Screw, Flat Hd. Soc., M6 x 16mm
20	1800001	1	Warning Label

HOSE ASSEMBLY WITH WATER VALVE #6040611



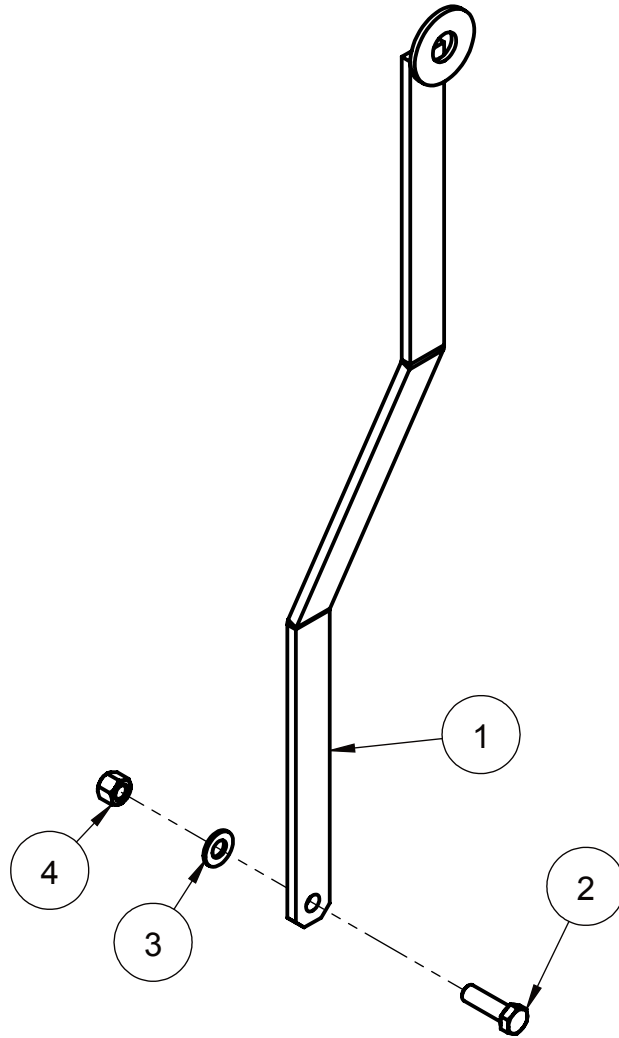
ITEM	PART NO.	QTY.	DESCRIPTION
1	6011055	1	Hose Assembly, 30" Long
2	3200027	1	Water Valve
3	3200155	1	Fitting, 1/2" M. Pipe to 3/4" M. Garden
4	3200008	2	Close Nipple, 1/2" NPT
5	3200209	1	Pipe Elbow, 1/2" Female
6	3200022	1	Fitting, 1/2" F. Pipe to 3/4" F. Garden
7	3200025	1	Hose Filter Washer
8	2900425	1	Flat Washer, 7/8" SAE



**6048080
POINTER
ASSEMBLY**

ITEM NO.	PART NUMBER	QTY.	DESCRIPTION
1	6048069	1	Pointer Bar - Straight
2	6048070	1	Pointer Bar - Offset
3	2500624	1	Wheel, 3"
4	2900018	1	Lock Nut, 3/8-16 Nylon
5	2900321	1	Lock Washer, M10 Split
6	2900033	1	Hex Nut, 3/8-16
7	2900032	1	Pointer Rod
8	2900304	2	Lock Nut, M10 Nylon
9	2900333	2	Cap Screw, Hex Hd., M10 x 25mm
10	6048078	1	Rope, 1/4 x 78"
11	3200221	3	Pinch Clamp, Two Ear

POINTER ASSEMBLY, #6048279



ITEM	PART NO.	QTY.	DESCRIPTION
1	6048280	1	Pointer Assembly
2	2900013	1	Cap Screw, Hex Hd., 3/8-16 x 1-1/4"
3	2900014	1	Flat Washer, 3/8" SAE
4	2900018	1	Lock Nut, 3/8-16 Nylon

EQUIPMENT AND PARTS WARRANTY

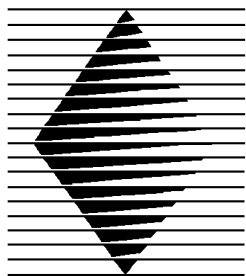
Diamond Products warrants all equipment manufactured by it against defects in workmanship or materials for a period of one (1) year from the date of shipment to Customer.

The responsibility of Diamond Products under this Warranty is limited to replacement or repair of defective parts at Diamond Products' Elyria, Ohio factory, or at a point designated by it, of such parts as shall appear to us upon inspection at such parts, to have been defective in material or workmanship, with expense for transportation and labor borne by Customer.

In no event shall Diamond Products be liable for consequential or incidental damages arising out of the failure of any Product to operate properly.

Integral units such as engines, electric motors, batteries, transmissions, etc., are excluded from this Warranty and are subject to the prime manufacturer's warranty.

THIS WARRANTY IS IN LIEU OF ALL OTHER WARRANTIES, EXPRESSED OR IMPLIED, AND ALL SUCH OTHER WARRANTIES ARE HEREBY DISCLAIMED.



DIAMOND PRODUCTS

333 Prospect Street, Elyria, Ohio 44035
(440) 323-4616 • (800) 321-5336 • Fax (440) 323-8689
www.diamondproducts.com