

**DIAMOND**  
**PRODUCTS**

**MINI-GROOVER**

**MODEL**  
**CG-1**

January 2011

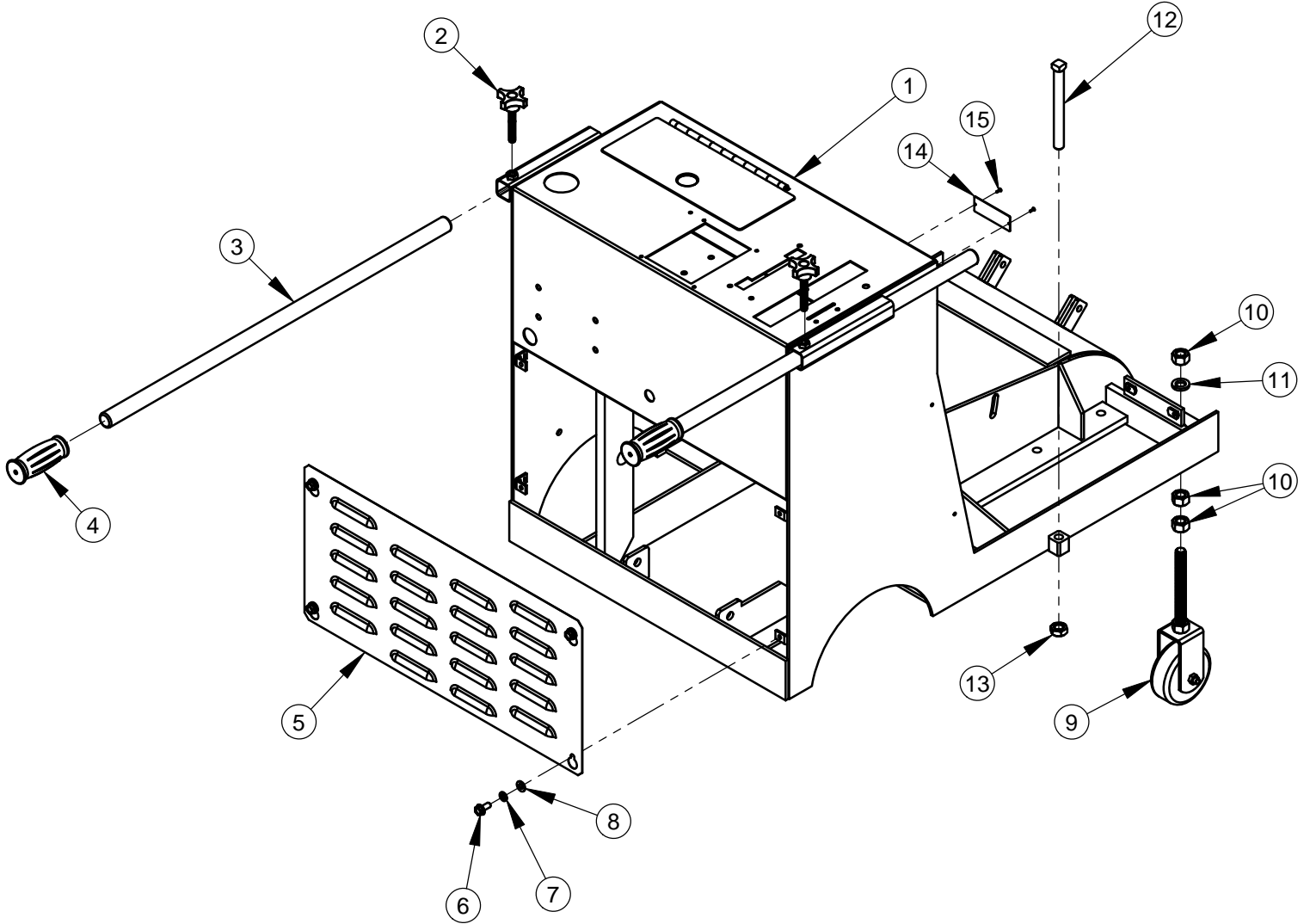
Part #1801649



# Table of Contents

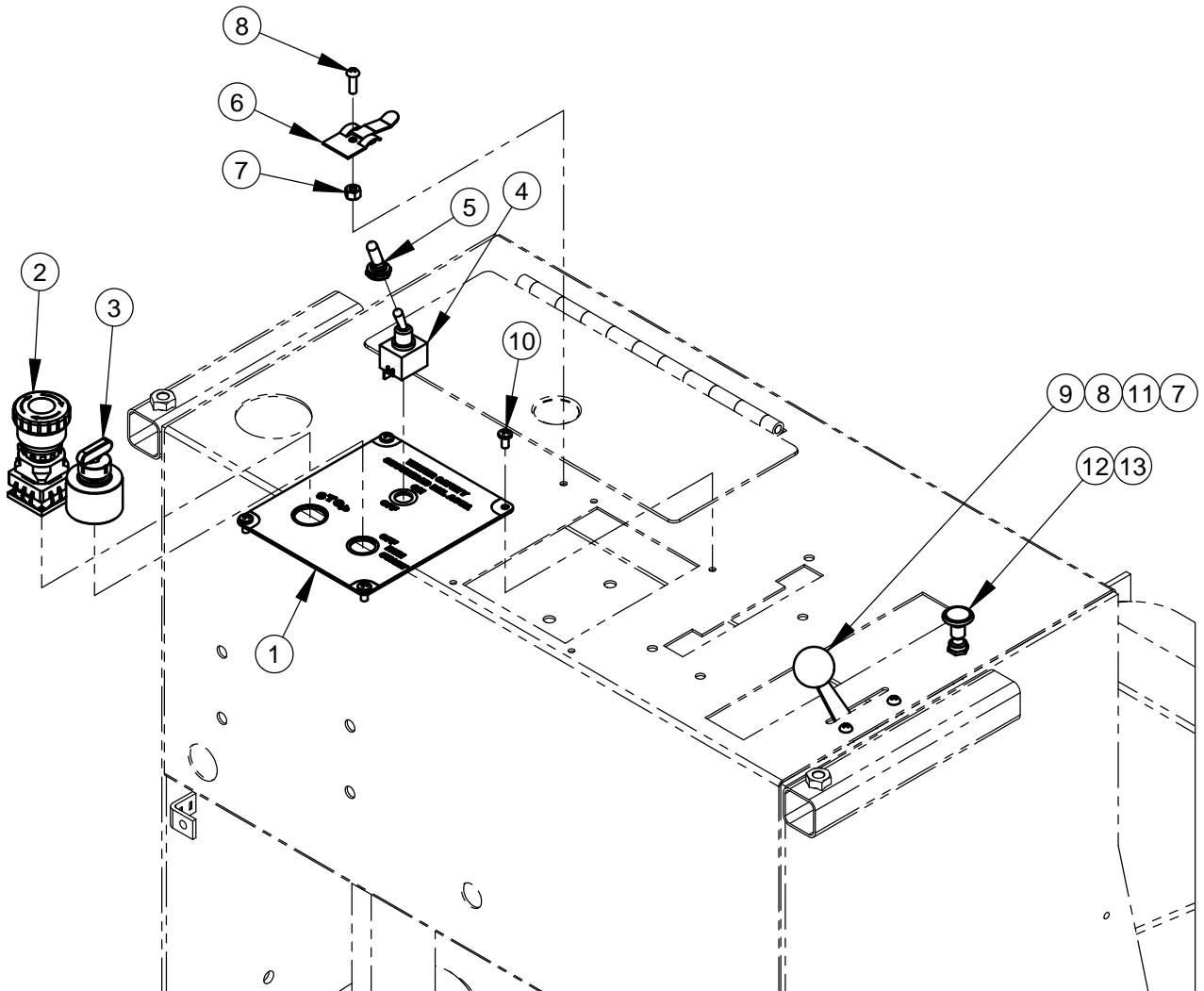
<b>Description</b>	<b>Page No.</b>
Frame Upright Assembly .....	4
Control Panel Assembly .....	5
Control Lever Assembly .....	6
Control Grip Assembly .....	7
Lift Pump Assembly .....	8
Front Axle Assembly .....	9
Rear Drive Assembly .....	10
Eaton Transmission Assembly.....	11
Rear Axle Assembly .....	12
Battery Assembly .....	13
Engine Assembly .....	14
Belt Drive Assembly, 24HP Honda .....	15
Motor Assembly.....	16
Belt Drive Assembly, 15HP Electric .....	17
Blade Shaft Assembly.....	18
Blade Shaft Sub-Assembly .....	19
Fuel Tank Assembly (Pre 2011) .....	20
Fuel Tank Assembly (EPA Compliant) .....	21
Water Supply Assembly .....	22
Starter Box Assembly .....	23
Starter Box Unit .....	24
Front Pointer Assembly .....	26
Belt Guard Assembly .....	27
Electrical Schematic.....	28
Decal Kits.....	29
Warranty .....	32

## Frame Upright Assembly #6081002



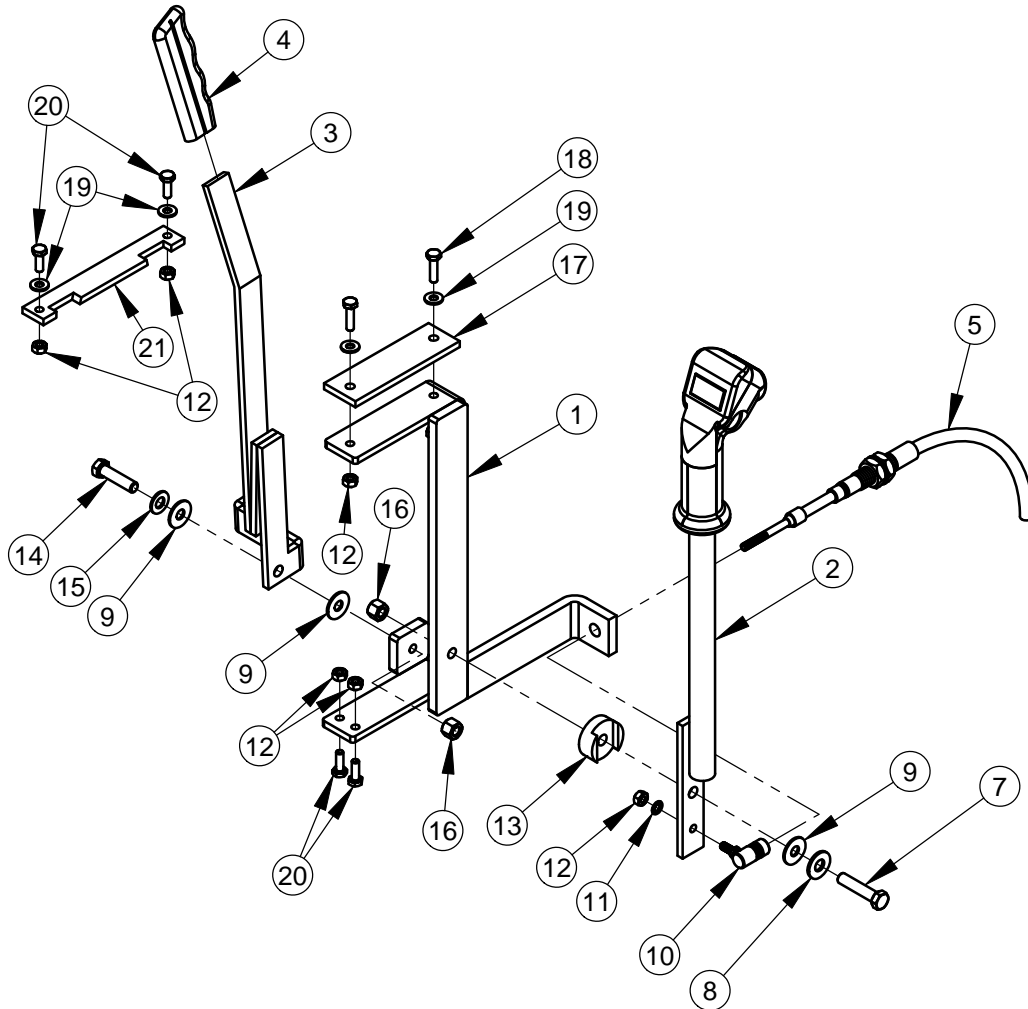
ITEM	PART NO.	QTY.	DESCRIPTION
1	6080012	1	Frame Upright Weldment
2	2505079	2	Threaded Knob, 3/8-16 x 2-1/2"
3	6013054	2	Handle Bar, 30" Long
4	2500636	2	Handle Grip
5	6046036	1	Rear Cover Screen, CG-1
6	2901292	4	Cap Screw, Flange Hd., 5/16"-18 x 3/4"
7	2900031	4	Lock Washer, 5/16" Split
8	2900022	4	Flat Washer, 5/16" SAE
9	6080014	2	Caster, Depth Control
10	2900112	6	Hex Nut, 5/8-11
11	2900113	2	Lock Washer, 5/8" Split
12	2903121	2	Set Screw, Sq. Hd., 5/8-11 x 6"
13	2900256	2	Jam Nut, 5/8-11
14	1800169	1	Serial Number Plate, US
15	2900096	2	Rivet, 3/32" Dia.

## Control Panel Assembly #6081016



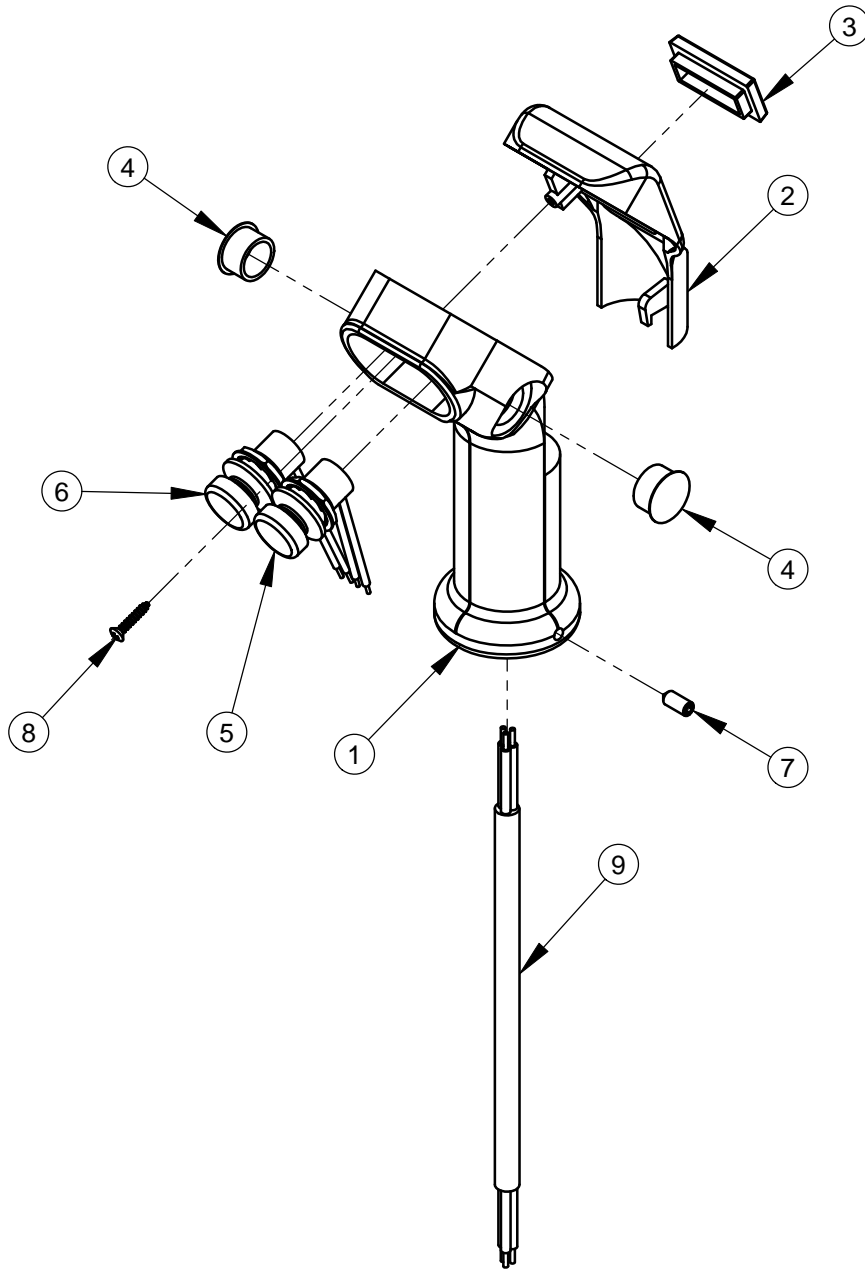
ITEM	PART NO.	QTY.	DESCRIPTION
1	6080011	1	Switch Plate
2	2801367	1	E-Stop Switch
3	2704280	1	Ignition Switch w/ Key (20 & 24H)
4	2800062	1	Toggle Switch On/Off
5	2800063	1	Switch Boot
6	2504069	1	Snap Down Latch
7	2900017	3	Lock Nut, #10-24 Nylon
8	2900159	3	Machine Screw, Rd. Hd., #10-24 x 5/8"
9	2500752	1	Throttle Control w/ Knob
10	2900021	4	Machine Screw, Pan Hd., #10-24 x 3/8"
11	2900016	2	Flat Washer, #10 USS
12	2500186	1	Choke Cable
13	2900148	1	Hex Nut, 3/8-24

## Control Lever Assembly #6081001



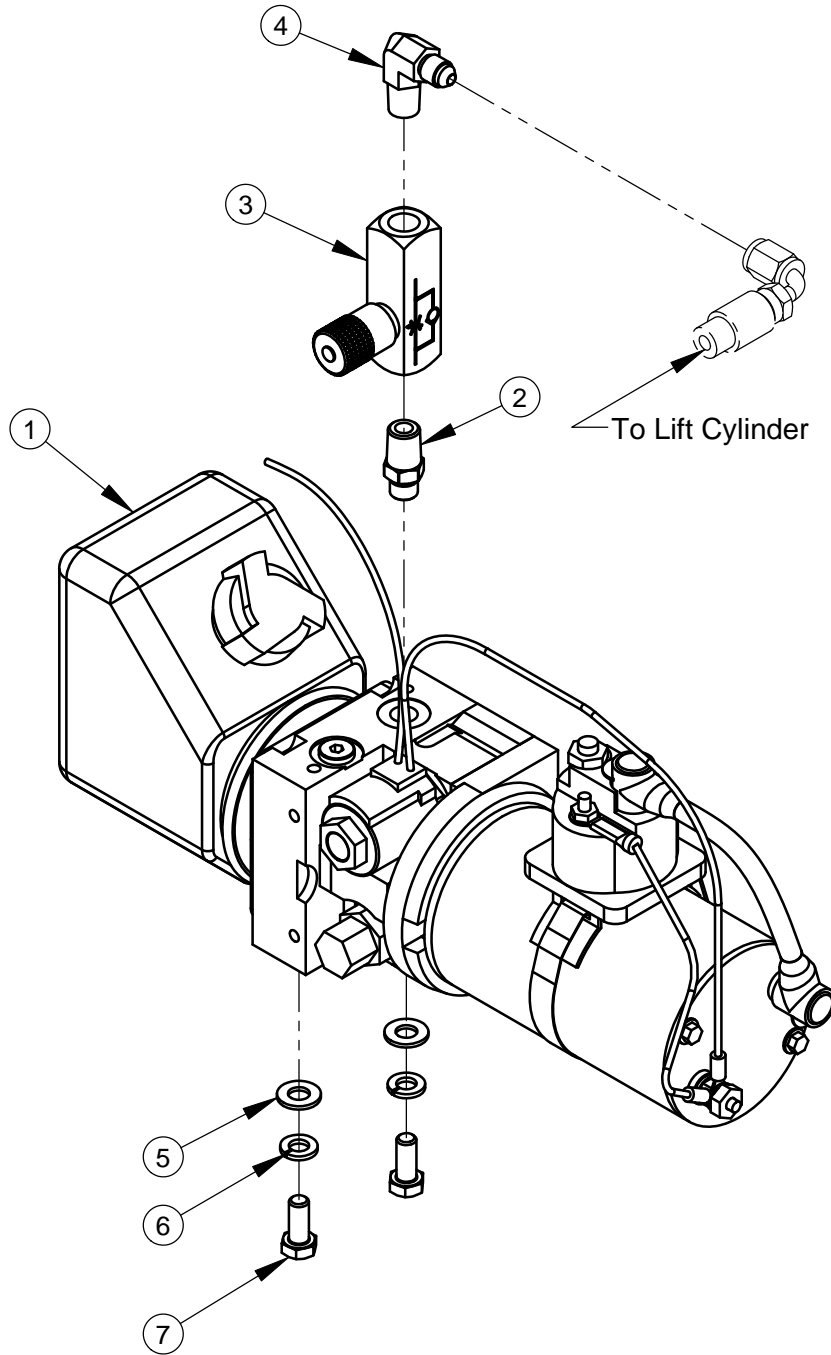
ITEM	PART NO.	QTY.	DESCRIPTION
1	6080017	1	Lever Support Weldment
2	6080018	1	Speed Control Lever
3	6080019	1	Engagement Lever Weldment
4	2500002	1	Lever Grip
5	2506424	1	Control Cable, 56"
6	6010319	1	Control Grip Assembly
7	2900047	1	Cap Screw, Hex Hd., 3/8-16 x 1-3/4"
8	2900473	1	Flat Washer, 3/8" USS
9	2900153	3	Friction Washer, 3/8"
10	2502132	1	Ball Joint, QD, #10-32 x 1/4"-28
11	2900785	1	Lock Washer, Toothed, 1/4"
12	2900186	7	Hex Nut, 1/4-28
13	6010055	1	Friction Spacer
14	2900029	1	Cap Screw, Hex Hd., 3/8"-16 x 1-1/2"
15	2900014	1	Flat Washer, 3/8" SAE
16	2900018	2	Lock Nut, 3/8-16 Nylon
17	2501339	1	Rubber Support Mount
18	2900008	2	Cap Screw, Hex Hd., 1/4-20 x 1"
19	2900009	4	Flat Washer, 1/4" SAE
20	2900144	4	Cap Screw, Hex Hd., 1/4-20 x 3/4"
21	6010058	1	Gate Plate

## Control Grip Assembly #6010319



ITEM	PART NO.	QTY.	DESCRIPTION
1	2501280	1	Control Grip Body
2	2501281	1	Control Grip Cover
3	2500644	1	Plug, Rectangular
4	2500694	2	Plug, 5/8" Hole
5	2800372	1	Pushbutton Switch, Raise
6	2800373	1	Pushbutton Switch (B&W)
7	2900453	1	Set Screw, Soc. Hd., M5 x 12mm
8	2900452	1	Machine Screw, Oval Hd., #4 x 5/8"
9	2800393	1	Harness, Hydraulic Pump

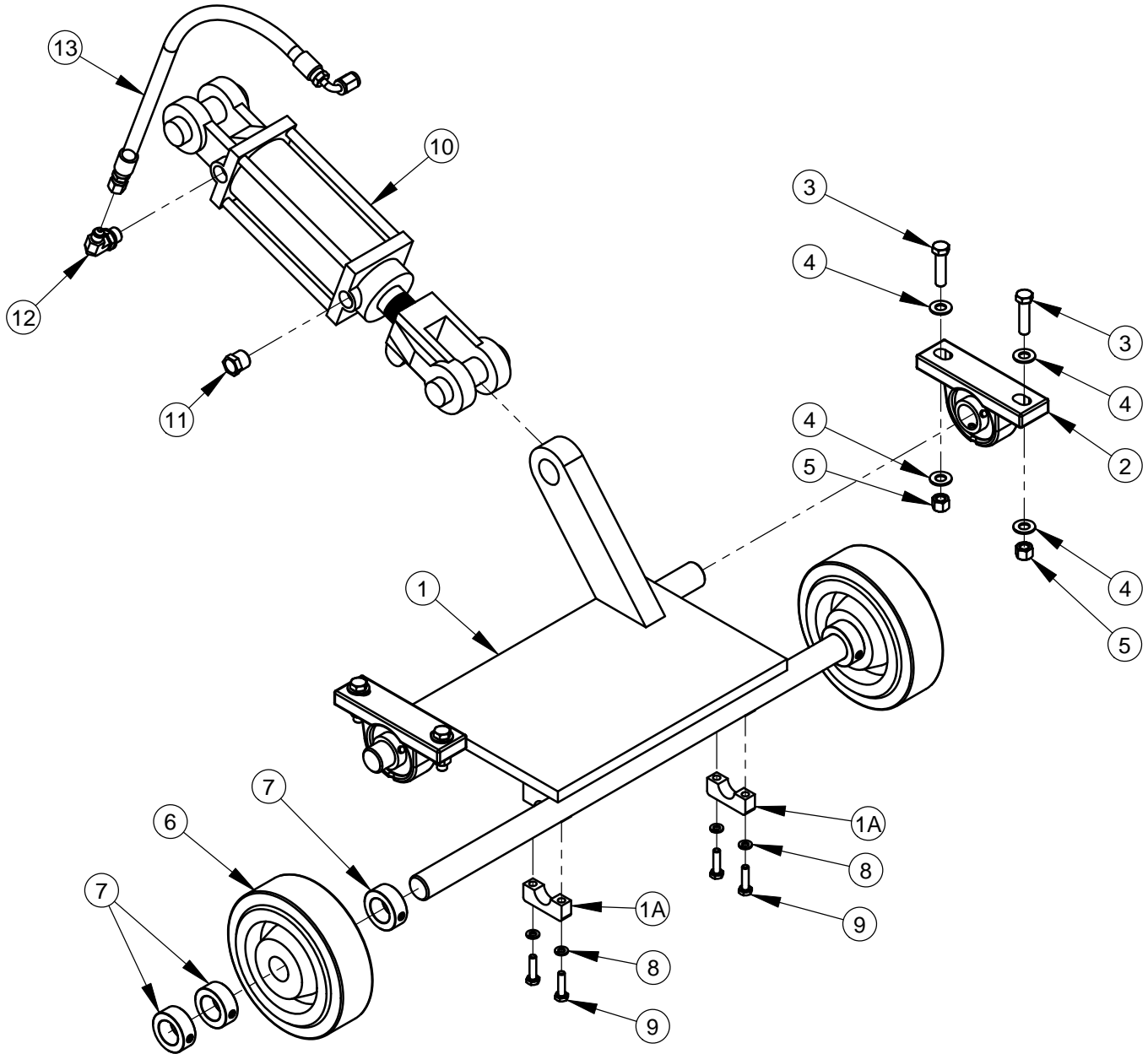
## Lift Pump Assembly #6081013



ITEM	PART NO.	QTY.	DESCRIPTION
1	2600540	1	Electro/Hydraulic Pump Unit
2	3200758	1	Adapter, 1/4" M. O-Ring to 1/4" MPT
3	3200056	1	Flow Control Valve, 1/4" NPT
4	3200057	1	Elbow, 1/4" M. Pipe to 1/4" M. JIC
5	2900022	2	Flat Washer, 5/16" SAE
6	2900031	2	Lock Washer, 5/16" Split
7	2900019	2	Cap Screw, Hex Hd., 5/16-18 x 3/4"

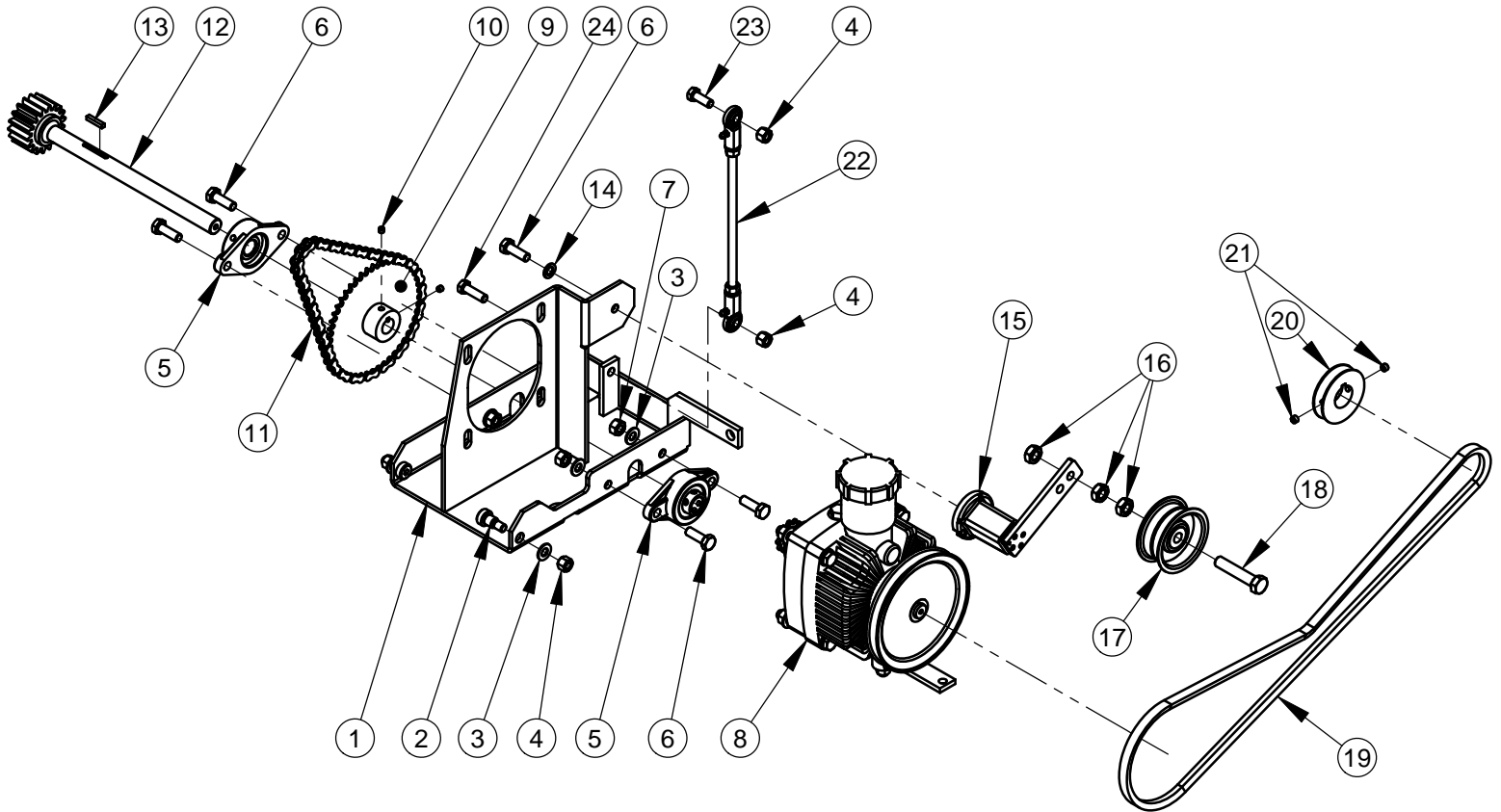


## Front Axle Assembly #6081005



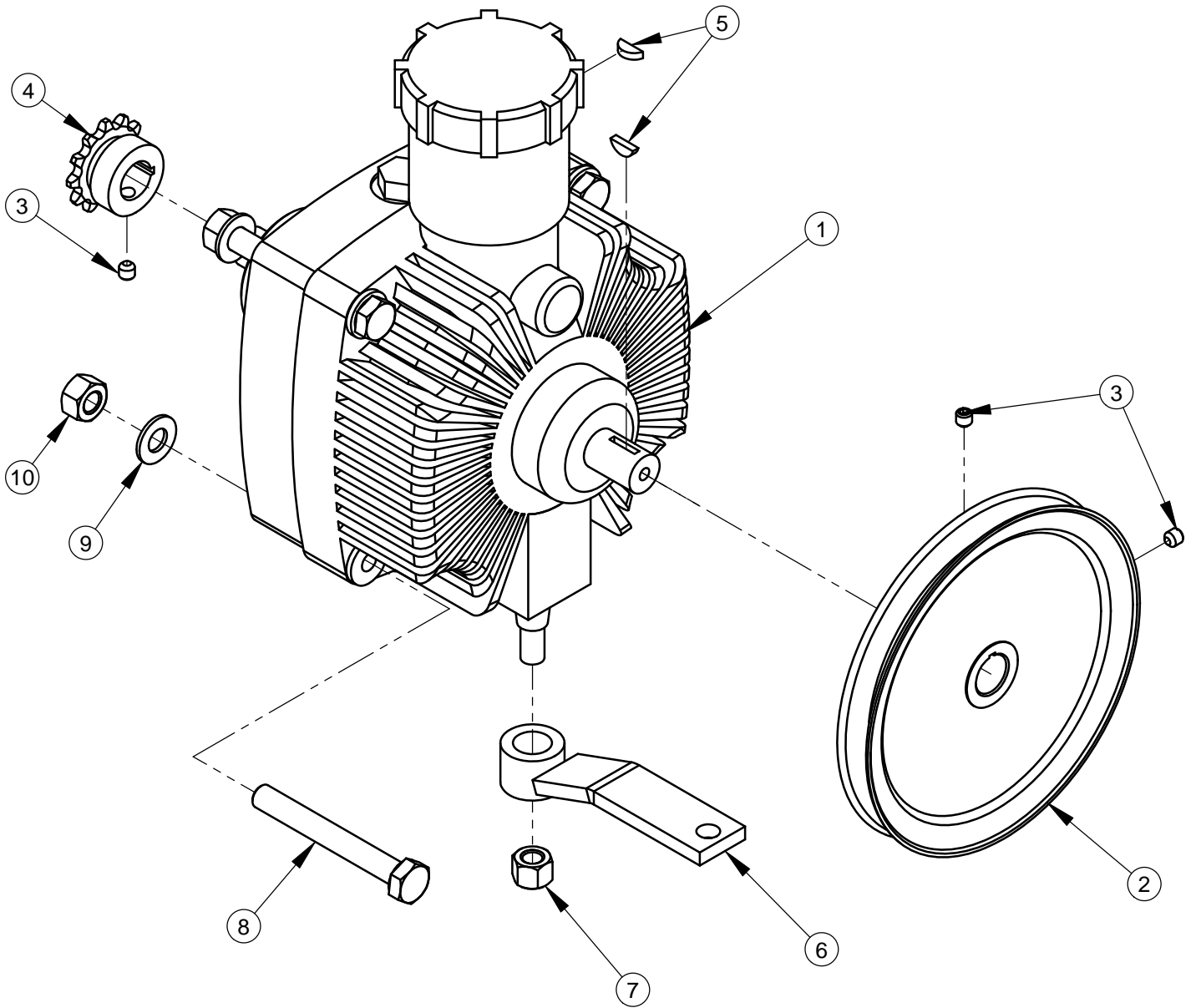
ITEM	PART NO.	QTY.	DESCRIPTION
1	6080013	1	Front Axle Weldment
	6093052B	2	Spraybar Clamp (Bottom)
2	2500013	2	Bearing, 1" Pillowblock
3	2900029	4	Cap Screw, Hex Hd., 3/8-16 x 1-1/2"
4	2900014	8	Flat Washer, 3/8" SAE
5	2900018	4	Lock Nut, 3/8-16 Nylon
6	2500299	2	Wheel, 6" X 2" X 1"
7	2500009	6	Set Collar, 1" ID
8	2900024	4	Lock Washer, 1/4" Split
9	2900008	4	Cap Screw, Hex Hd., 1/4-20 x 1"
10	2705371	1	Hydraulic Cylinder, 2" X 4"
11	3201490	1	Breather Vent, 1/4" NPT
12	3200551	1	Elbow, 3/8" O-Ring to 1/4" M. JIC
13	3205737	1	Hydraulic Hose Assembly, 16" Long

## Rear Drive Assembly #6081007



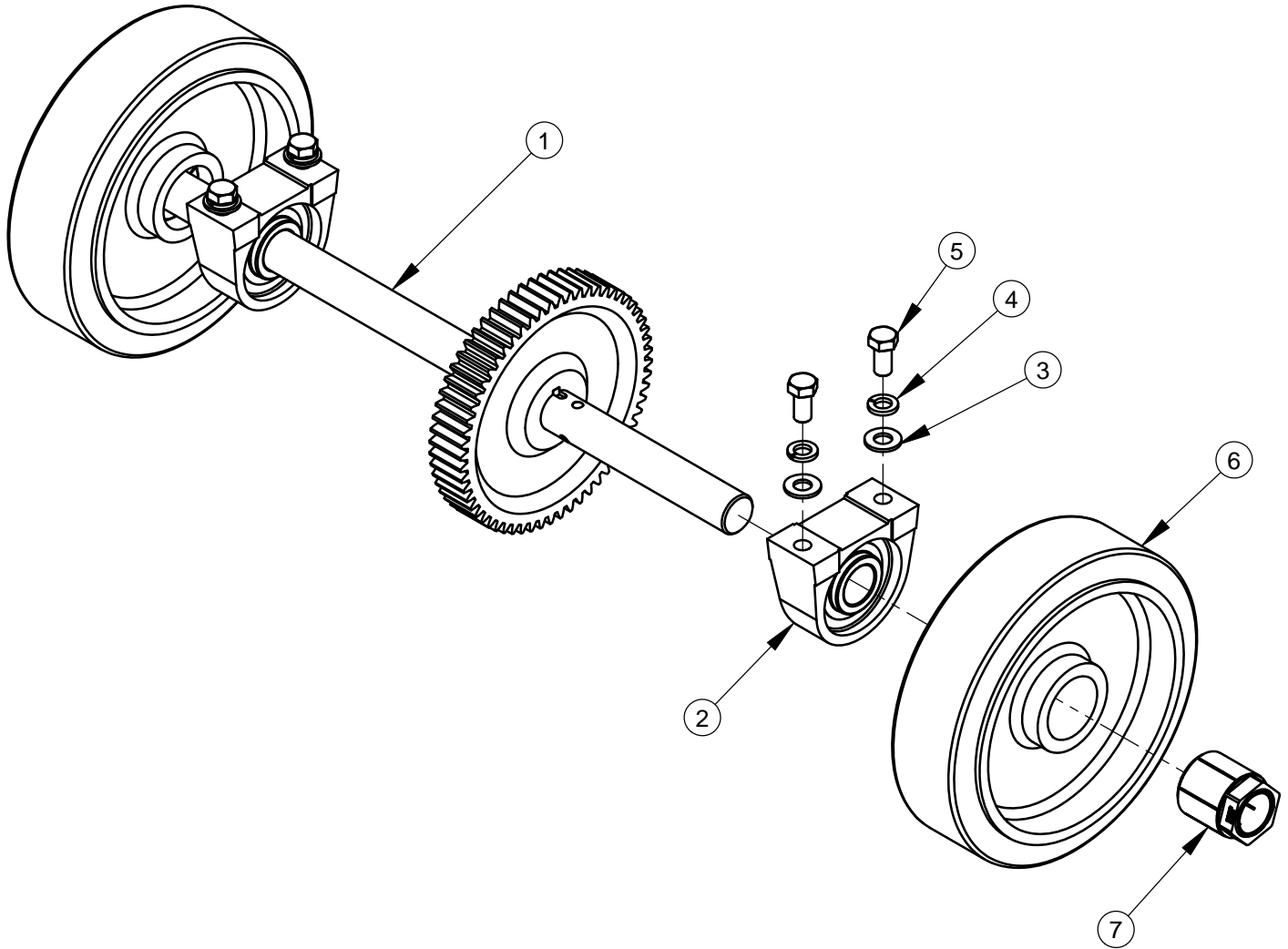
ITEM	PART NO.	QTY.	DESCRIPTION
1	6080007	1	Transmission Platform, CG-1
2	2900588	2	Shoulder Screw, 1/2" x 1/2" (3/8-16)
3	2900014	6	Flat Washer, 3/8" SAE
4	2900018	4	Lock Nut, 3/8-16 Nylon
5	2500011	2	Flange Mt. Bearing 3/4"
6	2900223	5	Cap Screw, Hex Hd., M10 x 30mm
7	2900304	4	Lock Nut, M10 Nylon
8	6081006	1	Eaton Transmission Assembly, CG-1
9	2500018	1	Sprocket, 48 Teeth w/ Setscrews
10	2900056	2	Set Screw, Soc. Hd., 1/4-20 x 1/4"
11	6048232	1	Chain, #35 x 63 Pitch
12	6080006	1	Transmission Jackshaft 18T
13	6010170	1	Key, 3/16" Sq. x 1"
14	2900321	1	Lock Washer, M10 Split
15	2502666	1	Idler Tensioner
16	2900129	3	Hex Nut, Jam, 1/2"-13
17	2502566	1	Idler Pulley, 2-3/4" Flat
18	2900811	1	Cap Screw, Hex Hd., 1/2-13 x 2-1/2"
19	2506423	1	V-Belt, AX53
20	6048195	1	Pulley, 1-1/8" Bore
21	2900036	2	Set Screw, Soc. Hd., 5/16-18 x 1/4"
22	6010703	1	Linkage Assembly 11-1/2"
23	2900005	1	Cap Screw, Hex Hd., 3/8-16 x 1"
24	2900013	1	Cap Screw, Hex Hd., 3/8-16 x 1-1/4"

## Eaton Transmission Assembly #6081006



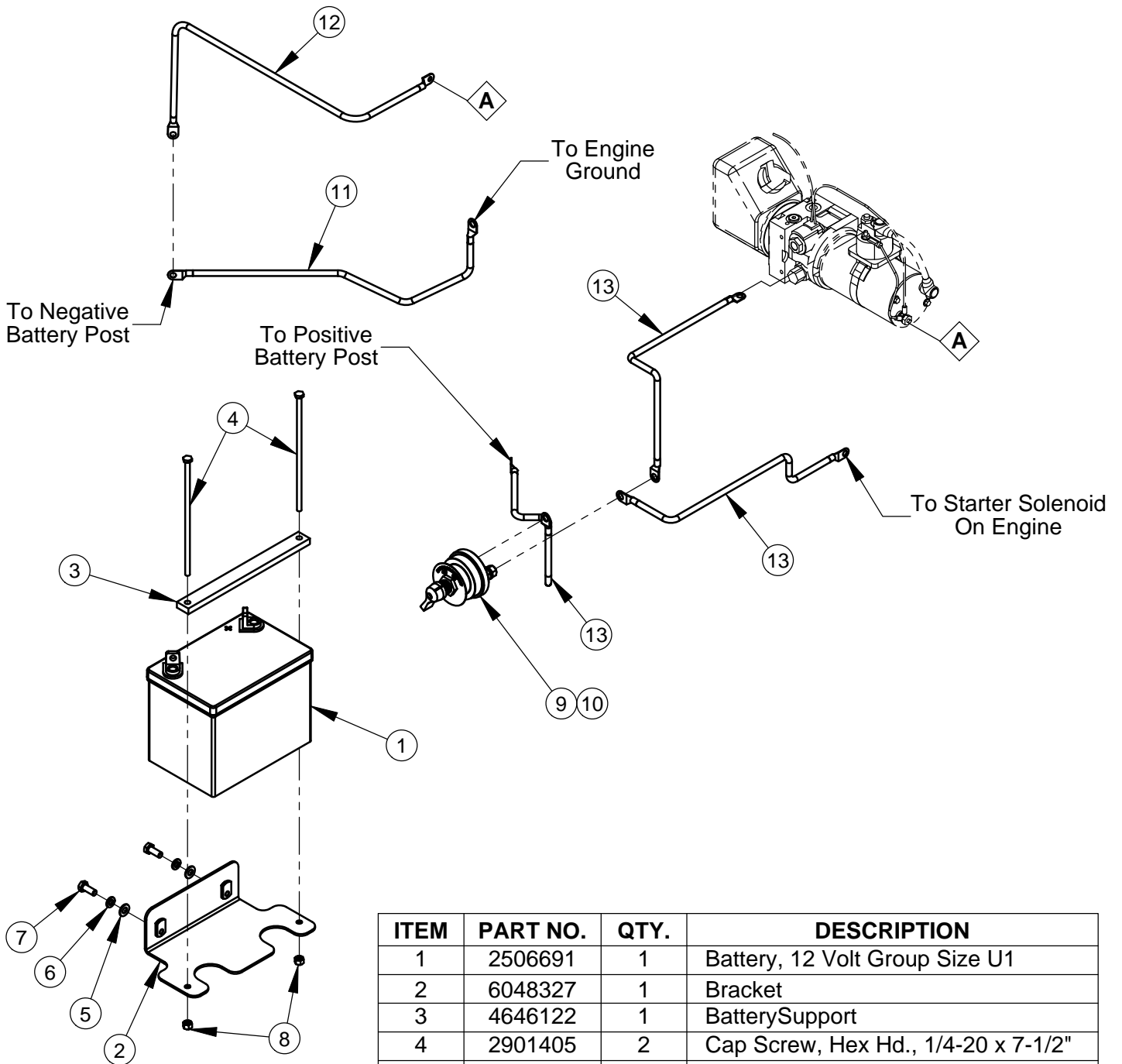
ITEM	PART NO.	QTY.	DESCRIPTION
1	2600015	1	Eaton 6 Transmission
2	2500016	1	Pulley, 6"
3	2900056	3	Set Screw, Soc. Hd., 1/4-20 x 1/4"
4	2500017	1	Sprocket, 12 Teeth
5	2900068	2	Woodruff Key #404, 1/8" W x 1/2" Dia.
6	6048211	1	Shift Lever
7	2900018	1	Lock Nut, 3/8-16 Nylon
8	2900319	4	Cap Screw, Hex Hd., M10 x 80mm
9	2900014	4	Flat Washer, 3/8" SAE
10	2900304	4	Lock Nut, M10 Nylon

## Rear Axle Assembly #6081008



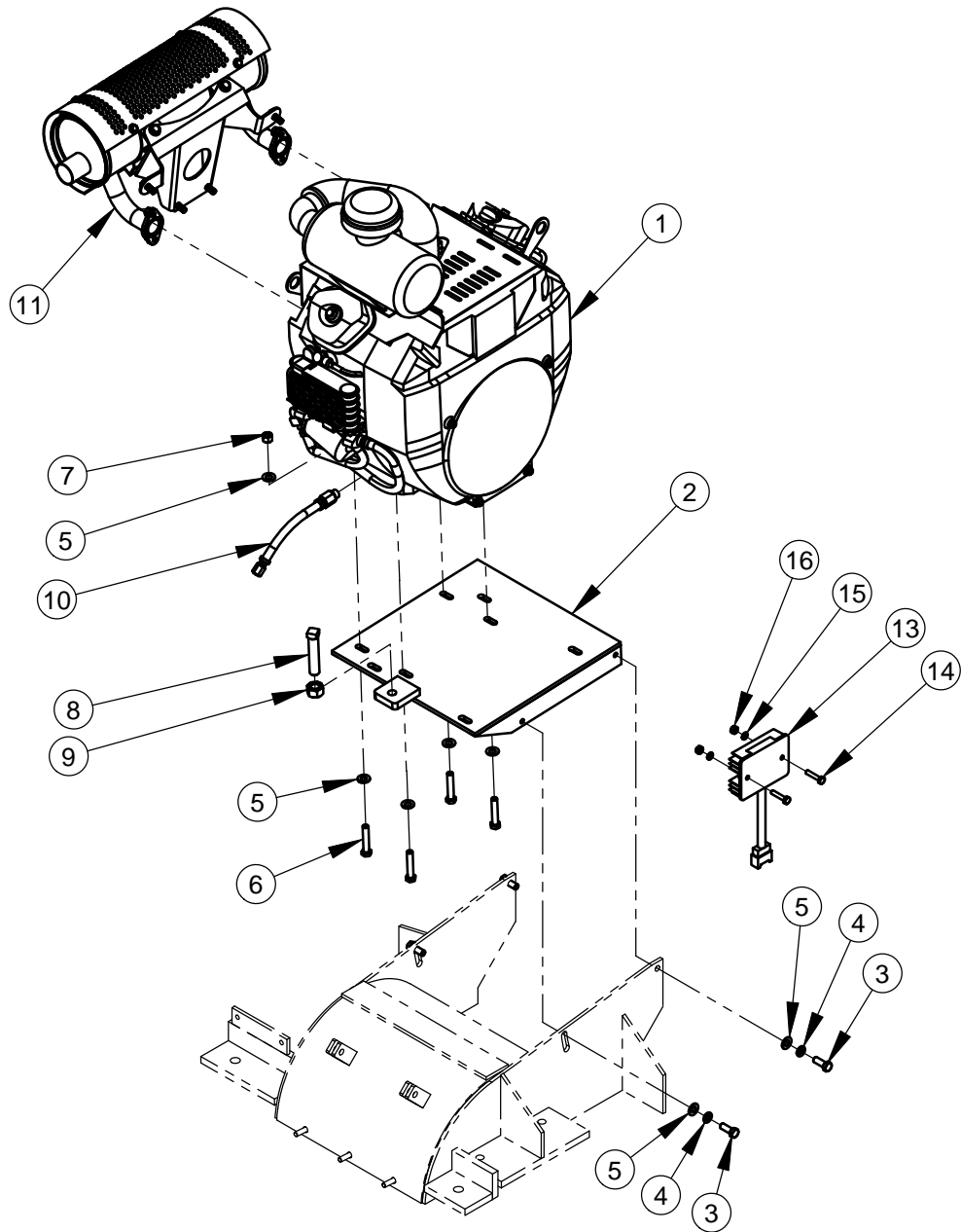
ITEM	PART NO.	QTY.	DESCRIPTION
1	6080008	1	Rear Axle Weldment, CG-1
2	2500158	2	Pillow Block Bearing 1-1/4"
3	2900058	4	Flat Washer, 1/2" SAE
4	2900084	4	Lock Washer, 1/2" Split
5	2900086	4	Cap Screw, Hex Hd., 1/2-13 x 1"
6	2500873	2	Wheel, 10" Rear with 2" Bore
7	2500874	2	Trantorque Bushing, 1-1/4"

## Battery Assembly #6081003



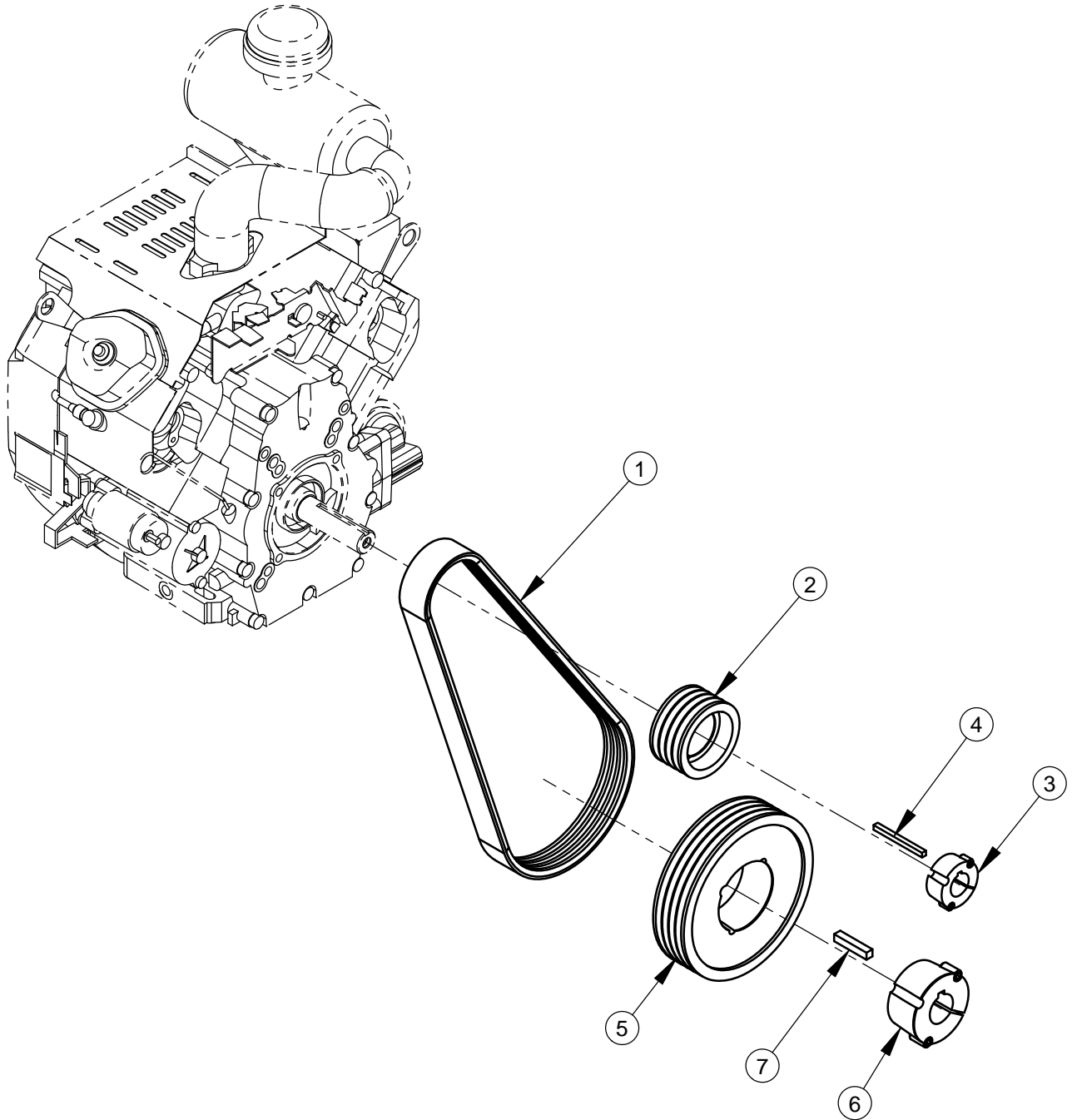
ITEM	PART NO.	QTY.	DESCRIPTION
1	2506691	1	Battery, 12 Volt Group Size U1
2	6048327	1	Bracket
3	4646122	1	Battery Support
4	2901405	2	Cap Screw, Hex Hd., 1/4-20 x 7-1/2"
5	2900022	2	Flat Washer, 5/16" SAE
6	2900031	2	Lock Washer, 5/16" Split
7	2900329	2	Capscrew, Hex Hd., M8 x 20mm
8	2900010	2	Lock Nut, 1/4-20 Nylon
9	2800565	1	Battery Disconnect Switch
10	2800566	1	Face Plate, Battery Disconnect
11	6080101	1	Battery Cable, 18", Neg., 6 GA
12	6048358	1	Battery Cable, Neg, 18"
13	6080100	3	Battery Cable, Pos., 18"

## Engine Assembly #6081009



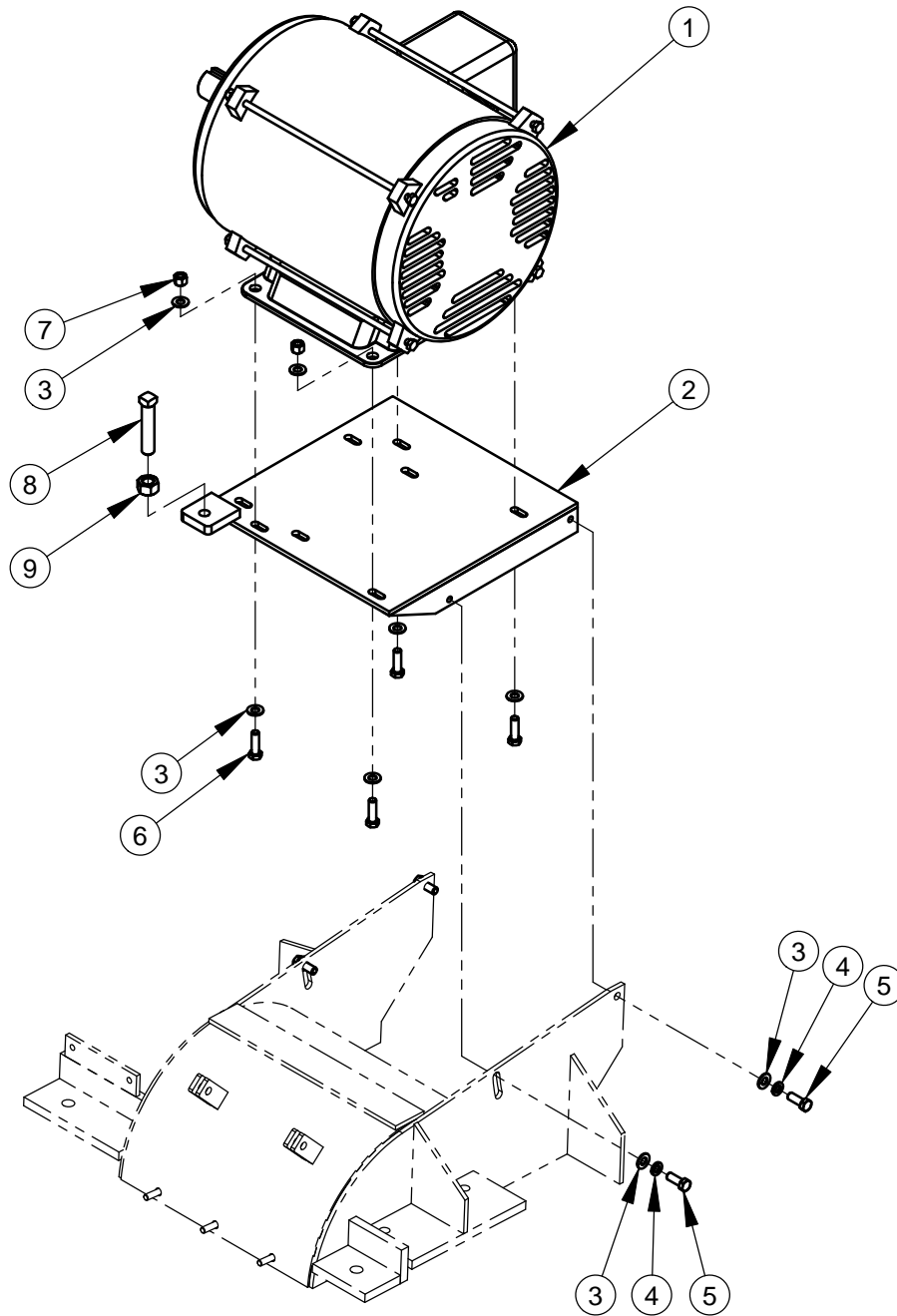
ITEM	PART NO.	QTY.	DESCRIPTION
1	2600642	1	Engine, 24 HP Honda
2	6080009	1	Engine Mount Plate
3	2900005	4	Cap Screw, Hex Hd., 3/8-16 x 1"
4	2900006	4	Lock Washer, 3/8" Split
5	2900014	12	Flat Washer, 3/8" SAE
6	2900060	4	Cap Screw, Hex Hd., 3/8-16 x 2"
7	2900018	4	Lock Nut, 3/8-16 Nylon
8	2900081	1	Set Screw, Sq. Hd., 5/8-11 x 3"
9	2900112	1	Hex Nut, 5/8-11
10	6048043	1	Oil Drain Hose Assembly
11	2705029	1	Muffler Assy., Honda, R. Side Exhaust
13	2701670	1	Rectifier Assembly
14	2900052	2	Cap Screw, Hex Hd., 1/4-20 x 1-1/4"
15	2900024	2	Lock Washer, 1/4" Split
16	2900125	2	Hex Nut, 1/4"-20

## Belt Drive Assembly, 24HP Honda #6081010



ITEM	PART NO.	QTY.	DESCRIPTION
1	2500437	1	Banded Belt, 4/3VX500 - 4 Strand
2	2504531	1	Sheave, 3.65" x 4 Groove, Taper Style
3	2500031	1	Taper Bushing, 1-1/8" w/Set Screws
4	6047977	1	Key, 1/4" Sq. x 3"
5	2504530	1	Sheave, 8.00" x 4 Groove Taper Style
6	2504533	1	Bushing, TL, 2517 X 1-7/16 w/ Setscrews
7	6011224	1	Key, 3/8 SQ. X 2"

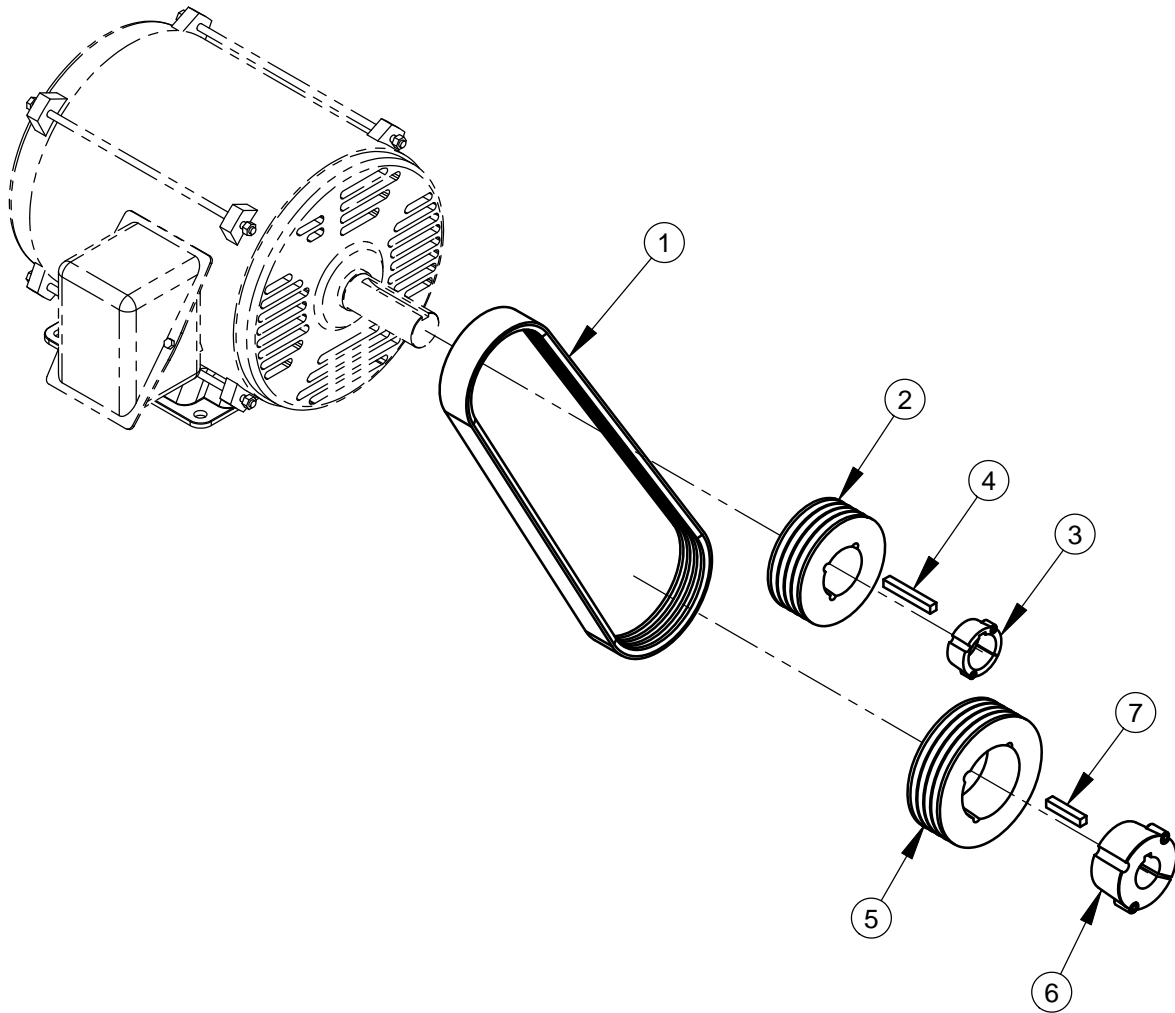
## Motor Assembly #6081018



ITEM	PART NO.	QTY.	DESCRIPTION
1	2603310	1	Electric Motor, 15HP, 230V, 3PH
2	6080022	1	Motor Mount Plate
3	2900014	12	Flat Washer, 3/8" SAE
4	2900006	4	Lock Washer, 3/8" Split
5	2900005	4	Cap Screw, Hex Hd., 3/8-16 x 1"
6	2900013	4	Cap Screw, Hex Hd., 3/8-16 x 1-1/4"
7	2900018	4	Lock Nut, 3/8-16 Nylon
8	2900081	1	Set Screw, Sq. Hd., 5/8-11 x 3"
9	2900112	1	Hex Nut, 5/8-11

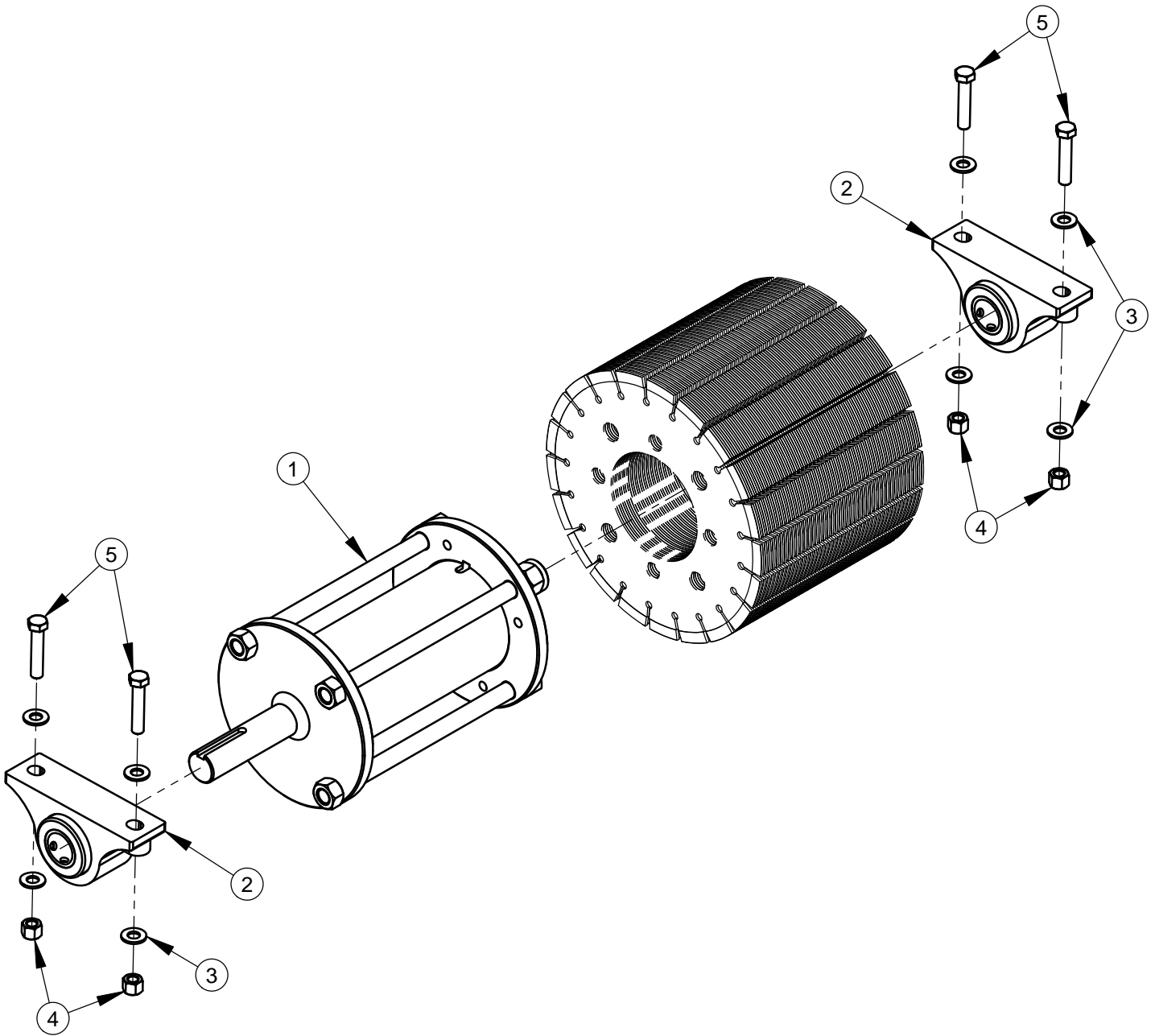


## Belt Drive Assembly, 15HP Electric #6081019



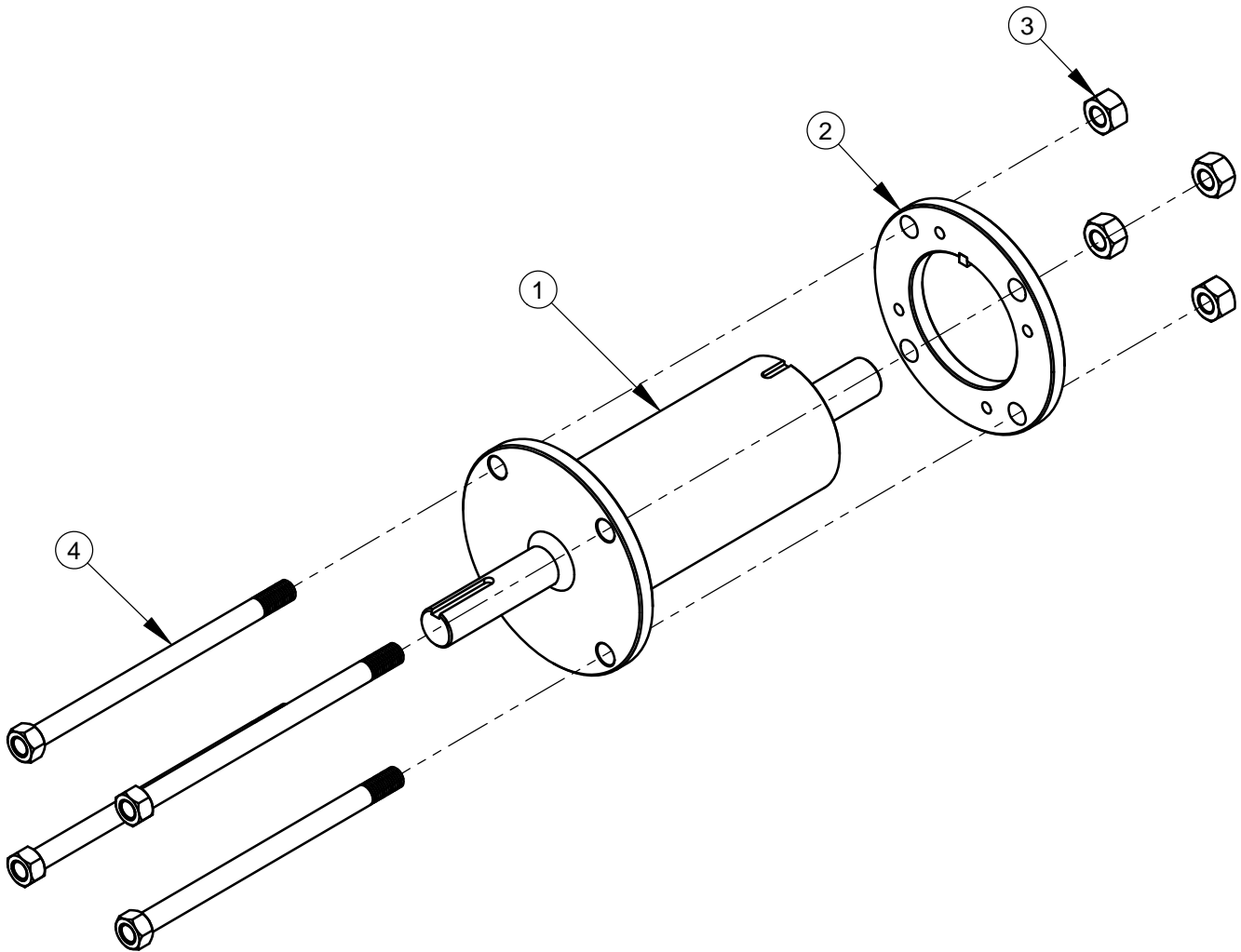
ITEM	PART NO.	QTY.	DESCRIPTION
1	2500437	1	Banded Belt, 4/3VX500 - 4 Strand
2	2506446	1	Sheave, 5.00" x 4 Groove, Taper Style
3	2506447	1	Bushing, TL, 1610 x 1-5/8" w/ Setscrews
4	6011058	1	Key, 3/8" Sq. x 2-3/4"
5	2506448	1	Sheave, 3V x 6" x 4 Groove Taper Style
6	2504533	1	Bushing, TL, 2517 X 1-7/16 w/ Setscrews
7	6011224	1	Key, 3/8 SQ. X 2"

**Blade Shaft Assembly #6081011  
(Blades and Spacers Not Included)**



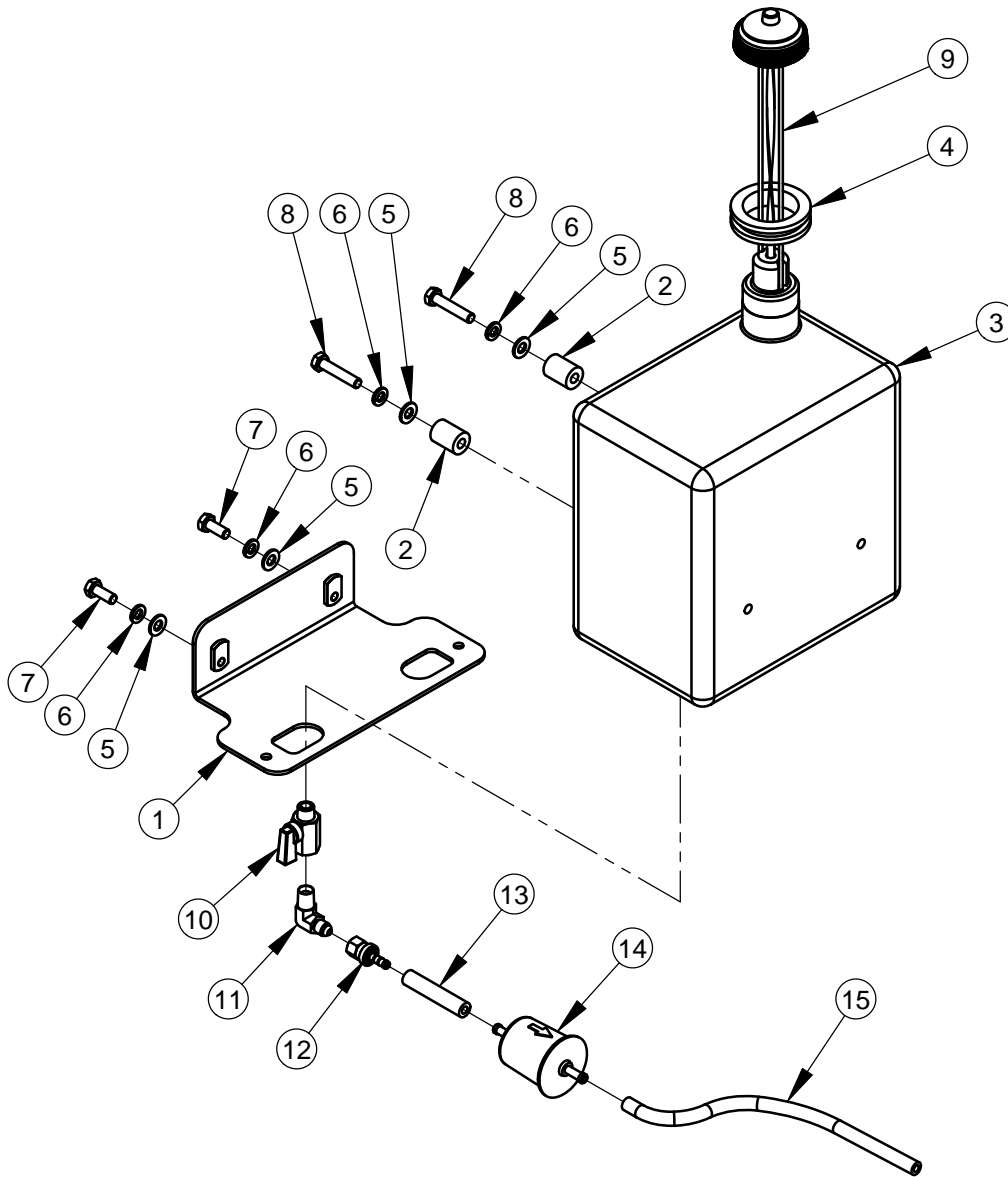
ITEM	PART NO.	QTY.	DESCRIPTION
1	6081012	1	Blade Shaft Subassembly, CG-1
2	2705403	2	Blade Shaft Bearing, 1-7/16"
3	2900058	8	Flat Washer, 1/2" SAE
4	2900026	4	Lock Nut, 1/2-13 Nylon
5	2900811	4	Cap Screw, Hex Hd., 1/2-13 x 2-1/2"

## Blade Shaft Subassembly #6081012



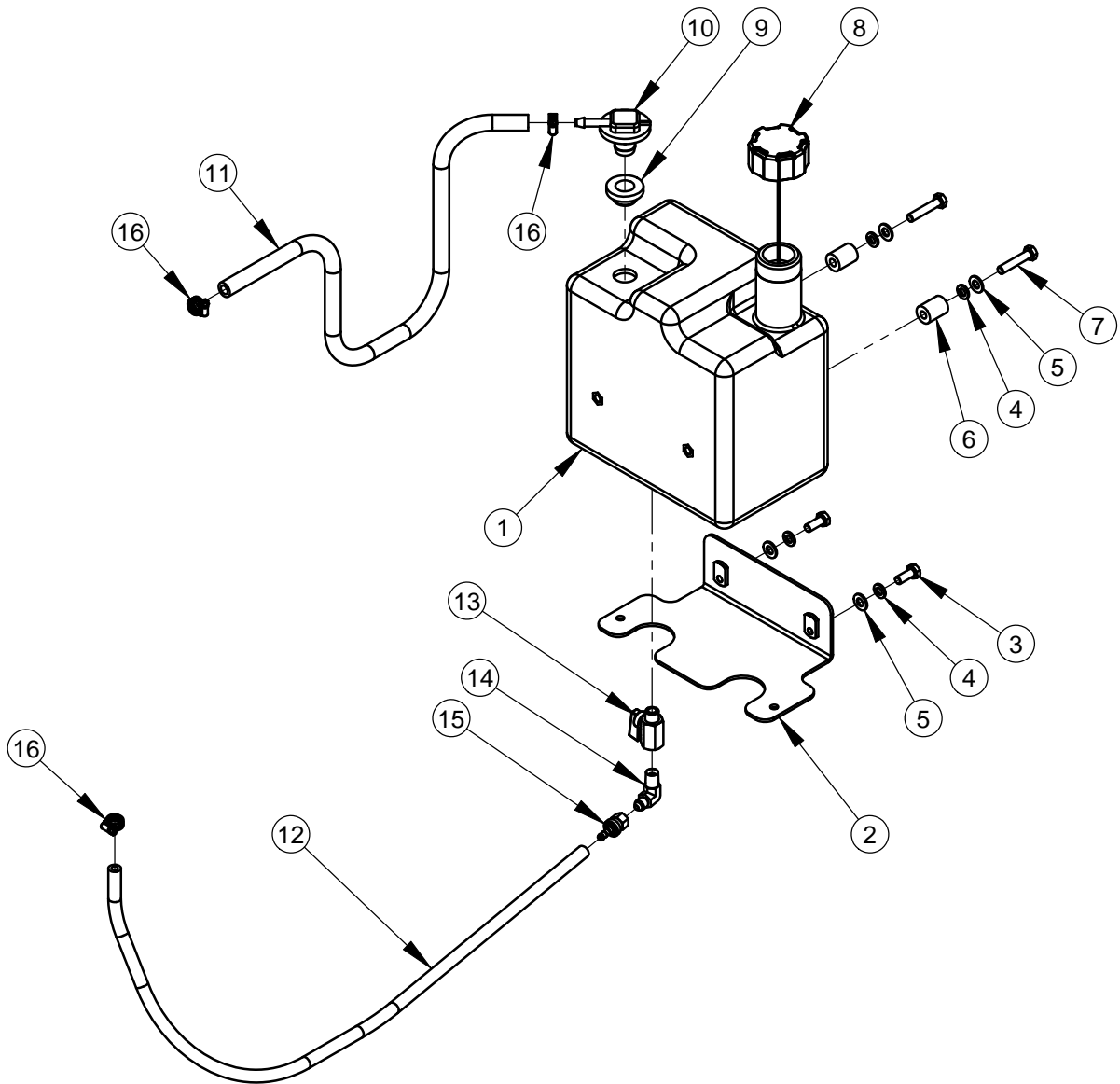
ITEM	PART NO.	QTY.	DESCRIPTION
1	7600182	1	Blade Shaft, CG-1
2	6078034	1	Flange Weldment, Blade Shaft
3	2900041	4	Hex Nut, 3/4"-10
4	6080003	4	Blade Shaft Rod Assembly

**Fuel Tank Assembly #6081014  
(Pre 2011)**



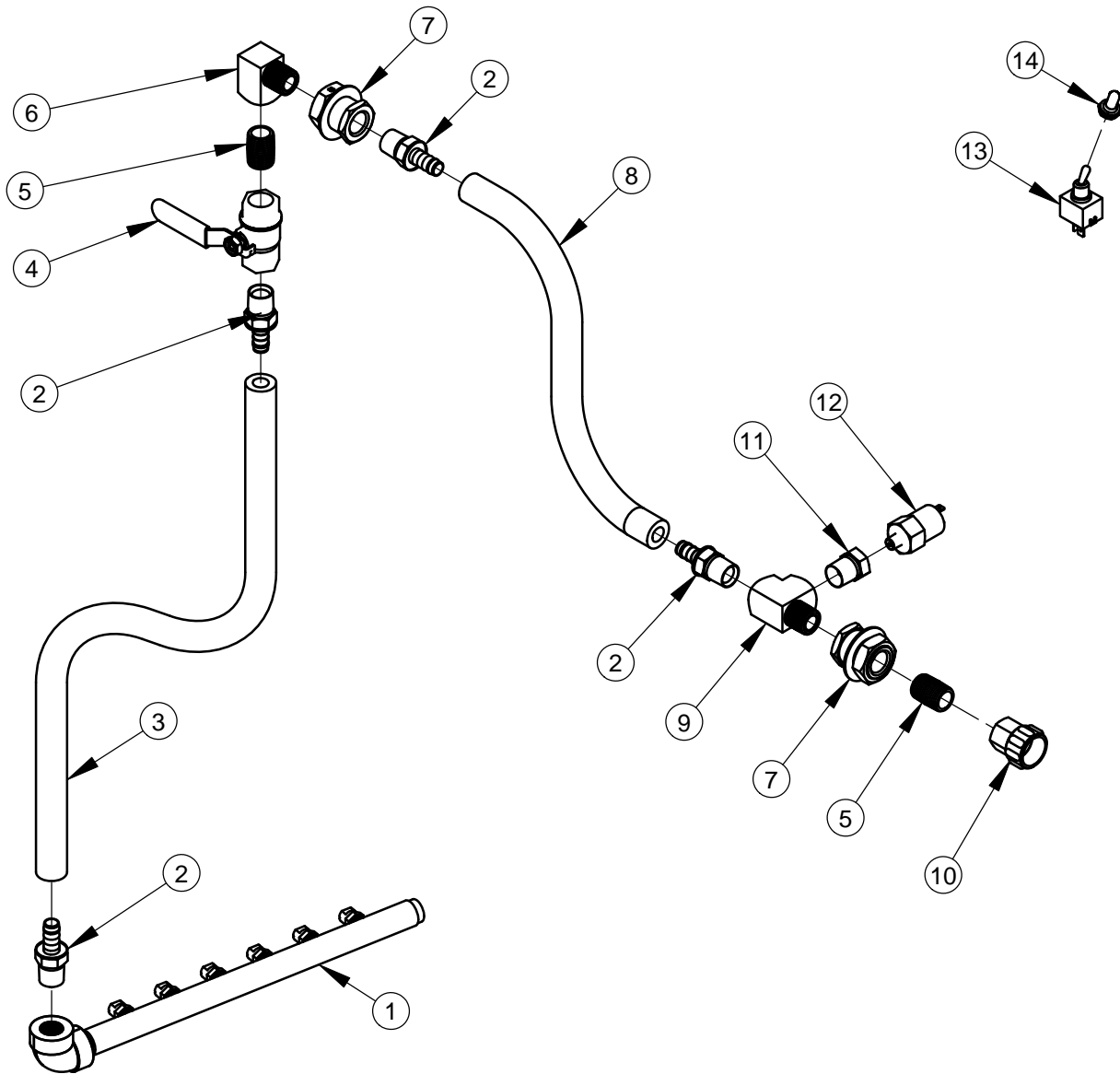
ITEM	PART NO.	QTY.	DESCRIPTION
1	6048327	1	Bracket
2	2900797	2	Standoff, 3/4 x 1"
3	2500628	1	Fuel Tank
4	2500623	1	Fuel Tank Grommet
5	2900022	4	Flat Washer, 5/16" SAE
6	2900031	4	Lock Washer, 5/16" Split
7	2900329	2	Capscrew, Hex Hd., M8 x 20mm
8	2900792	2	Cap Screw, Hex Hd., M8 x 40mm
9	2500622	1	Fuel Tank Cap w/Gauge
10	3200108	1	Ball Valve, 1/4" NPT
11	3200057	1	Elbow, 1/4" M. Pipe to 1/4" M. JIC
12	3200091	1	Fitting, 1/4" F. JIC to 1/4" Push Lock
13	6010461	1	Fuel Line, 1/4" x 2-1/2"
14	2500201	1	Filter, Gasoline Fuel
15	6011188	1	Fuel Return Hose, 1/4" ID x 38"

**Fuel Tank Assembly #6081020  
(EPA Compliant)**



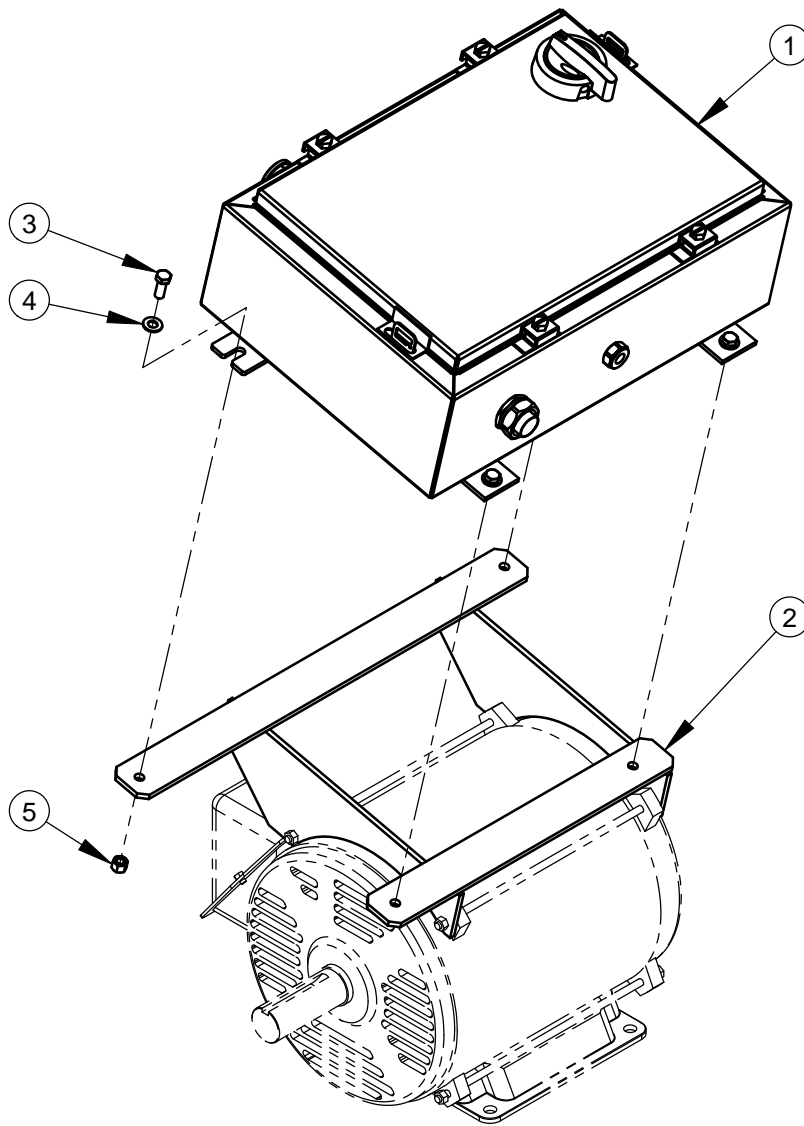
ITEM	PART NO.	QTY.	DESCRIPTION
1	6010846	1	Fuel Tank, 1.5 Gallon
2	6048327	1	Bracket
3	2900329	2	Capscrew, Hex Hd., M8 x 20mm
4	2900031	4	Lock Washer, 5/16" Split
5	2900022	4	Flat Washer, 5/16" SAE
6	2900797	2	Standoff, 3/4 x 1"
7	2900792	2	Cap Screw, Hex Hd., M8 x 40mm
8	2506718	1	Fuel Tank Cap, 1-3/4"
9	2506716	1	Grommet
10	2505503	1	Roll Over Vent, 3/8" Hose Barb
11	6080024	1	Fuel Vapor Exhaust Line
12	6080023	1	Fuel Supply Line, 1/4"
13	3200108	1	Ball Valve, 1/4" NPT
14	3200057	1	Elbow, 1/4" M. Pipe to 1/4" M. JIC
15	3200091	1	Fitting, 1/4" F. JIC to 1/4" Push Lock
16	3200390	3	Hose Clamp #6

## Water Supply Assembly #6081004



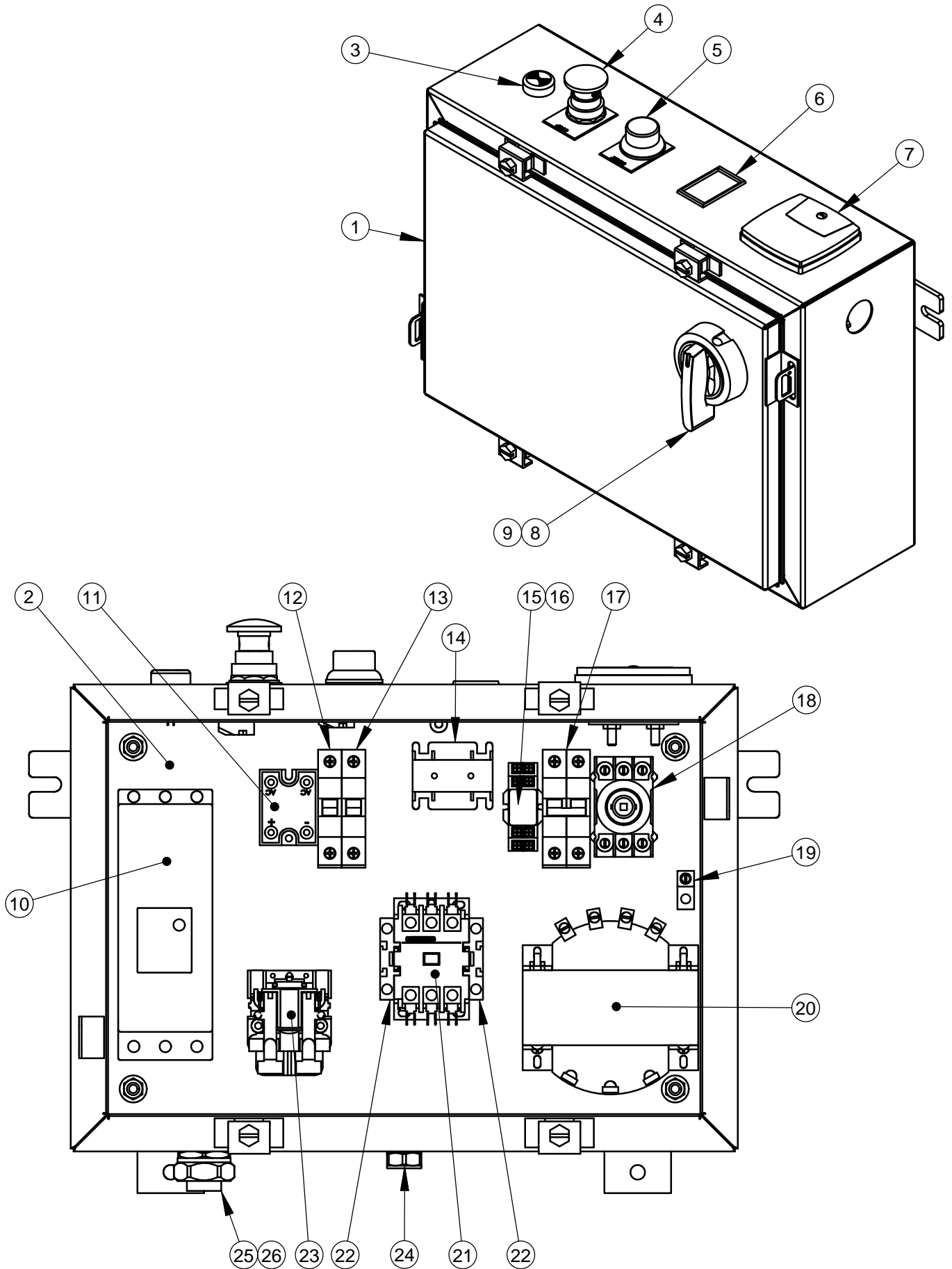
ITEM	PART NO.	QTY.	DESCRIPTION
1	6080016	1	Spray Pipe Assembly
2	3200172	4	Fitting, 1/2" M. Pipe to 1/2" Pushlok
3	6080005	1	Water Hose, 1/2" ID x 36", Clear Braided
4	3200027	1	Water Valve
5	3200598	2	Close Nipple, 1/2" NPT, Brass
6	3201354	1	Fitting, Street Elbow, 90°, 1/2"-14 NPT
7	3205582	2	Bulkhead Anchor Coupling, 1/2" NPTF
8	6080004	1	Water Hose, 1/2" ID x 18"
9	3205583	1	Fitting, Street Tee, 1/2"-14 NPTF
10	3200595	1	Fitting, 1/2" F. Pipe to 3/4" F. Garden
11	3205584	1	Reducer, 1/2" M. to 1/8" F. Pipe
12	2800060	1	Water Pressure Safety Switch
13	2800062	1	Toggle Switch On/Off
14	2800063	1	Switch Boot

## Starter Box Assembly #6081017



ITEM	PART NO.	QTY.	DESCRIPTION
1	2800653	1	Soft Start Control Box, CG-1/CG-2
2	6080021	1	Starter Box Mounting Bracket, CG-1
3	2900005	4	Cap Screw, Hex Hd., 3/8-16 x 1"
4	2900014	4	Flat Washer, 3/8" SAE
5	2900018	4	Lock Nut, 3/8-16 Nylon

# Starter Box Unit #2800653

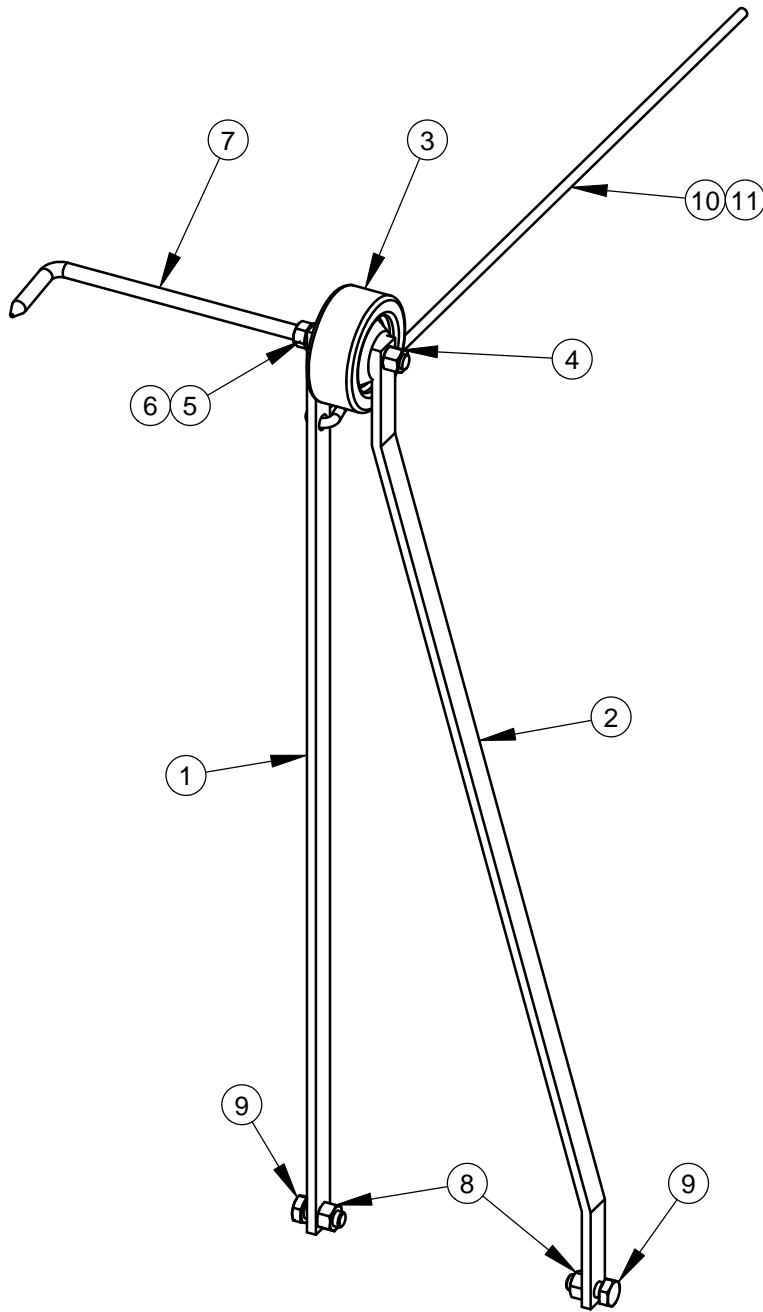




## Starter Box Unit #2800653

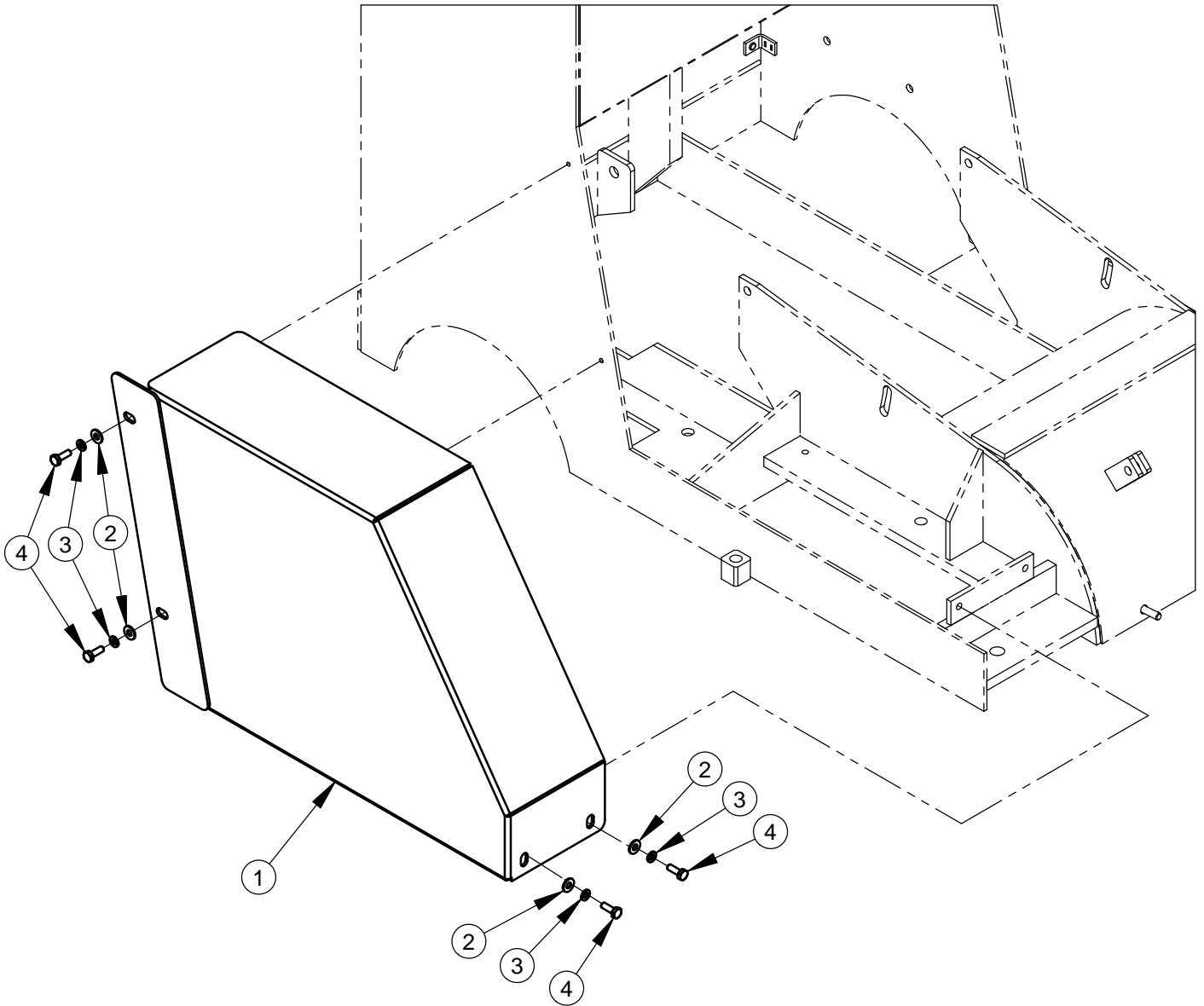
ITEM	PART NO.	QTY.	DESCRIPTION
1	2800909	1	Enclosure, 20" x 14" x 6"
2	2800910	1	Subpanel
3	2801801	1	Sounder Alarm
4	6011329	1	Stop Button Assembly
5	6011097	1	Start Button Assembly
6	2800224	1	Battery Charge Ammeter
7	2801802	1	Ammeter
8	2707338	1	Disconnect Handle
9	6080020	1	Disconnect Rod
10	2803038	1	Motor Controller, Soft Start
11	2701274	1	Rectifier Bridge
12	2801433	1	Circuit Breaker, 5A, Single Pole
13	2801434	1	Circuit Breaker, 25A, Single Pole
14	2800248	1	Current Transformer
15	2801804	1	Power Relay
16	2801803	1	Relay Socket
17	2801435	1	Circuit Breaker, 3A, Double Pole
18	2701422	1	Disconnect Block
19	2800315	1	Grounding Lug
20	2701299	1	Transformer, 500VA
21	2801432	1	Contact, 24V Coil
22	2800335	2	Auxiliary Contact
23	2701295	1	Power Relay, 12V-DC
24	2800552	1	Connector, 1/2" Cord
25	2800272	1	Connector, 1" Sealtite, Straight
26	2802604	1	Insulating Bushing, Plastic, 1"

## Front Pointer Assembly #6048080

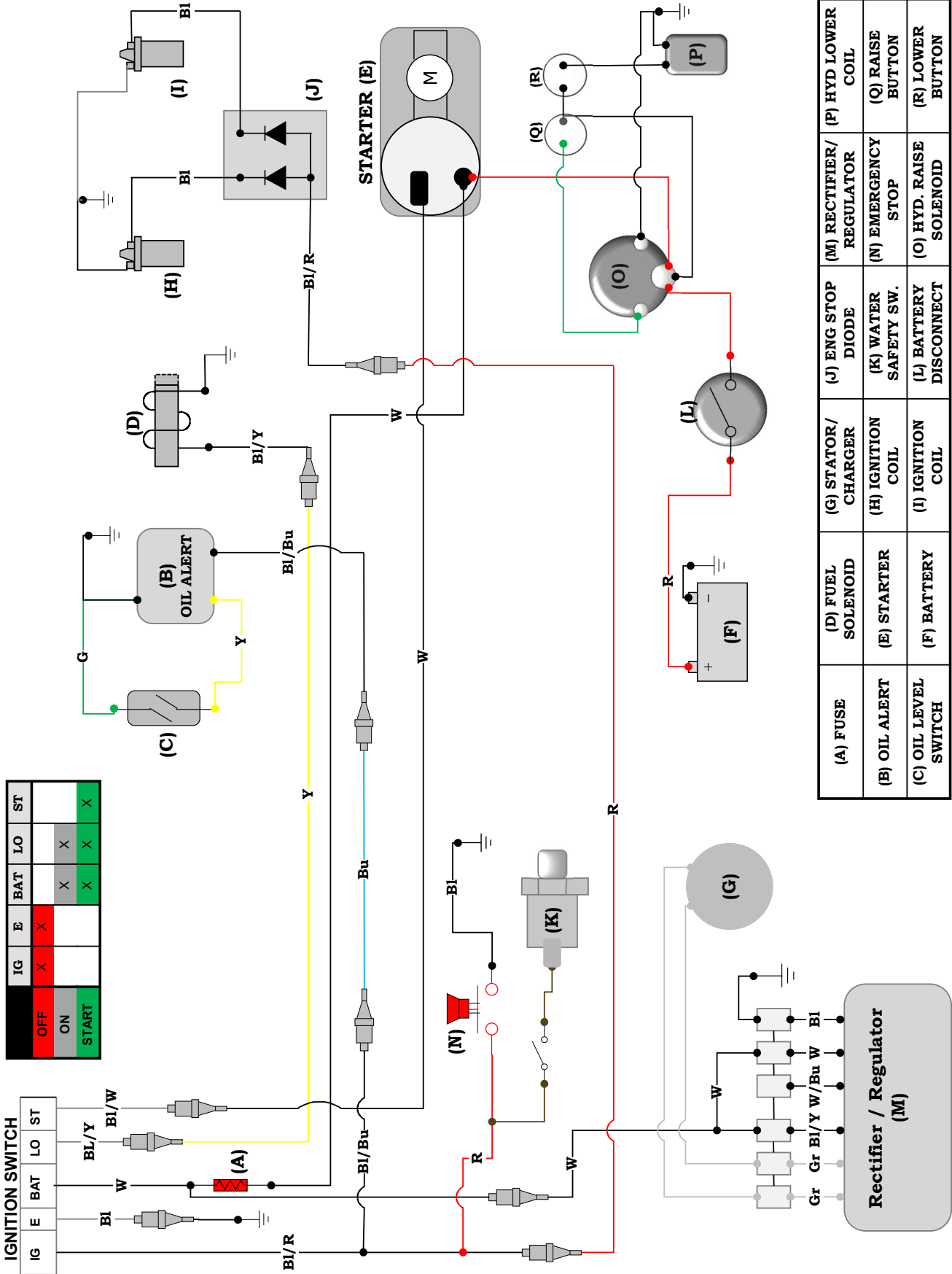


ITEM	PART NO.	QTY.	DESCRIPTION
1	6048069	1	Pointer Bar - Straight
2	6048070	1	Pointer Bar - Offset
3	2500624	1	Wheel, 3"
4	2900018	1	Lock Nut, 3/8-16 Nylon
5	2901106	1	Lock Washer, 3/8" Split
6	2900033	1	Hex Nut, 3/8-16
7	2900032	1	Pointer Rod
8	2900304	2	Lock Nut, M10 Nylon
9	2900333	2	Cap Screw, Hex Hd., M10 x 25mm
10	6048078	1	Rope, 1/4 x 78"
11	3200221	1	Pinch Clamp, Two Ear

## Belt Guard Assembly #6081015



ITEM	PART NO.	QTY.	DESCRIPTION
1	6080010	1	Belt Guard Weldment
2	2900009	4	Flat Washer, 1/4" SAE
3	2900024	4	Lock Washer, 1/4" Split
4	2900144	4	Cap Screw, Hex Hd., 1/4-20 x 3/4"

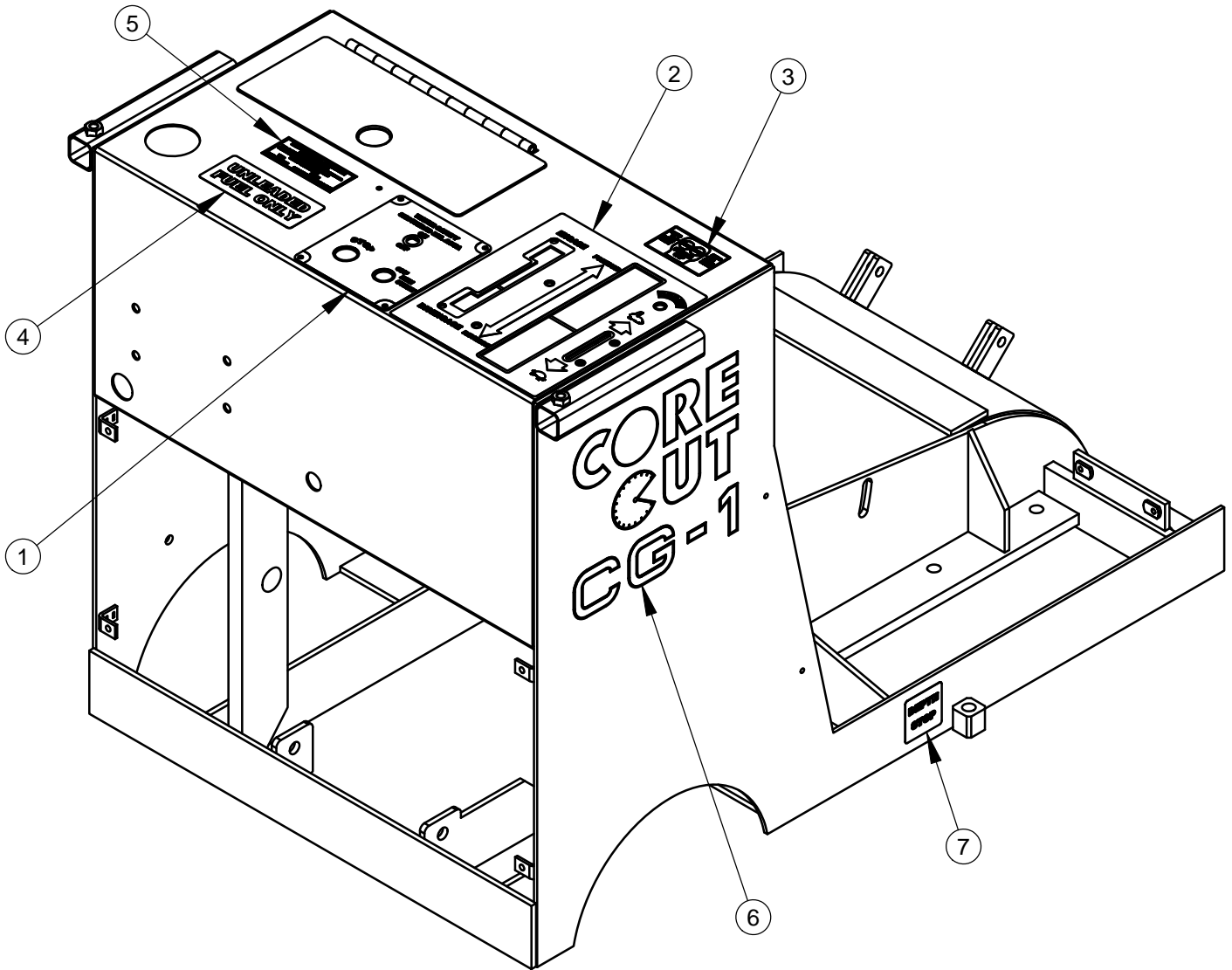


IG	E	BAT	LO	ST
OFF	X	X	X	X
ON		X	X	X
START		X	X	X

(A) FUSE	(D) FUEL SOLENOID	(G) STATOR/CHARGER	(J) ENG STOP DIODE	(M) RECTIFIER/REGULATOR	(P) HYD LOWER COIL
(B) OIL ALERT	(E) STARTER	(H) IGNITION COIL	(K) WATER SAFETY SW.	(N) EMERGENCY STOP	(Q) RAISE BUTTON
(C) OIL LEVEL SWITCH	(F) BATTERY	(I) IGNITION COIL	(L) BATTERY DISCONNECT	(O) HYD. RAISE SOLENOID	(R) LOWER BUTTON

# CG-1 WIRING SCHEMATIC

**Decal Kit, Gas #1803002**  
**and**  
**Decal Kit, Electric #1803003**



ITEM	PART NO.	QTY.	DESCRIPTION
1	1801722	1	Switch Plate Decal, CG-1
2	1801723	1	Control Panel Decal, CG-1
3	1802006	1	Decal, Control Grip
4	1801724 *	1	Decal, Unleaded Fuel Only
5	1801716 *	1	Decal, EPA EVAP Standard
6	1801406	2	Core Cut Decal, CG-1
7	1801725	2	Decal; Depth Stop

\* ITEMS #4 & #5 ARE NOT INCLUDED IN ELECTRIC DECAL KIT #1803003





## EQUIPMENT AND PARTS WARRANTY

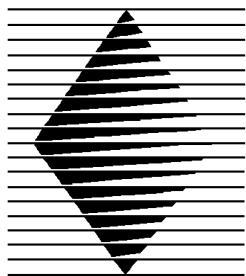
Diamond Products warrants all equipment manufactured by it against defects in workmanship or materials for a period of one (1) year from the date of shipment to Customer.

The responsibility of Diamond Products under this Warranty is limited to replacement or repair of defective parts at Diamond Products' Elyria, Ohio factory, or at a point designated by it, of such parts as shall appear to us upon inspection at such parts, to have been defective in material or workmanship, with expense for transportation and labor borne by Customer.

In no event shall Diamond Products be liable for consequential or incidental damages arising out of the failure of any Product to operate properly.

Integral units such as engines, electric motors, batteries, transmissions, etc., are excluded from this Warranty and are subject to the prime manufacturer's warranty.

**THIS WARRANTY IS IN LIEU OF ALL OTHER WARRANTIES, EXPRESSED OR IMPLIED, AND ALL SUCH OTHER WARRANTIES ARE HEREBY DISCLAIMED.**



# DIAMOND PRODUCTS

333 Prospect Street, Elyria, Ohio 44035  
(440) 323-4616 • (800) 321-5336 • Fax (440) 323-8689  
[www.diamondproducts.com](http://www.diamondproducts.com)