



CONCRETE SAW PARTS LIST

MODEL CC190PRO

MARCH 2017

Part # 1802584

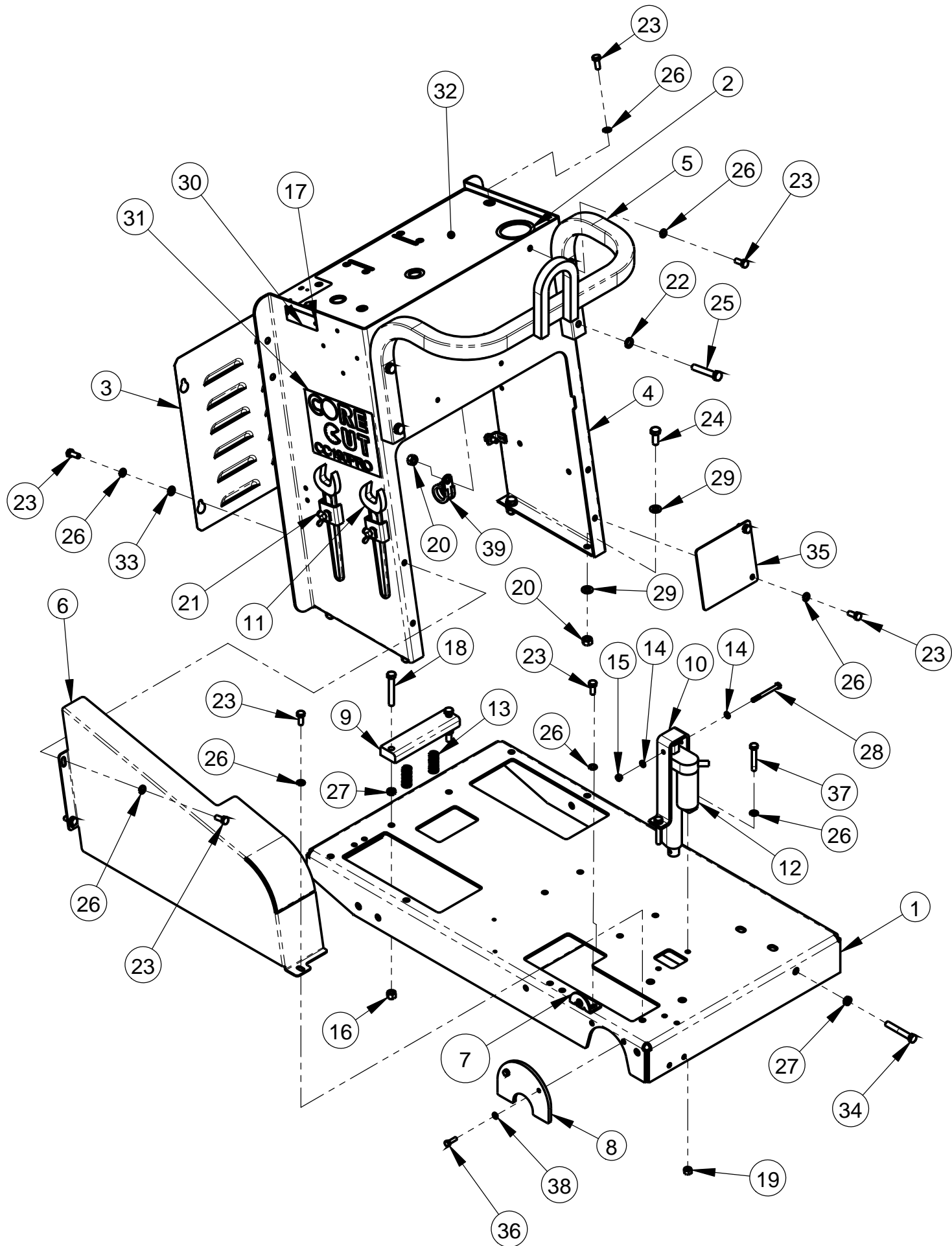
TABLE OF CONTENTS

<u>Description</u>	<u>Page No.</u>
Frame Assembly.....	4 - 5
Engine Assembly.....	6 – 7
Transmission Assembly.....	8 – 9
Spring Box Assembly.....	10 - 11
Carriage Assembly.....	12
Blade Shaft Assembly.....	13
Fuel Tank Assembly.....	14
Battery Assembly.....	15
Pointer Assembly.....	16 – 17
Wiring Diagram.....	18
Warranty.....	Rear Cover

Quick Reference Service Filters/ Belts

<u>DP Part No.</u>	<u>Description</u>	<u>Manufacturer's Part No.</u>
2501211	Air Filter for Honda (GX630)	(Donaldson #P821575)
2700348	Fuel Filter for Honda (GX630)	(Honda #17672-880-000)
2702741	Oil Filter for Honda (GX630)	(Honda #15400-PLM-AO1PE)
2503678	Blade Shaft Belt (3) for Honda (GX630)	(Gates #3VX390)
2501969	Transmission Belt for Honda (GX630)	(Gates AX41)

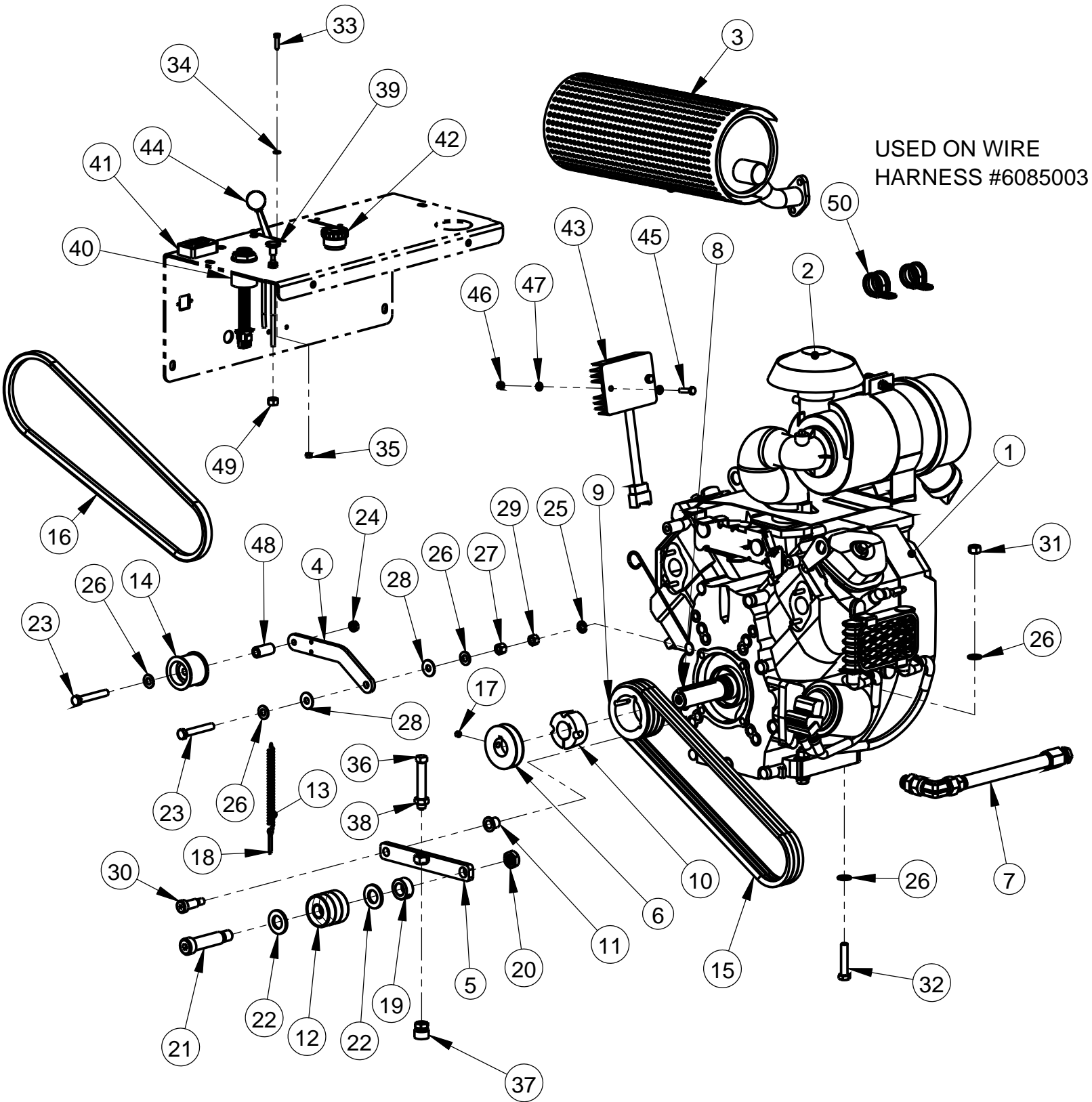
FRAME ASSEMBLY #6040393



FRAME ASSEMBLY #6040393

ITEM	PART NO.	QTY.	DESCRIPTION
1	6040768	1	Frame Weldment
2	6040779	1	Control Panel Weldment
3	6040638	1	Rear Cover Screen
4	6040696	1	Frame Upright Weldment
5	6040639	1	Lift Bar Weldment
6	6040759	1	Belt Guard
7	6010558	1	Mounting Tab 90 Deg.
8	6040780	1	Cover, Belt Access
9	6040670	1	Spring Block
10	6040777	1	Bracket, Actuator Mount
11	2500256	2	Wrench Head
12	2504740	1	Electric Actuator, 5" Stroke, 330 LBS
13	2504844	2	Spring, Comp. .68 X .085 X 1.50
14	2901494	2	Flat Washer, M6, DIN 125
15	2900302	1	Lock Nut, M6-1.0 Nylon Insert
16	2900018	2	Locknut, 3/8-16, Nylon
17	2900053	2	Rivet, 3/32" Dia.
18	2900596	2	Cap Screw, Hex Hd., 3/8-16 x 2-1/2"
19	2900303	2	Lock Nut, M8-1.25 Nylon Insert
20	2900304	5	Lock Nut, M10-1.5 Nylon Insert
21	2900307	2	Wing Screw, M6 x 16mm
22	2900321	4	Lock Washer, M10 Split
23	2900329	17	Cap Screw, Hex Hd., M8 x 20mm
24	2900333	4	Cap Screw, Hex Hd., M10-1.5 x 25mm
25	2900338	4	Cap Screw, Hex Hd., M10-1.5 x 60mm
26	2900763	19	Lock Washer, M8 Split
27	2900782	3	Jam Nut, 3/8-16
28	2903234	1	Cap Screw, Hex. Hd., M6-1.0 x 65mm
29	2901356	8	Flat Washer, M10
30	1800169	1	Serial Number Plate, US
31	1802580	1	CC190PRO Core Cut Decal
32	1802591	1	CC190PRO Label, Operating
33	2903233	4	Washer, M8
34	2900521	1	Tap Bolt, Hex Hd., 3/8-16 x 2-1/2"
35	6040767	1	Guard, Sprocket
36	2900310	2	Cap Screw, Hex Hd., M6 x 20mm
37	2907018	2	Cap Screw, Hex Hd., M8-1.25 x 50mm
38	2900765	2	Lock Washer, M6 Split
39	3201729	1	Hose Clamp, 1" x 3/4" Wide

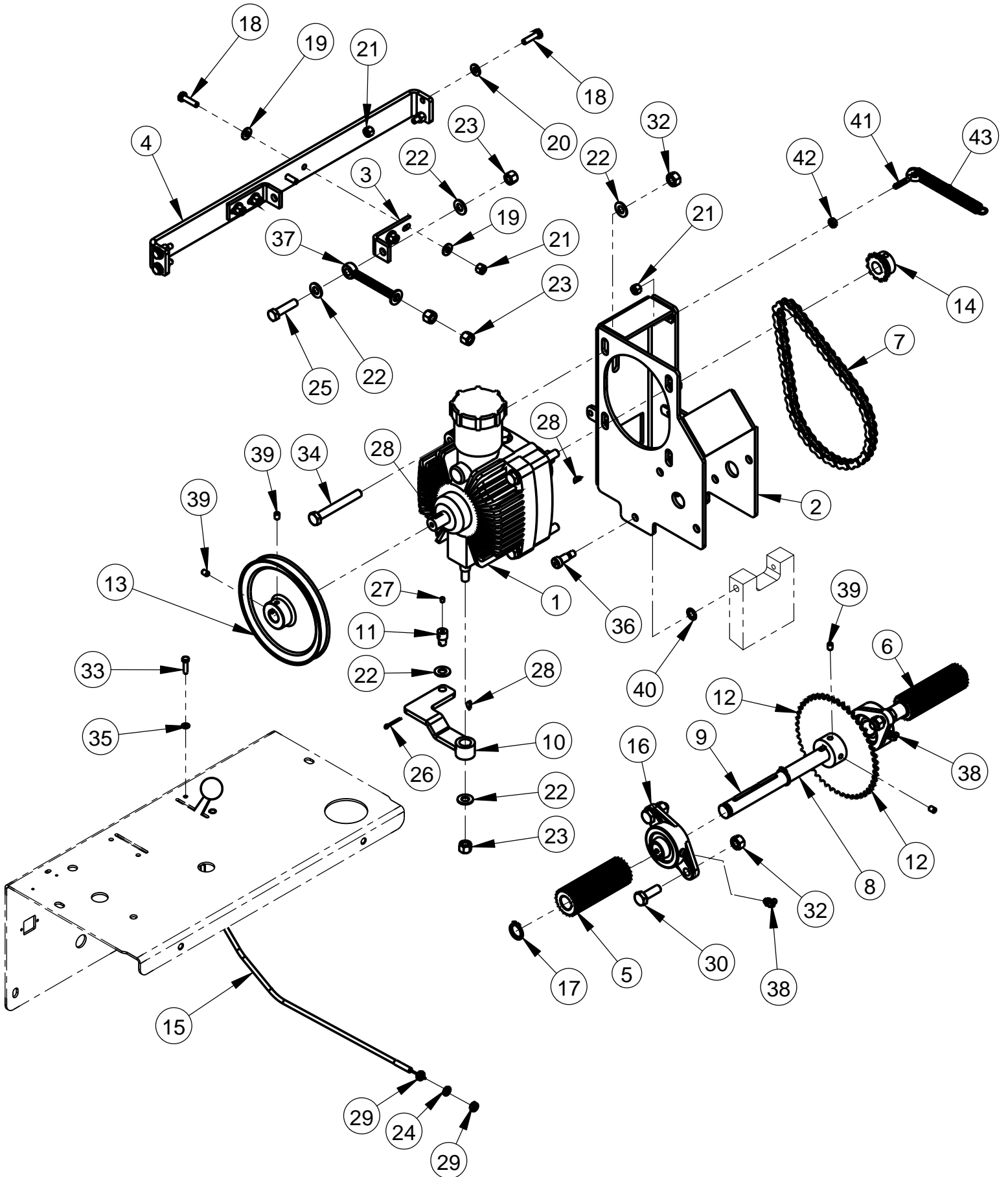
ENGINE ASSEMBLY #6040394



ENGINE ASSEMBLY # 6040394

ITEM	PART NO.	QTY.	DESCRIPTION
1	2600644	1	Engine, Honda (GX630)
2	2703556	1	Air Cleaner Assembly
3	2708046	1	Honda Muffler, R Side Exhaust
4	6040772	1	Idler Arm
5	6040758	1	Belt Tensioner Arm
6	6048195	1	Pulley, 1-1/8" Bore
7	6040760	1	Oil Drain Hose Assembly
8	6047977	1	Key, 1/4" Sq. x 3"
9	2500336	1	Sheave, 3.35-3 Groove
10	2500031	1	Taper Bushing, 1-1/8" W/ Set Screws
11	2500703	1	Bearing, 1/2" ID Flanged Bronze
12	2502716	3	Ball Bearing, 3/4 x 2 x 9/16 (1638-ZZ)
13	2500230	1	Spring, 3/8" x 5-1/2"
14	2504638	1	Idler Pulley, 2" Flat with 3/8" Bore
15	2503678	3	V-Belt, 3VX390
16	2501969	1	V-Belt, AX41
17	2900036	2	Set Screw, Soc. Hd., 5/16-18 x 1/4"
18	2900055	1	Cotter Pin, 3/16" x 1"
19	2400615	1	Set Collar, 3/4"
20	2900753	1	Jam Lock Nut, 5/8-11
21	2901979	1	Shoulder Screw. 3/4 x 2-1/2" (5/8-11)
22	2900003	2	Flat Washer, 3/4" SAE
23	2900521	2	Tap Bolt, Hex Hd., 3/8-16 x 2-1/2"
24	2900782	1	Jam Nut, 3/8-16
25	2900006	1	Lock Washer, 3/8" Split
26	2900014	11	Flat Washer, 3/8" SAE
27	2900018	1	Locknut, 3/8-16, Nylon
28	2900153	2	Friction Washer, 3/8"
29	2900033	1	Hex Nut, 3/8-16
30	2900587	1	Shoulder Screw, 1/2" x 1" (3/8-16)
31	2900304	4	Lock Nut, M10-1.5 Nylon Insert
32	2900318	4	Cap Screw, Hex Hd., M10-1.5 x 50mm
33	2900309	2	Cap Screw, Hex Hd., M5 x 20mm
34	2900926	2	Flat Washer, M5
35	2900301	2	Lock Nut, M5-0.8 Nylon Insert
36	2902005	1	Set Screw, Sq. Hd., 1/2-13 x 3"
37	2900722	1	Swivel Pad, 1/2-13
38	2900129	1	Jam Nut, 1/2-13
39	2500377	1	Choke Cable
40	6049057	1	Honda Ignition Switch Assembly
41	2801502	1	Tach/Hour Meter, W/#6 Screws
42	2801367	1	E-Stop Switch
43	2701670	1	Rectifier Assembly
44	2500810	1	Throttle Control, 36"
45	2900311	2	Cap Screw, Hex Hd., M6-1.0 x 25mm
46	2900302	2	Lock Nut, M6-1.0 Nylon Insert
47	2901494	4	Flat Washer, M6, DIN 125
48	4647121	1	Spacer, Adjustable Roller
49	2900148	1	Hex Nut, 3/8-24
50	3201729	2	Hose Clamp, 1" x 3/4" Wide
51	6085003	1	Wire Harness (Not Shown)

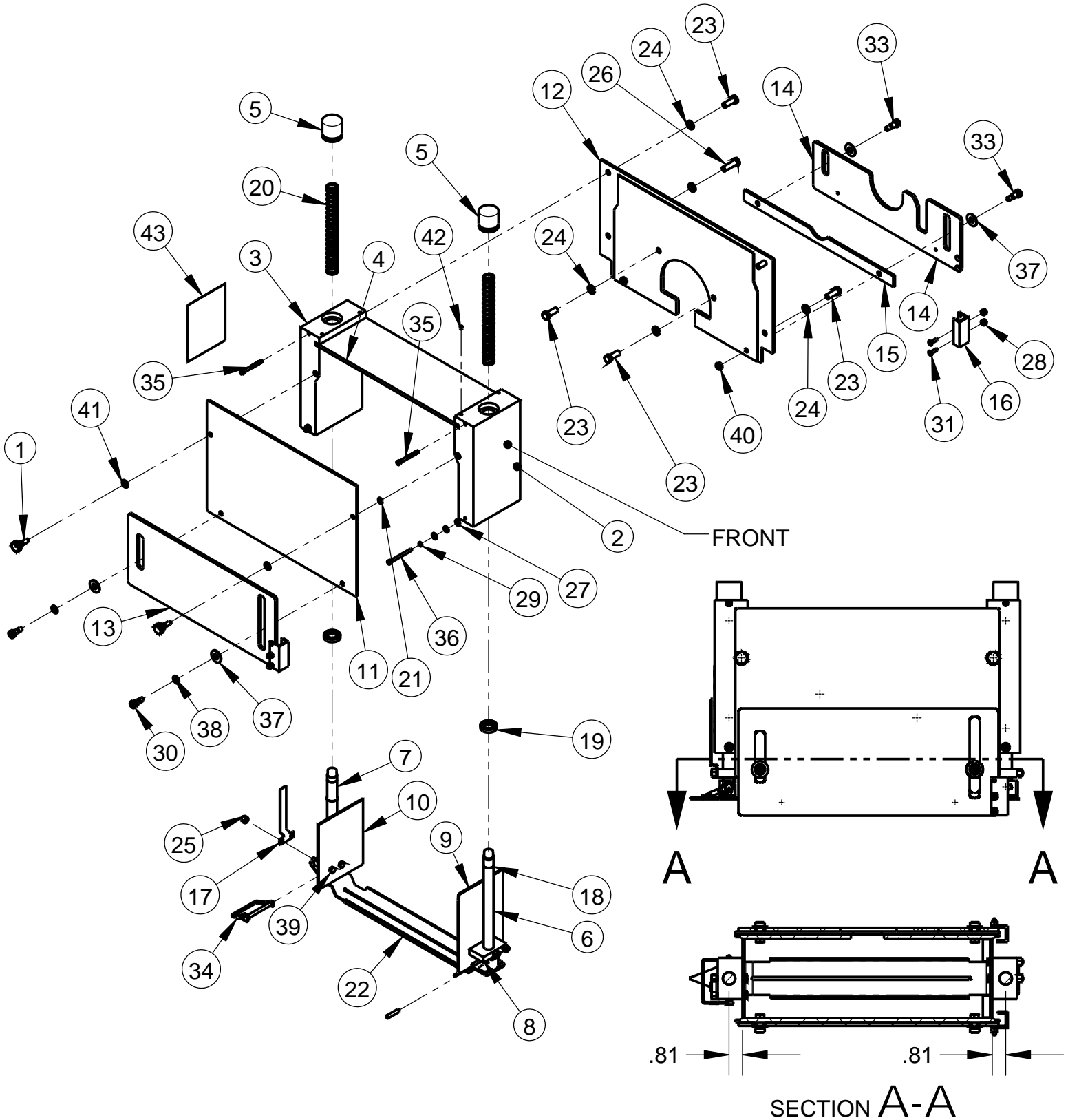
TRANSMISSION ASSEMBLY# 6040383



TRANSMISSION ASSEMBLY# 6040383

ITEM	PART NO.	QTY.	DESCRIPTION
1	2600015	1	Eaton 6 Transmission
2	6040765	1	Hydrostatic Pump Frame
3	6040673	2	Bracket, Pump
4	6040672	1	Upright Brace
5	6040674	1	Sprocket, 20T 1.50 OD
6	6040675	1	Sprocket, 20T 1.38 OD
7	6048232	1	Chain, #35 x 63 Pitch
8	6040668	1	Drive Shaft
9	6048229	5	Key, 3/16" Sq. x 1-1/4"
10	6040763	1	Shift Lever
11	6048212	1	Pivot Pin
12	2500018	1	Sprocket, 48 Teeth w/ Setscrews
13	2500016	1	Pulley, 6"
14	2500017	1	Sprocket, 12 Teeth
15	2500076	1	Transmission Speed Control
16	2500011	2	Flg Mnt Brg 3/4" Peer UCFT204-12-90
17	2504805	4	Retaining Ring, .75 Ext. Heavy Duty
18	2900008	8	Cap Screw, Hex Hd., 1/4-20 x 1"
19	2900009	8	Flat Washer, 1/4" SAE
20	2900009	4	Flat Washer, 1/4" SAE
21	2900010	9	Lock Nut, 1/4-20 Nylon
22	2900014	9	Flat Washer, 3/8" SAE
23	2900018	4	Locknut, 3/8-16, Nylon
24	2900024	1	Lock Washer, 1/4" Split
25	2900029	1	Cap Screw, Hex Hd., 3/8-16 x 1-1/2"
26	2900034	1	Cotter Pin, 3/32" x 3/4"
27	2900059	1	Set Screw, Soc. Hd., #10-32 x 1/4"
28	2900068	3	Woodruff Key #404, 1/8" W x 1/2" Dia.
29	2900186	2	Jam Nut, 1/4-28
30	2900223	4	Cap Screw, Hex Hd., M10-1.5 x 30mm
31	2900301	2	Lock Nut, M5-0.8 Nylon Insert
32	2900304	8	Lock Nut, M10-1.5 Nylon Insert
33	2900309	2	Cap Screw, Hex Hd., M5 x 20mm
34	2900319	4	Cap Screw, Hex Hd., M10-1.5 x 80mm
35	2900926	2	Flat Washer, M5
36	2900936	2	Shoulder Screw, 3/8" x 5/8" (5/16-18)
37	2901981	1	Eyebolt, 3/8-16 x 3-1/2"
38	2900184	2	Grease Fitting, 1/4" NPT x 45 degree
39	2900101	4	Set Screw, Soc. Hd., 1/4-20 x 3/8"
40	2901881	2	Flat Washer, 3/8" Shim
41	2900548	1	Eyebolt, 1/4-20 x 1"
42	2900358	1	Jam Nut, 1/4-20
43	2503651	1	Spring, .57 x .08 x 5-5/8"L Ext.

SPRING BOX ASSEMBLY 14" #6040395



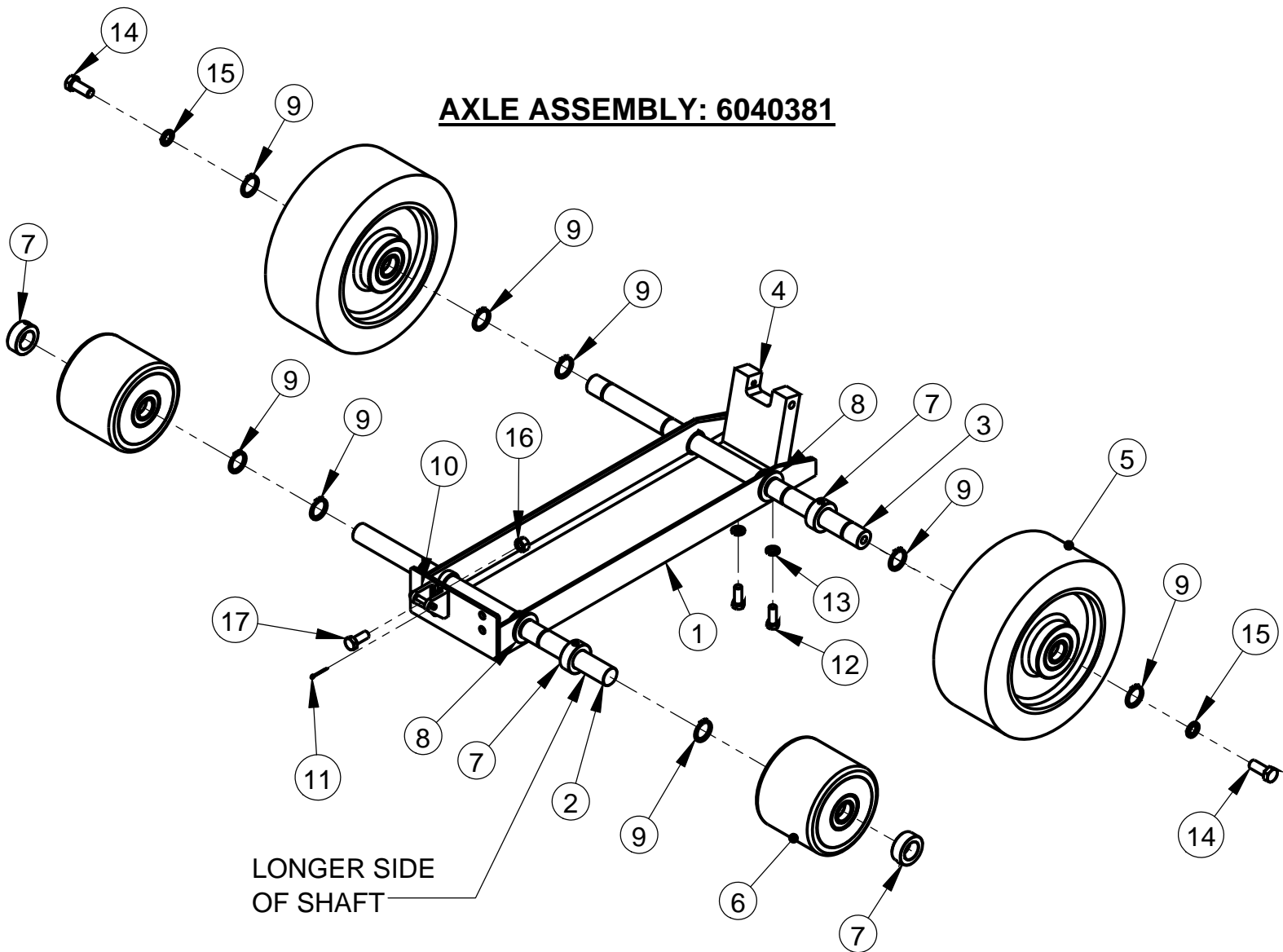
Assembly Note:

1. Apply 2502046 synthetic grease to OD of compression springs.

SPRING BOX ASSEMBLY 14" #6040395

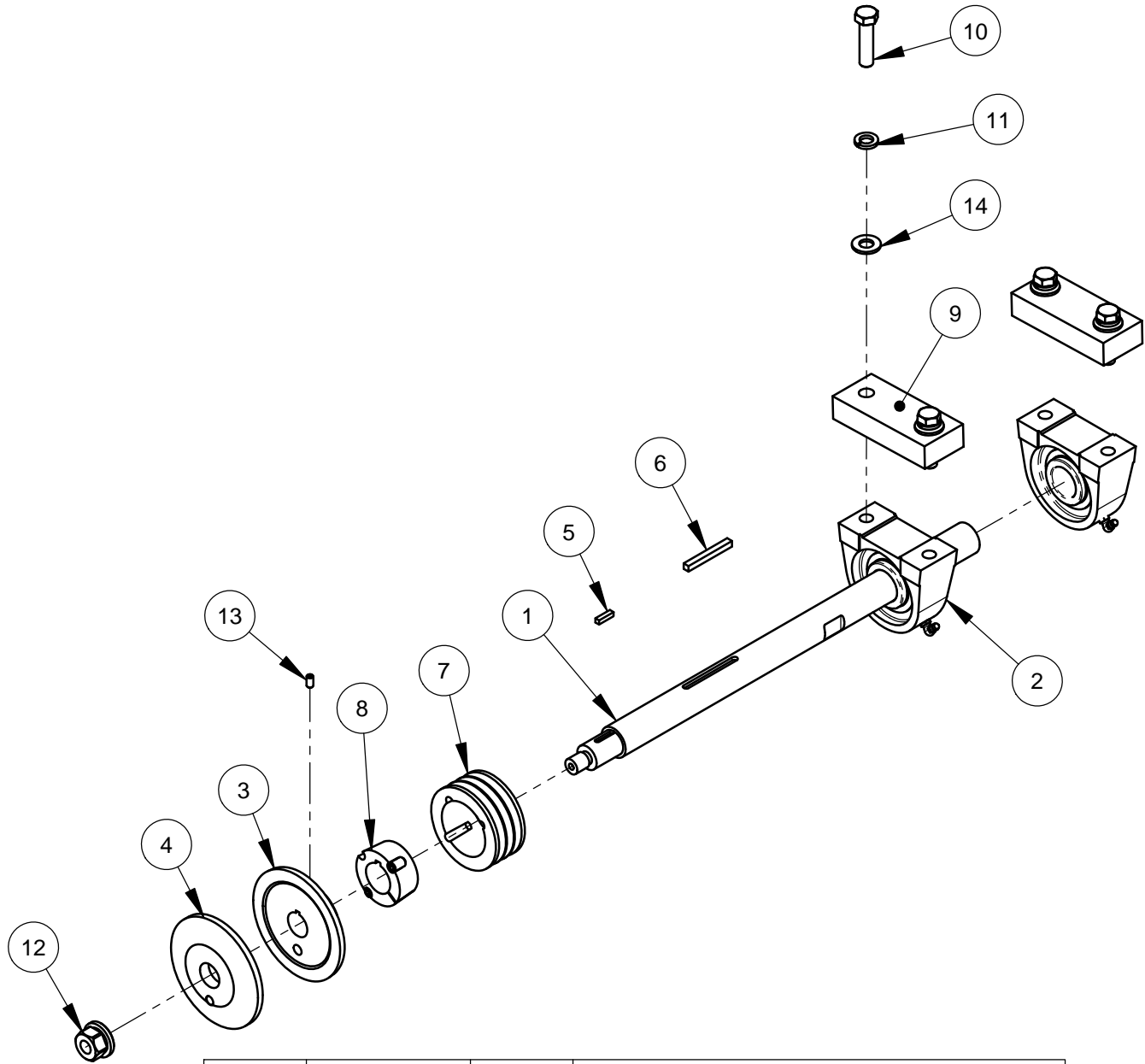
ITEM	PART NO.	QTY.	DESCRIPTION
1	6040385	2	Captive Thumb Screw, 5/16-18
2	6040677	1	Spring Block. Front 14"
3	6040678	1	Spring Block, Rear 14"
4	6040679	1	Cover, Top
5	6040680	2	Cap, Spring Block
6	6040770	1	Shaft, Spring Block Front
7	6040771	1	Shaft, Spring Block Rear
8	6040683	2	Collar, Dust Diverter
9	6040769	1	Diverter, Front Dust
10	6040685	1	Diverter, Rear Dust
11	6040686	1	Cover, Front Spring Box
12	6040687	1	Cover, Rear Spring Box
13	6040688	1	Shield, Front Spring Box
14	6040689	1	Shield, Rear Spring Box
15	6040690	1	Spacer, Rear Shield
16	6040691	2	Channel, Rear Shield
17	6040693	1	Depth Guide
18	2504630	2	Retaining Ring, 3/4 Ext. Spiral
19	2504631	2	Shaft Seal, 3/4" Shaft
20	2504636	2	Comp. Spring, .866 X .079 X 7.874L
21	2504645	2	Retaining Ring, 5/16 Ext.
22	2505239	1	14" TRUE SKID PLATE ASSY.
23	2900005	5	Cap Screw, Hex Hd., 3/8-16 x 1"
24	2900006	6	Lock Washer, 3/8" Split
25	2900010	4	Lock Nut, 1/4-20 Nylon
26	2900013	1	Cap Screw, Hex Hd., 3/8-16 x 1-1/4"
27	2900016	6	Flat Washer, #10 USS
28	2900017	4	Lock Nut, #10-24 Nylon
29	2900038	2	Lock Washer, #10 Split
30	2900253	2	Shoulder Screw, 3/8 x 3/8" (5/16-18)
31	2900469	4	Cap Screw, Flat Hd., #10-24 X 3/4"
32	2900577	1	Pin, Dowel 1/4 x 1-1/4"
33	2900672	2	Shoulder Screw, 3/8" x 1/2" (5/16-18)
34	2901589	1	Pin, Safety 1/4"
35	2901596	2	Cap Screw, Soc. Hd., #10-32 x 2"
36	2901877	2	Cap Screw, Soc. Hd., #10-32 x 2-1/4"
37	2902001	4	Flat Washer, 3/8" PVC
38	2901881	2	Flat Washer, 3/8" Shim
39	2901882	4	Tap Bolt, Hex Hd., 1/4-20 x 2"
40	2901884	4	Jam Locknut, 5/16-18" Nylon
41	2901963	2	Washer, Belleville 5/16"
42	2900059	4	Set Screw, Soc. Hd., #10-32 x 1/4"
43	1802578	1	Decal, Blade Depth CC190PRO
44	2502046	AR	Grease, Fuchs Synthetic
45	2504745	1	Cable Tie, Nylon 48" Long

AXLE ASSEMBLY: 6040381



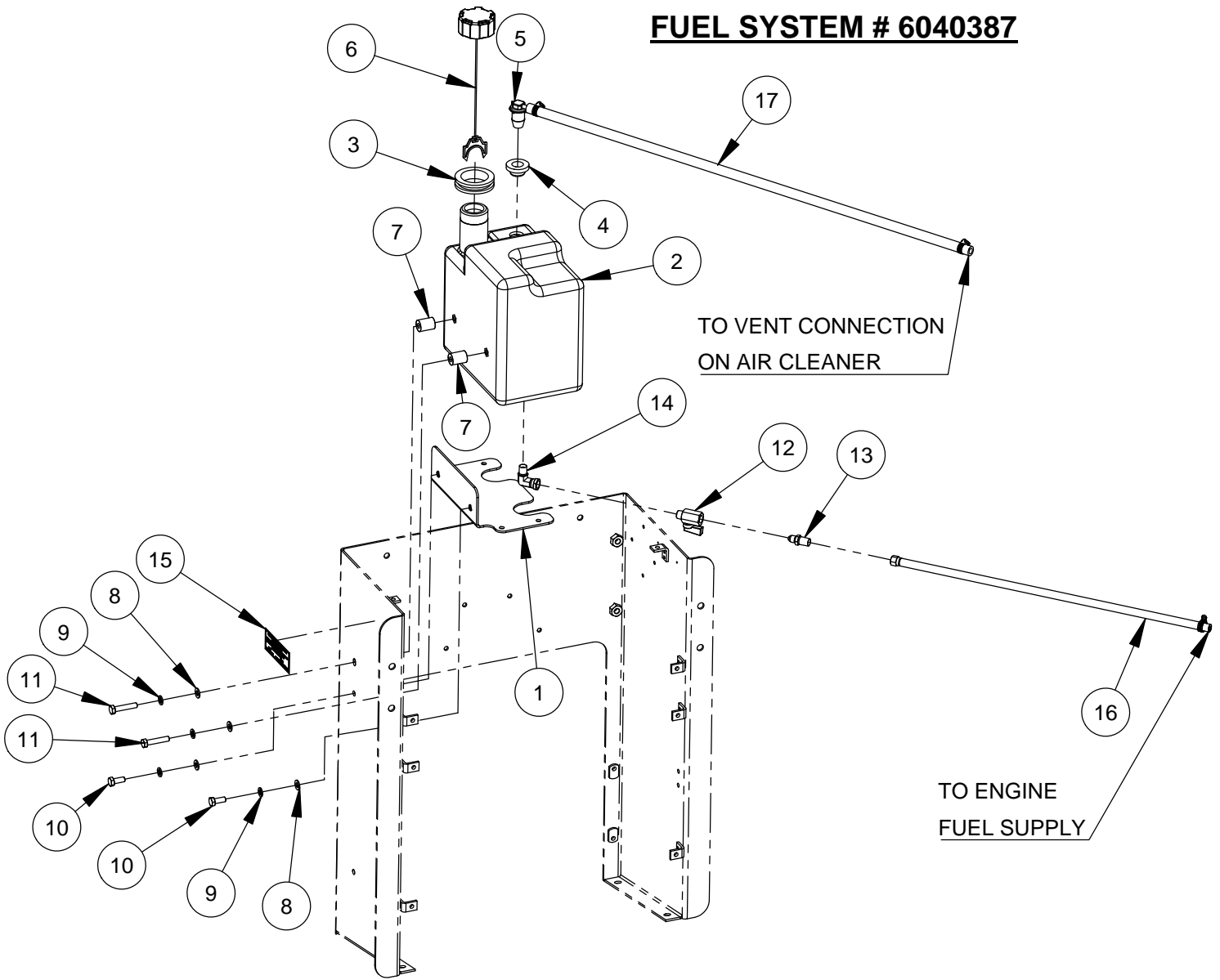
ITEM	PART NO.	QTY.	DESCRIPTION
1	6040665	1	Axle Weldment
2	6040666	1	Front Axle
3	6040623	1	Rear Axle
4	6040669	1	Pump Supprt
5	2503643	2	Wheel, 10 x 4 x 1" Poly
6	2503642	2	Wheel, 5 x 4 x 1"
7	2500009	4	Set Collar, 1" ID
8	2503647	4	Bearing, Flanged Bronze 1" ID
9	2504810	8	Retaining Ring, 1" Ext. Heavy Duty
10	2901249	1	CLEVIS, ACTUATOR
11	2900599	1	Cotter Pin, 1/16" x 3/4"
12	2900005	2	Cap Screw, Hex Hd., 3/8-16 x 1"
13	2900006	2	Lock Washer, 3/8" Split
14	2900330	2	Cap Screw, Hex Hd., M8 x 30mm
15	2900699	2	Lock Washer, M12 Split
16	2900304	2	Lock Nut, M10-1.5 Nylon Insert
17	2900333	2	Cap Screw, Hex Hd., M10-1.5 x 25mm

BLADE SHAFT ASSEMBLY: 6040396



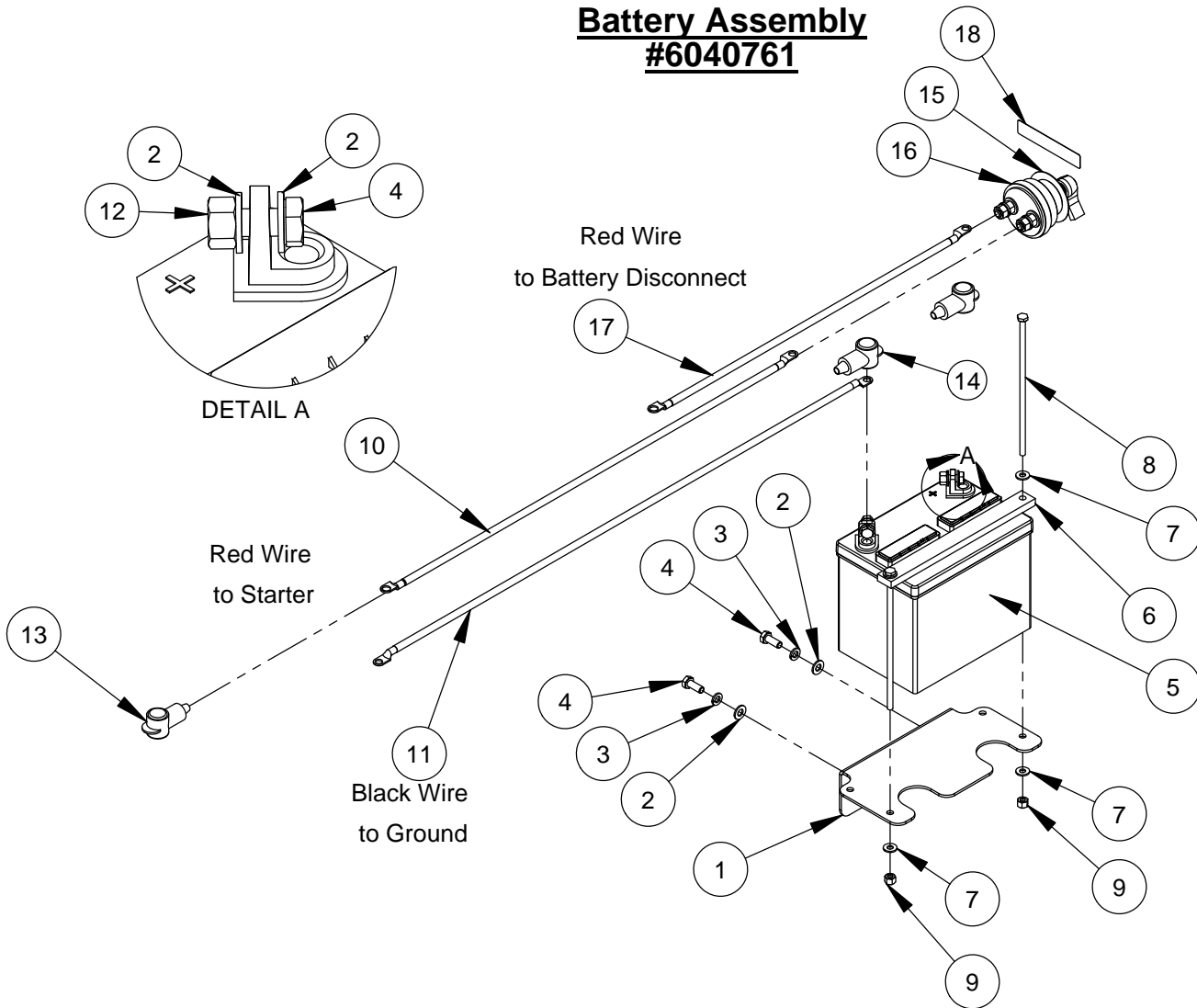
ITEM	PART NO.	QTY.	DESCRIPTION
1	6040747	1	Blade Shaft
2	2500158	2	Pillow Block Bearing 1-1/4"
3	6048008	1	Inner Flange 4-1/2"
4	6048009	1	Outer Flange, 4-1/2" w/ Pin
5	6048018	1	Key, 3/16" Sq. x 3/4"
6	6048134	1	Key, 1/4" Sq. x 2-1/4"
7	2500336	1	Sheave, 3.35-3 Groove
8	2500337	1	Taper Bushing, 1-1/4" w/ Set Screws
9	6013010	2	Front Axle Bearing Spacer 1"
10	2900106	4	Cap Screw, Hex Hd., 1/2-13 x 2"
11	2900084	4	Lock Washer, 1/2" Split
12	2900065	1	Flange Nut, 5/8-11 R.H.
13	2900076	1	Set Screw, Soc. Hd., 1/4-20 x 1/2"
14	2900058	4	Flat Washer, 1/2" SAE

FUEL SYSTEM # 6040387



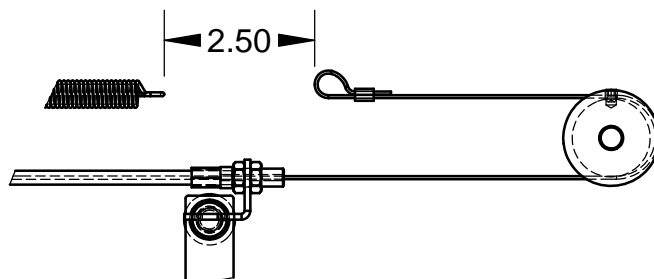
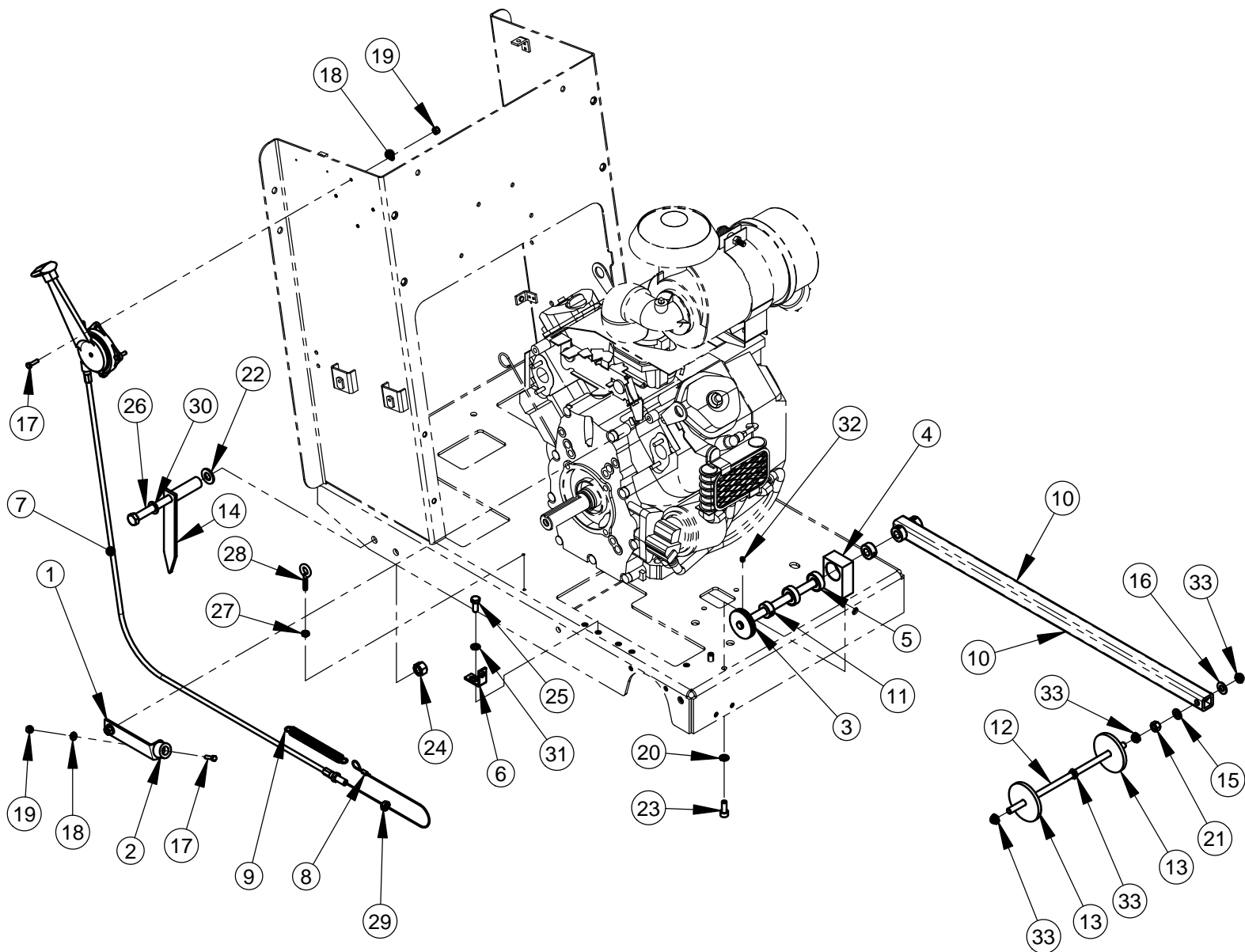
ITEM	PART NO.	QTY.	DESCRIPTION
1	6048327	1	Bracket
2	6010849	1	Fuel Tank, 1.5 Gallon
3	2500623	1	Fuel Tank Grommet
4	2506716	1	Grommet
5	2502484	1	Roll Over Vent, 1/4" Hose Barb
6	2506718	1	Fuel Tank Cap, 1-3/4"
7	2900797	2	Standoff, 3/4 x 1"
8	2901336	4	Flat Washer, M8
9	2900763	4	Lock Washer, M8 Split
10	2900329	2	Cap Screw, Hex Hd., M8-1.25 x 20mm
11	2900792	2	Cap Screw, Hex Hd., M8-1.25 x 40mm
12	3200108	1	Ball Valve, 1/4" NPT
13	3200418	1	Adapter, 1/4" M. Pipe to 1/4" M. JIC
14	3200059	1	Elbow, 1/4" M. to 1/4" F. Pipe Swivel
15	1801716	1	Decal, EPA EVAP Standard
16	6040390	1	Hose Assy., Fuel, 1/4 x 22.1"
17	6040391	1	Vent Hose Assy., 3/8 x 34"

Battery Assembly #6040761



ITEM NO.	PART NO.	QTY.	DESCRIPTION
1	6048327	1	Bracket
2	2900022	6	Flat Washer, 5/16" SAE
3	2900031	2	Lock Washer, 5/16" Split
4	2900329	4	Cap Screw, Hex Hd., M8 x 20mm
5	2500584	1	Battery, 12 Volt Group Size U1
6	4646122	1	BatterySupport
7	2900009	4	Flat Washer, 1/4" SAE
8	2901405	2	Cap Screw, Hex Hd., 1/4-20 x 7-1/2"
9	2900010	2	Lock Nut, 1/4-20 Nylon
10	6047717	1	Battery Cable, Red 26"
11	6048092	1	Battery Cable Assy., Black
12	2900303	2	Lock Nut, M8-1.25 Nylon Insert
13	2800197	2	Battery Boot, Small (Red)
14	2800198	1	Battery Boot, Small (Black)
15	2800566	1	Face Plate, Battery Disconnect
16	2800565	1	Battery Disconnect Switch
17	6047718	1	Battery Cable, Red 20"
18	1800846	1	Label, Battery Disconnect

POINTER ASSEMBLY: 6040388

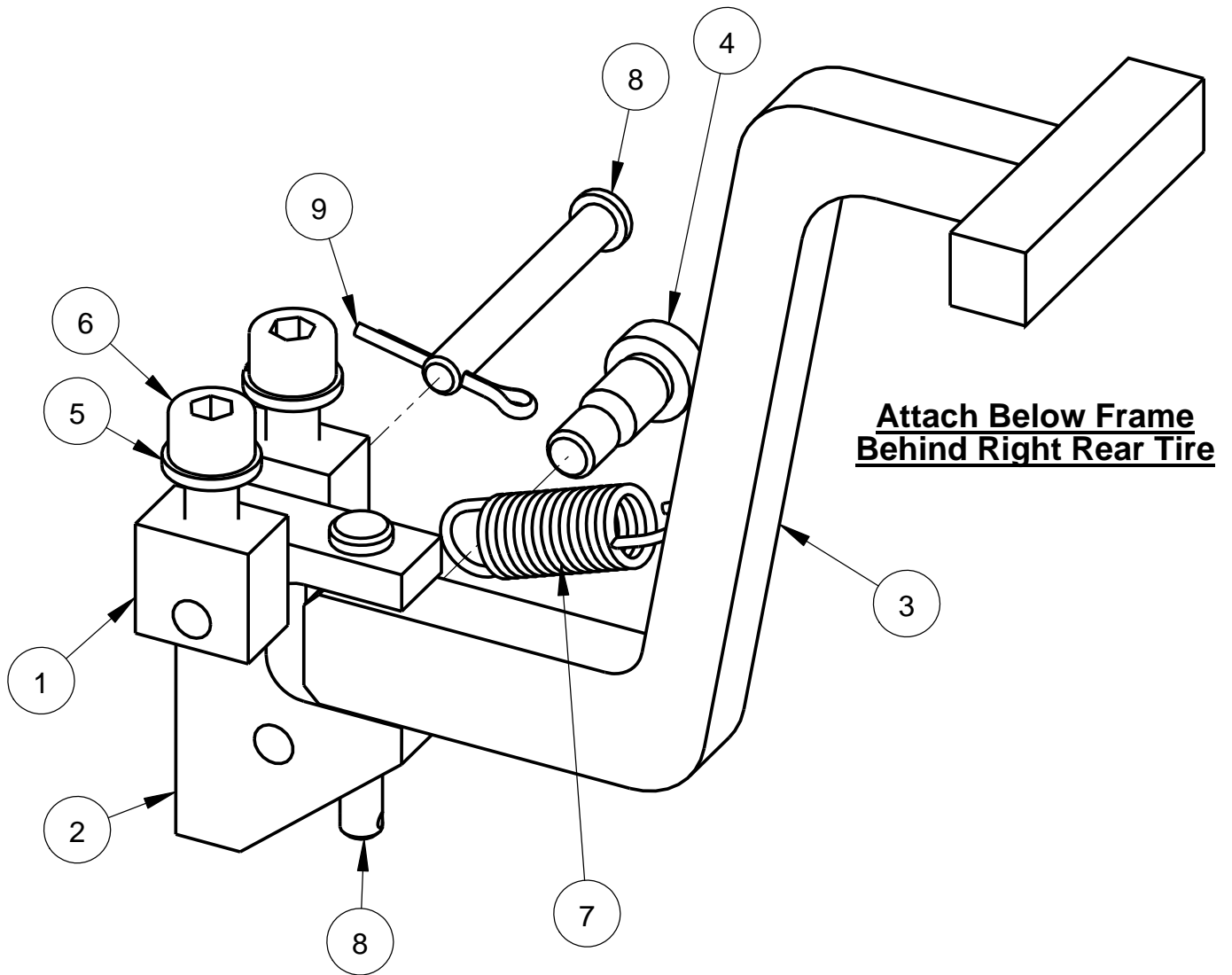


TO PRELOAD SPRING: ATTACH COMPRESSION SLEEVE SO THAT LOOP IS 2.50" FROM END OF SPRING

POINTER ASSEMBLY: 6040388

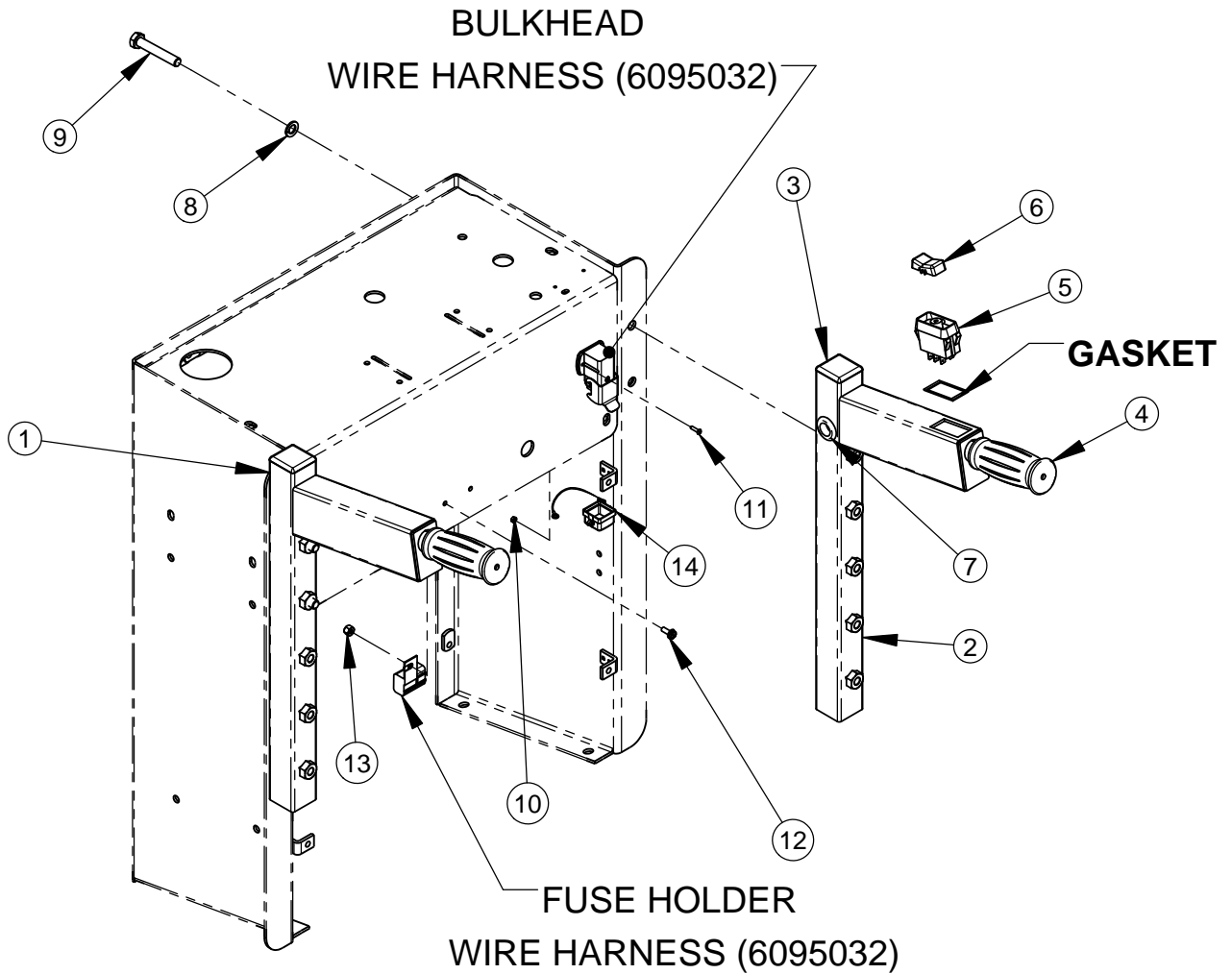
ITEM	PART NO.	Default/QTY.	DESCRIPTION
1	6040386	1	Pointer Stop
2	2503699	1	Bumper, 1" Dia. x 5/8" Thick
3	6030297	1	Shaft, Pointer
4	6030349	1	Bearing Mount
5	2503618	2	Ball Bearing, 1/2" x 32mm x 10mm
6	6030321	1	Cable Mount
7	2503616	1	Control Lever and Cable
8	2503652	1	Compression Sleeve (Oval)
9	2503651	1	Spring, .57 x .08 x 5-5/8"L Ext.
10	6040783	1	Pointer Weldment
11	2500007	2	Set Collar, 1/2" with Set Screw
12	6011653	1	Rod, 3/8-16 x 10-3/4" (Aluminum)
13	6041086	2	Guide Wheel
14	6040776	1	Rear Pointer
15	2900006	1	Lock Washer, 3/8" Split
16	2900014	1	Flat Washer, 3/8" SAE
17	2900015	5	Machine Screw, Hex Hd., #10-24 x 3/4"
18	2900016	5	Flat Washer, #10 USS
19	2900017	5	Lock Nut, #10-24 Nylon
20	2900031	2	Lock Washer, 5/16" Split
21	2900033	1	Hex Nut, 3/8-16
22	2900058	1	Flat Washer, 1/2" SAE
23	2900243	2	Cap Screw, Soc. Hd., M8 x 1.25 x 20
24	2900327	1	Lock Nut, M12-1.75 Nylon Insert
25	2900329	1	Cap Screw, Hex Hd., M8 x 20mm
26	2900347	1	Cap Screw, Hex Hd., M12-1.75 x 100mm
27	2900358	1	Jam Nut, 1/4-20
28	2900548	1	Eyebolt, 1/4-20 x 1"
29	2900696	2	Jam Nut, 3/8-24
30	2900699	1	Lock Washer, M12 Split
31	2900763	1	Lock Washer, M8 Split
32	2902089	1	Set Screw, Soc. Hd., 1/4-28 x 1/4" (Flat Pt.)
33	2903246	4	Jam Lock Nut, 3/8-16

PARKING BRAKE ASSEMBLY # 6043511



ITEM	PART NO.	QTY.	DESCRIPTION
1	6048868	2	Clevis Plate
2	6048867	1	Plate, Brake Pivot
3	6048869	1	Brake Pedel Weldment
4	2900672	1	Shoulder Screw, 3/8" x 1/2" (5/16-18)
5	2900031	2	Lock Washer, 5/16" Split
6	2900243	2	Cap Screw, Soc. Hd., M8 x 1.25 x 20mm
7	2500068	1	Spring, .063 x .50 x 1.75
8	2901404	2	1/4 x 2.0" Clevis Pin
9	2900034	1	Cotter Pin, 3/32" x 3/4"

ROCKER SWITCH/HANDLEBAR ASSEMBLY #6040790



ITEM	PART NO.	QTY.	DESCRIPTION
1	6040784	1	Handlebar, Right Side
2	6040785	1	Handlebar, Left Side
3	2503925	2	Cap, 1-1/4" Sq. Tube
4	2500636	2	Handle Grip
5	2801517	1	Rocker Body NGR20051B
6	2801518	1	Rocker Switch Actuator
7	2508013	1	Grommet, 5/8" I.D.
8	2900321	4	Lock Washer, M10 Split
9	2900338	4	Cap Screw, Hex Hd., M10-1.5 x 60mm
10	2902220	2	Lock Nut, M3-0.5 Nylon Insert
11	2902093	2	Cap Screw, Button Hd., M3-0.5 x 12mm
12	2901412	1	Machine Screw, Hex Flange Hd., #10-24 x 1/2"
13	2900017	1	Lock Nut, #10-24 Nylon
14	2801513	1	Bulkhead Cover
15	6095031	1	Rocker Switch Harness
16	6095032	1	Bulk Head Harness

EQUIPMENT AND PARTS WARRANTY

Diamond Products warrants all equipment manufactured by it against defects in workmanship or materials for a period of one (1) year from the date of shipment to Customer.

The responsibility of Diamond Products under this Warranty is limited to replacement or repair of defective parts at Diamond Products' Elyria, Ohio factory, or at a point designated by it, of such parts as shall appear to us upon inspection at such parts, to have been defective in material or workmanship, with expense for transportation and labor borne by Customer.

In no event shall Diamond Products be liable for consequential or incidental damages arising out of the failure of any Product to operate properly.

Integral units such as engines, electric motors, batteries, transmissions, etc., are excluded from this Warranty and are subject to the prime manufacturer's warranty.

THIS WARRANTY IS IN LIEU OF ALL OTHER WARRANTIES, EXPRESSED OR IMPLIED, AND ALL SUCH OTHER WARRANTIES ARE HEREBY DISCLAIMED.



333 Prospect Street, Elyria, Ohio 44035
(440) 323-4616 • (800) 321-5336 • Fax (440) 323-8689
www.diamondproducts.com