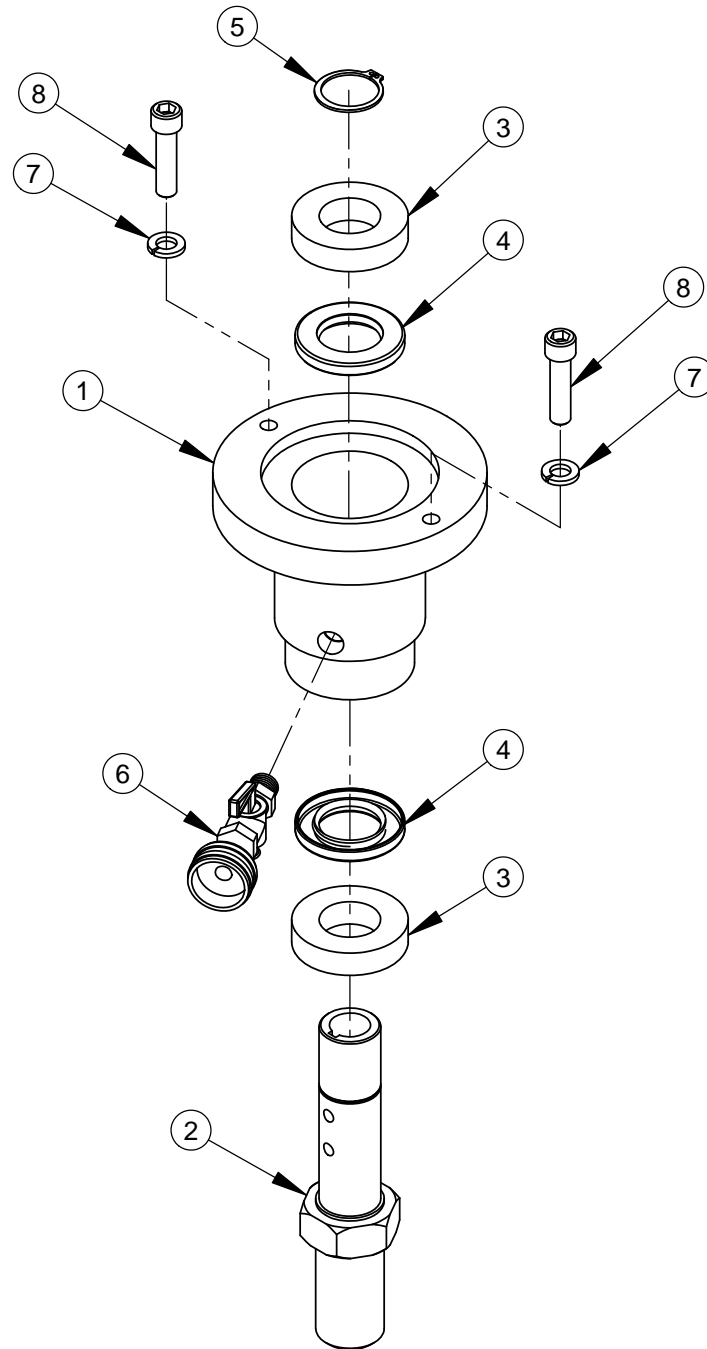


M-4 Hydraulic Pillow Block Assembly #4600039



ITEM	PART NO.	QTY.	DESCRIPTION
1	4600038	1	Hydraulic Pillow Block, M-4
2	4600037	1	HYDRAULIC SPINDLE SHAFT
3	2400135	2	Bearing
4	3200004	2	Seal, 1-1/8" x 2" x 1/4"
5	2400134	1	Retaining Ring, External 1-1/8"
6	4699921	1	Water Petcock with Hose Fitting
7	2900006	2	Lock Washer, 3/8" Split
8	2900357	2	Cap Screw, Soc. Hd., 3/8-16 x 1-1/2"