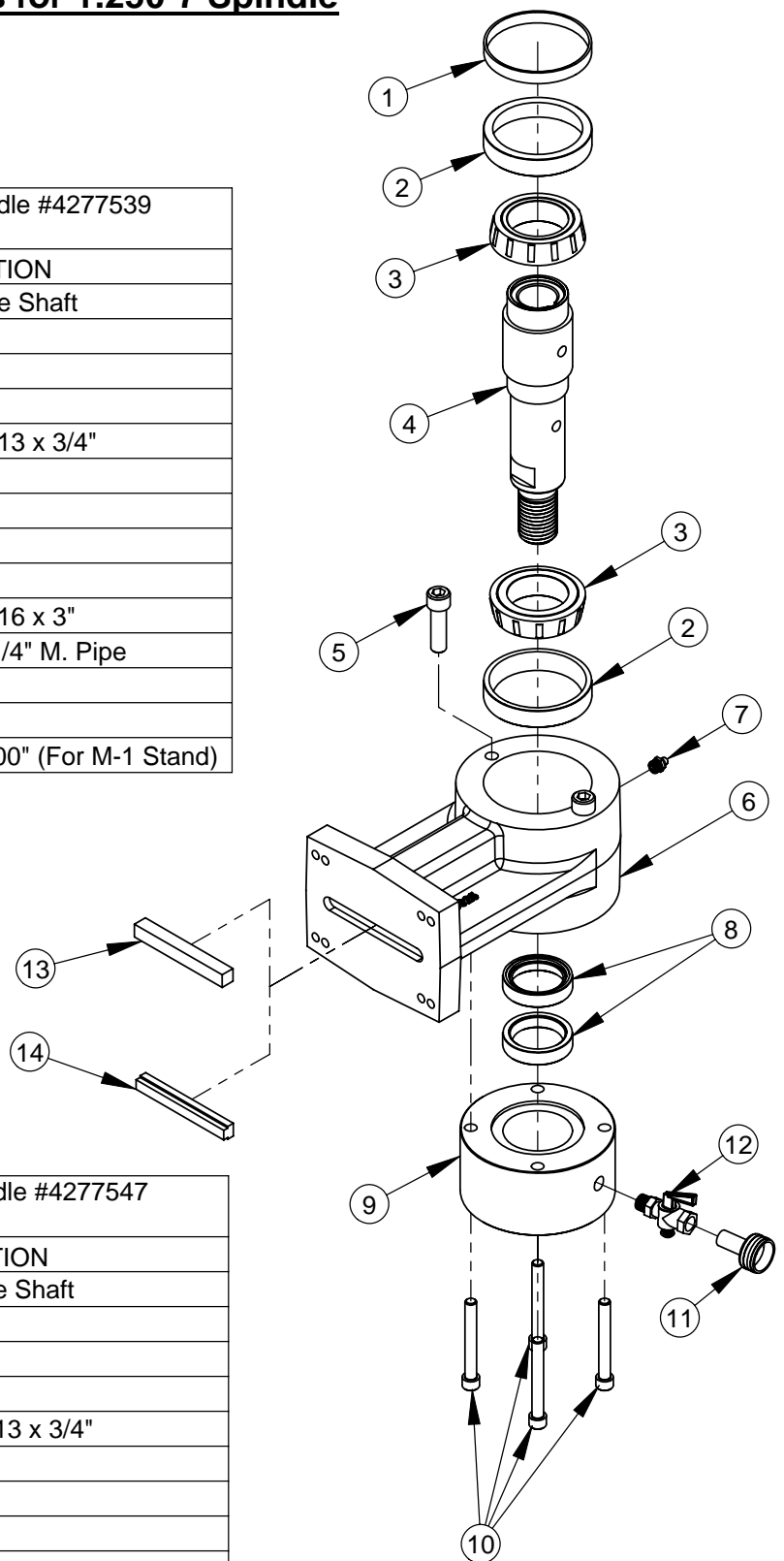


Hydraulic Pillow Block Assemblies for 1.250-7 Spindle

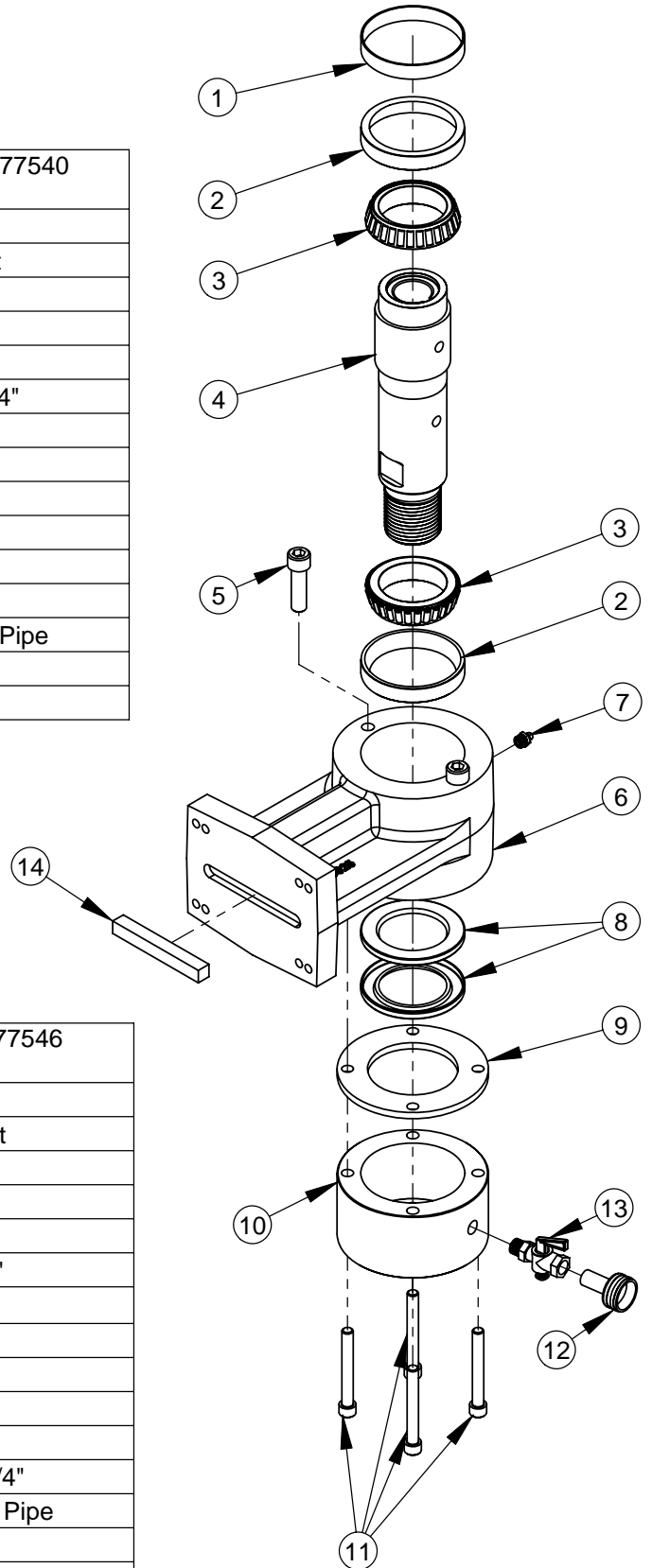
Hydraulic Pillow Block Assembly for 1.250-7 Spindle #4277539 (Char-Lynn Motor)			
ITEM	PART NO.	QTY.	DESCRIPTION
1	4699901	1	Shim For Hydraulic Spindle Shaft
2	2400014	2	Bearing Race
3	2400013	2	Tapered Bearing
4	4699905	1	Spindle Shaft 1.250-7
5	2900119	2	Cap Screw, Soc. Hd., 1/2-13 x 3/4"
6	4699910	1	Hydraulic Pillow Block
7	2900062	1	Grease Fitting, 1/8" NPT
8	2700021	2	Trostel Seal
9	4699920	1	Water Housing
10	2900120	4	Cap Screw, Soc. Hd., 3/8-16 x 3"
11	3200042	1	Fitting, 3/4" F. Garden to 1/4" M. Pipe
12	3200034	1	Petcock, 1/4" MPT - FPT
13	4641010	1	Key, 1/2" Sq. x 4" Long
14	4699922	1	Step Key, 1/2" to 3/8" x 4.00" (For M-1 Stand)



Hydraulic Pillow Block Assembly for 1.250-7 Spindle #4277547 (White Motor)			
ITEM	PART NO.	QTY.	DESCRIPTION
1	4699977	1	Shim For Hydraulic Spindle Shaft
2	2400014	2	Bearing Race
3	2400013	2	Tapered Bearing
4	4699905	1	Spindle Shaft 1.250-7
5	2900119	2	Cap Screw, Soc. Hd., 1/2-13 x 3/4"
6	4699910	1	Hydraulic Pillow Block
7	2900062	1	Grease Fitting, 1/8" NPT
8	2700021	2	Trostel Seal
9	4699920	1	Water Housing
10	2900120	4	Cap Screw, Soc. Hd., 3/8-16 x 3"
11	3200042	1	Fitting, 3/4" F. Garden to 1/4" M. Pipe
12	3200034	1	Petcock, 1/4" MPT - FPT
13	4641010	1	Key, 1/2" Sq. x 4" Long
14	4699922	1	Step Key, 1/2" to 3/8" x 4.00" (For M-1 Stand)

Hydraulic Pillow Block Assemblies for 1.875-7 Spindle

Hydraulic Pillow Block Assembly for 1.875-7 Spindle #4277540 (Char-Lynn Motor)			
ITEM	PART NO.	QTY.	DESCRIPTION
1	4699978	1	Shim For Hydraulic Spindle Shaft
2	2400068	2	Bearing Race
3	2400066	2	Tapered Bearing
4	4699906	1	Spindle Shaft 1.875-7
5	2900119	2	Cap Screw, Soc. Hd., 1/2-13 x 3/4"
6	4699909	1	Hydraulic Pillow Block
7	2900062	1	Grease Fitting, 1/8" NPT
8	2400067	2	Seal
9	4699902	1	Loading Plate
10	4699919	1	Water Housing
11	2900120	4	Cap Screw, Soc. Hd., 3/8-16 x 3"
12	3200042	1	Fitting, 3/4" F. Garden to 1/4" M. Pipe
13	3200034	1	Petcock, 1/4" MPT - FPT
14	4641010	1	Key, 1/2" Sq. x 4" Long



Hydraulic Pillow Block Assembly for 1.875 Spindle #4277546 (White Motor)			
ITEM	PART NO.	QTY.	DESCRIPTION
1	4699979	1	Shim For Hydraulic Spindle Shaft
2	2400068	2	Bearing Race
3	2400066	2	Tapered Bearing
4	4699906	1	Spindle Shaft 1.875-7
5	2900120	4	Cap Screw, Soc. Hd., 3/8-16 x 3"
6	4699909	1	Hydraulic Pillow Block
7	2900062	1	Grease Fitting, 1/8" NPT
8	2400067	2	Seal
9	4699902	1	Loading Plate
10	4699919	1	Water Housing
11	2900119	2	Cap Screw, Soc. Hd., 1/2-13 x 3/4"
12	3200042	1	Fitting, 3/4" F. Garden to 1/4" M. Pipe
13	3200034	1	Petcock, 1/4" MPT - FPT
14	4641010	1	Key, 1/2" Sq. x 4" Long