



**CORE PREP
PARTS LIST**

CPG100

JANUARY 2020

Part #: 1802704-10

RECOMMENDED POWER CORD GAUGE

HORSE POWER	PHASE	VOLTS	AMPS	50 Ft. CORD	100 Ft. CORD	150 Ft. CORD	200 Ft. CORD
5hp	1ph	230v	23A	#10	#8	#6	#4
5hp	3ph	230v	12A	#14	#12	#10	#8
5hp	3ph	460v	6A	#14	#14	#12	#10
7.5hp	1ph	230v	33A	#8	#8	#6	#4
10hp	3ph	230v	24A	#10	#8	#6	#4
10hp	3ph	460v	12A	#14	#12	#10	#8
20hp	3ph	230v	52A	#6	#6	#4	#2
20hp	3ph	460v	26A	#10	#8	#6	#4
25hp	3ph	230v	58A	#6	#6	#4	#2
25hp	3ph	460v	29A	#10	#8	#6	#4
30hp	3ph	230v	74A	#6	#4	#2	#1
30hp	3ph	460v	37A	#8	#6	#4	#2
40hp	3ph	460v	48A	#8	#6	#4	#2
50hp	3ph	460v	62A	#4	#4	#2	#0

CAUTION: Use of a wire gauge that is too small will cause loss of power or overheating and will damage the electric motor.

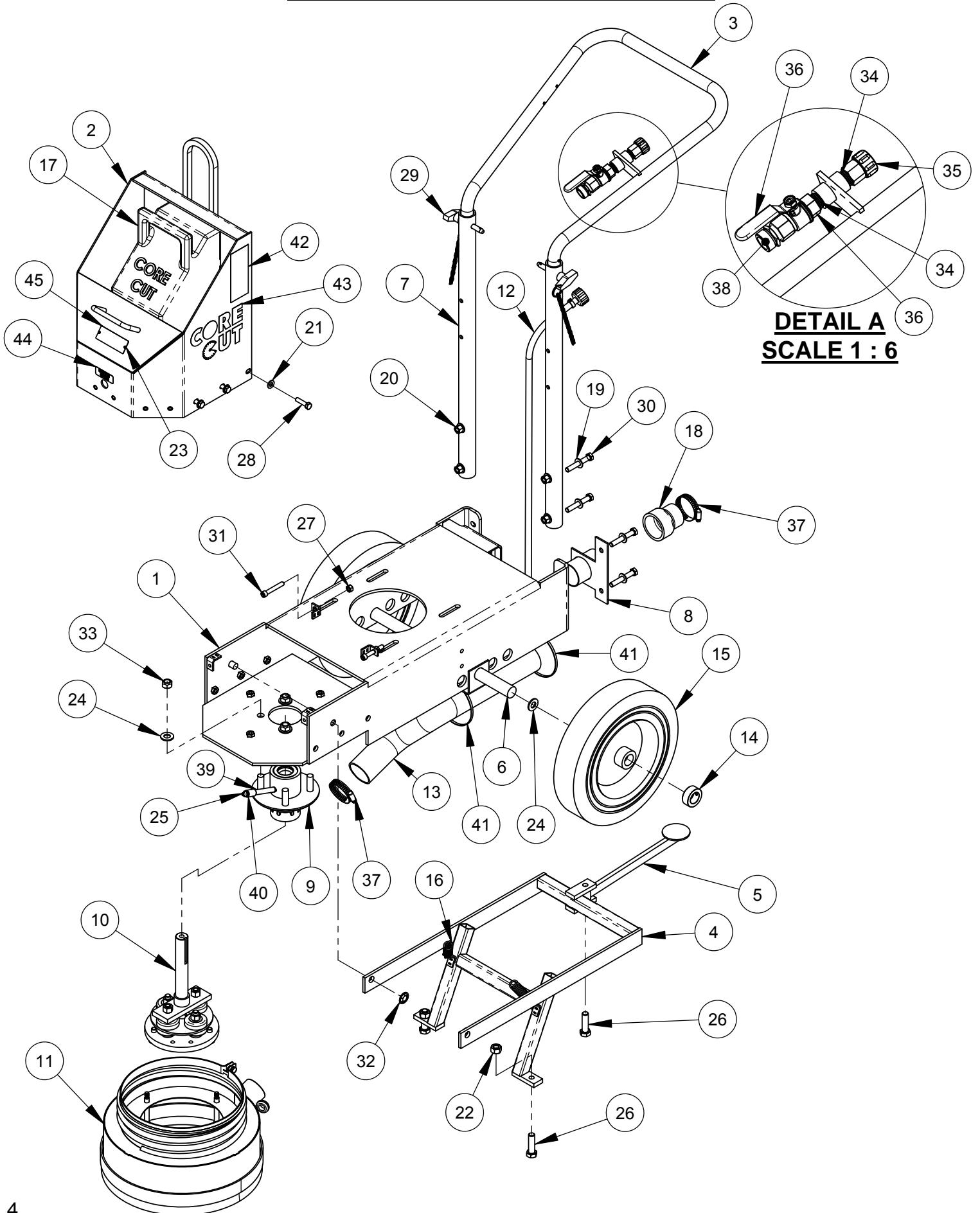
Table of Contents

<u>Description</u>	<u>Page No.</u>
Recommended Power Cords.....	2
Frame Assembly.....	4-5
Dust Guard Assembly.....	6
Shaft and Flex Coupling.....	7
Gas Engine Group, 10 HP Honda.....	8
Gas Tank Assembly.....	9
Electric Motor Group, 2 HP.....	11
Electric Motor Group, 7.5 HP 1 Phase, 230V	12
Electric Motor Group, 7.5 HP 3 Phase, 230V	13
Electric Motor Group, 7.5 HP 3 Phase, 460V	14
Starter Box Assembly, 7.5 HP, 1 Phase, 230V.....	15
Starter Box Assembly, 7.5 HP, 3 Phase, 230V.....	16
Starter Box Assembly, 7.5 HP, 3 Phase, 460V,.....	17
Starter Box, 230V.....	18
Starter Box, 460V,	19
Starter Box, 230V.....	20-21
Starter Box, 460V,	22-23
Warranty.....	Rear Cover

Quick Reference Service Filters/ Belts

<u>DP Part No.</u>	<u>Description</u>	<u>Manufacturer's Part No.</u>
2703150	Fuel Filter for Honda	(Honda #17676-ZE2-W01)
2702121	Air Filter for Honda	(Honda #17211-ZF5-V01)
2500032	V-Belt (3) for Honda	(Gates #4L-390)
2500032	V-Belt (2) for Baldor 2HP, 1PH	(Gates #4L-390)
2500032	V-Belt (3) for Baldor 7.5HP, 3PH	(Gates #4L-390)
2500032	V-Belt (3) for Danfoss	(Gates #4L-390)

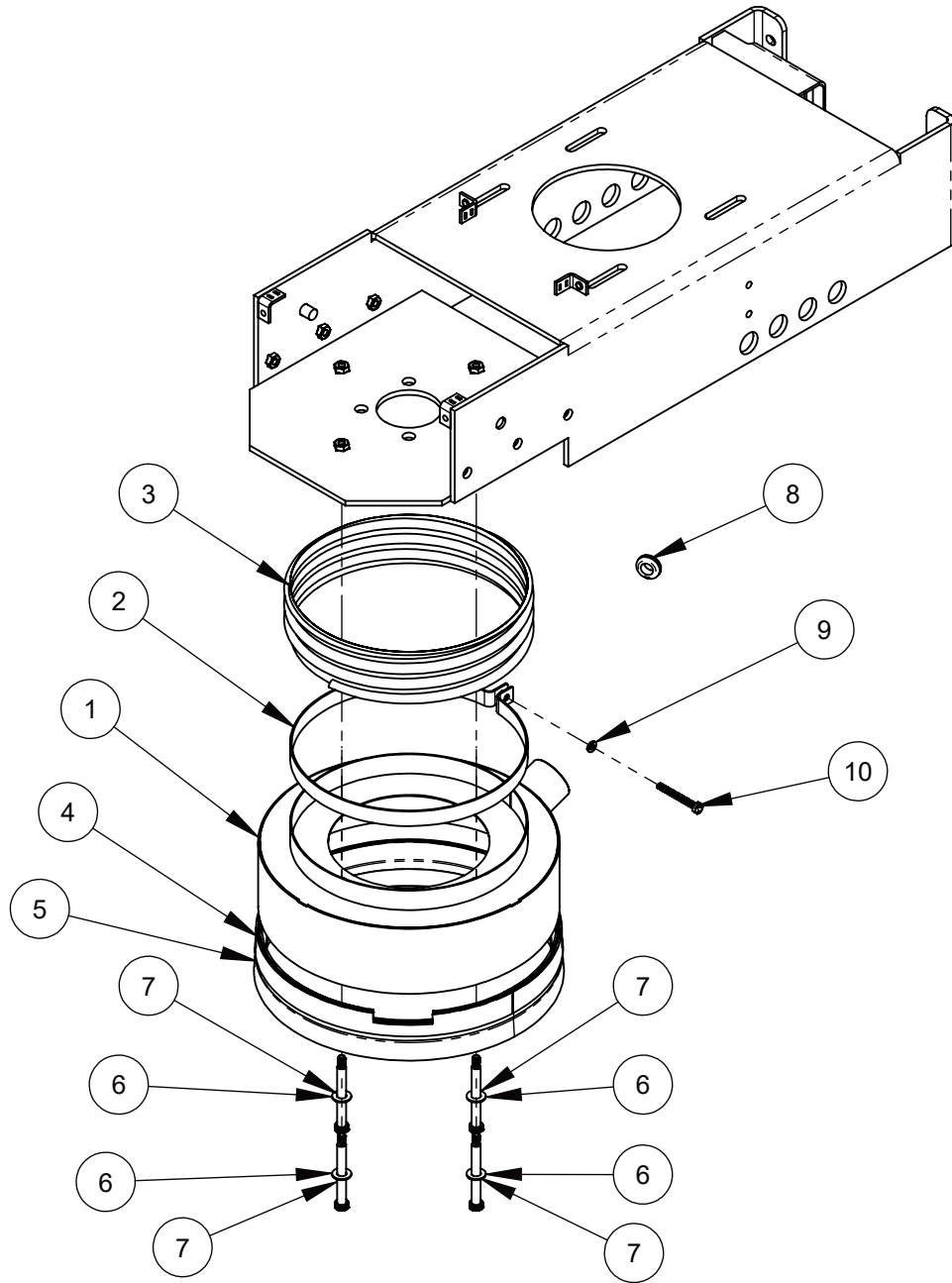
CC100 FRAME ASSEMBLY #6041369



CC100 FRAME ASSEMBLY #6041369

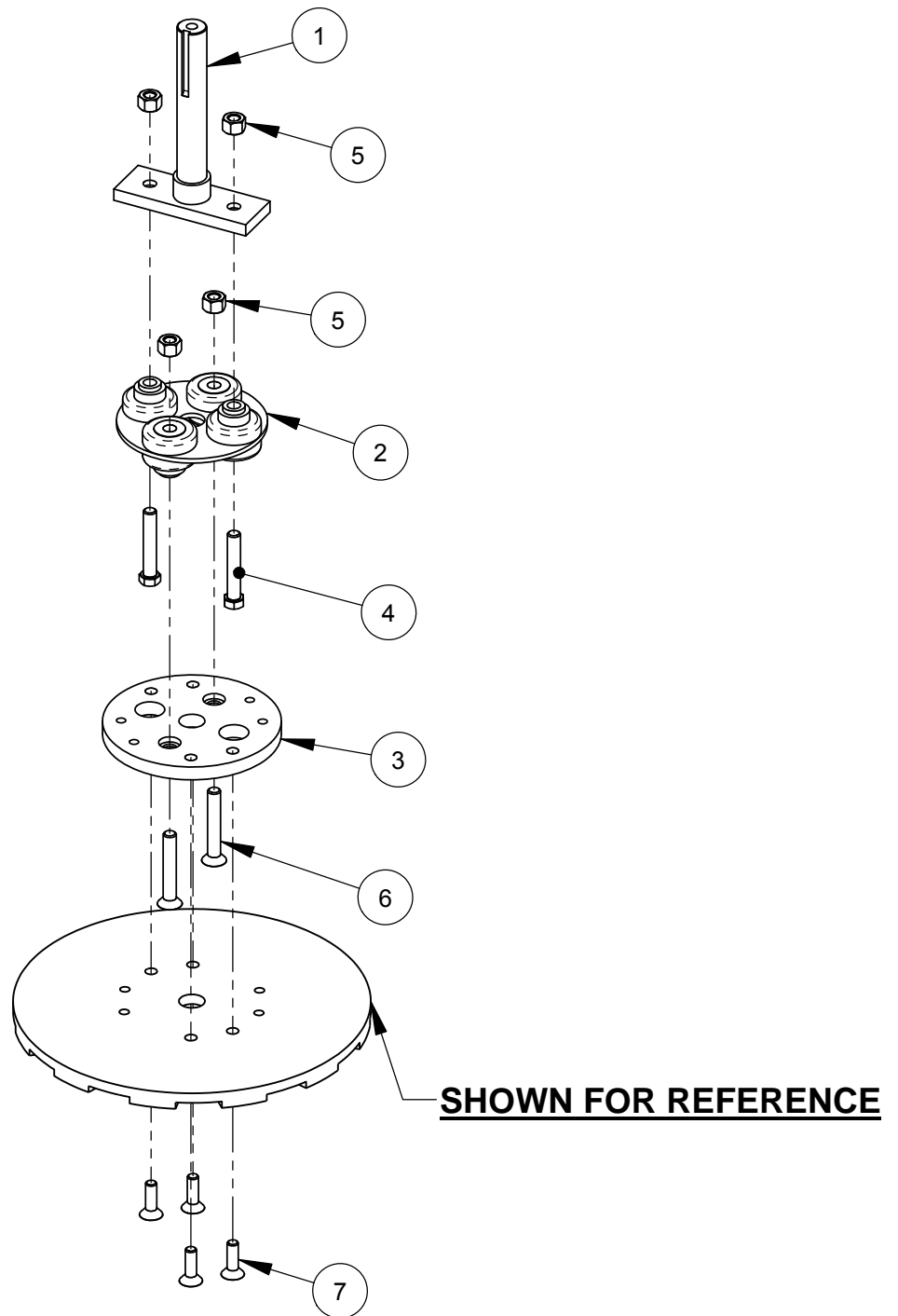
ITEM	PART NO.	QTY.	DESCRIPTION
1	6041962	1	Frame Base Weldment
2	6041022	1	Weight Box
3	6041023	1	Handle Weldment
4	6041047	1	Leg Weldment
5	6041048	1	Foot Pedal Weldment
6	6041049	1	Axle Shaft Weldment
7	6041056	2	Handle Support
8	6041063	1	Dust Port Bracket
9	6041138	1	Flanged Hub W/ 1/8 Grease Port
10	6041960	1	CC100 Shaft/Coupling Assy.
11	6041190	1	Dust Guard Assembly
12	6040299	1	Water Hose Assembly
13	6040595	1	Dust Hose, 2" ID x 27", PVC
14	2500009	2	Set Collar, 1" ID
15	2501039	2	Wheel, 12 x 3 x 1"
16	2501040	2	Spring, 3/4 x 2-3/4", Extension
17	2501047	1	Weight
18	2503177	1	Hose Reducer, 2.0"-1.5" ID
19	2900014	8	Flat Washer, 3/8" SAE
20	2900018	4	Locknut, 3/8-16, Nylon
21	2900022	6	Flat Washer, 5/16" SAE
22	2900037	2	Hex Nut, 1/2-13
23	2900053	4	Rivet, 3/32" Dia.
24	2900058	6	Flat Washer, 1/2" SAE
25	2900062	1	Grease Fitting, 1/8" NPT
26	2900139	3	Cap Screw, Hex Hd., 1/2-13 x 1-3/4"
27	2900141	2	Hex Nut, 5/16-18
28	2900217	6	Cap Screw, Hex Hd., 5/16-18 x 1-1/4"
29	2900257	2	Lock Pin, T Handle, 3/8"
30	2900596	4	Cap Screw, Hex Hd., 3/8-16 x 2-1/2"
31	2900947	2	Cap Screw, Soc. Hd., 5/16-18 x 2"
32	2900948	2	Retainer, 1/2"
33	2900949	4	Lug Nut, 1/2-20
34	3200008	2	Close Nipple, 1/2" NPT
35	3200022	1	Fitting, 1/2" F. Pipe to 3/4" F. Garden
36	3200027	1	Water Valve
37	3200095	2	Hose Clamp #32
38	3200155	1	Fitting, 1/2" M. Pipe to 3/4" M. Garden
39	3200179	1	Pipe Nipple, 1/8" NPT x 3"
40	3200388	1	1/8" Pipe Coupling
41	2800278	2	Zip Tie, 14"
42	1800001	2	Warning Label
43	1800506	2	Core Cut Decal
44	1800504	1	Label, Grease Often
45	1800169	1	Serial Number Plate, US

DUST GUARD ASSEMBLY #6041190



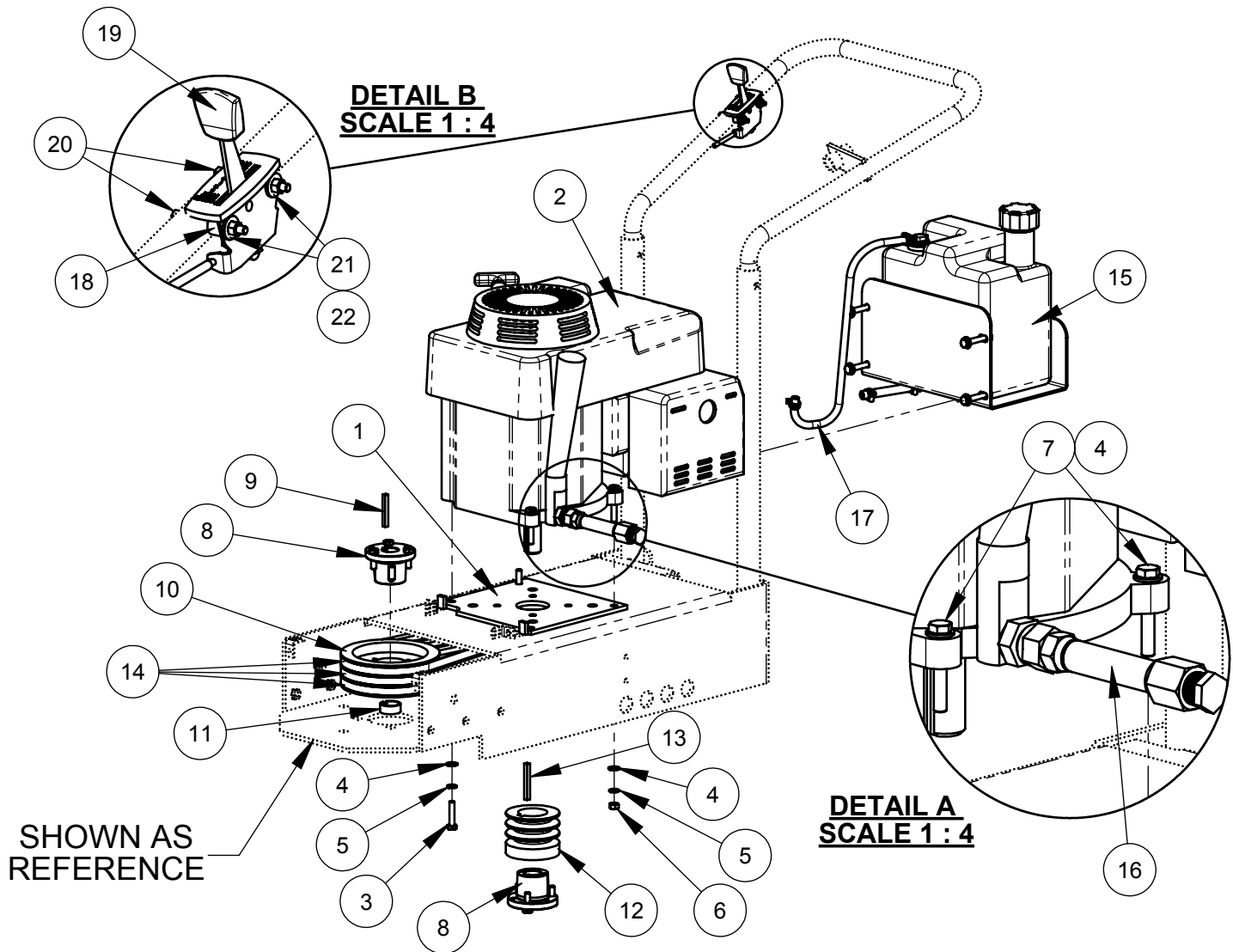
ITEM	PART NO.	QTY.	DESCRIPTION
1	6040830	1	Dust Guard
2	6040910	1	Hose Ring 10"
3	6041197	1	Flexible Hose, 10" ID x 2.50" Long
4	6040902	1	Strip Brush Holder
5	6040903	1	Strip Brush
6	2900014	4	Flat Washer, 3/8" SAE
7	2902443	4	Shoulder Screw, 3/8 x 3" (5/16-18)
8	2505182	1	Grommet, 9/16" ID
9	2900024	1	Lock Washer, 1/4" Split
10	2902424	1	Tap Screw, Hex Hd., 1/4-20 x 2-1/4"

6041960: CC100 SHAFT AND FLEX COUPLING



ITEM	PART NO.	QTY.	DESCRIPTION
1	6041171	1	Blade Shaft Weldment
2	6041173	1	Flex Coupling
3	6041172	1	Disc Flange
4	2903061	2	Capscrew, Hex Hd., 7/16-14 x 2-1/2"
5	2900045	4	Lock Nut, 7/16-14 Nylon
6	2901072	2	Cap Screw, Flat Hd., 7/16-14 x 2-3/4"
7	2900230	4	Cap Screw, Flat Hd., 3/8-16 x 1-1/4"

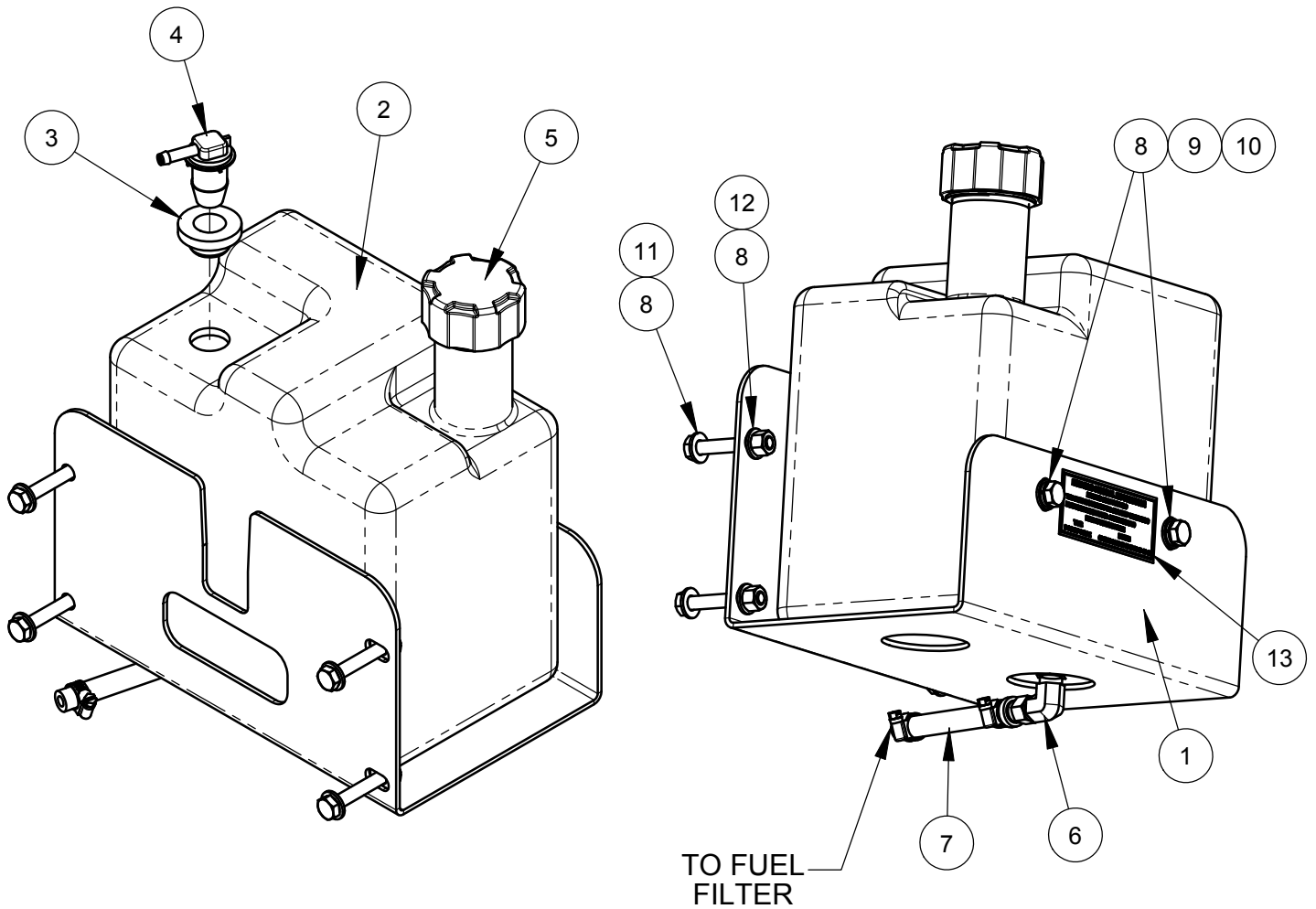
6010483 CPG100 HONDA ENGINE GROUP, 10HP



ITEM	PART NO.	QTY.	DESCRIPTION
1	6048335	1	Motor Adapter Plate
2	2600259	1	Honda GXV390, Vertical Shaft
3	2900945	2	Cap Screw, Hex Hd., 5/16-24 x 1-1/2"
4	2900022	6	Flat Washer, 5/16" SAE
5	2900031	4	Lock Washer, 5/16" Split
6	2900946	2	Hex Nut, 5/16-24
7	2900944	2	Cap Screw, Hex Hd., 5/16-24 x 2"
8	2501044	2	Bushing, Taper Lock, 1" Bore, w/Fasteners
	2900138	3	Cap Screw, Hex Hd., 5/16-18 x 1"
	2501044B	1	Key, 3/8 x 5/16 x 3/4"
9	2501357	1	Key, 1/4" Sq., x 2.0"
10	2501043	1	Sheave, 6.00-3 Groove
11	6041042	1	Spacer, Blade Shaft
12	2501045	1	Sheave, 3.00 - 3 Groove
13	6048134	1	Key, 1/4" Sq. x 2-1/4"
14	2500032	3	V-Belt 4L-390

ITEM	PART NO.	QTY.	DESCRIPTION
15	6017351	1	Gas Tank Assy., CC100/200
16	6041121	1	Oil Drain Hose Assembly
	3200462	1	Fitting, M20 x 1.5 to 5/8" M. JIC
	3200440	1	Fitting, 5/8" F. to 1/2" M. JIC
	3200181	1	Fitting, 1/2" F. JIC to 1/2" Pushlok
	6010435	1	Hose, 1/2" I.D. x 3"
	3200163	1	Fitting, 1/2" F. Pipe to 1/2" Push Lock
	3200160	1	Plug, 1/2" NPT
17	6013200	1	3/16 x 19" Fuel Line W/ Clamps
	3200062	2	Hose Clamp #4
18	6041062	2	Spacer, 1/4 ID x .42"
19	2501046	1	Throttle Cable Assembly
20	2900597	2	Cap Screw, Hex Hd., M5-0.8 x 50mm
21	2900926	2	Flat Washer, M5
22	2900301	2	Lock Nut, M5-0.8 Nylon Insert

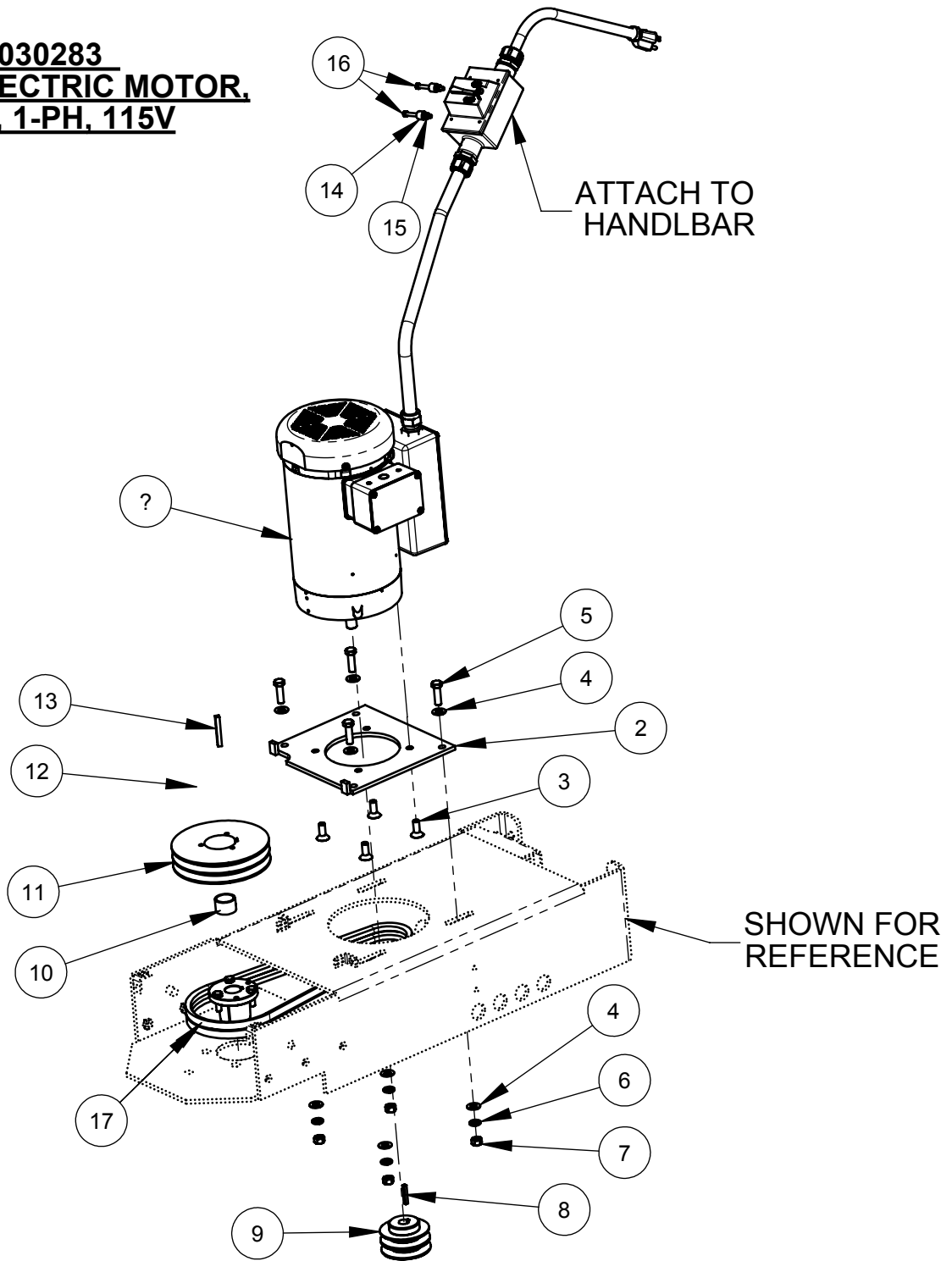
6017351 CC100/200 GAS TANK ASSEMBLY



ITEM	PART NO.	QTY.	DESCRIPTION
1	6041046	1	Gas Tank Support
2	6010846	1	Fuel Tank, 1.5 Gallon
3	2506716	1	Grommet
4	2502484	1	Roll Over Vent, 1/4" Hose Barb
5	2506718	1	Fuel Tank Cap, 1-3/4"
6	3200057	1	Elbow, 1/4" M. Pipe to 1/4" M. JIC
7	6011718	1	Hose Assy., Fuel, 1/4"
	3200091	1	Fitting, 1/4" F. JIC to 1/4" Push Lock
	3200062	2	Hose Clamp #4
8	2900022	10	Flat Washer, 5/16" SAE
9	2900031	2	Lock Washer, 5/16" Split
10	2900329	2	Cap Screw, Hex Hd., M8-1.25 x 20mm
11	2900494	4	Cap Screw, Hex Hd., 5/16-18 x 2"
12	2900039	4	Lock Nut, 5/16-18 Nylon
13	1801716	1	Decal, EPA EVAP Standard

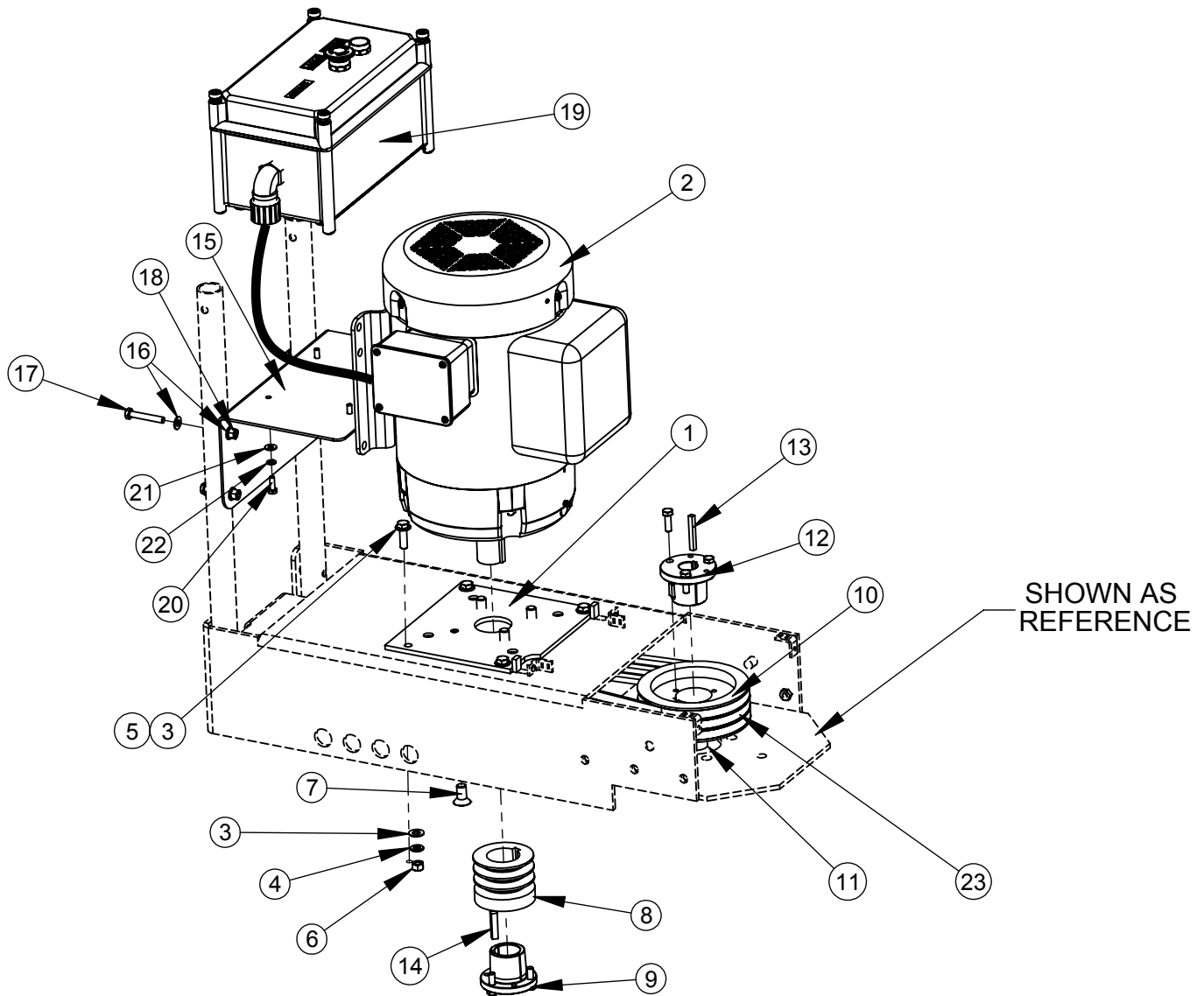
(Intentionally Blank)

6030283
CC100 ELECTRIC MOTOR,
2HP, 1-PH, 115V



ITEM	PART NO.	QTY.	DESCRIPTION	ITEM	PART NO.	QTY.	DESCRIPTION
1	2600271	1	2 HP-1Ph Motor Assy., W/ drilled switch box.	9	2501177	1	Sheave, 3.00 - 2 Groove
2	6041064	1	Engine Plate	10	6041001	1	Spacer, Blade Shaft
3	2900235	4	Cap Screw, Flat Hd., 3/8-16 x 1"	11	2501178	1	Sheave, 6.00-2 Groove
4	2900014	8	Flat Washer, 3/8" SAE	12	2501044	1	Bushing, Taper Lock, 1" Bore, w/Fasteners
5	2900013	4	Cap Screw, Hex Hd., 3/8-16 x 1-1/4"	13	2501357	1	Key, 1/4" Sq., x 2.0"
6	2900006	4	Lock Washer, 3/8" Split	14	6041062	2	Spacer, 1/4 ID x .42"
7	2900033	4	Hex Nut, 3/8-16	15	2900301	2	Lock Nut, M5-0.8 Nylon Insert
8	6048229	1	Key, 3/16" Sq. x 1-1/4"	16	2900597	2	Cap Screw, Hex Hd., M5-0.8 x 50mm
				17	2500032	2	V-Belt 4L-390

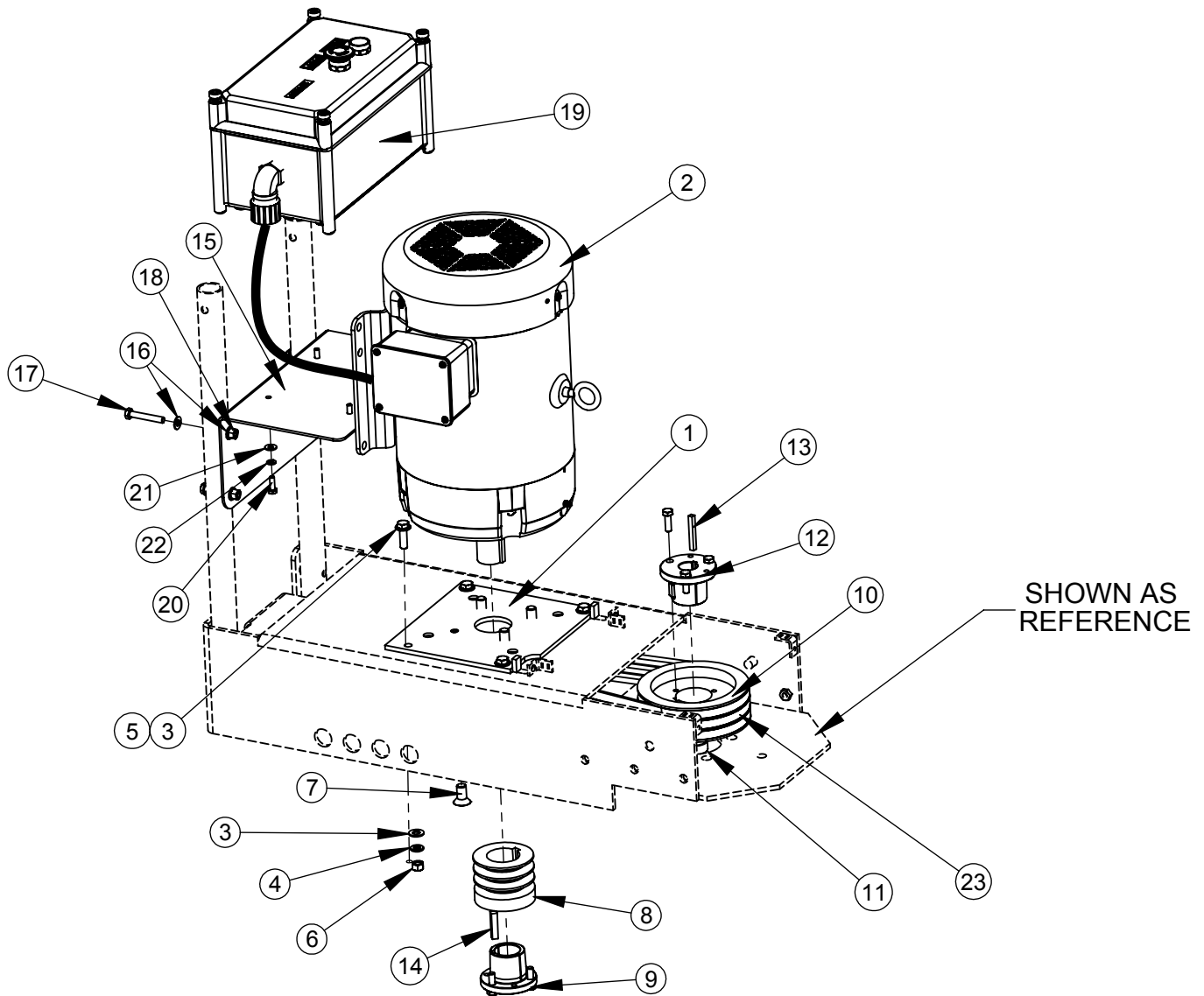
6011713 ELECTRIC MOTOR GROUP, 7-1/2 HP, 230V, 1 Ph



ITEM	PART NO.	QTY.	DESCRIPTION
1	6048335	1	Motor Adapter Plate
2	2600119	1	Electric Motor, 7-1/2 HP, 230V, 1 Ph, C-Face
3	2900014	8	Flat Washer, 3/8" SAE
4	2900006	4	Lock Washer, 3/8" Split
5	2900013	4	Cap Screw, Hex Hd., 3/8-16 x 1-1/4"
6	2900033	4	Hex Nut, 3/8-16
7	2900530	4	Cap Screw, Flat Hd., 1/2-13 x 1"
8	2501045	1	Sheave, 3.00 - 3 Groove
9	2500370	1	Bushing, Taper Lock, 1-3/8" Bore
	2500370B	1	Key, 3/8 x 5/16 x 3/4"
	2900138	3	Cap Screw, Hex Hd., 5/16-18 x 1"
10	2501043	1	Sheave, 6.00-3 Groove
11	6041042	1	Spacer, Blade Shaft

ITEM	PART NO.	QTY.	DESCRIPTION
12	2501044	1	Bushing, Taper Lock, 1" Bore, w/Fasteners
	2900138	3	Cap Screw, Hex Hd., 5/16-18 x 1"
	2501044B	1	Key, 3/8 x 5/16 x 3/4"
13	2501357	1	Key, 1/4" Sq., x 2.0"
14	6048046	1	Key, 5/16" Sq. x 1-1/2"
15	6041154	1	Bracket, Electric Box
16	2900022	8	Flat Washer, 5/16" SAE
17	2900494	4	Cap Screw, Hex Hd., 5/16-18 x 2"
18	2900039	4	Lock Nut, 5/16-18 Nylon
19	6048506	1	Starter Box Assy., 220-240V, 1PH.
20	2900144	4	Cap Screw, Hex Hd., 1/4-20 x 3/4"
21	2900009	4	Flat Washer, 1/4" SAE
22	2900024	4	Lock Washer, 1/4" Split
23	2500032	3	V-Belt 4L-390

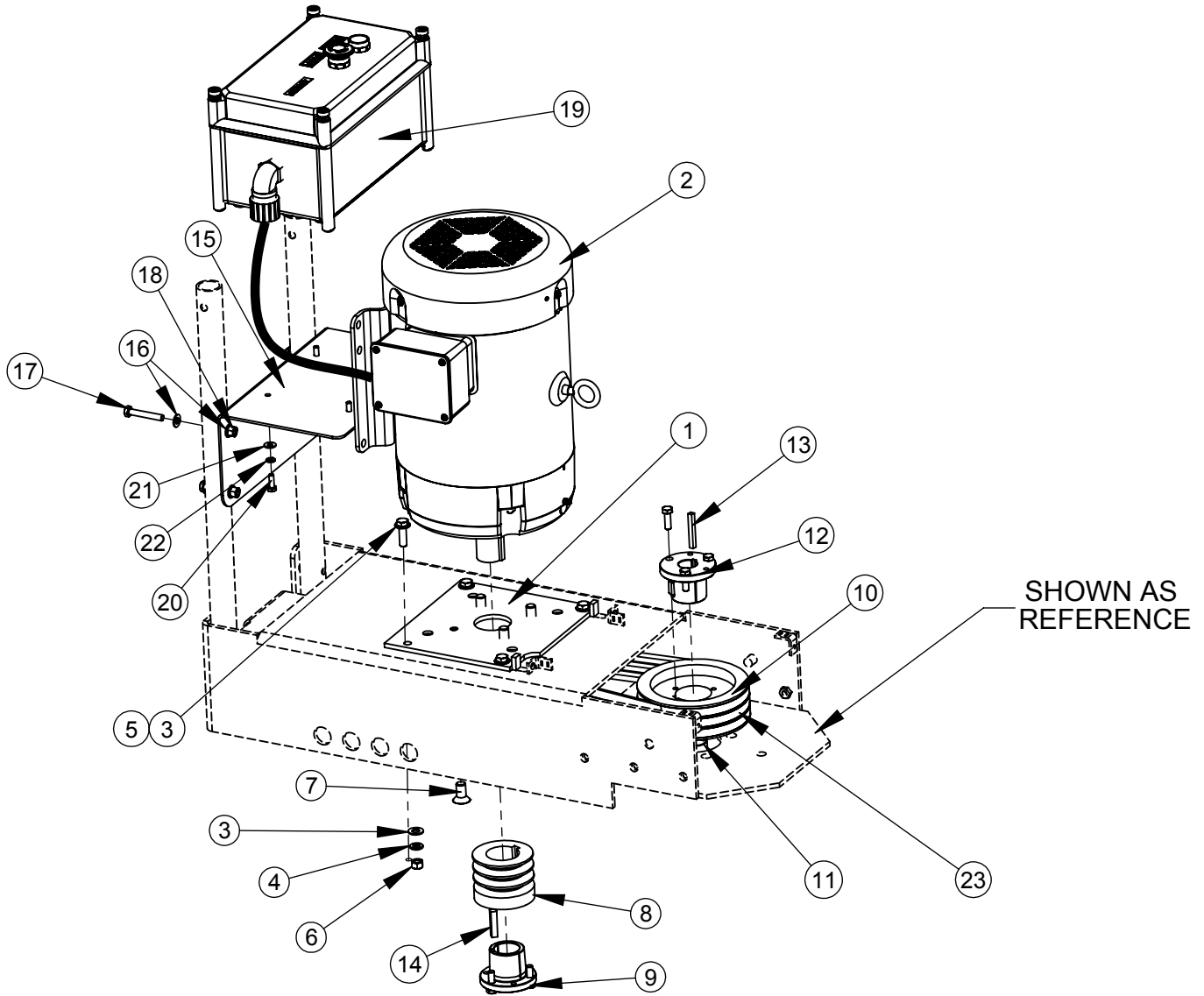
6011740 ELECTRIC MOTOR GROUP, 7-1/2 HP, 230V



ITEM	PART NO.	QTY.	DESCRIPTION
1	6048335	1	Motor Adapter Plate
2	2600128	1	Electric Motor, 7-1/2 HP, 3 Ph, C-Face
3	2900014	8	Flat Washer, 3/8" SAE
4	2900006	4	Lock Washer, 3/8" Split
5	2900013	4	Cap Screw, Hex Hd., 3/8-16 x 1-1/4"
6	2900033	4	Hex Nut, 3/8-16
7	2900530	4	Cap Screw, Flat Hd., 1/2-13 x 1"
8	2501045	1	Sheave, 3.00 - 3 Groove
9	2500370	1	Bushing, Taper Lock, 1-3/8" Bore
	2500370B	1	Key, 3/8 x 5/16 x 3/4"
	2900138	3	Cap Screw, Hex Hd., 5/16-18 x 1"
10	2501043	1	Sheave, 6.00-3 Groove
11	6041042	1	Spacer, Blade Shaft

ITEM	PART NO.	QTY.	DESCRIPTION
12	2501044	1	Bushing, Taper Lock, 1" Bore, w/Fasteners
	2900138	3	Cap Screw, Hex Hd., 5/16-18 x 1"
	2501044B	1	Key, 3/8 x 5/16 x 3/4"
13	2501357	1	Key, 1/4" Sq., x 2.0"
14	6048046	1	Key, 5/16" Sq. x 1-1/2"
15	6041154	1	Bracket, Electric Box
16	2900022	8	Flat Washer, 5/16" SAE
17	2900494	4	Cap Screw, Hex Hd., 5/16-18 x 2"
18	2900039	4	Lock Nut, 5/16-18 Nylon
19	4645261	1	Starter Box Assy., 220-240V
20	2900144	4	Cap Screw, Hex Hd., 1/4-20 x 3/4"
21	2900009	4	Flat Washer, 1/4" SAE
22	2900024	4	Lock Washer, 1/4" Split
23	2500032	3	V-Belt 4L-390

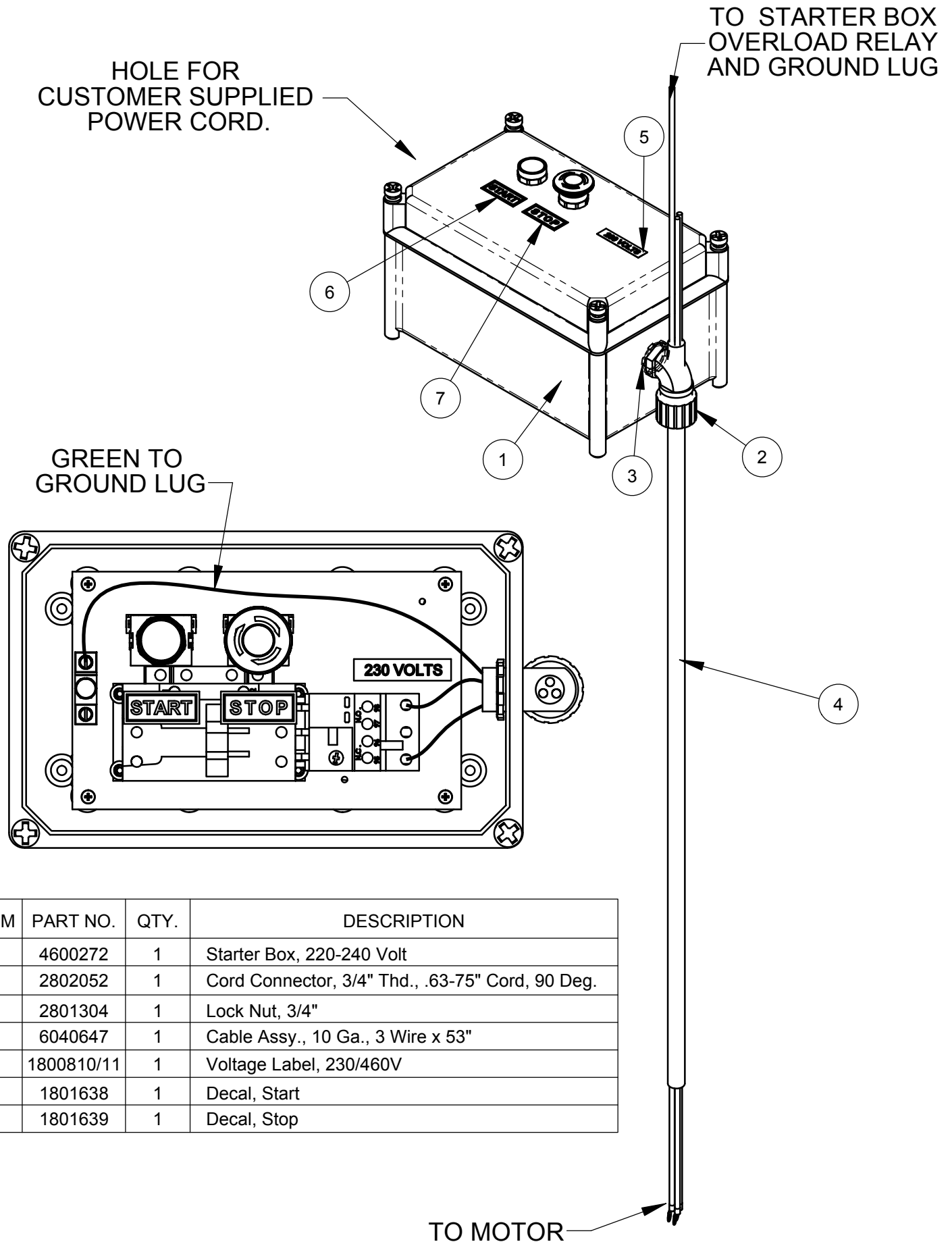
6011741 ELECTRIC MOTOR GROUP, 7-1/2 HP, 460V



ITEM	PART NO.	QTY.	DESCRIPTION
1	6048335	1	Motor Adapter Plate
2	2600128	1	Electric Motor, 7-1/2 HP, 3 Ph, C-Face
3	2900014	8	Flat Washer, 3/8" SAE
4	2900006	4	Lock Washer, 3/8" Split
5	2900013	4	Cap Screw, Hex Hd., 3/8-16 x 1-1/4"
6	2900033	4	Hex Nut, 3/8-16
7	2900530	4	Cap Screw, Flat Hd., 1/2-13 x 1"
8	2501045	1	Sheave, 3.00 - 3 Groove
9	2500370	1	Bushing, Taper Lock, 1-3/8" Bore
	2500370B	1	Key, 3/8 x 5/16 x 3/4"
	2900138	3	Cap Screw, Hex Hd., 5/16-18 x 1"
10	2501043	1	Sheave, 6.00-3 Groove
11	6041042	1	Spacer, Blade Shaft

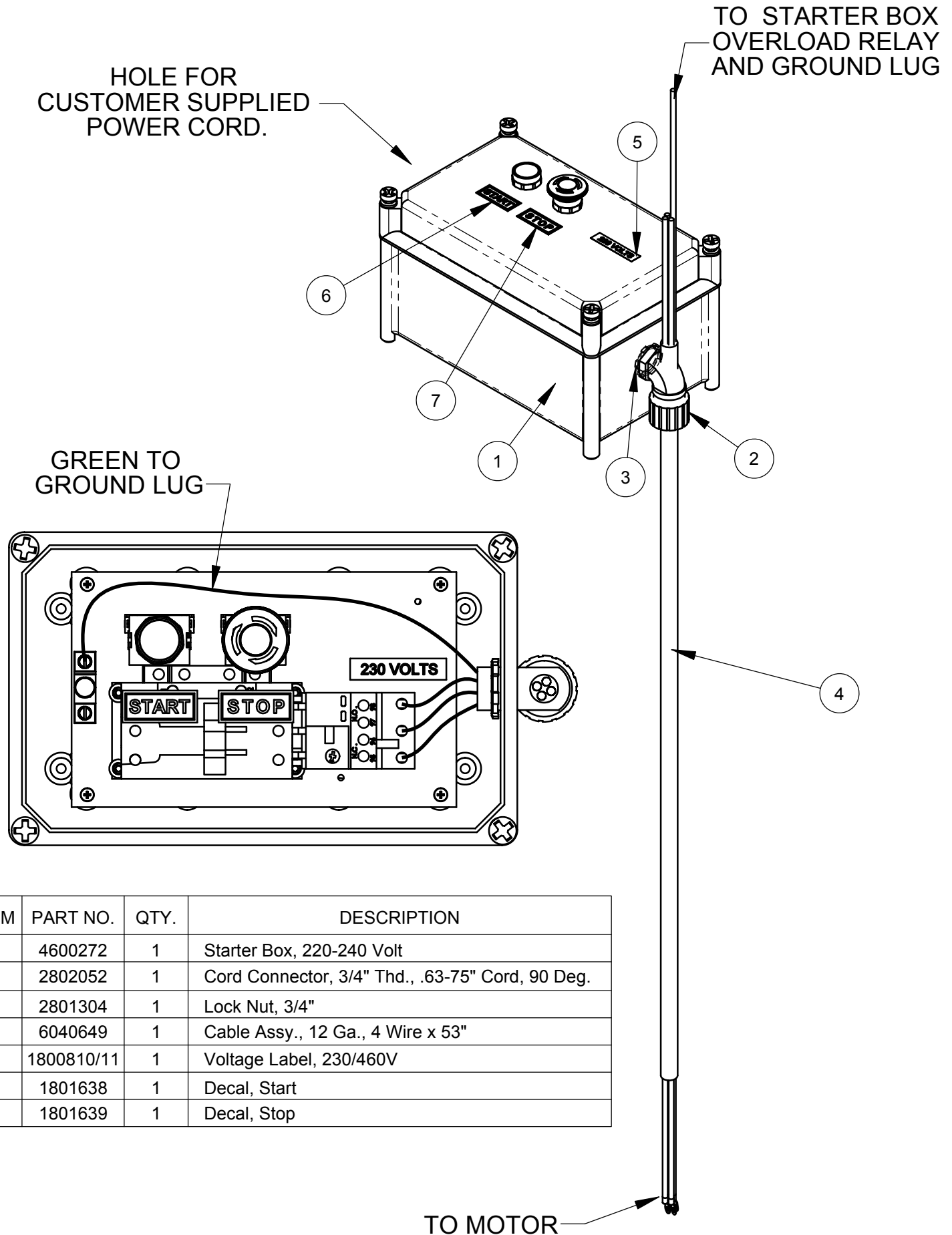
ITEM	PART NO.	QTY.	DESCRIPTION
12	2501044	1	Bushing, Taper Lock, 1" Bore, w/Fasteners
	2900138	3	Cap Screw, Hex Hd., 5/16-18 x 1"
	2501044B	1	Key, 3/8 x 5/16 x 3/4"
13	2501357	1	Key, 1/4" Sq., x 2.0"
14	6048046	1	Key, 5/16" Sq. x 1-1/2"
15	6041154	1	Bracket, Electric Box
16	2900022	8	Flat Washer, 5/16" SAE
17	2900494	4	Cap Screw, Hex Hd., 5/16-18 x 2"
18	2900039	4	Lock Nut, 5/16-18 Nylon
19	4645262	1	Starter Box Assy., 415-480V
20	2900144	4	Cap Screw, Hex Hd., 1/4-20 x 3/4"
21	2900009	4	Flat Washer, 1/4" SAE
22	2900024	4	Lock Washer, 1/4" Split
23	2500032	3	V-Belt 4L-390

6048506 STARTER BOX ASSEMBLY, 220-240 VOLT, 1 PH



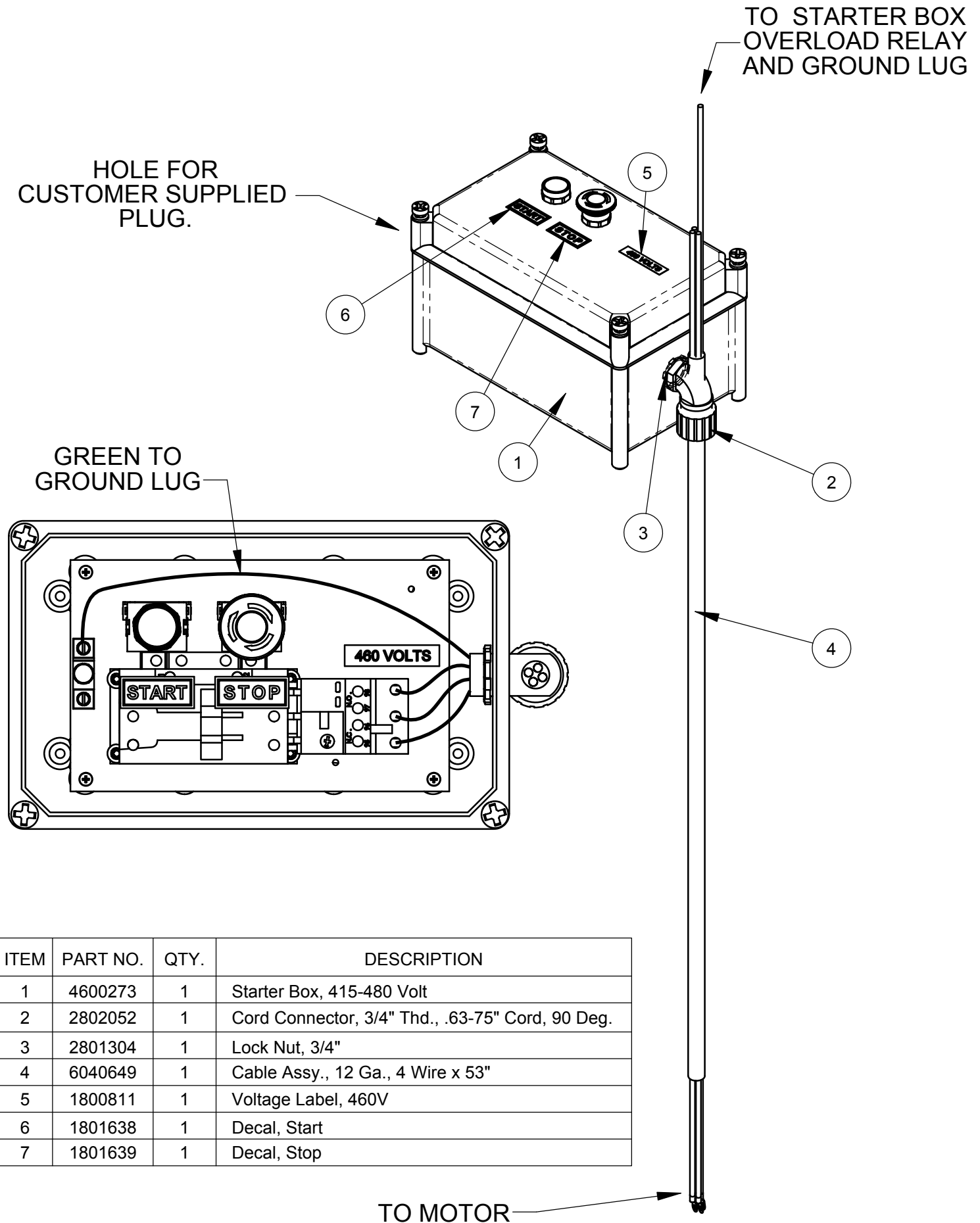
ITEM	PART NO.	QTY.	DESCRIPTION
1	4600272	1	Starter Box, 220-240 Volt
2	2802052	1	Cord Connector, 3/4" Thd., .63-75" Cord, 90 Deg.
3	2801304	1	Lock Nut, 3/4"
4	6040647	1	Cable Assy., 10 Ga., 3 Wire x 53"
5	1800810/11	1	Voltage Label, 230/460V
6	1801638	1	Decal, Start
7	1801639	1	Decal, Stop

4645261 STARTER BOX ASSEMBLY, 220-240 VOLT



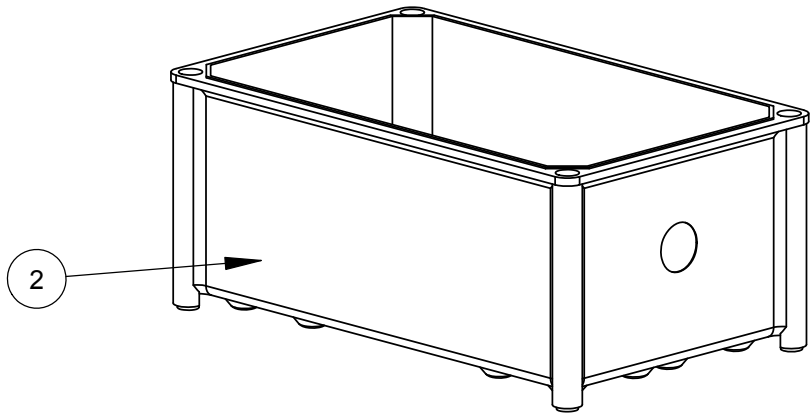
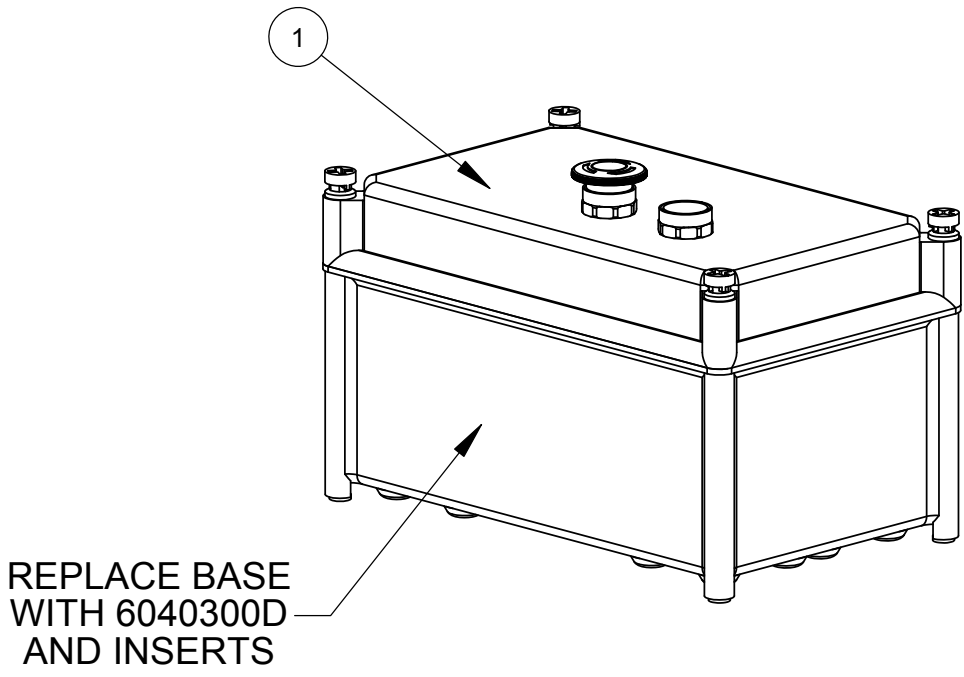
ITEM	PART NO.	QTY.	DESCRIPTION
1	4600272	1	Starter Box, 220-240 Volt
2	2802052	1	Cord Connector, 3/4" Thd., .63-75" Cord, 90 Deg.
3	2801304	1	Lock Nut, 3/4"
4	6040649	1	Cable Assy., 12 Ga., 4 Wire x 53"
5	1800810/11	1	Voltage Label, 230/460V
6	1801638	1	Decal, Start
7	1801639	1	Decal, Stop

4645262 STARTER BOX ASSEMBLY, 415-480 VOLT



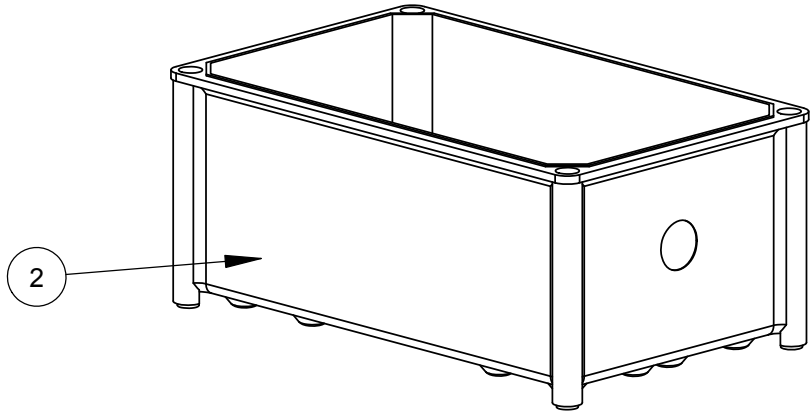
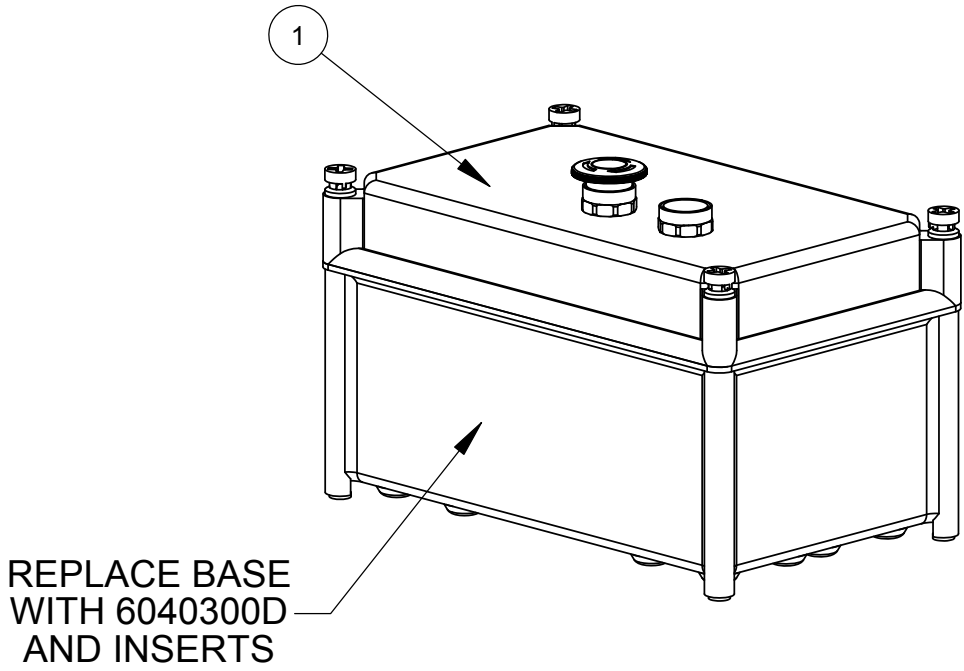
ITEM	PART NO.	QTY.	DESCRIPTION
1	4600273	1	Starter Box, 415-480 Volt
2	2802052	1	Cord Connector, 3/4" Thd., .63-75" Cord, 90 Deg.
3	2801304	1	Lock Nut, 3/4"
4	6040649	1	Cable Assy., 12 Ga., 4 Wire x 53"
5	1800811	1	Voltage Label, 460V
6	1801638	1	Decal, Start
7	1801639	1	Decal, Stop

4600272 STARTER BOX, 220-240 VOLT



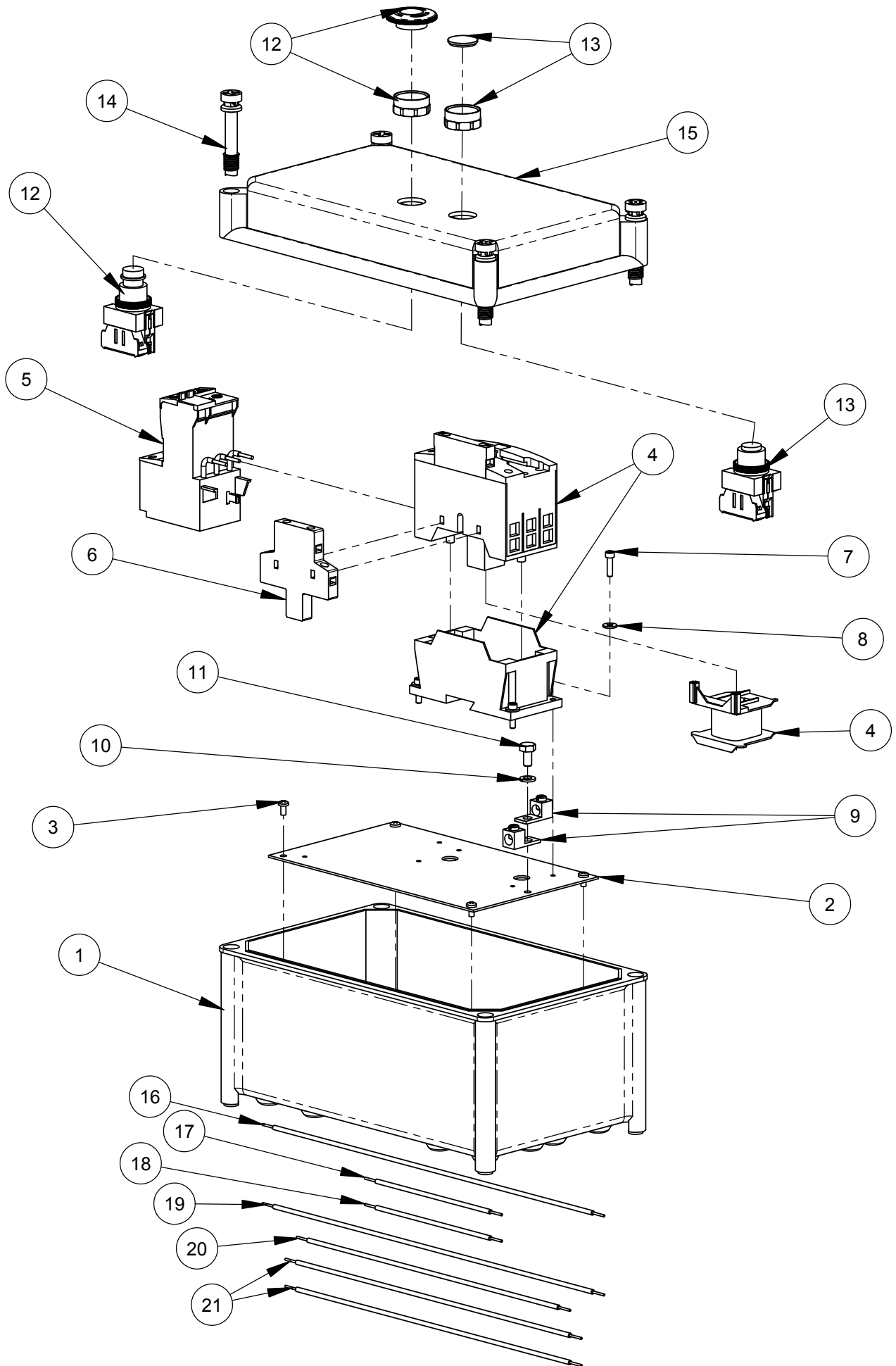
ITEM	PART NO.	QTY.	DESCRIPTION
1	2801032	1	Starter Box, 220-240V
2	6040300D	1	Starter Box Base
3	2901332	4	1/4-20 Threaded Insert

4600273 STARTER BOX, 415-480 VOLT

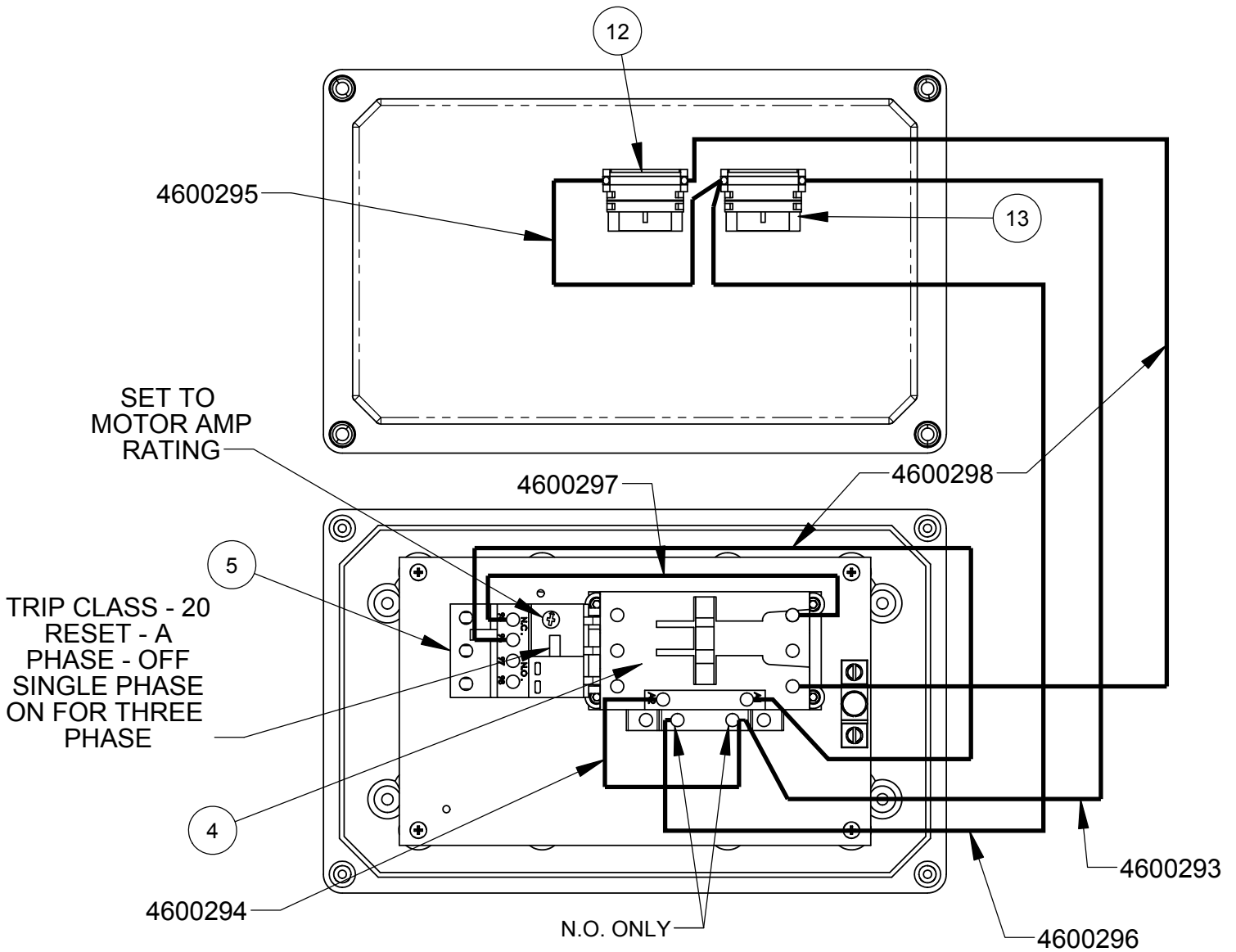


ITEM	PART NO.	QTY.	DESCRIPTION
1	2801031	1	Starter Box, 415-480V
2	6040300D	1	Starter Box Base
3	2901332	4	1/4-20 Threaded Insert

2801032 STARTER BOX, 220-240 VOLT

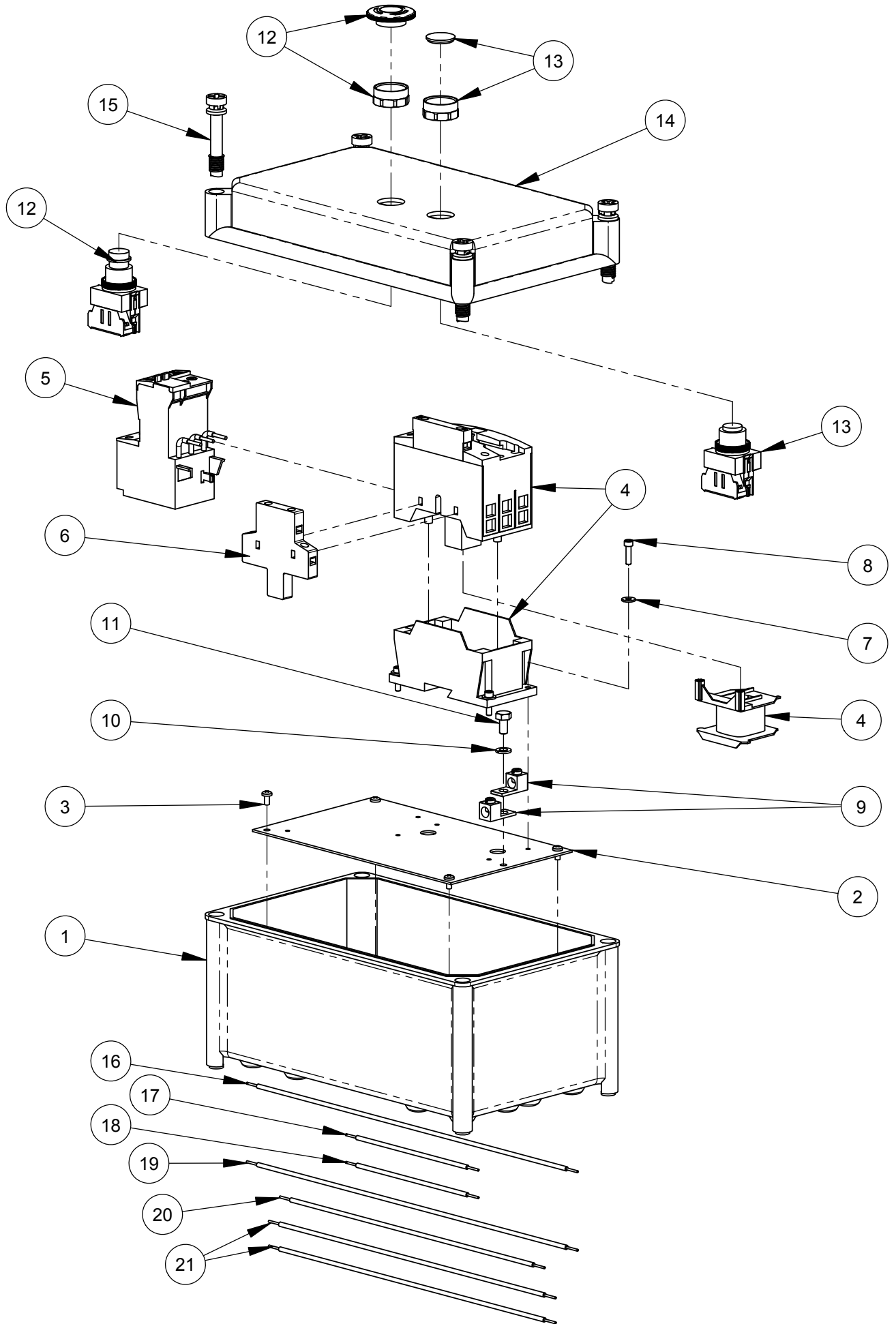


2801032 STARTER BOX, 220-240 VOLT

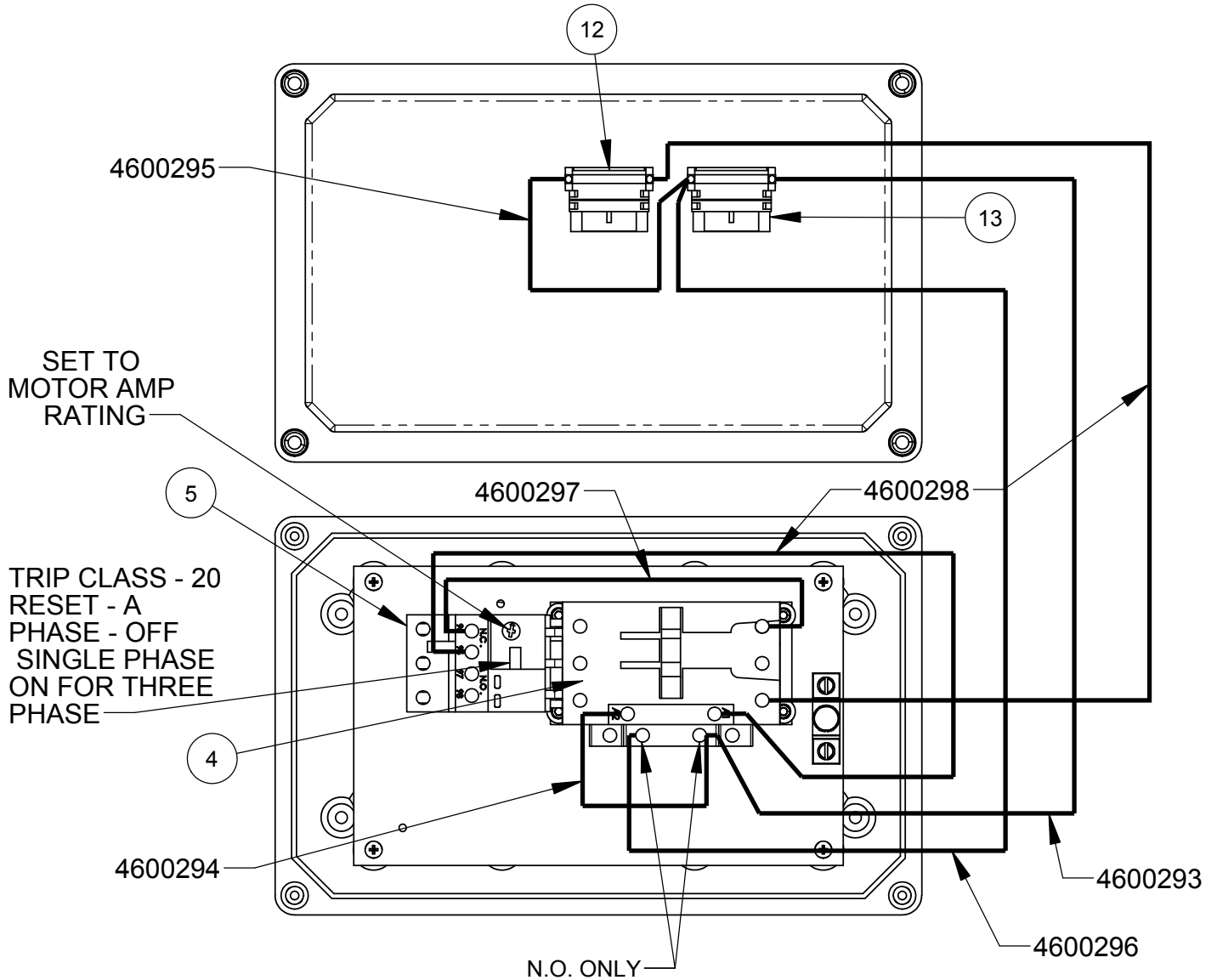


ITEM	PART NO.	QTY.	DESCRIPTION	ITEM	PART NO.	QTY.	DESCRIPTION
1	2702419	1	Electrical Box (Base)	11	2901891	1	Cap Screw, Hex Hd., 1/4-28 x 1/2"
2	6040598	1	Sub-plate	12	2801636	1	E-Stop Switch, 600V, NC
3	2900676	4	Machine Screw, Pan Hd., M4-0.7 x 8mm	13	2801639	1	Pushbutton, N.O., 600V
4	2801704	1	Contactor, 220-240V (includes coil)	14	2701414	4	Fastener, Electrical Box Top
	2801265	1	Replacement Coil, 220-240V	15	6048296	1	Electric Box Cover, 2 Hole
5	2801699	1	Overload Relay, 9-45 AMP	16	4600293	1	Wire, 14 Gage, Yellow, 15"
6	2801676	1	Auxiliary Contacts, 1NO-NC	17	4600294	1	Wire, 14 Gage, Yellow, 6"
7	2901827	4	Cap Screw, Soc. Hd., #8-32 x 5/8"	18	4600295	1	Wire, 14 Gage, Black, 6"
8	2901437	4	Flat Washer, #10	19	4600296	1	Wire, 14 Gage, Black, 15"
9	2800315	2	Grounding Lug	20	4600297	1	Wire, 14 Gage, Red, 12"
10	2900024	1	Lock Washer, 1/4" Split	21	4600298	2	Wire, 14 Gage, Red, 13"

2801031 STARTER BOX, 415-480 VOLT



2801031 STARTER BOX, 415-480 VOLT



ITEM	PART NO.	QTY.	DESCRIPTION	ITEM	PART NO.	QTY.	DESCRIPTION
1	2702419	1	Electrical Box (Base)	11	2901891	1	Cap Screw, Hex Hd., 1/4-28 x 1/2"
2	6040598	1	Sub-plate	12	2801636	1	E-Stop Switch, 600V, NC
3	2900676	4	Machine Screw, Pan Hd., M4-0.7 x 8mm	13	2801639	1	Pushbutton, N.O., 600V
4	2801707	1	Contactor, 415-480V (Includes Coil)	14	6048296	1	Electric Box Cover, 2 Hole
	2801266	1	Replacement Coil, 415-480V	15	2701414	4	Fastener, Electrical Box Top
5	2801699	1	Overload Relay, 9-45 AMP	16	4600293	1	Wire, 14 Gage, Yellow, 15"
6	2801676	1	Auxiliary Contacts, 1NO-NC	17	4600294	1	Wire, 14 Gage, Yellow, 6"
7	2901437	4	Flat Washer, #10	18	4600295	1	Wire, 14 Gage, Black, 6"
8	2901827	4	Cap Screw, Soc. Hd., #8-32 x 5/8"	19	4600296	1	Wire, 14 Gage, Black, 15"
9	2800315	2	Grounding Lug	20	4600297	1	Wire, 14 Gage, Red, 12"
10	2900024	1	Lock Washer, 1/4" Split	21	4600298	2	Wire, 14 Gage, Red, 13"

EQUIPMENT AND PARTS WARRANTY

Diamond Products warrants all equipment manufactured by it against defects in workmanship or materials for a period of one (1) year from the date of shipment to Customer.

The responsibility of Diamond Products under this Warranty is limited to replacement or repair of defective parts at Diamond Products' Elyria, Ohio factory, or at a point designated by it, of such parts as shall appear to us upon inspection at such parts, to have been defective in material or workmanship, with expense for transportation and labor borne by Customer.

In no event shall Diamond Products be liable for consequential or incidental damages arising out of the failure of any Product to operate properly.

Integral units such as engines, electric motors, batteries, transmissions, etc., are excluded from this Warranty and are subject to the prime manufacturer's warranty.

THIS WARRANTY IS IN LIEU OF ALL OTHER WARRANTIES, EXPRESSED OR IMPLIED, AND ALL SUCH OTHER WARRANTIES ARE HEREBY DISCLAIMED.



333 Prospect Street, Elyria, Ohio 44035
(440) 323-4616 • (800) 321-5336 • Fax (800) 634-4035
www.diamondproducts.com