



CORE PREP
PARTS LIST

CPG80E
SINGLE HEAD LOW PROFILE
FLOOR GRINDER

FEBRUARY 2023

Part #: 1802705-6

(Intentionally Blank)

Table of Contents

| <u>Description</u> | <u>Page No.</u> |
|-----------------------------|-----------------|
| Motor Assembly..... | 4-5 |
| Frame Assembly..... | 6 |
| Frame Lift Assembly..... | 7 |
| Flex Coupling Assembly..... | 8 |
| Dust Guard Assembly..... | 9 |
| Handle Assembly..... | 10 |
| Decal Group..... | 11 |
| Warranty..... | 12 |

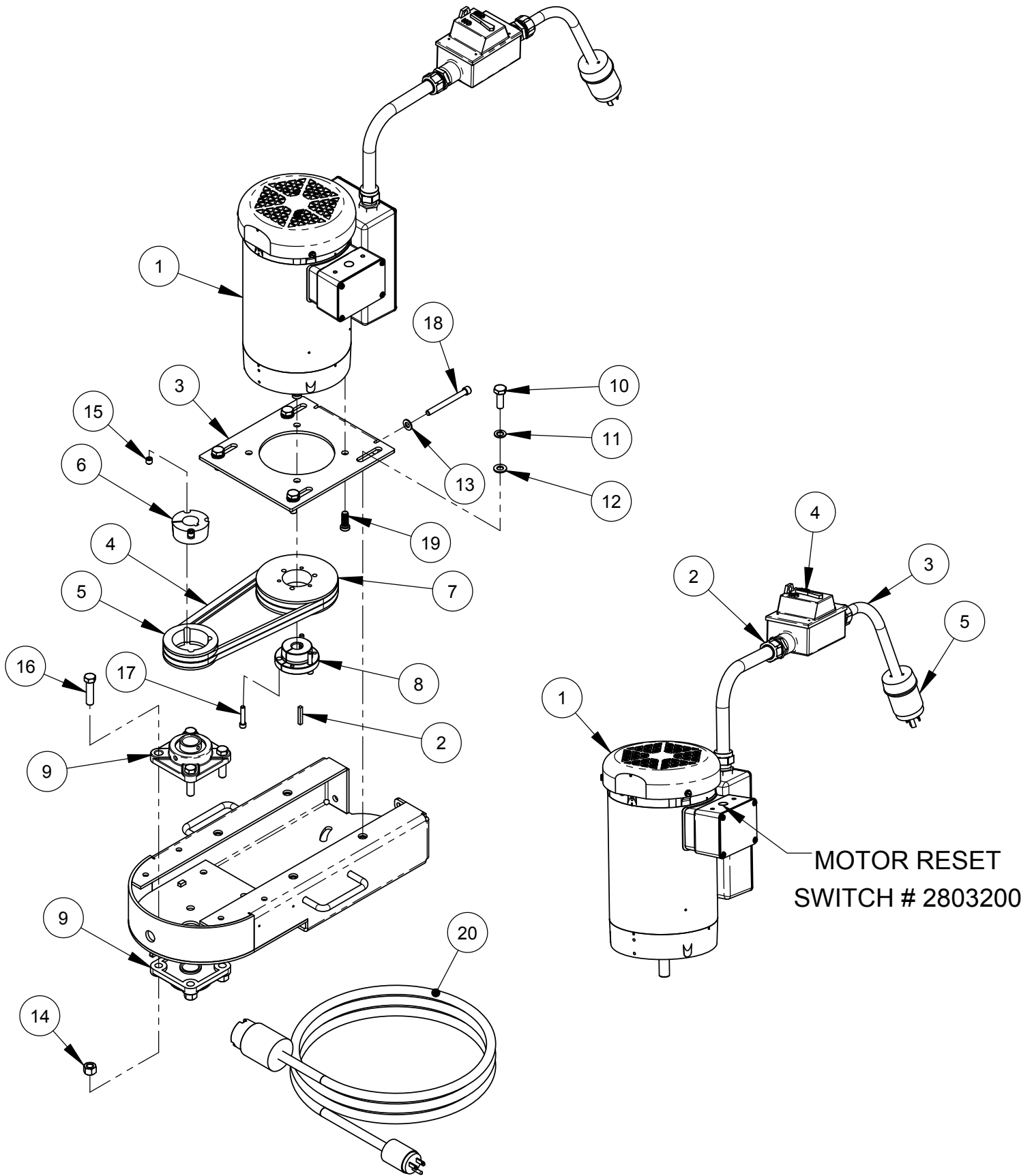
Quick Reference Service Filters/ Belts

| <u>DP Part No.</u> | <u>Description</u> | <u>Manufacturer's Part</u> |
|--------------------|--------------------------------|----------------------------|
| 2500034 | V-Belt (2) for Baldor 2HP, 1PH | (Gates #3V315) |

Accessories-Floor Grinding Heads

| DP Part No. | Size | Description |
|-------------|------|-------------|
| GHH0809 | 8" | 9 Segment |

MOTOR ASSEMBLY: 6040823

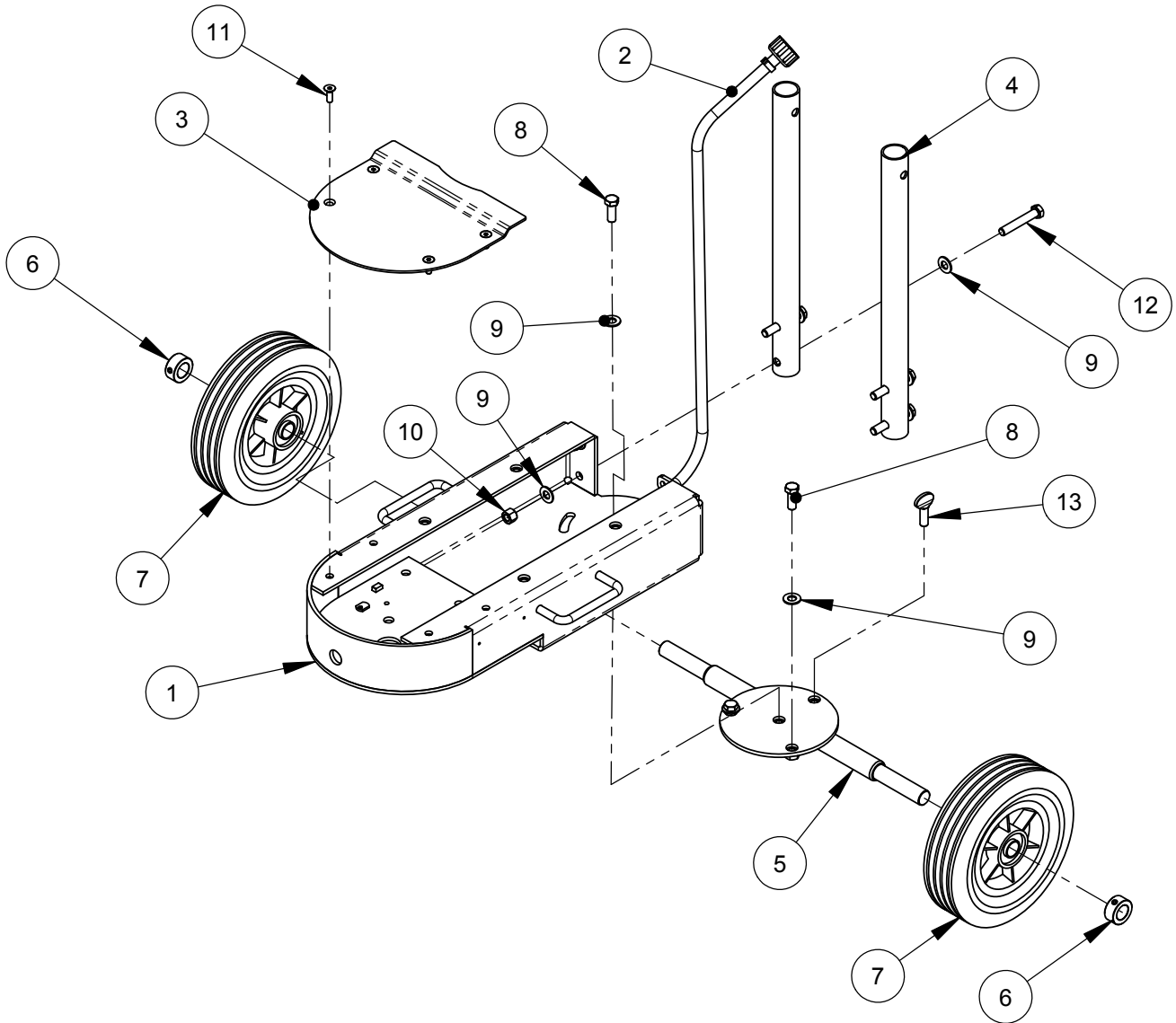


MOTOR ASSEMBLY: 6040823

| ITEM | PART NO. | QTY. | DESCRIPTION |
|------|----------|------|--|
| 1 | 2600594 | 1 | 2HP-1Ph Elec. Motor w/ on/off switch, 20A Plug |
| 2 | 6048229 | 1 | Key, 3/16" Sq. x 1-1/4" |
| 3 | 6040532 | 1 | Engine Mounting Plate |
| 4 | 2500034 | 2 | V-Belt, 3VX315 |
| 5 | 2504694 | 1 | Sheave, 3.35-2 Groove (2-3V-3.35-TB) |
| 6 | 2500030 | 1 | Taper Bushing, 1" w/ Set Screws |
| 7 | 2505006 | 1 | Sheave, 5.00-2 Groove (3V500SH) |
| 8 | 2504699 | 1 | Bushing, 5/8" QD SH |
| 9 | 2501063 | 2 | Bearing, 4 Bolt Flange, 1" ID |
| 10 | 2900223 | 4 | Cap Screw, Hex Hd., M10-1.5 x 30mm |
| 11 | 2900321 | 4 | Lock Washer, M10 Split |
| 12 | 2901356 | 4 | Flat Washer, M10 |
| 13 | 2900022 | 1 | Flat Washer, 5/16" SAE |
| 14 | 2900045 | 4 | Lock Nut, 7/16-14 Nylon |
| 15 | 2900131 | 2 | Set Screw, Soc. Hd., 3/8-16 x 3/8" |
| 16 | 2900149 | 4 | Cap Screw, Hex Hd., 7/16-14 x 1-3/4" |
| 17 | 2900519 | 3 | Cap Screw, Soc. Hd., 1/4-20 x 1-1/4 |
| 18 | 2900613 | 1 | Cap Screw, Soc. Hd., 5/16-18 x 3-1/4 |
| 19 | 2900983 | 4 | Cap Screw, Soc. Low Hd., 3/8-16 x 1" |
| 20 | 4699100 | 1 | Cord 50' 12GA, 115V 20A Twist to 15A Straight |

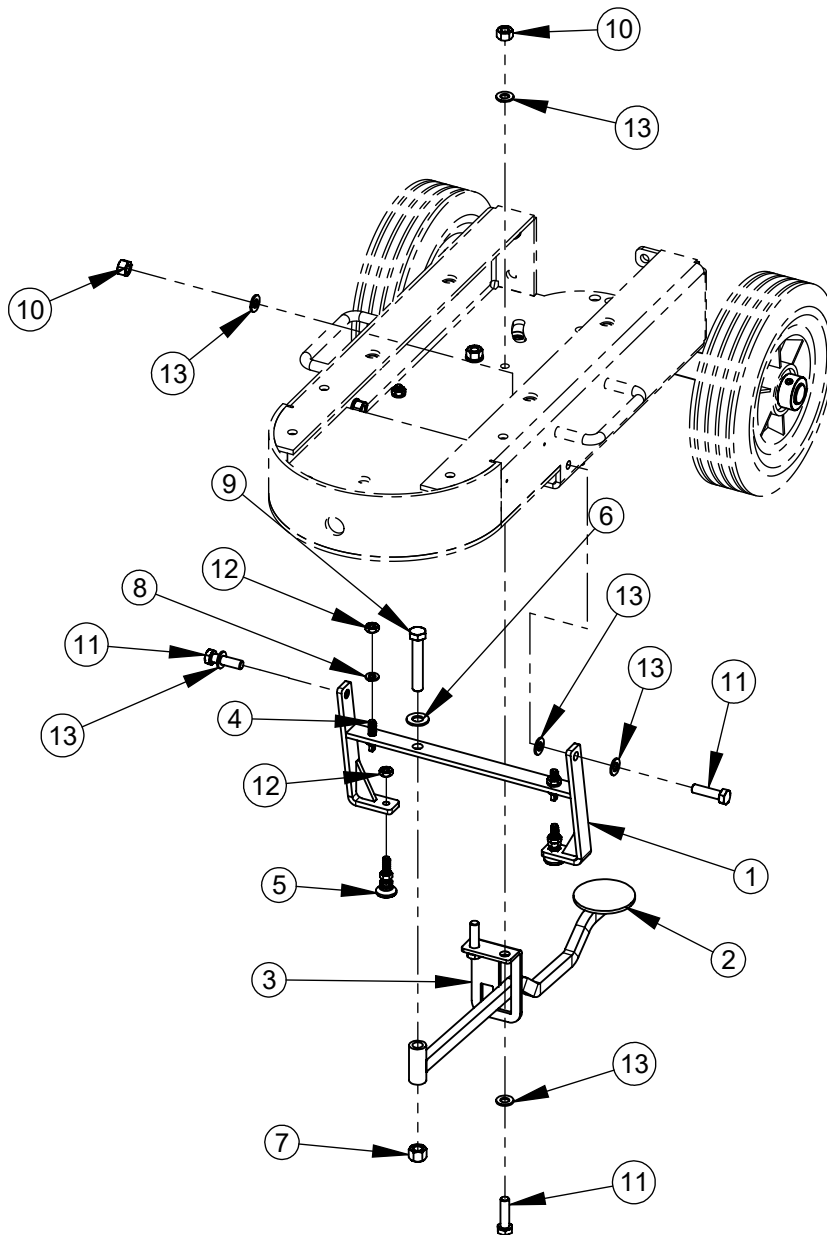
| ITEM | PART NO. | QTY. | DESCRIPTION |
|------|----------|------|-----------------------------------|
| 1 | 2600271 | 1 | Motor, 2HP-1PH Baldor |
| 2 | 2800043 | 2 | Connector, 3/4" Cord |
| 3 | 6040347 | 1 | 12/3 Cord W/ 20Amp L5-20P Plug |
| 4 | 2800309 | 1 | Switch Box Lid W/Gaskets & Screws |
| 5 | 2800087 | 1 | Plug, Nema L5-20P, 125VAC-20Amp |
| 6 | 2803200 | 1 | Motor Reset Switch |

FRAME ASSEMBLY: 6040821



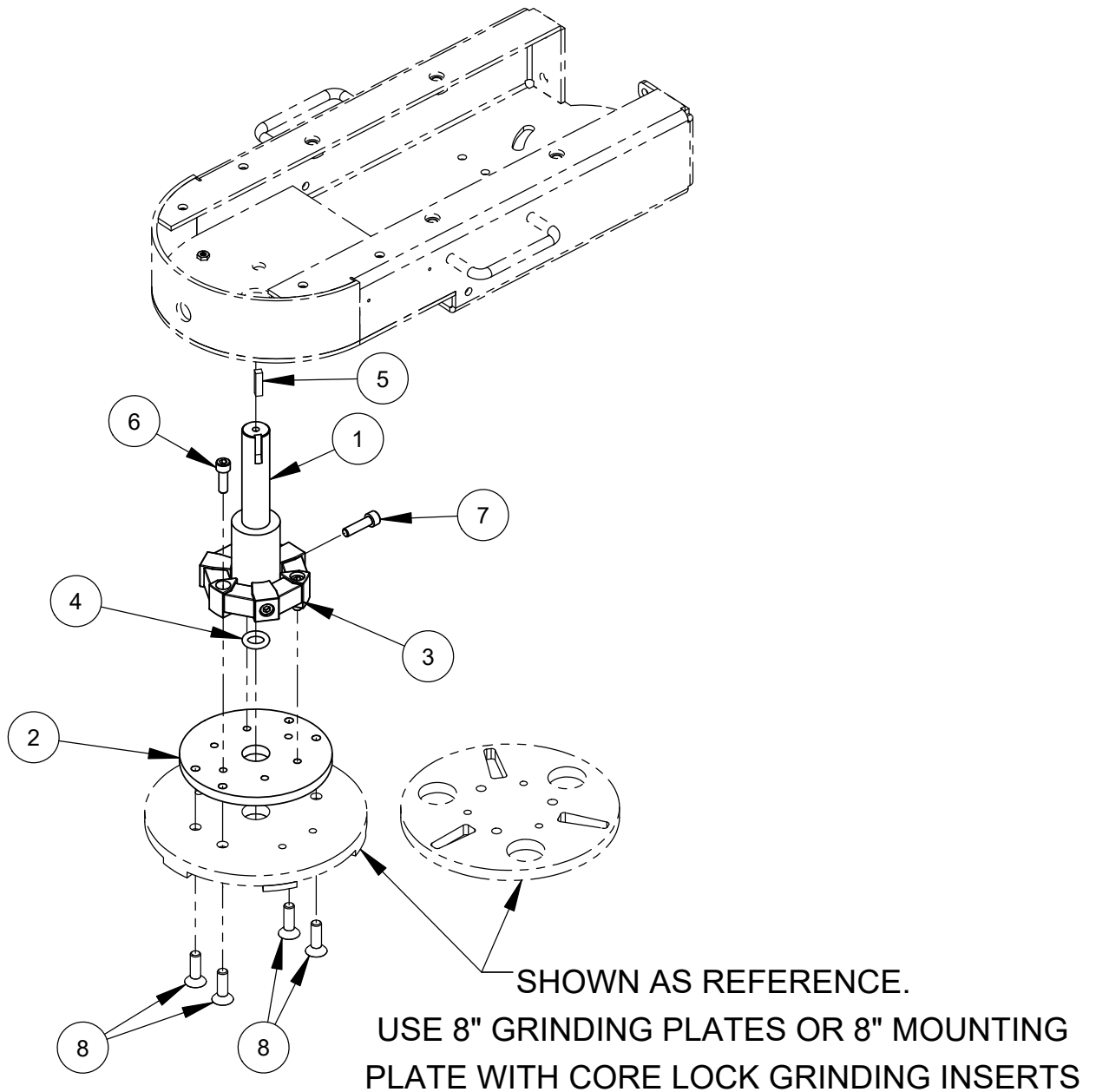
| ITEM | PART NO. | QTY. | DESCRIPTION |
|------|----------|------|-------------------------------------|
| 1 | 6040828 | 1 | Frame Weldment |
| 2 | 6040299 | 1 | Water Hose Assembly |
| 3 | 6040533 | 1 | Pulley Shield |
| 4 | 6040536 | 2 | Handle Support |
| 5 | 6040542 | 1 | Rear Axle Weldment |
| 6 | 2400615 | 2 | Set Collar, 3/4" |
| 7 | 2501439 | 2 | Wheel, 8 x 2 x 3/4" |
| 8 | 2900005 | 3 | Cap Screw, Hex Hd., 3/8-16 x 1" |
| 9 | 2900014 | 11 | Flat Washer, 3/8" SAE |
| 10 | 2900018 | 4 | Locknut, 3/8-16, Nylon |
| 11 | 2900020 | 4 | Cap Screw, Flat Hd., 1/4-20 x 3/4" |
| 12 | 2900079 | 4 | Cap Screw, Hex Hd., 3/8-16 x 2-1/4" |
| 13 | 2900500 | 1 | Thumb Screw, 3/8-16 x 1" |

FRAME LIFT ASSEMBLY #6030459



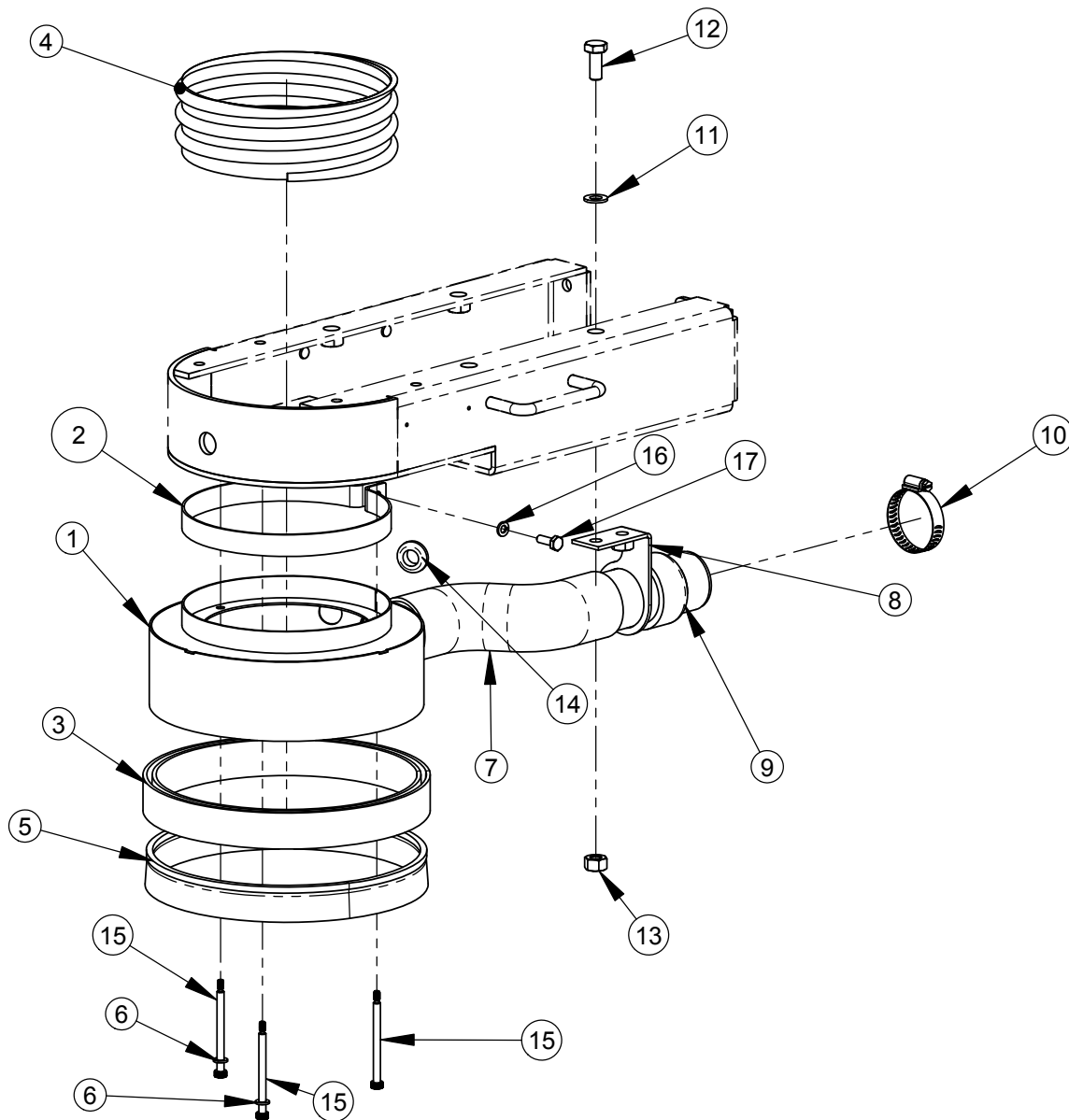
| ITEM | PART NO. | QTY. | DESCRIPTION |
|------|----------|------|-------------------------------------|
| 1 | 6041380 | 1 | Kick Stand Weldment |
| 2 | 6041381 | 1 | Foot Pedal Weldment |
| 3 | 6041382 | 1 | Kick Stand Bracket |
| 4 | 2504972 | 4 | 1/4-20 X 1-1/4" Spring Anchor |
| 5 | 2505376 | 2 | 1/4" Leveling Mount |
| 6 | 2900014 | 1 | Flat Washer, 3/8" SAE |
| 7 | 2900018 | 1 | Locknut, 3/8-16, Nylon |
| 8 | 2900024 | 4 | Lock Washer, 1/4" Split |
| 9 | 2900079 | 1 | Cap Screw, Hex Hd., 3/8-16 x 2-1/4" |
| 10 | 2900303 | 4 | Lock Nut, M8-1.25 Nylon Insert |
| 11 | 2900313 | 4 | Cap Screw, Hex Hd., M8-1.25 x 30mm |
| 12 | 2900358 | 10 | Jam Nut, 1/4-20 |
| 13 | 2901336 | 10 | Flat Washer, M8 |

FLEX COUPLING ASSEMBLY #6040822



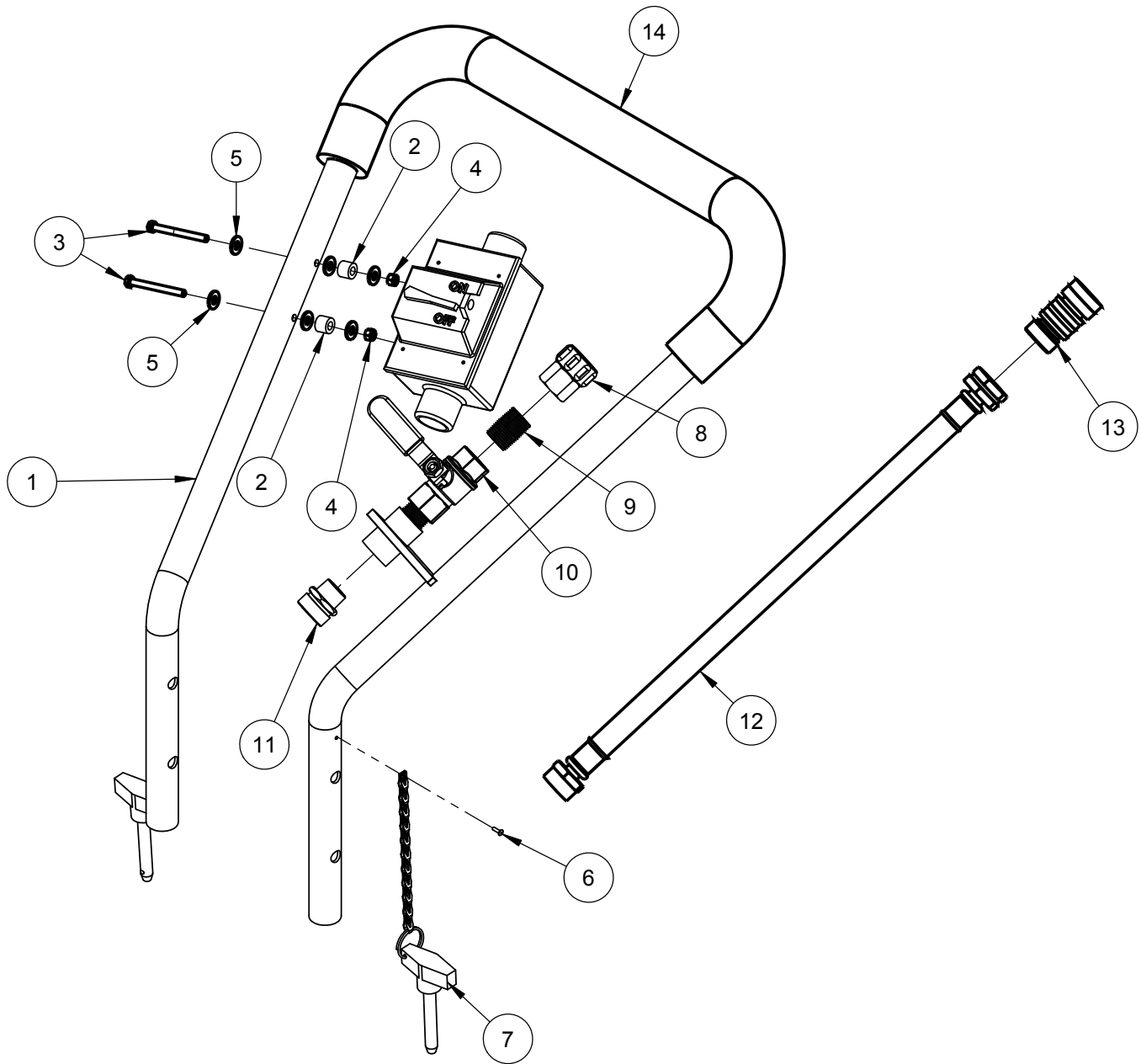
| ITEM | PART NO. | QTY. | DESCRIPTION |
|------|----------|------|--------------------------------------|
| 1 | 6041373 | 1 | Shaft, Grinding Head |
| 2 | 6040832 | 1 | Disk Mounting Flange |
| 3 | 2503196 | 1 | Flex Coupling |
| 4 | 2503195 | 1 | O-Ring, Metric M5 x 15mm |
| 5 | 6011089 | 1 | Key, 1/4" Sq. x 1" Long |
| 6 | 2900161 | 3 | Cap Screw, Soc. Hd., M8-1.25 x 25mm |
| 7 | 2900911 | 3 | Cap Screw, Soc. Hd.. M8-1.25 x 30mm |
| 8 | 2900230 | 4 | Cap Screw, Flat Hd., 3/8-16 x 1-1/4" |

DUST GUARD ASSEMBLY #6041371



| ITEM | PART NO. | QTY. | DESCRIPTION |
|------|----------|------|------------------------------------|
| 1 | 6040829 | 1 | Dust Guard |
| 2 | 6040911 | 1 | Hose Ring 7" |
| 3 | 6040904 | 1 | Strip Brush Holder |
| 4 | 6041193 | 1 | Flexible Hose, 7" ID x 2.5" Long |
| 5 | 6040905 | 2 | Strip Brush |
| 6 | 2901494 | 3 | Flat Washer, M6 |
| 7 | 6040339 | 1 | Hose, 2" ID, 8.5" Long |
| 8 | 6040537 | 1 | Dust Port Bracket |
| 9 | 2503177 | 1 | Hose Reducer, 2.0"-1.5" ID |
| 10 | 3200095 | 1 | Hose Clamp #32 |
| 11 | 2901356 | 2 | Flat Washer, M10 |
| 12 | 2900333 | 2 | Cap Screw, Hex Hd., M10-1.5 x 25mm |
| 13 | 2900304 | 2 | Lock Nut, M10-1.5 Nylon Insert |
| 14 | 2505182 | 1 | Grommet, 9/16" ID |
| 15 | 2902198 | 3 | M6 x 70MM Shoulder Bolt (M5-0.8mm) |
| 16 | 2900024 | 1 | Lock Washer, 1/4" Split |
| 17 | 2900144 | 1 | Cap Screw, Hex Hd., 1/4-20 x 3/4" |

HANDLE ASSEMBLY: 6040343



| ITEM | PART NO. | QTY. | DESCRIPTION |
|------|----------|------|--|
| 1 | 6040538 | 1 | Handle Weldment |
| 2 | 6041062 | 2 | Throttle Spacer |
| 3 | 2900597 | 2 | Cap Screw, Hex Hd., M5 x 50mm |
| 4 | 2900301 | 2 | Lock Nut, M5 Nylon |
| 5 | 2900016 | 6 | Flat Washer, #10 USS |
| 6 | 2900053 | 2 | Rivet, 3/32" Dia. |
| 7 | 2900257 | 2 | Lock Pin, T Handle, 3/8" |
| 8 | 3200022 | 1 | Fitting, 1/2" F. Pipe to 3/4" F. Garden |
| 9 | 3200008 | 2 | Close Nipple, 1/2" NPT |
| 10 | 3200027 | 1 | Water Valve |
| 11 | 3200155 | 1 | Fitting, 1/2" M. Pipe to 3/4" M. Garden |
| 12 | 6048918 | 1 | Hose Assy., 1/2 x 18-1/2", Water |
| 13 | 3201876 | 1 | 3/4" M. Garden to 3/4" F. Garden (QD type) |
| 14 | 6040521 | 1 | Foam grip |

DECAL GROUP

CORE PREP DECAL
#1802900 (QTY. 1)



WARNING UNPLUG
POWER DECAL
#1801075 (QTY.1)



GREASE OFTEN DECAL
#1800504 (QTY.1)

WARNING DECAL
#1800001 (QTY. 1)

EQUIPMENT AND PARTS WARRANTY

Diamond Products warrants all equipment manufactured by it against defects in workmanship or materials for a period of one (1) year from the date of shipment to Customer.

The responsibility of Diamond Products under this Warranty is limited to replacement or repair of defective parts at Diamond Products' Elyria, Ohio factory, or at a point designated by it, of such parts as shall appear to us upon inspection at such parts, to have been defective in material or workmanship, with expense for transportation and labor borne by Customer.

In no event shall Diamond Products be liable for consequential or incidental damages arising out of the failure of any Product to operate properly.

Integral units such as engines, electric motors, batteries, transmissions, etc., are excluded from this Warranty and are subject to the prime manufacturer's warranty.

THIS WARRANTY IS IN LIEU OF ALL OTHER WARRANTIES, EXPRESSED OR IMPLIED, AND ALL SUCH OTHER WARRANTIES ARE HEREBY DISCLAIMED.



333 Prospect Street, Elyria, Ohio 44035
(440) 323-4616 • (800) 321-5336 • Fax (800) 634-4035
www.diamondproducts.com