



**CORE CUT
PARTS LIST**

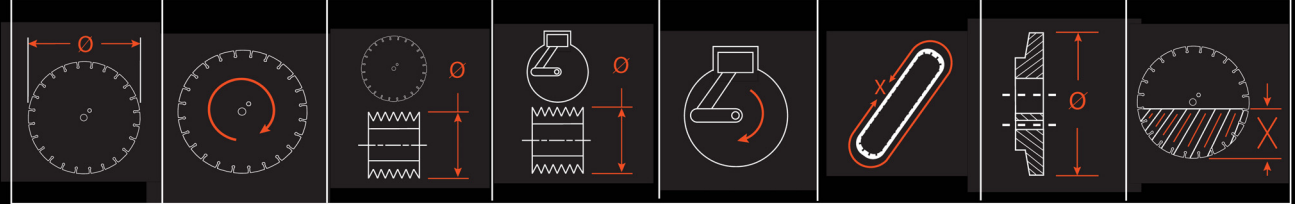
CC9074DKV

MARCH 2023

Part #: 1802751-1

CC9074D DEEP CUT RPM CHART

BLADE SIZE	BLADE RPM	JACKSHAFT SHEAVE	ENGINE SHEAVE	ENGINE RPM	BELT SIZE	FLANGE SIZE	MAX CUT DEPTH
36"	1,400	5.00"	4.00"	2,600	3VX600	6"	15"
42"	1,150	6.00"	4.00"	2,600	3VX616	7"	17-1/2"
48"	1,000	6.90"	4.00"	2,600	3VX630	8"	20"
54"	870	8.00"	4.00"	2,600	3VX650	9"	22-1/2"
60"	800	8.00"	4.00"	2,400	3VX650	10"	25"



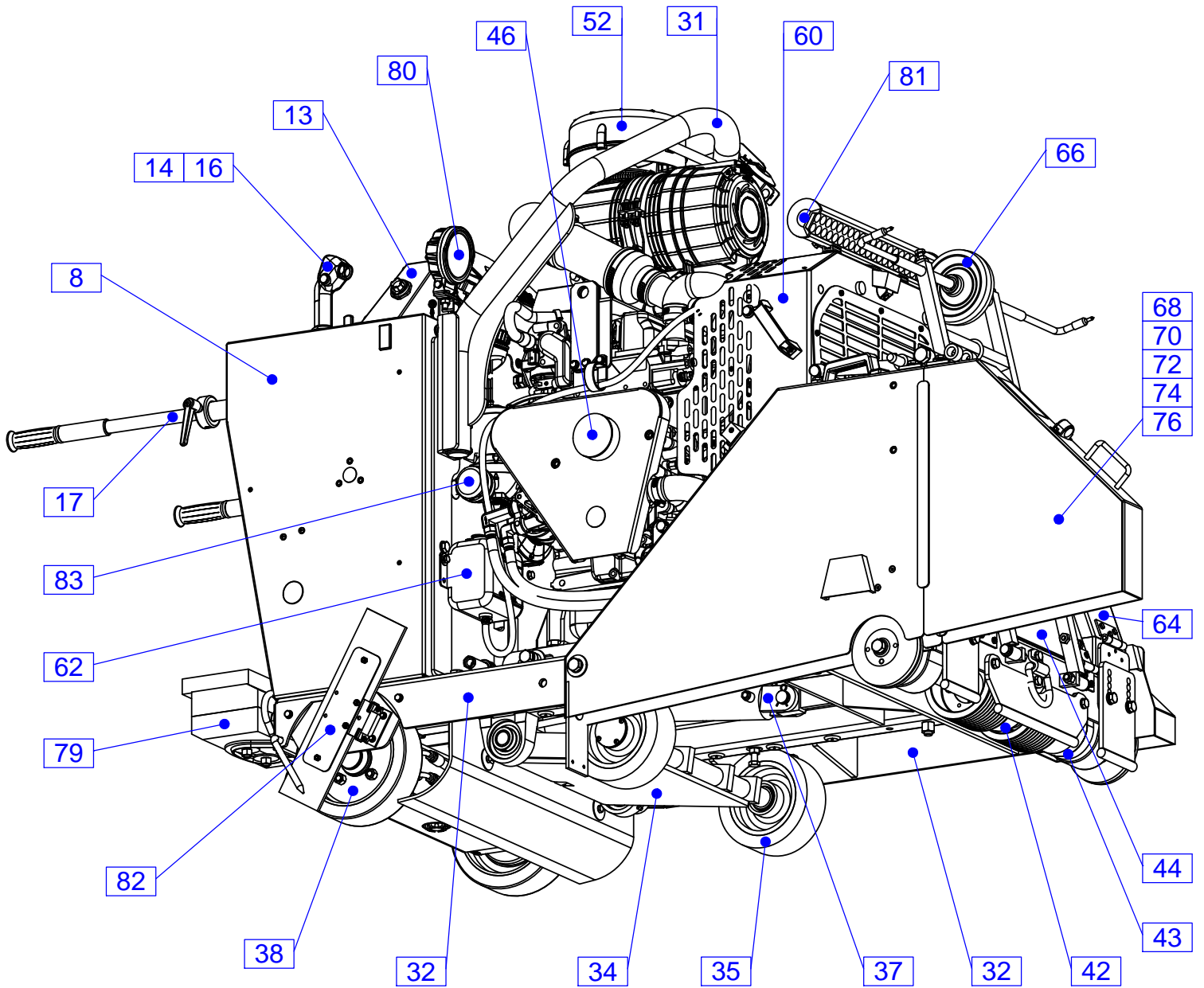
⚠ WARNING ⚠

The engine exhaust from this product contains chemicals known to the State of California to cause cancer, birth defects or other reproductive harm.

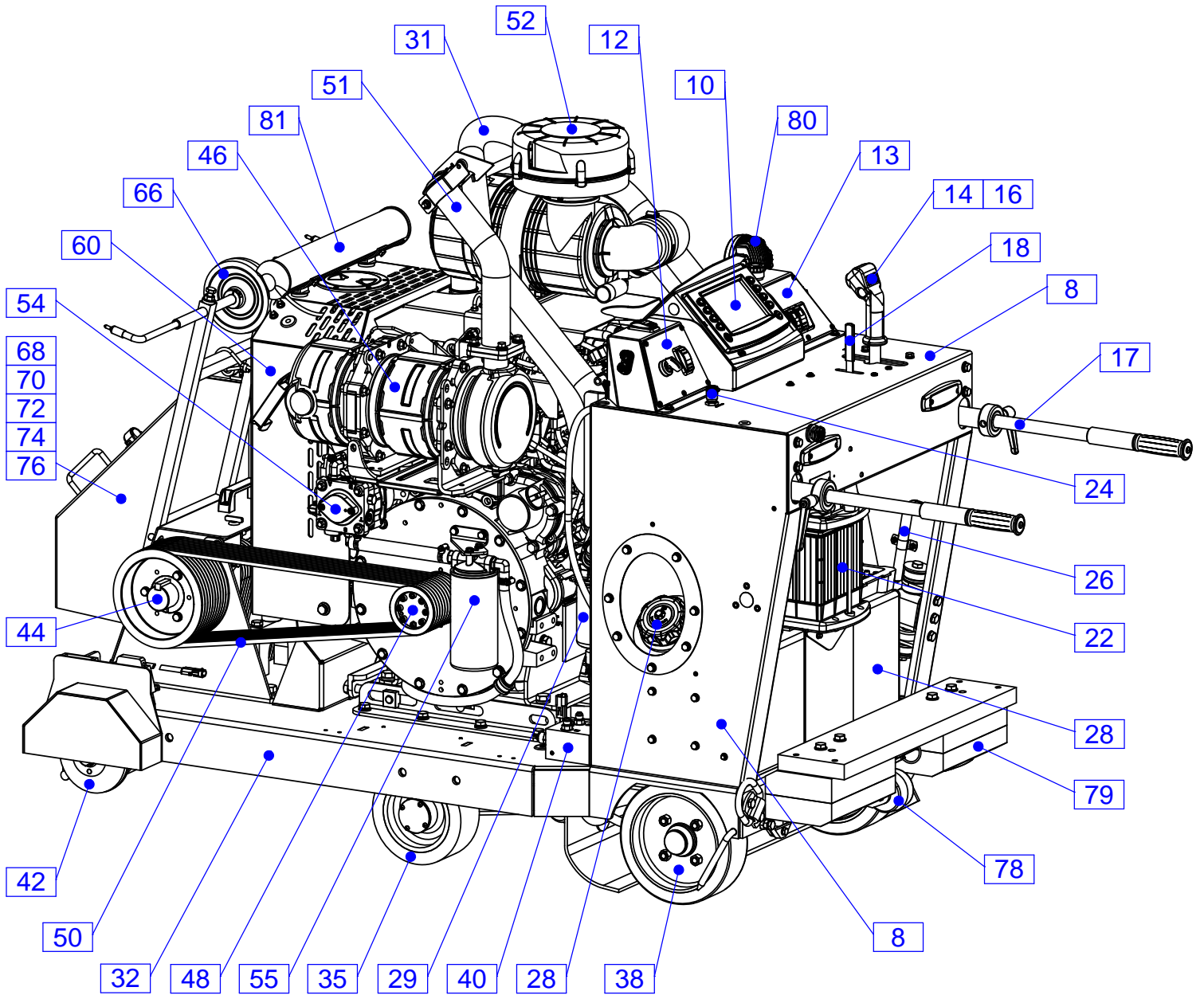
Table of Contents

Pictorial Index.....	4,5	Jackshaft Assembly.....	44,45
Controls Legend.....	6	Engine Assembly.....	46,47
Quick Reference Service Filters / Belts.....	7	PTO Assembly.....	48,49
Frame Upright Assembly.....	8,9	Belt Drive Assembly.....	50
Display Dash Assembly.....	10,11	Exhaust Pipe Assembly.....	51
Control Box Assembly.....	12	Air Intake Assembly.....	52,53
Switch Box Assembly.....	13	Hydro Pump Assembly.....	54
Speed Control Lever Assembly.....	14,15	Reservoir Tank Assembly.....	55
Control Grip Assembly.....	16	Oil Cooler Assembly.....	56
Handle Bar Assembly.....	17	Fan Drive Assembly.....	57
Water Supply Assembly.....	18,19	Radiator Assembly.....	58,59
ECU Assembly.....	20	Radiator Shroud Assembly.....	60,61
Power Block Assembly.....	21	Coolant Tank Assembly.....	62
Battery Assembly.....	22,23	Breaker Panel Assembly.....	63
Hydraulic Lift Pump Assembly.....	24	Belt Guard Assembly.....	64,65
Rear Cover Screen Assembly.....	25	Dual Front Pointer Assembly.....	66
Tool Holder Assembly.....	26	Guard Post Assembly.....	67
Rope Recoil Assembly.....	27	36" Blade Guard Assembly.....	68,69
Fuel Tank Assembly.....	28	42" Blade Guard Assembly.....	70,71
Fuel Supply Assembly.....	29	48" Blade Guard Assembly.....	72,73
Fuel Cooler Assembly.....	30	54" Blade Guard Assembly.....	74,75
Frame Lift Assembly.....	31	60" Blade Guard Assembly.....	76,77
Frame Base Assembly.....	32,33	Bogie Wheel Assembly.....	78
Front Axle Assembly.....	34	Weight Kit.....	79
Front Wheel Assembly.....	35	LED Spot Light Assembly.....	80
Rotary Sensor Assembly.....	36	LED Light Bar Assembly.....	81
Hydraulic Cylinder Assembly.....	37	Slurry Shield Assembly.....	82
Rear Axle Assembly.....	38,39	Water Pump Assembly.....	83
Valve Block Assembly.....	40	Decal Group.....	84
Belt Tensioner Assembly.....	41	Notes.....	85,86
Blade Shaft Assembly.....	42	Blade Speed Conversion Charts.....	87
Shaft Tach Gear Assembly.....	43	Warranty.....	88

Pictorial Page Index



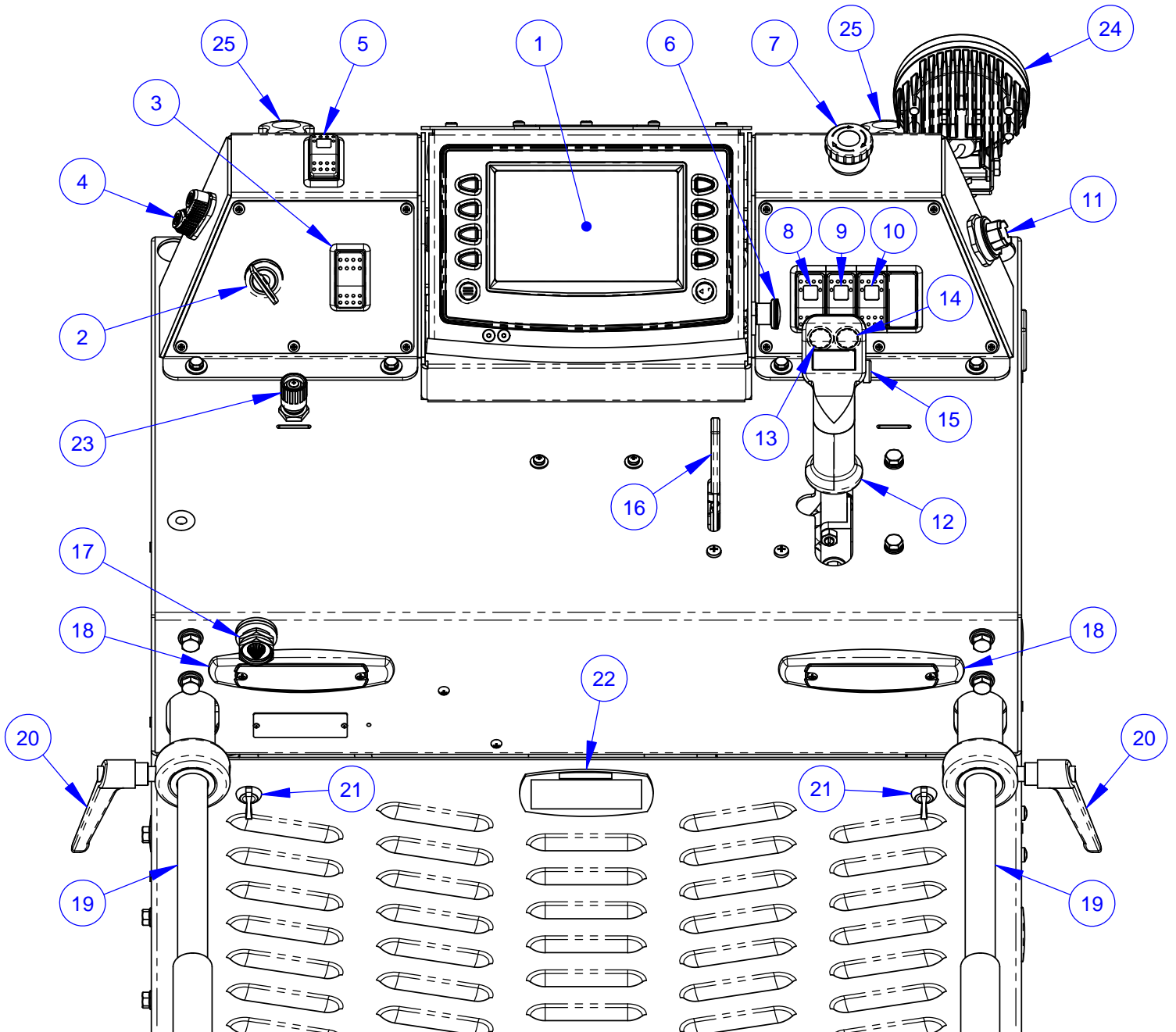
Pictorial Page Index



Controls Legend

1	Engine Display Panel
2	Ignition Switch
3	Engine Throttle Rocker Switch
4	Pointer Rope Cleat
5	Free Wheel Rocker Switch
6	Panel Lock Spring Plunger
7	Emergency Stop Button
8	LED Spot Light Rocker Switch
9	LED Light Bar Rocker Switch
10	Water Pump Switch (Optional)
11	USB Port
12	Travel Speed Control Lever

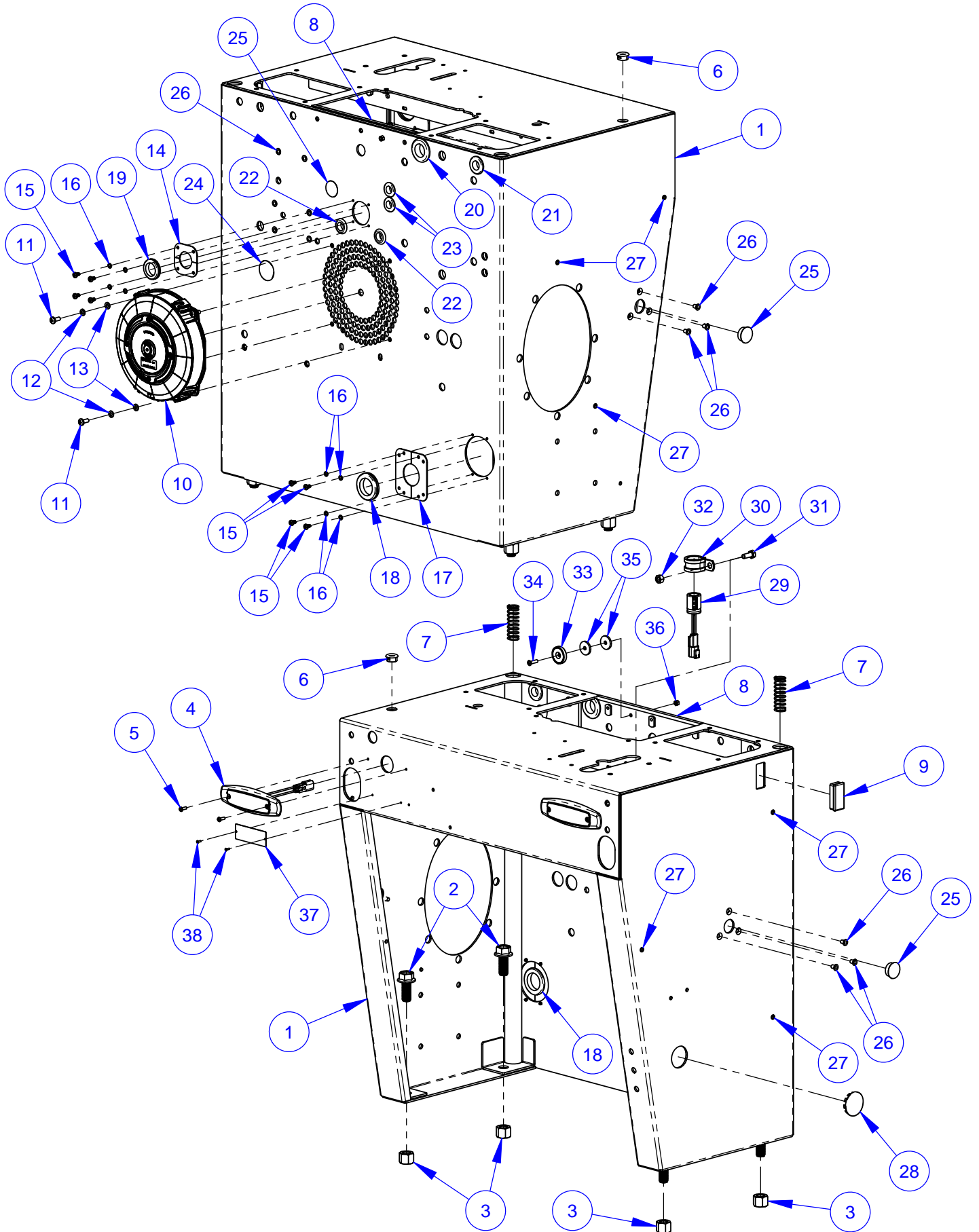
13	Saw Raise Push Button
14	Saw Lower Push Button
15	Tilt Handle Bar Push Button
16	Water On/Off Control Valve
17	Water Inlet Attachment Fitting
18	LED Marker Light
19	Adjustable Handle Bar
20	Handle Bar Lock Lever
21	Rear Cover Screen Latch
22	Rear Cover Screen Pull Handle
23	Lowering Speed Control Valve
24	LED Spot Light
25	Spot Light Adjustment Knob



Quick Reference Service Filters / Belts / Fluids

DP Part No.	Description	Manufacturer's Part No.
2702630	Engine Oil Filter	Kubota #HH1CO-32430
2705215	Engine Fuel Filter	Kubota #1G390-43170
2705214	Water Separator Filter	Kubota #1J430-43060
2501352	Outer Primary Air Filter	Donaldson #P828889
2501353	Inner Safety Air Filter	Donaldson #P829333
3201971	Hydraulic Oil Filter	Zinga #AE-10L
2506132	Engine to Jackshaft Belt (Set of 10)	Gates #3VX600K
2506133	Engine to Jackshaft Belt (Set of 10)	Gates #3VX616K
2506134	Engine to Jackshaft Belt (Set of 10)	Gates #3VX630K
2506135	Engine to Jackshaft Belt (Set of 10)	Gates #3VX650K
2504575	Jackshaft to Blade Shaft Belt (Set of 10)	Gates #3VX425K
2500468	Engine Oil (12 Quarts)	SAE 15W-40 (API CJ-4)
2503719	Engine Coolant (3 Gallons)	Antifreeze (Pre-mixed)
2500468	Lift Pump Fluid (2 Quarts)	SAE 15W-40
2500468	Wheel Motors / Pump Fluid (2 Quarts)	SAE 15W-40

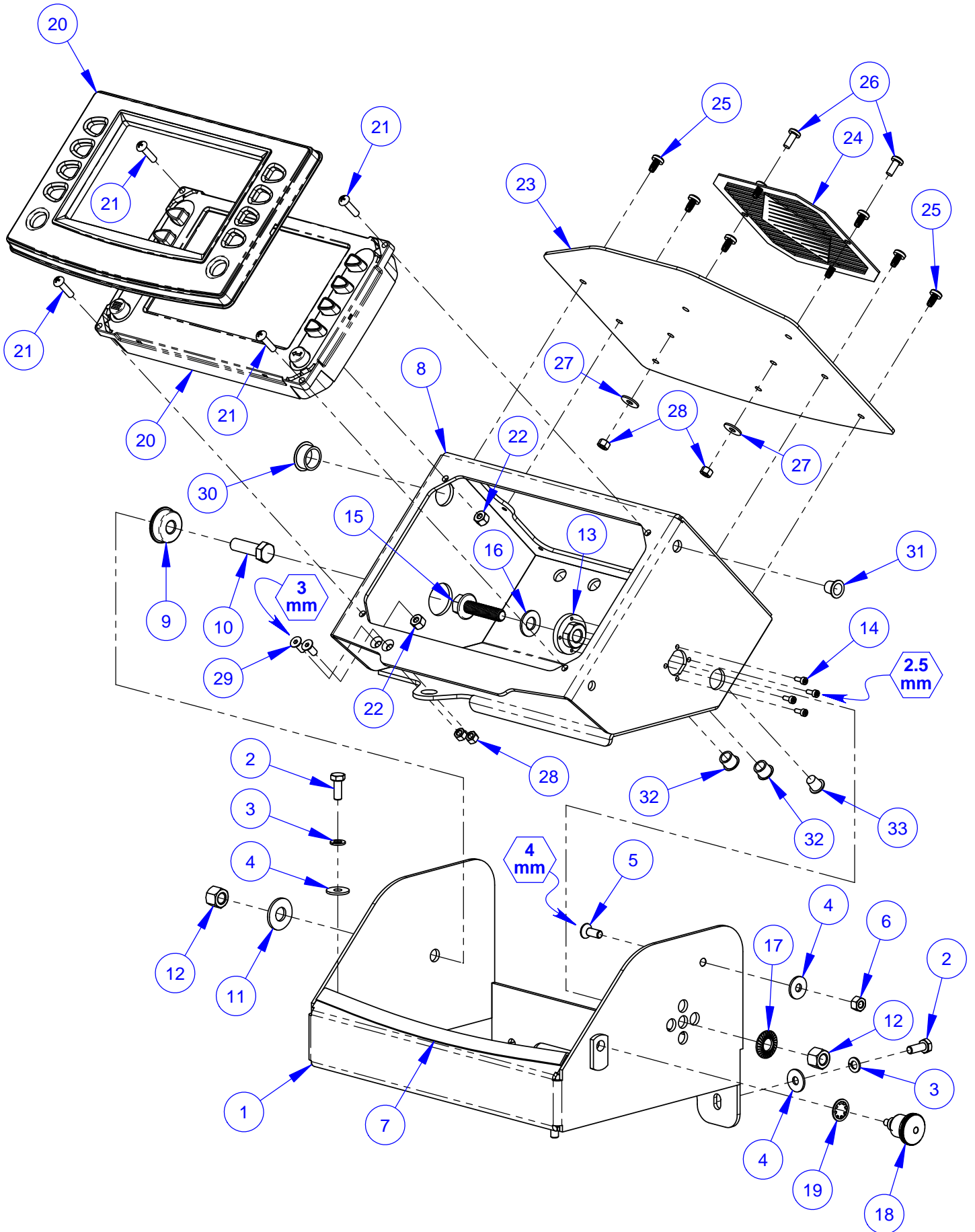
Frame Upright Assembly #6016020



Frame Upright Assembly #6016020

ITEM	PART NO.	QTY.	DESCRIPTION
1	6016160	1	Frame Upright
2	2900164	4	Cap Screw, Flange Hd., 5/8-11 x 1-1/2"
3	2900135	4	Lock Nut, 5/8-11 Nylon
4	6016222	2	Marker Lamp (Red)
5	2900838	4	Machine Screw, Pan Hd., #8-32 x 1/2"
6	2506084	1	Snap Bushing, 3/4" Hole
7	2506142	2	Spring, Compression
8	6016231	1	Edge Trim 10-5/8"
9	2506137	1	Plug, 1" x 2"
10	2600696	1	Fan, 12V Electric 7-1/2"
11	2901368	4	Machine Screw, Pan Hd., M6-1.0 x 16mm
12	2900765	4	Lock Washer, M6 Split
13	2901494	4	Flat Washer, M6
14	6019271	2	Split Grommet Plate
15	2900021	8	Tap Screw, Pan Hd., #10-24 x 3/8"
16	2900038	8	Lock Washer, #10 Split
17	6017480	2	Split Grommet Plate
18	2506049	1	Grommet, 1-5/16" I.D.
19	2506040	1	Grommet, 1" I.D.
20	2504455	1	Grommet, 1" I.D.
21	2508018	1	Grommet, 11/16" I.D.
22	2508013	2	Grommet, 5/8" I.D.
23	2503712	2	Grommet, 9/16" I.D.
24	2506087	1	Plug, 1-3/8" Hole
25	2500489	3	Plug, 1" Hole
26	2503744	12	Plug, 1/4" Hole (Tapered)
27	2500652	6	Plug, M6 Hole
28	2506097	1	Plug, 1-5/8" Hole
29	6016260	1	Capacitor with Connector
30	3201729	1	Hose Clamp, 1" x 3/4" Wide
31	2900329	1	Cap Screw, Hex Hd., M8-1.25 x 20mm
32	2900303	1	Lock Nut, M8-1.25 Nylon Insert
33	2506114	1	Magnet, Encased
34	2901364	1	Machine Screw, Oval Hd., M5-0.8 x 20mm
35	2902124	2	Rubber Cushion Washer
36	2900301	1	Lock Nut, M5-0.8 Nylon Insert
37	1800169	1	Serial Number Plate, US
38	2900096	2	Rivet, 3/32" Dia.

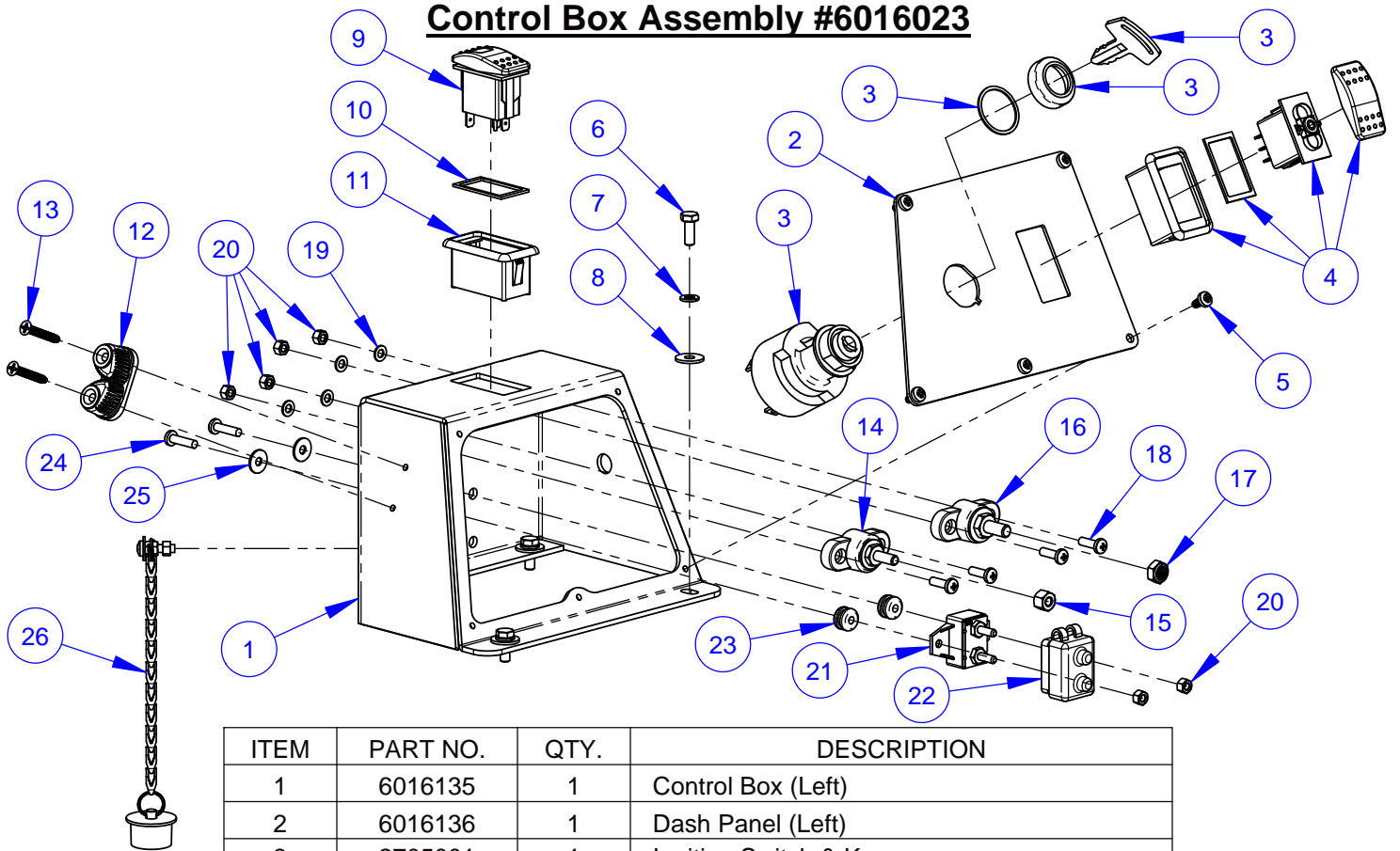
Display Dash Assembly #6016073



Display Dash Assembly #6016073

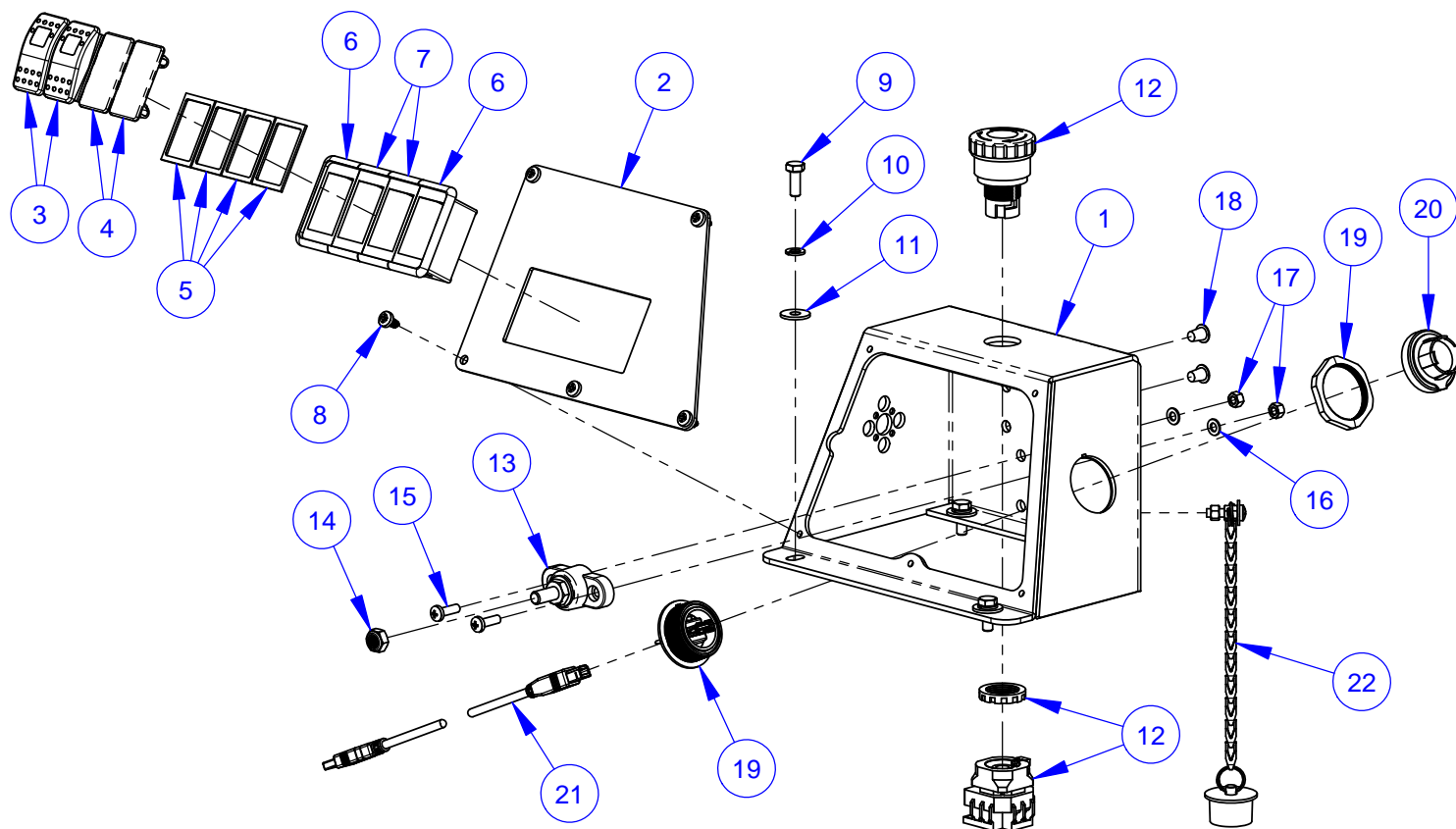
ITEM	PART NO.	QTY.	DESCRIPTION
1	6016130	1	Center Console
2	2900341	5	Cap Screw, Hex Hd., M6-1.0 x 16mm
3	2900765	5	Lock Washer, M6 Split
4	2901359	6	Fender Washer, M6
5	2900308	1	Cap Screw, Flat Hd., M6-1.0 x 16mm
6	2900302	1	Lock Nut, M6-1.0 Nylon Insert
7	6016259	1	Edge Trim 10-5/8"
8	6016131	1	Display Box
9	2500145	1	Flange Bearing, 3/8"
10	2900013	1	Cap Screw, Hex Hd., 3/8-16 x 1-1/4"
11	2900473	1	Flat Washer, 3/8" USS
12	2900018	2	Locknut, 3/8-16, Nylon
13	6016192	1	Pivot Bushing
14	2901387	4	Cap Screw, Soc. Hd., M3-0.5 x 8mm
15	2901595	1	Cap Screw, Hex Flange Hd., 3/8-16 x 1-1/2"
16	2900014	1	Flat Washer, 3/8" SAE
17	2900474	1	Belleville Washer
18	2506113	1	Spring Plunger, Mini
19	2900254	1	Lock Washer, 3/8" Internal Tooth
20	2801540	1	Murphy 7" Display
	2801541	1	Display Bezel
21	2900093	4	Machine Screw, Rd. Hd., #10-24 x 3/4"
22	2900017	4	Lock Nut, #10-24 Nylon
23	6016132	1	Display Box Cover
24	6016138	1	Diamond Logo Emblem
25	2900021	8	Tap Screw, Pan Hd., #10-24 x 3/8"
26	2900794	2	Machine Screw, Pan Hd., M5-0.8 x 12mm
27	2900770	2	Fender Washer, M5
28	2900301	4	Lock Nut, M5-0.8 Nylon Insert
29	2901508	2	Cap Screw, Flat Hd., M5-0.8 x 12mm
30	2500463	1	Plug, 3/4" Hole
31	2503889	1	Plug, 3/8" Hole (Tapered)
32	2501287	2	Plug, 7/16" Hole
33	2503749	1	Plug, 5/16" Hole (Tapered)

Control Box Assembly #6016023



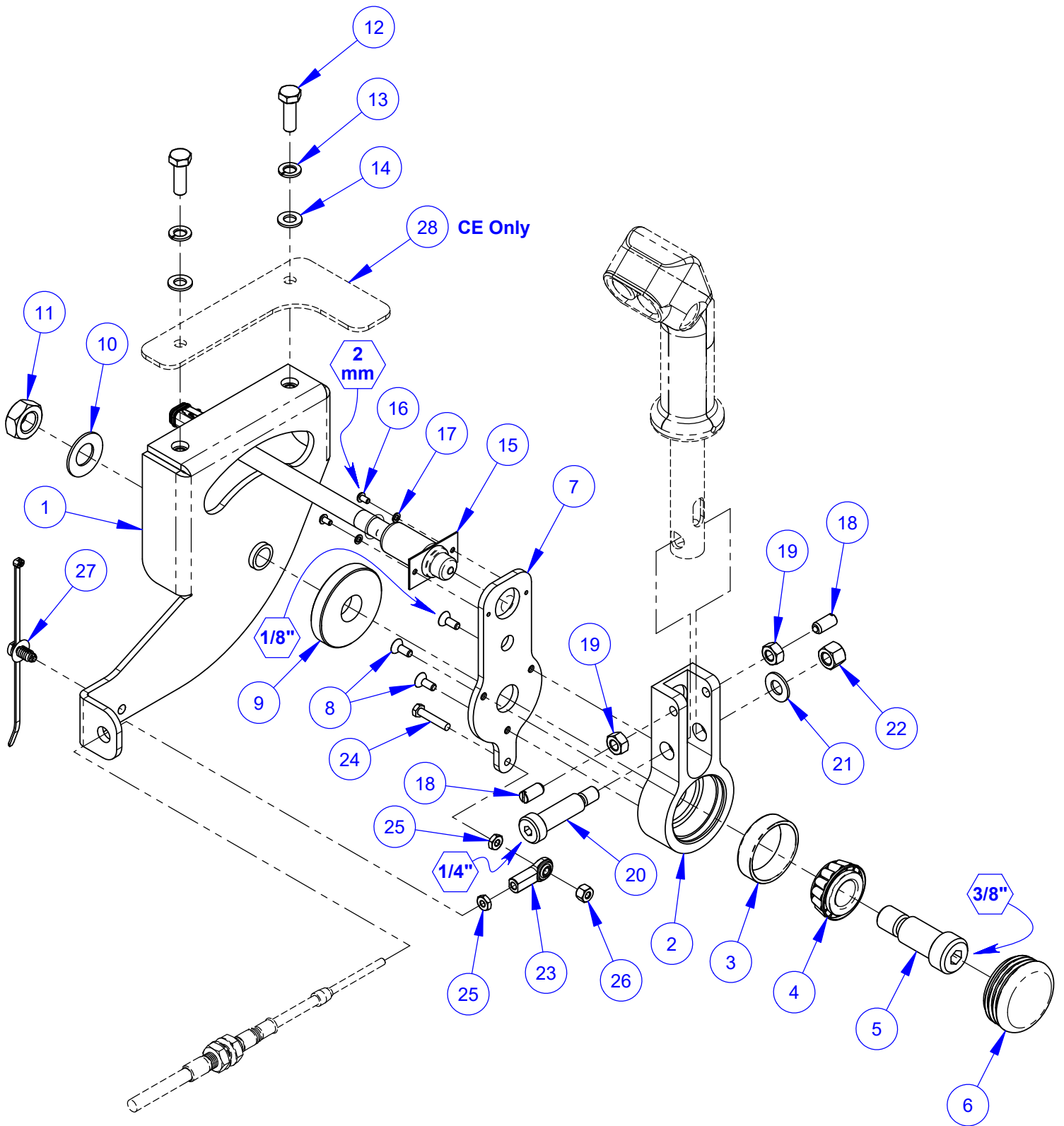
ITEM	PART NO.	QTY.	DESCRIPTION
1	6016135	1	Control Box (Left)
2	6016136	1	Dash Panel (Left)
3	2705001	1	Ignition Switch & Keys
	2705000	1	Ignition Keys Only (Pair)
4	6019158	1	Rocker Switch Assembly
5	2900021	5	Tap Screw, Pan Hd., #10-24 x 3/8"
6	2900341	4	Cap Screw, Hex Hd., M6-1.0 x 16mm
7	2900765	4	Lock Washer, M6 Split
8	2901359	4	Fender Washer, M6
9	2800808	1	Rocker Switch
10	2800261	1	Rocker Panel Gasket
11	2800260	1	Rocker Mount Panel
12	2501427	1	Rope Cleat
13	2900483	2	Tap Screw, Flat Hd., #10-24 x 1-1/4"
14	2801653	1	Power Stud Block (Red) 1/4-20
15	2900010	1	Lock Nut, 1/4-20 Nylon
16	2801544	1	Power Stud Block (Red) 5/16-18
17	2901884	1	Jam Locknut, 5/16-18" Nylon
18	2902122	4	Machine Screw, Pan Hd., M5-0.8 x 16mm
19	2900926	4	Flat Washer, M5
20	2900301	6	Lock Nut, M5-0.8 Nylon Insert
21	2801276	1	Circuit Breaker, 50 Amp
22	2800364	1	Circuit Breaker Boot
23	2506028	2	Grommet, 3/16" I.D.
24	2901377	2	Machine Screw, Pan Hd., M5-0.8 x 20mm
25	2900770	2	Fender Washer, M5
26	6016063	1	Plug Assembly

Switch Box Assembly #6016022



ITEM	PART NO.	QTY.	DESCRIPTION
1	6016133	1	Control Box (Right)
2	6016134	1	Dash Panel (Right)
3	2800808	2	Rocker Switch
4	2800262	2	Rocker Mount Panel Plug
5	2800261	4	Rocker Panel Gasket
6	2800615	2	Rocker Mount End Panel
7	2800616	2	Rocker Mount Middle Panel
8	2900021	5	Tap Screw, Pan Hd., #10-24 x 3/8"
9	2900341	4	Cap Screw, Hex Hd., M6-1.0 x 16mm
10	2900765	4	Lock Washer, M6 Split
11	2901359	4	Fender Washer, M6
12	2801367	1	E-Stop Switch
13	2801545	1	Ground Stud Block (Black) 5/16-18
14	2901884	1	Jam Locknut, 5/16-18" Nylon
15	2902122	2	Machine Screw, Pan Hd., M5-0.8 x 16mm
16	2900926	2	Flat Washer, M5
17	2900301	2	Lock Nut, M5-0.8 Nylon Insert
18	2503744	2	Plug, 1/4" Hole (Tapered)
19	2801527	1	USB Port Connector
20	2801528	1	USB Port Cap
21	2801658	1	USB Cable (A to B)
22	6016063	1	Plug Assembly

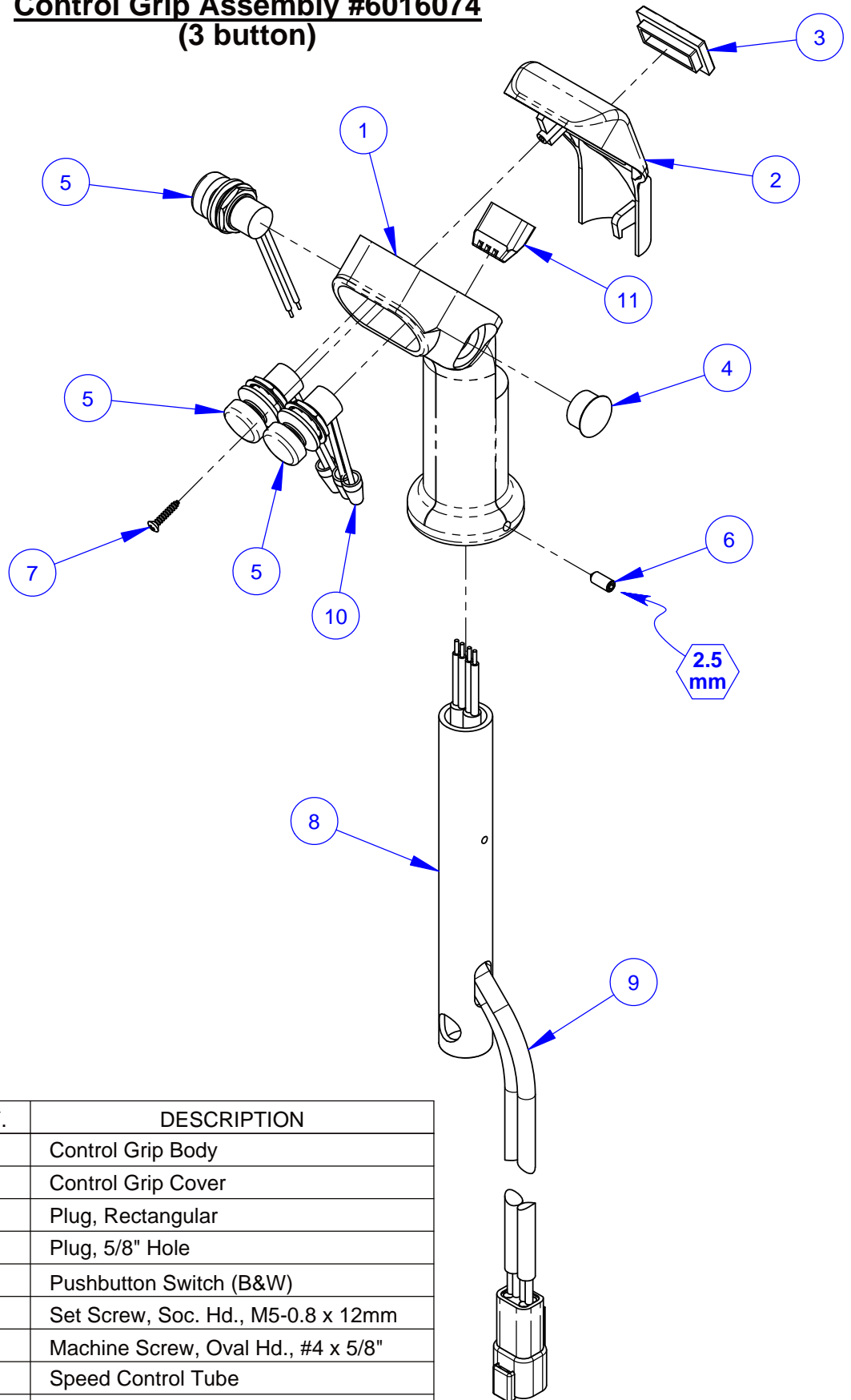
Speed Control Lever Assembly #6001022



Speed Control Lever Assembly #6001022

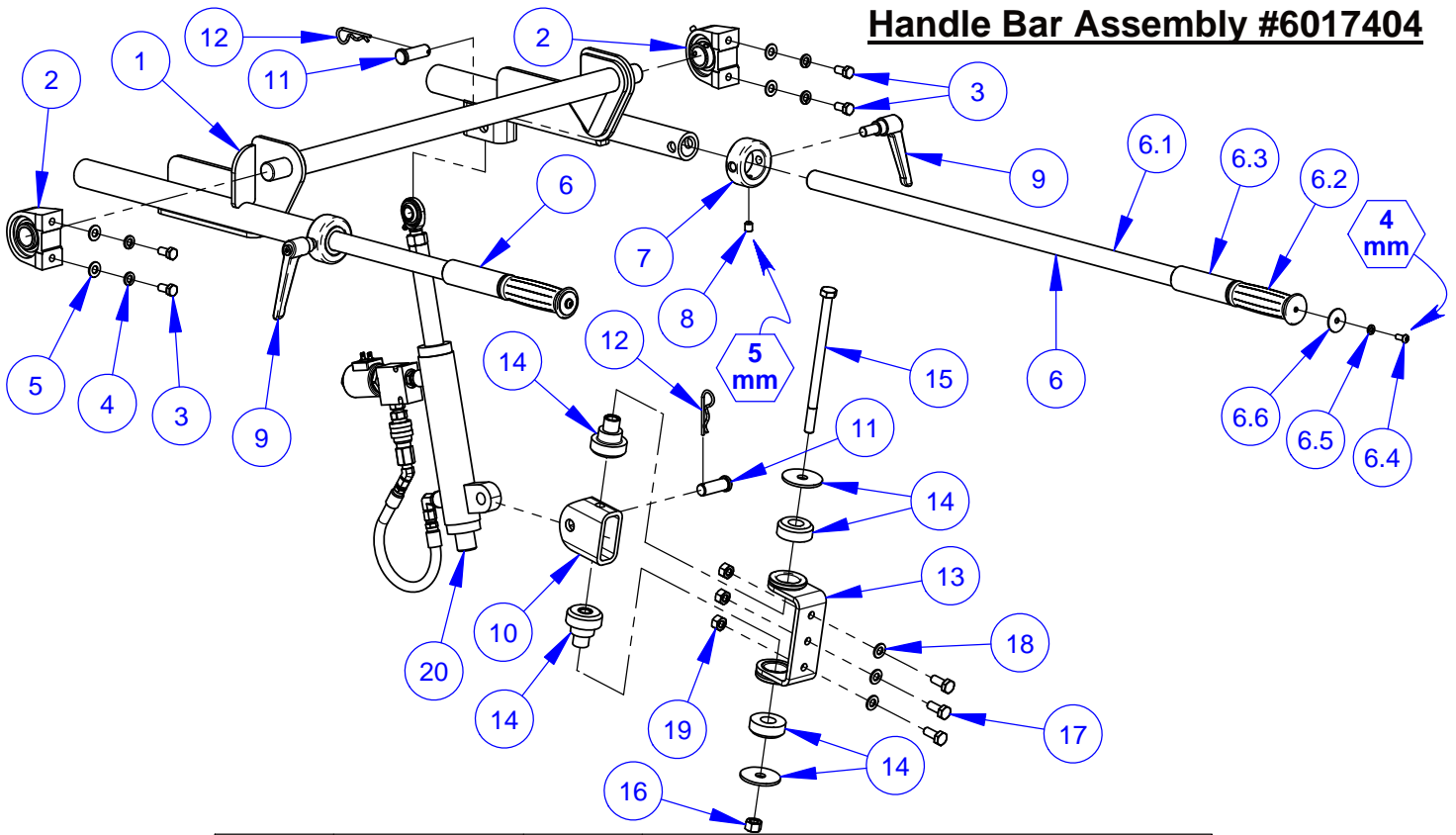
ITEM	PART NO.	QTY	DESCRIPTION
1	6017384	1	Speed Control Frame
2	6017023	1	Pivot Housing
3	2502384	1	Bearing Cup
4	2502383	1	Bearing Cone
5	2900825	1	Shoulder Screw, 3/4" x 1-1/4" (5/8-11)
6	2502385	1	Grease Cap
7	6001269	1	Swing Arm
8	2900978	3	Cap Screw, Flat Hd., #10-24 x 1/2"
9	6011234	1	Friction Disc, 3/4" x 2-1/4" x 3/8"
10	2900478	1	Belleville Washer, 5/8"
11	2900256	1	Jam Nut, 5/8-11
12	2900360	2	Cap Screw, Hex Hd., M8-1.25 x 25mm
13	2900763	2	Lock Washer, M8 Split
14	2901336	2	Flat Washer, M8
15	6017711	1	Neutral Switch Assembly
16	2907098	2	Cap Screw, Button Hd., #6-32 x 1/4"
17	2900092	2	Lock Washer, #6 Split
18	2502386	2	Spring Plunger M8
19	2900343	2	Hex Nut, M8-1.25
20	2900826	1	Shoulder Screw, 1/2" x 1-1/2" (3/8-16)
21	2900014	1	Flat Washer, 3/8" SAE
22	2900018	1	Locknut, 3/8-16, Nylon
23	2500791	1	Rod End, #10-32 Female
24	2900687	1	Machine Screw, Hex Hd., #10-32 x 1"
25	2900188	2	Hex Nut, #10-32
26	2900688	1	Lock Nut, #10-32 Nylon
27	2800916	1	Anchor Mount Zip Tie
28	6017319	1	Limiter Plate (CE)

Control Grip Assembly #6016074 (3 button)



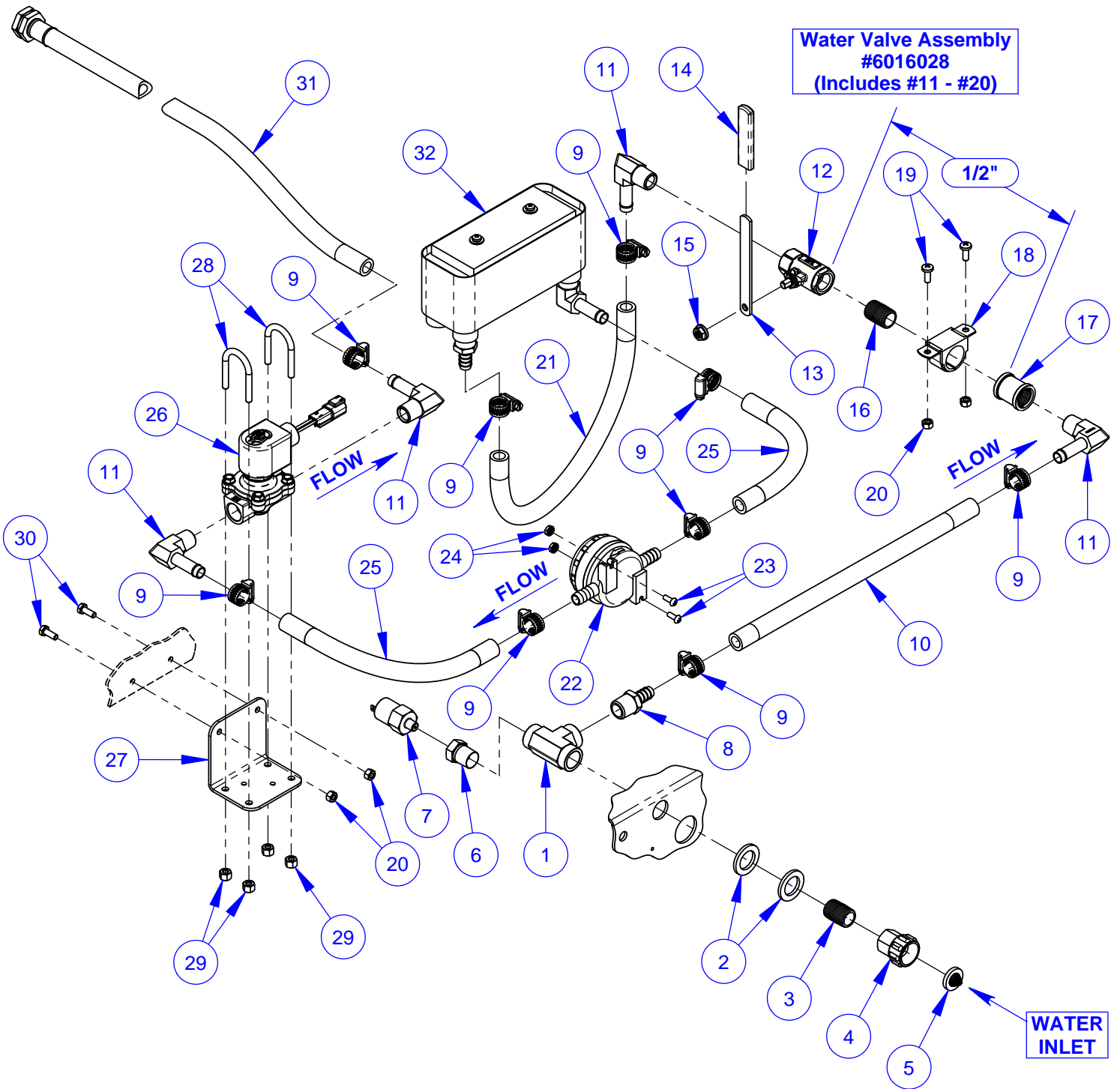
ITEM	PART NO.	QTY.	DESCRIPTION
1	2501280	1	Control Grip Body
2	2501281	1	Control Grip Cover
3	2500644	1	Plug, Rectangular
4	2500694	1	Plug, 5/8" Hole
5	2800373	3	Pushbutton Switch (B&W)
6	2900453	1	Set Screw, Soc. Hd., M5-0.8 x 12mm
7	2900452	1	Machine Screw, Oval Hd., #4 x 5/8"
8	6017025	1	Speed Control Tube
9	6016268	1	Control Grip Harness
10	2800002	3	Wire Nut (Grey)
11	2801494	1	Connector, 4 Port

Handle Bar Assembly #6017404



ITEM	PART NO.	QTY	DESCRIPTION
1	6017026	1	Handle Holder Frame
2	2500732	2	Pillow Block Bearing 1"
3	2900196	4	Cap Screw, Hex Hd., 3/8-16 x 3/4"
4	2900006	4	Lock Washer, 3/8" Split
5	2900014	4	Flat Washer, 3/8" SAE
6	6016065	2	Handle Bar Unit
6.1	6010014	1	Handle Bar, 36" Long
6.2	2500636	1	Handle Grip
6.3	2501955	1	Handle Stop Grip
6.4	2900863	1	Cap Screw, Button Hd., 1/4-20 x 5/8"
6.5	2900024	1	Lock Washer, 1/4" Split
6.6	2900083	1	Fender Washer, 1/4" x 1-1/4"
7	6017377	2	Lock Collar
8	2901341	2	Set Screw, Soc. Hd., M10-1.5 x 12mm
9	2502390	2	Adjustable Lever 1/2-13 x 1"
10	6017301	1	Isolator Mount Tube
11	2900828	2	Clevis Pin, 5/8" x 1-3/4"
12	2900829	2	Hairpin Cotter, 1/8" x 5/8" to 7/8"
13	6017302	1	Isolator Mount Bracket
14	2503789	2	Vibration Isolator
15	2901342	1	Cap Screw, Hex Hd., M12-1.75 x 200mm
16	2900327	1	Lock Nut, M12-1.75 Nylon Insert
17	2900333	3	Cap Screw, Hex Hd., M10-1.5 x 25mm
18	2901356	3	Flat Washer, M10
19	2900304	3	Lock Nut, M10-1.5 Nylon Insert
20	6017243	1	Double Rod Cylinder Assembly

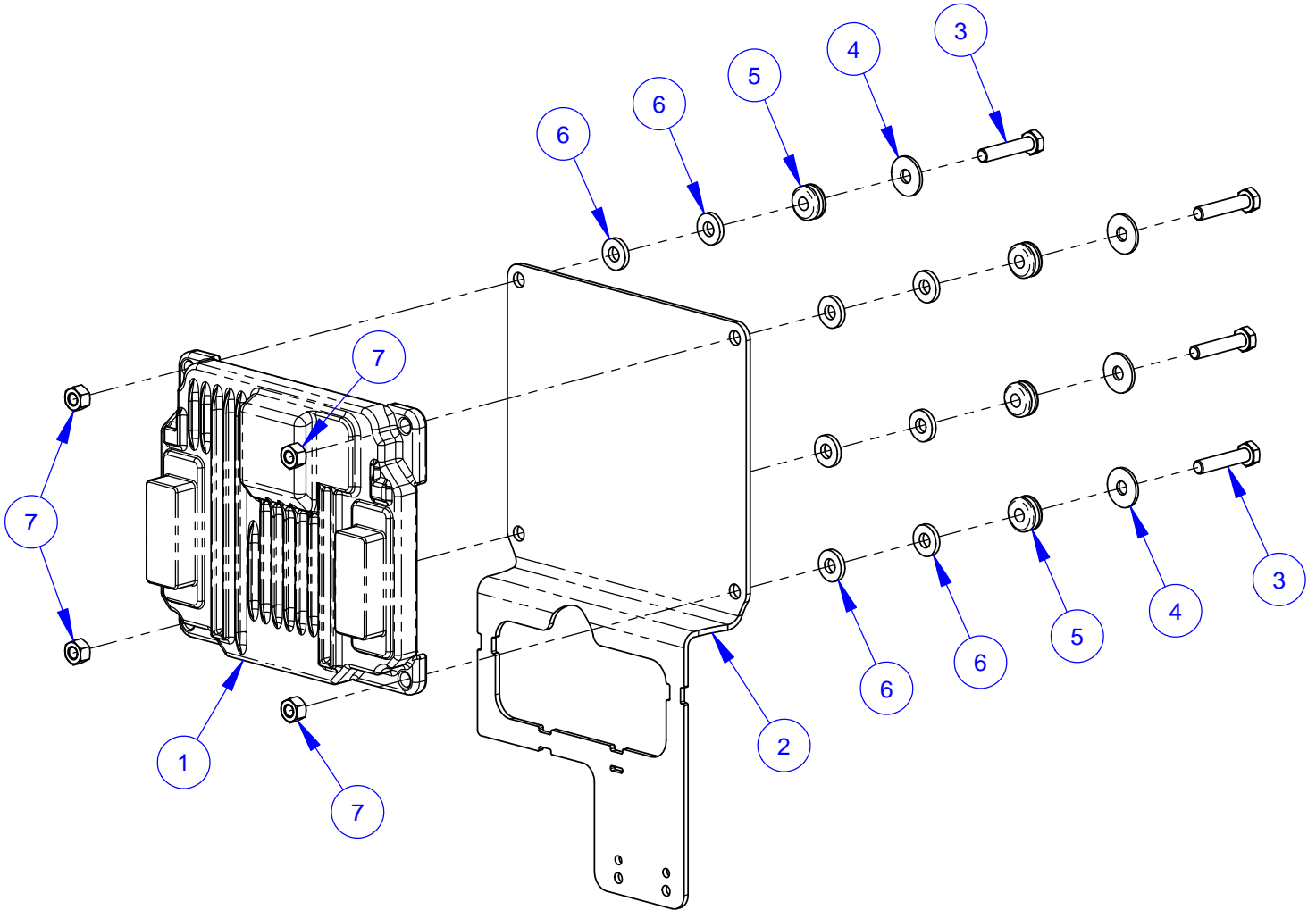
Water Supply Assembly #6016025



Water Supply Assembly #6016025

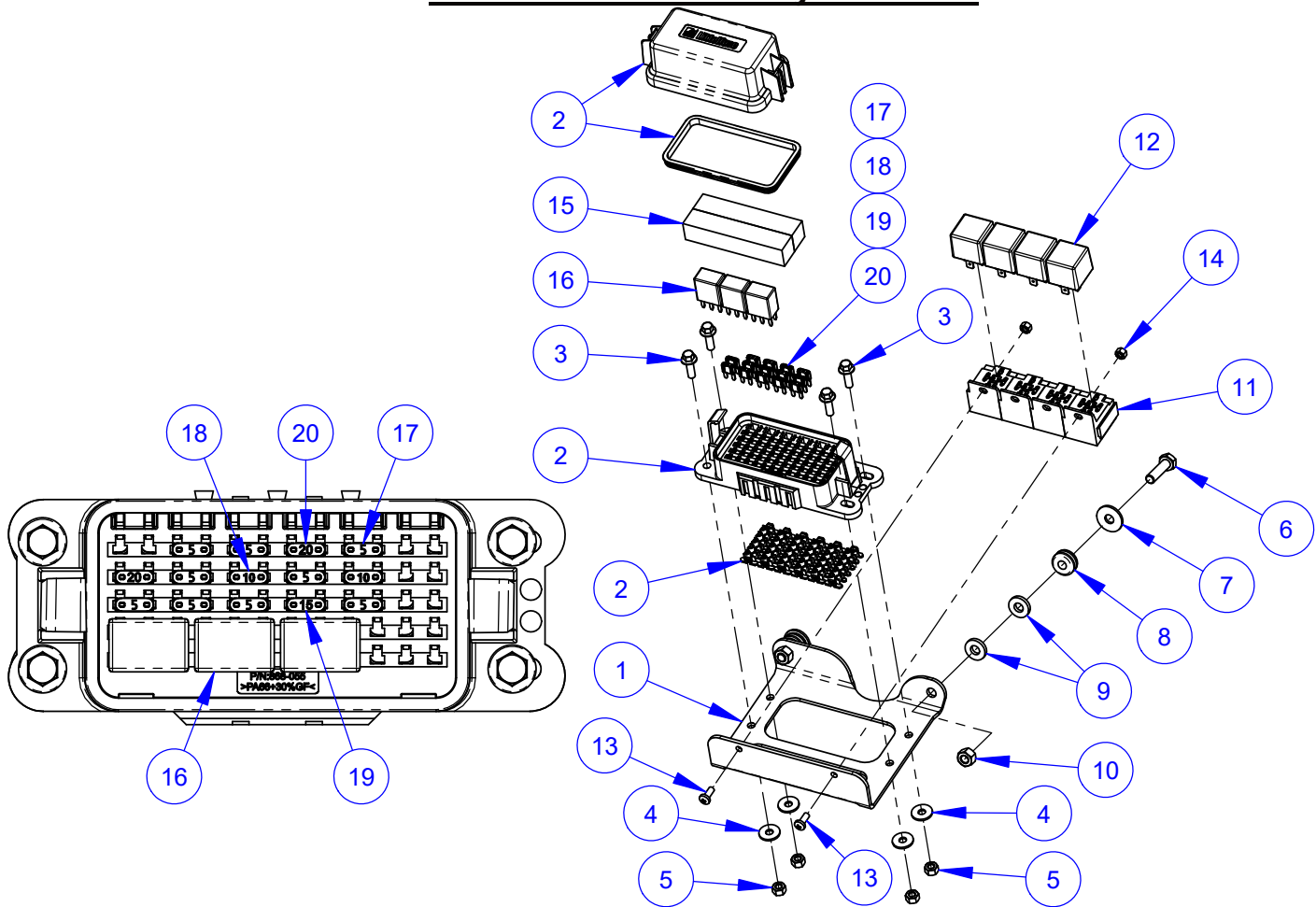
ITEM	PART NO.	QTY.	DESCRIPTION
1	3202886	1	Tee, 1/2" Female Pipe
2	2902094	2	Flat Washer, 7/8"
3	3200598	1	Close Nipple, 1/2" NPT (Brass)
4	3200022	1	Fitting, 1/2" F. Pipe to 3/4" F. Garden
5	3200025	1	Hose Filter Washer
6	3200069	1	Reducer, 1/2" M. to 1/8" F. Pipe
7	2800060	1	Water Pressure Switch
8	3200020	1	Fitting, 1/2" M. Pipe to 1/2" Hose Barb
9	3200016	9	Hose Clamp #8
10	6016238	1	Water Hose, 1/2" I.D. x 14"
11	3201740	4	Elbow, 1/2" M. Pipe to 1/2" Hose Bead
12	3202887	1	Water Valve
13	6016139	1	Water Valve Handle
14	2506079	1	Handle Cover
15	2902086	1	Hex Flange Nut, 5/16-24
16	3200699	1	Close Nipple, 1/2" BSPT
17	3202468	1	Coupling, 1/2" NPT
18	3202835	1	Hose Clamp
19	2901368	2	Machine Screw, Pan Hd., M6-1.0 x 16mm
20	2900302	4	Lock Nut, M6-1.0 Nylon Insert
21	6016239	1	Water Hose, 1/2" I.D. x 16"
22	2703427	1	Inlet Strainer
23	2900708	2	Machine Screw, Rd. Hd., #10-32 x 1/2"
24	2901997	2	Lock Nut, #10-32 Keps
25	6016240	2	Water Hose, 1/2" I.D. x 10"
26	6016227	1	Auto Water Solenoid Valve
27	6016168	1	Valve Bracket
28	2900369	2	U-Bolt, 3/4" Pipe
29	2900010	4	Lock Nut, 1/4-20 Nylon
30	2900341	2	Cap Screw, Hex Hd., M6-1.0 x 16mm
31	6016249	1	Hose Assembly 1/2" x 72"
32	6016039	1	Fuel Cooler Assembly

ECU Assembly #6016029



ITEM	PART NO.	QTY.	DESCRIPTION
1	2705148	1	Engine Control Unit (ECU)
2	6016283	1	ECU Mount Bracket
3	2900792	4	Cap Screw, Hex Hd., M8-1.25 x 40mm
4	2900383	4	Fender Washer, M8
5	2506011	4	Grommet, 5/16" I.D.
6	2902120	8	Flat Washer, 5/16" Extra Thick
7	2900303	4	Lock Nut, M8-1.25 Nylon Insert

Power Block Assembly #6016027

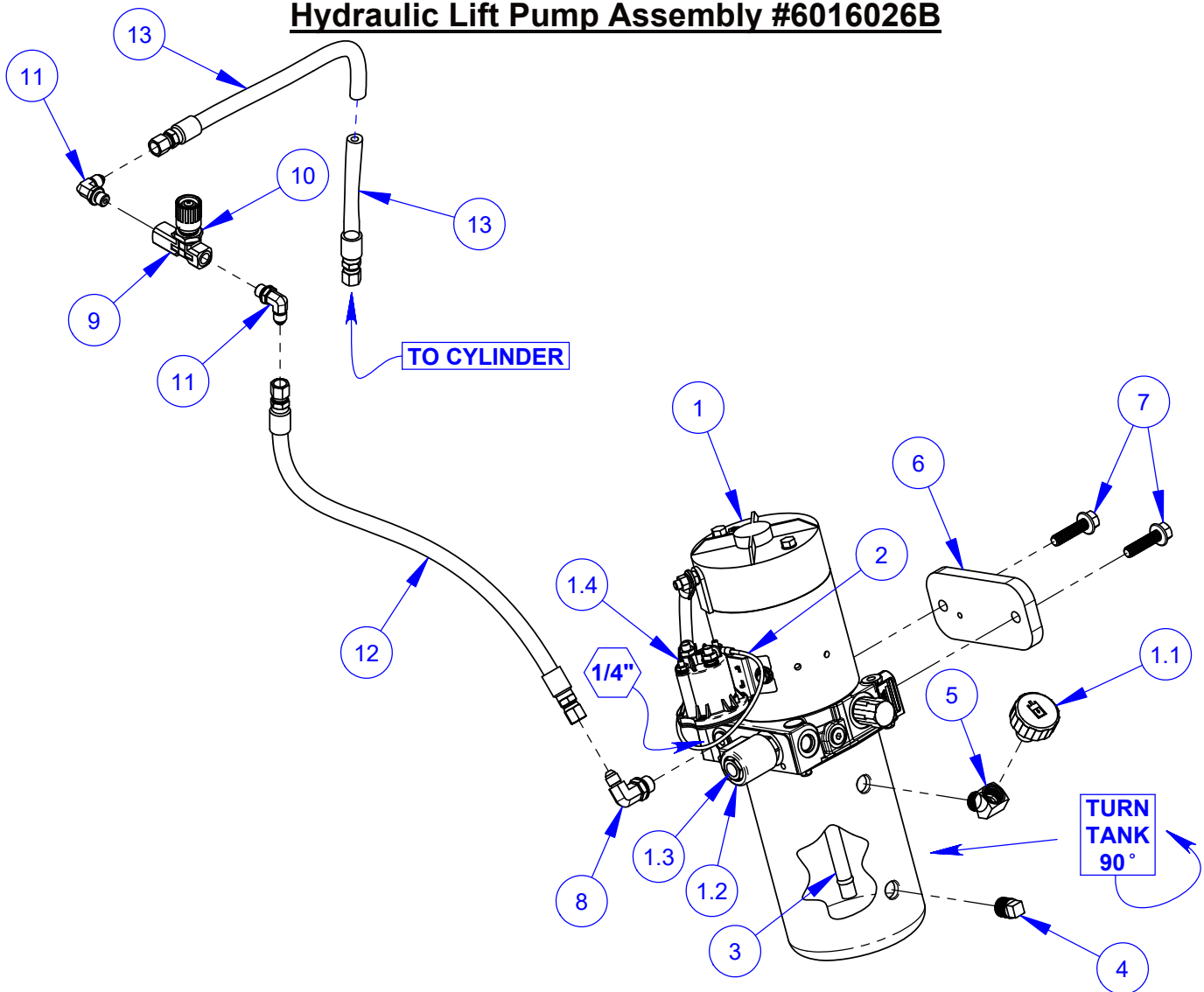


ITEM	PART NO.	QTY.	DESCRIPTION
1	6016197	1	Fuse Block Bracket
2	2801521	1	Fuse Block Kit
3	2900328	4	Cap Screw, Hex Flange, M6-1.0 x 20mm
4	2901359	4	Fender Washer, M6
5	2900302	4	Lock Nut, M6-1.0 Nylon Insert
6	2900313	2	Cap Screw, Hex Hd., M8-1.25 x 30mm
7	2900383	2	Fender Washer, M8
8	2506011	2	Grommet, 5/16" I.D.
9	2902120	4	Flat Washer, 5/16" Extra Thick
10	2900303	2	Lock Nut, M8-1.25 Nylon Insert
11	2800834	4	Mini Relay Connector
12	2801660	4	Relay, 40 Amp Mini
13	2900794	2	Machine Screw, Pan Hd., M5-0.8 x 12mm
14	2900301	2	Lock Nut, M5-0.8 Nylon Insert
15	6017491	2	Foam Cushion, 3/4" Thick
16	2801641	3	Relay, 35 Amp Micro
17	2801489	9	Fuse, 5 Amp Mini (Tan)
18	2801439	2	Fuse, 10 Amp Mini (Red)
19	2801440	1	Fuse, 15 Amp Mini (Blue)
20	2801590	2	Fuse, 20 Amp Mini (Yellow)

Battery Assembly #6016040

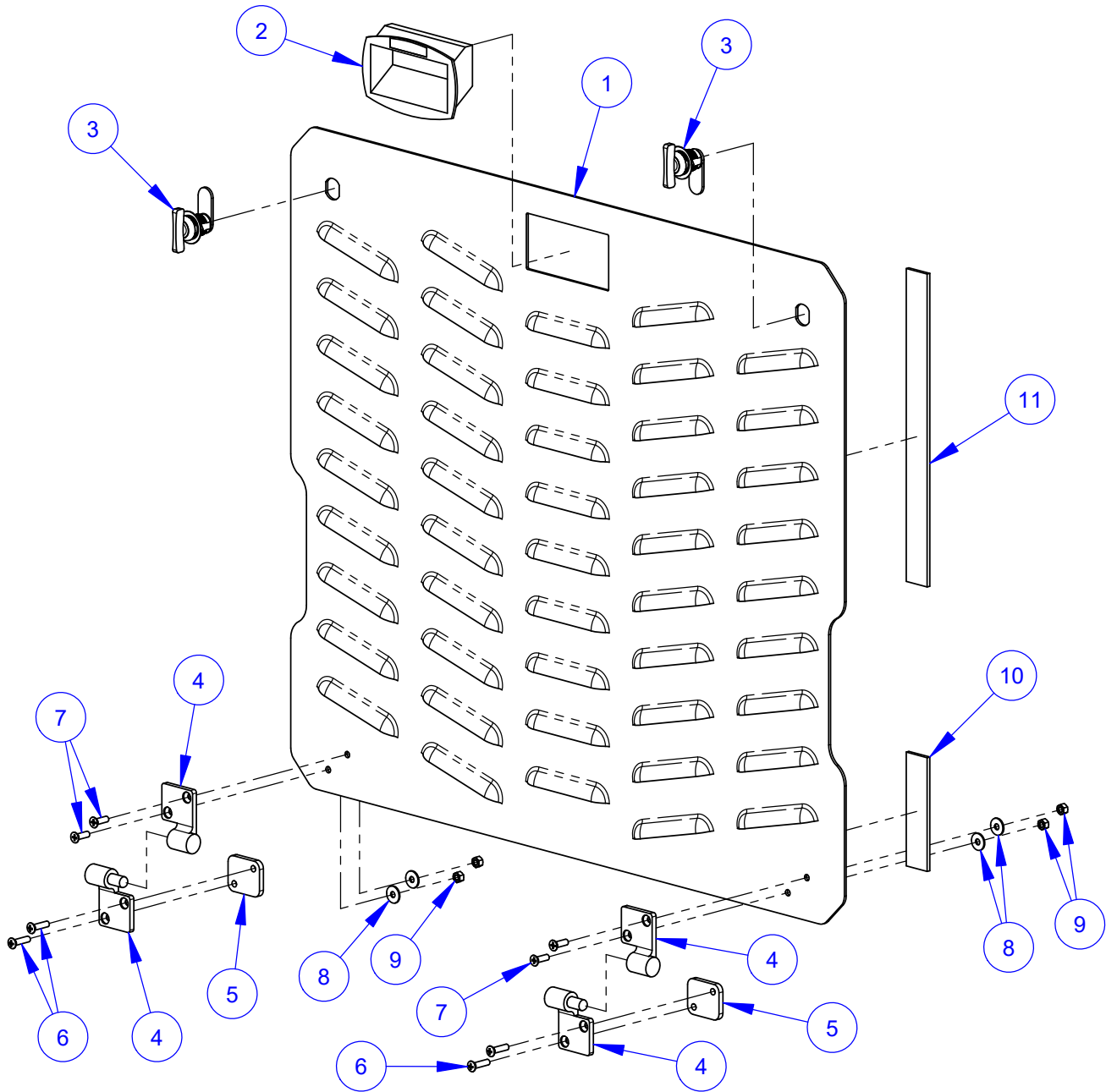
ITEM	PART NO.	QTY.	DESCRIPTION
1	2801299	1	Battery, 12 Volt Group Size 31
2	2506053	1	Battery Hold-Down Tray
	2506053A	1	Battery Tray Base
	2506053B	1	Battery Tray Top
	2506053C	2	Ratchet Knob 5/16-18
	2506053D	2	Tie Rod, 5/16-18
	2900039	2	Lock Nut, 5/16-18 Nylon
3	2901368	4	Machine Screw, Pan Hd., M6-1.0 x 16mm
4	2900765	4	Lock Washer, M6 Split
5	6016122	1	Battery Platform
6	6016123	1	Battery Platform Extension
7	2901370	2	Cap Screw, Hex Flange, M6-1.0 x 12mm
8	2900634	5	Cap Screw, Hex Flange, M8-1.25 x 20mm
9	6016126	1	Battery Post
10	6048064	2	Guard Mounting Tab Assembly, 90 Deg.
11	2900868	4	Cap Screw, Hex Hd., M8-1.25 x 16mm
12	2900763	6	Lock Washer, M8 Split
13	6016176	2	Fuel Tank Pad 10"
14	2801655	1	Battery Cable, 30" Positive (Red)
15	6047718	1	Battery Cable, 20" (Red)
16	2800095	1	Solenoid Cable, 14" Positive (Red)
17	2801506	1	Battery Cable, 32" Negative (Black)
18	6048092	1	Battery Cable, 31" (Black)
19	2800182	1	Ground Cable, 14" Negative (Black)
20	2800256	1	Battery Boot, Large (Red)
21	2800257	1	Battery Boot, Large (Black)
22	2800197	4	Battery Boot, Small (Red)
23	2800198	1	Battery Boot, Small (Black)
24	2900343	1	Hex Nut, M8-1.25
25	2900329	1	Cap Screw, Hex Hd., M8-1.25 x 20mm
26	2901336	1	Flat Washer, M8
27	2900883	1	Cap Screw, Hex Hd., 5/16-18 x 5/8"
28	2900031	1	Lock Washer, 5/16" Split
29	2901884	2	Jam Locknut, 5/16-18" Nylon
30	2801544	1	Power Stud Block (Red) 5/16-18
31	2801545	1	Ground Stud Block (Black) 5/16-18

Hydraulic Lift Pump Assembly #6016026B



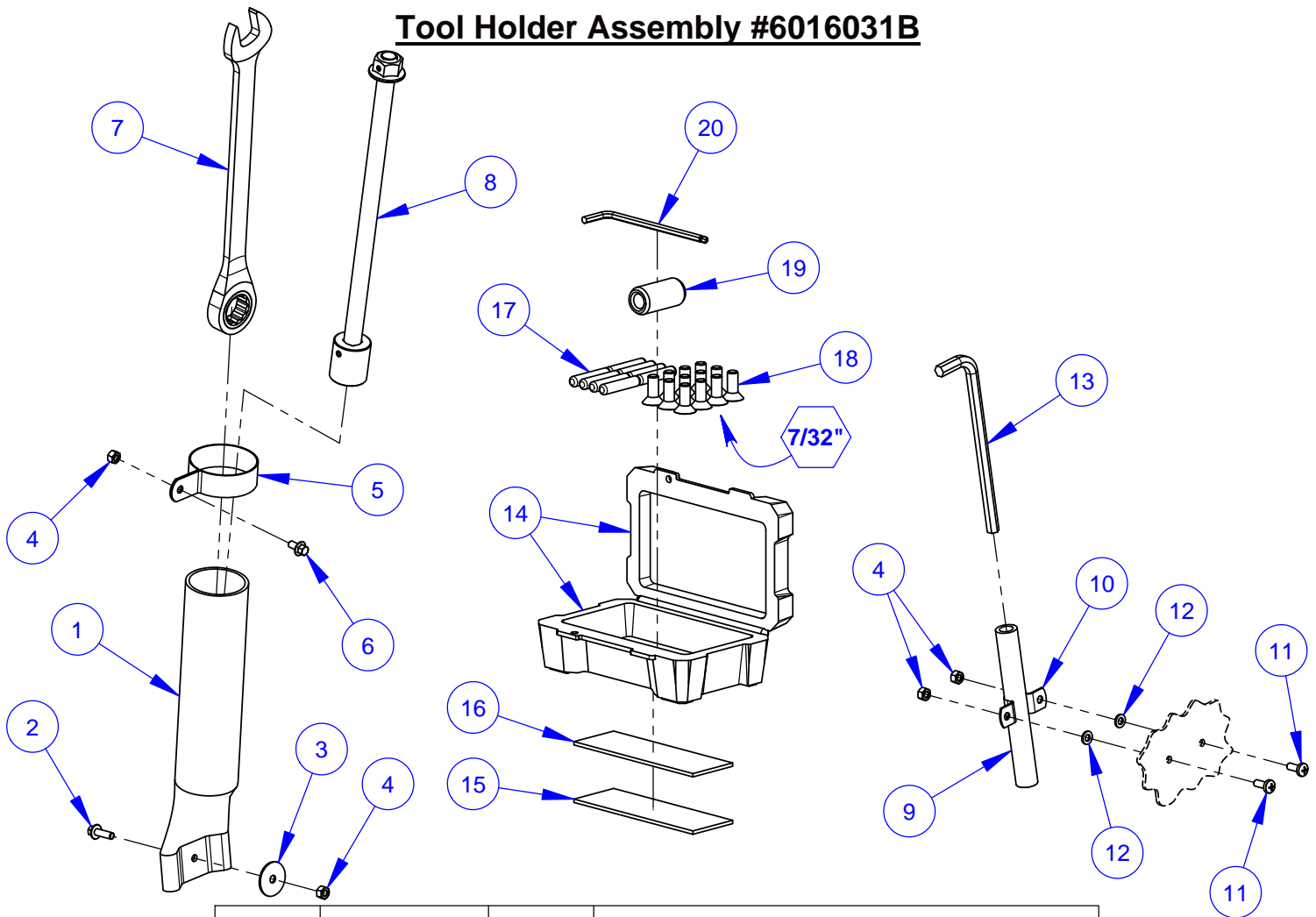
ITEM	PART NO.	QTY.	DESCRIPTION
1	2600744	1	Hydraulic Pump Unit
1.1	2700321	1	Breather Cap
1.2	2700243	1	Valve Coil
1.3	2700244	1	Valve Stem
1.4	2709904	1	Solenoid Start Switch w/ Diode
2	6063165	1	Ground Wire Assy.
3	2703428	1	Inlet Tube
4	3200153	1	Pipe Plug, 3/8" NPT
5	3202896	1	Street Elbow, 3/8" NPT x 45 Deg.
6	6016166	1	Lift Pump Mount Spacer
7	2901595	2	Cap Screw, Hex Flange Hd., 3/8-16 x 1-1/2"
8	3200551	1	Elbow, 3/8" O-Ring to 1/4" M. JIC
9	3202888	1	Flow Control Valve
10	3202889	1	Panel Mount Nut
11	3200214	2	Elbow, 1/4" M. O-Ring to 1/4" M. JIC
12	6016098	1	Hose Assembly 1/4" x 18"
13	6016099	1	Hose Assembly 1/4" x 63"

Rear Cover Screen Assembly #6016030



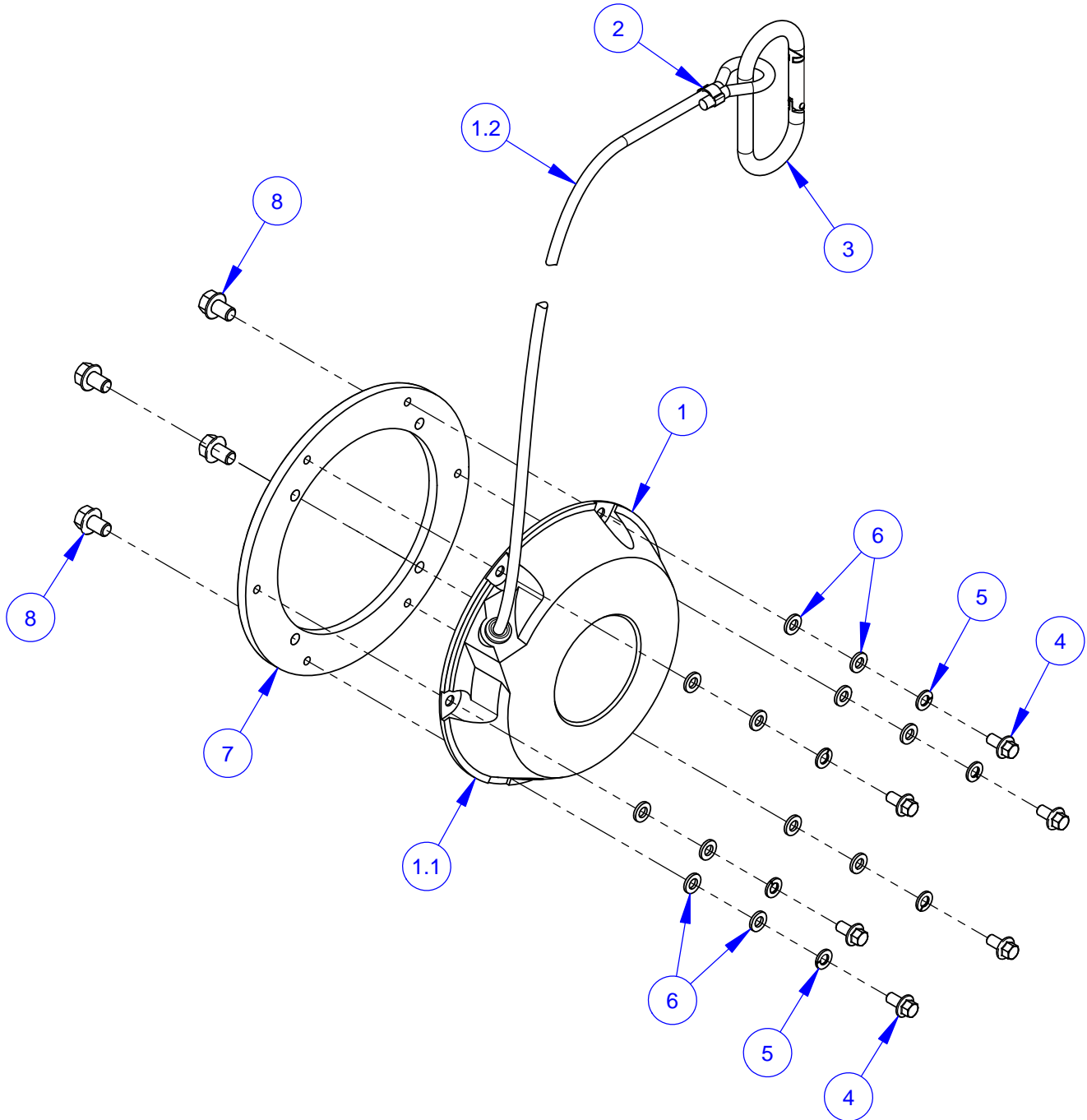
ITEM	PART NO.	QTY.	DESCRIPTION
1	6016162	1	Rear Cover Screen
2	2506086	1	Pull Handle
3	2506080	2	Latch, Door
4	2503695	2	Hinge, Lift-off R.H.
5	6016163	2	Hinge Spacer
6	2901364	4	Machine Screw, Oval Hd., M5-0.8 x 20mm
7	2900768	4	Machine Screw, Flat Hd., M5-0.8 x 16mm
8	2900770	4	Fender Washer, M5
9	2900301	4	Lock Nut, M5-0.8 Nylon Insert
10	6017339	2	Rubber Strip 4"
11	6016195	2	Rubber Strip 11"

Tool Holder Assembly #6016031B



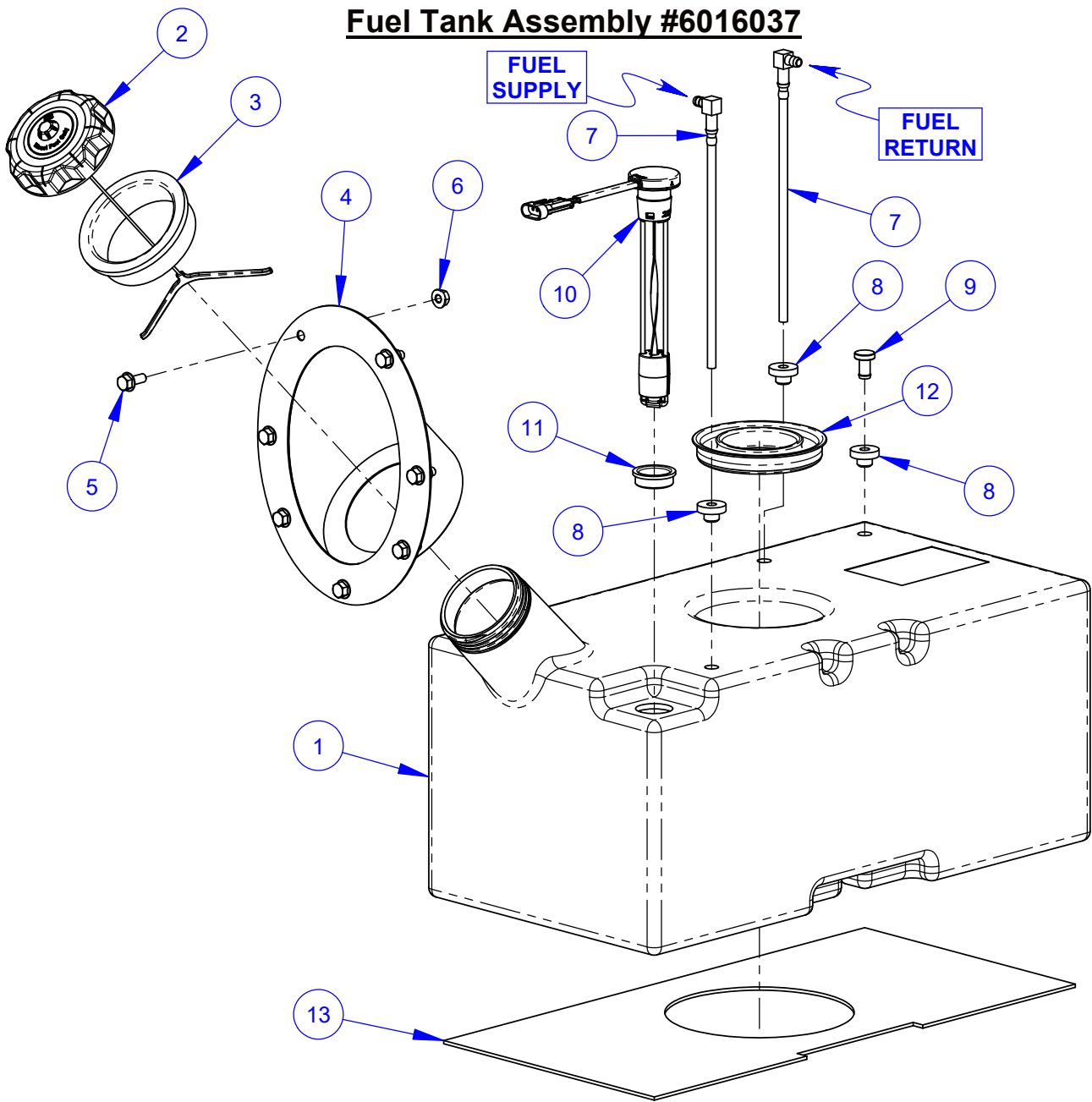
ITEM	PART NO.	QTY.	DESCRIPTION
1	6016178	1	Wrench Holder Tube
2	2900328	1	Cap Screw, Hex Flange, M6-1.0 x 20mm
3	2900083	1	Fender Washer, 1/4" x 1-1/4"
4	2900302	4	Lock Nut, M6-1.0 Nylon Insert
5	3202890	1	Hose Strap Clamp 2-3/8"
6	2901370	1	Cap Screw, Hex Flange, M6-1.0 x 12mm
7	2506077	1	Wrench, Ratcheting 15/16"
8	6016217	1	Belt Tensioner Tool
9	6017238	1	Hose, 1/2" I.D. x 6"
10	3201887	1	Hose Clamp
11	2901368	2	Machine Screw, Pan Hd., M6-1.0 x 16mm
12	2901494	2	Flat Washer, M6
13	2501923	1	L-Key, 3/8" Hex
14	2505995	1	Storage Case
15	6016262	1	Velcro Hook Tape 6"
16	6016263	1	Velcro Loop Tape 6"
17	2903154	8	Dowel Pin, 3/8" Dia. x 1-3/4"
18	2900235	12	Cap Screw, Flat Hd., 3/8-16 x 1"
19	6016261	1	Arbor Pin
20	2500690	1	L-Key, 7/32" Hex

Rope Recoil Assembly #6016032



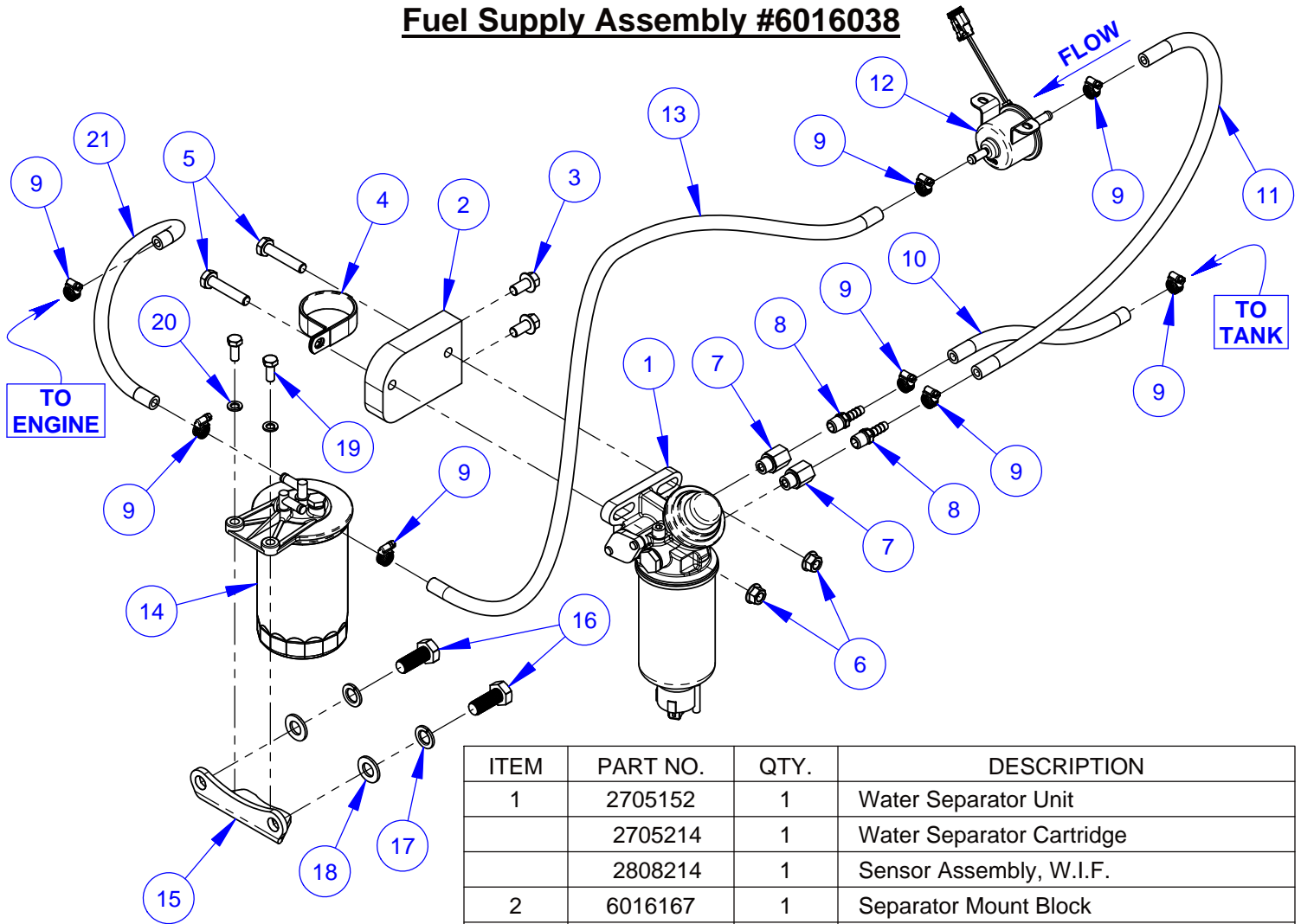
ITEM	PART NO.	QTY.	DESCRIPTION
1	6016250	1	Recoil with Rope
1.1	2701810	1	Recoil
1.2	6016251	1	Rope, 12 Foot
2	3200221	1	Pinch Clamp, Two Ear
3	2506136	1	Carabiner, Snap Link
4	2901370	6	Cap Screw, Hex Flange, M6-1.0 x 12mm
5	2900765	6	Lock Washer, M6 Split
6	2901494	12	Flat Washer, M6
7	6016165	1	Recoil Mounting Ring
8	2902071	4	Cap Screw, Hex Flange, M8-1.25 x 12mm

Fuel Tank Assembly #6016037



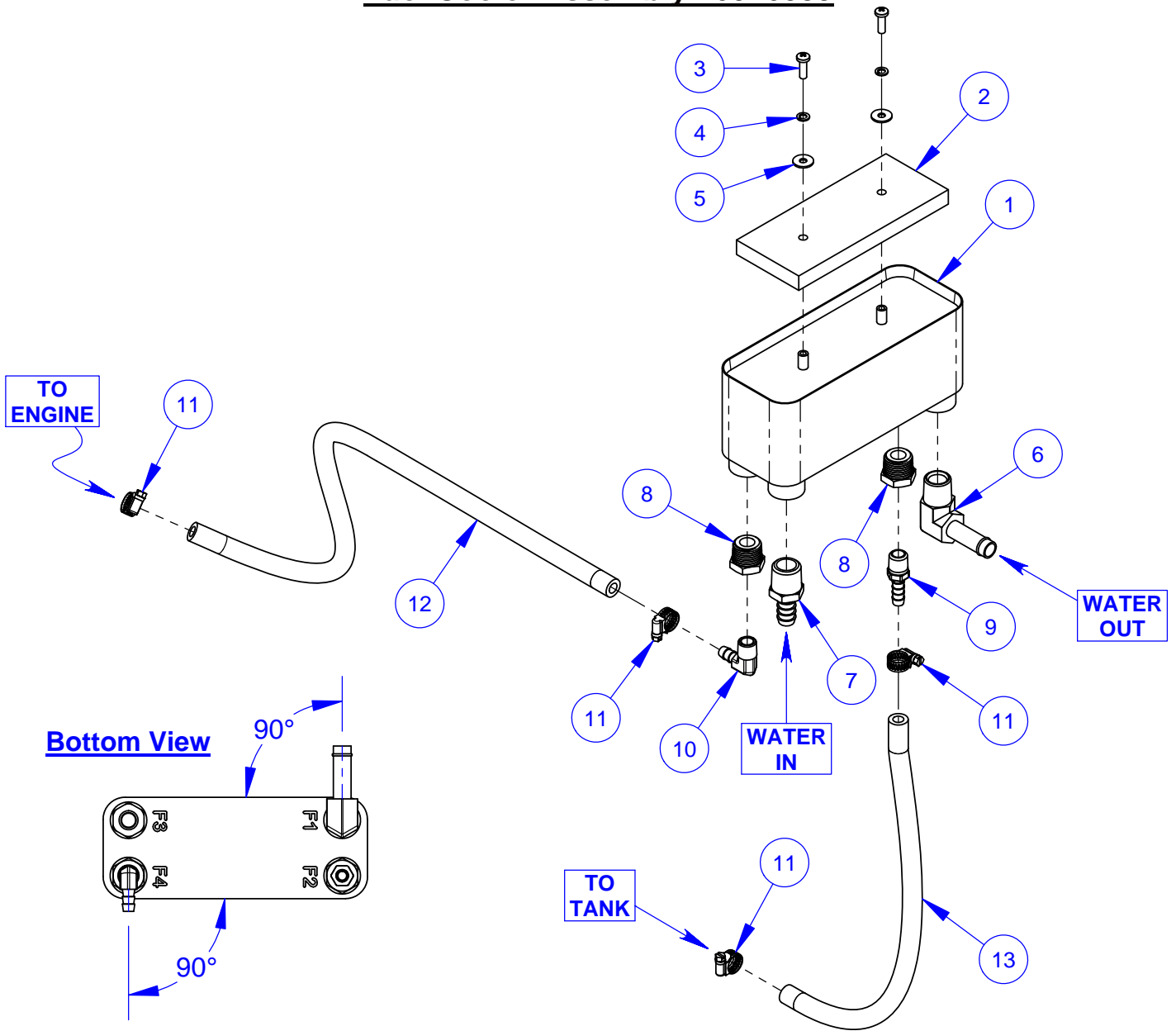
ITEM	PART NO.	QTY.	DESCRIPTION
1	6016120	1	Fuel Tank
2	2506074	1	Fuel Tank Cap, Diesel
3	2506082	1	Fuel Tank Grommet
4	6016121	1	Fuel Filler Bezel
5	2900634	7	Cap Screw, Hex Flange, M8-1.25 x 20mm
6	2902012	7	Hex Flange Nut, M8-1.25
7	2506108	2	Tank Elbow with Tube
8	2501215	3	Bushing, Tank (Rubber)
9	6013223	1	Return Line Hole Plug
10	2506075	1	Fuel Multi-Level Sender
11	2506076	1	Grommet, Fuel Sender
12	6016127	1	Pilot Ring
13	6016128	1	Tank Cushion

Fuel Supply Assembly #6016038



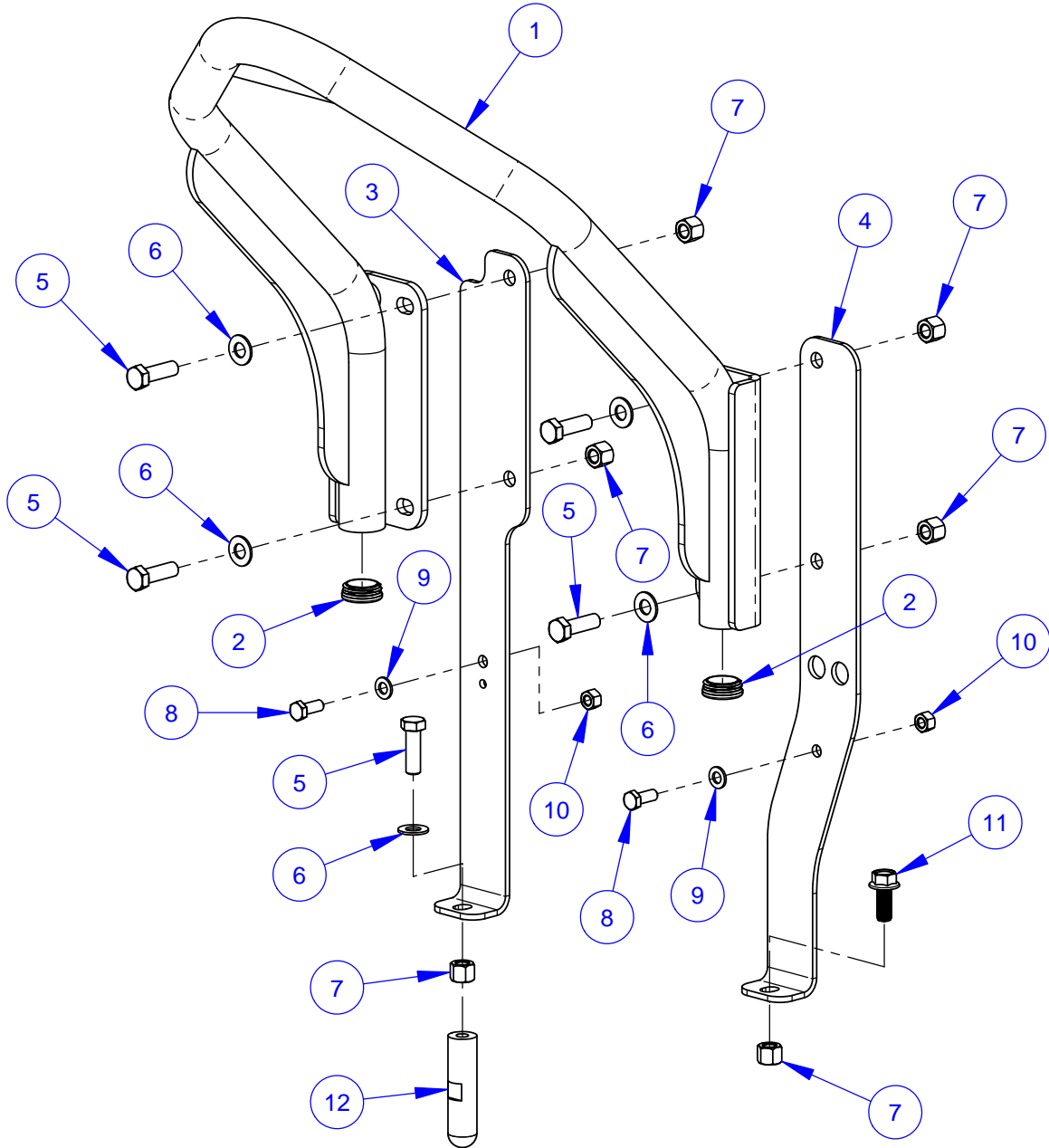
ITEM	PART NO.	QTY.	DESCRIPTION
1	2705152	1	Water Separator Unit
	2705214	1	Water Separator Cartridge
	2808214	1	Sensor Assembly, W.I.F.
2	6016167	1	Separator Mount Block
3	2901394	2	Flange Bolt, Hex Hd., M10-1.25 x 20mm
4	2506056	1	Hose Clamp, 2" x 3/4" Wide
5	2902013	2	Cap Screw, Hex Hd., M10-1.25 x 50mm
6	2901398	2	Hex Flange Nut, M10-1.25
7	3201269	2	Adapter, M14x1.5 M. to 1/4" F. Pipe
8	3201304	2	Fitting, 1/4" M. Pipe to 5/16" Hose Barb
9	3200062	8	Hose Clamp #4
10	6016236	1	Fuel Hose, 5/16" I.D. x 12"
11	6017298	1	Fuel Hose, 5/16" I.D. x 22"
12	6016221	1	Kubota Fuel Pump
13	6019283	1	Fuel Hose, 5/16" I.D. x 32"
14	2705153	1	Fuel Filter Assembly
	2705215	1	Fuel Filter Cartridge
15	6016125	1	Fuel Filter Mount Bracket
16	2900874	2	Cap Screw, Hex Hd., M14-1.5 x 35mm
17	2900875	2	Lock Washer, M14 Split
18	2900326	2	Flat Washer, M14
19	2900329	2	Cap Screw, Hex Hd., M8-1.25 x 20mm
20	2900763	2	Lock Washer, M8 Split
21	6016237	1	Fuel Hose, 5/16" I.D. x 15"

Fuel Cooler Assembly #6016039



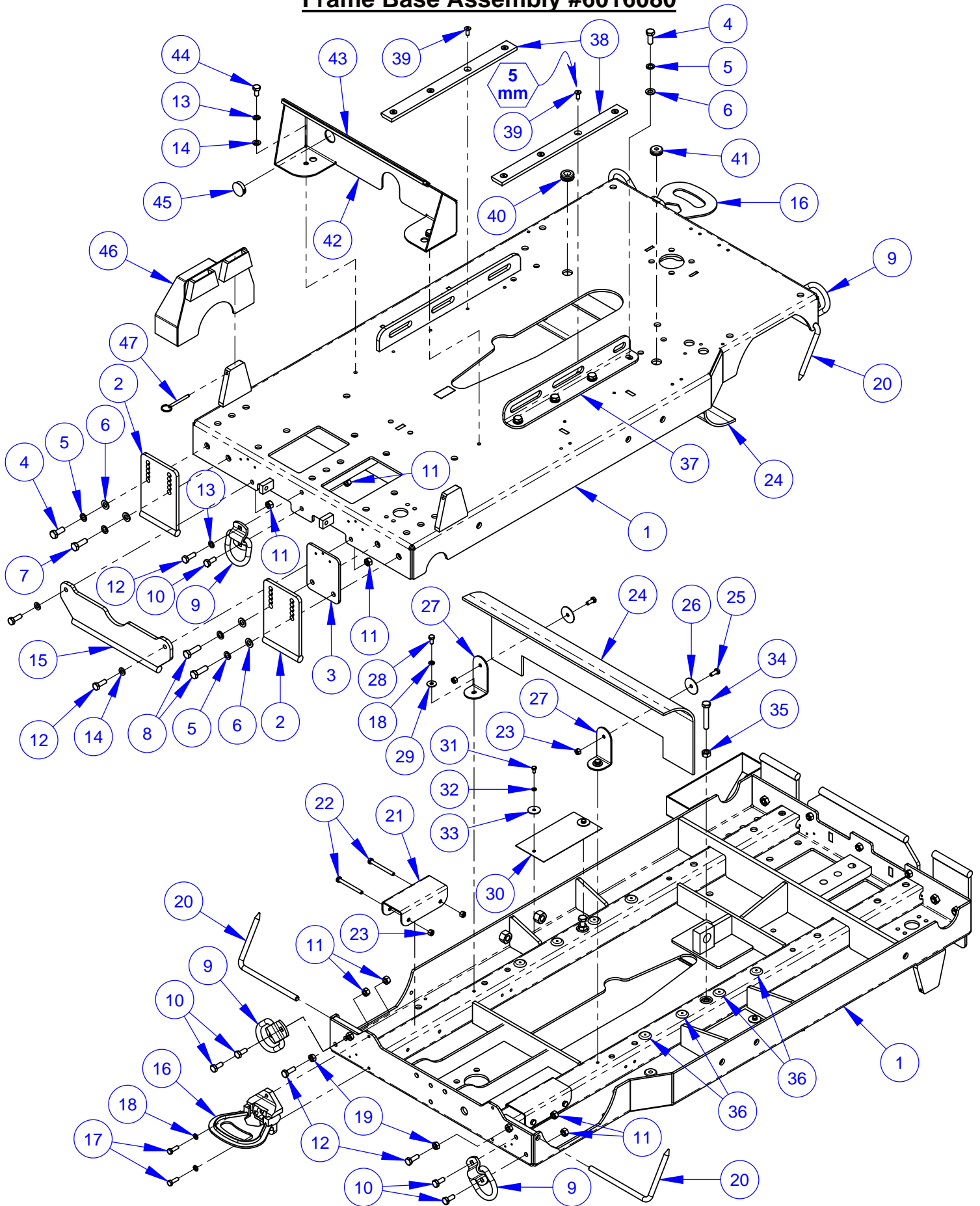
ITEM	PART NO.	QTY.	DESCRIPTION
1	2506058	1	Fuel Cooler
2	6019280	1	Cooler Cushion
3	2902122	2	Machine Screw, Pan Hd., M5-0.8 x 16mm
4	2900767	2	Lock Washer, M5 Split
5	2900770	2	Fender Washer, M5
6	3201740	1	Elbow, 1/2" M. Pipe to 1/2" Hose Bead
7	3200020	1	Fitting, 1/2" M. Pipe to 1/2" Hose Barb
8	3200229	2	Reducer, 1/2" M. to 1/4" F. Pipe
9	3201304	1	Fitting, 1/4" M. Pipe to 5/16" Hose Barb
10	3200599	1	Elbow, 1/4" M. Pipe to 5/16" Hose Barb
11	3200062	4	Hose Clamp #4
12	6017348	1	Fuel Hose, 5/16" I.D. x 24"
13	6019277	1	Fuel Hose, 5/16" I.D. x 18"

Frame Lift Assembly #6016036



ITEM	PART NO.	QTY.	DESCRIPTION
1	6016161	1	Frame Lift
2	2506091	2	Plug, 1-1/2" Hole
3	6016183	1	Lift Support Strut RH
4	6016184	1	Lift Support Strut LH
5	2900136	5	Cap Screw, Hex Hd., 5/8-11 x 2"
6	2900002	5	Flat Washer, 5/8" SAE
7	2900135	6	Lock Nut, 5/8-11 Nylon
8	2900330	2	Cap Screw, Hex Hd., M12-1.75 x 30mm
9	2901357	2	Flat Washer, M12
10	2900327	2	Lock Nut, M12-1.75 Nylon Insert
11	2900164	1	Cap Screw, Flange Hd., 5/8-11 x 1-1/2"
12	6016219	1	Flap Retainer

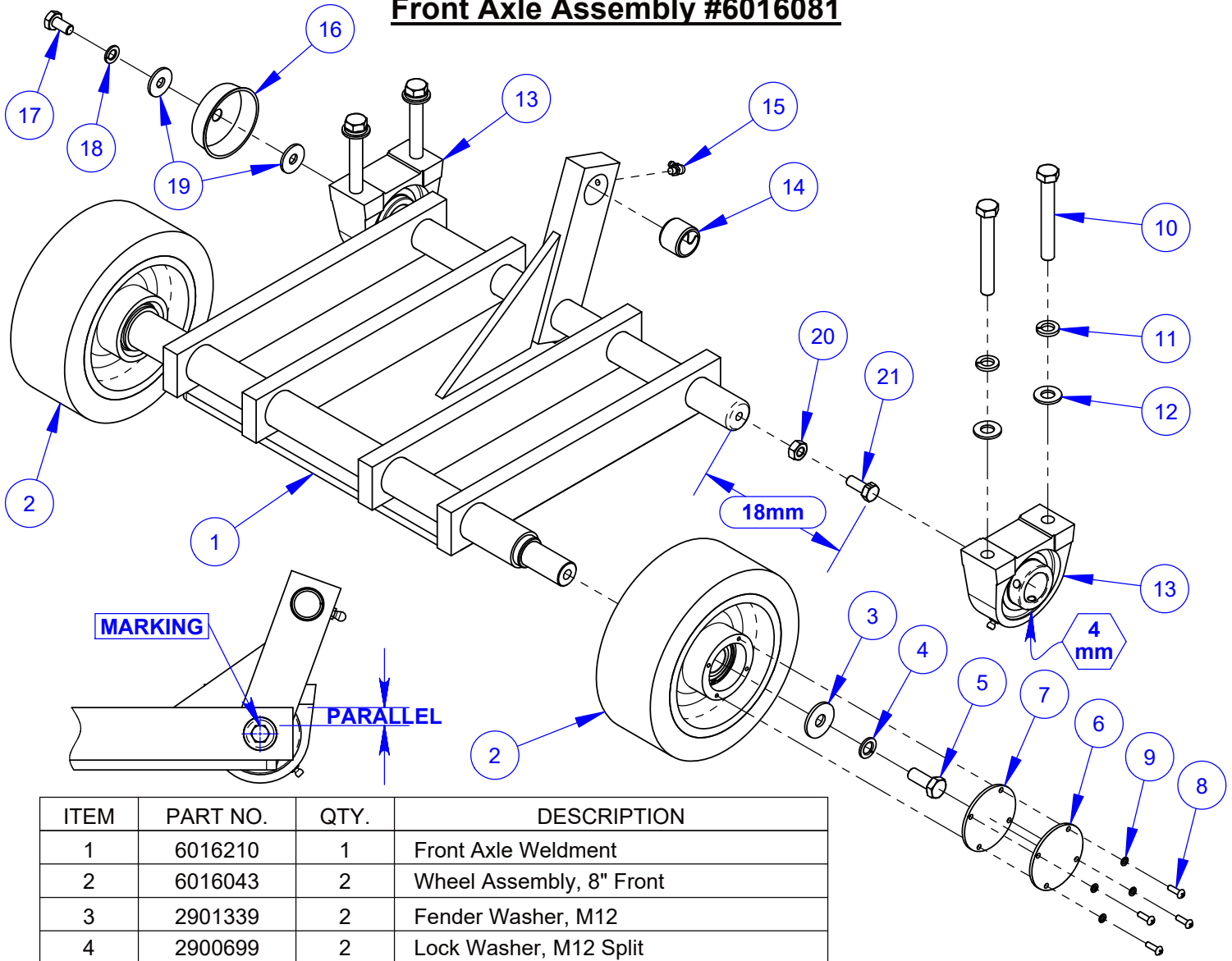
Frame Base Assembly #6016080



Frame Base Assembly #6016080

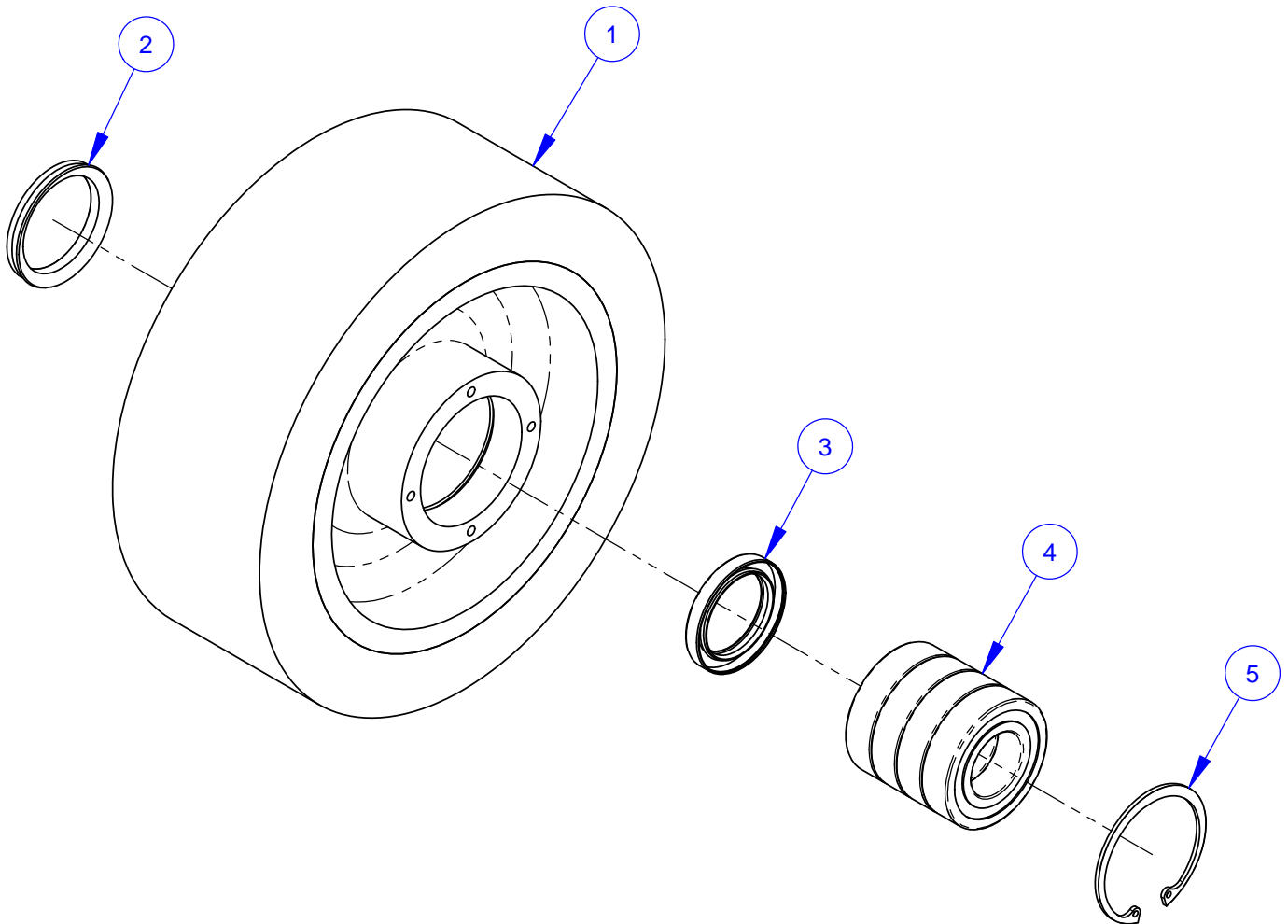
ITEM	PART NO.	QTY.	DESCRIPTION
1	6016200	1	Frame Base Weldment
2	6016202	2	Skid Plate
3	6016203	1	Guard Attachment Plate
4	2900330	5	Cap Screw, Hex Hd., M12-1.75 x 30mm
5	2900699	8	Lock Washer, M12 Split
6	2901357	8	Flat Washer, M12
7	2900801	1	Cap Screw, Hex Hd., M12-1.75 x 35mm
8	2900331	2	Cap Screw, Hex Hd., M12-1.75 x 40mm
9	2504368	3	Tie Down
10	2900333	5	Cap Screw, Hex Hd., M10-1.5 x 25mm
11	2900304	7	Lock Nut, M10-1.5 Nylon Insert
12	2900223	5	Cap Screw, Hex Hd., M10-1.5 x 30mm
13	2900321	3	Lock Washer, M10 Split
14	2901356	4	Flat Washer, M10
15	6016201	1	Sheave Guard
16	2503798	1	Foot Rest, Folding
17	2900360	2	Cap Screw, Hex Hd., M8-1.25 x 25mm
18	2900763	4	Lock Washer, M8 Split
19	2900325	2	Hex Nut, M10-1.5
20	6010683	2	Rear Pointer Rod
21	6017323	2	Rail Shoe
22	2901141	4	Cap Screw, Hex Hd., M8-1.25 x 80mm
23	2900303	6	Lock Nut, M8-1.25 Nylon Insert
24	6016180	1	Slurry Flap
25	2900329	2	Cap Screw, Hex Hd., M8-1.25 x 20mm
26	2901504	2	Fender Washer, 5/16" x 1-3/4"
27	6016154	2	Skirt Bracket
28	2900868	2	Cap Screw, Hex Hd., M8-1.25 x 16mm
29	2900383	2	Fender Washer, M8
30	6017544	2	Slurry Glide Strip
31	2900544	4	Cap Screw, Hex Hd., M6-1.0 x 12mm
32	2900765	4	Lock Washer, M6 Split
33	2900083	4	Fender Washer, 1/4" x 1-1/4"
34	2901347	2	Tap Bolt, Hex Hd., M12-1.75 x 70mm
35	2900482	2	Hex Nut, M12-1.75
36	2506095	8	Plug, 7/8" Hole
37	6016151	1	Engine Guide
38	6016152	2	Engine Slide Bar
39	2900611	8	Cap Screw, Flat Hd., M8-1.25 x 20mm
40	2503742	1	Grommet, 11/16" I.D.
41	2506118	1	Grommet, 3/8" I.D.
42	6016155	1	Air Shield
43	6019115	1	Edge Trim Seal 20"
44	2900314	2	Cap Screw, Hex Hd., M10-1.5 x 20mm
45	2506087	1	Plug, 1-3/8" Hole
46	6016218	1	Flange Guard 10"
47	2900156	1	Lock Pin with Ring

Front Axle Assembly #6016081



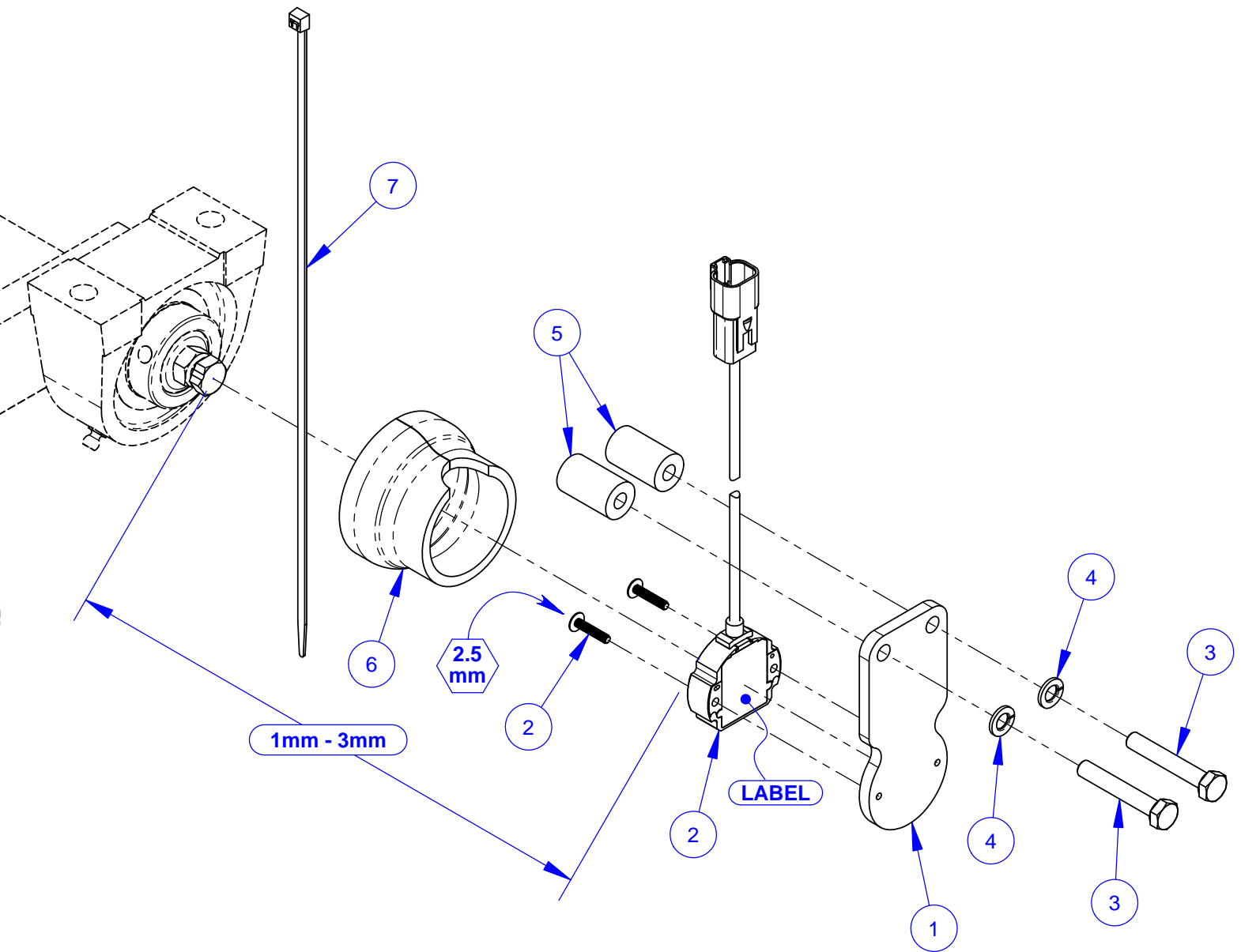
ITEM	PART NO.	QTY.	DESCRIPTION
1	6016210	1	Front Axle Weldment
2	6016043	2	Wheel Assembly, 8" Front
3	2901339	2	Fender Washer, M12
4	2900699	2	Lock Washer, M12 Split
5	2900330	2	Cap Screw, Hex Hd., M12-1.75 x 30mm
6	6010536	2	Wheel Cover
7	2501393	2	Wheel Cover Gasket
8	2900159	8	Machine Screw, Rd. Hd., #10-24 x 5/8"
9	2900038	8	Lock Washer, #10 Split
10	2900400	4	Cap Screw, Hex Hd., 1/2-13 x 3-3/4"
11	2900084	4	Lock Washer, 1/2" Split
12	2900058	4	Flat Washer, 1/2" SAE
13	2500158	2	Pillow Block Bearing 1-1/4"
14	2504635	1	Spring Bushing, 1" Long
15	2900061	1	Grease Fitting, 1/4-28 x 90 Degree
16	6016095	1	Bearing End Cap
17	2900314	1	Cap Screw, Hex Hd., M10-1.5 x 20mm
18	2900321	1	Lock Washer, M10 Split
19	2901360	2	Fender Washer, M10
20	2900325	1	Hex Nut, M10-1.5
21	2801533	1	Marker Screw, M10-1.5 x 25mm

Front Wheel Assembly #6016043



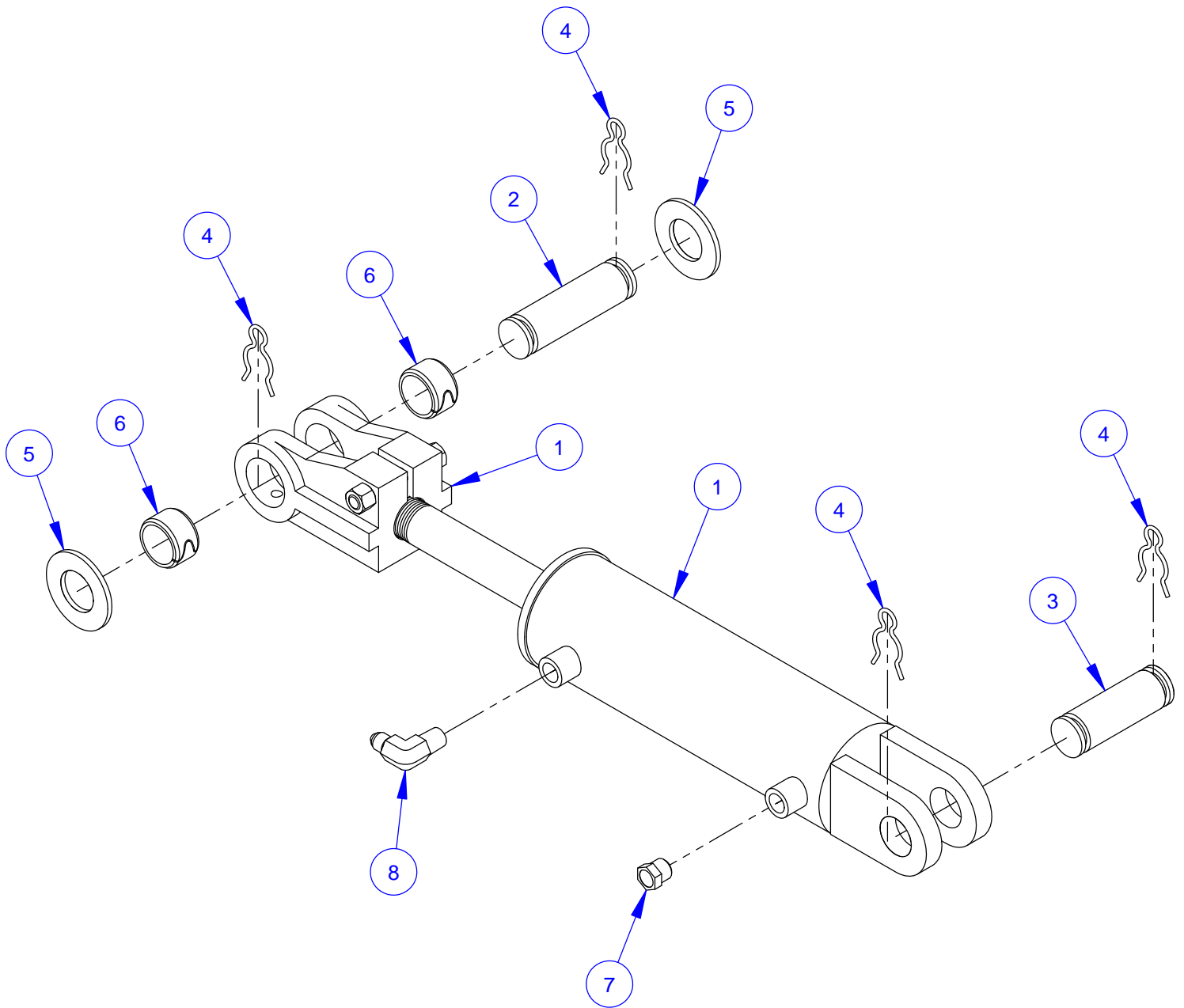
ITEM	PART NO.	QTY.	DESCRIPTION
1	2506101	1	Wheel, 8" Front
2	2501428	1	Seal, 1-1/2" V-Ring
3	2501391	1	Seal, 1-1/4" x 1-3/4" x 1/4"
4	2501418	4	Ball Bearing, 1" x 2" x 1/2"
5	2501392	1	Retaining Ring, 2" Internal

Rotary Sensor Assembly #6016044



ITEM	PART NO.	QTY.	DESCRIPTION
1	6016186	1	Sensor Mount Plate
2	6016220	1	Rotary Sensor
	2902125	2	Machine Screw, Flange Button Hd., M4-0.7 x 20mm
3	2907018	2	Cap Screw, Hex Hd., M8-1.25 x 50mm
4	2900763	2	Lock Washer, M8 Split
5	2400314	2	Spacer, 1-1/4" Long
6	6016187	1	Sensor Boot
7	2800278	1	Zip Tie, 14"

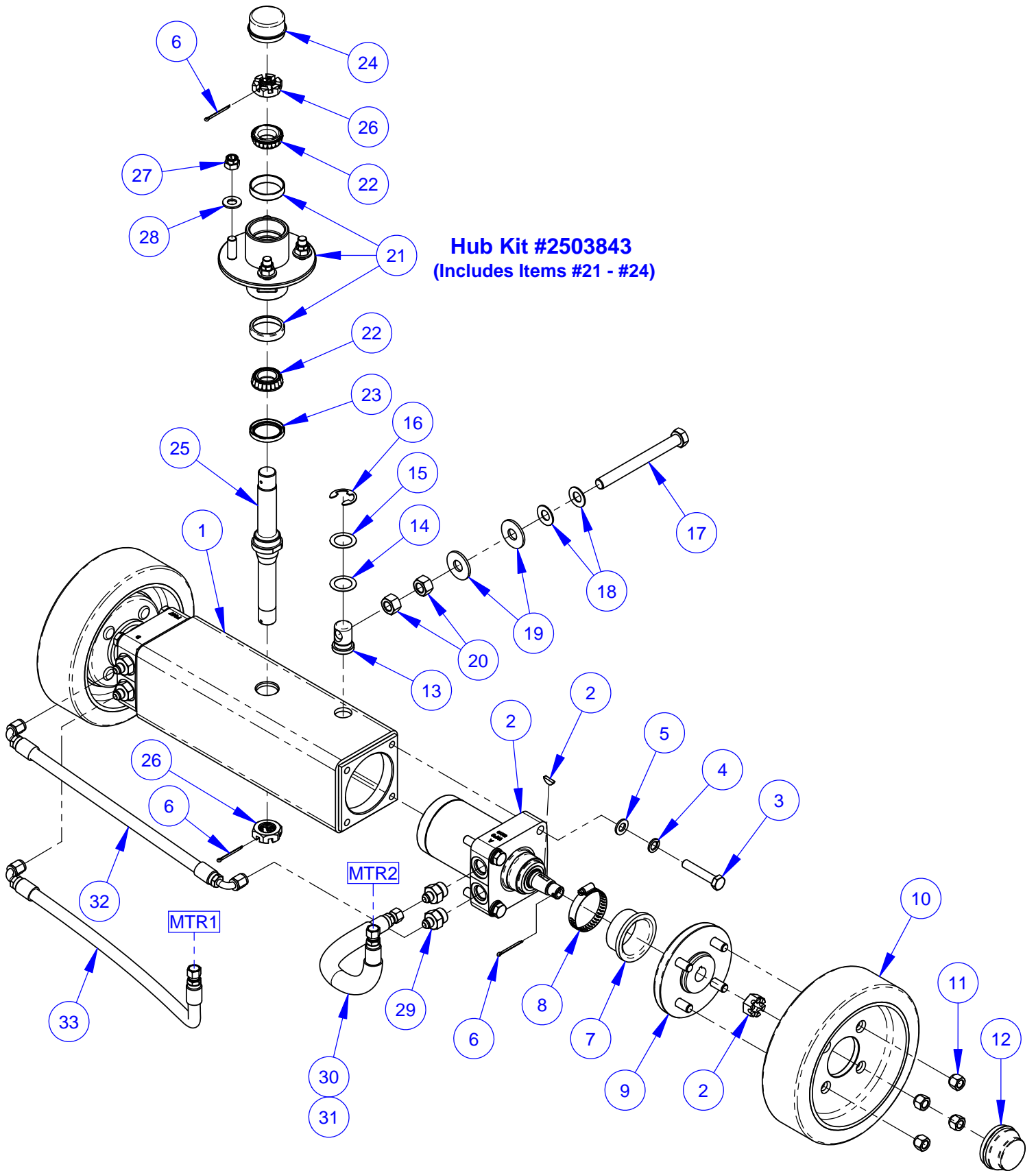
Hydraulic Cylinder Assembly #6017103



ITEM	PART NO.	QTY	DESCRIPTION
1	6017457	1	Hydraulic Cylinder (Drilled)
	6017458	1	Cylinder Rod Clevis (Drilled)
	2501012	1	Seal Repair Kit
2	6010119	1	Cylinder Pin, 1" Dia. x 3-1/2" Long
3	6010031	1	Cylinder Pin, 1" Dia. x 3" Long
4	2900064	4	Hair Pin Cotter, 3/4"
5	2900295	2	Flat Washer, 1" SAE
6	2504599	2	Spring Bushing, 3/4" Long
7	3200067	1	Breather Vent, 1/4" NPT
8	3200057	1	Elbow, 1/4" M. Pipe to 1/4" M. JIC

Rear Axle Assembly #6017414

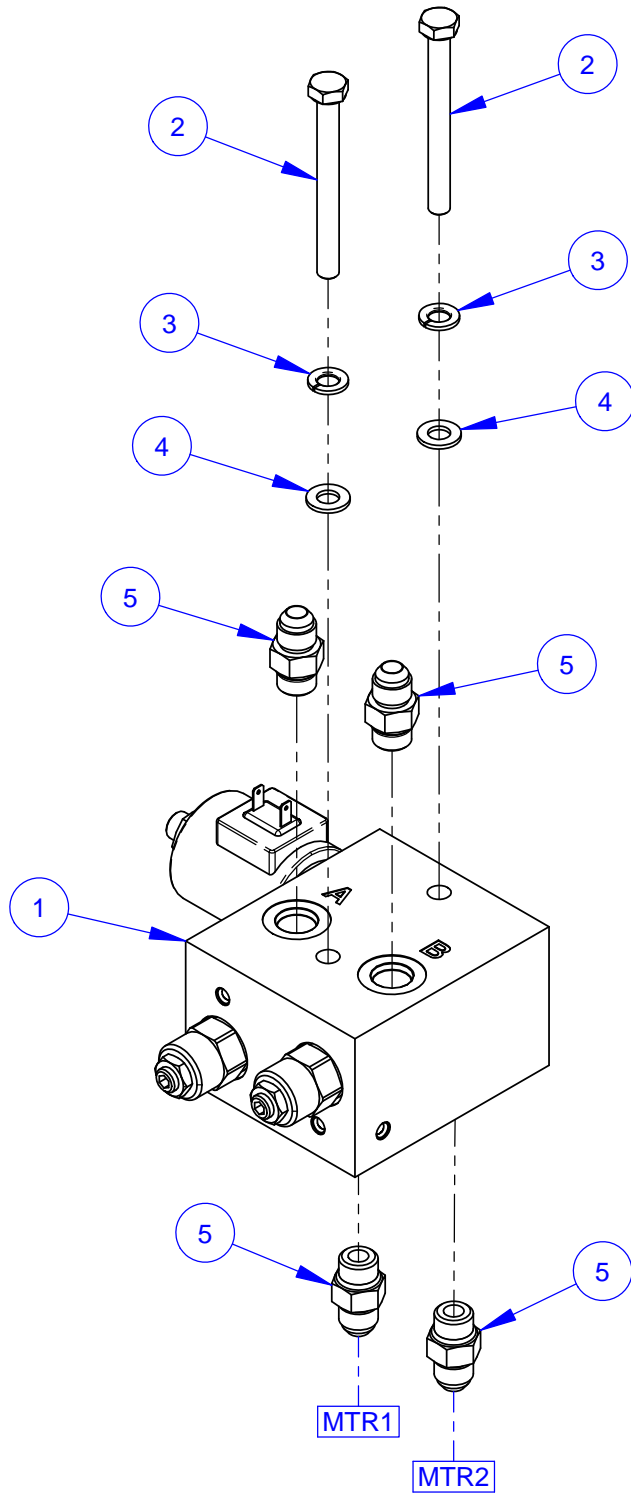
Hub Kit #2503843
(Includes Items #21 - #24)



Rear Axle Assembly #6017414

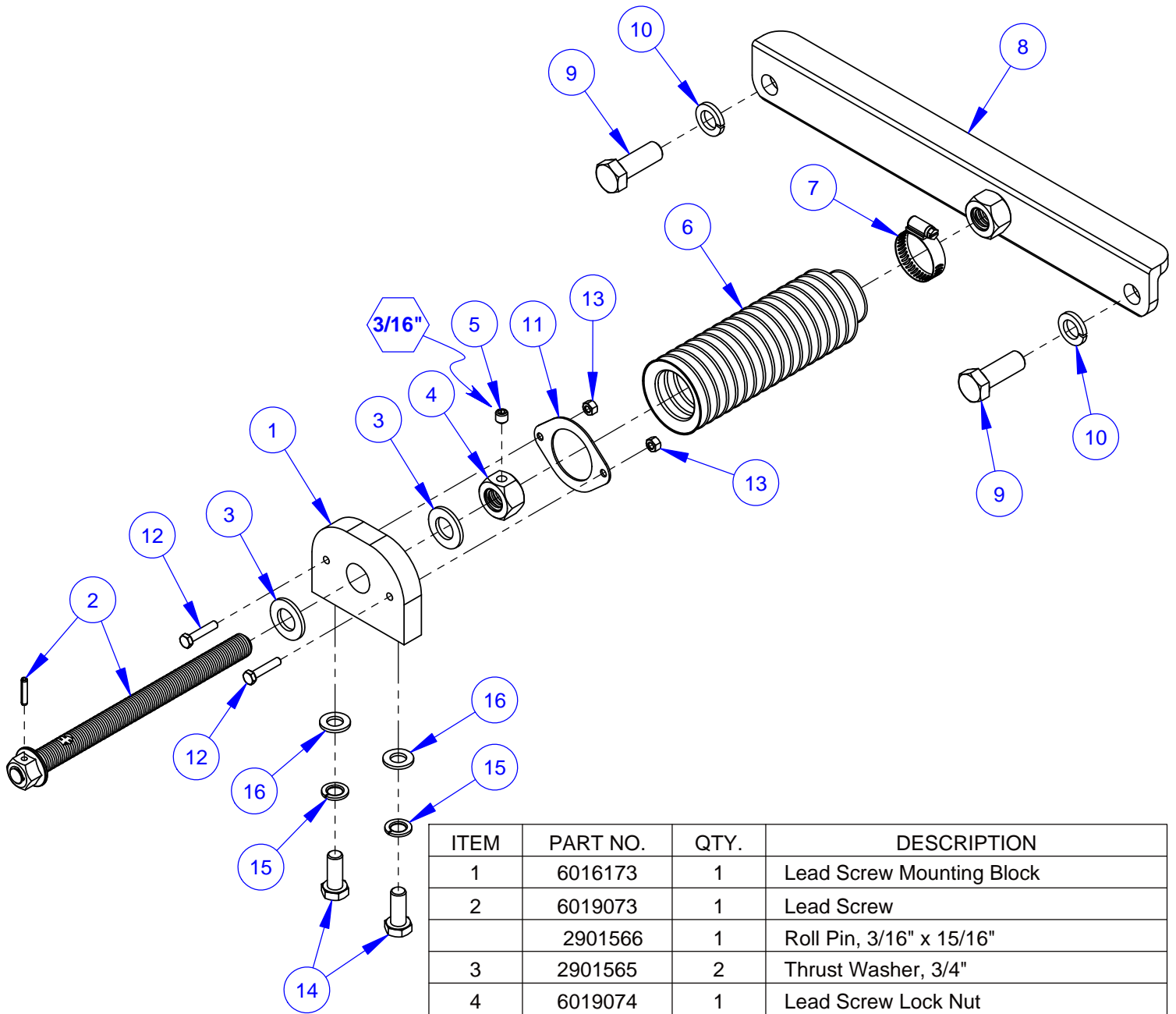
ITEM	PART NO.	QTY	DESCRIPTION
1	6017383	1	Motor Mount Tube Weldment
2	2600654	2	Parker Wheel Motor
	2901327	1	Woodruff Key #9, 3/16" x 3/4"
	2703207	1	Hex Slotted Nut, 3/4-16
3	2900359	8	Cap Screw, Hex Hd., M12-1.75 x 65mm
4	2900699	8	Lock Washer, M12 Split
5	2901357	8	Flat Washer, M12
6	2900950	4	Cotter Pin, 1/8" x 1-1/2"
7	2506071	2	Sleeve Reducer, 2-1/2" to 2-1/4" I.D.
8	3200095	2	Hose Clamp #32
9	2502175	2	Wheel Hub
10	2503880	2	Wheel, 10" Rear
11	2900975	8	Lug Nut, 1/2-20
12	2502176	2	Hub Cap
13	6017378	1	Swivel, M16
14	2900938	1	Shim, 1" x 1-1/2" x .010"
15	2900940	1	Shim, 1" x 1-1/2" x .015"
16	2501224	1	E-Ring, 1"
17	2901351	1	Tap Bolt, Hex Hd., M16-2.0 x 160mm
18	2900478	2	Belleville Washer, 5/8"
19	2900721	2	Flat Washer, 5/8" USS Hardened
20	2901352	2	Hex Nut, M16-2.0
21	2503794	1	Hub with Bearing Cups
	2501222	2	Tapered Bearing Cup
22	2503766	2	Tapered Bearing Cone, 1-1/16"
23	2503767	1	Seal, Double Lip 1-1/2" ID
24	2503795	1	Grease Cap 2"
25	6017322	1	Kingpin
26	2707220	2	Hex Nut, 1"-14 Slotted
27	2900833	4	Lock Nut, 1/2-20 Flex Top
28	2900058	4	Flat Washer, 1/2" SAE
29	3201724	4	Adapter, 5/8" O-Ring to 3/8" M. JIC
30	6016235	1	Hose Sleeving 9"
31	6017295	1	Hose Assembly 3/8" x 14"
32	6017020	1	Hose Assembly 3/8" x 18-1/4"
33	6017296	1	Hose Assembly 3/8" x 25"

Valve Block Assembly #6016046



ITEM	PART NO.	QTY.	DESCRIPTION
1	3201664	1	Valve Block Unit
2	2901141	2	Cap Screw, Hex Hd., M8-1.25 x 80mm
3	2900763	2	Lock Washer, M8 Split
4	2901336	2	Flat Washer, M8
5	3200263	4	Adapter, 3/8" O-Ring to 3/8" M. JIC

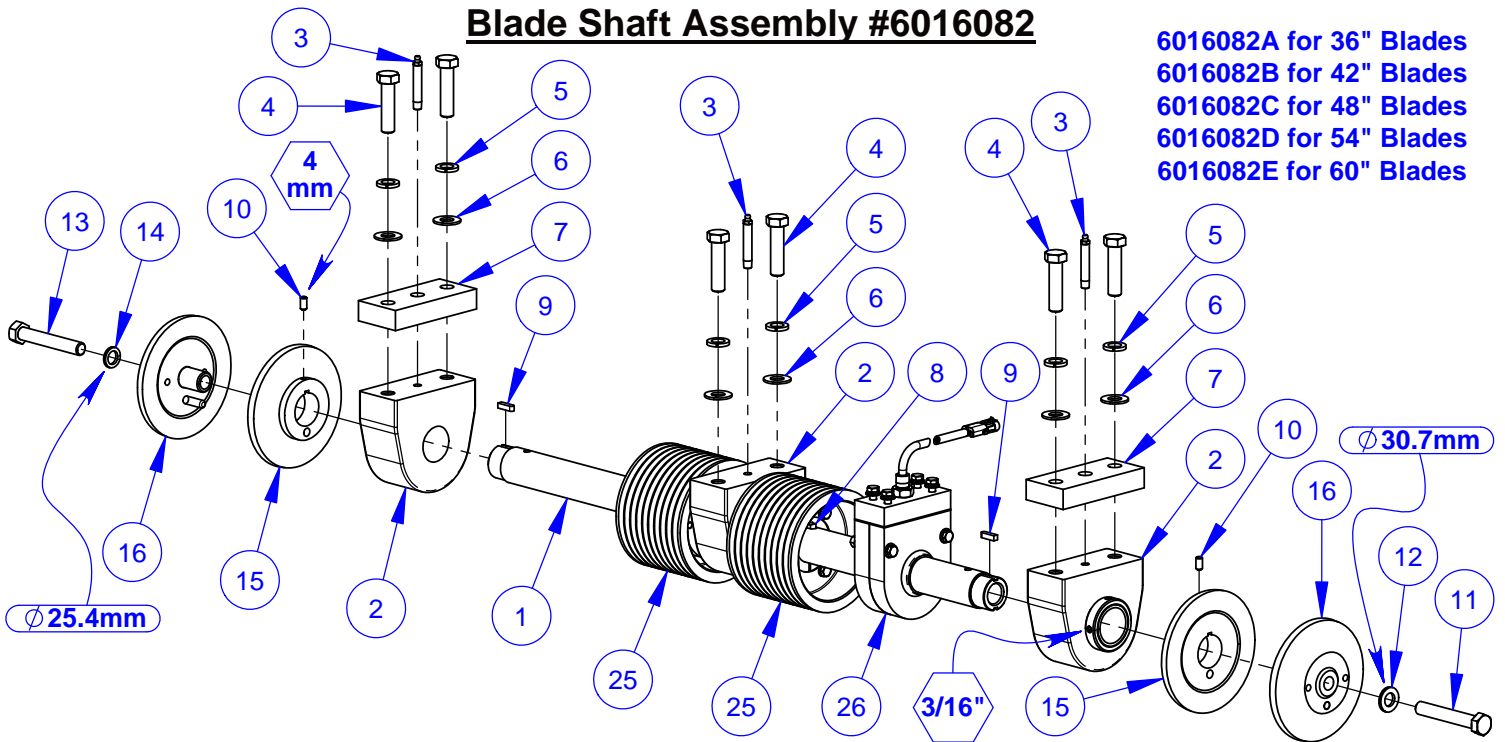
Belt Tensioner Assembly #6016049



ITEM	PART NO.	QTY.	DESCRIPTION
1	6016173	1	Lead Screw Mounting Block
2	6019073	1	Lead Screw
	2901566	1	Roll Pin, 3/16" x 15/16"
3	2901565	2	Thrust Washer, 3/4"
4	6019074	1	Lead Screw Lock Nut
5	2900131	1	Set Screw, Soc. Hd., 3/8-16 x 3/8"
6	6048036	1	Bellows
7	3202142	1	Hose Clamp #24
8	6016174	1	Lead Screw Adjustment Bar
9	2900147	2	Cap Screw, Hex Hd., 5/8-11 x 1-3/4"
10	2900113	2	Lock Washer, 5/8" Split
11	6019028	1	Bellows Mount Flange
12	2900342	2	Cap Screw, Hex Hd., M6-1.0 x 30mm
13	2900302	2	Lock Nut, M6-1.0 Nylon Insert
14	2900330	2	Cap Screw, Hex Hd., M12-1.75 x 30mm
15	2900699	2	Lock Washer, M12 Split
16	2901357	2	Flat Washer, M12

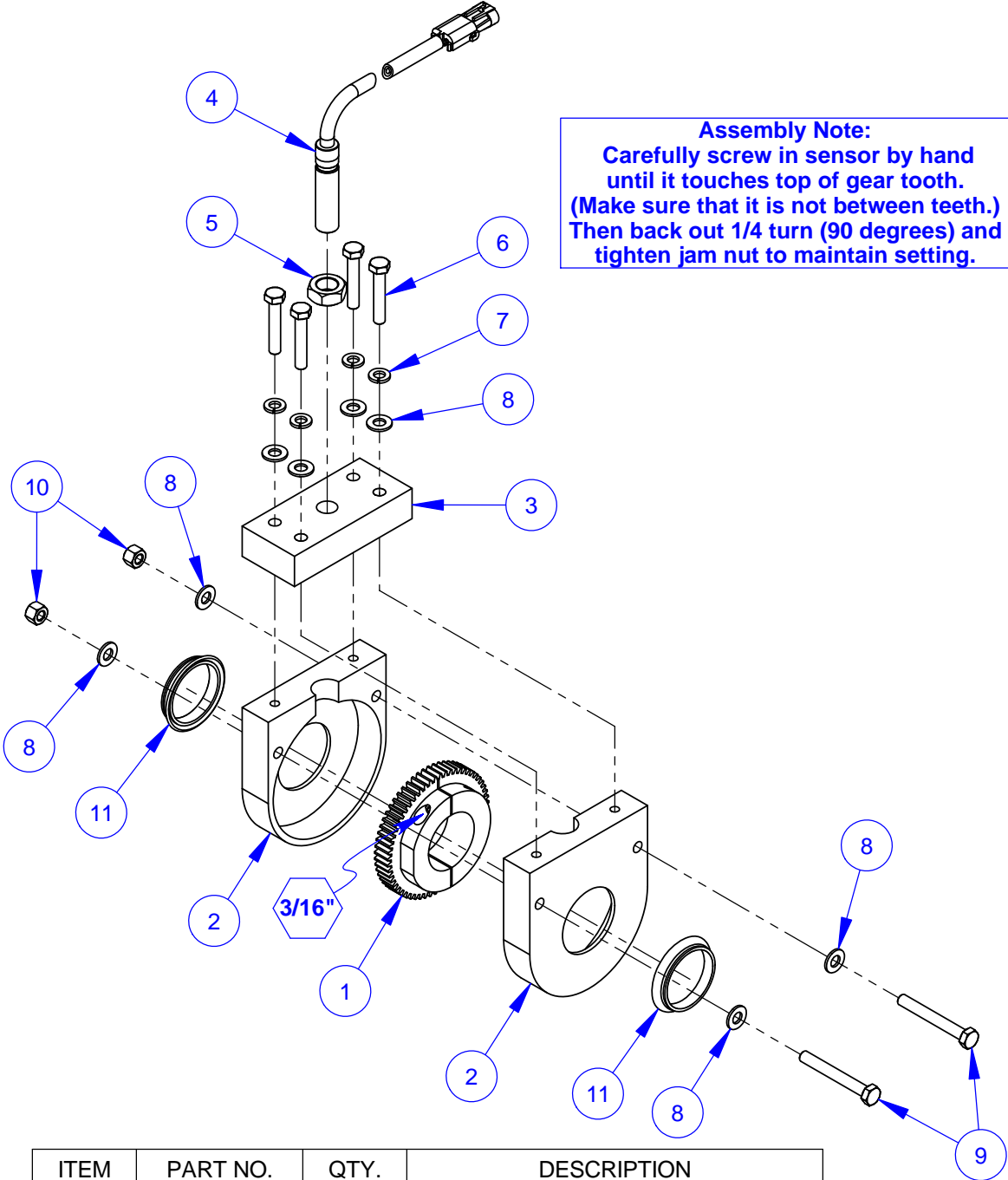
Blade Shaft Assembly #6016082

6016082A for 36" Blades
 6016082B for 42" Blades
 6016082C for 48" Blades
 6016082D for 54" Blades
 6016082E for 60" Blades



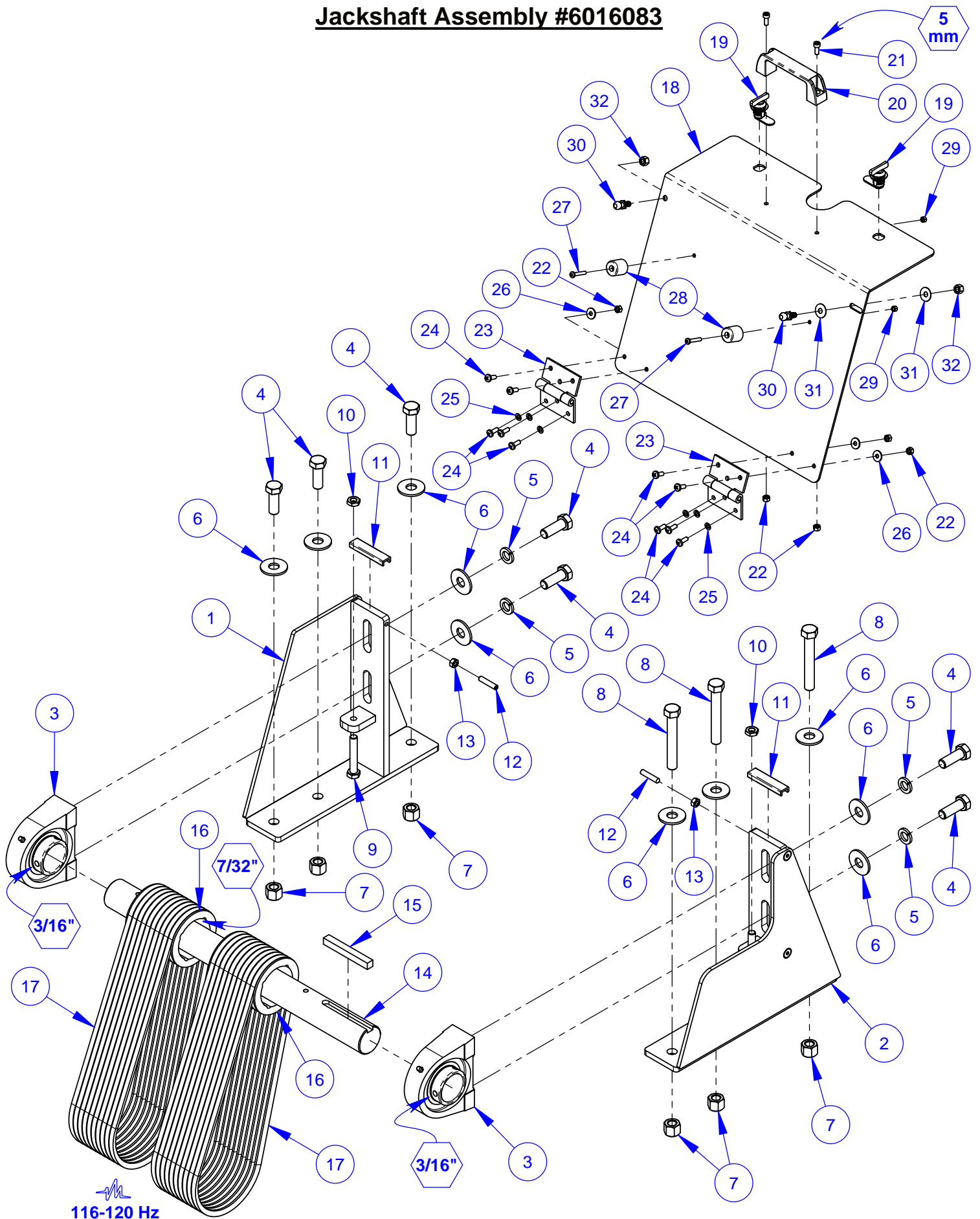
ITEM	PART NO.	6016082A QTY.	6016082B QTY.	6016082C QTY.	6016082D QTY.	6016082E QTY.	DESCRIPTION
1	6016215	1	1	1	1	1	Blade Shaft
2	2500151	3	3	3	3	3	Blade Shaft Bearing, 1-3/4"
3	2900709	3	3	3	3	3	Grease Fitting, 1/8" NPT x 2-5/8"
4	2900527	6	6	6	6	6	Cap Screw, Hex Hd., 5/8-11 x 2-1/2"
5	2900113	6	6	6	6	6	Lock Washer, 5/8" Split
6	2900002	6	6	6	6	6	Flat Washer, 5/8" SAE
7	6013019	2	2	2	2	2	Blade Shaft Bearing Spacer 1"
8	6047959	2	2	2	2	2	Key, 3/8" Sq. x 2-1/4"
9	6010040	2	2	4	4	4	Key, 1/4" Sq. x 15/16"
10	2900418	2	2	4	4	4	Set Screw, Soc. Hd., 5/16-18 x 5/8"
11	2900146	1	1	1	1	1	Cap Screw, Hex Hd., 5/8-11 x 4"
12	2900412	1	1	1	1	1	Wedge Lock Washer Pair, 5/8"
13	2900130	1	1	1	1	1	Cap Screw, Hex Hd., 5/8-11 x 4" LH
14	2901569	1	1	1	1	1	Wedge Lock Washer Pair, 5/8" LH
15	6010038	2	-	-	-	-	Inner Flange 6"
16	6010039	2	-	-	-	-	Outer Flange 6" with Pin
17	6017230	-	2	-	-	-	Inner Flange 7"
18	6017231	-	2	-	-	-	Outer Flange 7" with Pin
19	6013017	-	-	2	-	-	Inner Flange 8"
20	6013018	-	-	2	-	-	Outer Flange 8" with Pin
21	6016252	-	-	-	2	-	Inner Flange 9"
22	6016253	-	-	-	2	-	Outer Flange 9" with Pin
23	6040039	-	-	-	-	2	Inner Flange 10"
24	6040040	-	-	-	-	2	Outer Flange 10" with Pin
25	6013046	2	2	2	2	2	Sheave, 6" x 10 Groove w/Bushing
26	6016091	1	1	1	1	1	Shaft Tach Gear Assembly

Shaft Tach Gear Assembly #6016091



ITEM	PART NO.	QTY.	DESCRIPTION
1	6010230	1	Shaft Tach Gear, Split
2	6010669	2	Shaft Tach Gear Guard
3	6016269	1	Shaft Tach Guard Spacer 1"
4	2800169	1	Magnetic Speed Sensor
5	2900685	1	Jam Nut, 5/8-18
6	2900538	4	Cap Screw, Hex Hd., 5/16-18 x 1-3/4"
7	2900031	4	Lock Washer, 5/16" Split
8	2900022	8	Flat Washer, 5/16" SAE
9	2900726	2	Cap Screw, Hex Hd., 5/16-18 x 2-1/2"
10	2900039	2	Lock Nut, 5/16-18 Nylon
11	2501752	2	Seal, 1-3/4" V-Ring

Jackshaft Assembly #6016083

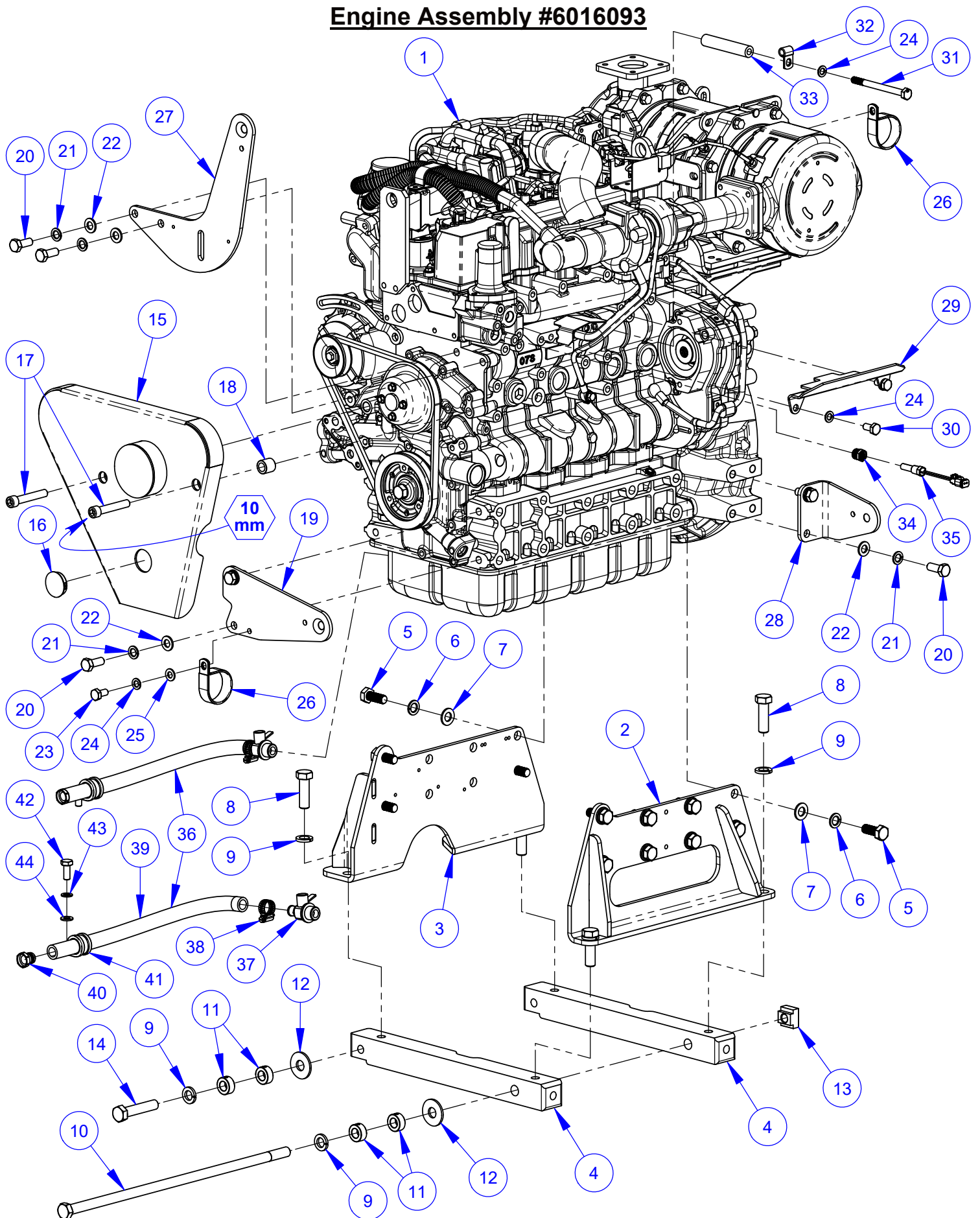


116-120 Hz

Jackshaft Assembly #6016083

ITEM	PART NO.	QTY.	DESCRIPTION
1	6016206	1	Jackshaft Mount R.H.
2	6016207	1	Jackshaft Mount L.H.
3	2500435	2	Pillow Block Bearing 2"
4	2900147	7	Cap Screw, Hex Hd., 5/8-11 x 1-3/4"
5	2900113	4	Lock Washer, 5/8" Split
6	2900721	10	Flat Washer, 5/8" USS Hardened
7	2900135	6	Lock Nut, 5/8-11 Nylon
8	2900601	3	Cap Screw, Hex Hd., 5/8-11 x 4-1/4"
9	2901347	2	Tap Bolt, Hex Hd., M12-1.75 x 70mm
10	2901386	2	Jam Nut, M12-1.75
11	6016234	2	Edge Cushion 3"
12	2900274	2	Set Screw, Soc. Hd., M8-1.25 x 40mm
13	2900343	2	Hex Nut, M8-1.25
14	6016209	1	Jackshaft
15	4641010	1	Key, 1/2" Sq. x 4" Long
16	6010544	2	Sheave, 4" x 10 Groove w/Bushing
	2501380	1	Sheave, 4" x 10 Groove Taper Style
	2501411	1	Taper Bushing, 2" w/Setscrews & Key
17	2504575	2	V-Belt 3VX425K (Matched Set of 10)
18	6016208	1	Jackshaft Guard
19	2506080	2	Latch, Door
20	2400145	1	Handle
21	2900553	2	Cap Screw, Soc. Hd., M6-1.0 x 16mm
22	2900302	6	Lock Nut, M6-1.0 Nylon Insert
23	2500270	2	Blade Guard Hinge
24	2901368	10	Machine Screw, Pan Hd., M6-1.0 x 16mm
25	2900765	6	Lock Washer, M6 Split
26	2901359	4	Fender Washer, M6
27	2901365	2	Machine Screw, Pan Hd., M5-0.8 x 30mm
28	2501093	2	Bumper, 1"
29	2900301	2	Lock Nut, M5-0.8 Nylon Insert
30	2502791	2	Ball Stud 13mm
31	2900252	2	Belleville Washer, 5/16"
32	2900039	2	Lock Nut, 5/16-18 Nylon

Engine Assembly #6016093

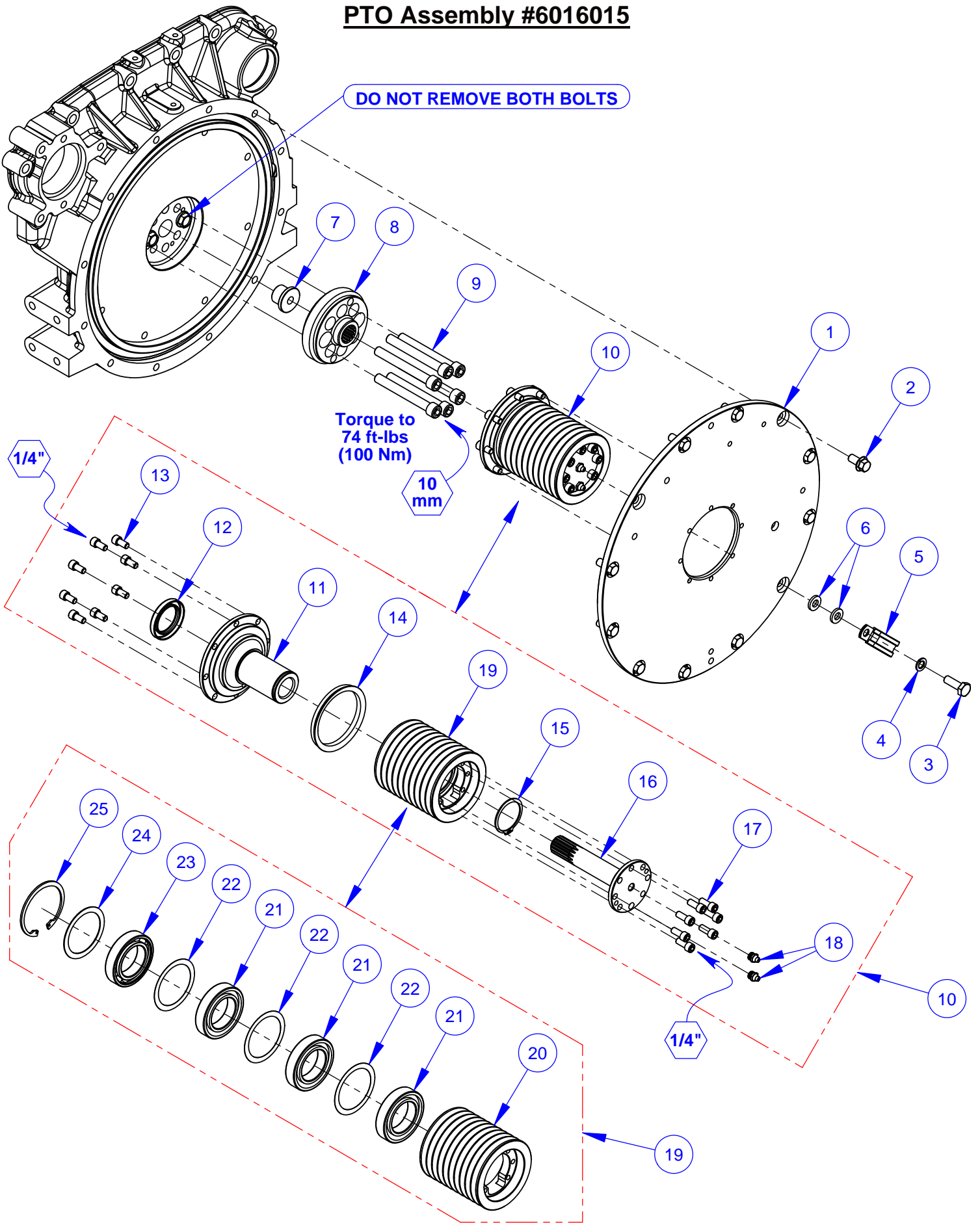


Engine Assembly #6016093

ITEM	PART NO.	QTY.	DESCRIPTION
1	2600742	1	Engine, Kubota V3307 Stage V
2	6016140	1	Engine Support, Front
3	6016141	1	Engine Support, Rear
4	6019025	2	Engine Rail
5	2900874	12	Cap Screw, Hex Hd., M14-1.5 x 35mm
6	2900875	12	Lock Washer, M14 Split
7	2900326	12	Flat Washer, M14
8	2900136	4	Cap Screw, Hex Hd., 5/8-11 x 2"
9	2900113	6	Lock Washer, 5/8" Split
10	2902116	1	Bolt, Hex Head, 5/8-11 x 20"
11	2500008	4	Set Collar, 5/8" with Set Screw
12	2900721	2	Flat Washer, 5/8" USS Hardened
13	2901563	1	T-Nut, 5/8-11
14	2900195	1	Cap Screw, Hex Hd., 5/8-11 x 3"
15	6017209	1	Belt Guard, Engine
16	2500554	1	Plug, 1-1/2" Hole
17	2900751	2	Cap Screw, Soc. Hd., M12-1.25 x 70mm
18	6017134	1	Spacer, 21mm long
19	6016142	1	Radiator Arm, Lower
20	2900746	6	Cap Screw, Hex Hd., M12-1.25 x 30mm
21	2900699	6	Lock Washer, M12 Split
22	2901357	6	Flat Washer, M12
23	2900314	1	Cap Screw, Hex Hd., M10-1.5 x 20mm
24	2900321	4	Lock Washer, M10 Split
25	2901356	1	Flat Washer, M10
26	2506056	2	Hose Clamp, 2" x 3/4" Wide
27	6016143	1	Radiator Arm, Upper
28	6016144	1	Radiator Arm, Lower Bent
29	6017469	1	Heat Shield
30	2901021	2	Cap Screw, Hex Hd., M10-1.25 x 20mm
31	2902143	1	Cap Screw, Hex Hd., M10-1.25 x 120mm
32	2506167	1	Clamp, 3/8"
33	2506168	1	Spacer, 4"
34	3200079	1	Reducer, 3/8" M. to 1/4" F. Pipe
35	6016223	1	Temperature Switch Sender
36	6016064	1	Oil Drain Valve Assembly
ITEM	PART NO.	QTY.	DESCRIPTION
37	3200813	1	Oil Drain Valve, M22x1.5
38	3200016	1	Hose Clamp #8
39	6019086	1	Oil Drain Hose, 5/8" I.D. x 17"
40	3201728	1	Hose Plug
41	3201729	1	Hose Clamp, 1" x 3/4" Wide
42	2900333	1	Cap Screw, Hex Hd., M10-1.5 x 25mm
43	2900321	1	Lock Washer, M10 Split
44	2901356	1	Flat Washer, M10

PTO Assembly #6016015

DO NOT REMOVE BOTH BOLTS



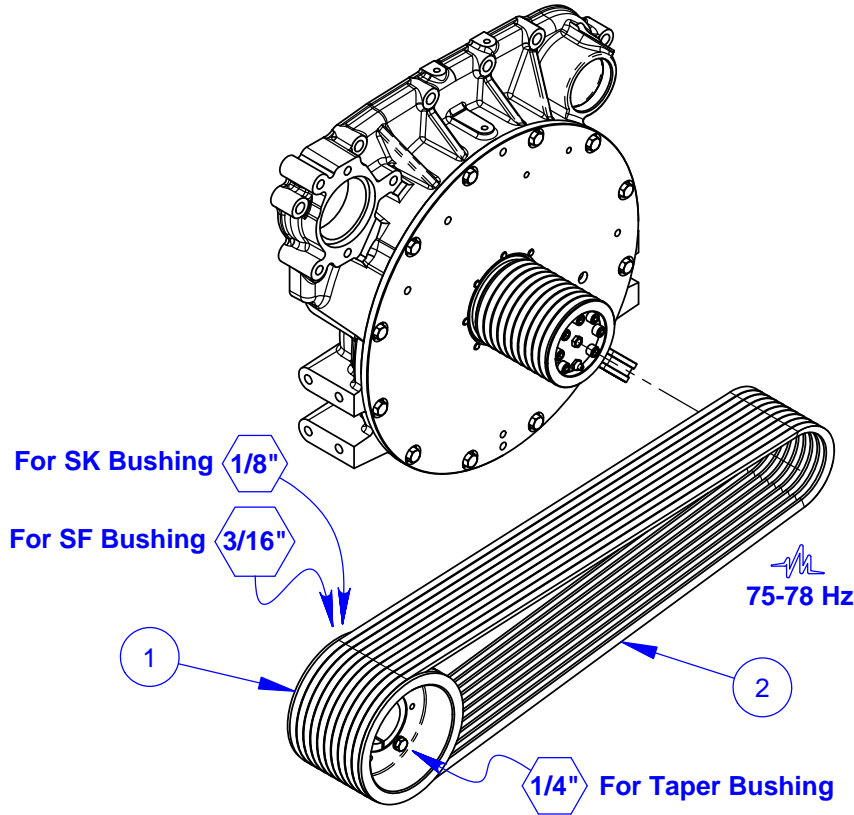
PTO Assembly #6016015

ITEM	PART NO.	QTY.	DESCRIPTION
1	6016194	1	Inner Ring Support
2	2901394	10	Flange Bolt, Hex Hd., M10-1.25 x 20mm
3	2900870	1	Cap Screw, Hex Hd., M10-1.25 x 30mm
4	2900321	1	Lock Washer, M10 Split
5	3201729	1	Hose Clamp, 1" x 3/4" Wide
6	2902135	2	Flat Washer, 3/8" Extra Thick
7	6017354	1	Pilot Arbor
8	6017225	1	Coupling Hub
9	2900882	6	Cap Screw, Soc. Hd., M12-1.25 x 100mm
10	6016016	1	PTO Unit

ITEM	PART NO.	QTY.	DESCRIPTION
11	6017222	1	Shaft Support Sleeve
12	2501643	1	Seal, 1-1/2" x 2-1/4" x 5/16"
13	2900898	8	Cap Screw, Soc. Hd., 5/16-18 x 5/8"
14	2503756	1	Seal, 80mm V-Ring
15	2503758	1	Retaining Ring, 45mm External
16	6017224	1	Splined Drive Shaft
17	2900912	7	Cap Screw, Soc. Hd., 5/16-18 x 3/4"
18	2900062	2	Grease Fitting, 1/8" NPT
19	6016017	1	Sheave Assembly

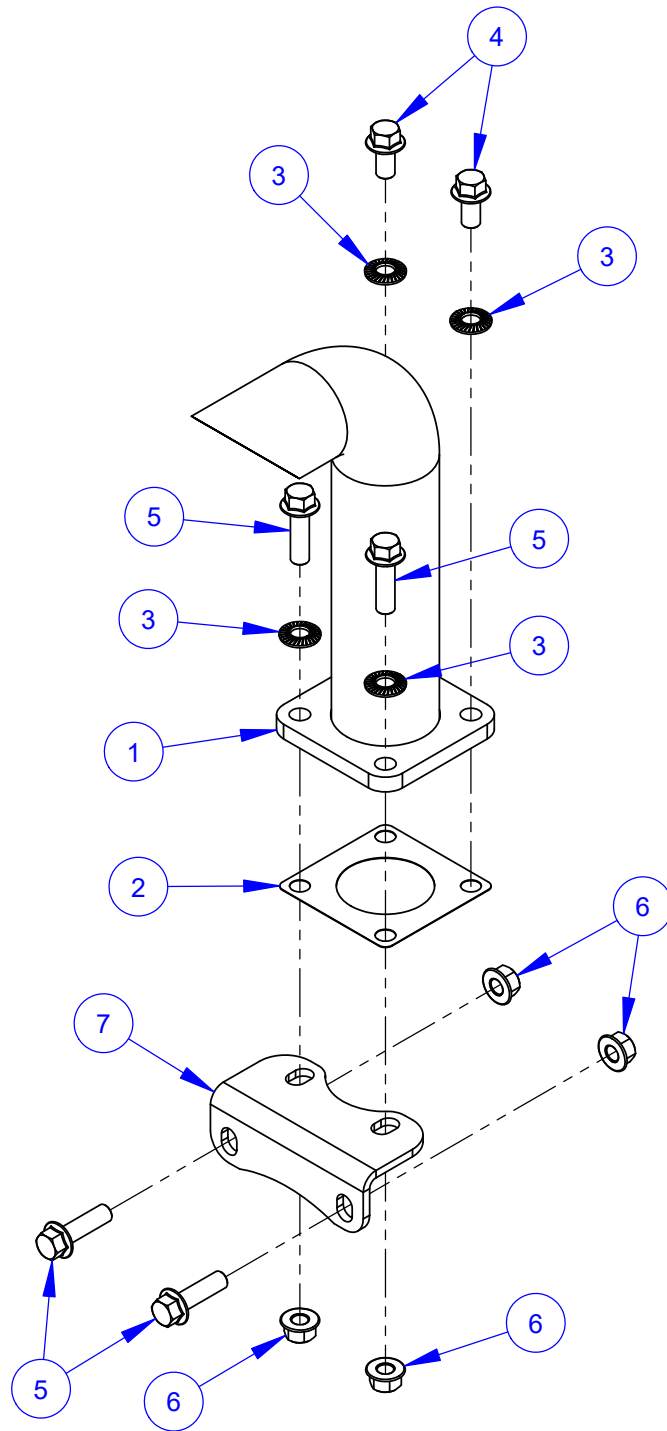
ITEM	PART NO.	QTY.	DESCRIPTION
20	6017223	1	Sheave, 4" x 10 Groove
21	2503760	3	Ball Bearing, 45 x 75 x 16 open
22	2503761	3	Shim, 60mm x 75mm x 0.2mm
23	2503759	1	Ball Bearing, 45 x 75 x 16 w/seal
24	2503762	1	Shim, 60mm x 75mm x 1mm
25	2503757	1	Retaining Ring, 75mm Internal

Belt Drive Assembly #6016084



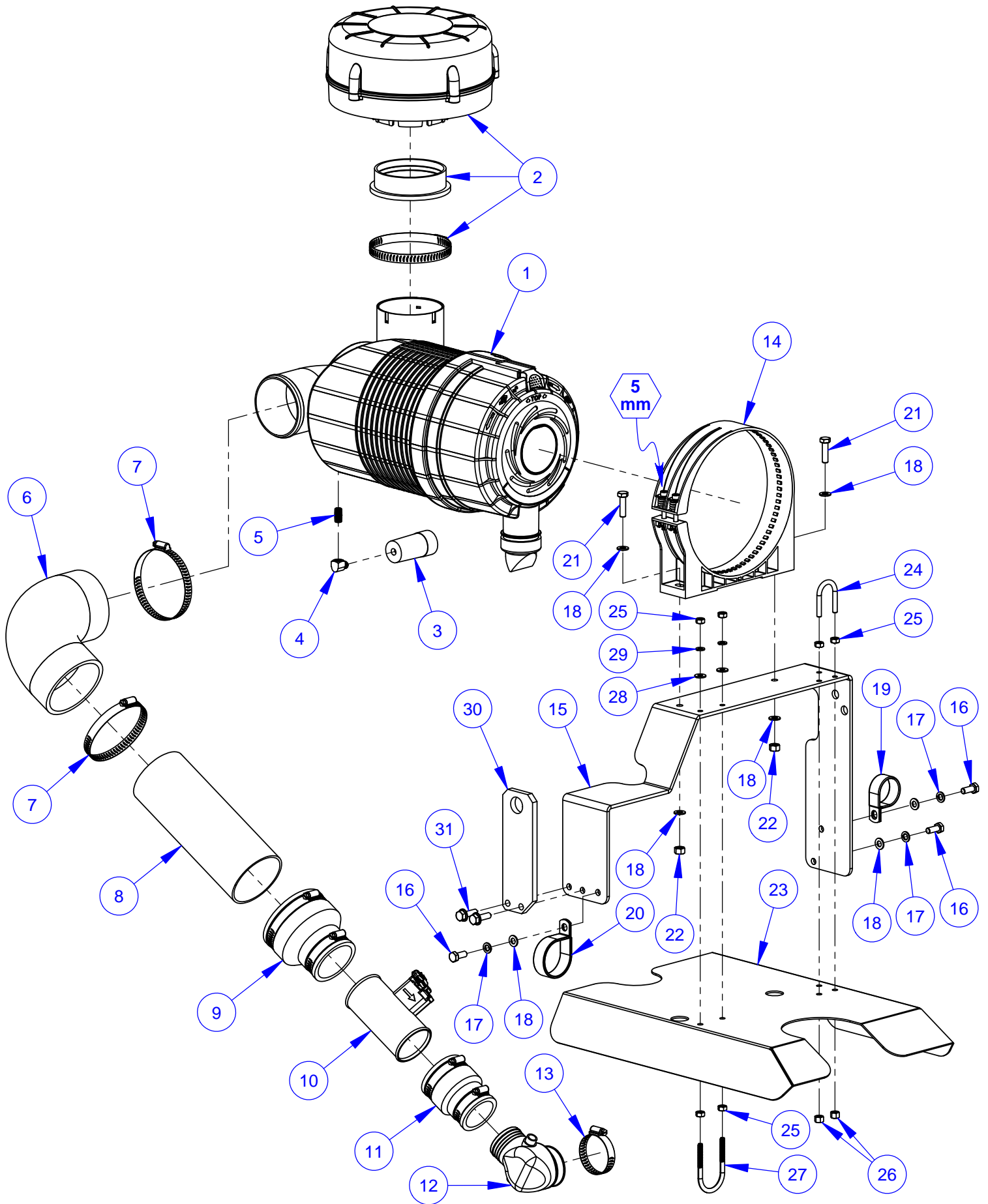
36" BLADE DRIVE #6016084A			
ITEM	PART NO.	QTY.	DESCRIPTION
1	6017436	1	Sheave, 5" x 10 Groove w/Bushing
	2500655	1	Sheave, 5" x 10 Groove Taper Style
	2500937	1	Taper Bushing, 2" w/Setscrews
2	2506132	1	V-Belt 3VX600K (Matched Set of 10)
42" BLADE DRIVE #6016084B			
ITEM	PART NO.	QTY.	DESCRIPTION
1	6013043	1	Sheave, 6" x 10 Groove w/Bushing
	2500439	1	Sheave, 6" x 10 Groove QD Style
	2500153	1	QD Bushing, SK x 2" w/Fasteners
2	2506133	1	V-Belt 3VX616K (Matched Set of 10)
48" BLADE DRIVE #6016084C			
ITEM	PART NO.	QTY.	DESCRIPTION
1	6013213	1	Sheave, 6.9" x 10 Groove w/Bushing
	2500509	1	Sheave, 6.9" x 10 Groove QD Style
	2500153	1	QD Bushing, SK x 2" w/Fasteners
2	2506134	1	V-Belt 3VX630K (Matched Set of 10)
54" & 60" BLADE DRIVE #6016084D			
ITEM	PART NO.	QTY.	DESCRIPTION
1	6013044	1	Sheave, 8" x 10 Groove w/Bushing
	2500440	1	Sheave, 8" x 10 Groove QD Style
	2500210	1	QD Bushing, SF x 2" w/Fasteners
2	2506135	1	V-Belt 3VX650K (Matched Set of 10)

Exhaust Pipe Assembly #6019398



ITEM	PART NO.	QTY.	DESCRIPTION
1	6019414	1	Exhaust Tailpipe
2	2705154	1	Exhaust Flange Gasket
3	2900474	4	Belleville Washer
4	2901394	2	Flange Bolt, Hex Hd., M10-1.25 x 20mm
5	2902294	4	Flange Bolt, Hex Hd., M10-1.25 x 35mm
6	2901398	4	Hex Flange Nut, M10-1.25
7	6016291	1	Tailpipe Support Bracket

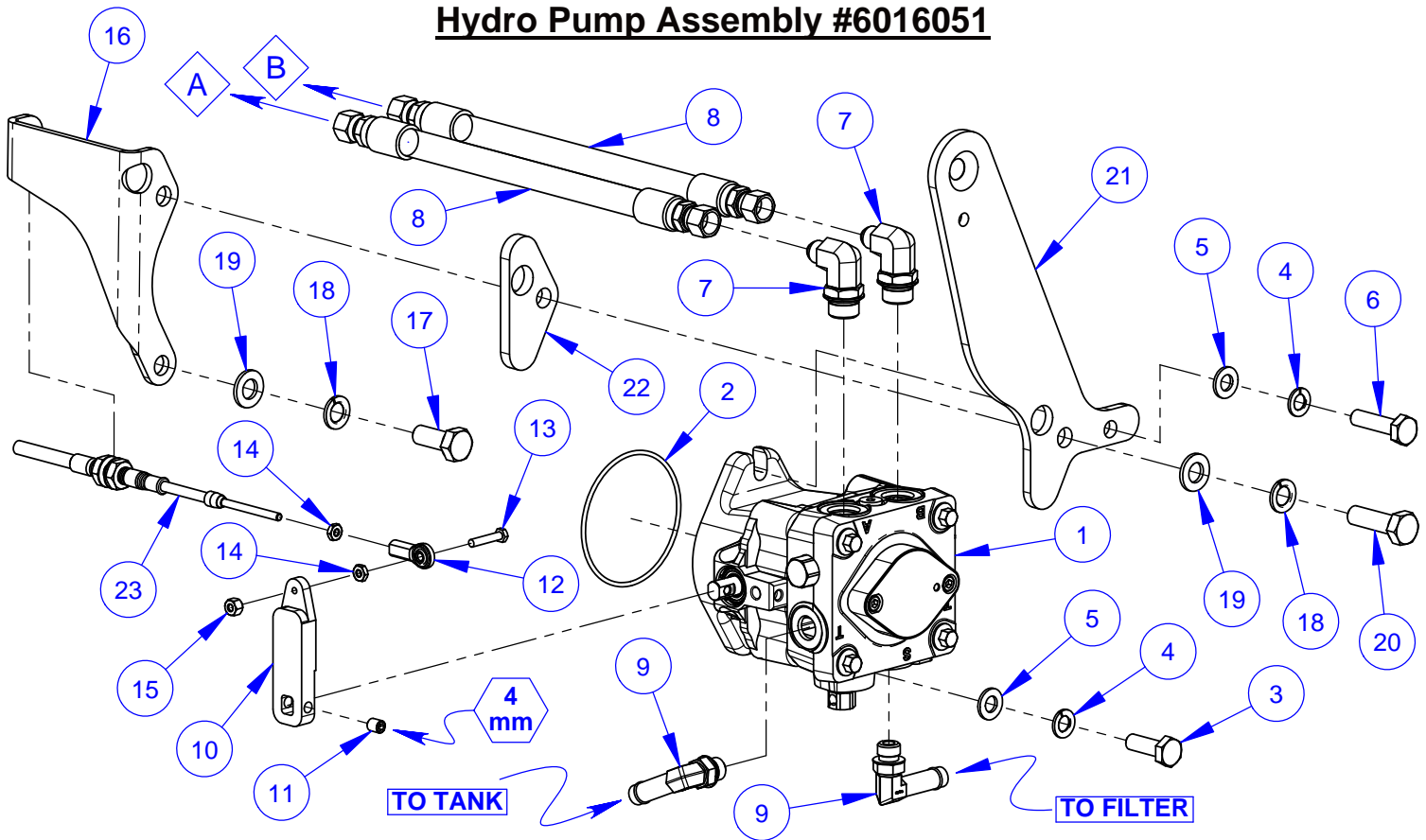
Air Intake Assembly #6016062



Air Intake Assembly #6016062

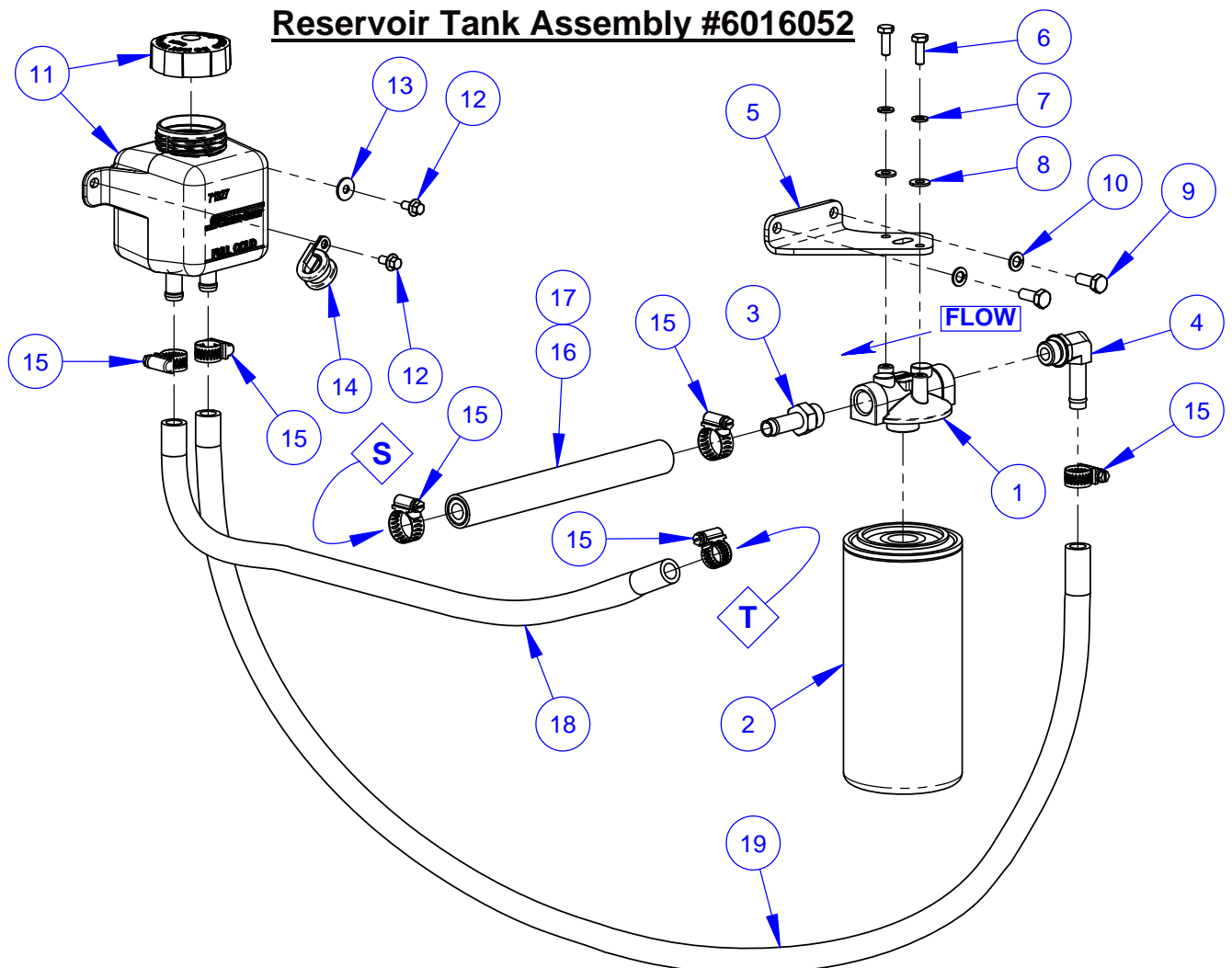
ITEM	PART NO.	QTY.	DESCRIPTION
1	2502182	1	Air Cleaner Complete
	2501352	1	Outer Primary Filter
	2501353	1	Inner Safety Filter
	2500239	1	Rubber Dust Ejector Boot
2	2501504	1	Pre-Cleaner w/Clamp & Adapter Ring
3	2500423	1	Restriction Indicator
4	3200156	1	Street Elbow, 1/8" NPT
5	3200117	1	Close Nipple, 1/8" NPT
6	2500427	1	Hose Elbow, 3-1/2" I.D.
7	3200198	2	Hose Clamp #64
8	6017490	1	Air Intake Tube
9	2506036	1	Hose Coupling Reducer w/Clamps
	3200198	1	Hose Clamp #64
	3200096	1	Hose Clamp #40
10	2705147	1	MAF Sensor
11	2506034	1	Hose Coupling Reducer w/Clamps
	3200095	1	Hose Clamp #32
	3200096	1	Hose Clamp #40
12	2506012	1	Hose Elbow, 2"
13	3200095	1	Hose Clamp #32
14	2501351	1	Mounting Band, Polymer
15	6017476	1	Air Cleaner Platform
16	2900329	3	Cap Screw, Hex Hd., M8-1.25 x 20mm
17	2900763	3	Lock Washer, M8 Split
18	2901336	7	Flat Washer, M8
19	2506089	1	Hose Clamp, 1-1/2"
20	2506056	1	Hose Clamp, 2" x 3/4" Wide
21	2900313	2	Cap Screw, Hex Hd., M8-1.25 x 30mm
22	2900303	2	Lock Nut, M8-1.25 Nylon Insert
23	6016189	1	Air Intake Shield
24	2900241	1	U-Bolt, 1/2" Pipe
25	2900125	6	Hex Nut, 1/4-20
26	2900010	2	Lock Nut, 1/4-20 Nylon
27	2900379	1	U-Bolt, 1" Pipe
28	2900009	2	Flat Washer, 1/4" SAE
29	2900024	2	Lock Washer, 1/4" Split
30	2704974	1	Engine Lift Hook
31	2901560	2	Cap Screw, Hex Flange, M8-1.25 x 25mm

Hydro Pump Assembly #6016051



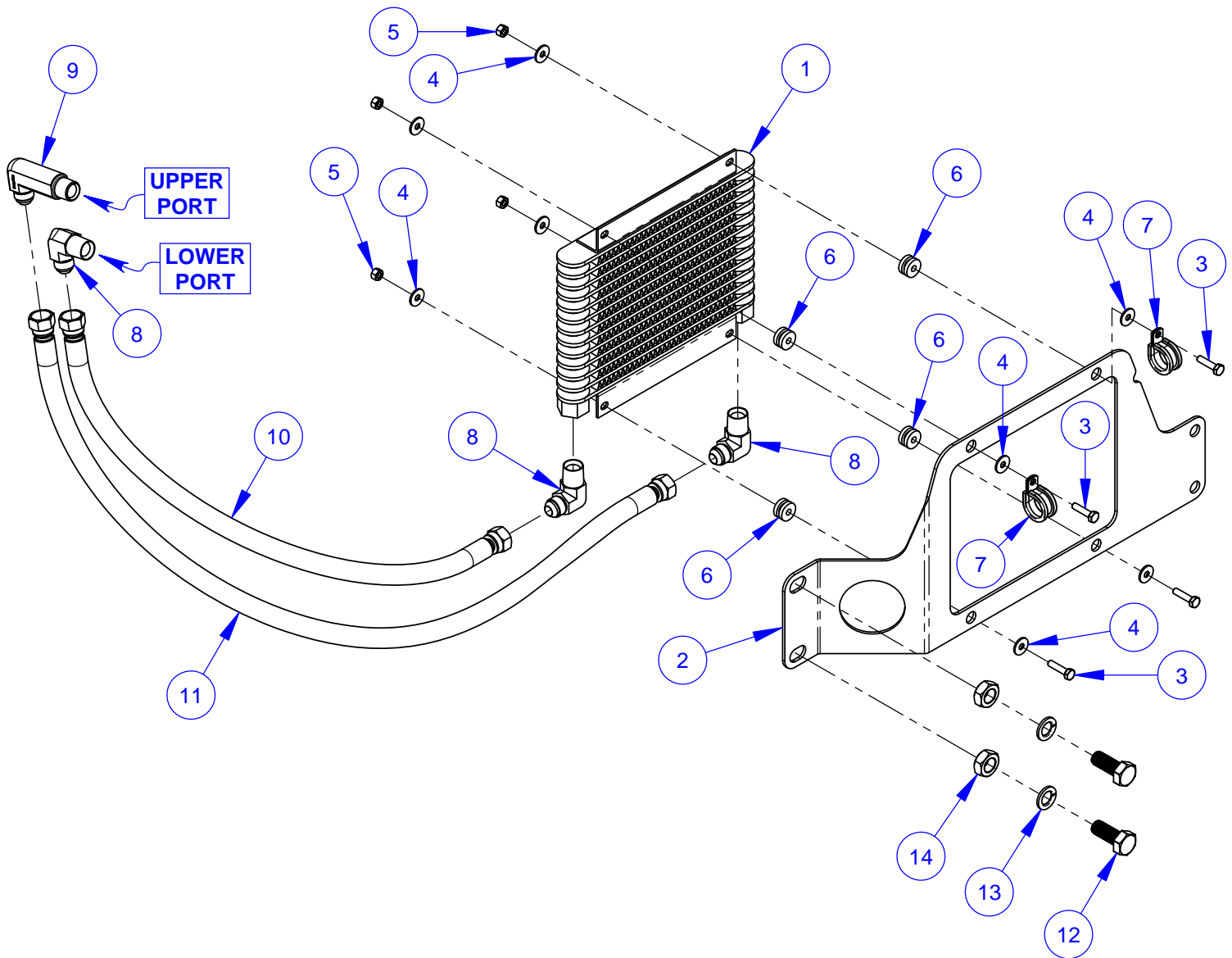
ITEM	PART NO.	QTY.	DESCRIPTION
1	2600550	1	Hydro Pump
2	2503897	1	O-Ring, AS568A-152 Viton
3	2900870	1	Cap Screw, Hex Hd., M10-1.25 x 30mm
4	2900321	2	Lock Washer, M10 Split
5	2901356	2	Flat Washer, M10
6	2900799	1	Cap Screw, Hex Hd., M10-1.25 x 40mm
7	3201725	2	Elbow, 1/2" O-Ring to 3/8" M. JIC
8	6017294	2	Hose Assembly 3/8" x 46"
9	3202892	2	Elbow, 3/8" O-Ring to 1/2" Hose Bead
10	6017137	1	Control Arm
11	2900429	1	Set Screw, Soc. Hd., 5/16-24 x 1/2"
12	2500791	1	Rod End, #10-32 Female
13	2900687	1	Machine Screw, Hex Hd., #10-32 x 1"
14	2900188	2	Hex Nut, #10-32
15	2900688	1	Lock Nut, #10-32 Nylon
16	6016193	1	Control Cable Bracket
17	2900746	1	Cap Screw, Hex Hd., M12-1.25 x 30mm
18	2900699	2	Lock Washer, M12 Split
19	2901357	2	Flat Washer, M12
20	2901598	1	Cap Screw, Hex Hd., M12-1.25 x 40mm
21	6016145	1	Radiator Arm, Upper Offset
22	6016146	1	Triangle Spacer
23	2506109	1	Control Cable 60"

Reservoir Tank Assembly #6016052



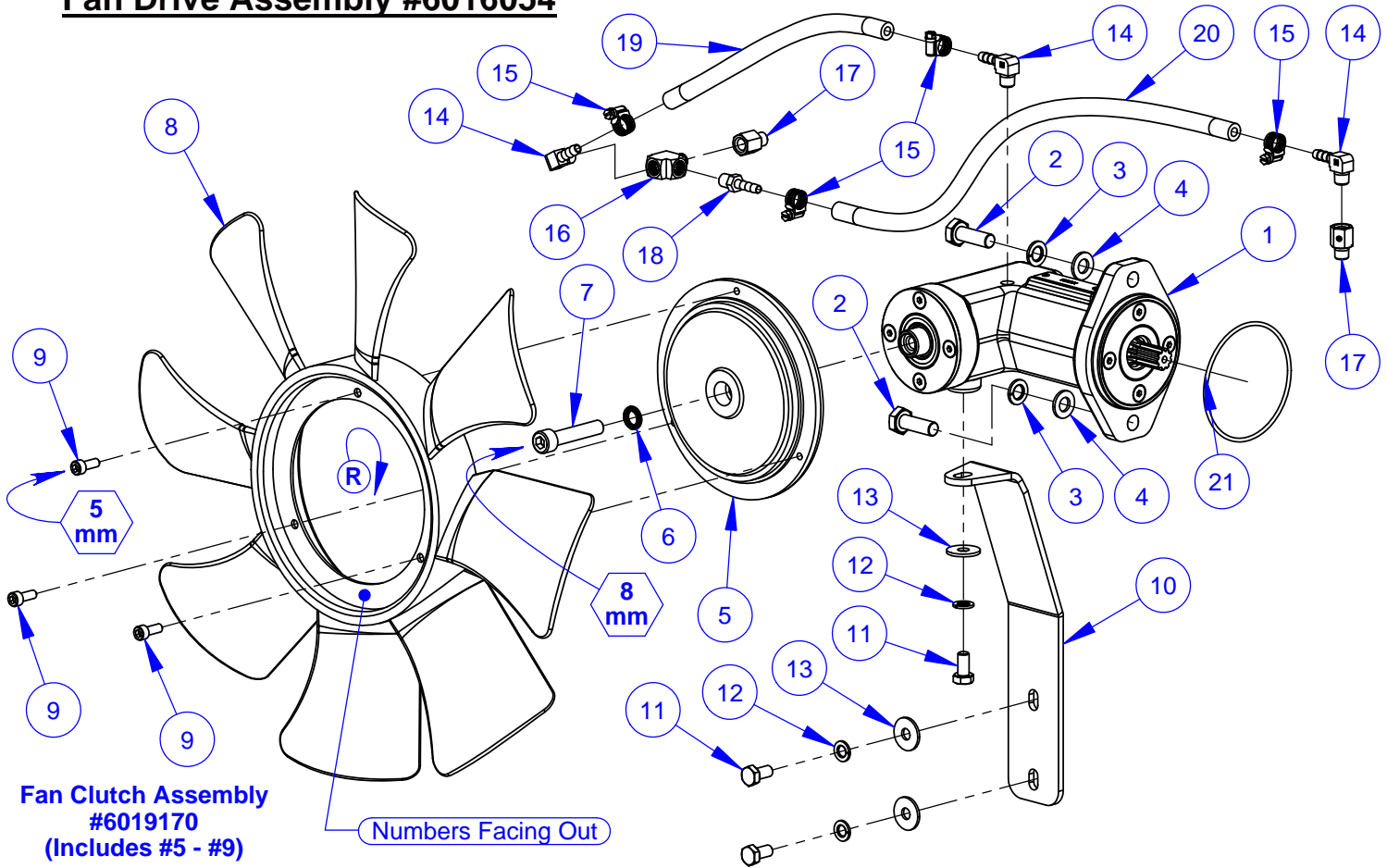
ITEM	PART NO.	QTY.	DESCRIPTION
1	3201970	1	Filter Head
2	3201971	1	Filter Element
3	3201895	1	Adapter, 1/2" O-Ring to 1/2" Hose Bead
4	3201896	1	Elbow, 1/2" O-Ring to 1/2" Hose Bead
5	6016147	1	Oil Filter Mount Bracket
6	2900144	2	Cap Screw, Hex Hd., 1/4-20 x 3/4"
7	2900024	2	Lock Washer, 1/4" Split
8	2900009	2	Flat Washer, 1/4" SAE
9	2900329	2	Cap Screw, Hex Hd., M8-1.25 x 20mm
10	2900763	2	Lock Washer, M8 Split
11	2503796	1	Reservoir Tank & Cap
12	2901370	2	Cap Screw, Hex Flange, M6-1.0 x 12mm
13	2901359	1	Fender Washer, M6
14	2500999	1	Clamp, 5/8" Hose
15	3200016	6	Hose Clamp #8
16	6016235	1	Hose Sleeving 9"
17	6016241	1	Hose, 1/2" I.D. x 9"
18	6016242	1	Hose, 1/2" I.D. x 26"
19	6016243	1	Hose, 1/2" I.D. x 50"

Oil Cooler Assembly #6016053



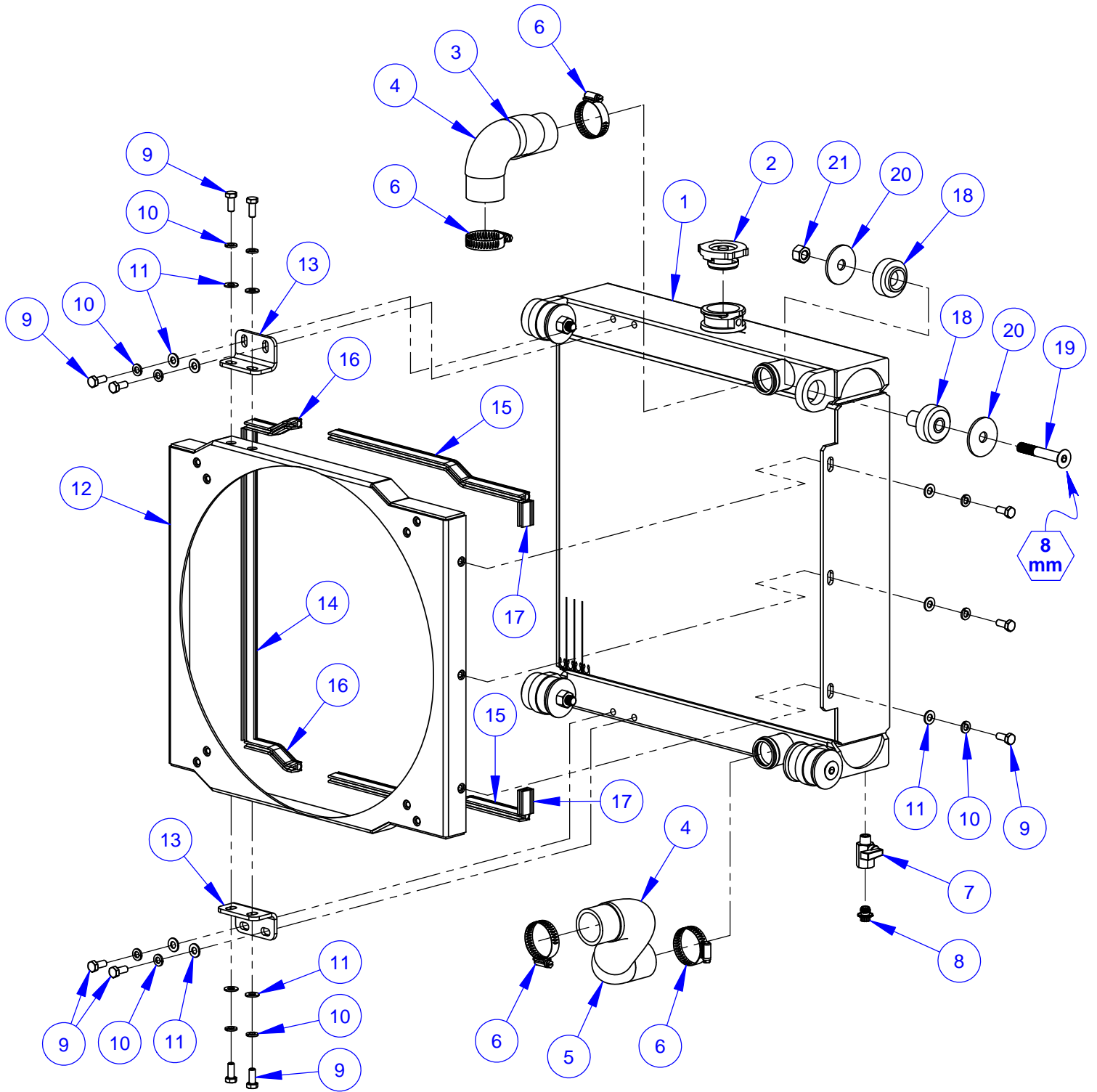
ITEM	PART NO.	QTY.	DESCRIPTION
1	2506052	1	Oil Cooler
2	6016148	1	Oil Cooler Bracket
3	2900311	4	Cap Screw, Hex Hd., M6-1.0 x 25mm
4	2901359	8	Fender Washer, M6
5	2900302	4	Lock Nut, M6-1.0 Nylon Insert
6	2503986	4	Grommet, 1/4" I.D.
7	2400189	2	Hose Clamp, 7/8" x 1/2" Wide
8	3201461	3	Elbow, 1/2" M. JIC to 1/2" M. Pipe
9	3202846	1	Elbow, 1/2" M. JIC to 1/2" M. Pipe XL
10	6017290	1	Hose Assembly 1/2" x 24"
11	6016097	1	Hose Assembly 1/2" x 36"
12	2900874	2	Cap Screw, Hex Hd., M14-1.5 x 35mm
13	2900875	2	Lock Washer, M14 Split
14	2900685	2	Jam Nut, 5/8-18

Fan Drive Assembly #6016054



ITEM	PART NO.	QTY.	DESCRIPTION
1	6019176	1	Right Angle Drive Assembly
2	2900870	2	Cap Screw, Hex Hd., M10-1.25 x 30mm
3	2900321	2	Lock Washer, M10 Split
4	2901356	2	Flat Washer, M10
5	2504585	1	Fan Clutch
6	2901575	1	Wedge Lock Washer Pair, M10
7	2901506	1	Cap Screw, Soc. Hd., M10-1.5 x 50mm
8	6019143	1	Cooling Fan, 17"
9	2900553	3	Cap Screw, Soc. Hd., M6-1.0 x 16mm
10	6016149	1	Fan Drive Brace
11	2900868	3	Cap Screw, Hex Hd., M8-1.25 x 16mm
12	2900763	3	Lock Washer, M8 Split
13	2900383	3	Fender Washer, M8
14	3200363	3	Elbow, 1/8" M. Pipe to 1/4" Hose Barb
15	3200062	4	Hose Clamp #4
16	3200274	1	Street Tee, 1/8" NPT
17	3202099	2	Adapter, 1/8" M. BSPT to 1/8" F. Pipe
18	3200018	1	Fitting, 1/8" M. Pipe to 1/4" Hose Barb
19	6016244	1	Hose, 1/4" I.D. x 11"
20	6011062	1	Hose, 1/4" I.D. x 20"
21	2503897	1	O-Ring, AS568A-152 Viton

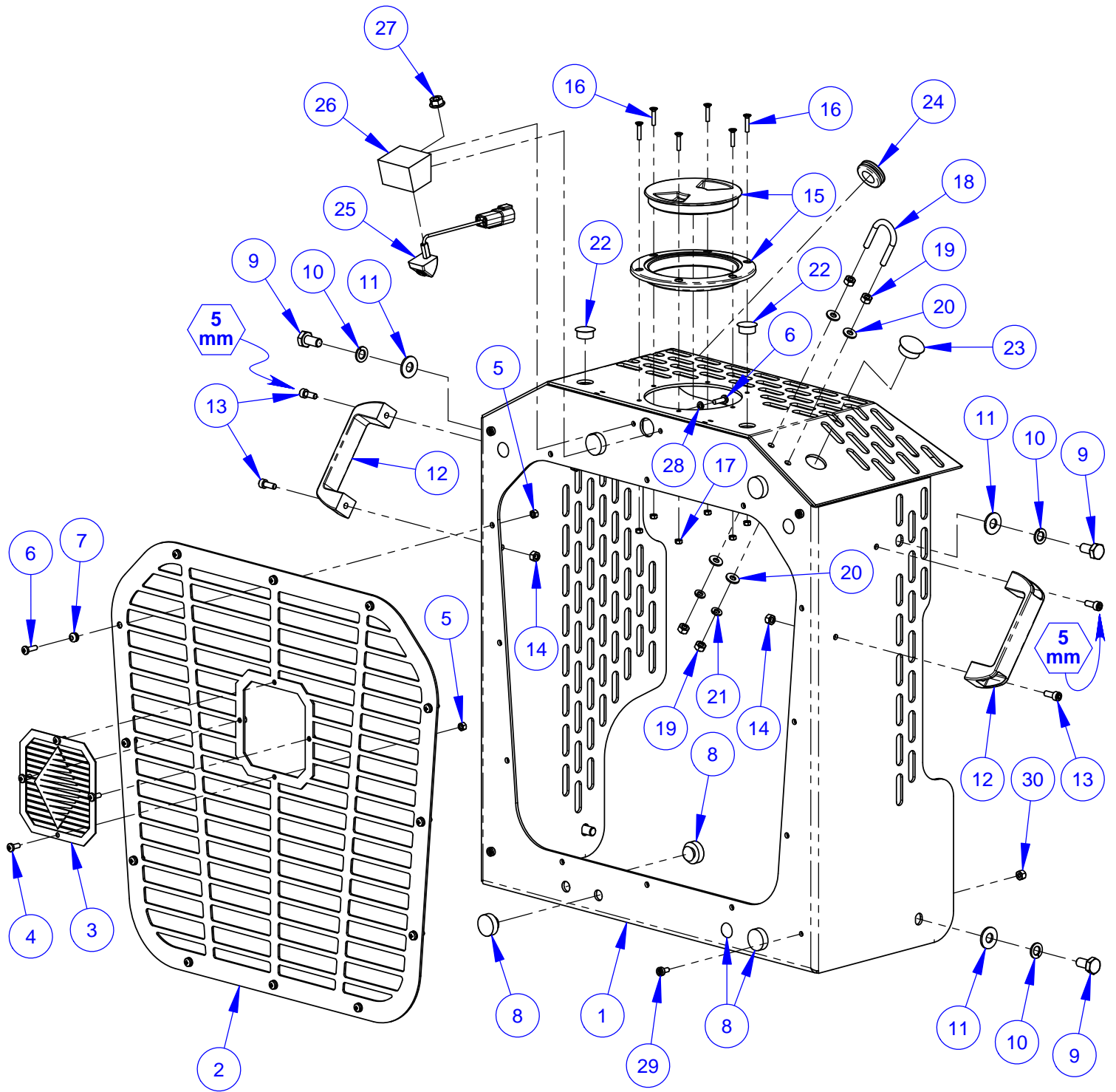
Radiator Assembly #6016055



Radiator Assembly #6016055

ITEM	PART NO.	QTY.	DESCRIPTION
1	2503664	1	Radiator
2	2502381	1	Radiator Cap
3	3202893	1	Radiator Hose, Upper
4	6019264	2	Hose Sleeving, 8" Long
5	6016096	1	Radiator Hose, Lower
6	3202142	4	Hose Clamp #24
7	3200108	1	Ball Valve, 1/4" NPT
8	3202938	1	Plug, 1/4" NPT (Red)
9	2900019	11	Cap Screw, Hex Hd., 5/16-18 x 3/4"
10	2900031	11	Lock Washer, 5/16" Split
11	2900022	11	Flat Washer, 5/16" SAE
12	6019140	1	Fan Shroud
13	6019139	2	Retainer Bracket
14	6019111	1	Edge Trim Seal 16-1/4"
15	6019112	2	Edge Trim Seal 13-3/4"
16	6019113	2	Edge Trim Seal 3-1/2"
17	6019114	2	Edge Trim Seal 1-1/4"
18	2503669	4	Vibration Isolator
19	2901391	4	Cap Screw, Flat Hd., M12-1.75 x 80mm
20	2900854	6	Fender Washer, 1/2" x 2"
21	2900327	4	Lock Nut, M12-1.75 Nylon Insert

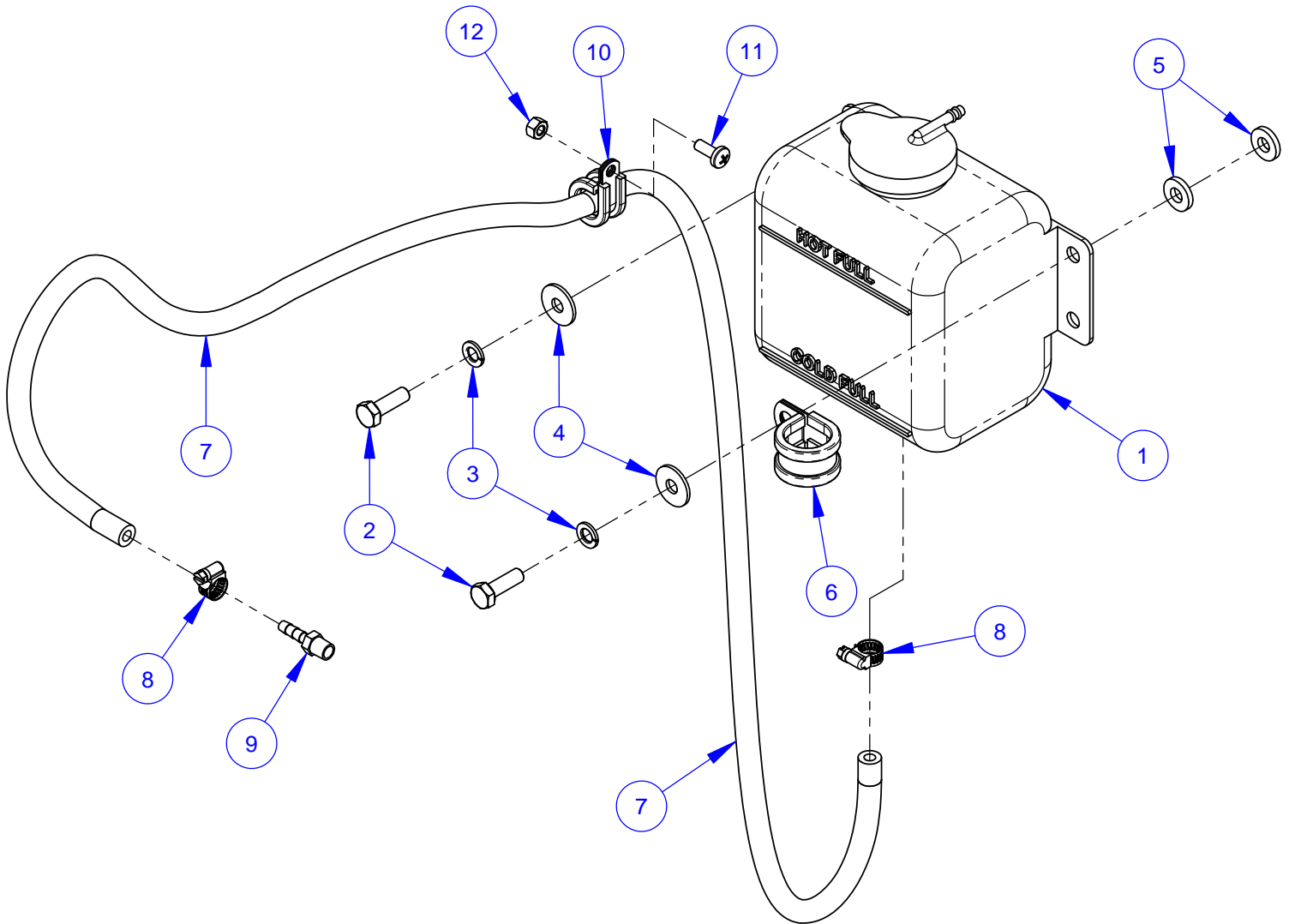
Radiator Shroud Assembly #6016057



Radiator Shroud Assembly #6016057

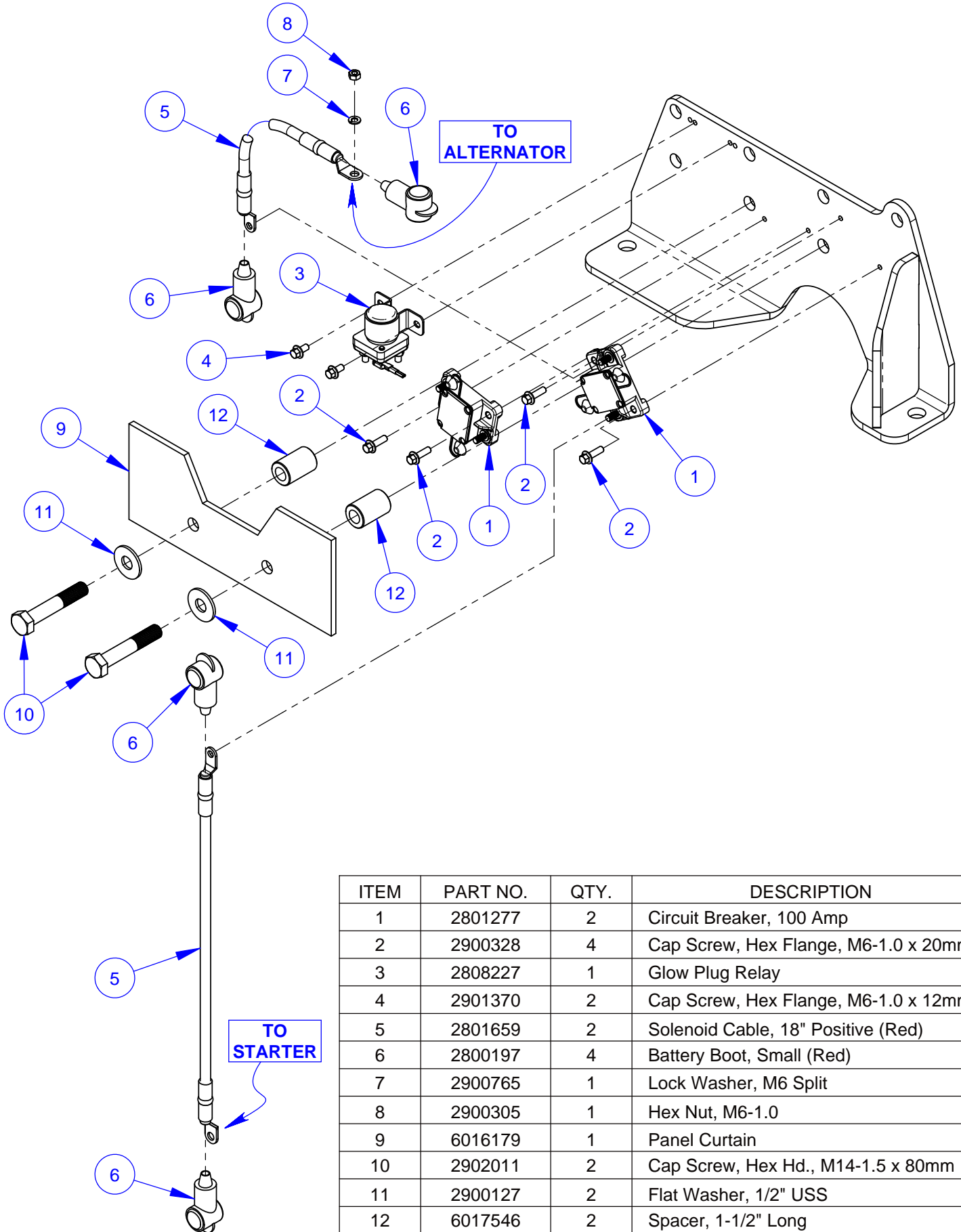
ITEM	PART NO.	QTY.	DESCRIPTION
1	6016181	1	Radiator Shroud
2	6016182	1	Radiator Grille
3	6016138	1	Diamond Logo Emblem
4	2900794	4	Machine Screw, Pan Hd., M5-0.8 x 12mm
5	2900301	16	Lock Nut, M5-0.8 Nylon Insert
6	2902122	14	Machine Screw, Pan Hd., M5-0.8 x 16mm
7	2500962	12	Grommet, 3/16" I.D.
8	2502389	8	Button Bumper
9	2900314	4	Cap Screw, Hex Hd., M10-1.5 x 20mm
10	2900321	4	Lock Washer, M10 Split
11	2900473	4	Flat Washer, 3/8" USS
12	2400145	2	Handle
13	2900553	4	Cap Screw, Soc. Hd., M6-1.0 x 16mm
14	2900302	4	Lock Nut, M6-1.0 Nylon Insert
15	2506111	1	Access Cover Plate
16	2901384	6	Machine Screw, Flat Hd., M4-0.7 x 20mm
17	2900457	6	Lock Nut, M4-0.7 Nylon Insert
18	2900241	1	U-Bolt, 1/2" Pipe
19	2900125	4	Hex Nut, 1/4-20
20	2900009	4	Flat Washer, 1/4" SAE
21	2900024	2	Lock Washer, 1/4" Split
22	2500463	2	Plug, 3/4" Hole
23	2500489	1	Plug, 1" Hole
24	2508018	1	Grommet, 11/16" I.D.
25	6016230	1	Camera, Front View
26	6016188	1	Camera Mount Block
27	2902012	1	Hex Flange Nut, M8-1.25
28	2900767	2	Lock Washer, M5 Split
29	2505988	4	Snap Stud, #10-32
30	2900688	4	Lock Nut, #10-32 Nylon

Coolant Tank Assembly #6016056



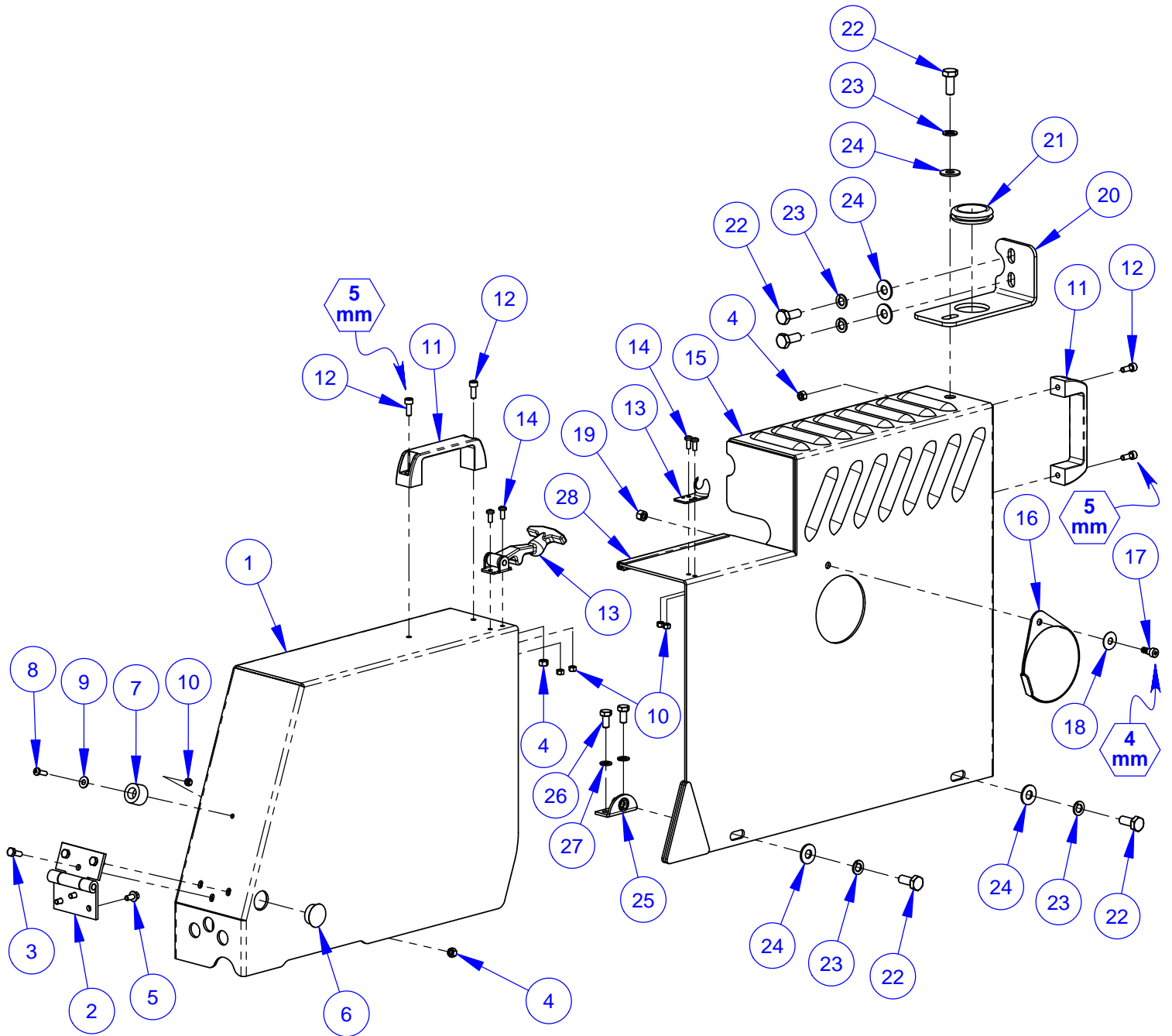
ITEM	PART NO.	QTY.	DESCRIPTION
1	2503716	1	Coolant Recovery Tank & Cap
2	2900360	2	Cap Screw, Hex Hd., M8-1.25 x 25mm
3	2900763	2	Lock Washer, M8 Split
4	2900383	2	Fender Washer, M8
5	2902120	2	Flat Washer, 5/16" Extra Thick
6	3201729	1	Hose Clamp, 1" x 3/4" Wide
7	6016245	1	Hose, 1/4" I.D. x 55"
8	3200062	2	Hose Clamp #4
9	3200018	1	Fitting, 1/8" M. Pipe to 1/4" Hose Barb
10	2500999	1	Clamp, 5/8" Hose
11	2901368	1	Machine Screw, Pan Hd., M6-1.0 x 16mm
12	2900302	1	Lock Nut, M6-1.0 Nylon Insert

Breaker Panel Assembly #6016059



ITEM	PART NO.	QTY.	DESCRIPTION
1	2801277	2	Circuit Breaker, 100 Amp
2	2900328	4	Cap Screw, Hex Flange, M6-1.0 x 20mm
3	2808227	1	Glow Plug Relay
4	2901370	2	Cap Screw, Hex Flange, M6-1.0 x 12mm
5	2801659	2	Solenoid Cable, 18" Positive (Red)
6	2800197	4	Battery Boot, Small (Red)
7	2900765	1	Lock Washer, M6 Split
8	2900305	1	Hex Nut, M6-1.0
9	6016179	1	Panel Curtain
10	2902011	2	Cap Screw, Hex Hd., M14-1.5 x 80mm
11	2900127	2	Flat Washer, 1/2" USS
12	6017546	2	Spacer, 1-1/2" Long

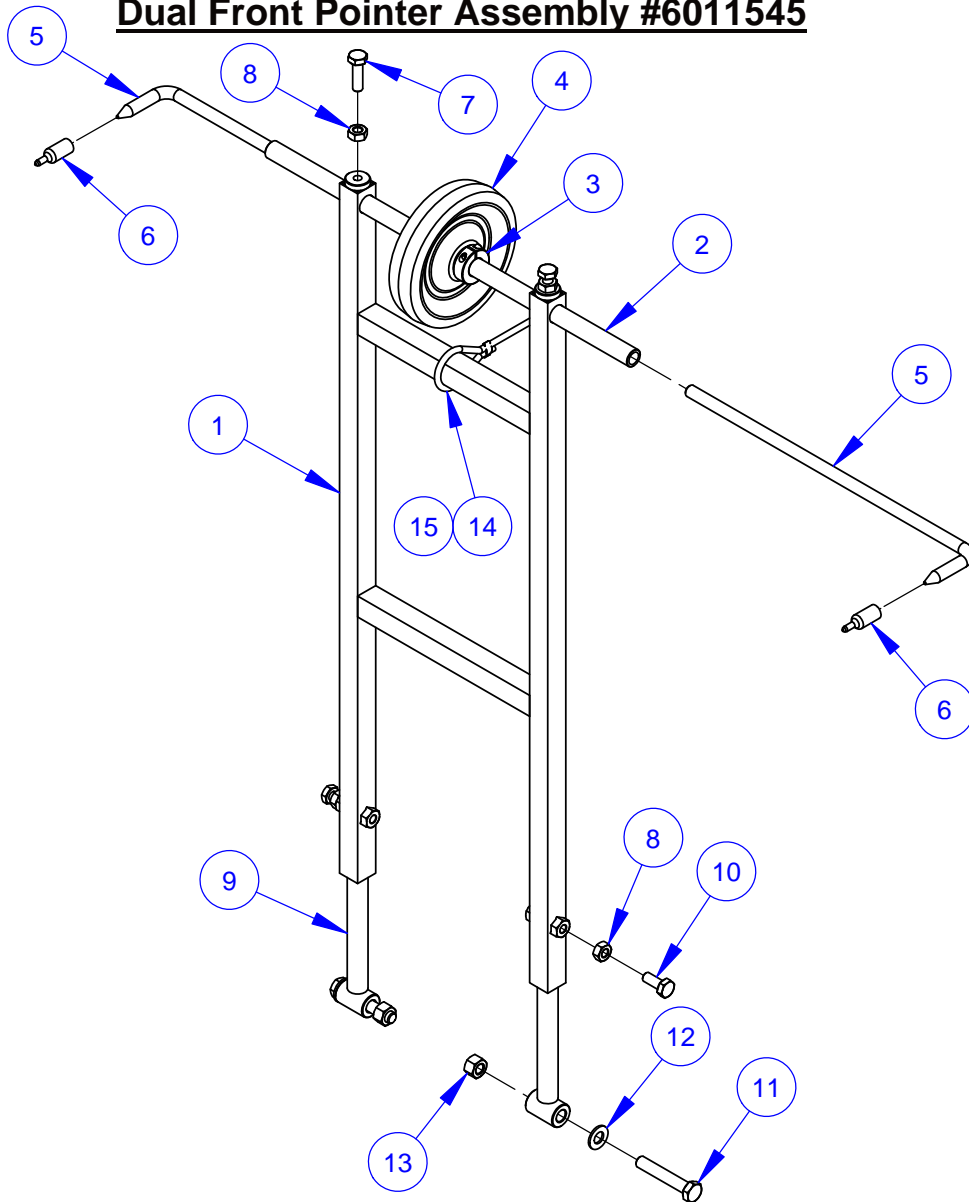
Belt Guard Assembly #6016085



Belt Guard Assembly #6016085

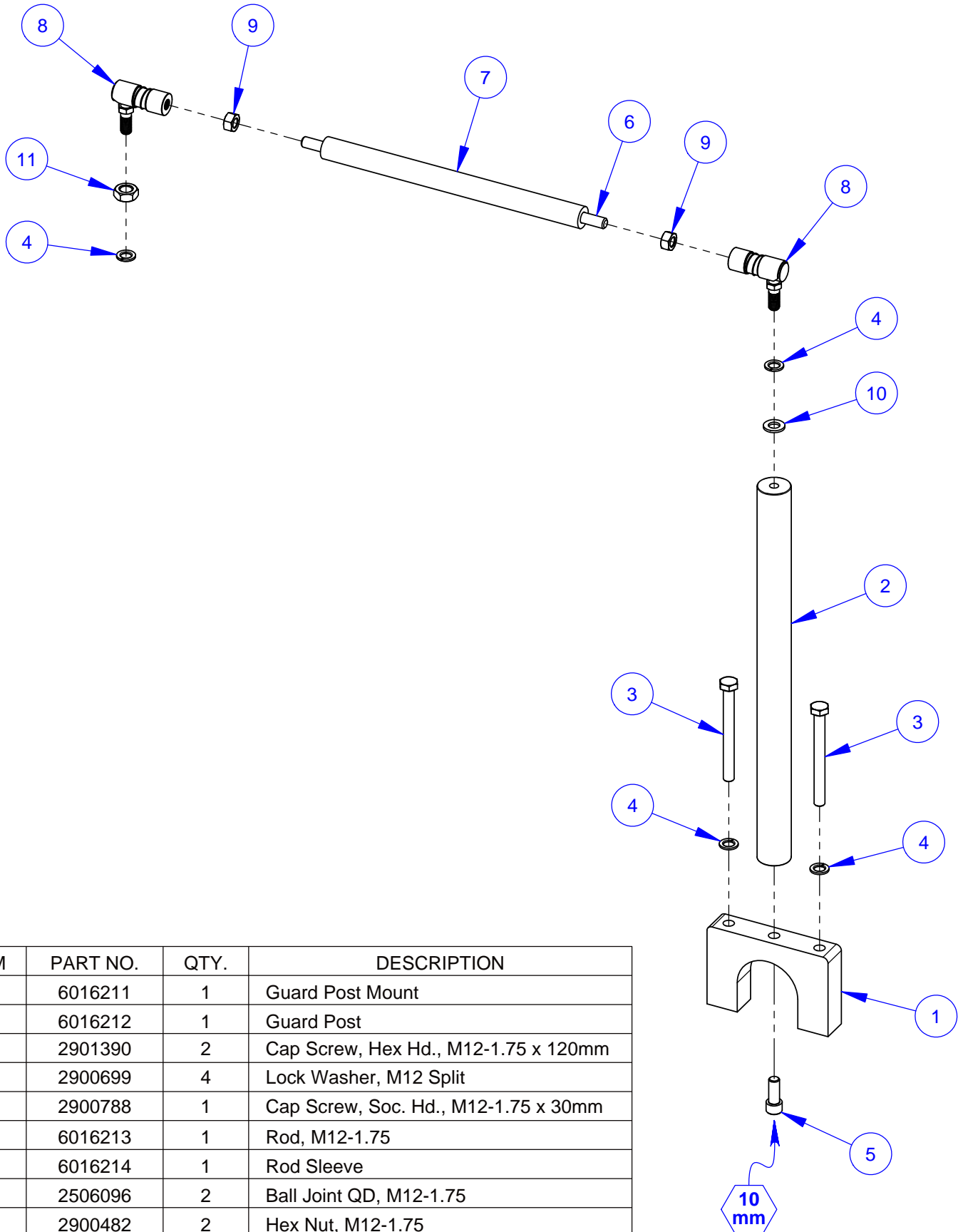
ITEM	PART NO.	QTY.	DESCRIPTION
1	6016204	1	Belt Guard (Front)
2	2500270	1	Blade Guard Hinge
3	2900341	3	Cap Screw, Hex Hd., M6-1.0 x 16mm
4	2900302	7	Lock Nut, M6-1.0 Nylon Insert
5	2901370	3	Cap Screw, Hex Flange, M6-1.0 x 12mm
6	2500489	1	Plug, 1" Hole
7	2503699	1	Bumper, 1" Dia. x 5/8" Thick
8	2902122	1	Machine Screw, Pan Hd., M5-0.8 x 16mm
9	2900016	1	Flat Washer, #10 USS
10	2900301	5	Lock Nut, M5-0.8 Nylon Insert
11	2400145	2	Handle
12	2900553	4	Cap Screw, Soc. Hd., M6-1.0 x 16mm
13	2502727	1	Draw Latch
14	2900794	4	Machine Screw, Pan Hd., M5-0.8 x 12mm
15	6016205	1	Belt Guard (Rear)
16	6010768	1	Swing Cover Plate with Label
17	2900246	1	Shoulder Screw, 5/16" x 1/4" (1/4-20)
18	2900252	1	Belleville Washer, 5/16"
19	2900010	1	Lock Nut, 1/4-20 Nylon
20	6016159	1	Belt Guard Strap
21	2506104	1	Grommet, 1-1/2" I.D.
22	2900333	5	Cap Screw, Hex Hd., M10-1.5 x 25mm
23	2900321	5	Lock Washer, M10 Split
24	2900473	5	Flat Washer, 3/8" USS
25	6016119	2	Guard Mounting Tab, M10-1.5
26	2900868	4	Cap Screw, Hex Hd., M8-1.25 x 16mm
27	2900763	4	Lock Washer, M8 Split
28	6011031	1	Edge Trim 7-1/2"

Dual Front Pointer Assembly #6011545



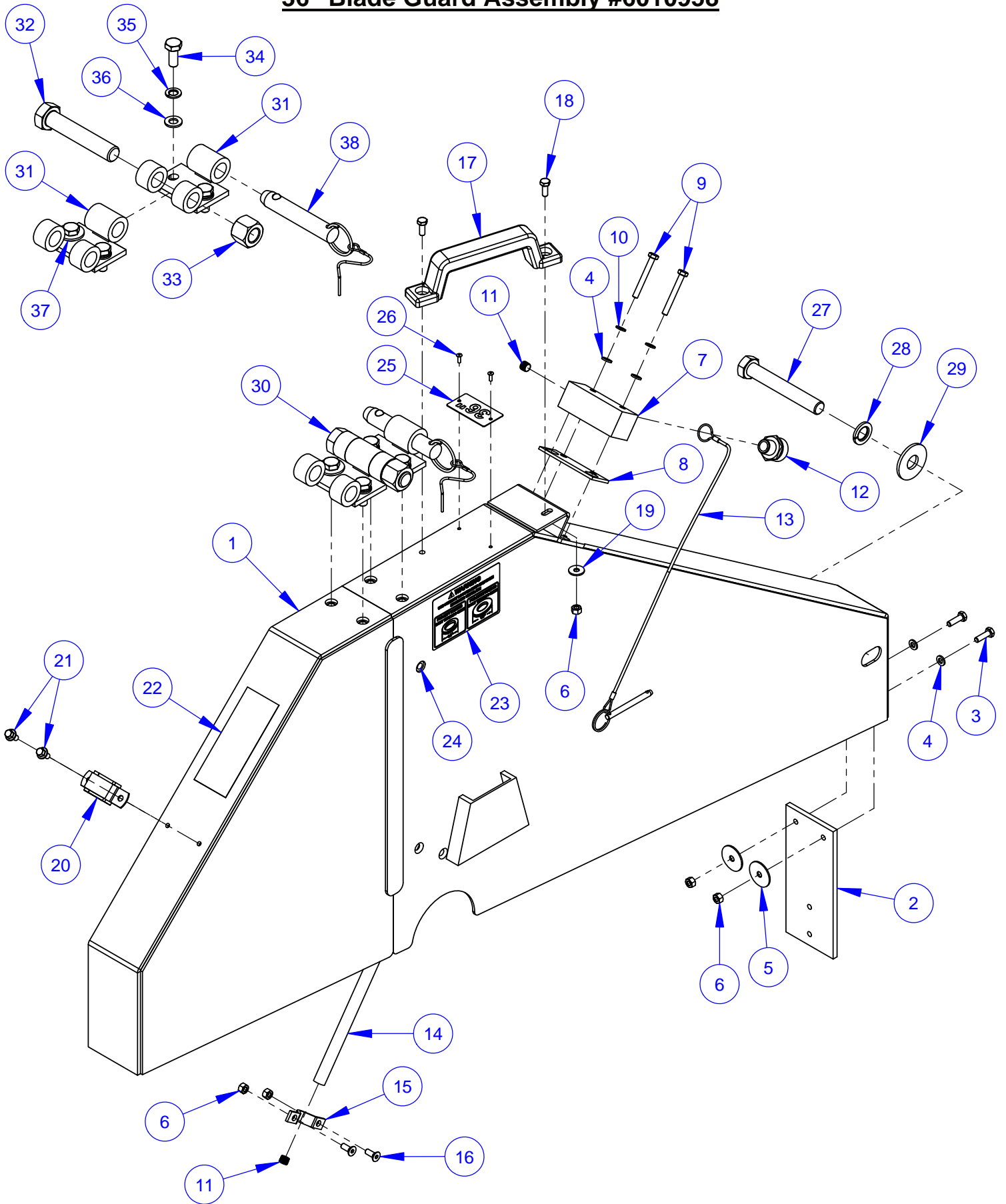
ITEM	PART NO.	QTY.	DESCRIPTION
1	6011538	1	Front Pointer Frame, Dual, Metric
2	6011539	1	Pointer Tube, 20"
3	2504577	2	Shaft Collar, 3/4" Split
4	2504581	1	Wheel, 6"
5	6011536	2	Front Pointer Rod, 16"
6	2500740	2	Pointer Cap
7	2900315	2	Cap Screw, Hex Hd., M10-1.5 x 35mm
8	2900325	4	Hex Nut, M10-1.5
9	6011152	2	Front Pointer Arm
10	2900333	2	Cap Screw, Hex Hd., M10-1.5 x 25mm
11	2901345	2	Cap Screw, Hex Hd., M12-1.75 x 70mm
12	2900239	2	Friction Washer, 1/2"
13	2900327	2	Lock Nut, M12-1.75 Nylon Insert
14	6011659	1	Pointer Rope 13 Foot
15	3200221	2	Pinch Clamp, Two Ear

Guard Post Assembly #6016086



ITEM	PART NO.	QTY.	DESCRIPTION
1	6016211	1	Guard Post Mount
2	6016212	1	Guard Post
3	2901390	2	Cap Screw, Hex Hd., M12-1.75 x 120mm
4	2900699	4	Lock Washer, M12 Split
5	2900788	1	Cap Screw, Soc. Hd., M12-1.75 x 30mm
6	6016213	1	Rod, M12-1.75
7	6016214	1	Rod Sleeve
8	2506096	2	Ball Joint QD, M12-1.75
9	2900482	2	Hex Nut, M12-1.75
10	2901357	1	Flat Washer, M12
11	2900256	1	Jam Nut, 5/8-11

36" Blade Guard Assembly #6010958

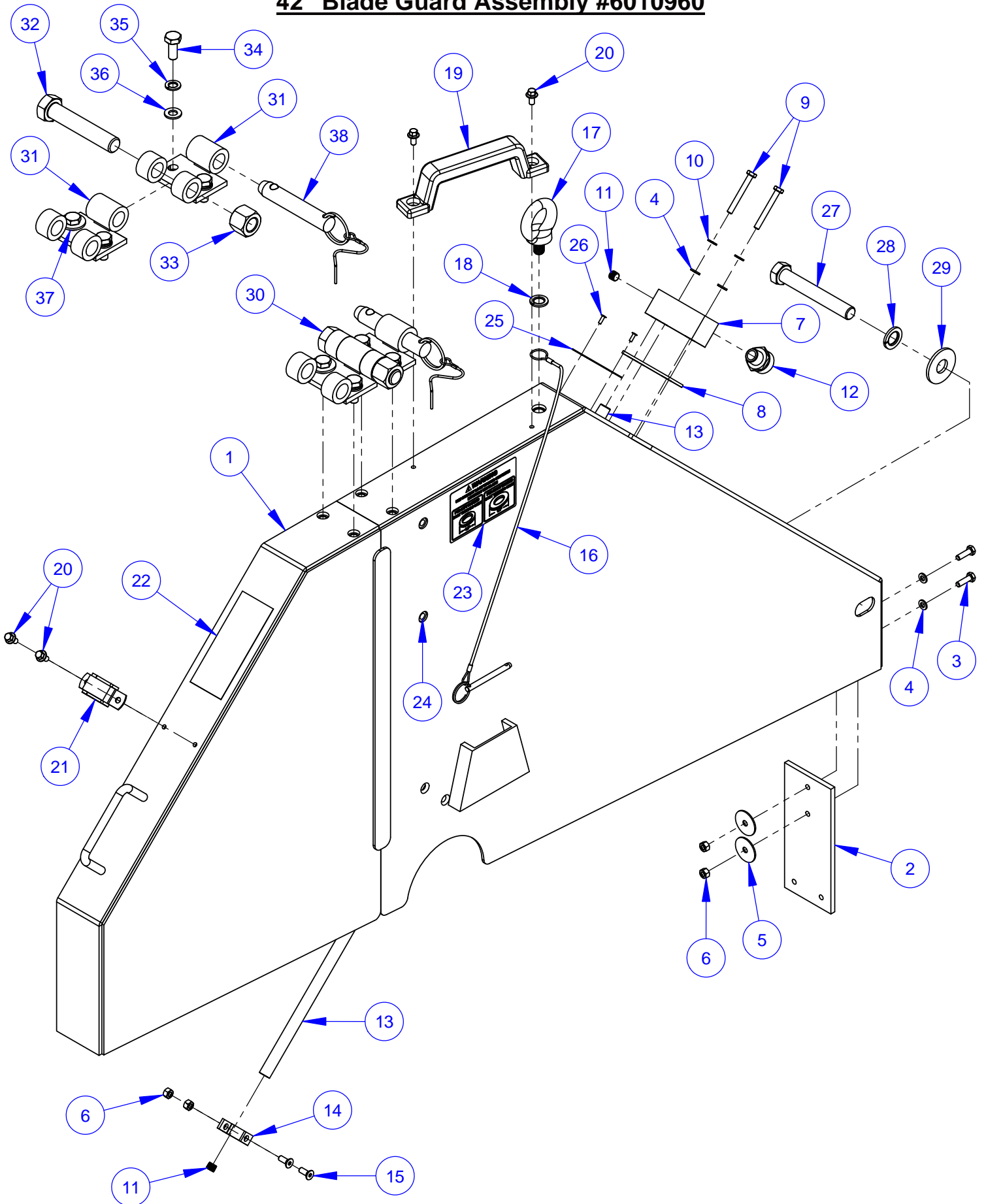


36" Blade Guard Assembly #6010958

ITEM	PART NO.	QTY.	DESCRIPTION
1	6010959	1	36" Blade Guard Front & Rear Only
2	6010081	1	Splash Flap
3	2900310	2	Cap Screw, Hex Hd., M6-1.0 x 20mm
4	2901494	4	Flat Washer, M6
5	2900083	2	Fender Washer, 1/4" x 1-1/4"
6	2900302	8	Lock Nut, M6-1.0 Nylon Insert
7	6010261	1	Water Manifold
8	2500830	1	Water Manifold Gasket
9	2901355	2	Cap Screw, Hex Hd., M6-1.0 x 50mm
10	2900765	2	Lock Washer, M6 Split
11	3200001	3	Plug, 1/8" NPT
12	3200002	1	Fitting, 3/8" M. Pipe to 3/4" M. Garden
13	2900280	1	Lanyard with Lock Pin
14	6010088	2	Water Tube for 36" Guard
15	6048155	2	Water Tube Clamp
16	2900308	4	Cap Screw, Flat Hd., M6-1.0 x 16mm
17	2506125	1	Grab Handle
18	2900341	2	Cap Screw, Hex Hd., M6-1.0 x 16mm
19	2901359	1	Fender Washer, M6
20	3202935	1	Cushion Clamp
21	2901370	2	Cap Screw, Hex Flange, M6-1.0 x 12mm
22	1800001	1	Warning Label
23	1802090	2	Label, Wedge Locking Washer
24	2503749	2	Plug, 5/16" Hole (Tapered)
25	1801369H	1	Blade Guard Size Tag
26	2900639	2	Rivet, 1/8" Dia.
27	2901349	1	Cap Screw, Hex Hd., M16-2.0 x 110mm
28	2900716	1	Lock Washer, M16 Split
29	2900128	1	Flat Washer, 5/8" USS
30	6010873	1	Universal Hinge Assembly

ITEM	PART NO.	QTY	DESCRIPTION
31	6010871	2	Hinge Weldment, Universal
32	2900479	1	Cap Screw, Hex Hd., 3/4-10 x 4"
33	2900467	1	Lock Nut, 3/4-10 Nylon
34	2900333	4	Cap Screw, Hex Hd., M10-1.5 x 25mm
35	2900321	4	Lock Washer, M10 Split
36	2901356	4	Flat Washer, M10
37	2901360	1	Fender Washer, M10
38	2503824	1	Detent Pin with Lanyard

42" Blade Guard Assembly #6010960

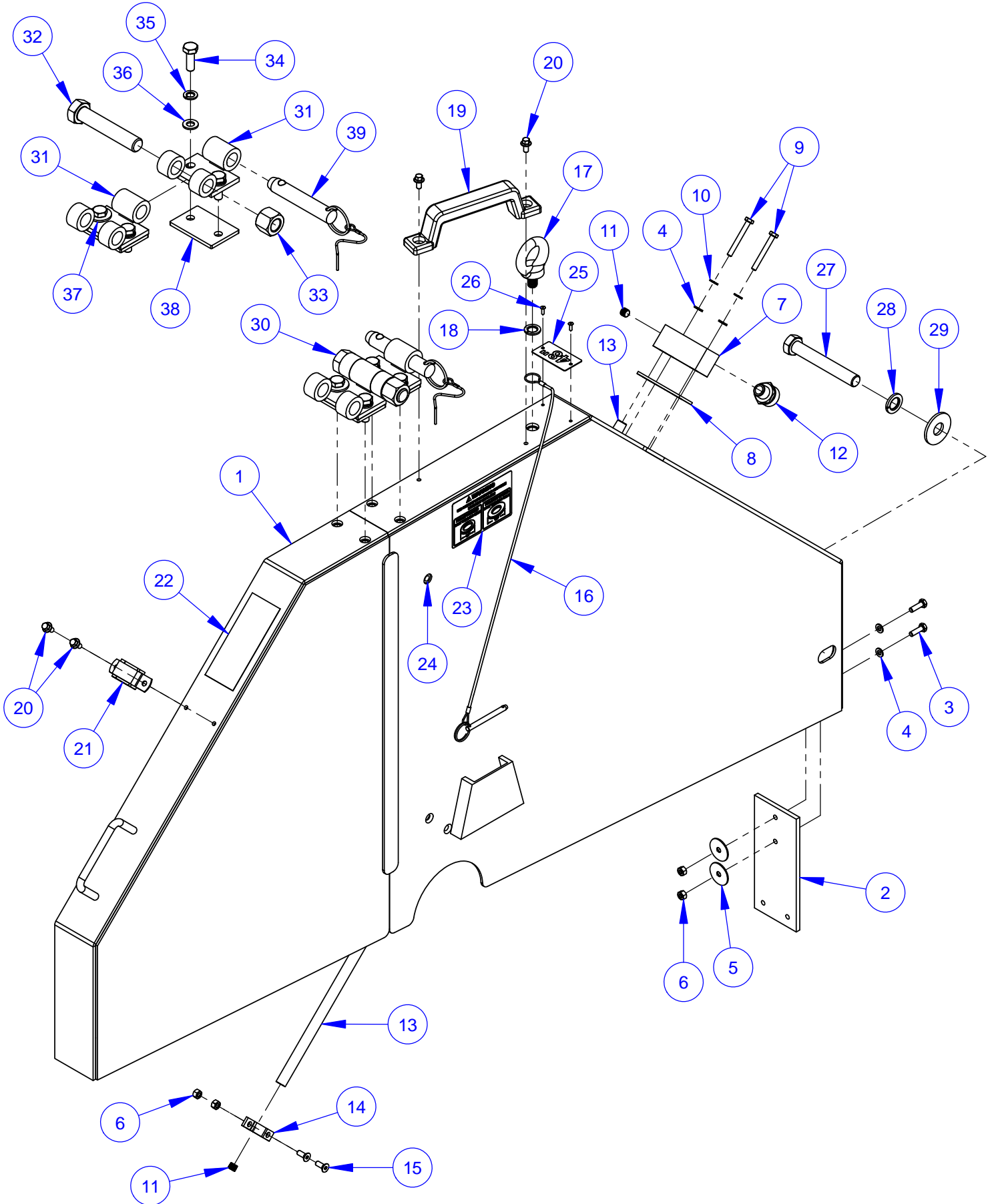


42" Blade Guard Assembly #6010960

ITEM	PART NO.	QTY	DESCRIPTION
1	6010961	1	42" Blade Guard Front & Rear Only
2	6010081	1	Splash Flap
3	2900310	2	Cap Screw, Hex Hd., M6-1.0 x 20mm
4	2901494	4	Flat Washer, M6
5	2900083	2	Fender Washer, 1/4" x 1-1/4"
6	2900302	6	Lock Nut, M6-1.0 Nylon Insert
7	6048123	1	Water Manifold
8	2500829	1	Water Manifold Gasket
9	2901355	2	Cap Screw, Hex Hd., M6-1.0 x 50mm
10	2900765	2	Lock Washer, M6 Split
11	3200001	3	Plug, 1/8" NPT
12	3200002	1	Fitting, 3/8" M. Pipe to 3/4" M. Garden
13	6010114	2	Water Tube for 42" Guard
14	6048155	2	Water Tube Clamp
15	2900308	4	Cap Screw, Flat Hd., M6-1.0 x 16mm
16	2900280	1	Lanyard with Lock Pin
17	2902138	1	Eye Bolt, M12-1.75
18	2900699	1	Lock Washer, M12 Split
19	2506125	1	Grab Handle
20	2901370	4	Cap Screw, Hex Flange, M6-1.0 x 12mm
21	3202935	1	Cushion Clamp
22	1800001	1	Warning Label
23	1802090	2	Label, Wedge Locking Washer
24	2503749	4	Plug, 5/16" Hole (Tapered)
25	1801369I	1	Blade Guard Size Tag
26	2900639	2	Rivet, 1/8" Dia.
27	2901349	1	Cap Screw, Hex Hd., M16-2.0 x 110mm
28	2900716	1	Lock Washer, M16 Split
29	2900128	1	Flat Washer, 5/8" USS
30	6010873	1	Universal Hinge Assembly

ITEM	PART NO.	QTY	DESCRIPTION
31	6010871	2	Hinge Weldment, Universal
32	2900479	1	Cap Screw, Hex Hd., 3/4-10 x 4"
33	2900467	1	Lock Nut, 3/4-10 Nylon
34	2900333	4	Cap Screw, Hex Hd., M10-1.5 x 25mm
35	2900321	4	Lock Washer, M10 Split
36	2901356	4	Flat Washer, M10
37	2901360	1	Fender Washer, M10
38	2503824	1	Detent Pin with Lanyard

48" Blade Guard Assembly #6010962

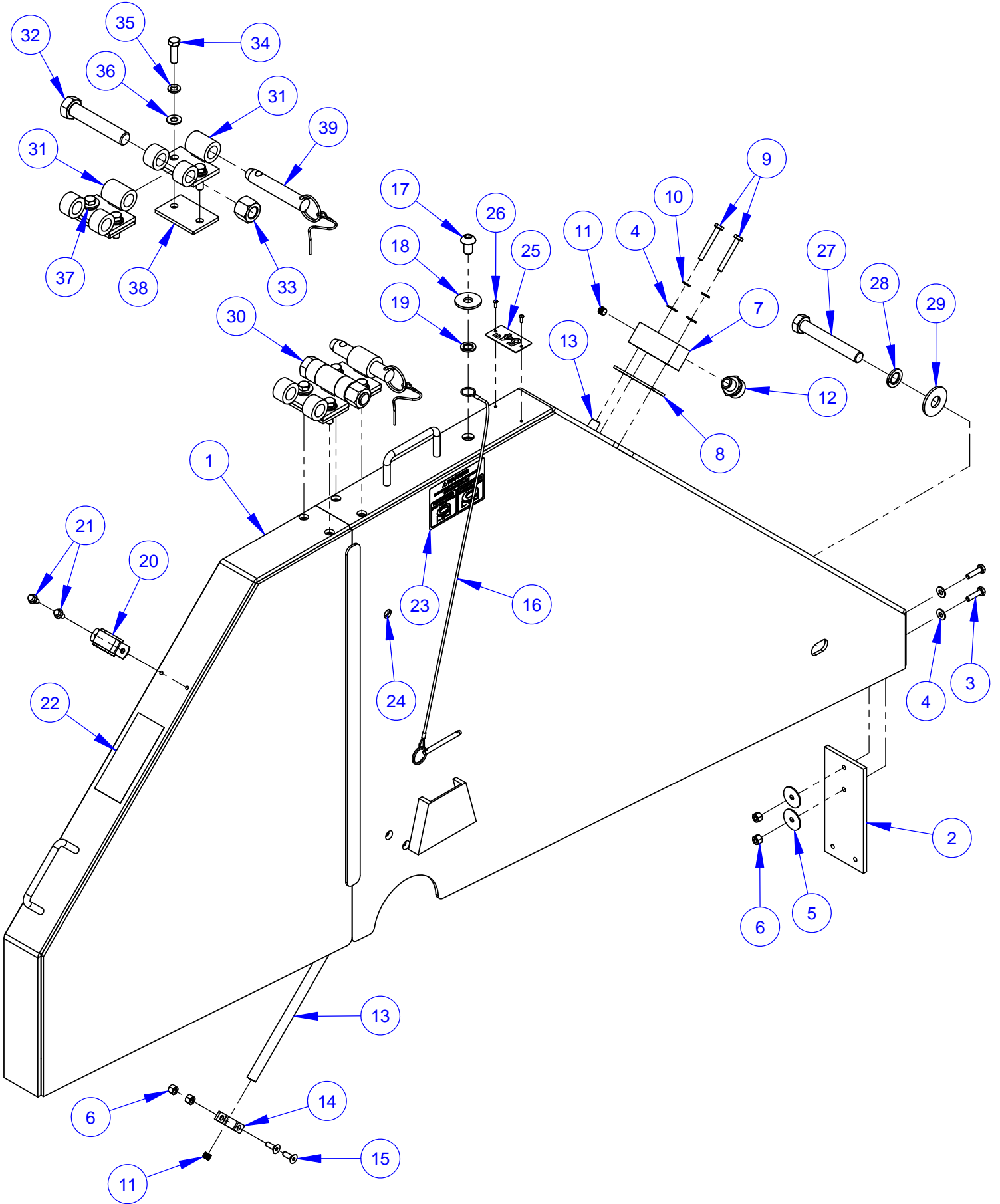


48" Blade Guard Assembly #6010962

ITEM	PART NO.	QTY	DESCRIPTION
1	6010963	1	48" Blade Guard Front & Rear Only
2	6010081	1	Splash Flap
3	2900310	2	Cap Screw, Hex Hd., M6-1.0 x 20mm
4	2901494	4	Flat Washer, M6
5	2900083	2	Fender Washer, 1/4" x 1-1/4"
6	2900302	6	Lock Nut, M6-1.0 Nylon Insert
7	6048123	1	Water Manifold
8	2500829	1	Water Manifold Gasket
9	2901355	2	Cap Screw, Hex Hd., M6-1.0 x 50mm
10	2900765	2	Lock Washer, M6 Split
11	3200001	3	Plug, 1/8" NPT
12	3200002	1	Fitting, 3/8" M. Pipe to 3/4" M. Garden
13	6010115	2	Water Tube for 48" Guard
14	6048155	2	Water Tube Clamp
15	2900308	4	Cap Screw, Flat Hd., M6-1.0 x 16mm
16	2900281	1	Lanyard with Lock Pin
17	2902138	1	Eye Bolt, M12-1.75
18	2900699	1	Lock Washer, M12 Split
19	2506125	1	Grab Handle
20	2901370	4	Cap Screw, Hex Flange, M6-1.0 x 12mm
21	3202935	1	Cushion Clamp
22	1800001	1	Warning Label
23	1802090	2	Label, Wedge Locking Washer
24	2503749	2	Plug, 5/16" Hole (Tapered)
25	1801369J	1	Blade Guard Size Tag
26	2900639	2	Rivet, 1/8" Dia.
27	2901349	1	Cap Screw, Hex Hd., M16-2.0 x 110mm
28	2900716	1	Lock Washer, M16 Split
29	2900128	1	Flat Washer, 5/8" USS
30	6016089	1	Hinge Assembly, 48" Guard

ITEM	PART NO.	QTY	DESCRIPTION
31	6010871	2	Hinge Weldment, Universal
32	2900479	1	Cap Screw, Hex Hd., 3/4-10 x 4"
33	2900467	1	Lock Nut, 3/4-10 Nylon
34	2900223	4	Cap Screw, Hex Hd., M10-1.5 x 30mm
35	2900321	4	Lock Washer, M10 Split
36	2901356	4	Flat Washer, M10
37	2901360	1	Fender Washer, M10
38	6016019	2	Hinge Spacer
39	2503824	1	Detent Pin with Lanyard

54" Blade Guard Assembly #6010614

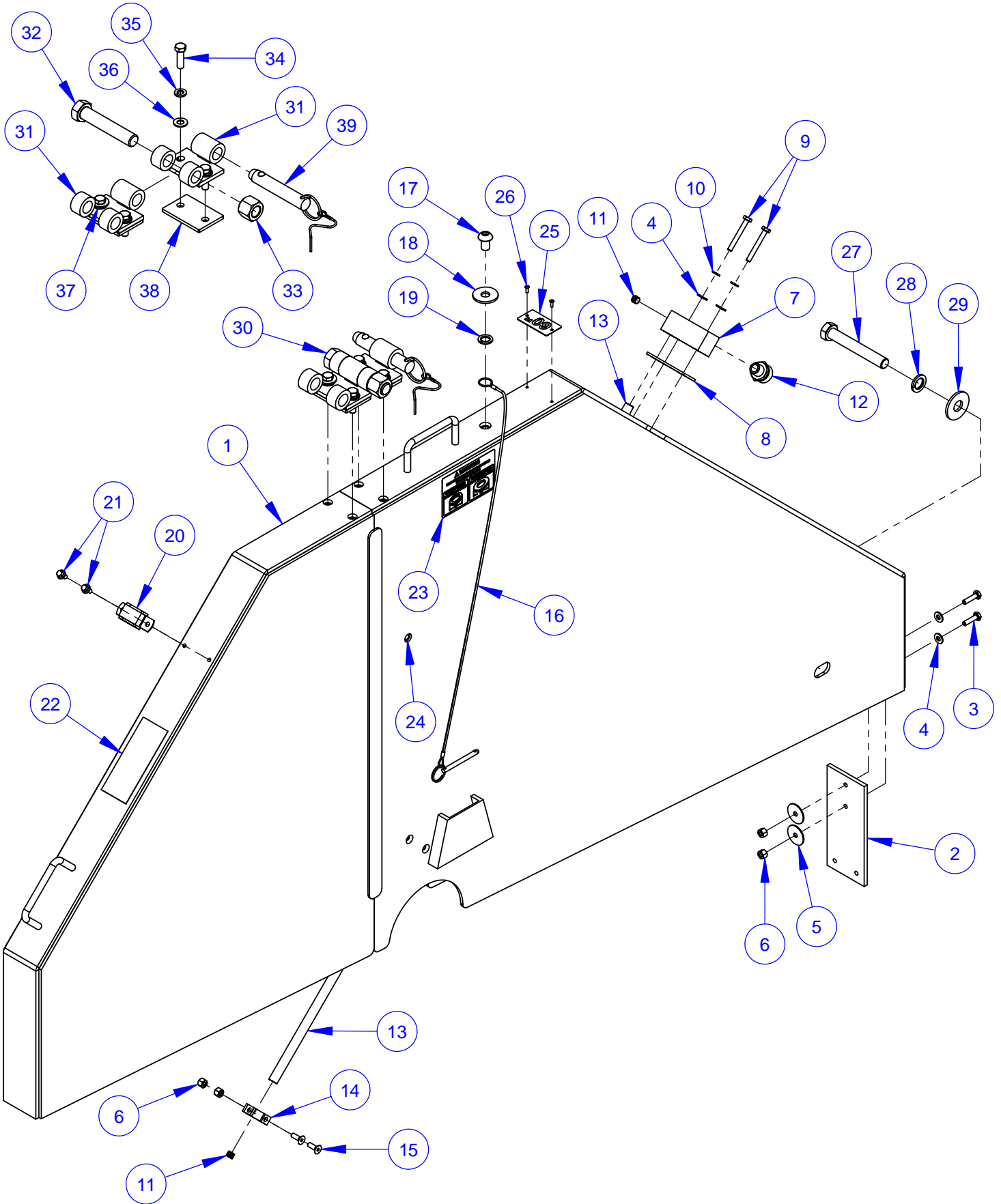


54" Blade Guard Assembly #6010614

ITEM	PART NO.	QTY	DESCRIPTION
1	6010615	1	54" Blade Guard Front & Rear Only
2	6010081	1	Splash Flap
3	2900008	2	Cap Screw, Hex Hd., 1/4-20 x 1"
4	2900009	4	Flat Washer, 1/4" SAE
5	2900083	2	Fender Washer, 1/4" x 1-1/4"
6	2900010	6	Lock Nut, 1/4-20 Nylon
7	6010273	1	Water Manifold
8	2500859	1	Water Manifold Gasket
9	2900294	2	Cap Screw, Hex Hd., 1/4-20 x 2"
10	2900024	2	Lock Washer, 1/4" Split
11	3200001	3	Plug, 1/8" NPT
12	3200002	1	Fitting, 3/8" M. Pipe to 3/4" M. Garden
13	6013023	2	Water Tube for 54" Guard
14	6048155	2	Water Tube Clamp
15	2900020	4	Cap Screw, Flat Hd., 1/4-20 x 3/4"
16	2900281	1	Lanyard with Lock Pin
17	2902137	1	Cap Screw, Button Hd., M12-1.75 x 20mm
18	2901339	1	Fender Washer, M12
19	2900699	1	Lock Washer, M12 Split
20	3202935	1	Cushion Clamp
21	2901370	2	Cap Screw, Hex Flange, M6-1.0 x 12mm
22	1800001	1	Warning Label
23	1802090	2	Label, Wedge Locking Washer
24	2503749	2	Plug, 5/16" Hole (Tapered)
25	1801369K	1	Blade Guard Size Tag
26	2900639	2	Rivet, 1/8" Dia.
27	2901349	1	Cap Screw, Hex Hd., M16-2.0 x 110mm
28	2900716	1	Lock Washer, M16 Split
29	2900128	1	Flat Washer, 5/8" USS
30	6016090	1	Hinge Assembly, 54"/60" Guard

ITEM	PART NO.	QTY	DESCRIPTION
31	6010871	2	Hinge Weldment, Universal
32	2900479	1	Cap Screw, Hex Hd., 3/4-10 x 4"
33	2900467	1	Lock Nut, 3/4-10 Nylon
34	2900013	4	Cap Screw, Hex Hd., 3/8-16 x 1-1/4"
35	2900006	4	Lock Washer, 3/8" Split
36	2900014	4	Flat Washer, 3/8" SAE
37	2900473	1	Flat Washer, 3/8" USS
38	6016019	2	Hinge Spacer
39	2503824	1	Detent Pin with Lanyard

60" Blade Guard Assembly #6010616

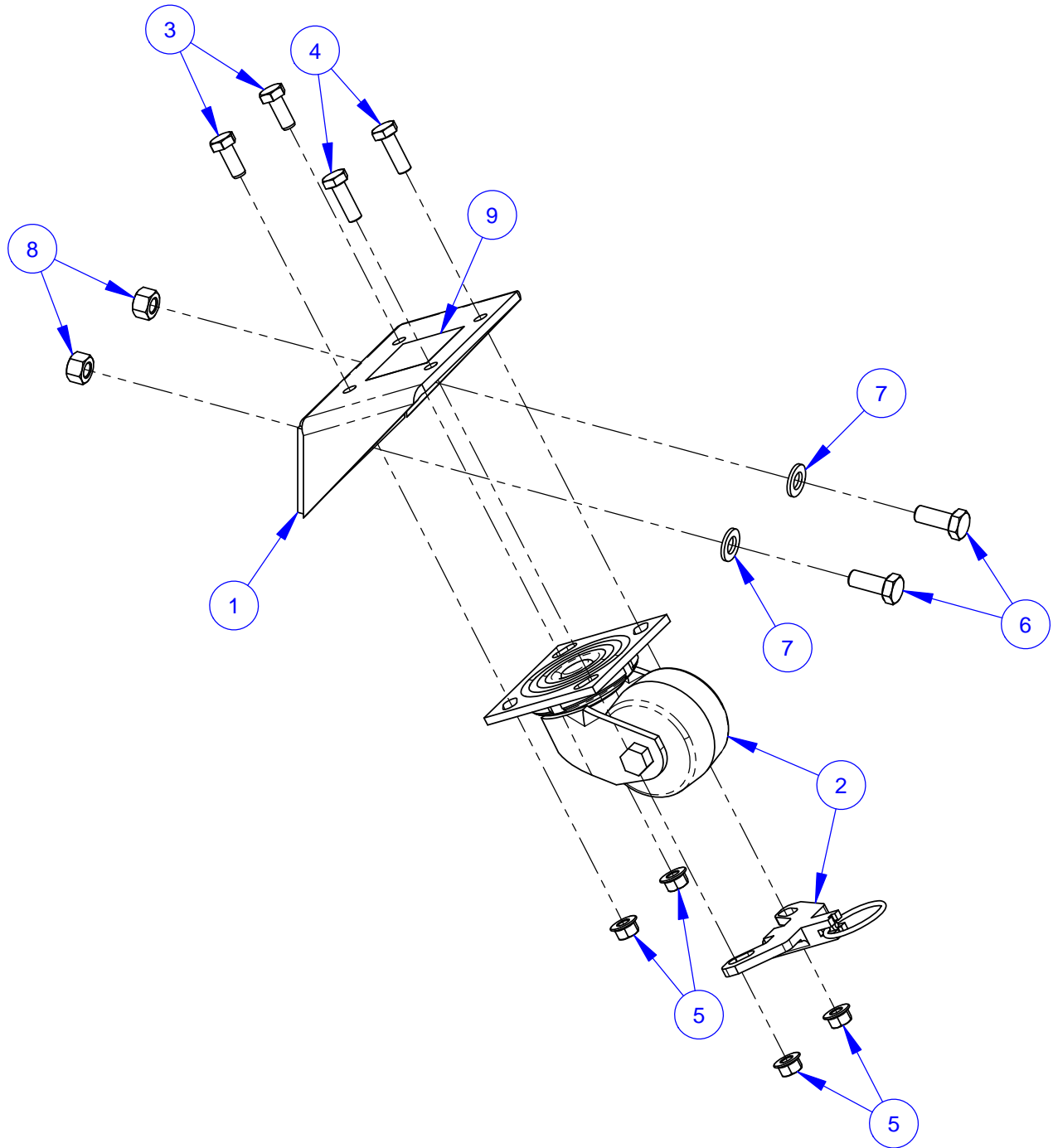


60" Blade Guard Assembly #6010616

ITEM	PART NO.	QTY	DESCRIPTION
1	6010617	1	60" Blade Guard Front & Rear Only
2	6010081	1	Splash Flap
3	2900008	2	Cap Screw, Hex Hd., 1/4-20 x 1"
4	2900009	4	Flat Washer, 1/4" SAE
5	2900083	2	Fender Washer, 1/4" x 1-1/4"
6	2900010	6	Lock Nut, 1/4-20 Nylon
7	6010273	1	Water Manifold
8	2500859	1	Water Manifold Gasket
9	2900294	2	Cap Screw, Hex Hd., 1/4-20 x 2"
10	2900024	2	Lock Washer, 1/4" Split
11	3200001	3	Plug, 1/8" NPT
12	3200002	1	Fitting, 3/8" M. Pipe to 3/4" M. Garden
13	6013092	2	Water Tube for 60" Guard
14	6048155	2	Water Tube Clamp
15	2900020	4	Cap Screw, Flat Hd., 1/4-20 x 3/4"
16	2900281	1	Lanyard with Lock Pin
17	2902137	1	Cap Screw, Button Hd., M12-1.75 x 20mm
18	2901339	1	Fender Washer, M12
19	2900699	1	Lock Washer, M12 Split
20	3202935	1	Cushion Clamp
21	2901370	2	Cap Screw, Hex Flange, M6-1.0 x 12mm
22	1800001	1	Warning Label
23	1802090	2	Label, Wedge Locking Washer
24	2503749	2	Plug, 5/16" Hole (Tapered)
25	1801369L	1	Blade Guard Size Tag
26	2900639	2	Rivet, 1/8" Dia.
27	2901349	1	Cap Screw, Hex Hd., M16-2.0 x 110mm
28	2900716	1	Lock Washer, M16 Split
29	2900128	1	Flat Washer, 5/8" USS
30	6016090	1	Hinge Assembly, 54"/60" Guard

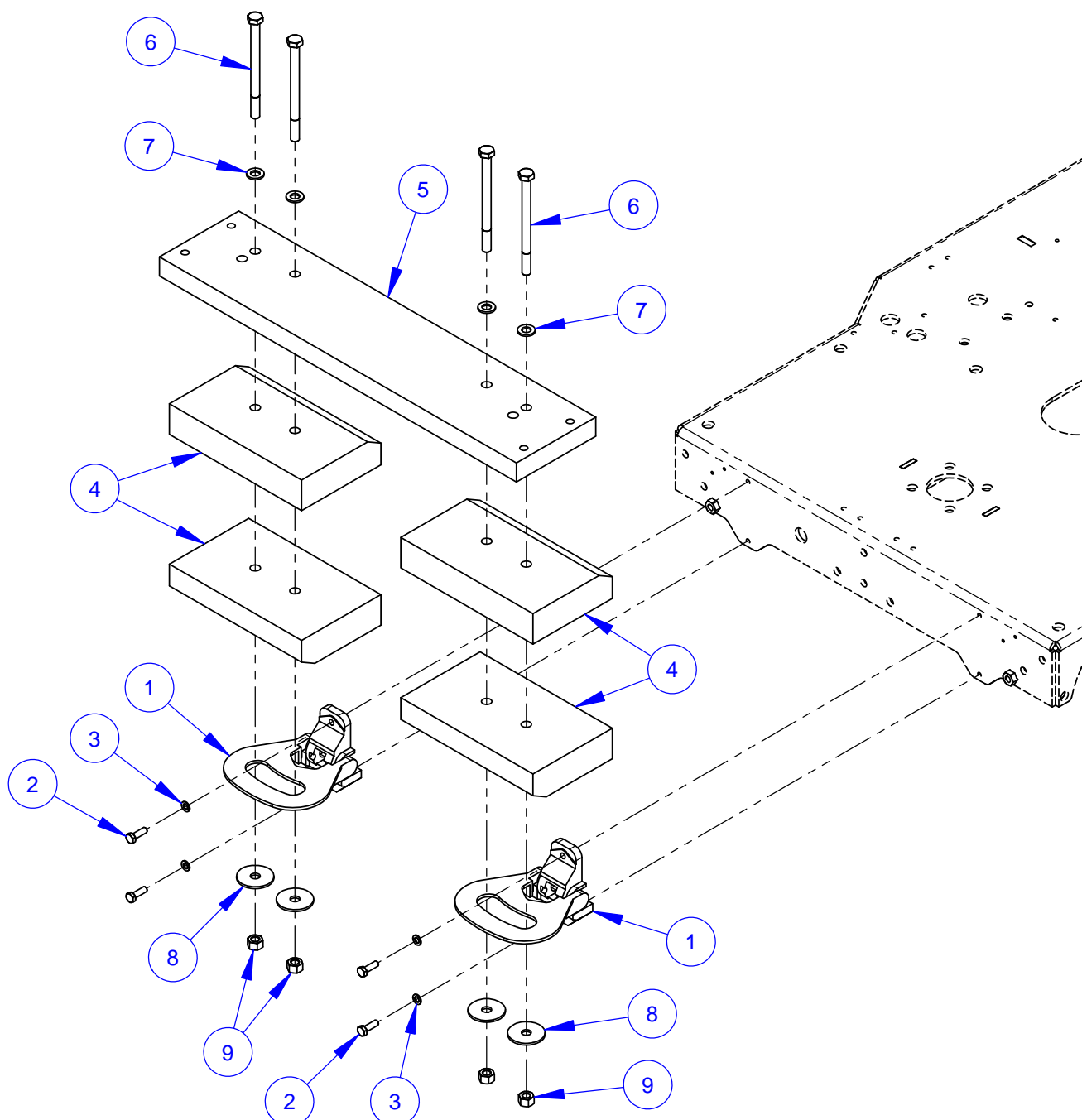
ITEM	PART NO.	QTY.	DESCRIPTION
31	6010871	2	Hinge Weldment, Universal
32	2900479	1	Cap Screw, Hex Hd., 3/4-10 x 4"
33	2900467	1	Lock Nut, 3/4-10 Nylon
34	2900013	4	Cap Screw, Hex Hd., 3/8-16 x 1-1/4"
35	2900006	4	Lock Washer, 3/8" Split
36	2900014	4	Flat Washer, 3/8" SAE
37	2900473	1	Flat Washer, 3/8" USS
38	6016019	2	Hinge Spacer
39	2503824	1	Detent Pin with Lanyard

Bogie Wheel Assembly #6016087



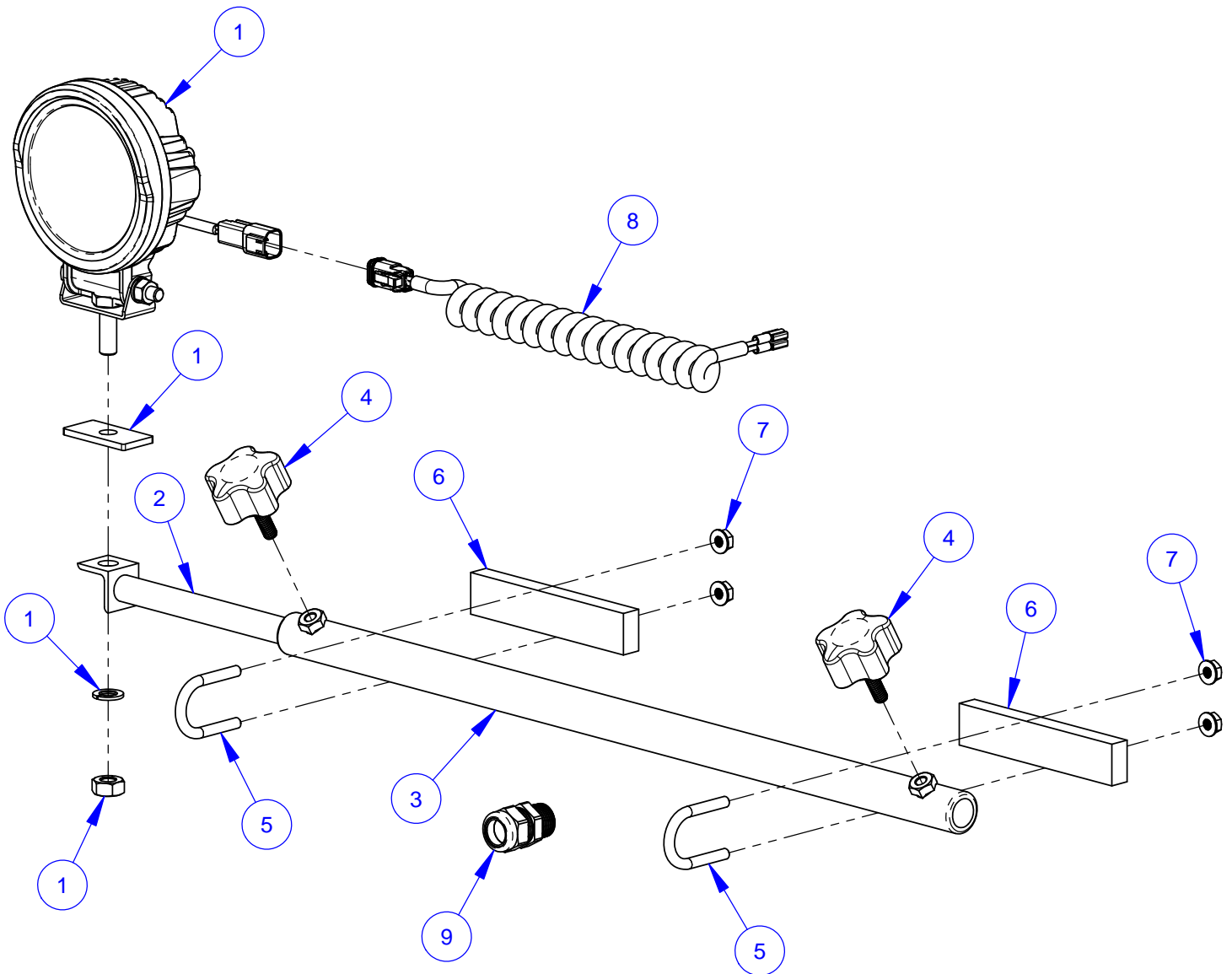
ITEM	PART NO.	QTY.	DESCRIPTION
1	6013099	1	Caster Mount Brace
2	2500654	1	Caster with Swivel Lock
3	2900749	2	Cap Screw, Hex Hd., M10-1.25 x 25mm
4	2900870	2	Cap Screw, Hex Hd., M10-1.25 x 30mm
5	2901398	4	Hex Flange Nut, M10-1.25
6	2900330	2	Cap Screw, Hex Hd., M12-1.75 x 30mm
7	2901357	2	Flat Washer, M12
8	2900327	2	Lock Nut, M12-1.75 Nylon Insert
9	1800389	1	Warning Label

Weight Kit #6016088 (For 54" & 60" Blades)



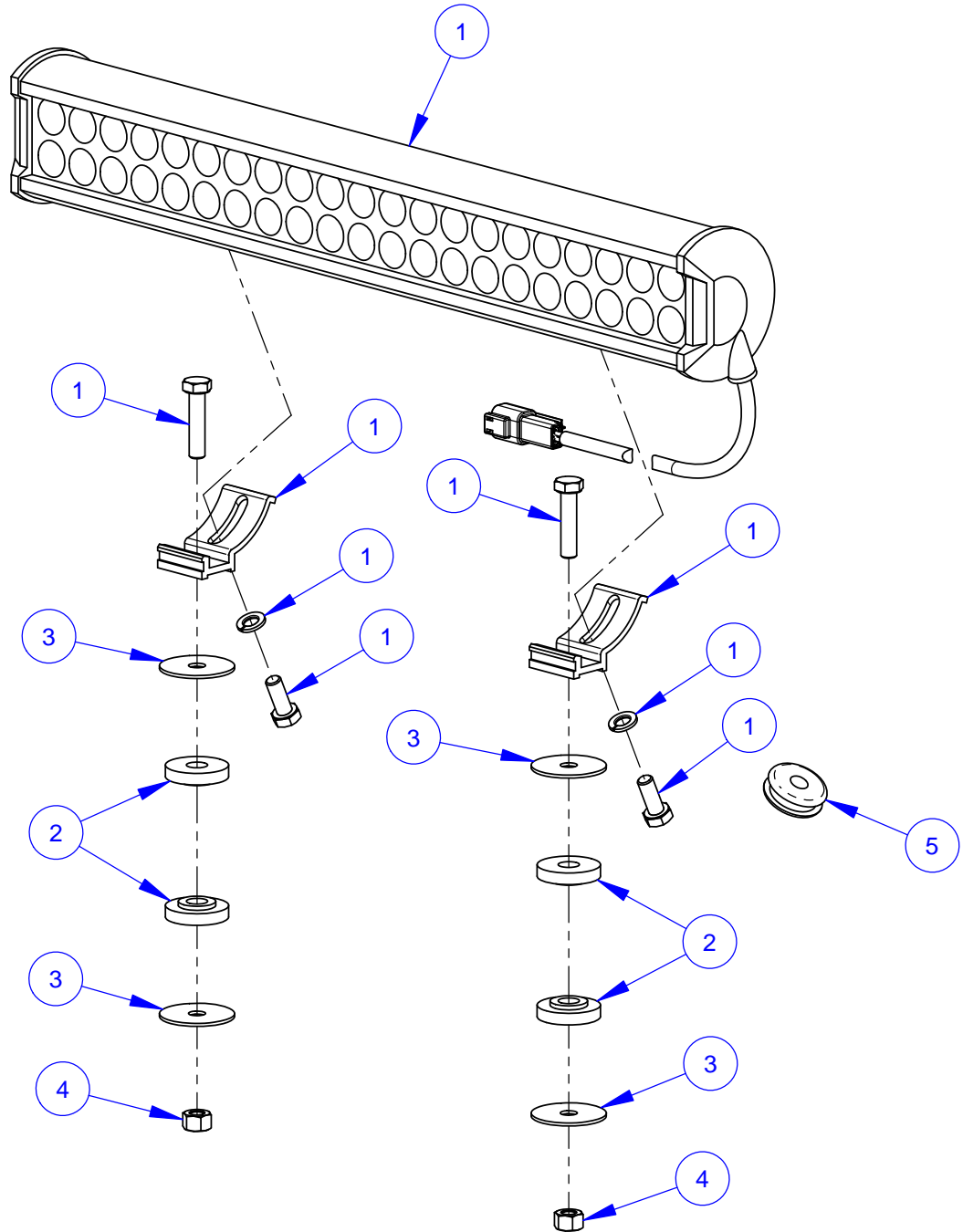
ITEM	PART NO.	QTY.	DESCRIPTION
1	2503798	2	Foot Rest, Folding
2	2900360	4	Cap Screw, Hex Hd., M8-1.25 x 25mm
3	2900763	4	Lock Washer, M8 Split
4	6016216	4	Saw Weight (33 Pound)
5	6013042	1	Saw Weight (56 Pound)
6	2902128	4	Cap Screw, Hex Hd., M12-1.75 x 160mm
7	2901357	4	Flat Washer, M12
8	2900854	4	Fender Washer, 1/2" x 2"
9	2900327	4	Lock Nut, M12-1.75 Nylon Insert

LED Spot Light Assembly #6016034



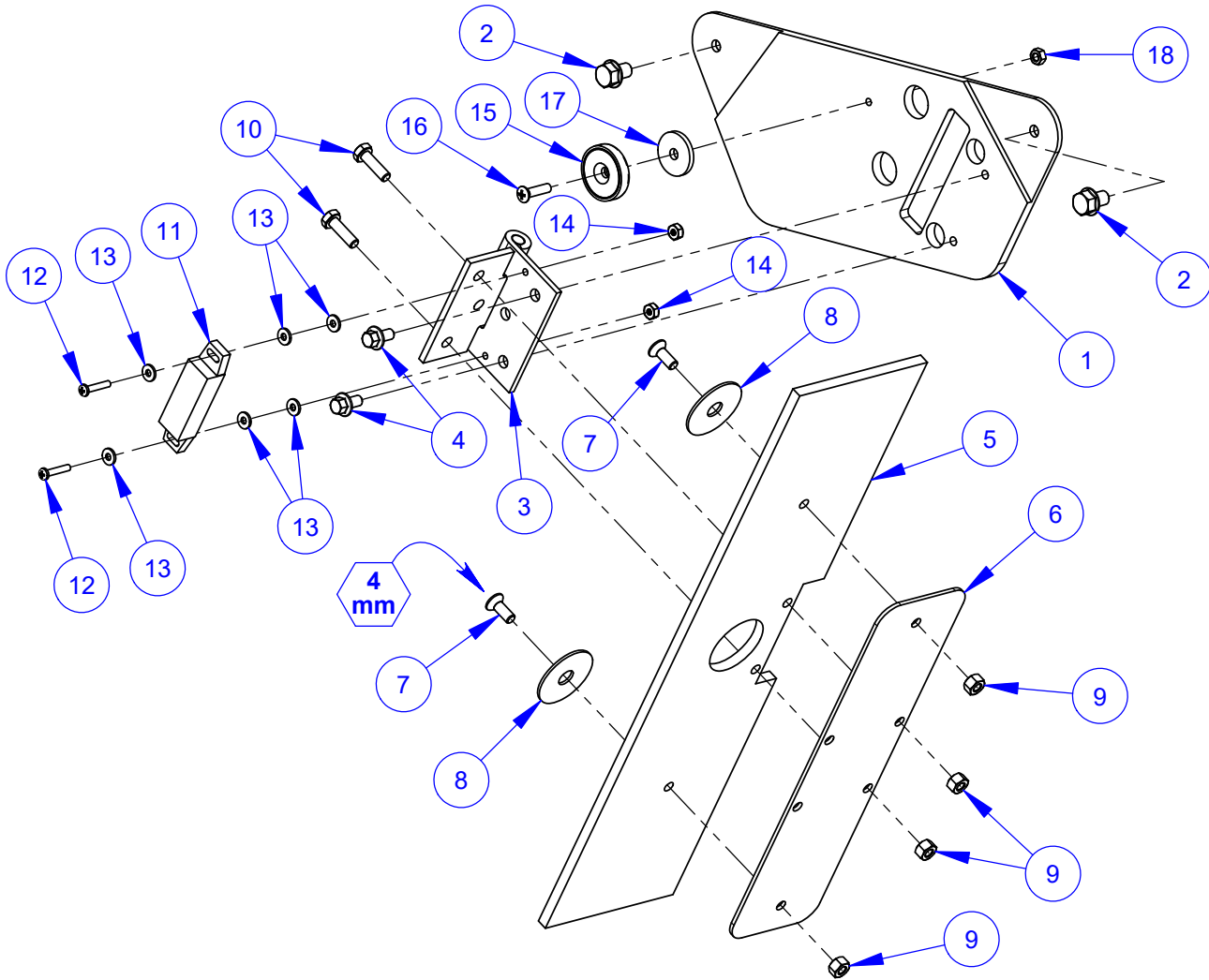
ITEM	PART NO.	QTY.	DESCRIPTION
1	6016224	1	Light, 12 Volt LED Spot
2	6010106	1	Light Bar
3	6017049	1	Light Mount Tube
4	2400157	2	Hand Lock Knob, 5/16-18 x 1"
5	2900241	2	U-Bolt, 1/2" Pipe
6	6016177	2	Light Tube Cushion
7	2902145	4	Hex Flange Nut, 1/4-20
8	6016225	1	Coiled Light Cord (1 Foot)
9	2800623	1	Cord Grip, 1/2" NPT Nylon

LED Light Bar Assembly #6016058



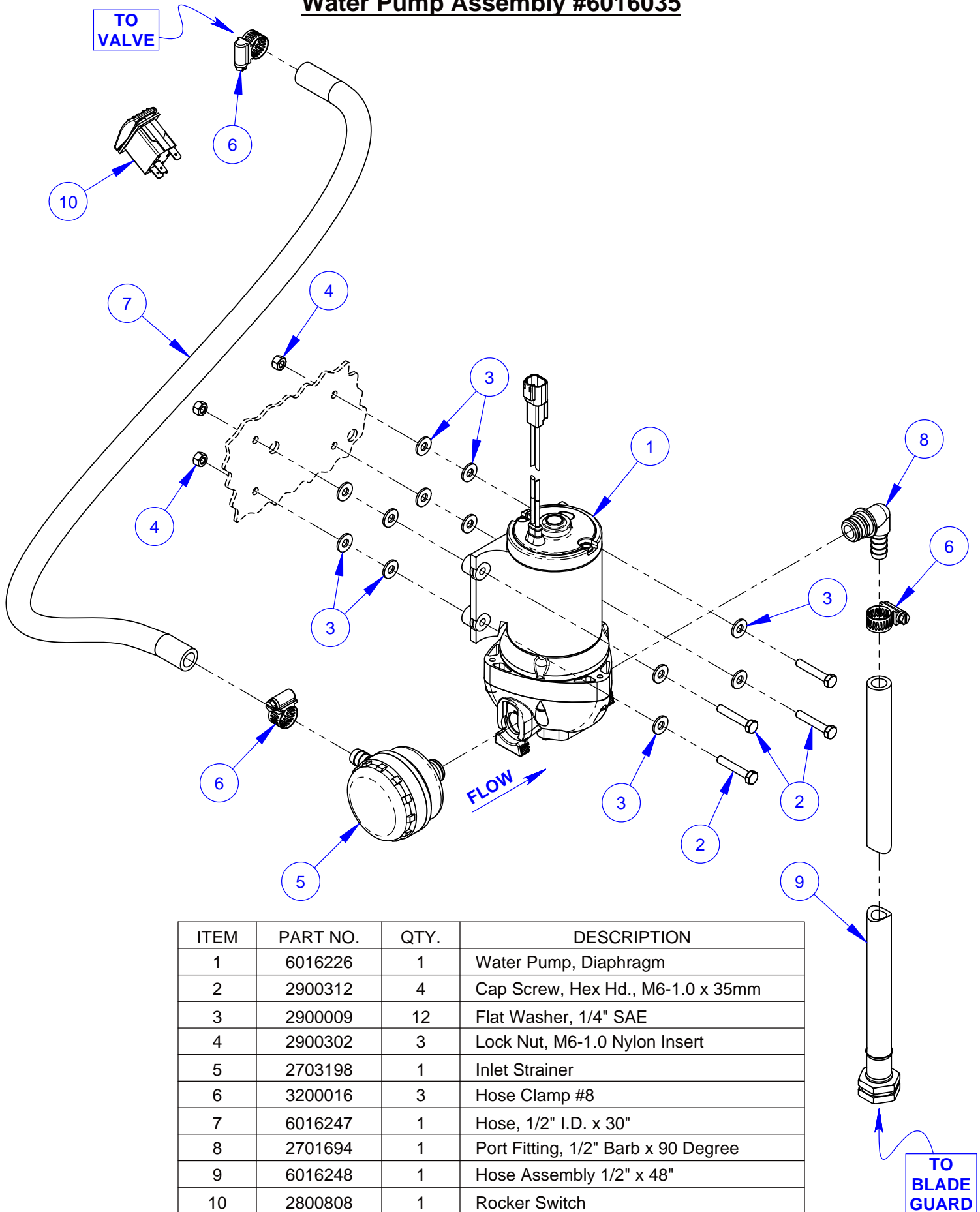
ITEM	PART NO.	QTY.	DESCRIPTION
1	6016229	1	LED Light Bar
	2506112B	2	Light Bar Bracket
	2900763	2	Lock Washer, M8 Split
	2900329	2	Cap Screw, Hex Hd., M8-1.25 x 20mm
	2900760	2	Cap Screw, Hex Hd., M8-1.25 x 35mm
2	2506117	4	Vibration Damping Bushing
3	2900969	4	Fender Washer, 5/16" x 1-1/2"
4	2900303	2	Lock Nut, M8-1.25 Nylon Insert
5	2506118	1	Grommet, 3/8" I.D.

Slurry Shield Assembly #6016072



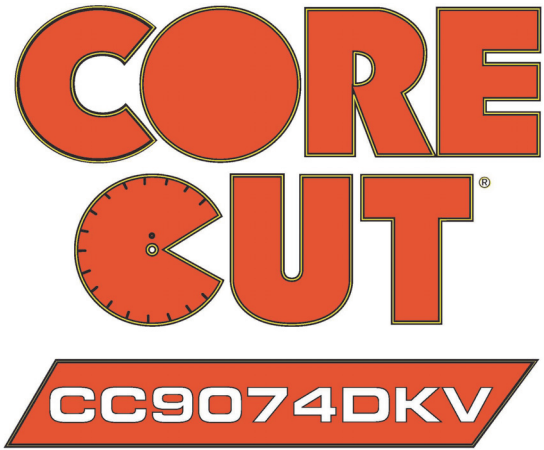
ITEM	PART NO.	QTY.	DESCRIPTION
1	6016264	1	Shield Support Plate
2	2902071	2	Cap Screw, Hex Flange, M8-1.25 x 12mm
3	6016265	1	Hinge, Slurry Shield
4	2901370	2	Cap Screw, Hex Flange, M6-1.0 x 12mm
5	6016267	1	Shield Flap
6	6016266	1	Slurry Shield
7	2900308	2	Cap Screw, Flat Hd., M6-1.0 x 16mm
8	2901271	2	Fender Washer, 3/8" x 1-1/2"
9	2900302	4	Lock Nut, M6-1.0 Nylon Insert
10	2900310	2	Cap Screw, Hex Hd., M6-1.0 x 20mm
11	2504561	1	Magnetic Catch
12	2901309	2	Machine Screw, Pan Hd., #6-32 x 3/4"
13	2901311	6	Flat Washer, #6 SAE
14	2901325	2	Lock Nut, #6-32 Nylon
15	2506114	1	Magnet, Encased
16	2901364	1	Machine Screw, Oval Hd., M5-0.8 x 20mm
17	2902124	1	Rubber Cushion Washer
18	2903212	1	Hex Nut, M5-0.8

Water Pump Assembly #6016035



ITEM	PART NO.	QTY.	DESCRIPTION
1	6016226	1	Water Pump, Diaphragm
2	2900312	4	Cap Screw, Hex Hd., M6-1.0 x 35mm
3	2900009	12	Flat Washer, 1/4" SAE
4	2900302	3	Lock Nut, M6-1.0 Nylon Insert
5	2703198	1	Inlet Strainer
6	3200016	3	Hose Clamp #8
7	6016247	1	Hose, 1/2" I.D. x 30"
8	2701694	1	Port Fitting, 1/2" Barb x 90 Degree
9	6016248	1	Hose Assembly 1/2" x 48"
10	2800808	1	Rocker Switch

Decal Group



#1802741 (QTY. 2)



#1802620



#1802760 (QTY. 2)



#1801893

CC9074D
74 HP Large Walk Behind Saw
DEEP CUT MODEL

CC9074D DEEP CUT RPM CHART

BLADE SIZE	BLADE RPM	JACKSHAFT SHEAVE	ENGINE SHEAVE	ENGINE RPM	BELT SIZE	FLANGE SIZE	MAX CUT DEPTH
36"	1,400	5.00"	4.00"	2,600	3VX600	6"	15"
42"	1,150	6.00"	4.00"	2,600	3VX616	7"	17-1/2"
48"	1,000	6.90"	4.00"	2,600	3VX630	8"	20"
54"	870	8.00"	4.00"	2,600	3VX650	9"	22-1/2"
60"	800	8.00"	4.00"	2,400	3VX650	10"	25"

WARNING / ADVERTENCIA

- READ OWNER MANUAL BEFORE OPERATING MACHINE
- USE ONLY IN WELL VENTILATED AREA
- ALWAYS WEAR PERSONAL PROTECTIVE EQUIPMENT
- NEVER EXCEED THE MAXIMUM RPM STAMPED ON THE BLADE! EXCESSIVE SPEED CAN CAUSE BLADE BREAKAGE RESULTING IN SERIOUS PERSONAL INJURY OR DEATH.

#1802684

1802680-Rev1 Diamond Kit

- ON/OFF** (1802683)
- REAR AXLE** (1802684)
- STOP** (1802685)
- EMERGENCY STOP** (1802687)
- WARNING: KEEP HANDS CLEAR** (1802688)
- FLUID LEVEL** (1802689)
- AUXILIARY CONTROLS** (1802690)
- NOTICE: EXPEL WATER AFTER EVERY USE** (1802691)
- ULTRA LOW SULFUR DIESEL FUEL ONLY** (1802692)

Sheet #1802680

Blade Speed Conversion Charts

WARNING: Do not exceed blade speed (RPM) shown for each blade size.
Excessive blade speed could result in blade breakage and serious personal injury!

Blade Size	Blade Shaft	Jackshaft	Engine		Max. Depth of Cut
	RPM	Sheave Size	RPM	Sheave Size	
36"	1,400	5"	2,600	4"	15"
42"	1,150	6"	2,600	4"	17-1/2"
48"	1,000	6.9"	2,600	4"	20"
54"	870	8"	2,600	4"	22-1/2"
60"	800	8"	2,400	4"	25"

WARNING: When changing blade size, use chart shown below for selecting items that must be changed.

Model CC9074	36"	42"	48"	54"	60"
Blade Guard Assembly	6010958	6010960	6010962	6010614	6010616
Jackshaft Sheave (Sheave Size)	6017436 (5")	6013043 (6")	6013213 (6.9")	6013044 (8")	6013044 (8")
Drive Belts (Set of 10) (Belt Size)	2506132 (3VX600K)	2506133 (3VX616K)	2506134 (3VX630K)	2506135 (3VX650K)	2506135 (3VX650K)
Inner Flanges (2) (Flange Size)	6010038 (6")	6017230 (7")	6013017 (8")	6016252 (9")	6040039 (10")
Outer Flanges (2) (Flange Size)	6010039 (6")	6017231 (7")	6013018 (8")	6016253 (9")	6040040 (10")
Skid Plates (2) Mounting Holes	Bottom Set	1 Up from Bottom Set	Middle Set	1 Down from Top Set	Top Set

EQUIPMENT AND PARTS WARRANTY

Diamond Products warrants all equipment manufactured by it against defects in workmanship or materials for a period of one (1) year from the date of shipment to Customer.

The responsibility of Diamond Products under this Warranty is limited to replacement or repair of defective parts at Diamond Products' Elyria, Ohio factory, or at a point designated by it, of such parts as shall appear to us upon inspection at such parts, to have been defective in material or workmanship, with expense for transportation and labor borne by Customer.

In no event shall Diamond Products be liable for consequential or incidental damages arising out of the failure of any Product to operate properly.

Integral units such as engines, electric motors, batteries, transmissions, etc., are excluded from this Warranty and are subject to the prime manufacturer's warranty.

THIS WARRANTY IS IN LIEU OF ALL OTHER WARRANTIES, EXPRESSED OR IMPLIED, AND ALL SUCH OTHER WARRANTIES ARE HEREBY DISCLAIMED.



333 Prospect Street, Elyria, Ohio 44035
(440) 323-4616 • (800) 321-5336 • Fax (800) 634-4035
www.diamondproducts.com