



**CORE VAC  
PARTS LIST**

**CV150C**

**ELECTRIC VAC**

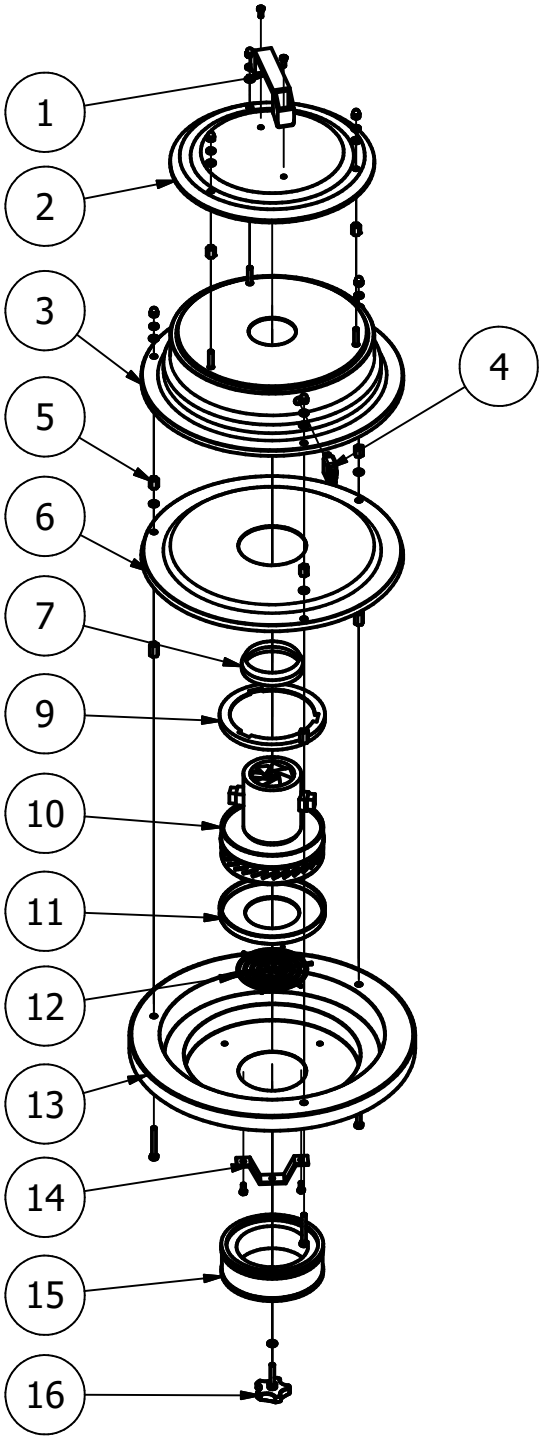
**FEBRUARY, 2024**



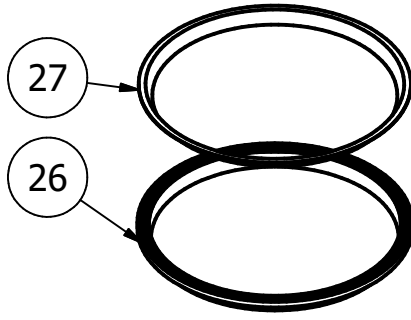
# Table of Contents

<u>Description</u>	<u>Page No.</u>
1. Breakdown.....	4-5
2. Notes.....	6
3. Warranty.....	8

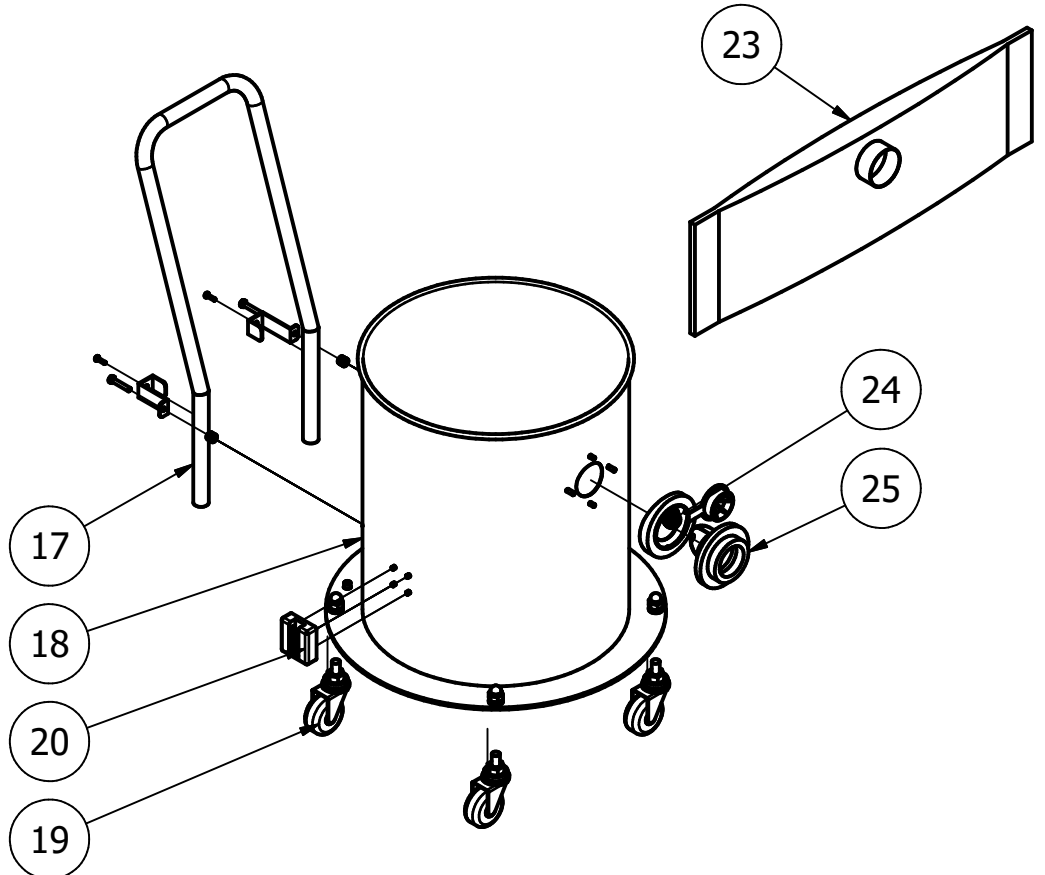
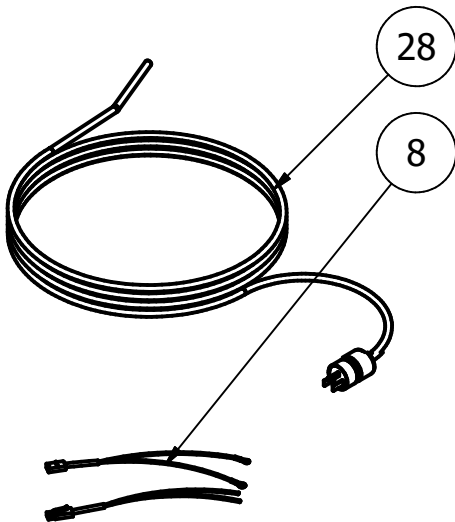
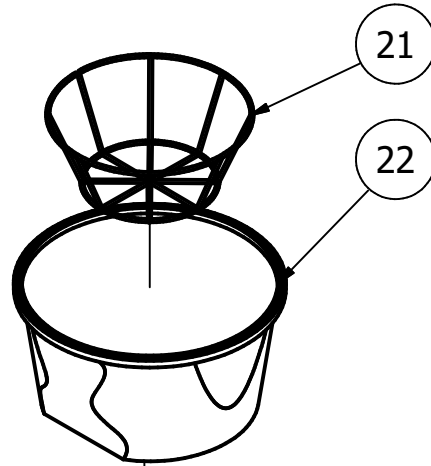
CV150C



WET SETUP



DRY SETUP



ITEM	QTY	DESCRIPTION	PART#
1	1	HEAD HANDLE	2508586
2	1	TOP HEAD COVER	2508591
3	1	MID COVER	2508592
4	1	ON/OFF SWITCH	2508585
5	9	LONG NUT	2508593
6	1	MID COVER	2508594
7	1	MOTOR COVER TOP	2508595
8	1	MOTOR&ON/OFF SWITCH CABLE CONNECTER	2508596
9	1	MOTOR COVER MID	2508597
10	1	MAIN MOTOR	2508581
11	1	MOTOR COVER LOW	2508598
12	1	MASH COVER	2508599
13	1	END HEAD COVER	2508600
14	1	FILTER BRIDGE	2508601
15	1	HEPA FILTER	2508576
16	1	FILTER BOLT	2508602
17	1	HANDLE	2508620
18	1	MAIN DRUM	2508603
19	4	TURN WHEEL 2.5"	2508582
20	2	HANGING STAND	2508604
21	1	FILTER FRAME	2508605
22	1	FILTER	2508577
23	1	COLLECTION BAG	2508578
24	1	SUCTION HOLE CAP	2508606
25	1	SUCTION HOLE	2508607
26	1	RUBBER PACKING	2509319
27	1	WET RING	2509320
28	1	16AWG 3P POWER CORD	2509132





## **EQUIPMENT AND PARTS WARRANTY**

Diamond Products warrants all equipment manufactured by it against defects in workmanship or materials for a period of one (1) year from the date of shipment to Customer.

The responsibility of Diamond Products under this Warranty is limited to replacement or repair of defective parts at Diamond Products' Elyria, Ohio factory, or at a point designated by it, of such parts as shall appear to us upon inspection at such parts, to have been defective in material or workmanship, with expense for transportation and labor borne by Customer.

In no event shall Diamond Products be liable for consequential or incidental damages arising out of the failure of any Product to operate properly.

Integral units such as engines, electric motors, batteries, transmissions, etc., are excluded from this Warranty and are subject to the prime manufacturer's warranty.

**THIS WARRANTY IS IN LIEU OF ALL OTHER WARRANTIES, EXPRESSED OR IMPLIED, AND ALL SUCH OTHER WARRANTIES ARE HEREBY DISCLAIMED.**



333 Prospect Street, Elyria, Ohio 44035  
(440) 323-4616 • (800) 321-5336 • Fax (800) 634-4035  
[www.diamondproducts.com](http://www.diamondproducts.com)