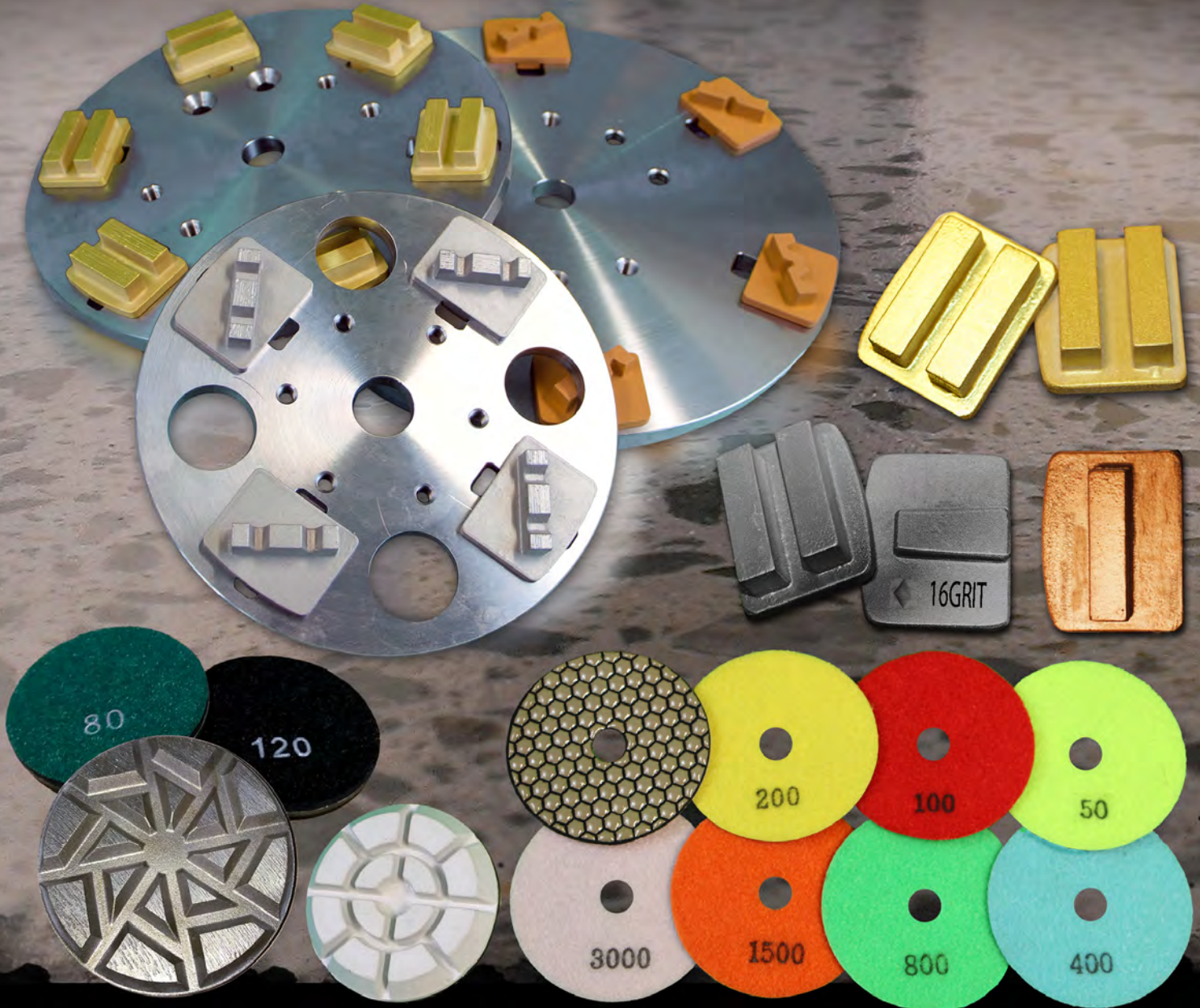


# CORE PROP

# SURFACE PREPARATION PRODUCTS



## Full Line of Surface Preparation Products Including:

- Diamond Grinding Shoes, Heads and Pucks
- Wet and Dry Polishing Pads
- Diamond Grinding Heads
- Walk Behind Floor Grinders
- Hand Held Polisher
- and More

-  @diamondproducts
-  DPMarketing100
-  @diamondproducts
-  @diamondproducts



**Diamond Products Limited**  
333 Prospect Street - Elyria, Ohio 44035 U.S.A.

**800-321-5336**  
[diamondproducts.com](http://diamondproducts.com)

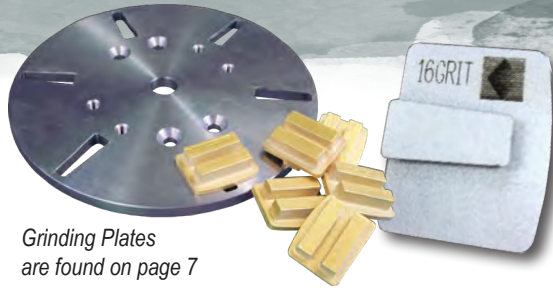


# DIAMOND GRINDING INSERTS

## Core-Lock System

### Core-Lock Diamond Segmented Grinding Inserts

- Good diamond quality for aggressive removal - also great for removing epoxy and paint
- Used in sets of three and available in single or double segments
- For use on floor grinding heads on walk behind machines
- Core-Lock System allows quick installation and worry-free performance



Grinding Plates  
are found on page 7



Part numbers shown are for a package of 3 grinding shoes

## CORE-LOCK SYSTEM

### SEGMENT STYLE



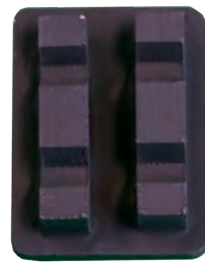
SINGLE Segment Grinding Insert Soft Concrete			
Grit	Core-Lock Part #	Core-Lock Cat #	
25	GSS1025	69022	
40	GSS1040	69102	
80	GSS1080	69191	
150	GSS1150	69193	

DOUBLE Segment Grinding Insert Soft Concrete			
Grit	Core-Lock Part #	Core-Lock Cat #	
25	GSD1025	69345	
40	GSD1040	69391	
80	GSD1080	69409	
150	GSD1150	69426	

SINGLE Segment Grinding Insert Hard Concrete			
Grit	Core-Lock Part #	Core-Lock Cat #	
16	GHS3016	72964	
25	GHS3025	73820	
40	GHS3040	75563	
80	GHS3080	76449	
150	GHS3150	78256	

DOUBLE Segment Grinding Insert Hard Concrete			
Grit	Core-Lock Part #	Core-Lock Cat #	
16	GHD3016	78463	
25	GHD3025	81425	
40	GHD3040	88918	
80	GHD3080	91174	
150	GHD3150	92798	

### SEGMENT STYLE



SINGLE Segment Grinding Insert Medium Concrete			
Grit	Core-Lock Part #	Core-Lock Cat #	
16	GMS2016	69429	
25	GMS2025	69462	
40	GMS2040	70169	
80	GMS2080	69818	
150	GMS2150	70241	

DOUBLE Segment Grinding Insert Medium Concrete			
Grit	Core-Lock Part #	Core-Lock 3-Pack Cat #	
25	GMD2025	70249	
40	GMD2040	70610	
80	GMD2080	70810	
150	GMD2150	71021	

SINGLE Segment Grinding Insert Extremely Hard Concrete			
Grit	Core-Lock Part #	Core-Lock Cat #	
25	GXS4025	00164	
40	GXS4040	03180	
80	GXS4080	12390	
150	GXS4150	16201	

DOUBLE Segment Grinding Insert Extremely Hard Concrete			
Grit	Core-Lock Part #	Core-Lock Cat #	
25	GXD4025	25839	
40	GXD4040	30043	
80	GXD4080	30309	
150	GXD4150	30485	

### GRINDING INSERT GRIT COLOR CODES:



For use on floor grinding machines.



To ensure maximum performance, water is required to cool grinding heads during the grinding process.

# DIAMOND GRINDING INSERTS

## HTC® Compatible



### Diamond Segmented Grinding Inserts for HTC® Machines

- Good diamond quality for aggressive removal - also great for removing epoxy and paint
- Used in sets of three and available in single or double segments
- For use on HTC grinding machines

Part numbers shown are for a package of 3 grinding shoes

SOFT CONCRETE	SINGLE Segment Grinding Shoe Soft Concrete		
	Grit	Part # (HTC® Compatible)	Cat # (HTC® Compatible)
	25	GHSS1025	45020
	40	GHSS1040	45084
	80	GHSS1080	45121
	150	GHSS1150	45142
DOUBLE Segment Grinding Shoe Soft Concrete			
Grit	Part # (HTC® Compatible)	Cat # (HTC® Compatible)	
25	GHSD1025	45158	
40	GHSD1040	45184	
80	GHSD1080	45251	
150	GHSD1150	45307	

MEDIUM CONCRETE	SINGLE Segment Grinding Shoe Medium Concrete		
	Grit	Part # (HTC® Compatible)	Cat # (HTC® Compatible)
	16	GHMS2016	45386
	25	GHMS2025	45426
	40	GHMS2040	45470
	80	GHMS2080	45499
150	GHMS2150	45742	
DOUBLE Segment Grinding Shoe Medium Concrete			
Grit	Part # (HTC® Compatible)	Cat # (HTC® Compatible)	
25	GHMD2025	45791	
40	GHMD2040	45896	
80	GHMD2080	45942	
150	GHMD2150	45952	

HARD CONCRETE	SINGLE Segment Grinding Shoe Hard Concrete		
	Grit	Part # (HTC® Compatible)	Cat # (HTC® Compatible)
	16	GHHS3016	46085
	25	GHHS3025	46194
	40	GHHS3040	46243
	80	GHHS3080	46369
150	GHHS3150	46385	
DOUBLE Segment Grinding Shoe Hard Concrete			
Grit	Part # (HTC® Compatible)	Cat # (HTC® Compatible)	
16	GHHD3016	46386	
25	GHHD3025	46387	
40	GHHD3040	46391	
80	GHHD3080	46392	
150	GHHD3150	46393	

EXTREMELY HARD CONCRETE	SINGLE Segment Grinding Shoe Extremely Hard Concrete		
	Grit	Part # (HTC® Compatible)	Cat # (HTC® Compatible)
	25	GHXS4025	46398
	40	GHXS4040	46399
	80	GHXS4080	46401
	150	GHXS4150	46496
DOUBLE Segment Grinding Shoe Extremely Hard Concrete			
Grit	Part # (HTC® Compatible)	Cat # (HTC® Compatible)	
25	GHXD4025	46524	
40	GHXD4040	46533	
80	GHXD4080	46539	
150	GHXD4150	46550	

HTC® is copyright of the HTC Group and in no way affiliated with Diamond Products Limited

### GRINDING INSERT GRIT COLOR CODES:



For use on HTC floor grinding machines.



To ensure maximum performance, water is required to cool grinding heads during the grinding process.



# CPG80E LOW PROFILE FLOOR GRINDER



Low profile for hard to reach areas



Swivel adjust rear axle and heavy duty steel frame

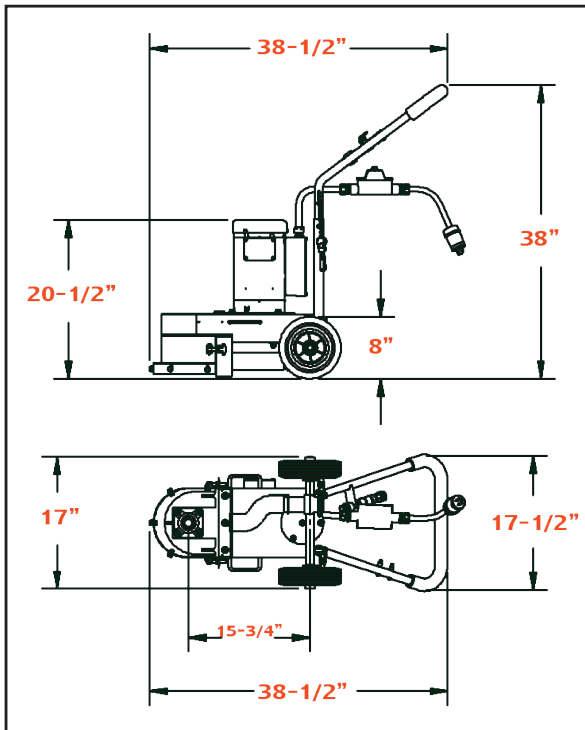


**CORE  
PROP**

Floor Preparation  
Products



MADE IN THE  
U.S.A.



8" Head Capacity

Electric

## FEATURES

- 2 HP Baldor-1PH, 115V, 16 amp motor
- Floating grinding head and shroud moves with the surface
- Remove paint, epoxy and rough spots
- Easy to maneuver push drive
- Slurry skirt keeps the machine on the grinding surface
- 2800 rpm grinding head speed
- Includes 50ft, 12 gauge extension cord



8" Heavy Duty Orange  
grinding head included  
(Cat # 03330)

## CPG80E SINGLE HEAD LOW PROFILE FLOOR GRINDER

Model #	Engine/Motor Type	Part #	Cat #	Head Capacity	Product Weight (lbs.)
CPG82E1-8	2HP-1PH-*115V or 230V Baldor® Electric	5801037	13317	8"	120

\* Must specify 115V or 230V when ordering

# CPG100 SINGLE HEAD FLOOR GRINDER



Floor Preparation Products



MADE IN THE U.S.A.

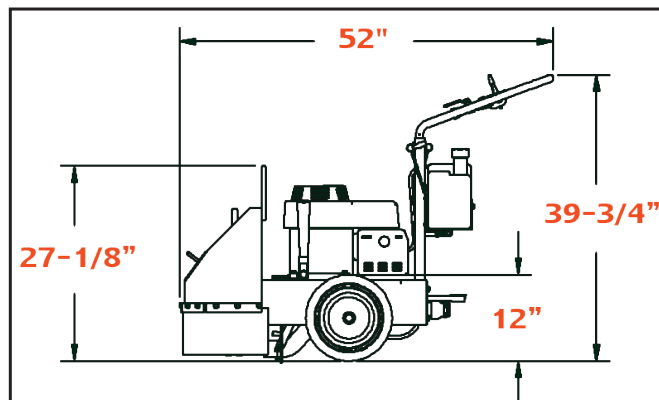
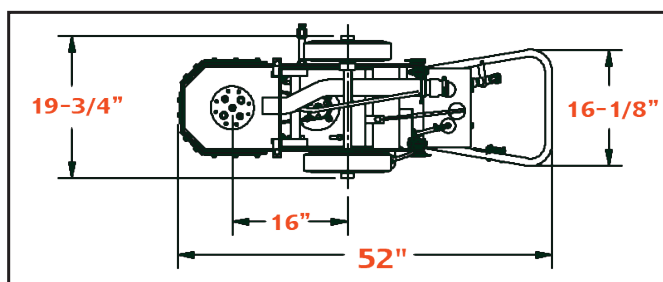


Grinds, cleans, levels, and smooths bumps and uneven areas quickly

10"/12" Head Capacity Gasoline Electric

## FEATURES

- Remote throttle
- 2" dust port opening
- Floating grinding head and shroud moves with the surface
- Single grease point
- Steel box frame
- Adjustable operator handles
- Lifting handles
- Kick-step for easy wheel adjustment
- Variety of power options: gas, electric or hydraulic
- Single head for fast, aggressive grinding
- Greasing points are easily accessible
- Electric models include starter box
- Includes 50 pound weight that maintains surface pressure



## CPG100 SINGLE HEAD FLOOR GRINDER

Model #	Engine/Motor Make	Engine/Motor Power	Power Source	Part #	Cat #	Head Capacity	Product Weight (lbs)
CPG102E1	Baldor®	2 HP-1PH, 115V or 230V	Electric	5800727	13227	10"/12"	370
CPG110H	Honda® GXV390	10.2 HP	Gas	5800726	13420	10"/12"	320
CPG175E1	Baldor®	7.5 HP-1PH, 230V	Electric	5800828	15040	10"/12"	355
CPG175E3	Baldor®	7.5 HP-3PH, 230V	Electric	5800829A	15048	10"/12"	370
CPG175E3	Baldor®	7.5 HP-3PH, 460V	Electric	5800829B	14123	10"/12"	370
NOTE: Floor Grinders comes with one 65lb weight ballast (*excludes Model # CPG102E1)							
		Optional Second weight		2501047	47017	---	50

\* Must specify 115V or 230V when ordering  
Horsepower as rated by the engine manufacturer

# CPG200 DUAL HEAD FLOOR GRINDER

Accommodates Both Diamond Grinding Heads,  
Grinding Blocks, and Grinding Plates with Core-Lock

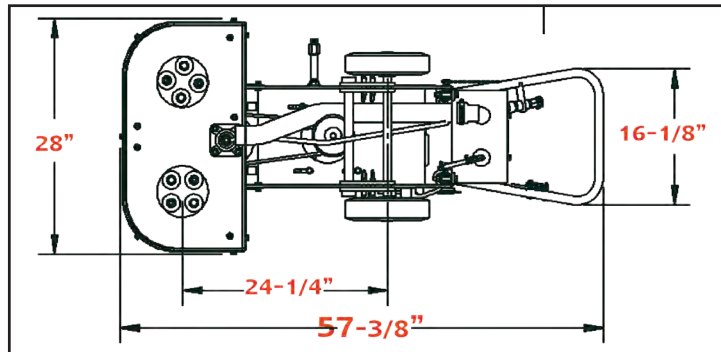
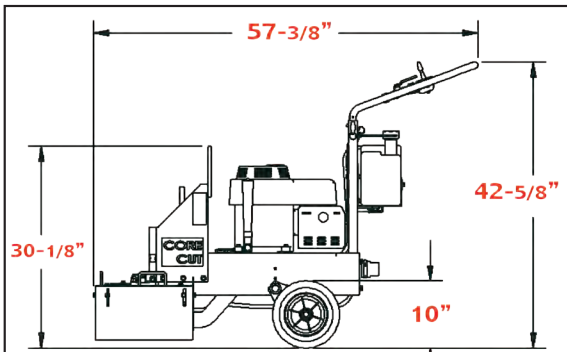
10"/12" Head Capacity **Gasoline** **Electric**

## FEATURES

- Remote throttle
- 2" dust port opening
- Multiple grease point
- 1/4" thick steel box frame
- Water hose connection
- Floating grinding head and shroud moves with the surface
- Adjustable operator handles
- Multiple lifting handles and single lifting point
- Dual head allows large 24" grinding area with two 12" heads
- 3 rear axle positions and swivel axle
- Matches the height of the grinding head being used and allows for rapid change in weight distribution during grinding or transport
- Can use diamond grinding head, carbide blocks, grinding stones, and Core-Lock
- Includes 50 pound weight that maintains surface pressure



**CORE  
PREP**  
Floor Preparation  
Products



## CPG200 DUAL HEAD FLOOR GRINDER

Model #	Engine/Motor Make	Engine/Motor Power	Power Source	Part #	Cat #	Head Capacity	Product Weight (lbs)
CPG210H	Honda® GXV390	10.2 HP	Gas	5801238	42874	(2)10"/(2)12"	530
CPG202E1	Baldor®	2 HP-1PH, 115V or 230V*	Electric	5801235	42765	(2)10"/(2)12"	390
CPG275E1	Baldor®	7.5 HP-1 PH, 230 Volt	Electric	5801236	42793	(2)10"/(2)12"	524
CPG275E1	Baldor®	7.5 HP-3 PH, 230 Volt	Electric	5801237A	42802	(2)10"/(2)12"	560
CPG275E3	Baldor®	7.5 HP-3 PH, 460 Volt	Electric	5801237B	42827	(2)10"/(2)12"	560

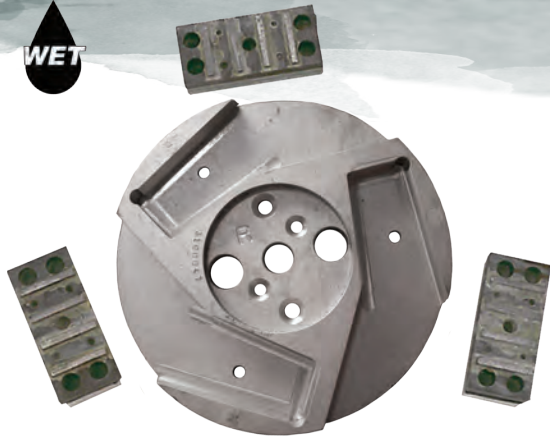
NOTE: Each Floor Grinder comes with one 65 lb weight ballast (\*excludes Model # CPG202E1)

Optional second weight	2501047	47017	---	50
------------------------	---------	-------	-----	----

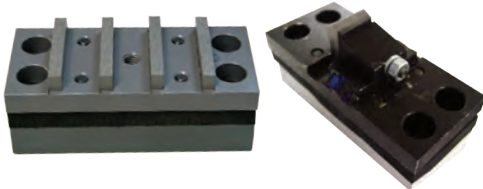
\* Must specify 115V or 230V when ordering  
Horsepower as rated by the engine manufacturer



# FLOOR GRINDING BLOCKS & HEADS



Aluminum Disc Shown with Grinding Blocks



Diamond Segmented Grinding Block

Carbide Cutting Block

Grinding blocks have a bolt-on back which offers a more secure holding of the diamond grinding block.



GB4000XT Super Premium Block-11mm segment height-extra long life

\*Designed for our dual head floor grinders. Recommended to replace all 6 blocks at the same time.

## Floor Grinding Blocks

- Grinding blocks designed for wet floor grinding
- Can be easily re-segmented
- Set of three or six diamond blocks available that also work with competition-style floor grinders
- Works best for grinding high spots, preparation for new finished or polished concrete floors
- Made with top quality diamonds to ensure long lasting, fast grinding efficiency

### DIAMOND GRINDING BLOCKS

Part #	CAT #	Application	Spec
GB4000	39674	Hard Concrete, Non-Abrasive	GB64
GB4000	68323	General Purpose	GB66
GB4000	76121	Epoxy Mortar, Long Life	GB68
GB4000XT	40386	Super Premium, General Purpose	GBXT

### TERRAZZO GRINDING-CONTAINS DIAMONDS

GB4000	43782	60 Grit	GB50T60
GB4000	60218	80 Grit	GB50T80
GB4000	45915	120 Grit	GB50T120

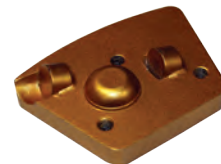
### GRINDING BLOCK STEEL SHOE WITH 4 SEGMENTS

GB4000S	93642	Hard Concrete, Non-Abrasive	GB50
GB4000S	54071	Medium Hard Concrete	GB60
GB4000S	96260	Medium Concrete	GB64
GB4000S	96261	General Purpose	GB66
GB4000S	95837	Abrasive Materials	GB68
GB4000SV	33913	Extremely Hard Concrete (bolt on)	C19
GB4000SV	74985	Very Hard Concrete (bolt on)	C42
GB4000SV	33910	Hard Concrete (bolt on)	C51W
CCB4000	72741	Carbide Cutting Block	---
CCBI4000	85627	Carbide Cutting Insert Only	---
6041057	55473	Aluminum Disc-Right Side w/3 slot	---
6041058	47862	Aluminum Disc-Left Side w/3 slot	---
WEDGES	46872	Wooden Wedges for Holding Grinding Stones (See Abrasives Section)	---

## PCD Grinding

For epoxy and glue removal. Use in multiples on 8" or 10" grinding head.

For use on **CORE PREP** single or dual head floor grinders.



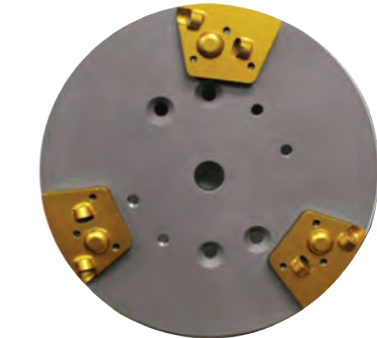
PCD Grinding Wing

### PCD GRINDING HEADS

Part #	CAT #	Application
PCDWING	21751	PCD wing for grinding (3 pieces per grinding head)
GH08PCD	13406	8" grinding head with 2 PCD grinding wings
GH10PCD	23758	10" grinding head with 3 PCD grinding wings
GH10PCDLEFT	54116	10" grinding head (Left) with 3 PCD grinding wings

### PLATES FOR CORE-LOCK GRINDING SHOES

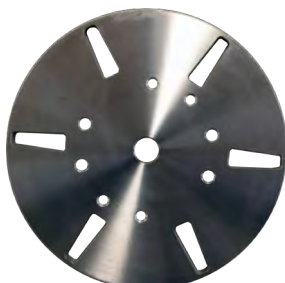
Size	Number of Shoes	Part #	Cat #
8"	4	GP8000	05407
10"	6	GP10000	05409
12"	6	GP12000	05419



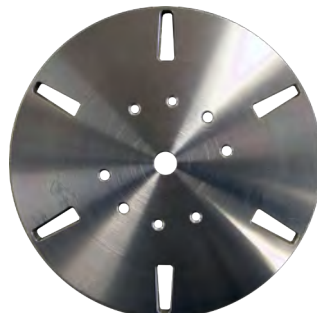
For use on floor grinding machines.



**8" Grinding Plate**  
Fits Diamond Products' CP80E and Diteq® grinders



**10" Grinding Plate**  
Fits Diamond Products' CP100 & CC200, Target, Husqvarna® and EDCO® grinders



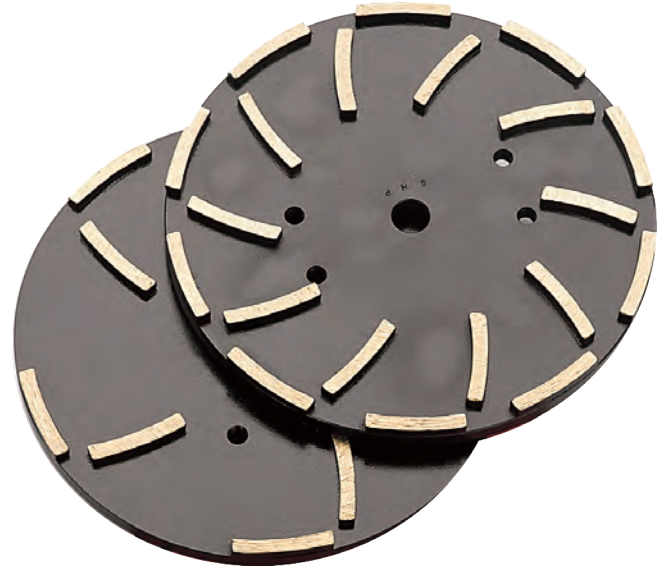
**12" Grinding Plate**  
Fits Diamond Products' CP200 grinders

Diteq®, Husqvarna®, EDCO® and HTC® are copyright of their individual companies and in no way affiliated with Diamond Products Ltd.

# DIAMOND GRINDING HEADS

## Diamond Floor Grinding Heads

- Sizes 8", 10" and 12" grinding heads that take the rough spots out of concrete surfaces in a hurry along with an 8" head for smaller units
- Effective on floors, streets, highways, sidewalks and more
- Cleans, levels and smooths bumps and uneven areas
- Removes rain spots and epoxies
- For use on Core Prep floor grinders and other similar machines



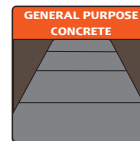
8" HEAVY DUTY ORANGE FLOOR GRINDING HEADS		
Material, Abrasive Level	8", 12 Segment Specification	CAT #
Hard, Non-Abrasive	GSH12	03330
Soft, Abrasive	GHH12	14317

10" HEAVY DUTY ORANGE FLOOR GRINDING HEADS		
Material, Abrasive Level	10", 12 Segment Specification	CAT #
Hard, Non-Abrasive	GSH12	11393
Soft, Abrasive	GHH12	23592
Material, Abrasive Level	10", 24 Segment Specification	CAT #
Hard, Non-Abrasive	GSH24	11401
Soft, Abrasive	GHH24	11398

12" HEAVY DUTY ORANGE FLOOR GRINDING HEADS		
Material, Abrasive Level	12", 12 Segment Specification	CAT #
Hard, Non-Abrasive	GSH24	69786
Soft, Abrasive	GHH24	76758
Material, Abrasive Level	12", 24 Seg Specification	CAT #
Hard, Non-Abrasive	GSH24	39534
Soft, Abrasive	GHH24	38541

10" PREMIUM BLACK FLOOR GRINDING HEADS		
Material, Abrasive Level	10", 12 Segment Specification	CAT #
Hard, Non-Abrasive	GSP12	11406
Soft, Abrasive	GHP12	20198
Material, Abrasive Level	10", 24 Segment Specification	CAT #
Hard, Non-Abrasive	GSP24	00019
Soft, Abrasive	GHP24d	11410

12" PREMIUM BLACK FLOOR GRINDING HEADS		
Material, Abrasive Level	12", 12 Segment Specification	CAT #
Hard, Non-Abrasive	GSP12	41193
Soft, Abrasive	GHP12	41194
Material, Abrasive Level	12", 24 Segment Specification	CAT #
Hard, Non-Abrasive	GSP24	39164
Soft, Abrasive	GHP24	40051



For use on floor grinding machines.



To ensure maximum performance, water is required to cool grinding heads during the grinding process.





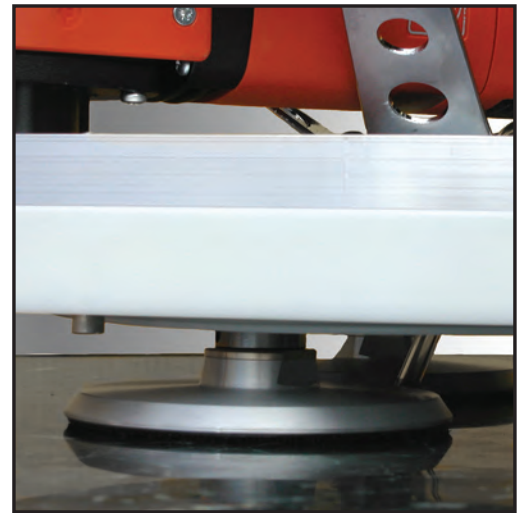
12" Grinding Width

**5" Pad Capacity**

**Electric**

**Features & Benefits:**

- Uses three 5" diamond polishing pads and/or diamond grinding discs
- Planetary, gear driven system
- Powered by a heavy duty FEIN® variable speed motor
- Center coolant feed
- Precision bearings
- Heavy duty handles and body
- Built-in vacuum port
- Rugged, hand-operated 12" platform that grinds, hones and polishes concrete surfaces
- Operates wet or dry (with optional dust cowl)
- 12" platform turns at a lower rate than the higher rotational speed (>2000rpm) of the 5" platens
- The RPM provides the optimal speed for diamond polishing, producing a perfect finish 5 times faster than a single head polisher



One of three 5" grinding platens (Velcro® surface)

CP305 SPECIFICATIONS	
Power Supply	115V/60Hz
Motor Power	2 HP
Amp Draw	11 amp, uses 20amp breaker
RPM	2500
Includes	Slurry skirt, coolant feed

CP305 HAND POLISHER						
Model #	Motor Power	Power Source	Part #	Cat #	Pad Capacity	Product Weight (lbs.)
CP305	115 V, 11 amp	Electric	5801328	32947	5" x 3	30

# POLISHING PADS & PUCKS

## 7 Steps to an Ultra-Smooth, High Sheen Finish! For Use on Most Standard Concrete Polishing Machines



### Premium Wet Polishing Pads

- Resin bonded pads for high sheen concrete polishing
- Ultra-smooth finish
- High strength Velcro® back for worry-free finishing

#### 4" PREMIUM WET POLISHING PADS

Grit	Part #	Cat #
50	DCP043050	68436
100	DCP0430100	68439
200	DCP0430200	68440
400	DCP0430400	68441
800	DCP0430800	68442
1500	DCP04301500	68480
3000	DCP04303000	68487



### Premium Dry Polishing Pads

- Resin bonded pads for high sheen concrete polishing
- Ultra-smooth finish
- High strength Velcro® back for worry-free finishing

#### 4" PREMIUM DRY POLISHING PADS

Grit	Part #	Cat #
50	DCPD0450	68509
100	DCPD04100	68510
200	DCPD04200	68516
400	DCPD04400	68529
800	DCPD04800	68530
1500	DCPD041500	68536
3000	DCPD043000	68545



### 5" Premium Wet Polishing Pads

- Resin bonded pads for high sheen concrete polishing
- Ultra-smooth finish
- High strength Velcro® back for worry-free finishing

#### 5" PREMIUM WET POLISHING PADS

Grit	Part #	Cat #
50	DCP053050	85165
100	DCP0530100	85241
200	DCP0530200	85262
400	DCP0530400	85349
800	DCP0530800	85356
1500	DCP05301500	85362
3000	DCP05303000	85378



### 7" Premium Wet Polishing Pads

- Resin bonded pads for high sheen concrete polishing
- Ultra-smooth finish
- High strength Velcro® back for worry-free finishing

#### 7" PREMIUM WET POLISHING PADS

Grit	Part #	Cat #
50	DCP073050	21901
100	DCP0730100	21971
200	DCP0730200	22014
400	DCP0730400	22028
800	DCP0730800	22052
1500	DCP07301500	22066
3000	DCP07303000	22071

**DRY DISCOUNT USED ON ALL  
PADS & PUCKS**





### Premium Wet Polishing Pads

- Resin bonded pads for high sheen concrete polishing
- 3" for hand-held polishing machines
- High strength Velcro® back for worry-free finishing

3" X 10MM FLOOR POLISHING PUCKS		
Grit	Part #	Cat #
50	DCP031050	68657
100	DCP0310100	68579
200	DCP0310200	68762
400	DCP0310400	68763
800	DCP0310800	68863
1500	DCP03101500	68881
3000	DCP03103000	68911



### 3-Step Polishing Pucks

- Used in three phases for a beautiful shine
- 3" for hand-held polishing machines
- High strength Velcro® back for worry-free finishing

3" (3-STEP) FLOOR POLISHING PUCKS		
STEP	Part #	Cat #
#0	DCP03100	68934
#1	DCP03101	68942
#2	DCP03102	68951
#3	DCP03103	68989
#3 Extra Shine	DCP03103X	69006



### Metal Transition Grinding Pucks

- Good quality diamond for long life grinding
- For a smooth grind before polish
- Available in two grits

3" METAL FLOOR GRINDING PUCKS		
Grit	Part #	Cat #
80	CGMP0380	69012
120	CGMP03120	69014



### Backer Pads for Polishing Pads & Pucks

- 5/8"-11 threaded hub
- High-strength Velcro® back with foam cushion for worry-free finishing and grinding

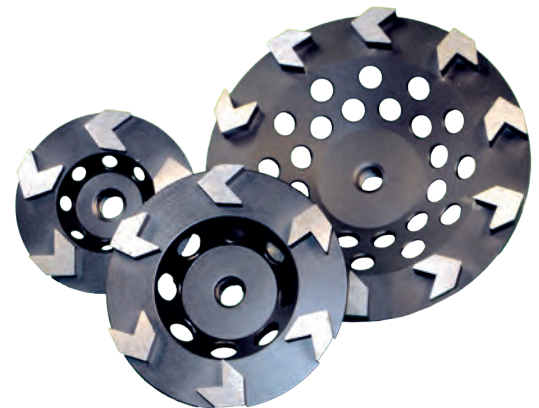
BACKER PADS		
Size	Part #	Cat #
4"	BPV4000	75461
5"	BPV5000	75462
7"	BPV7000	54543



### PCD Cup Grinder

- Polycrystalline diamond allows aggressive removal of glue, epoxy and grout

PCD CUP GRINDERS		
SIZE	Part #	Cat #
4-1/2" x 5/8-11	CGPC4500	14986
7" x 5/8-11	CGPC7000	21715



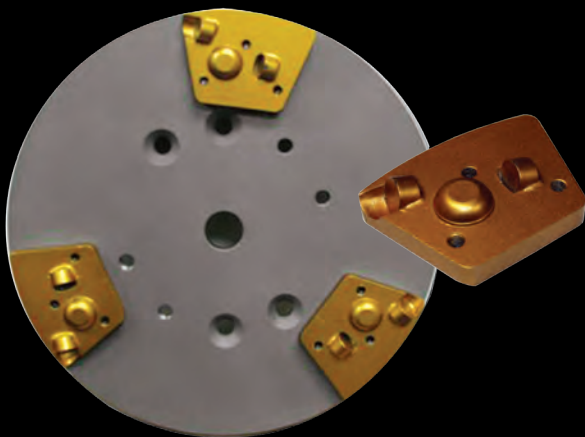
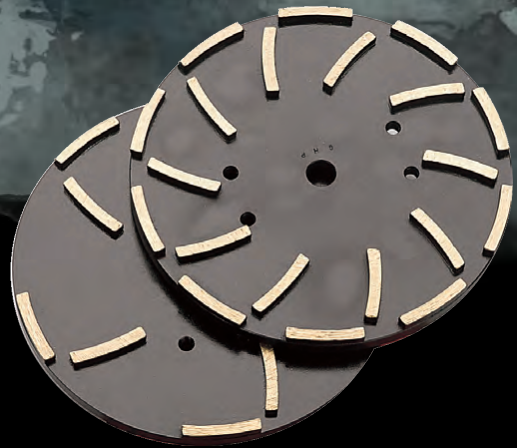
### ARROW Segmented Cup Grinder

- Good quality diamond for long life grinding
- Used for grinding concrete before polish

ARROW SEGMENTED CUP GRINDER FOR FLOOR FINISHING		
SIZE	Part #	T5A Cat #
4" x 5/8-11	CGA4000	64783
5" x 5/8-11	CGA5000	65010
7" x 5/8-11	CGA7000	65085



# CORE PREP™



**Diamond Products Limited**  
333 Prospect Street - Elyria, Ohio 44035 U.S.A.

**800-321-5336**  
[diamondproducts.com](http://diamondproducts.com)