



**CORE CUT
PARTS LIST MANUAL**

**CSH24
FLUSH CUT CHAIN SAW**

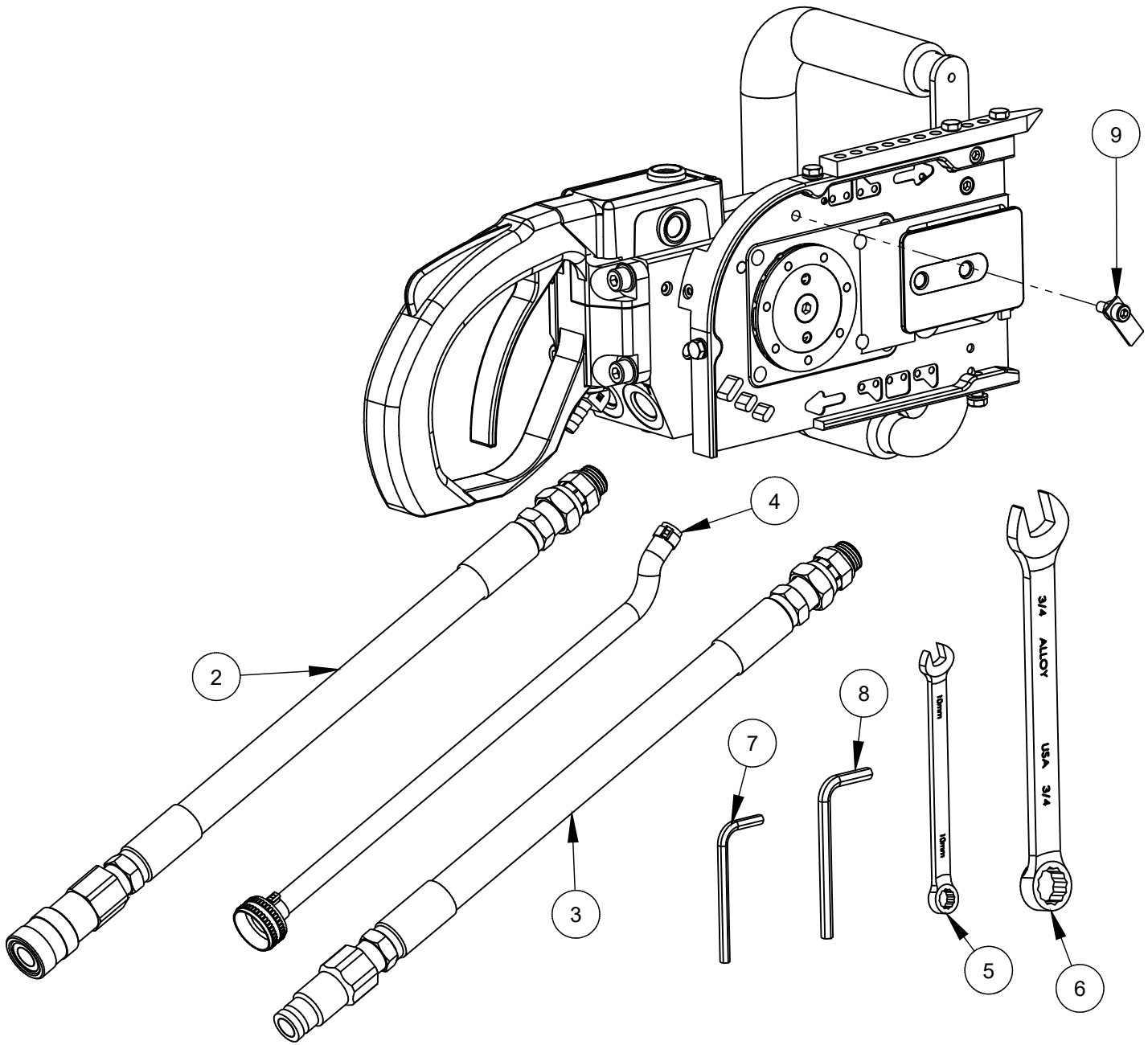
OCTOBER, 2023

Part #: 1801445-04

Table of Contents

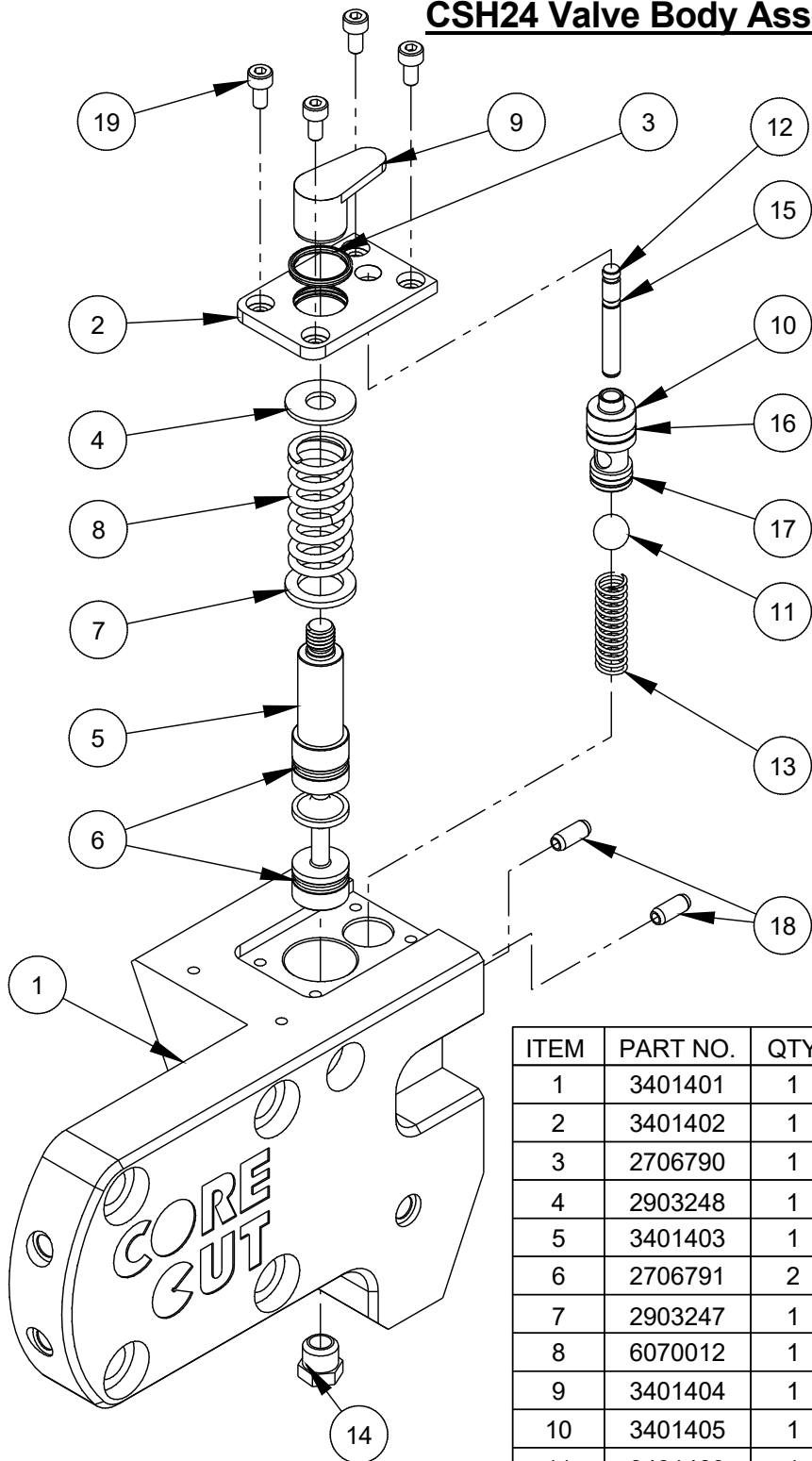
<u>Description</u>	<u>Page No.</u>
CSH24 Chain Saw Assembly	4
CSH24 Valve Body Assembly.....	5
CSH24 Powerhead Assembly.....	6
CSH24 Direct Fit Powerhead Assembly.....	8
12” Chain Saw Bar.....	10
16” Chain Saw Bar.....	11
20” Chain Saw Bar.....	12
24” Chain Saw Bar.....	13
12” Direct Fit Chain Saw Bar	14
16” Direct Fit Chain Saw Bar	15
20” Direct Fit Chain Saw Bar	16
25” Direct Fit Chain Saw Bar	17
Warranty	12

CSH24 Chain Saw Assembly #5801010



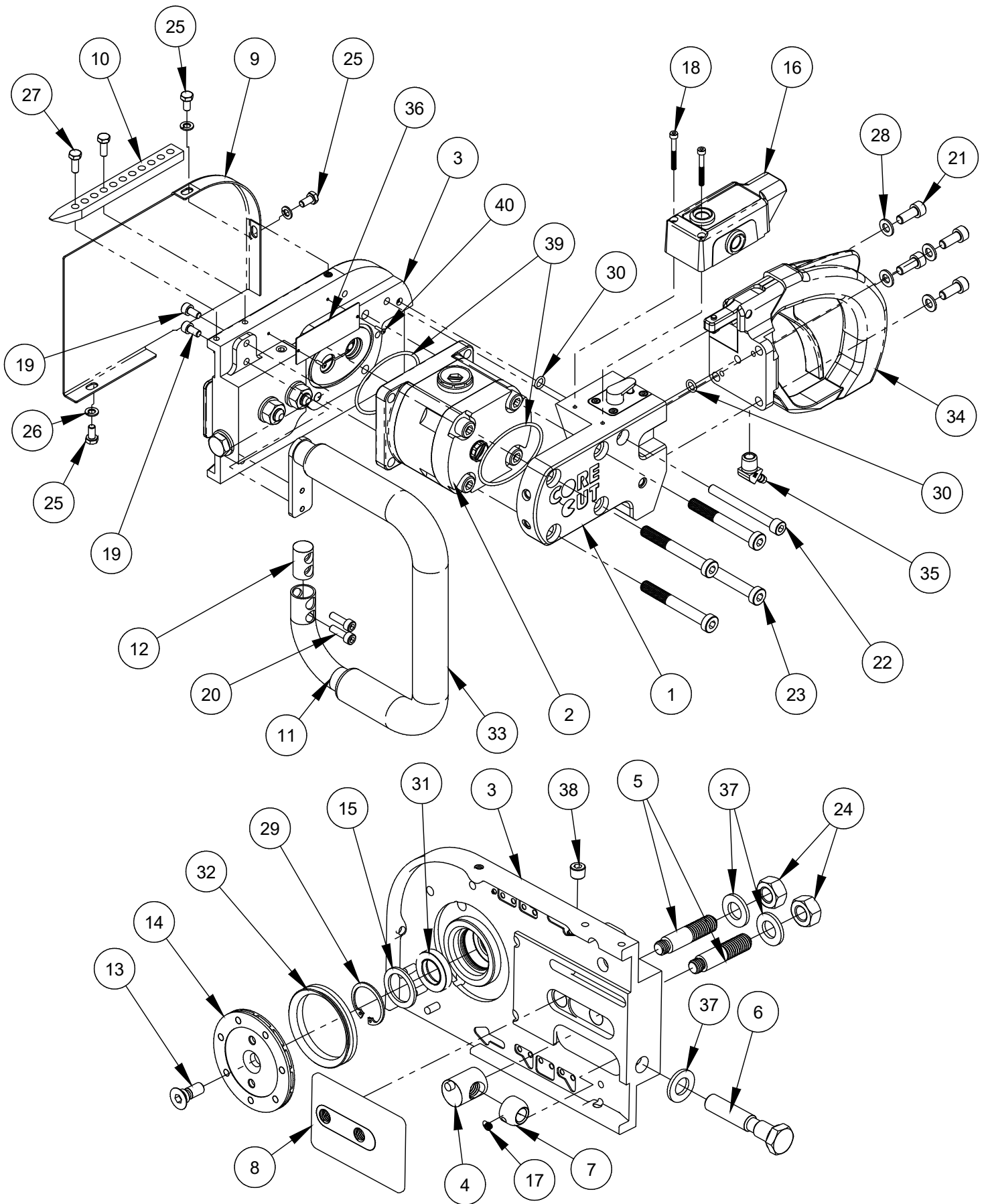
ITEM	PART NO.	QTY.	DESCRIPTION
1	3401281	1	CSH24 Chain Saw Powerhead
2	6044000	1	Inlet Hose Assembly, 19"
3	6044001	1	Outlet Hose Assembly, 18.75"
4	6049130	1	Water Hose Assembly, 1/4"
5	2400221	1	10MM Combo Wrench 12 Point
6	2400146	1	Wrench, 3/4" Combination
7	2500359	1	Key, 5MM Hex
8	2500360	1	Key, 6MM Hex
9	3401077	1	Sprocket Lock Tool Assy.

CSH24 Valve Body Assembly #3401398



ITEM	PART NO.	QTY	DESCRIPTION
1	3401401	1	Valve Body CSH24
2	3401402	1	Valve Cap
3	2706790	1	X-Ring 15.6x1.78
4	2903248	1	Washer 20MM x 8MM x 1.5MM
5	3401403	1	Slidegate Valve
6	2706791	2	X-Ring 10.77x2.62
7	2903247	1	Washer M12 20MM x 13MM x 2MM
8	6070012	1	Compression Spring, .72" x 1.5"
9	3401404	1	Beam,CSH24 Valve Body
10	3401405	1	Plug Valve
11	3401409	1	Ball, Steel 10mm CSH24
12	3401406	1	Needle Valve
13	6070007	1	Spring, Compression 8x1/40.5 CSH24
14	3201998	1	Breather Vent, 1/8" NPT
15	2706792	1	O-Ring 2x1.5 N70
16	2706793	1	O-Ring 10x2.0 N70
17	2706794	1	O-Ring 9.0x1.5 N70
18	2706795	2	Roll Pin 5x12 ISO8748 BN876
19	3403788	4	Cap Screw, Soc. Hd., M4 x 8mm

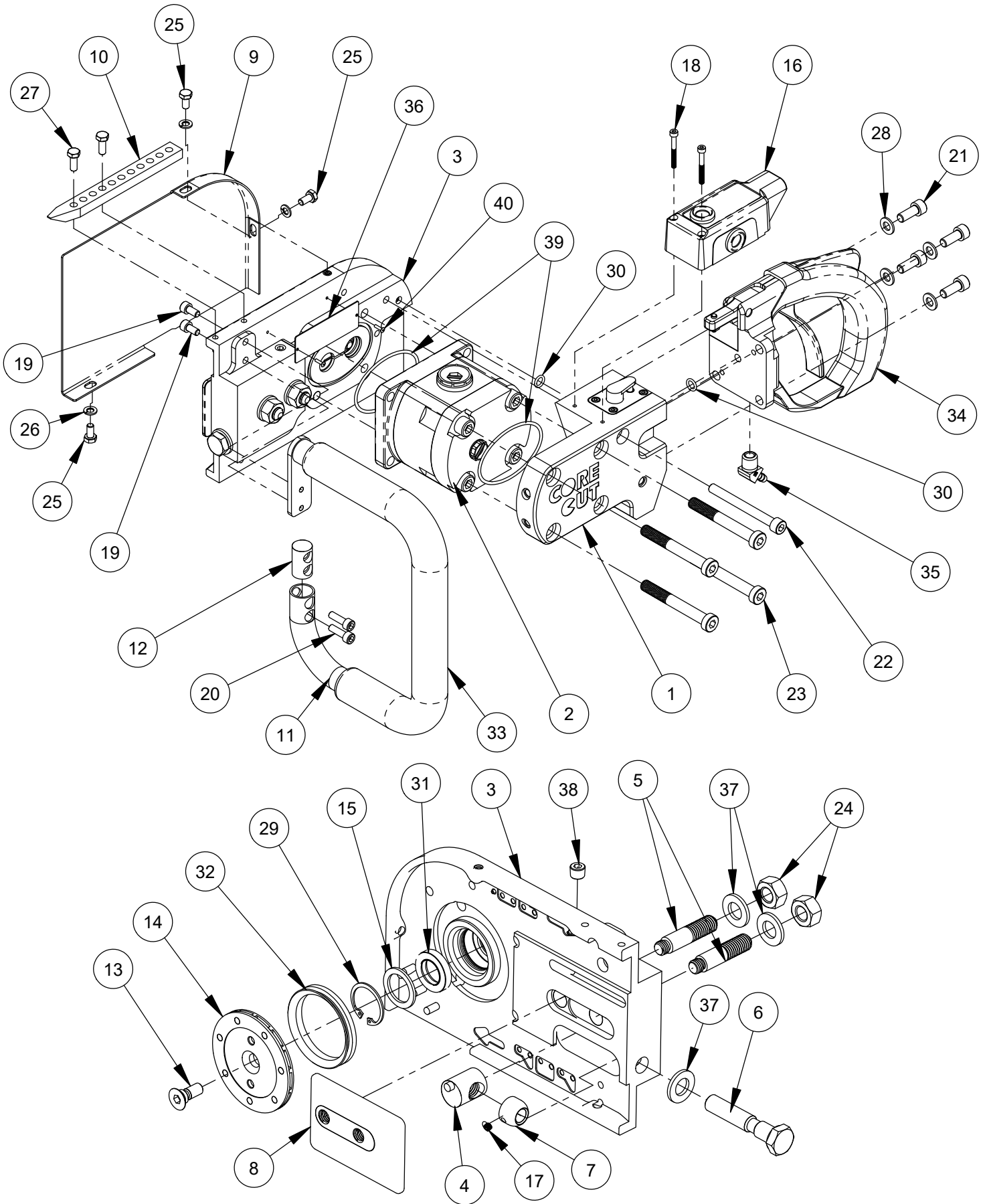
CSH24 Chain Saw Powerhead #3401281



CSH24 Chain Saw Powerhead #3401281

ITEM	PART NO.	QTY.	DESCRIPTION
1	3401398	1	Valve Body CSH24
2	3401399	1	Hyd. Motor GR2 8CCM - CSH24 Saw
3	3401408	1	Chain Saw Frame Assy, CSH24
4	3401013	1	Tensioning Nut
5	3401018	2	Bolt to Chain Bar
6	3401015	1	Tensioning Screw
7	3401014	1	Nut, Counter
8	3401017	1	Chain Bar Plate
9	3401287	1	Chain Guard
10	3402177	1	Cutting Mandrel
11	3401010	1	Handle (Weldment)
12	3401392	1	Clamp Piece
13	3401152	1	Screw M8 LEFT x 22
14	6049138	1	Chain Saw Sprocket Assy
15	3401407	1	Seal Back Up Ring
16	6048785	1	Spirit Level
17	2902429	1	Set Screw, Soc. Hd., M5x0.8 x 4mm
18	2900887	2	Cap Screw, Soc. Hd., M4 x 35
19	3402011	2	Cap Screw, Soc. Hd., M6 x 16
20	2900554	2	Cap Screw, Soc. Hd., M6-1.0 x 20mm
21	2900243	4	Cap Screw, Soc. Hd., M8-1.25 x 20mm
22	2903249	1	Cap Screw, Soc. Hd., M8 x 80
23	2900666	4	Cap Screw, Soc. Hd., M10 x 80 Low Head
24	2900482	2	Hex Nut, M12-1.75
25	2900544	3	Cap Screw, Hex Hd., M6-1.0 x 12mm
26	2900765	3	Lock Washer, M6 Split
27	2900341	2	Cap Screw, Hex Hd., M6-1.0 x 16mm
28	2901336	4	Flat Washer, M8
29	2704957	1	Ring, Retaining, Int 30mm
30	3401400	2	O-Ring 8.0x2.0 N70
31	3401295	1	Seal, Motor Shaft
32	3400837	1	Seal,CSF40 Sprocket
33	3401418	1	Grip, Handle
34	6048885	1	Rear Handle Assembly
35	3204213	1	1/4"M.Pipe to 1/4"Hose Barb
36	1800169	1	Serial Number Plate, US
37	2901357	3	Flat Washer, M12
38	3401417	1	Screw, Locking
39	3401416	2	O-ring, M2.62 x 66.35
40	2900053	2	Rivet, 3/32" Dia.

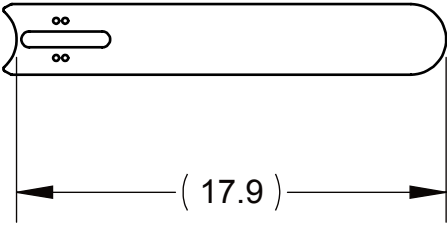
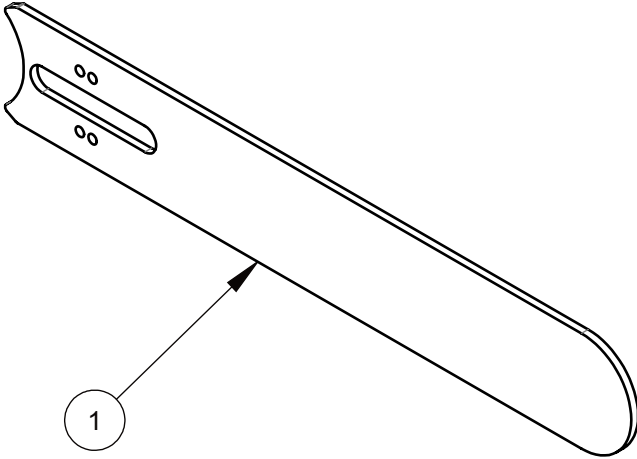
CSH24 Direct Fit Chain Saw Powerhead #3402201



CSH24 Direct Fit Chain Saw Powerhead #3402201

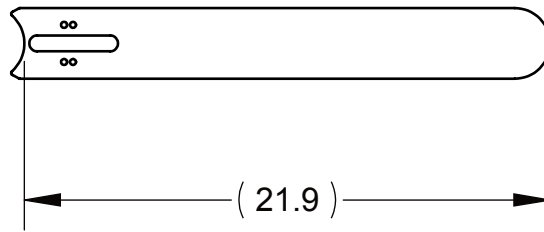
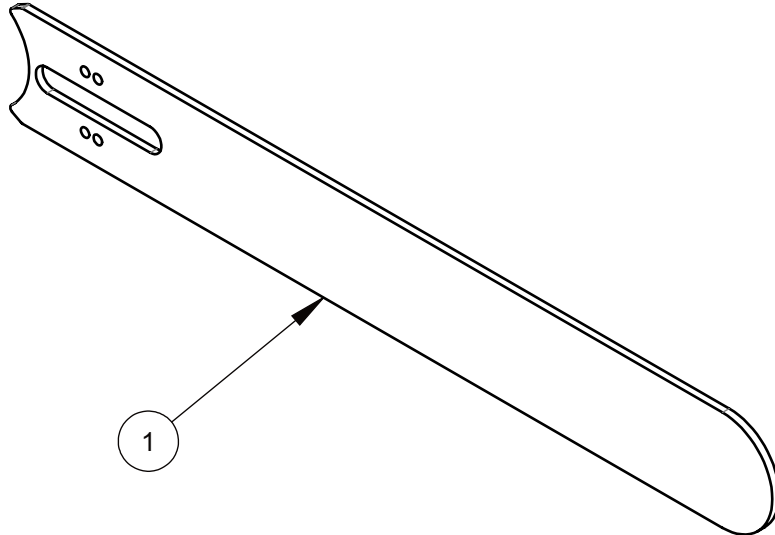
ITEM	PART NO.	QTY.	DESCRIPTION
1	3401398	1	Valve Body CSH24
2	3401399	1	Hyd. Motor GR2 8CCM - CSH24 Saw
3	3401408	1	Chain Saw Frame Assy, CSH24
4	3401013	1	Tensioning Nut
5	3401018	2	Bolt to Chain Bar
6	3401015	1	Tensioning Screw
7	3401014	1	Nut, Counter
8	3401017	1	Chain Bar Plate
9	3401287	1	Chain Guard
10	3402177	1	Cutting Mandrel
11	3401010	1	Handle (Weldment)
12	3401392	1	Clamp Piece
13	3401152	1	Screw M8 LEFT x 22
14	6049164	1	Chain Saw Sprocket Assy
15	3401407	1	Seal Back Up Ring
16	6048785	1	Spirit Level
17	2902429	1	Set Screw, Soc. Hd., M5x0.8 x 4mm
18	2900887	2	Cap Screw, Soc. Hd., M4 x 35
19	3402011	2	Cap Screw, Soc. Hd., M6 x 16
20	2900554	2	Cap Screw, Soc. Hd., M6-1.0 x 20mm
21	2900243	4	Cap Screw, Soc. Hd., M8-1.25 x 20mm
22	2903249	1	Cap Screw, Soc. Hd., M8 x 80
23	2900666	4	Cap Screw, Soc. Hd., M10 x 80 Low Head
24	2900482	2	Hex Nut, M12-1.75
25	2900544	3	Cap Screw, Hex Hd., M6-1.0 x 12mm
26	2900765	3	Lock Washer, M6 Split
27	2900341	2	Cap Screw, Hex Hd., M6-1.0 x 16mm
28	2901336	4	Flat Washer, M8
29	2704957	1	Ring, Retaining, Int 30mm
30	3401400	2	O-Ring 8.0x2.0 N70
31	3401295	1	Seal, Motor Shaft
32	3400837	1	Seal,CSF40 Sprocket
33	3401418	1	Grip, Handle
34	6048885	1	Rear Handle Assembly
35	3204213	1	Elbow, 1/4" M. Pipe to 1/4" Hose Barb 45°
36	1800169	1	Serial Number Plate, US
37	2901357	3	Flat Washer, M12
38	3401417	1	Screw, Locking
39	3401416	2	O-ring, M2.62 x 66.35
40	2900053	2	Rivet, 3/32" Dia.

12" Chain Saw Bar 6063039



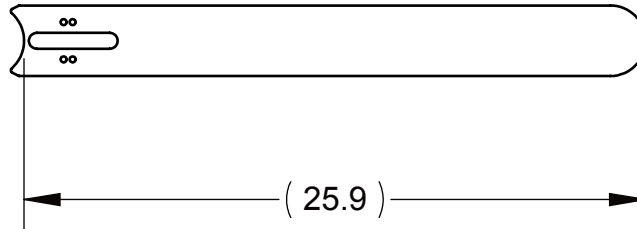
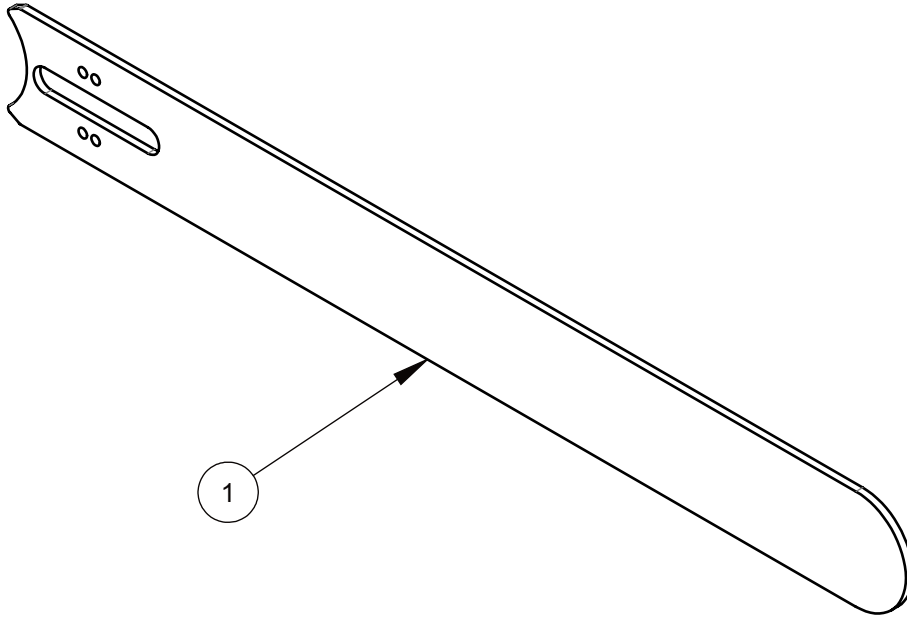
ITEM	PART NO.	QTY.	DESCRIPTION
1	6063039	1	12" Saw Bar

16" Chain Saw Bar 6060261



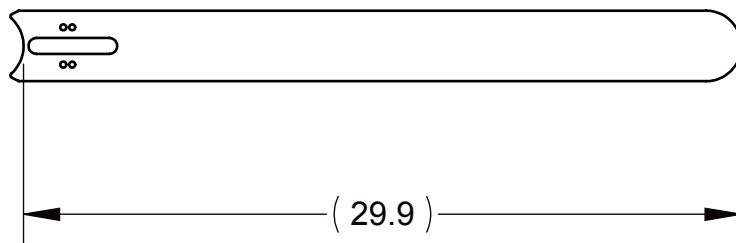
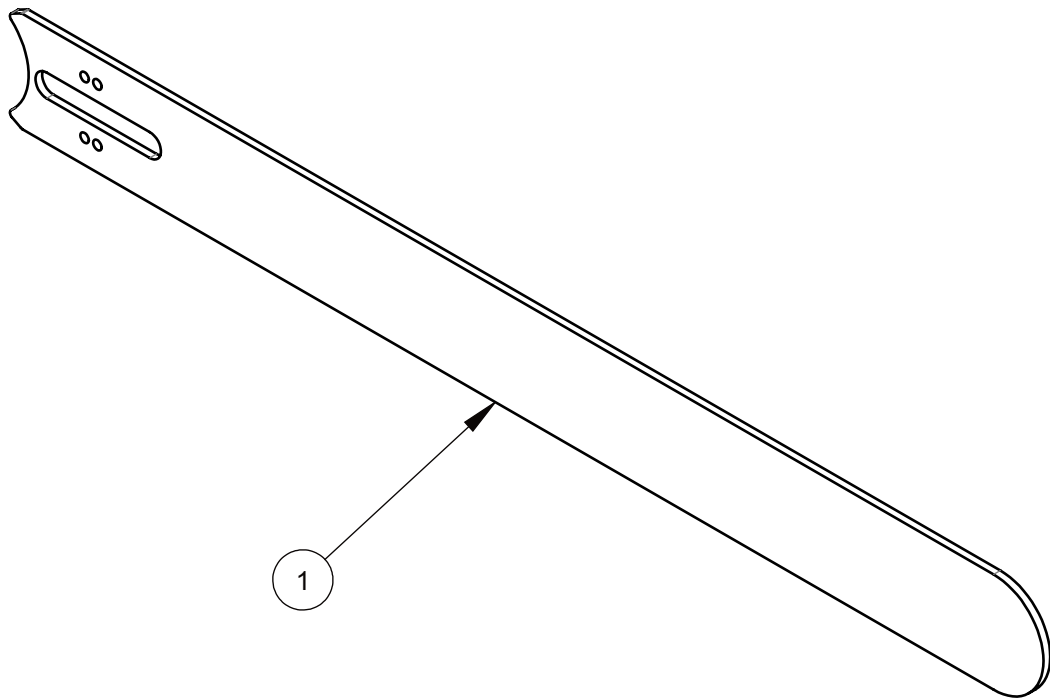
ITEM	PART NO.	QTY.	DESCRIPTION
1	6060261	1	16" Saw Bar

20" Chain Saw Bar 6060260



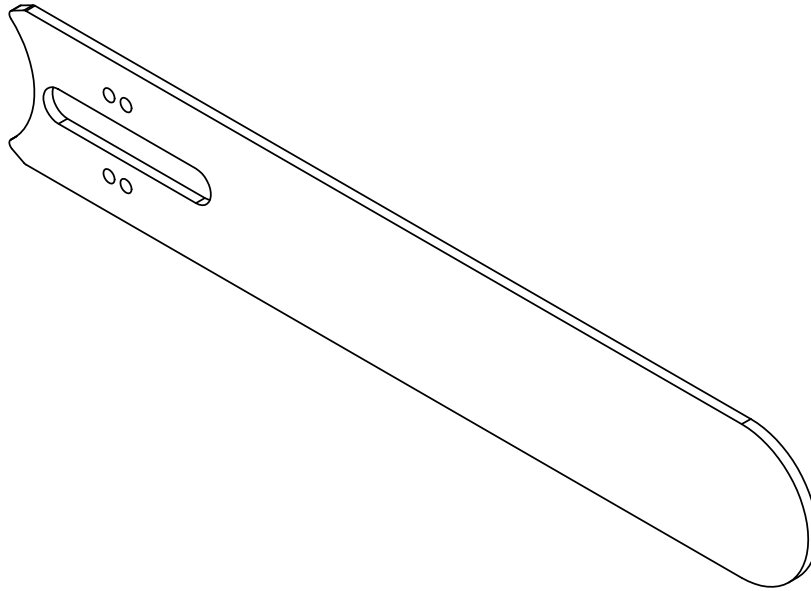
ITEM	PART NO.	QTY.	DESCRIPTION
1	6060260	1	20" Saw Bar

24" Chain Saw Bar 6063038



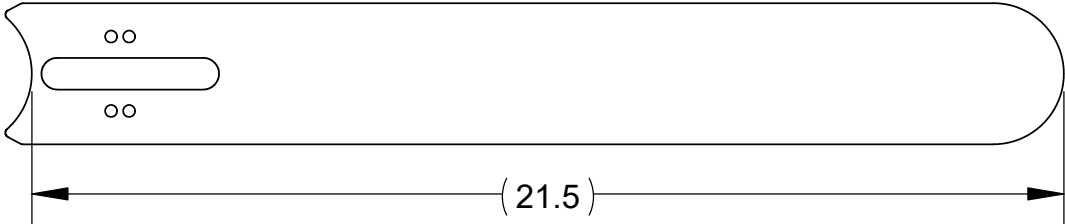
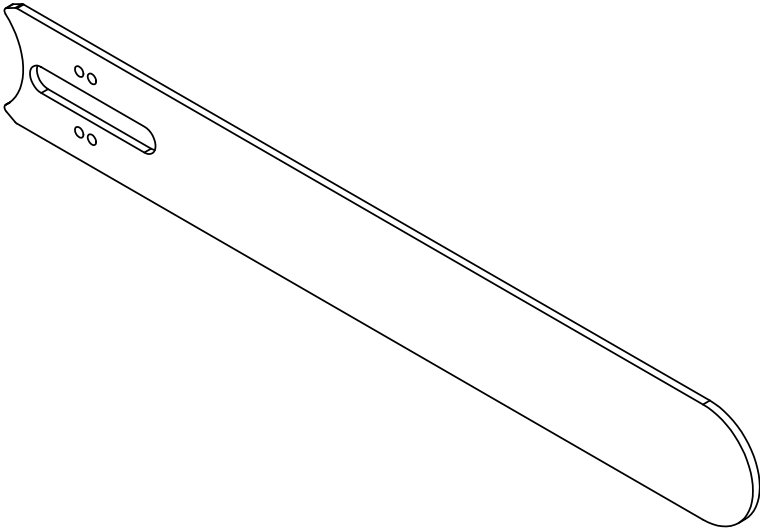
ITEM	PART NO.	QTY.	DESCRIPTION
1	6063038	1	24" Saw Bar

12" Direct Fit Chain Saw Bar, 6049173



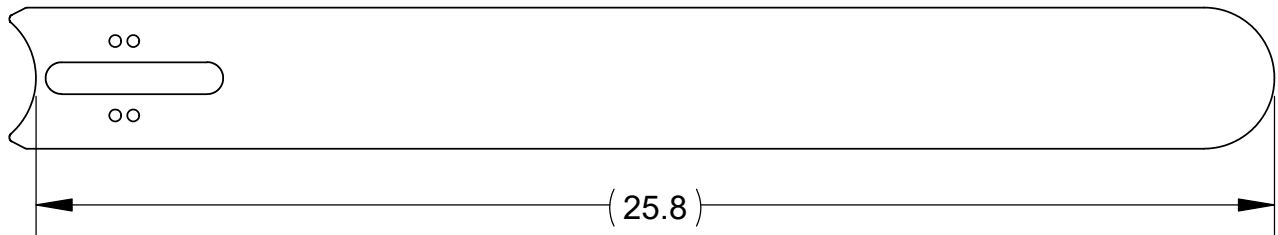
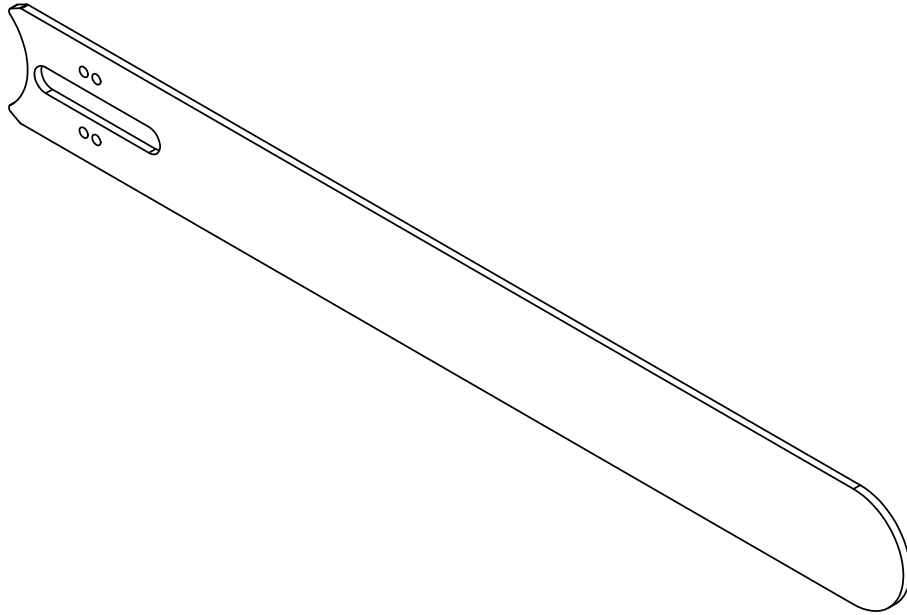
ITEM	PART NO.	QTY.	DESCRIPTION
1	6049173	1	12" Direct Fit Chain Saw Bar

16" Direct Fit Chain Saw Bar, 6049170



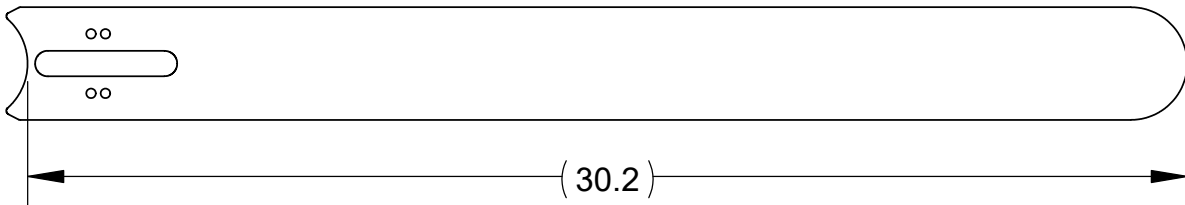
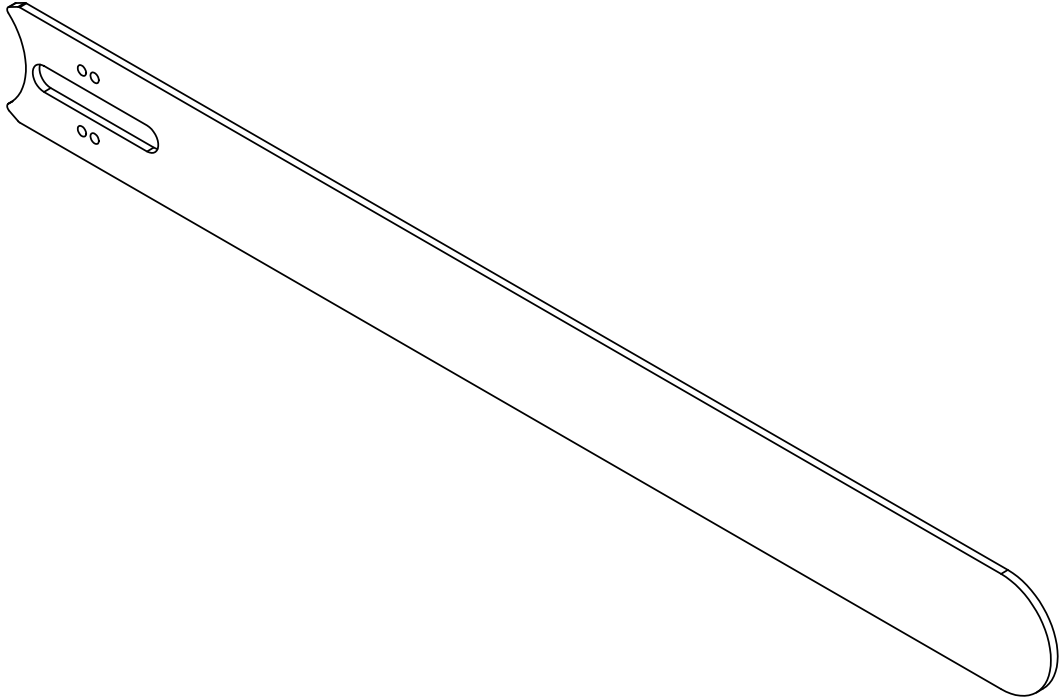
ITEM	PART NO.	QTY.	DESCRIPTION
1	6049170	1	16" Direct Fit Chain Saw Bar

20" Direct Fit Chain Saw Bar, 6049171



ITEM	PART NO.	QTY.	DESCRIPTION
1	6049171	1	20" Direct Fit Chain Saw Bar

25" Direct Fit Chain Saw Bar, 6049172



ITEM	PART NO.	QTY.	DESCRIPTION
1	6049172	1	25" Direct Fit Chain Saw Bar

EQUIPMENT AND PARTS WARRANTY

Diamond Products warrants all equipment manufactured by it against defects in workmanship or materials for a period of one (1) year from the date of shipment to Customer.

The responsibility of Diamond Products under this Warranty is limited to replacement or repair of defective parts at Diamond Products' Elyria, Ohio factory, or at a point designated by it, of such parts as shall appear to us upon inspection at such parts, to have been defective in material or workmanship, with expense for transportation and labor borne by Customer.

In no event shall Diamond Products be liable for consequential or incidental damages arising out of the failure of any Product to operate properly.

Integral units such as engines, electric motors, batteries, transmissions, etc., are excluded from this Warranty and are subject to the prime manufacturer's warranty.

THIS WARRANTY IS IN LIEU OF ALL OTHER WARRANTIES, EXPRESSED OR IMPLIED, AND ALL SUCH OTHER WARRANTIES ARE HEREBY DISCLAIMED.

