



CONCRETE SAW  
PARTS LIST

**MODEL**  
**CC1823BVXLP**  
**(Propane)**

May 2020

Part # 1803561

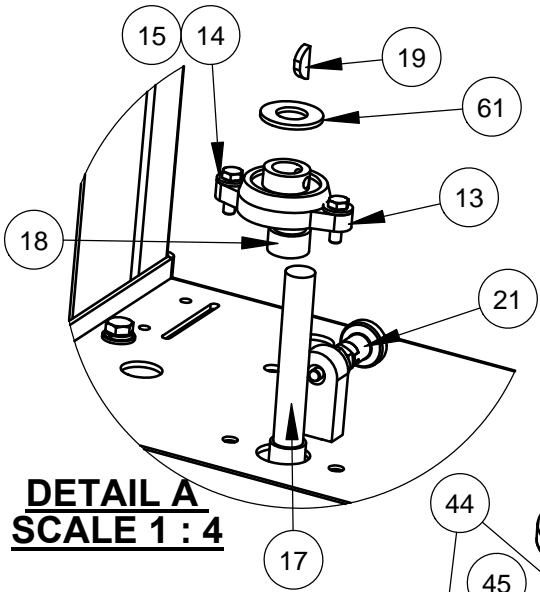
## Quick Reference Service Filters/ Belts

| <u>DP Part No.</u> | <u>Description</u>   | <u>Manufacturer's Part No.</u> |
|--------------------|----------------------|--------------------------------|
| 2501184            | Air Filter           | (Donaldson # P822686)          |
| 2703210            | Oil Filter           | (B&S #842921)                  |
| 2500036            | Blade Shaft Belt (4) | (Gates #3VX355)                |
| 2500632            | Transmission Belt    | (Gates #4L-410)                |

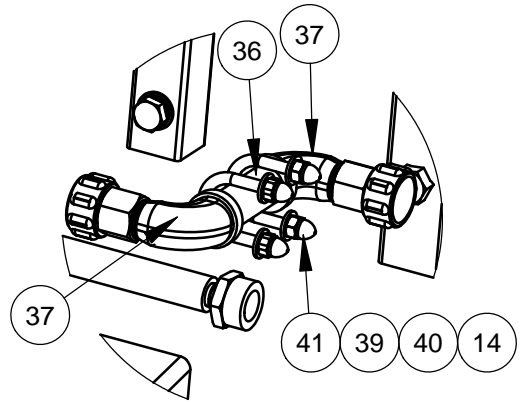
## TABLE OF CONTENTS

| <u>Description</u>                          | <u>Page No.</u> |
|---|-----------------|
| Common Parts.....                           | 4 - 7           |
| Front Axle Assembly .....                   | 8               |
| Rear Axle Assembly .....                    | 9               |
| Transmission Assembly .....                 | 10 - 11         |
| Blade Shaft Assembly.....                   | 12              |
| Pointer Assembly .....                      | 13              |
| Weight Bar.....                             | 14              |
| Battery Assembly.....                       | 15              |
| Engine Assembly, 23HP Briggs-Vanguard ..... | 16-17           |
| Propane Conversion Assembly .....           | 18-19           |
| Propane Conversion Kit.....                 | 20              |
| Propane Regulator Assembly.....             | 21              |
| Tachometer / Hour Meter.....                | 23              |
| Blade Guard 14" .....                       | 24              |
| Blade Guard 20" .....                       | 25              |
| Water Pump Option .....                     | 26              |
| Brake Option.....                           | 27              |
| Wire Schematic .....                        | 28              |
| Decals.....                                 | 29              |
| Notes .....                                 | 30-31           |
| Warranty.....                               | Rear Cover      |

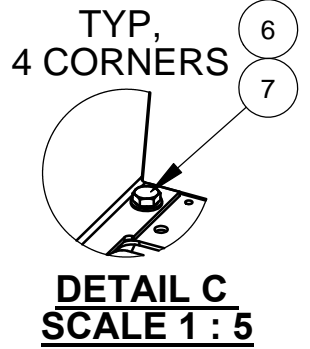
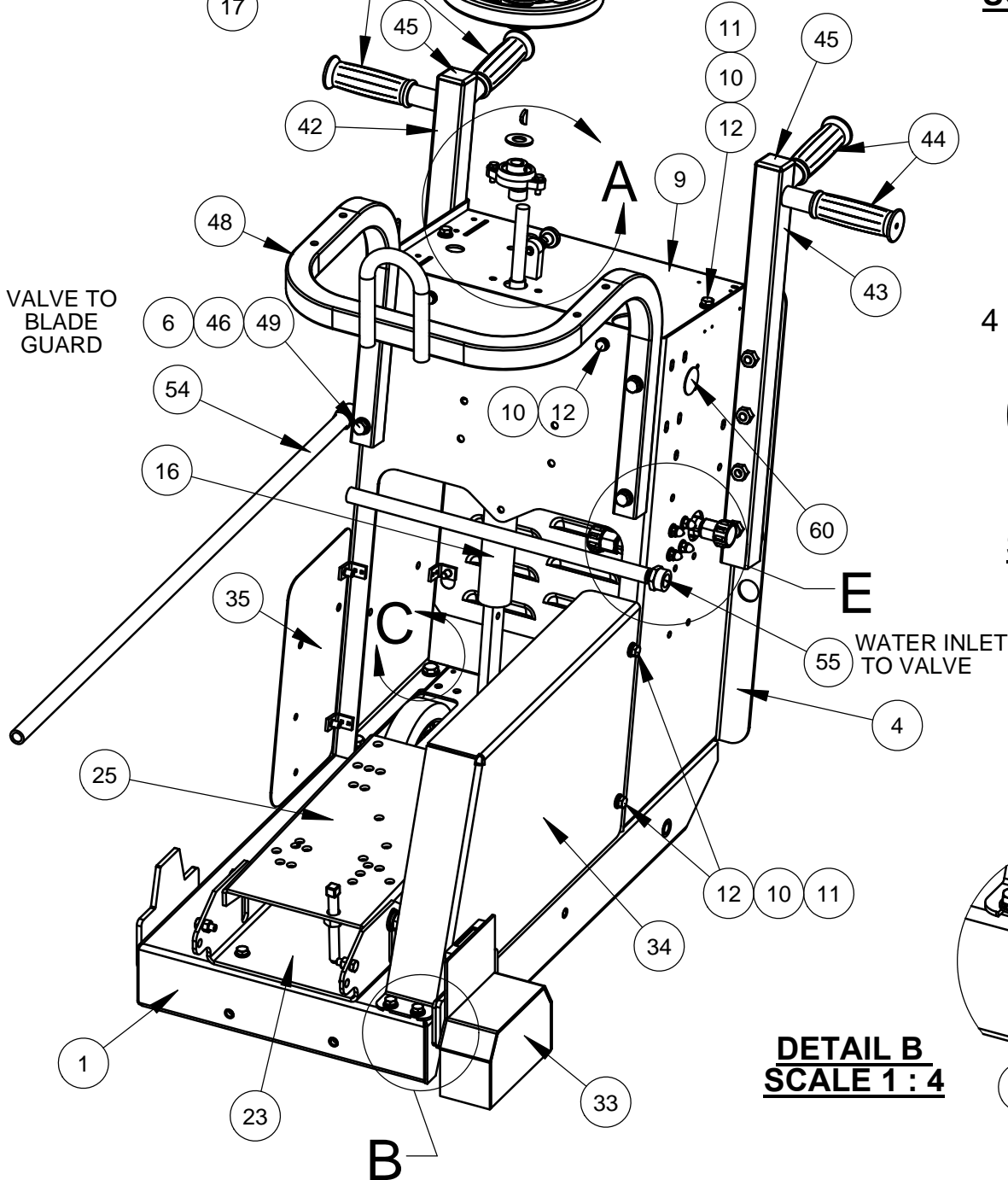
**CC1800 XL, Common Parts #6048960**



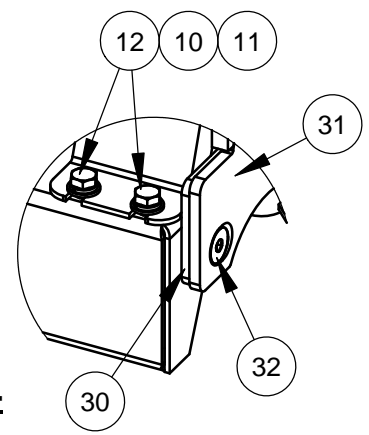
**DETAIL A**  
**SCALE 1 : 4**



**DETAIL E**  
**SCALE 1 : 4**



**DETAIL C**  
**SCALE 1 : 5**

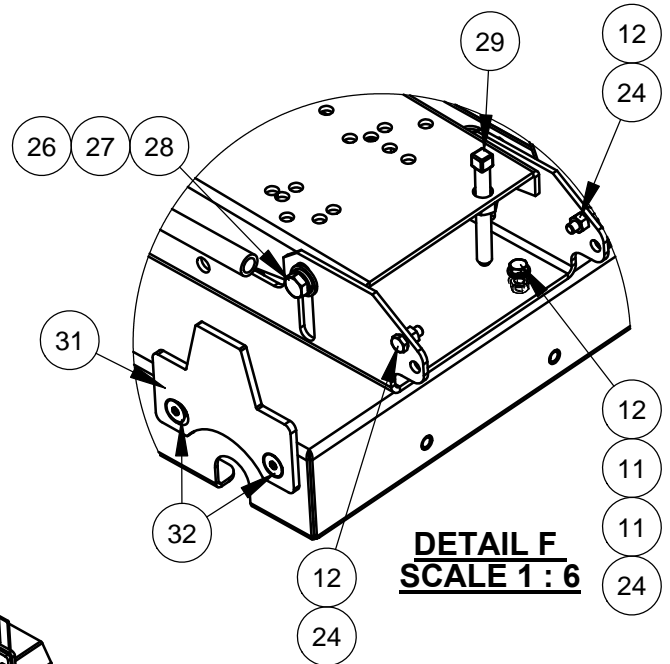
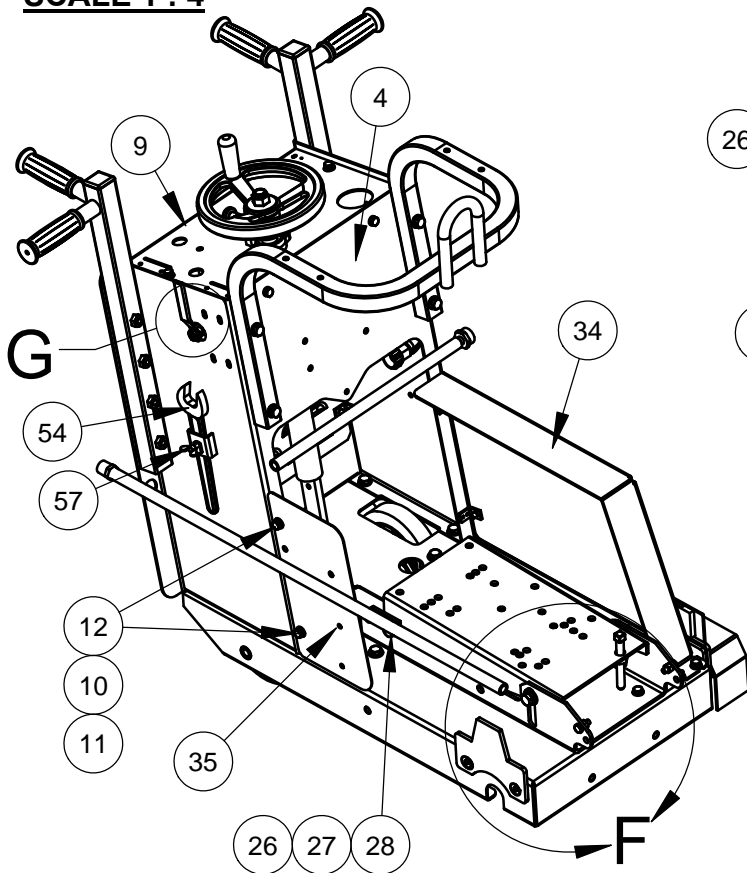
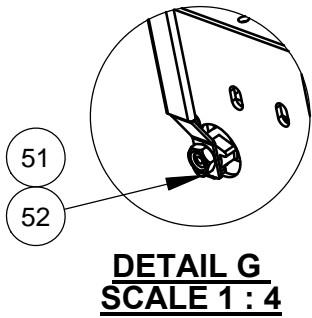
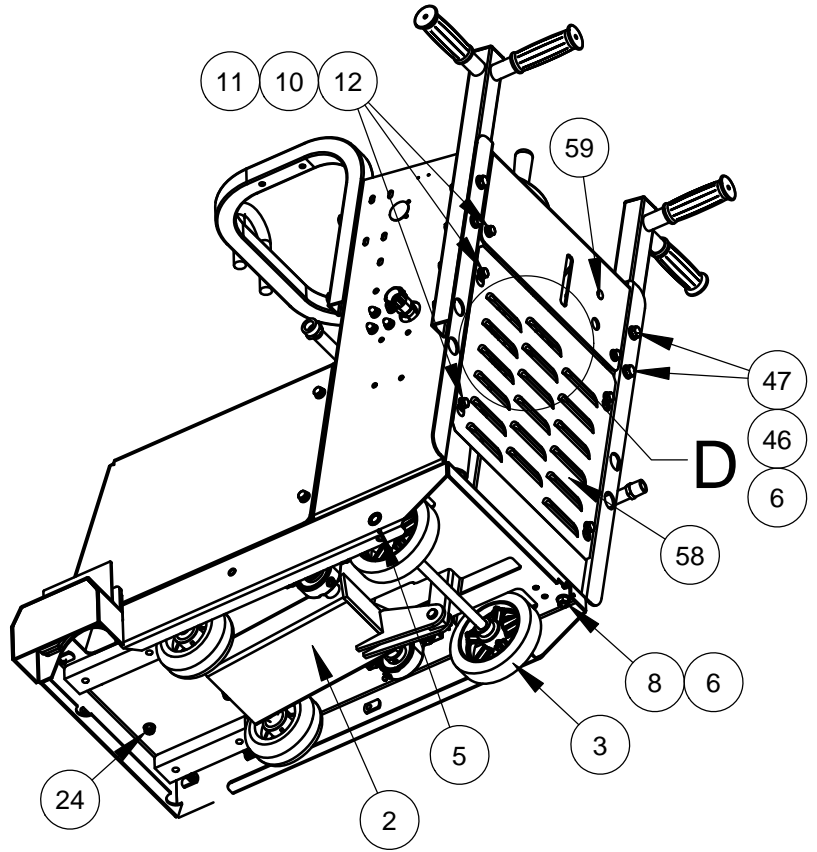
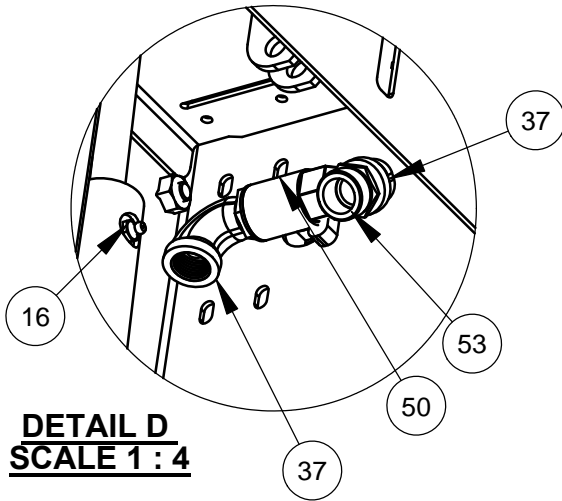


**DETAIL B**  
**SCALE 1 : 4**

**CC1800 XL, Common Parts #6048960**

| ITEM NO. | PART NUMBER | QTY. | DESCRIPTION                             |
|----------|-------------|------|---|
| 1        | 6048859     | 1    | Frame Weldment, CC1800                  |
| 2        | 6048956     | 1    | Axle Assembly                           |
| 3        | 6048104     | 1    | Axle Assembly                           |
| 4        | 6048331     | 1    | Frame Upright Weldment                  |
| 5        | 2900056     | 2    | Set Screw, Soc. Hd., 1/4-20 x 1/4"      |
| 6        | 2900014     | 16   | Flat Washer, 3/8" SAE                   |
| 7        | 2900314     | 4    | Cap Screw, Hex Hd., M10-1.5 x 20mm      |
| 8        | 2900304     | 4    | Lock Nut, M10-1.5 Nylon Insert          |
| 9        | 6049044     | 1    | Control Panel Weldment                  |
| 10       | 2900031     | 16   | Lock Washer, 5/16" Split                |
| 11       | 2900022     | 26   | Flat Washer, 5/16" SAE                  |
| 12       | 2900329     | 24   | Cap Screw, Hex Hd., M8-1.25 x 20mm      |
| 13       | 2500807     | 1    | Bearing, 5/8", Two Bolt Flange          |
| 14       | 2900009     | 6    | Flat Washer, 1/4" SAE                   |
| 15       | 2900310     | 2    | Cap Screw, Hex Hd., M6-1.0 x 20mm       |
| 16       | 6047928     | 1    | Adjustment Shaft W/Grease Fitting       |
| 17       | 6047929     | 1    | Adjustment Screw                        |
| 18       | 6047931     | 1    | Spacer Tube 7/8 x 1/2                   |
| 19       | 2900352     | 1    | Woodruff Key, 5/32 x 3/4, #506          |
| 20       | 2500800     | 1    | Handwheel, 8"                           |
| 21       | 2400138     | 1    | Indexing Plunger 1/2-13                 |
| 22       | 2900355     | 1    | Lock Nut, 5/8-18, Flex Top              |
| 23       | 6048060     | 1    | Engine Base Mount                       |
| 24       | 2900303     | 8    | Lock Nut, M8-1.25 Nylon Insert          |
| 25       | 6048059     | 1    | Engine Base Weldment                    |
| 26       | 2900058     | 4    | Flat Washer, 1/2" SAE                   |
| 27       | 2900084     | 4    | Lock Washer, 1/2" Split                 |
| 28       | 2900330     | 4    | Cap Screw, Hex Hd., M12-1.75 x 30mm     |
| 29       | 2900332     | 1    | Setscrew, Sq. Hd., M12 x 100mm          |
| 30       | 6048915     | 1    | Tapered Guard Mount Spacer              |
| 31       | 6048908     | 2    | Tapered Guard Mount                     |
| 32       | 2900744     | 4    | Capscrew, Flat Hd., M10 x 25mm          |
| 33       | 6048906     | 1    | Shaft Guard                             |
| 34       | 6048329     | 1    | Belt Guard                              |
| 35       | 6048328     | 1    | Slurry Shield                           |
| 36       | 3201737     | 1    | 1/2" NPT x 3", Nipple                   |
| 37       | 3200013     | 4    | Street Elbow, 1/2" NPT                  |
| 38       | 3200022     | 2    | Fitting, 1/2" F. Pipe to 3/4" F. Garden |
| 39       | 2900241     | 2    | U-Bolt, 3/4" Pipe                       |
| 40       | 2900125     | 4    | Hex Nut, 1/4-20                         |
| 41       | 2900827     | 4    | Acorn Nut, High Crown, 1/4-20           |
| 42       | 6048601     | 1    | Handlebar                               |
| 43       | 6048602     | 1    | Handlebar                               |
| 44       | 2500636     | 4    | Handle Grip                             |
| 45       | 2503925     | 2    | Cap, 1-1/2" Sq. Tube                    |
| 46       | 2900321     | 8    | Lock Washer, M10 Split                  |
| 47       | 2901348     | 4    | Cap Screw, Hex Hd., M10 x 55mm          |
| 48       | 6048632     | 1    | Lift Bar Assembly                       |
| 49       | 2900318     | 4    | Cap Screw, Hex Hd., M10-1.5 x 50mm      |
| 50       | 3200026     | 1    | Water Valve, 1/2" FPT                   |
| 51       | 2900038     | 2    | Lock Washer, #10 Split                  |
| 52       | 2900021     | 2    | Machine Screw, Pan Hd., #10-24 x 3/8"   |
| 53       | 3200155     | 1    | Fitting, 1/2" M. Pipe to 3/4" M. Garden |
| 54       | 2500256     | 1    | Wrench Head                             |
| 55       | 6048919     | 1    | Hose Assy., 1/2 x 35.6", Water          |
| 56       | 6048918     | 1    | Hose Assy., 1/2 x 18-1/2", Water        |
| 57       | 2900307     | 1    | Wing Screw, M6 x 16mm                   |
| 58       | 6048063     | 1    | Rear Cover Screen                       |
| 59       | 2500204     | 1    | Plug, 1/2" Hole                         |
| 60       | 2501146     | 1    | Plug, 1-1/4" Hole                       |
| 61       | 2900002     | 1    | Flat Washer, 5/8" SAE                   |

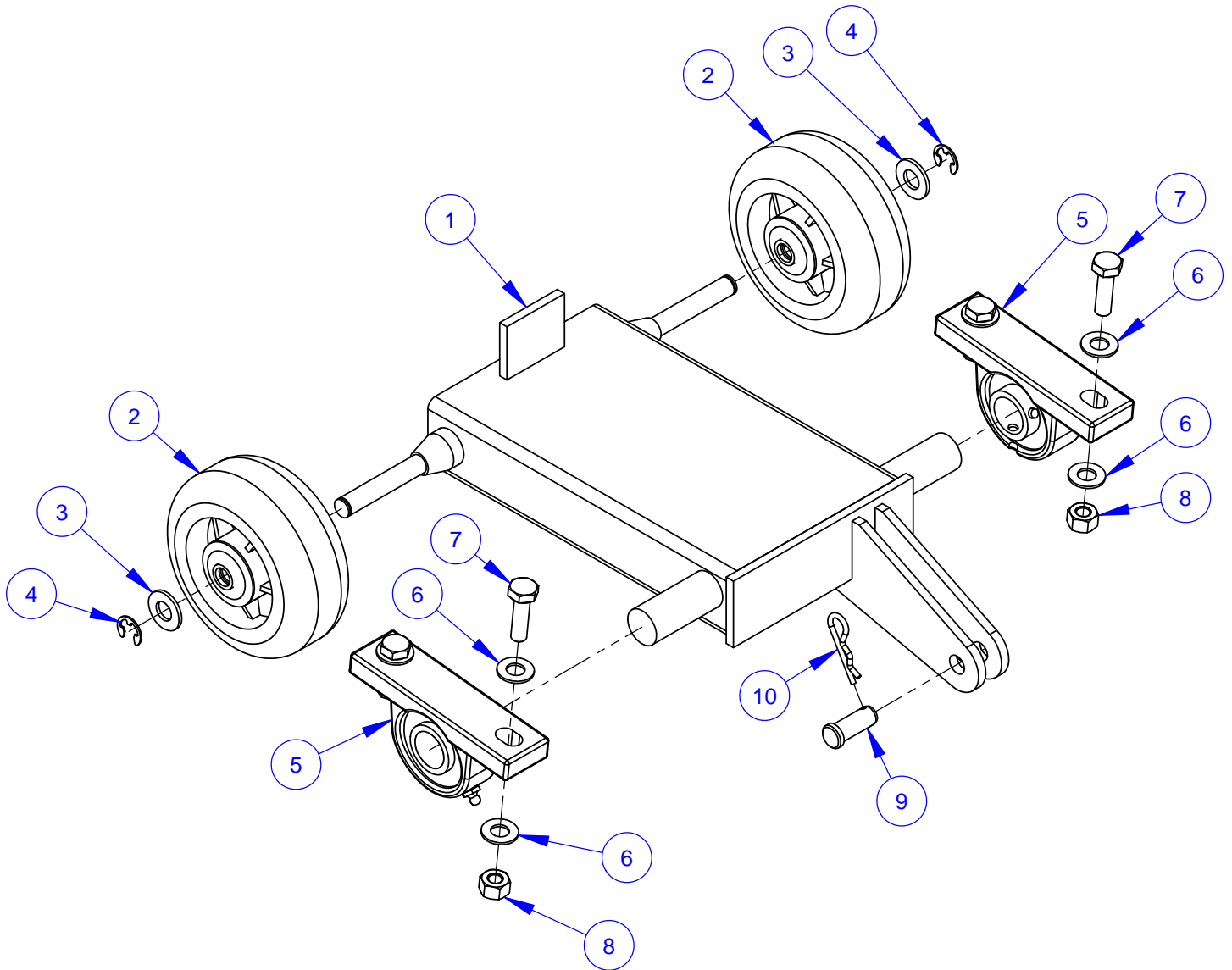
**CC1800 XL, Common Parts #6048960**



**CC1800 XL, Common Parts #6048960**

| ITEM NO. | PART NUMBER | QTY. | DESCRIPTION                             |
|----------|-------------|------|---|
| 1        | 6048859     | 1    | Frame Weldment, CC1800                  |
| 2        | 6048956     | 1    | Axle Assembly                           |
| 3        | 6048104     | 1    | Axle Assembly                           |
| 4        | 6048331     | 1    | Frame Upright Weldment                  |
| 5        | 2900056     | 2    | Set Screw, Soc. Hd., 1/4-20 x 1/4"      |
| 6        | 2900014     | 16   | Flat Washer, 3/8" SAE                   |
| 7        | 2900314     | 4    | Cap Screw, Hex Hd., M10-1.5 x 20mm      |
| 8        | 2900304     | 4    | Lock Nut, M10-1.5 Nylon Insert          |
| 9        | 6049044     | 1    | Control Panel Weldment                  |
| 10       | 2900031     | 16   | Lock Washer, 5/16" Split                |
| 11       | 2900022     | 26   | Flat Washer, 5/16" SAE                  |
| 12       | 2900329     | 24   | Cap Screw, Hex Hd., M8-1.25 x 20mm      |
| 13       | 2500807     | 1    | Bearing, 5/8", Two Bolt Flange          |
| 14       | 2900009     | 6    | Flat Washer, 1/4" SAE                   |
| 15       | 2900310     | 2    | Cap Screw, Hex Hd., M6-1.0 x 20mm       |
| 16       | 6047928     | 1    | Adjustment Shaft W/Grease Fitting       |
| 17       | 6047929     | 1    | Adjustment Screw                        |
| 18       | 6047931     | 1    | Spacer Tube 7/8 x 1/2                   |
| 19       | 2900352     | 1    | Woodruff Key, 5/32 x 3/4, #506          |
| 20       | 2500800     | 1    | Handwheel, 8"                           |
| 21       | 2400138     | 1    | Indexing Plunger 1/2-13                 |
| 22       | 2900355     | 1    | Lock Nut, 5/8-18, Flex Top              |
| 23       | 6048060     | 1    | Engine Base Mount                       |
| 24       | 2900303     | 8    | Lock Nut, M8-1.25 Nylon Insert          |
| 25       | 6048059     | 1    | Engine Base Weldment                    |
| 26       | 2900058     | 4    | Flat Washer, 1/2" SAE                   |
| 27       | 2900084     | 4    | Lock Washer, 1/2" Split                 |
| 28       | 2900330     | 4    | Cap Screw, Hex Hd., M12-1.75 x 30mm     |
| 29       | 2900332     | 1    | Setscrew, Sq. Hd., M12 x 100mm          |
| 30       | 6048915     | 1    | Tapered Guard Mount Spacer              |
| 31       | 6048908     | 2    | Tapered Guard Mount                     |
| 32       | 2900744     | 4    | Capscrew, Flat Hd., M10 x 25mm          |
| 33       | 6048906     | 1    | Shaft Guard                             |
| 34       | 6048329     | 1    | Belt Guard                              |
| 35       | 6048328     | 1    | Slurry Shield                           |
| 36       | 3201737     | 1    | 1/2" NPT x 3", Nipple                   |
| 37       | 3200013     | 4    | Street Elbow, 1/2" NPT                  |
| 38       | 3200022     | 2    | Fitting, 1/2" F. Pipe to 3/4" F. Garden |
| 39       | 2900241     | 2    | U-Bolt, 3/4" Pipe                       |
| 40       | 2900125     | 4    | Hex Nut, 1/4-20                         |
| 41       | 2900827     | 4    | Acorn Nut, High Crown, 1/4-20           |
| 42       | 6048601     | 1    | Handlebar                               |
| 43       | 6048602     | 1    | Handlebar                               |
| 44       | 2500636     | 4    | Handle Grip                             |
| 45       | 2503925     | 2    | Cap, 1-1/2" Sq. Tube                    |
| 46       | 2900321     | 8    | Lock Washer, M10 Split                  |
| 47       | 2901348     | 4    | Cap Screw, Hex Hd., M10 x 55mm          |
| 48       | 6048632     | 1    | Lift Bar Assembly                       |
| 49       | 2900318     | 4    | Cap Screw, Hex Hd., M10-1.5 x 50mm      |
| 50       | 3200026     | 1    | Water Valve, 1/2" FPT                   |
| 51       | 2900038     | 2    | Lock Washer, #10 Split                  |
| 52       | 2900021     | 2    | Machine Screw, Pan Hd., #10-24 x 3/8"   |
| 53       | 3200155     | 1    | Fitting, 1/2" M. Pipe to 3/4" M. Garden |
| 54       | 2500256     | 1    | Wrench Head                             |
| 55       | 6048919     | 1    | Hose Assy., 1/2 x 35.6", Water          |
| 56       | 6048918     | 1    | Hose Assy., 1/2 x 18-1/2", Water        |
| 57       | 2900307     | 1    | Wing Screw, M6 x 16mm                   |
| 58       | 6048063     | 1    | Rear Cover Screen                       |
| 59       | 2500204     | 1    | Plug, 1/2" Hole                         |
| 60       | 2501146     | 1    | Plug, 1-1/4" Hole                       |
| 61       | 2900002     | 1    | Flat Washer, 5/8" SAE                   |

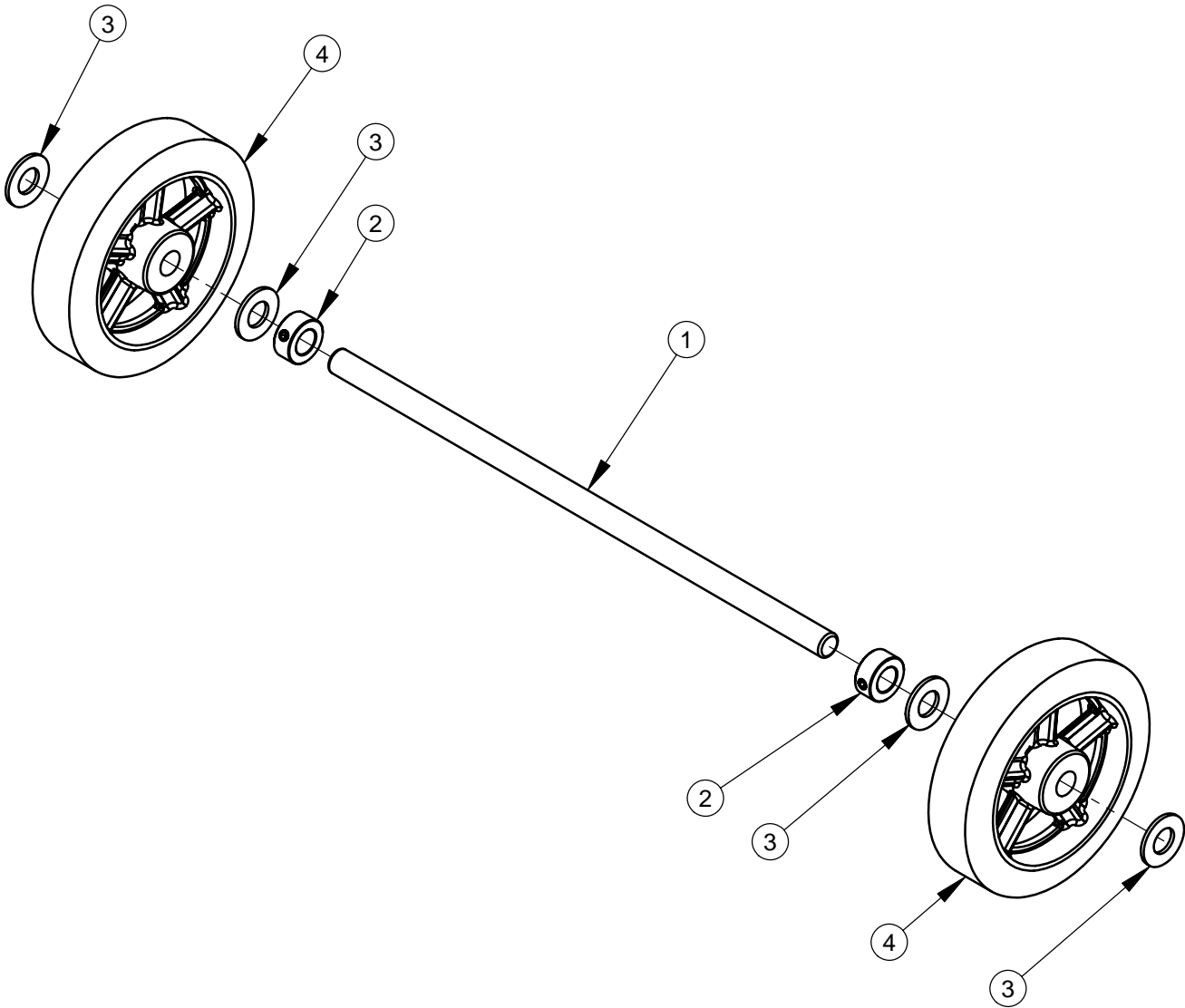
## Front Axle Assembly #6048956



| ITEM | PART NO. | QTY. | DESCRIPTION                          |
|------|----------|------|--------------------------------------|
| 1    | 6048635  | 1    | Axle Weldment                        |
| 2    | 2502194  | 2    | Wheel                                |
| 3    | 2900058  | 2    | Flat Washer, 1/2" SAE                |
| 4    | 2503700  | 2    | Retaining Ring, 1/2" External E-Type |
| 5    | 2500013  | 2    | Bearing, 1" Pillowblock              |
| 6    | 2900956  | 8    | Flat Washer, 7/16" SAE               |
| 7    | 2900315  | 4    | Cap Screw, Hex Hd., M10-1.5 x 35mm   |
| 8    | 2900304  | 4    | Lock Nut, M10-1.5 Nylon Insert       |
| 9    | 2900266  | 1    | Clevis Pin, 1/2" x 1-1/4"            |
| 10   | 2900276  | 1    | Hairpin Cotter                       |

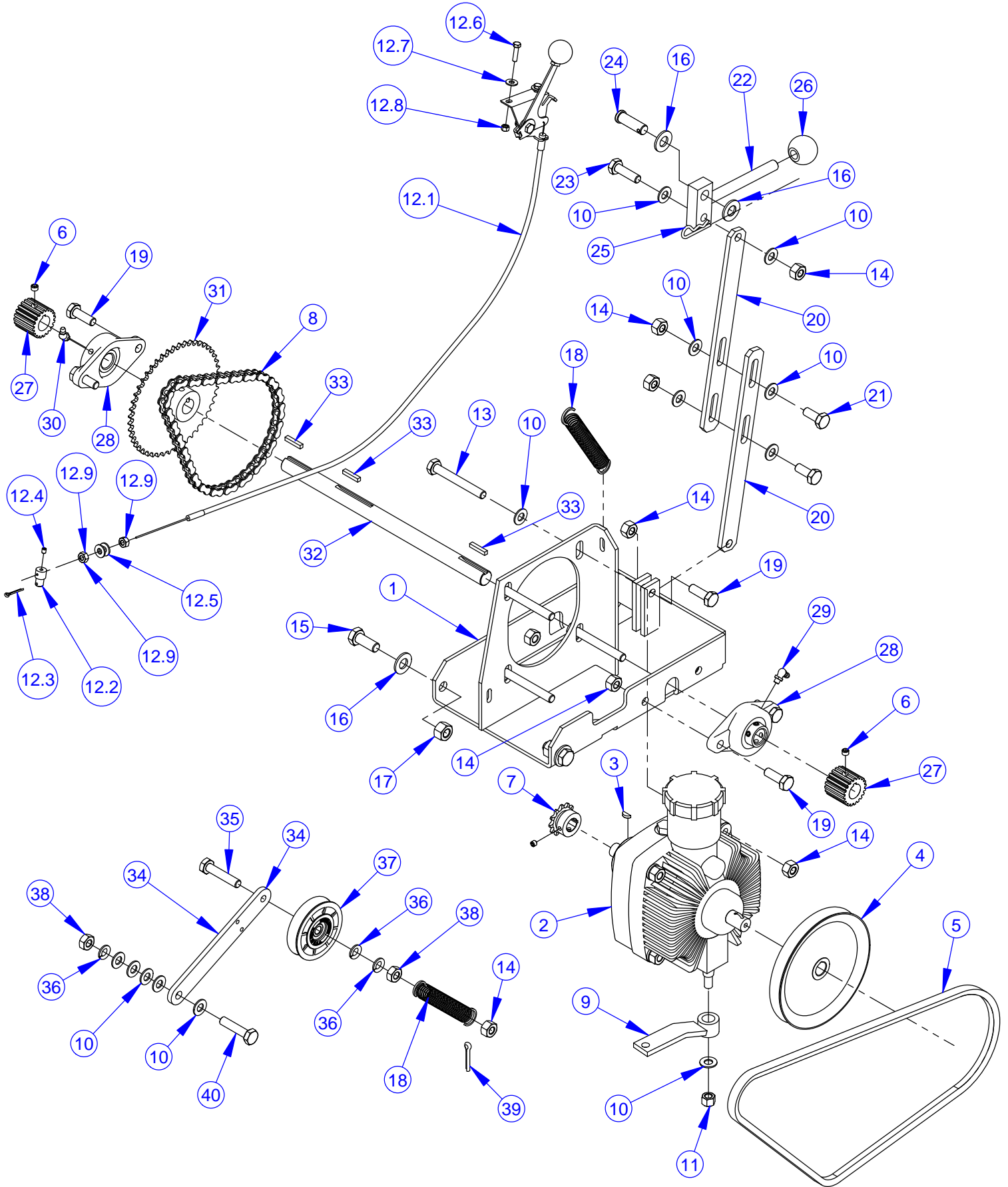


**Rear Axle Assembly #6048104**



| ITEM | PART NO. | QTY. | DESCRIPTION                     |
|------|----------|------|---------------------------------|
| 1    | 6048105  | 1    | Rear Axle                       |
| 2    | 2500008  | 2    | Set Collar, 5/8" with Set Screw |
| 3    | 2900002  | 4    | Flat Washer, 5/8" SAE           |
| 4    | 2500003  | 2    | Wheel 6" x 1-1/2" x 5/8"        |

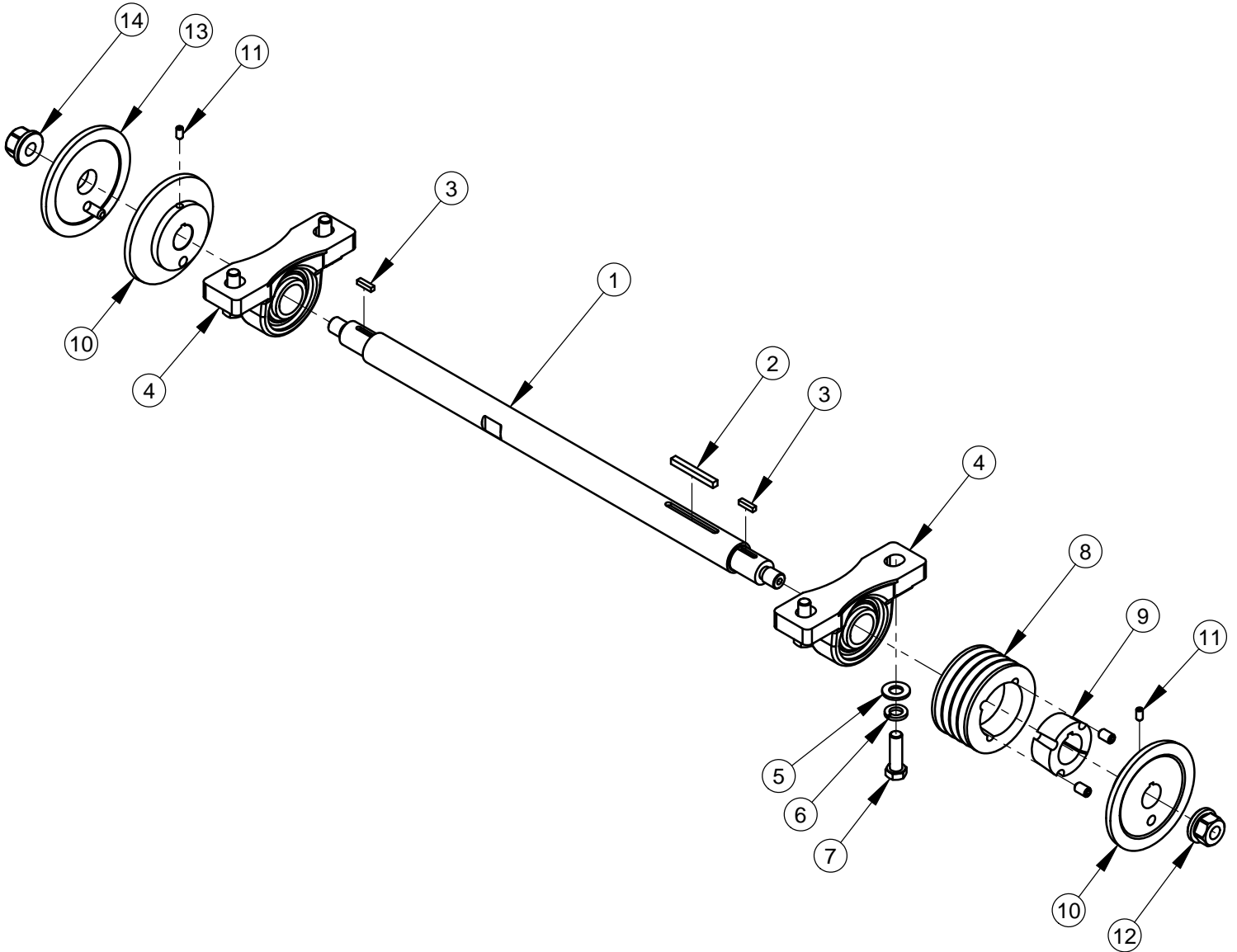
# Transmission Assembly #6048108



## Transmission Assembly #6048108

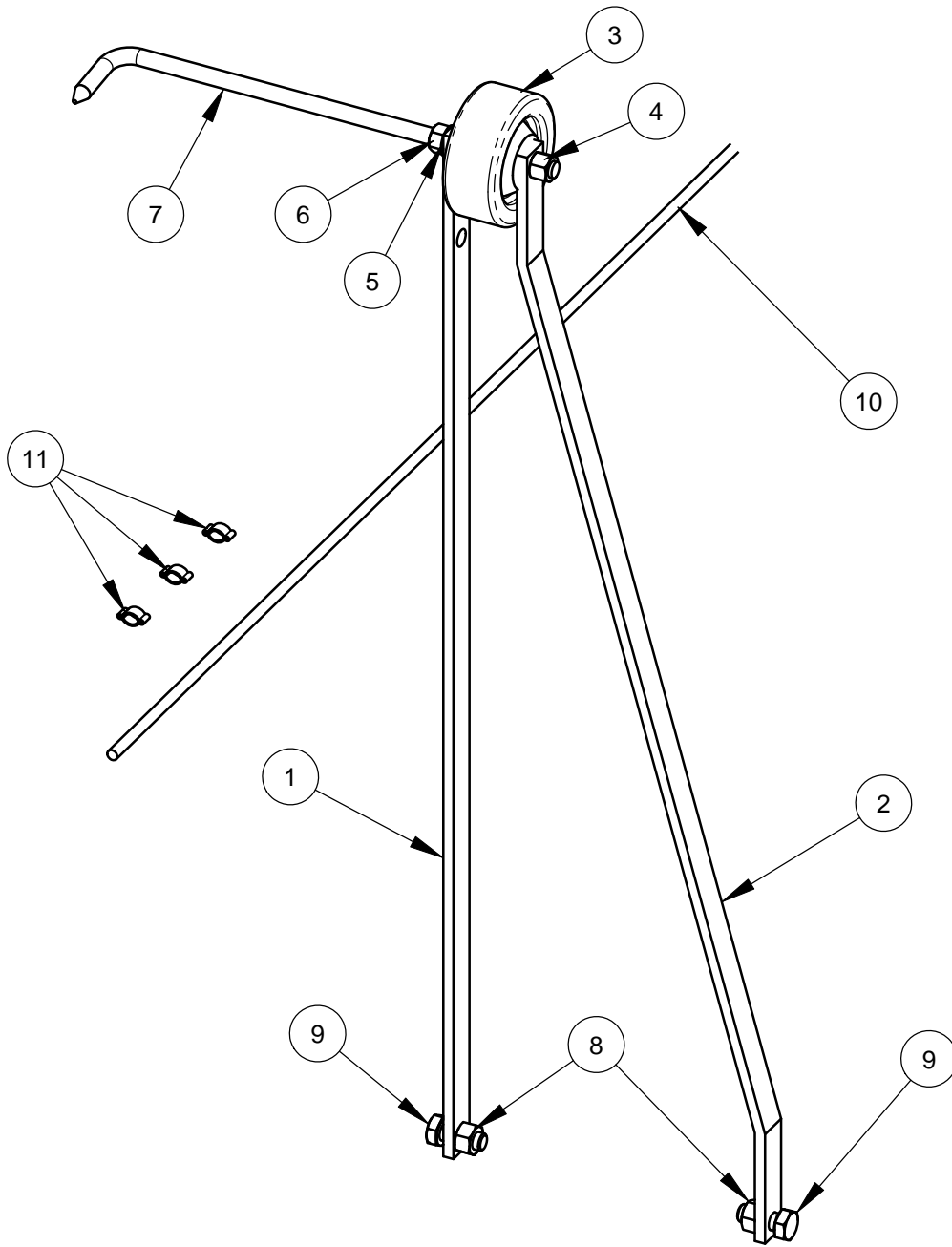
| ITEM | PART NO.                      | QTY. | DESCRIPTION  |
|------|-------------------------------|------|--|
| 1    | 6048066                       | 1    | Transmission Platform Weldment   |
| 2    | 2600015                       | 1    | Eaton 6 Transmission   |
| 3    | 2900068                       | 2    | Woodruff Key #404, 1/8" W x 1/2" Dia.  |
| 4    | 2500016                       | 1    | Pulley, 6"   |
| 5    | 2500632<br>2500635<br>2500033 | 1    | V-Belt, 4L-410 (16BV, 20BV, 20H)<br>V-Belt, 4L-420 (7.5E, 10E)<br>V-Belt, 4L-430 (13BV, 13H) |
| 6    | 2900036                       | 2    | Set Screw, Soc. Hd., 5/16-18 x 1/4"  |
| 7    | 2500017                       | 1    | Sprocket, 12 Teeth W/ 1/4 Setscrew   |
| 8    | 6048232                       | 1    | Chain, #35 x 63 Pitch  |
| 9    | 6048211                       | 1    | Shift Lever  |
| 10   | 2900014                       | 16   | Flat Washer, 3/8" SAE  |
| 11   | 2900018                       | 1    | Locknut, 3/8-16, Nylon   |
| 12   | 6048106                       | 1    | Transmission Speed Control Assembly  |
| 12.1 | 2500076                       | 1    | Transmission Speed Control Lever w/ Cable  |
| 12.2 | 6048212                       | 1    | Pivot Pin  |
| 12.3 | 2900034                       | 1    | Cotter Pin, 3/32" x 3/4"   |
| 12.4 | 2900059                       | 1    | Set Screw, Soc. Hd., #10-32 x 1/4"   |
| 12.5 | 2900009                       | 2    | Flat Washer, 1/4" SAE  |
| 12.6 | 2900309                       | 2    | Cap Screw, Hex Hd., M5-0.8 x 20mm  |
| 12.7 | 2900016                       | 2    | Flat Washer, #10 USS   |
| 12.8 | 2900301                       | 2    | Lock Nut, M5-0.8 Nylon Insert  |
| 12.9 | 2900186                       | 2    | Hex Nut, 1/4-28  |
| 13   | 2900319                       | 4    | Cap Screw, Hex Hd., M10-1.5 x 80mm   |
| 14   | 2900304                       | 13   | Lock Nut, M10-1.5 Nylon Insert   |
| 15   | 2900330                       | 2    | Cap Screw, Hex Hd., M12-1.75 x 30mm  |
| 16   | 2900058                       | 4    | Flat Washer, 1/2" SAE  |
| 17   | 2900327                       | 2    | Lock Nut, M12-1.75 Nylon Insert  |
| 18   | 2500070                       | 2    | Spring, Extension, 3/4 Dia x 4   |
| 19   | 2900223                       | 5    | Cap Screw, Hex Hd., M10-1.5 x 30mm   |
| 20   | 6049075                       | 2    | Linkage  |
| 21   | 2900333                       | 2    | Cap Screw, Hex Hd., M10-1.5 x 25mm   |
| 22   | 6048057                       | 1    | Engagement Lever   |
| 23   | 2900315                       | 1    | Cap Screw, Hex Hd., M10-1.5 x 35mm   |
| 24   | 2900277                       | 1    | Clevis Pin, 1/2" x 1-1/2"  |
| 25   | 2900276                       | 1    | Hairpin Cotter   |
| 26   | 2400007                       | 1    | Knob, 1/2-20 x 1-3/8" Dia.   |
| 27   | 6048235                       | 2    | Wheel Drive  |
| 28   | 2500011                       | 2    | Flange Mt. Bearing 3/4"  |
| 29   | 2900061                       | 1    | Grease Fitting, 1/4-28 x 90 Degree   |
| 30   | 2900184                       | 1    | Grease Fitting, 1/4-28 x 45 degree   |
| 31   | 2500018                       | 1    | Sprocket, 48 Teeth w/ Setscrews  |
| 32   | 6048228                       | 1    | Drive Shaft  |
| 33   | 6010170                       | 3    | Key, 3/16" Sq. x 1"  |
| 34   | 6048085                       | 1    | Idler Arm  |
| 35   | 2900337                       | 1    | Cap Screw, Hex Hd., M10-1.5 x 50mm, Full Thd.  |
| 36   | 2900321                       | 3    | Lock Washer, M10 Split   |
| 37   | 2500074                       | 1    | Idler Pulley 3"  |
| 38   | 2900325                       | 2    | Hex Nut, M10-1.5   |
| 39   | 2900055                       | 1    | Cotter Pin, 3/16" x 1"   |
| 40   | 2900317                       | 1    | Cap Screw, Hex Hd., M10-1.5 x 45mm   |

## Blade Shaft Assembly 23HP Briggs Vanguard #6040503



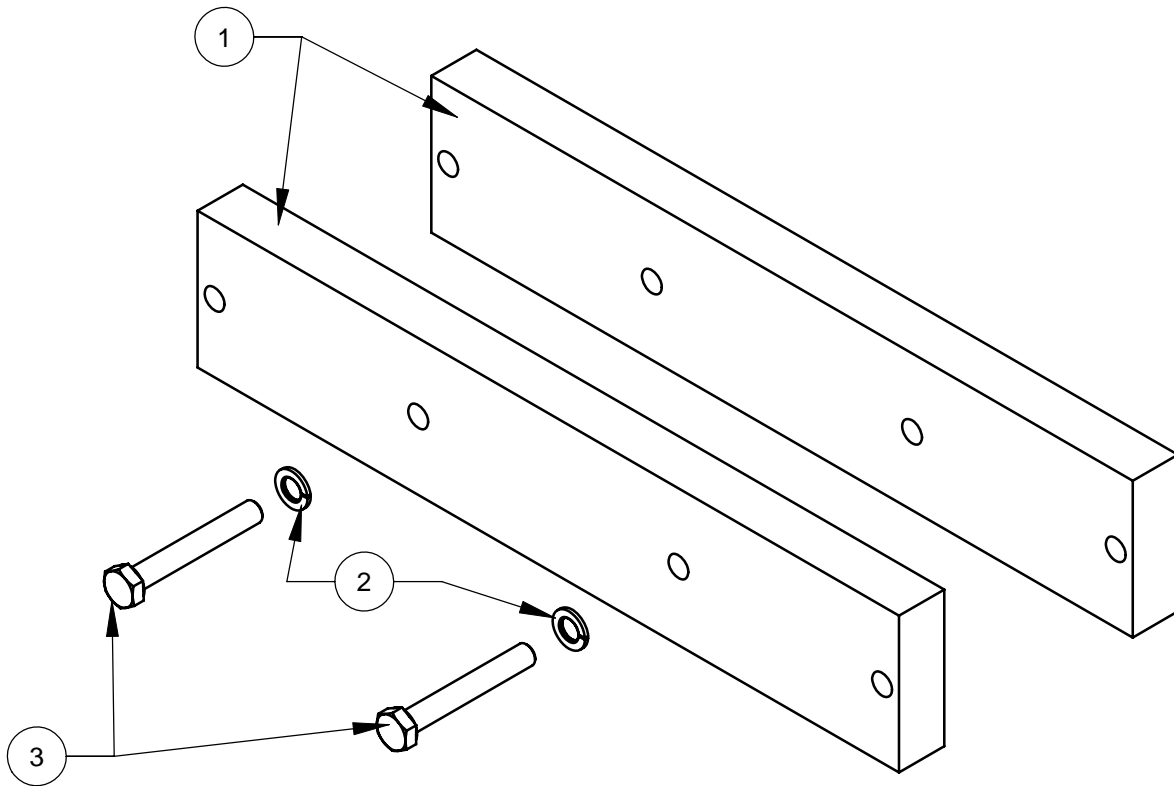
| ITEM | PART NO. | QTY. | DESCRIPTION                         |
|------|----------|------|-------------------------------------|
| 1    | 6048865  | 1    | Blade Shaft                         |
| 2    | 6048134  | 1    | Key, 1/4" Sq. x 2-1/4"              |
| 3    | 6048018  | 2    | Key, 3/16" Sq. x 3/4"               |
| 4    | 2500365  | 2    | Pillow Block Bearing, 1-1/4"        |
| 5    | 2900058  | 4    | Flat Washer, 1/2" SAE               |
| 6    | 2900084  | 4    | Lock Washer, 1/2" Split             |
| 7    | 2900331  | 4    | Cap Screw, Hex Hd., M12-1.75 x 40mm |
| 8    | 2500621  | 1    | Sheave, 3V-3.65-4 Groove (1610)     |
| 9    | 2500337  | 1    | Taper Bushing, 1-1/4"               |
| 10   | 6048008  | 2    | Inner Flange 4-1/2"                 |
| 11   | 2900076  | 2    | Set Screw, Soc. Hd., 1/4-20 x 1/2"  |
| 12   | 2900065  | 1    | Flange Nut, 5/8-11 R.H.             |
| 13   | 6048009  | 1    | Outer Flange, 4-1/2" w/ Pin         |
| 14   | 2900066  | 1    | Flange Nut, 5/8-11, L. Hand         |

**Front Pointer Assembly 23HP**  
**Briggs-Vanguard #6047994**



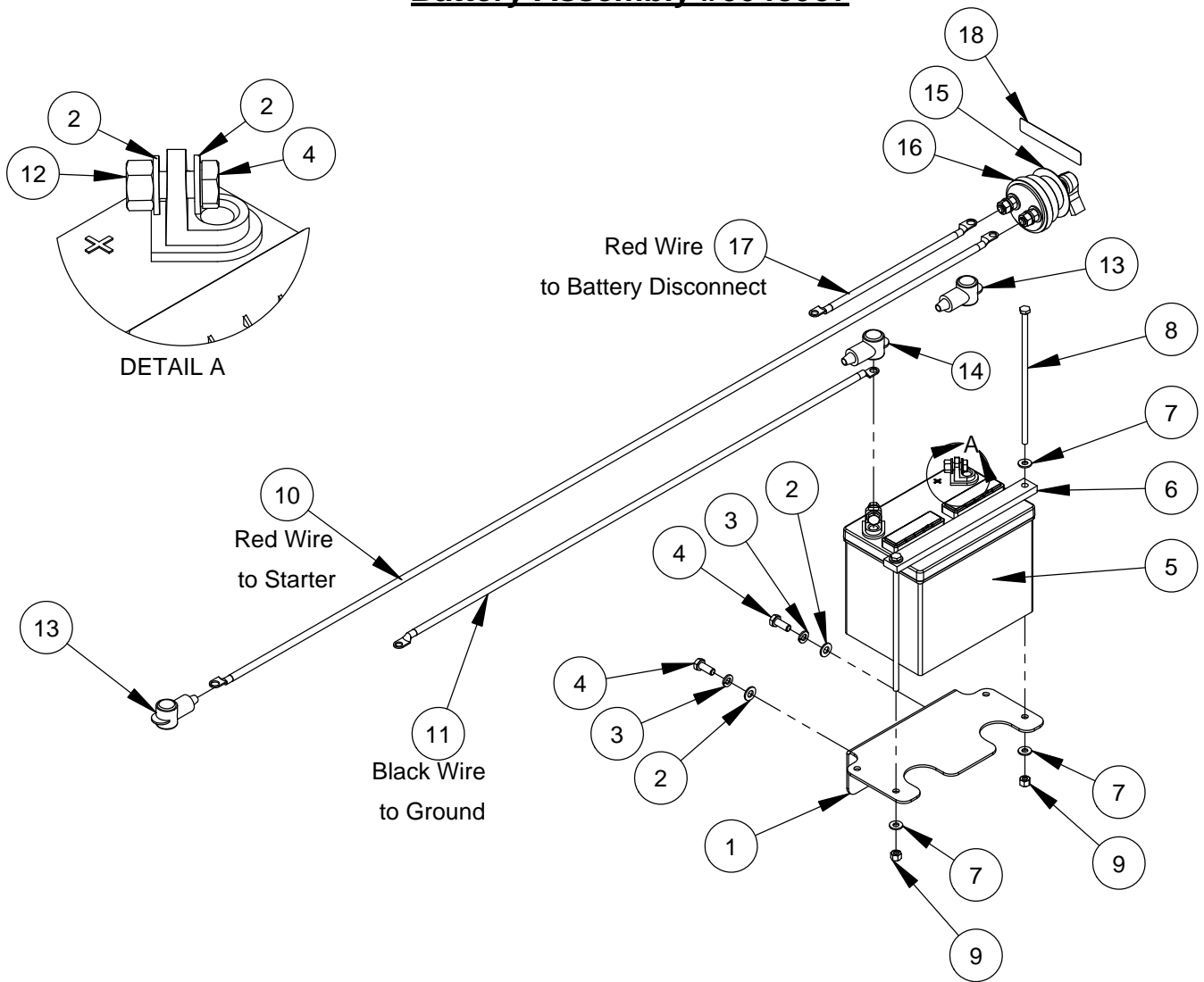
| ITEM | PART NO. | QTY. | DESCRIPTION                        |
|------|----------|------|------------------------------------|
| 1    | 6048069  | 1    | Pointer Bar - Straight             |
| 2    | 6048070  | 1    | Pointer Bar - Offset               |
| 3    | 2500624  | 1    | Wheel, 3"                          |
| 4    | 2900018  | 1    | Lock Nut, 3/8-16 Nylon             |
| 5    | 2900321  | 1    | Lock Washer, M10 Split             |
| 6    | 2900033  | 1    | Hex Nut, 3/8-16                    |
| 7    | 2900743  | 1    | Pointer Rod, 11"                   |
| 8    | 2900304  | 2    | Lock Nut, M10-1.5 Nylon Insert     |
| 9    | 2900333  | 2    | Cap Screw, Hex Hd., M10-1.5 x 25mm |
| 10   | 6048078  | 1    | Rope, 1/4 x 78"                    |
| 11   | 3200221  | 3    | Pinch Clamp, Two Ear               |

## Weight Bar Assembly #6048959



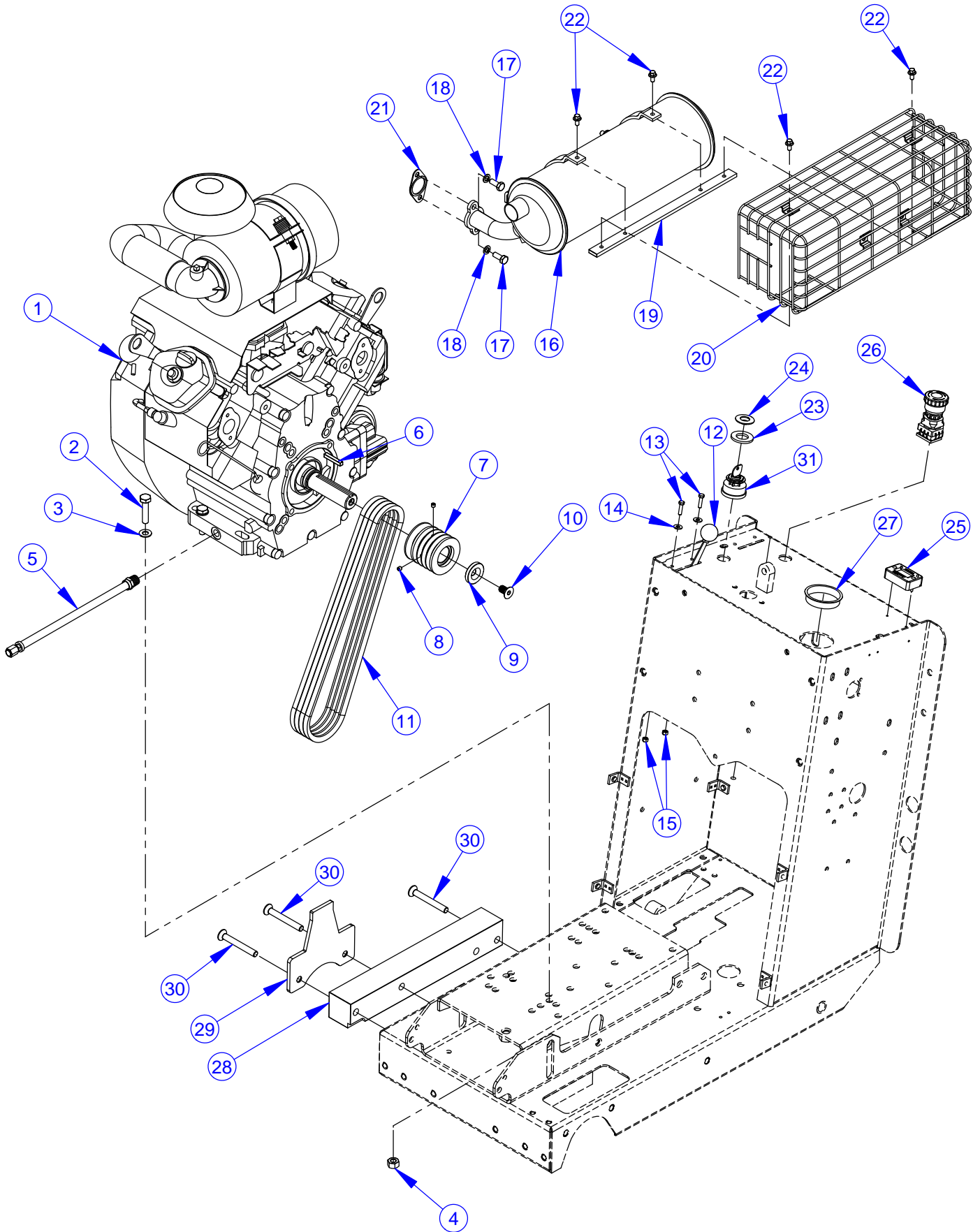
| ITEM NO. | PART NUMBER | QTY. | DESCRIPTION                    |
|----------|-------------|------|--------------------------------|
| 1        | 6048067     | 2    | Saw Weight, 13 Pound           |
| 2        | 2900321     | 2    | Lock Washer, M10 Split         |
| 3        | 2900334     | 2    | Cap Screw, Hex Hd., M10 x 70mm |

## Battery Assembly #6048957



| ITEM NO. | PART NO. | QTY. | DESCRIPTION                         |
|----------|----------|------|-------------------------------------|
| 1        | 6048327  | 1    | Bracket                             |
| 2        | 2900022  | 6    | Flat Washer, 5/16" SAE              |
| 3        | 2900031  | 2    | Lock Washer, 5/16" Split            |
| 4        | 2900329  | 4    | Cap Screw, Hex Hd., M8-1.25 x 20mm  |
| 5        | 2500584  | 1    | Battery, 12 Volt Group Size U1      |
| 6        | 4646122  | 1    | BatterySupport                      |
| 7        | 2900009  | 4    | Flat Washer, 1/4" SAE               |
| 8        | 2901405  | 2    | Cap Screw, Hex Hd., 1/4-20 x 7-1/2" |
| 9        | 2900010  | 2    | Lock Nut, 1/4-20 Nylon              |
| 10       | 6048091  | 1    | Battery Cable Assy., Red            |
| 11       | 6048092  | 1    | Battery Cable Assy., Black          |
| 12       | 2900303  | 2    | Lock Nut, M8-1.25 Nylon Insert      |
| 13       | 2800197  | 2    | Battery Boot, Small (Red)           |
| 14       | 2800198  | 1    | Battery Boot, Small (Black)         |
| 15       | 2800566  | 1    | Face Plate, Battery Disconnect      |
| 16       | 2800565  | 1    | Battery Disconnect Switch           |
| 17       | 2800570  | 1    | Battery Cable Assy., Red            |
| 18       | 1800846  | 1    | Label, Battery Disconnect           |

# 23HP Briggs/Vanguard Propane Engine Assembly #6049162

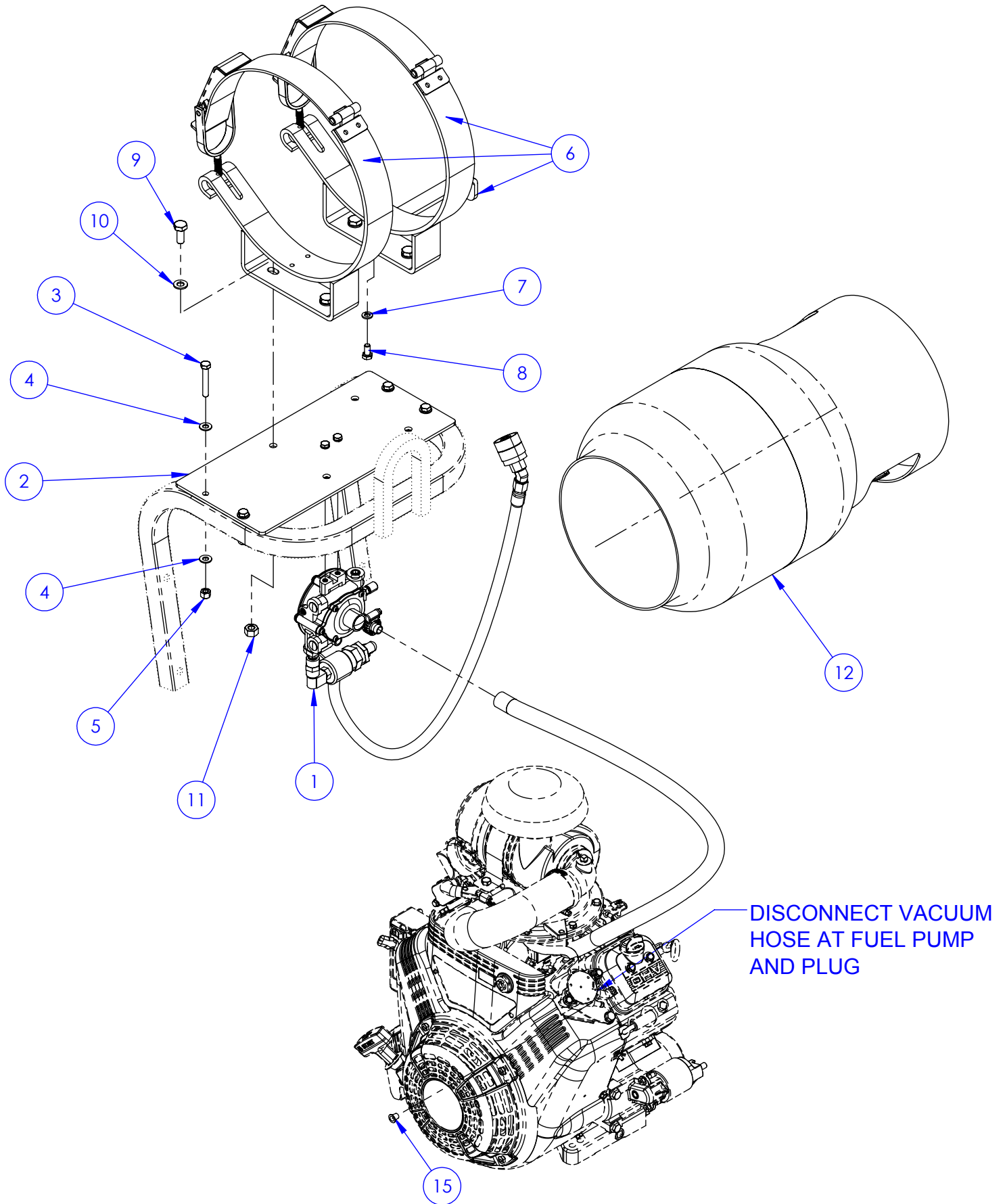




## 23HP Briggs/Vanguard Propane Engine Assembly #6049162

| ITEM | PART NO. | QTY. | DESCRIPTION                              |
|------|----------|------|--|
| 1    | 2601713  | 1    | Engine, 23HP Briggs-Vanguard             |
| 2    | 2900317  | 4    | Cap Screw, Hex Hd., M10-1.5 x 45mm       |
| 3    | 2900014  | 4    | Flat Washer, 3/8" SAE                    |
| 4    | 2900304  | 4    | Lock Nut, M10-1.5 Nylon Insert           |
| 5    | 6048040  | 1    | Oil Drain Hose Assembly, 1/4" x 10"      |
| 6    | 6011772  | 1    | Key, 1/4 X 1/4 X 1.50                    |
| 7    | 6044008  | 1    | Sheave, 2.65 X 1.125, 3V-4 / 4L-1 Groove |
| 8    | 2900056  | 2    | Set Screw, Soc. Hd., 1/4-20 x 1/4"       |
| 9    | 6044009  | 1    | Countersunk Washer                       |
| 10   | 2902148  | 1    | Cap Screw, Flat Hd., 7/16-20 X 3/4"      |
| 11   | 2500036  | 4    | V-Belt, 3VX355                           |
| 12   | 2500810  | 1    | Throttle Control, 36"                    |
| 13   | 2900309  | 2    | Cap Screw, Hex Hd., M5-0.8 x 20mm        |
| 14   | 2900016  | 2    | Flat Washer, #10 USS                     |
| 15   | 2900301  | 2    | Lock Nut, M5-0.8 Nylon Insert            |
| 16   | 2706804  | 1    | Muffler, 23 HP Briggs Vanguard           |
| 17   | 2900329  | 4    | Cap Screw, Hex Hd., M8-1.25 x 20mm       |
| 18   | 2900763  | 4    | Lock Washer, M8 Split                    |
| 19   | 6048878  | 1    | Muffler Guard Mount                      |
| 20   | 2701253  | 1    | Muffler Guard                            |
| 21   | 2706805  | 2    | Exhaust Gasket                           |
| 22   | 2901370  | 4    | Cap Screw, Hex Flange, M6-1.0 x 12mm     |
| 23   | 2900003  | 1    | Flat Washer, 3/4" SAE                    |
| 24   | 2900478  | 1    | Belleville Washer, 5/8"                  |
| 25   | 2801502  | 1    | Tach/Hour Meter, W/#6 Screws             |
| 26   | 2801367  | 1    | E-Stop Switch                            |
| 27   | 2500631  | 1    | Plug, 2-1/4" Tapered Hole                |
| 28   | 6048319  | 1    | Blade Guard Spacer                       |
| 29   | 6049024  | 1    | Tapered Guard Mount                      |
| 30   | 2900908  | 3    | Cap Screw, Flat Hd., M10-1.5 x 80mm      |
| 31   | 2702622  | 1    | Ignition Switch w/ Key (Briggs-Vanguard) |
| 32   | 6043648  | 1    | Wire Harness (Not Shown)                 |

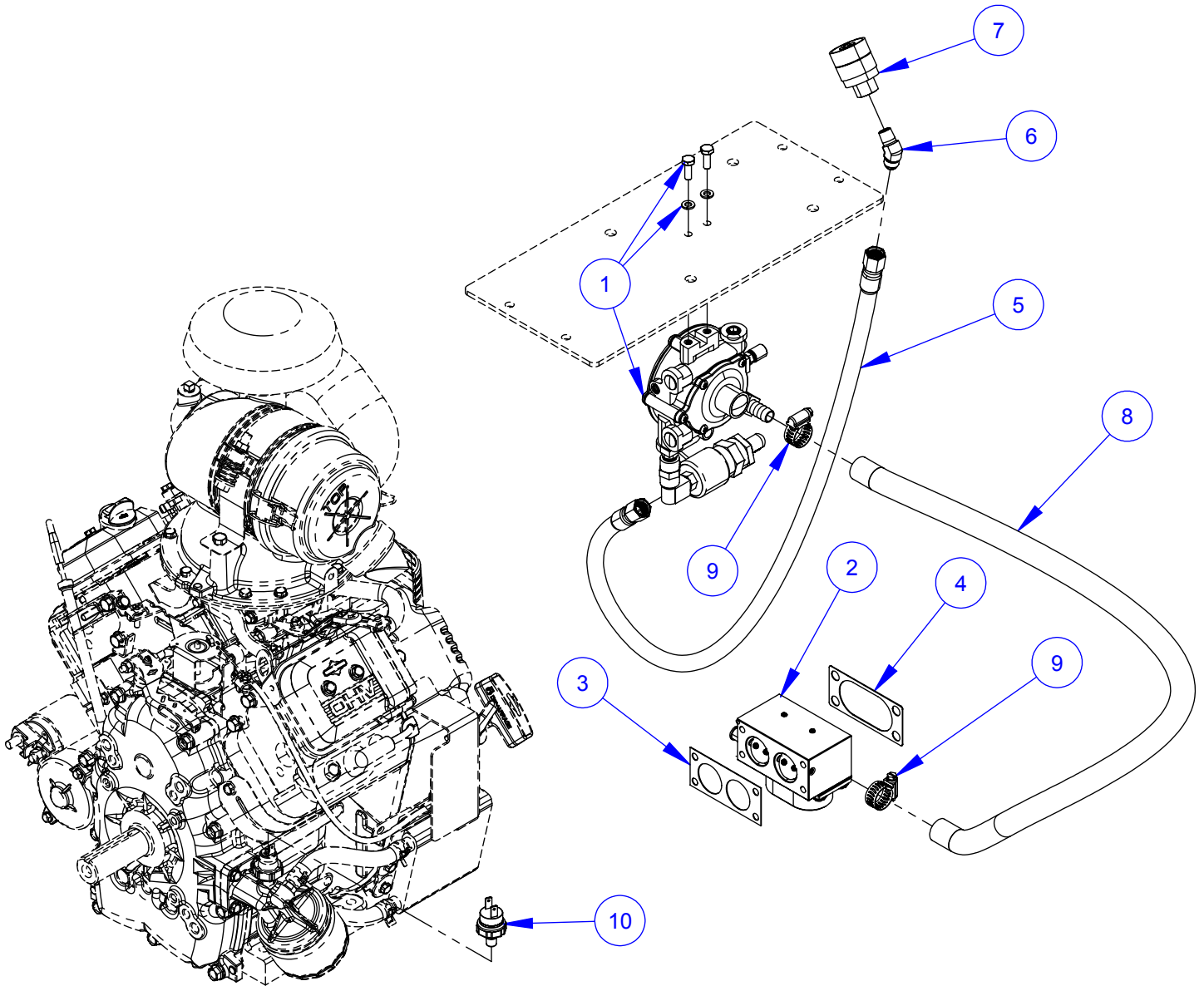
# 23HP Briggs/Vanguard Propane Conversion Assembly #6011790



## **23HP Briggs/Vanguard Propane Conversion Assembly #6011790**

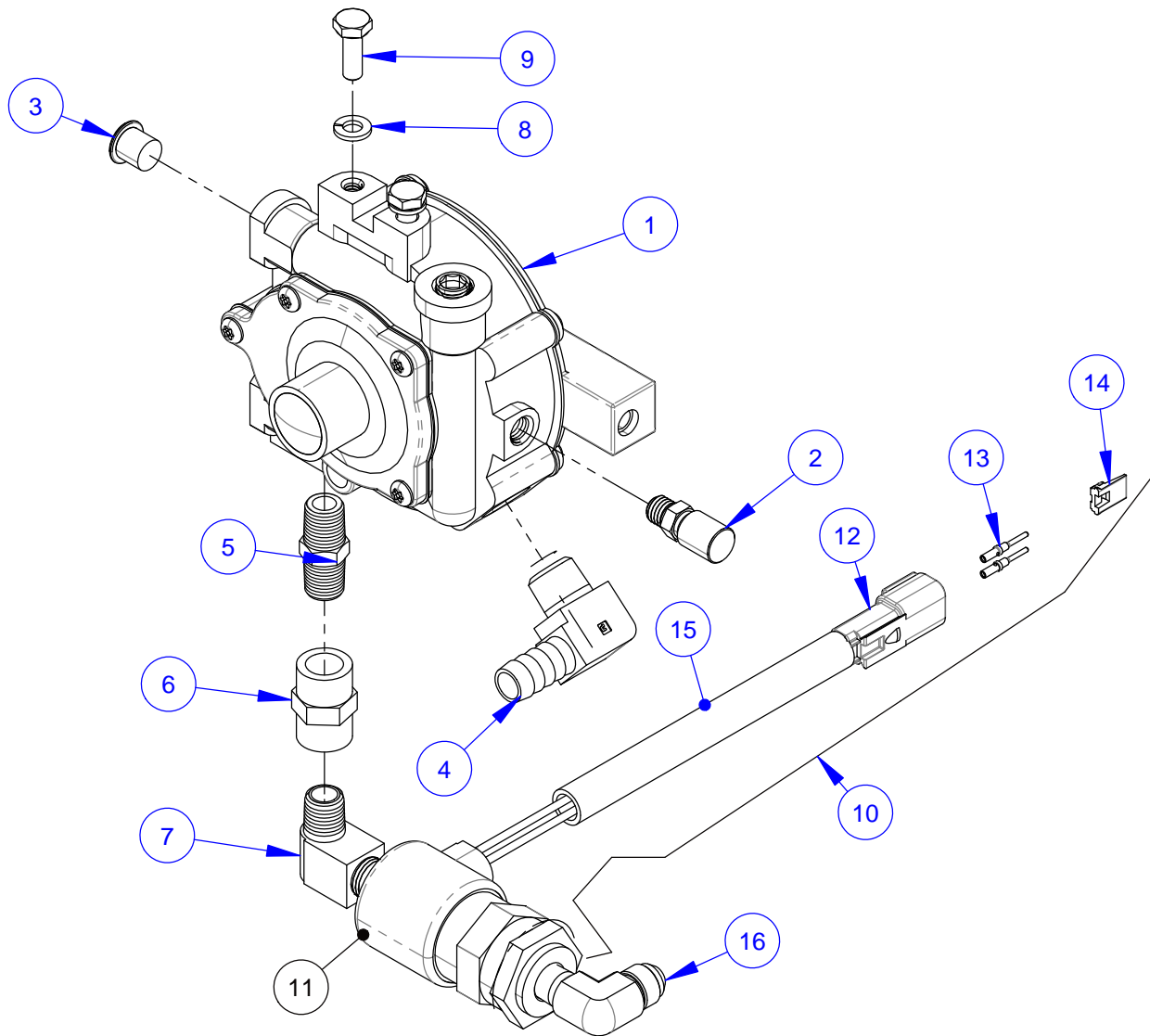
| ITEM | PART NO. | QTY. | DESCRIPTION                                 |
|------|----------|------|---|
| 1    | 2505288  | 1    | 23HP Briggs/Vanguard Propane Conversion Kit |
| 2    | 6011808  | 1    | Propane Tank Mounting Plate (CC1823)        |
| 3    | 2900494  | 4    | Cap Screw, Hex Hd., 5/16-18 x 2"            |
| 4    | 2900022  | 8    | Flat Washer, 5/16" SAE                      |
| 5    | 2900039  | 4    | Lock Nut, 5/16-18 Nylon                     |
| 6    | 2505191  | 1    | Propane Tanks Straps w/Pin                  |
| 7    | 2900031  | 2    | Lock Washer, 5/16" Split                    |
| 8    | 2900883  | 2    | Cap Screw, Hex Hd., 5/16-18 x 5/8"          |
| 9    | 2900333  | 4    | Cap Screw, Hex Hd., M10-1.5 x 25mm          |
| 10   | 2901356  | 4    | Flat Washer, M10                            |
| 11   | 2900304  | 4    | Lock Nut, M10-1.5 Nylon Insert              |
| 12   | 2505289  | 1    | 20# Propane Tank                            |
| 13   | 1802722  | 1    | Propane Tank Service Label (Not Shown)      |
| 14   | 6044015  | 1    | Ext. Harness 23HP Briggs (Not Shown)        |
| 15   | 2503749  | 1    | Plug, 5/16" Hole (Tapered)                  |

## 23HP Briggs/Vanguard Propane Conversion Kit #2505288



| ITEM | PART NO. | QTY. | DESCRIPTION                                |
|------|----------|------|--|
| 1    | 2505553  | 1    | Regulator Assembly (Propane)               |
| 2    | 2505295  | 1    | Carburetor Assembly                        |
| 3    | 2505322  | 1    | Carburetor Intake Gasket                   |
| 4    | 2505323  | 1    | Carburetor Air Cleaner Gasket              |
| 5    | 2505296  | 1    | High Pressure Propane Hose                 |
| 6    | 3206433  | 1    | 1/4" M.PIPE - 3/8" M.JIC Elbow, 45 Degrees |
| 7    | 2505298  | 1    | 1-1/4 ACME LH X 1/4 NNPT FM Propane        |
| 8    | 2505297  | 1    | 5/8 x 30" Fuel Line                        |
| 9    | 3200016  | 2    | Hose Clamp #8                              |
| 10   | 2505326  | 1    | Oil Pressure Switch                        |

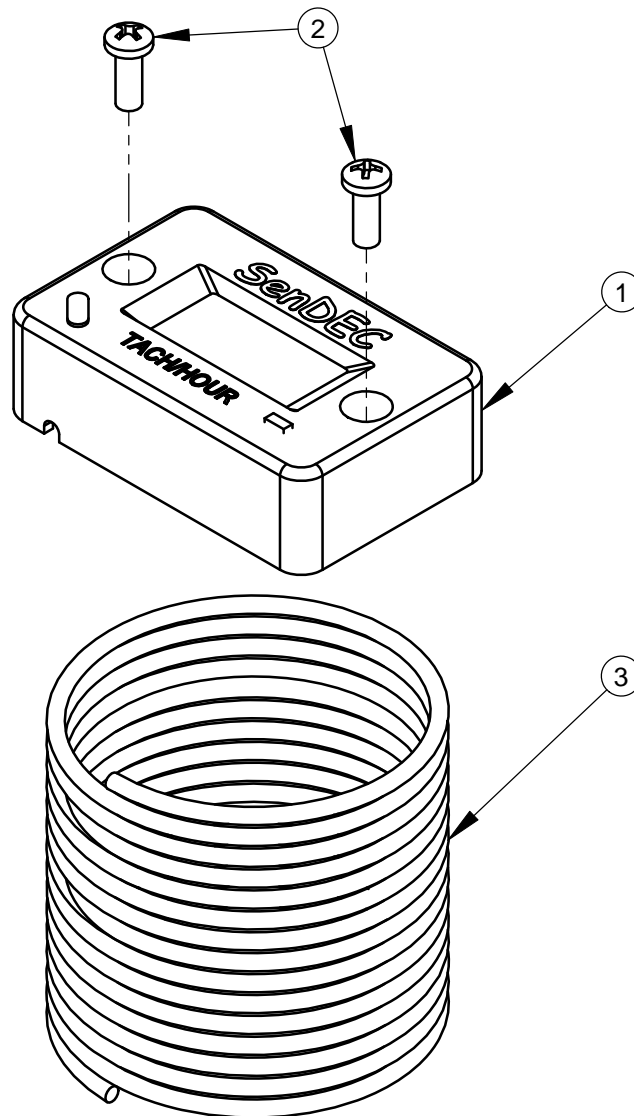
## Propane Regulator Assembly #2505553



| ITEM | PART NO. | QTY. | DESCRIPTION                            |
|------|----------|------|--|
| 1    | 2505199  | 1    | Propane Regulator                      |
| 2    | 2505282  | 1    | Shrader Valve                          |
| 3    | 3202948  | 2    | Hole Plug, 7/16" Dia.                  |
| 4    | 3201982  | 1    | Elbow, 3/8" M. Pipe to 1/2" Hose Barb  |
| 5    | 3200060  | 1    | Hex Nipple, 1/4" NPT                   |
| 6    | 3202794  | 1    | Coupling, 1/4" NPT Brass               |
| 7    | 3200012  | 1    | Street Elbow, 1/4" NPT                 |
| 8    | 2900024  | 2    | Lock Washer, 1/4" Split                |
| 9    | 2900144  | 2    | Cap Screw, Hex Hd., 1/4-20 x 3/4"      |
| 10   | 6014119  | 1    | Fuel Solenoid Connector (Items 11-17)  |
| 11   | 2505283  | 1    | Valve, Fuel Shut Off                   |
| 12   | 2808060  | 1    | Deutsch Receptacle 2 Way               |
| 13   | 2704667  | 2    | Pin Terminal 16-20 AWG                 |
| 14   | 2801057  | 1    | Wedge, Receptacle 2 Way                |
| 15   | 2800093  | 1    | Wire Loom, 3/8" ID                     |
| 16   | 3200061  | 1    | 1/4" M. Pipe to 3/8" M. JIC, 90° Elbow |

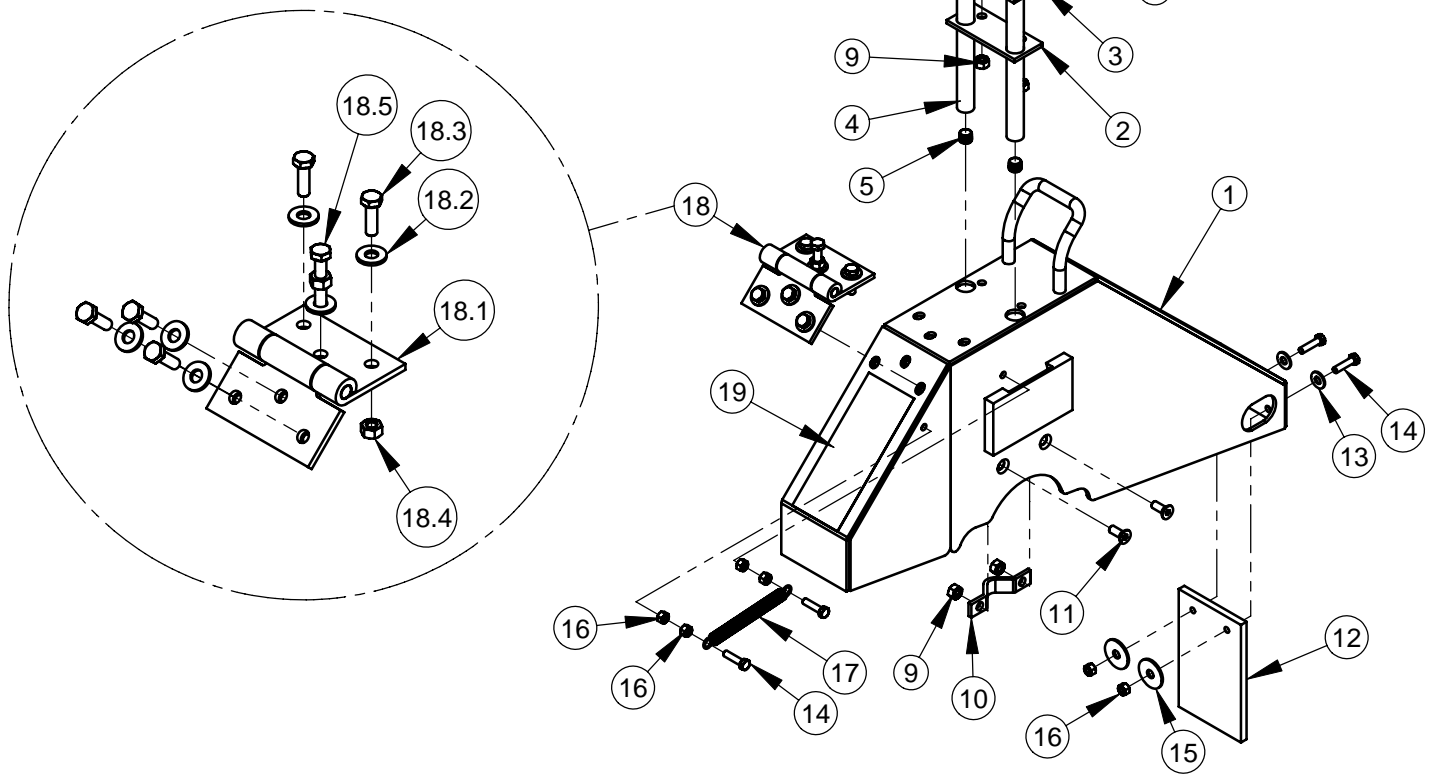
Intentionally Blank

## Tach/Hourmeter Assembly #2801502



| ITEM | PART NO. | QTY. | DESCRIPTION                          |
|------|----------|------|--------------------------------------|
| 1    | 2801502  | 1    | Tach/Hour Meter, Digital             |
| 2    | 2701785  | 2    | Pan Head, Self-tapping, #6-20 x 3/8" |
| 3    | 2801502A | 1    | Tachometer Wire                      |

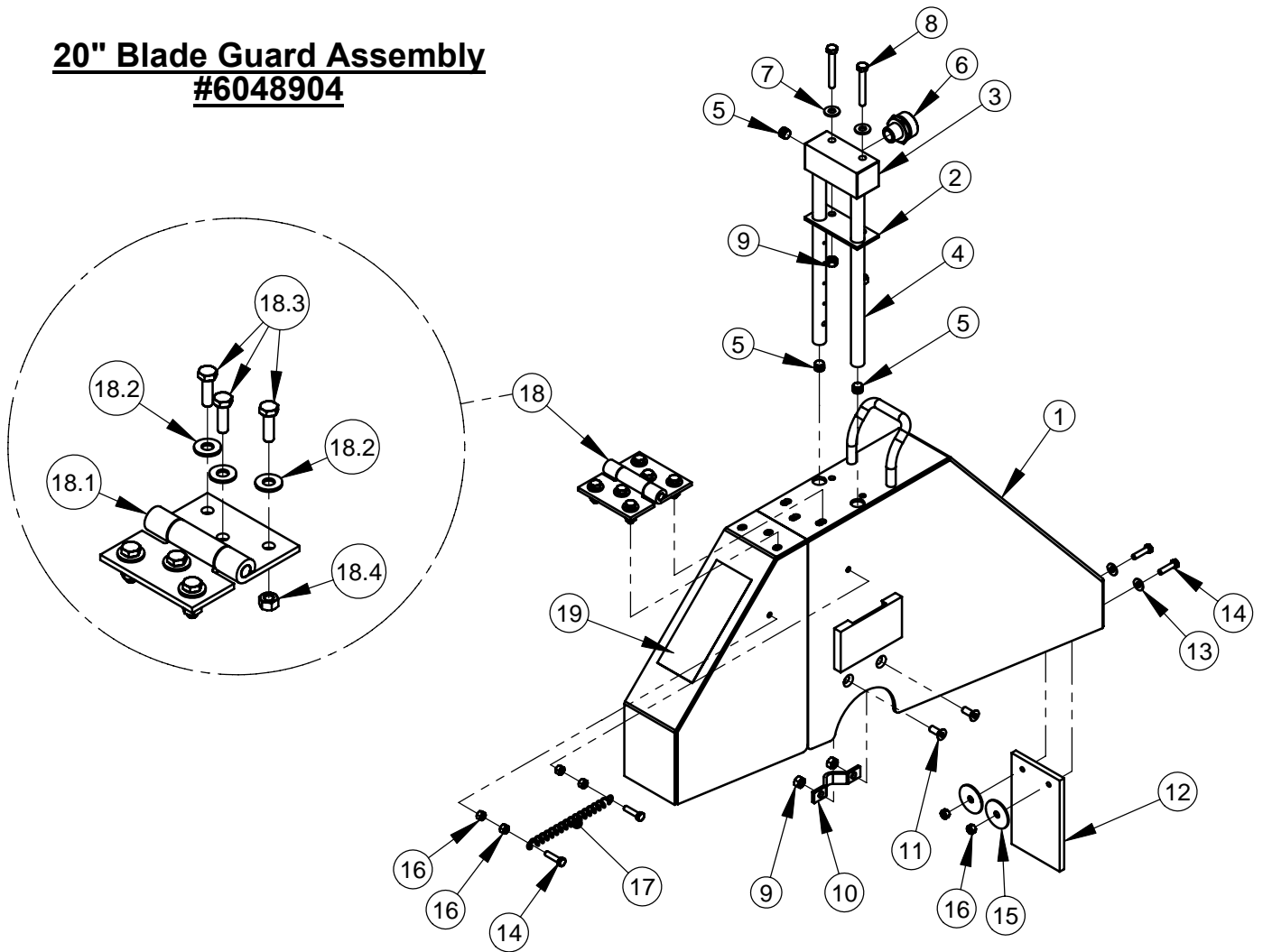
**14" Blade Guard Assembly**  
**#6048912**



| ITEM | PART NO. | QTY. | DESCRIPTION                             |
|------|----------|------|---|
| 1    | 6048911  | 1    | 14" Blade Guard                         |
| 2    | 2500829  | 1    | Water Manifold Gasket                   |
| 3    | 6048123  | 1    | Water Manifold                          |
| 4    | 6048283  | 2    | Water Tube for 14" Guard                |
| 5    | 3200001  | 3    | Plug, 1/8" NPT                          |
| 6    | 3200002  | 1    | Fitting, 3/8" M. Pipe to 3/4" M. Garden |
| 7    | 2900009  | 2    | Flat Washer, 1/4" SAE                   |
| 8    | 2900244  | 2    | Cap Screw, Hex Hd., M6 x 45mm           |
| 9    | 2900302  | 6    | Lock Nut, M6 Nylon                      |
| 10   | 6048155  | 2    | Water Tube Clamp                        |
| 11   | 2900308  | 4    | Cap Screw, Flat Hd. Soc., M6 x 16mm     |
| 12   | 6048039  | 1    | Splash Flap                             |
| 13   | 2900016  | 2    | Flat Washer, #10 USS                    |
| 14   | 2900309  | 4    | Cap Screw, Hex Hd., M5 x 20mm           |
| 15   | 2900083  | 2    | Fender Washer, 1/4" I.D. x 1-1/4" O.D.  |
| 16   | 2900301  | 6    | Lock Nut, M5 Nylon                      |
| 17   | 2500066  | 1    | Spring, 3/8 X .055 X 3"                 |
| 18   | 6048026  | 1    | Hinge Assy., Metric Fasteners           |
| 18.1 | 2500270  | 1    | Blade Guard Hinge                       |
| 18.2 | 2900009  | 6    | Flat Washer, 1/4" SAE                   |
| 18.3 | 2900310  | 5    | Cap Screw, Hex Hd., M6 x 20mm           |
| 18.4 | 2900302  | 7    | Lock Nut, M6 Nylon                      |
| 18.5 | 2900312  | 1    | Cap Screw, Hex Hd., M6 x 35mm           |
| 19   | 1800001  | 1    | Warning Label                           |

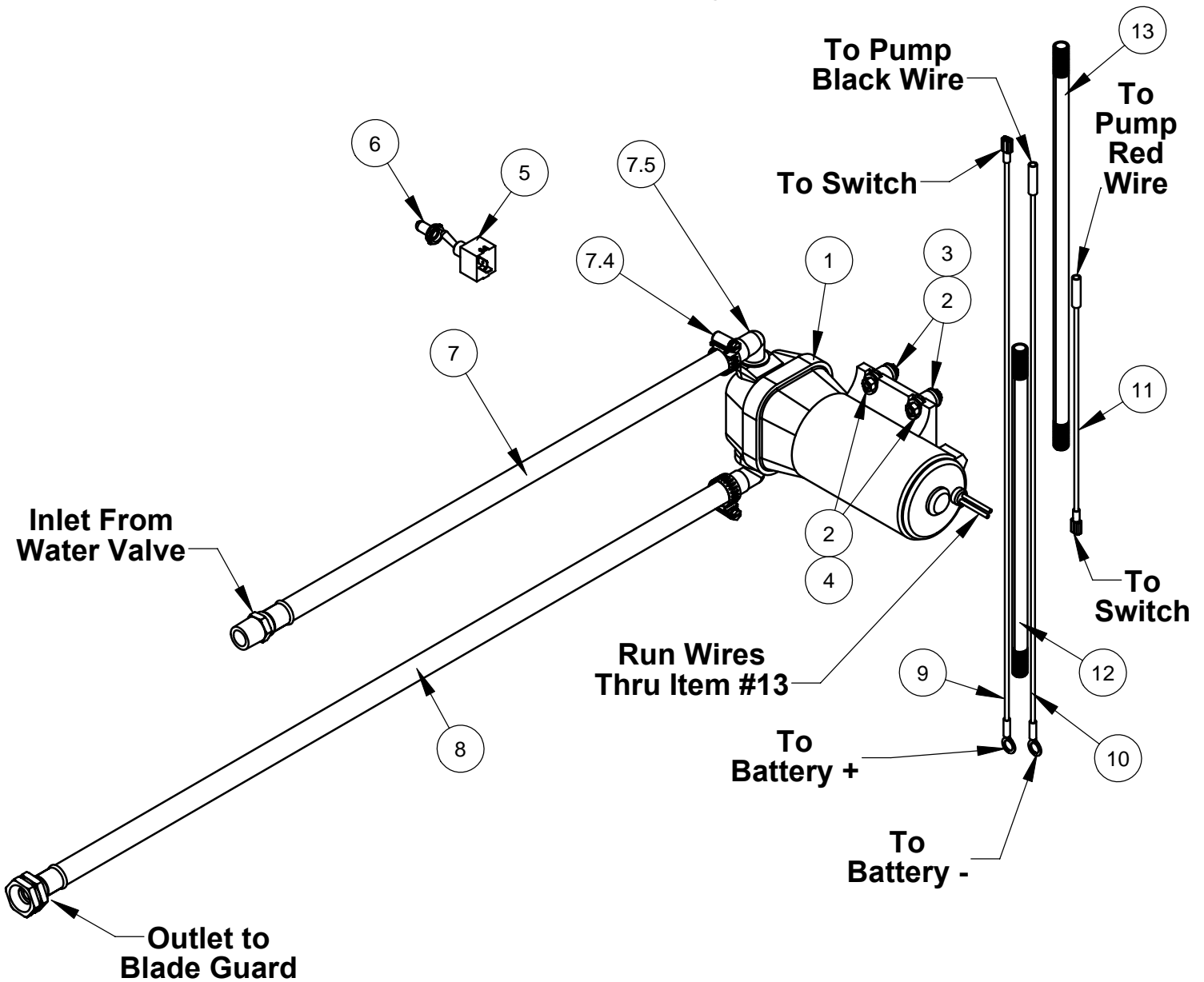


**20" Blade Guard Assembly**  
**#6048904**



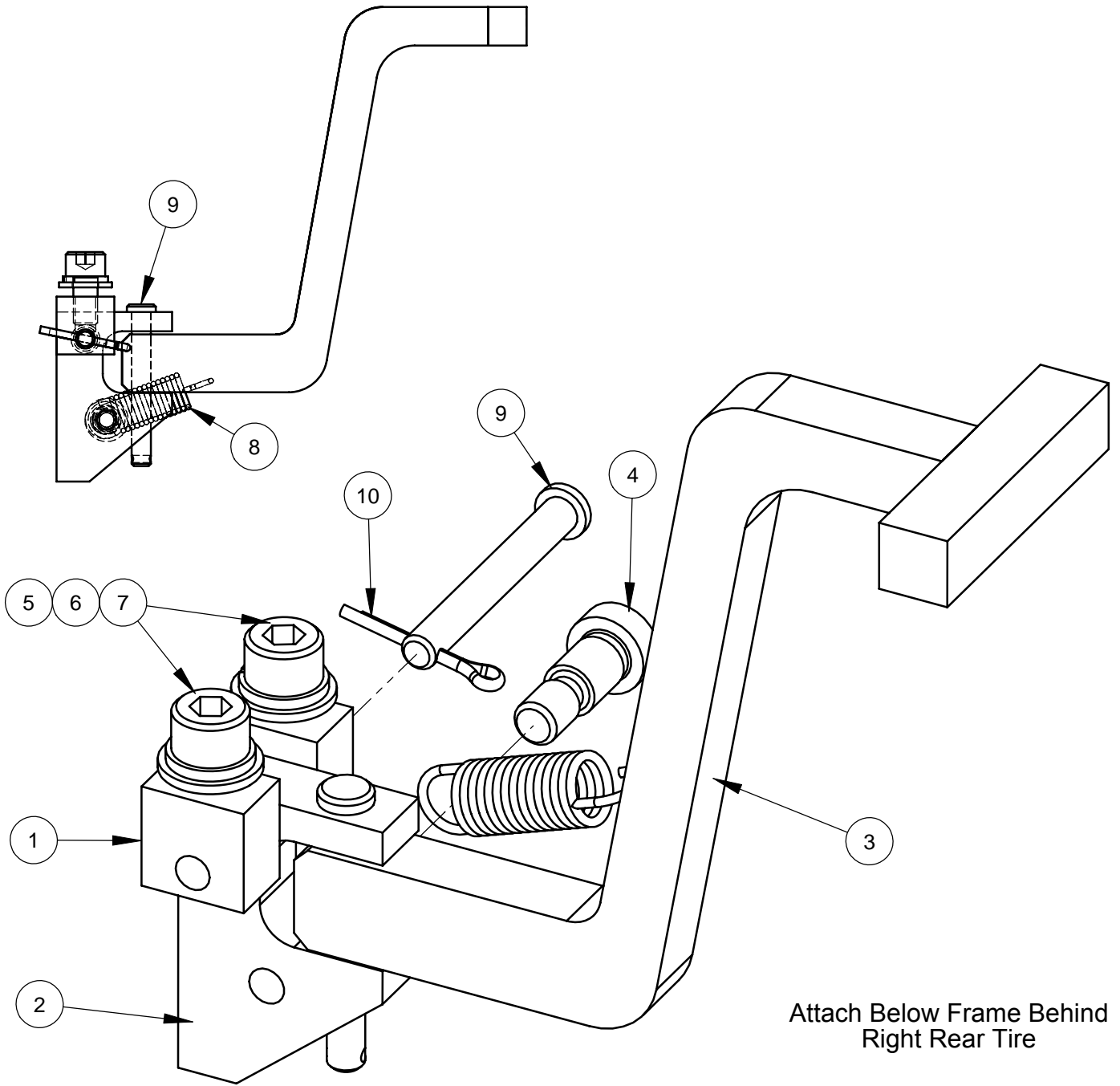
| ITEM | PART NO. | QTY. | DESCRIPTION                             |
|------|----------|------|---|
| 1    | 6048905  | 1    | 20" Blade Guard                         |
| 2    | 2500829  | 1    | Water Manifold Gasket                   |
| 3    | 6048123  | 1    | Water Manifold                          |
| 4    | 6010085  | 2    | Water Tube for 20" Guard                |
| 5    | 3200001  | 3    | Plug, 1/8" NPT                          |
| 6    | 3200002  | 1    | Fitting, 3/8" M. Pipe to 3/4" M. Garden |
| 7    | 2900009  | 2    | Flat Washer, 1/4" SAE                   |
| 8    | 2900244  | 2    | Cap Screw, Hex Hd., M6 x 45mm           |
| 9    | 2900302  | 6    | Lock Nut, M6 Nylon                      |
| 10   | 6048155  | 2    | Water Tube Clamp                        |
| 11   | 2900308  | 4    | Cap Screw, Flat Hd. Soc., M6 x 16mm     |
| 12   | 6048039  | 1    | Splash Flap                             |
| 13   | 2900016  | 2    | Flat Washer, #10 USS                    |
| 14   | 2900309  | 4    | Cap Screw, Hex Hd., M5 x 20mm           |
| 15   | 2900083  | 2    | Fender Washer, 1/4" x 1-1/4"            |
| 16   | 2900301  | 6    | Lock Nut, M5 Nylon                      |
| 17   | 2500067  | 1    | Spring, 3/8" x 4"                       |
| 18   | 6048027  | 1    | Hinge Assy., Metric Fasteners           |
| 18.1 | 2500270  | 1    | Blade Guard Hinge                       |
| 18.2 | 2900009  | 6    | Flat Washer, 1/4" SAE                   |
| 18.3 | 2900310  | 6    | Cap Screw, Hex Hd., M6 x 20mm           |
| 18.4 | 2900302  | 6    | Lock Nut, M6 Nylon                      |
| 19   | 1800001  | 1    | Warning Label                           |

## Water Pump Assembly #6048970



| ITEM | PART NO. | QTY. | DESCRIPTION                         |
|------|----------|------|-------------------------------------|
| 1    | 2600200  | 1    | Water Pump, 12V Diaphragm           |
| 2    | 2900009  | 8    | Flat Washer, 1/4" SAE               |
| 3    | 2900311  | 4    | Cap Screw, Hex Hd., M6 x 25         |
| 4    | 2900302  | 4    | Lock Nut, M6 Nylon                  |
| 5    | 2800062  | 1    | Toggle Switch On/Off                |
| 6    | 2800063  | 1    | Switch Boot                         |
| 7    | 6048965  | 1    | Hose Assy., 1/2" x 23.67", Water    |
| 7.4  | 3200016  | 1    | Hose Clamp #8                       |
| 7.5  | 2701694  | 1    | Port Fitting, 1/2" Barb x 90 Degree |
| 8    | 6048966  | 1    | Hose Assy., 1/2 x 33.85", Water     |
| 9    | 6043197  | 1    | Wire Assy., 14 Ga., White           |
| 10   | 6043198  | 1    | Wire Assy., 14 Ga., Black           |
| 11   | 6043199  | 1    | Wire Assy., 14 Ga., Green           |
| 12   | 6043397  | 1    | Wire Cover, 13"                     |
| 13   | 6043398  | 1    | Wire Cover, 16"                     |

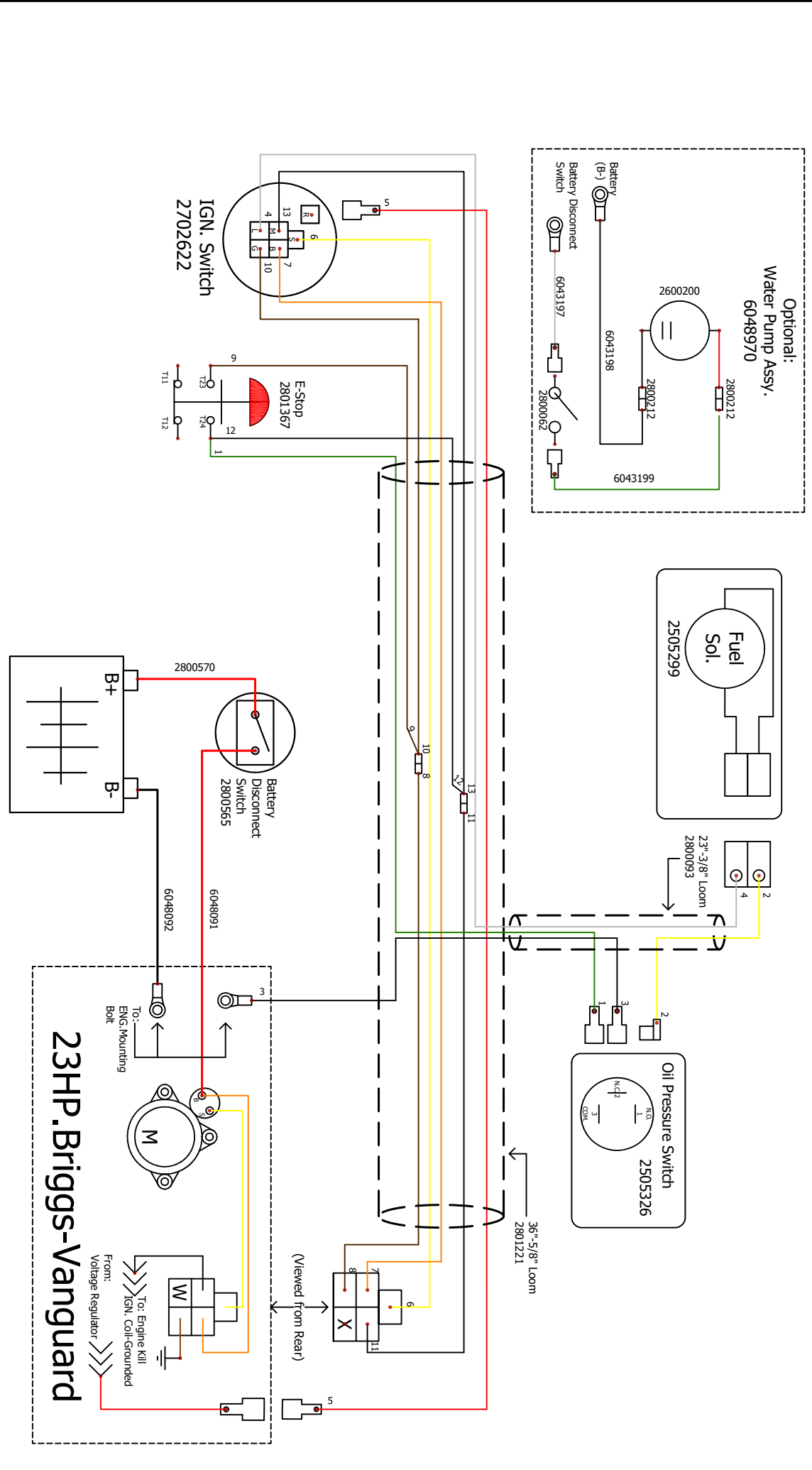
## Brake Option #6048873



Attach Below Frame Behind  
Right Rear Tire

| ITEM | PART NO. | QTY. | DESCRIPTION                           |
|------|----------|------|---------------------------------------|
| 1    | 6048868  | 2    | Clevis Plate                          |
| 2    | 6048867  | 1    | Plate, Brake Pivot                    |
| 3    | 6048869  | 1    | Brake Pedal Weldment                  |
| 4    | 2900672  | 1    | Shoulder Screw, 3/8" x 1/2" (5/16-18) |
| 5    | 2900022  | 2    | Flat Washer, 5/16" SAE                |
| 6    | 2900031  | 2    | Lock Washer, 5/16" Split              |
| 7    | 2900267  | 2    | Cap Screw, Soc. Hd., M8 x 16mm        |
| 8    | 2500068  | 1    | Spring, .063 x .50 x 1.75             |
| 9    | 2901404  | 2    | 1/4 x 2.0" Clevis Pin                 |
| 10   | 2900034  | 1    | Cotter Pin, 3/32" x 3/4"              |

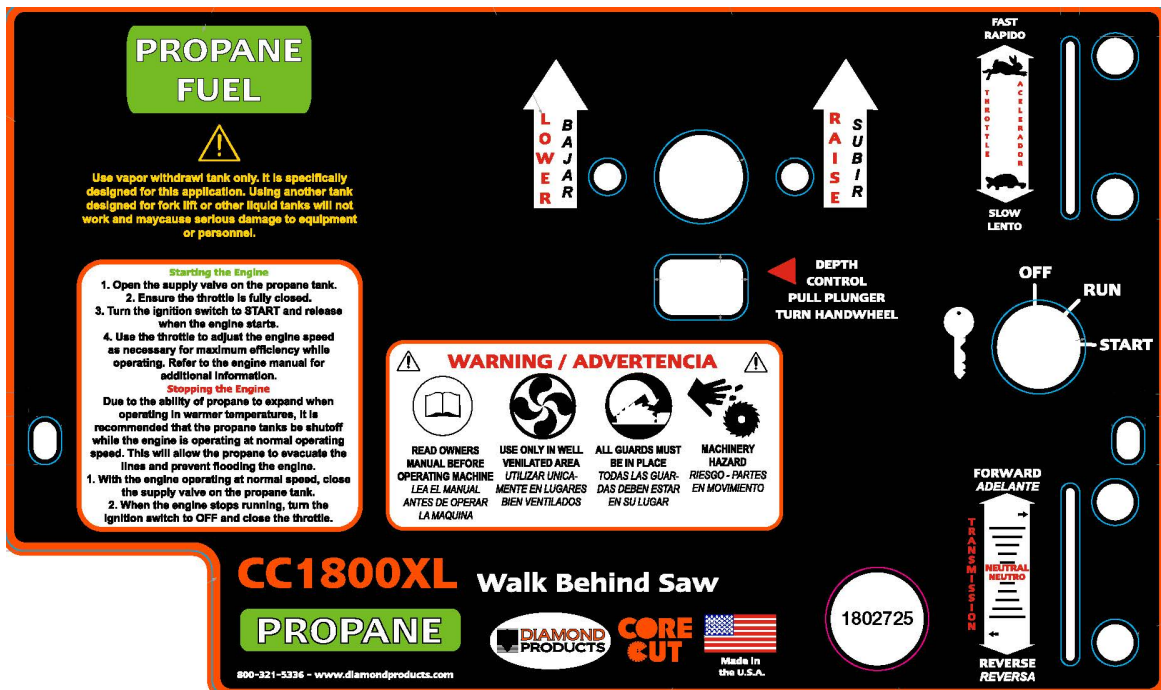
|                   |    |              |             |                        |           |
|-------------------|----|--------------|-------------|------------------------|-----------|
| CONTRACT: 6044015 |    | LOCATION: L1 |             | Main electrical closet |           |
| REVISION          | 0  | DATE         | 6/15/2020   | NAME                   | ifurinsky |
| SCHEME            | 04 | CHANGES      | User data 2 |                        |           |
|                   |    | USER DATA    | User data 1 |                        |           |



# CC1800XL Decals



**Core Cut Decal, #1802715**



**CC1800XL Operating Decal, #1802725**





## EQUIPMENT AND PARTS WARRANTY

Diamond Products warrants all equipment manufactured by it against defects in workmanship or materials for a period of one (1) year from the date of shipment to Customer.

The responsibility of Diamond Products under this Warranty is limited to replacement or repair of defective parts at Diamond Products' Elyria, Ohio factory, or at a point designated by it, of such parts as shall appear to us upon inspection at such parts, to have been defective in material or workmanship, with expense for transportation and labor borne by Customer.

In no event shall Diamond Products be liable for consequential or incidental damages arising out of the failure of any Product to operate properly.

Integral units such as engines, electric motors, batteries, transmissions, etc., are excluded from this Warranty and are subject to the prime manufacturer's warranty.

**THIS WARRANTY IS IN LIEU OF ALL OTHER WARRANTIES, EXPRESSED OR IMPLIED, AND ALL SUCH OTHER WARRANTIES ARE HEREBY DISCLAIMED.**



333 Prospect Street, Elyria, Ohio 44035  
(440) 323-4616 • (800) 321-5336 • Fax (800) 634-4035  
[www.diamondproducts.com](http://www.diamondproducts.com)