



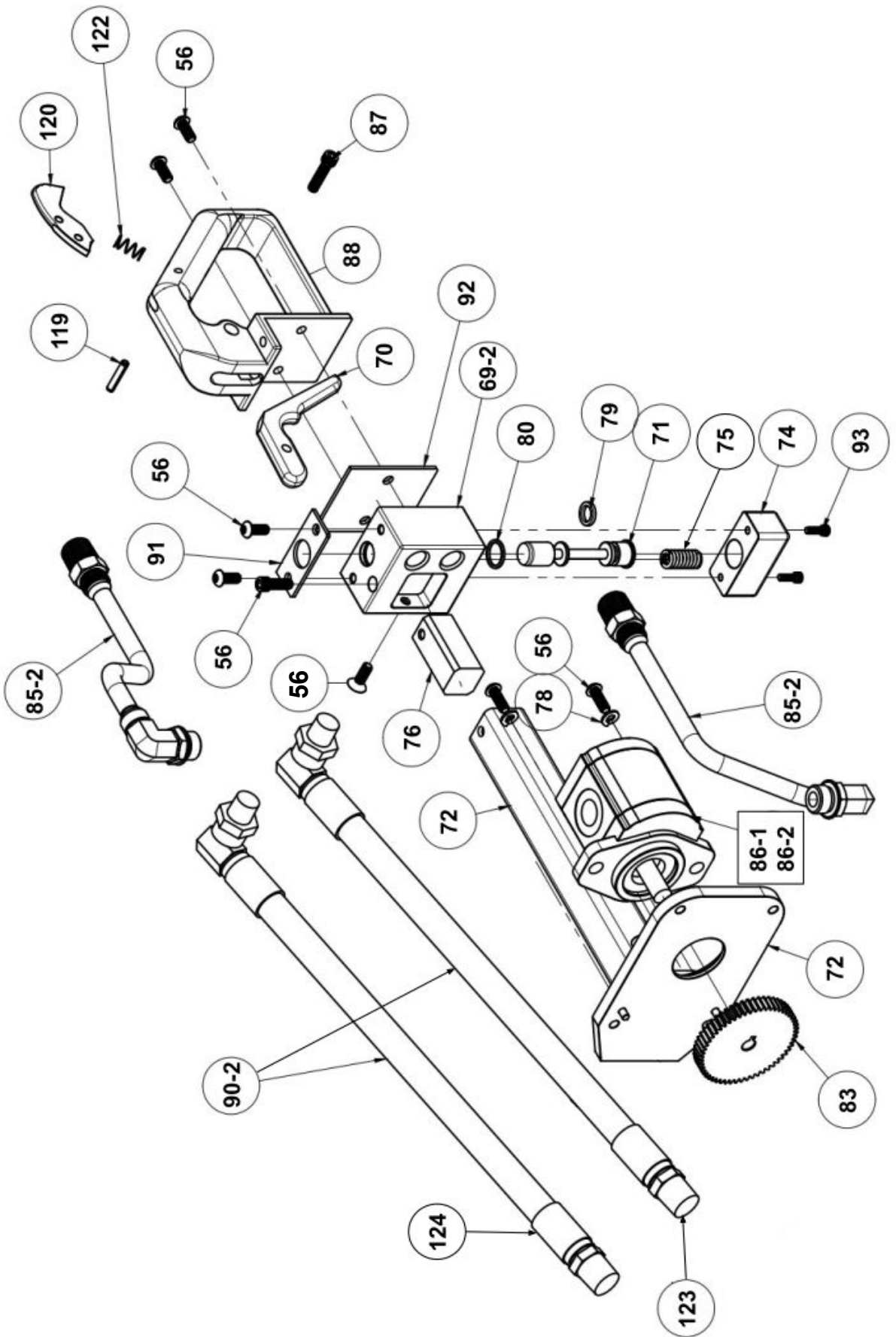
**CORE CUT
PARTS LIST**

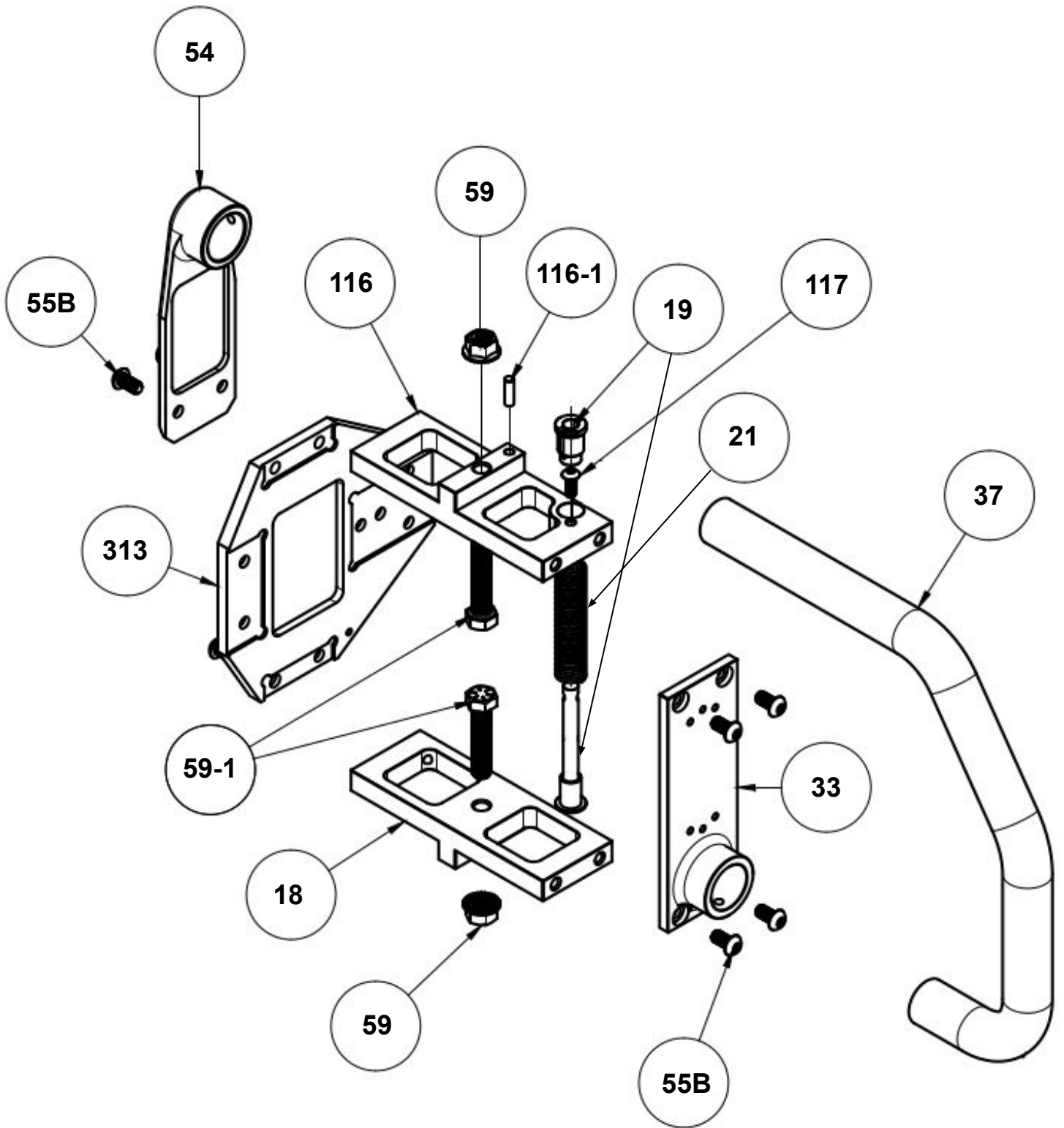
**HDS60
DRAGON SAW**

FEBRUARY, 2025

Table of Contents

<u>Description</u>	<u>Page No.</u>
1. Exploded View	4-8
2. Breakdown.....	9-11
3. Notes	12
4. Warranty.....	14





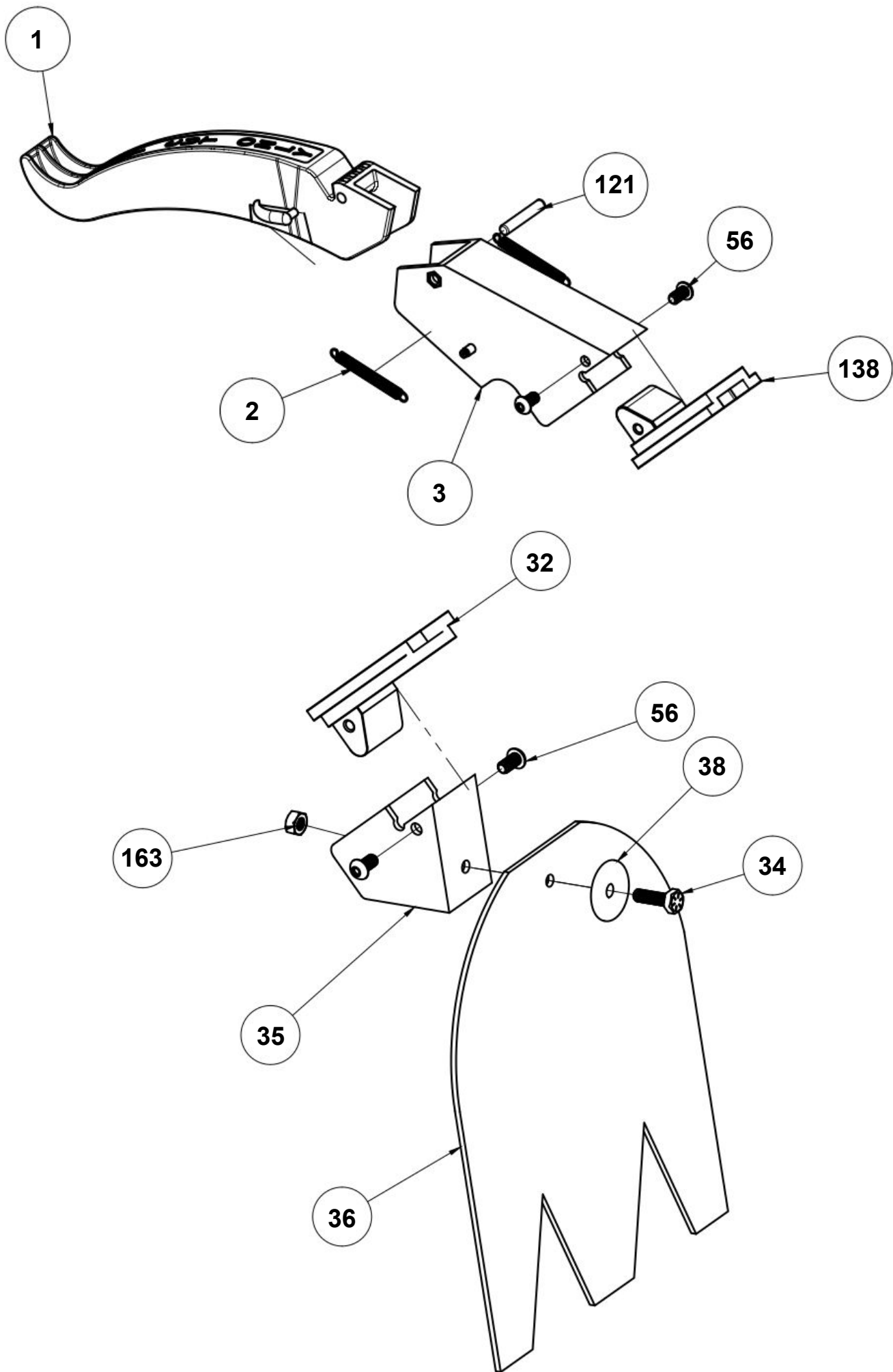
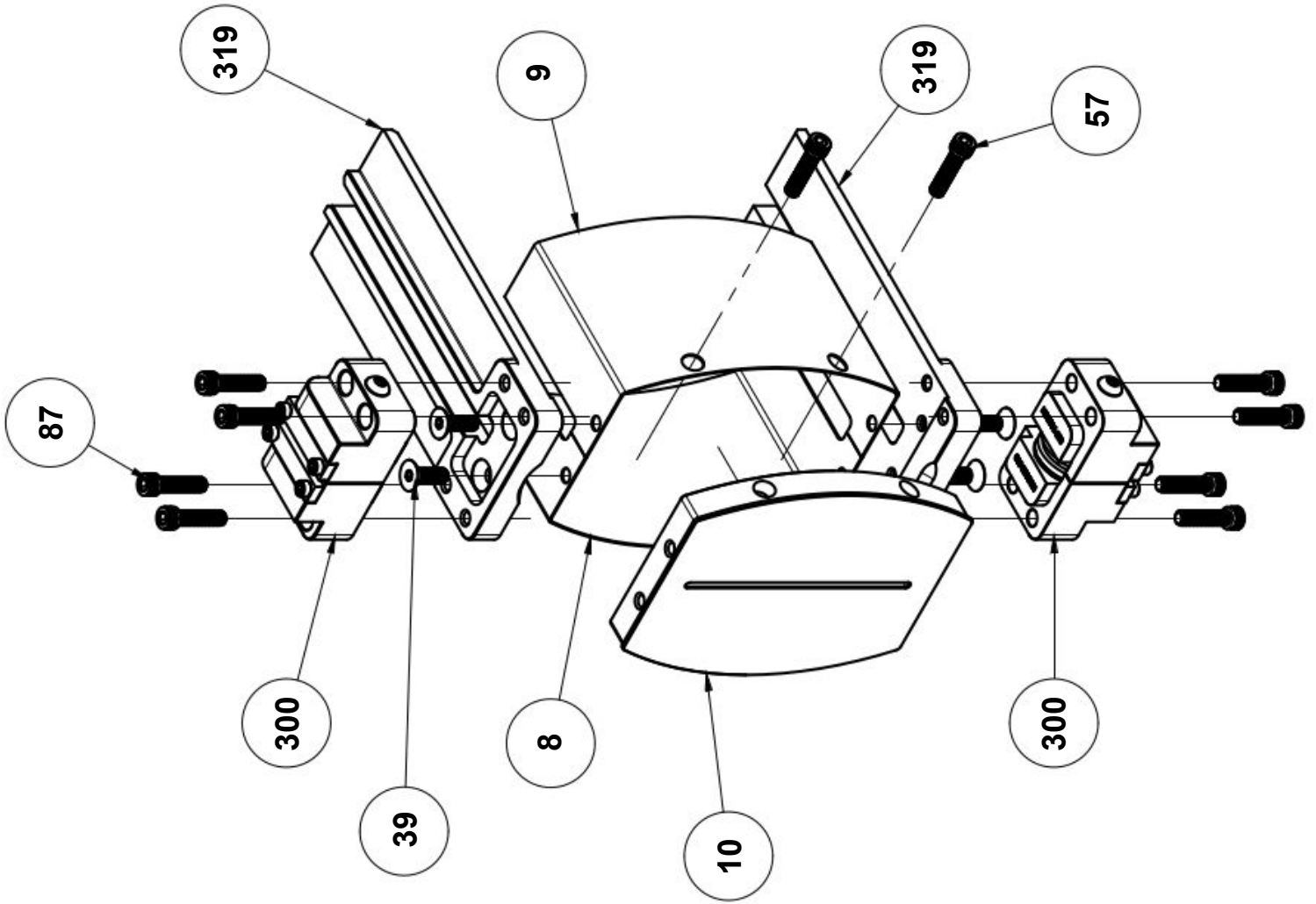
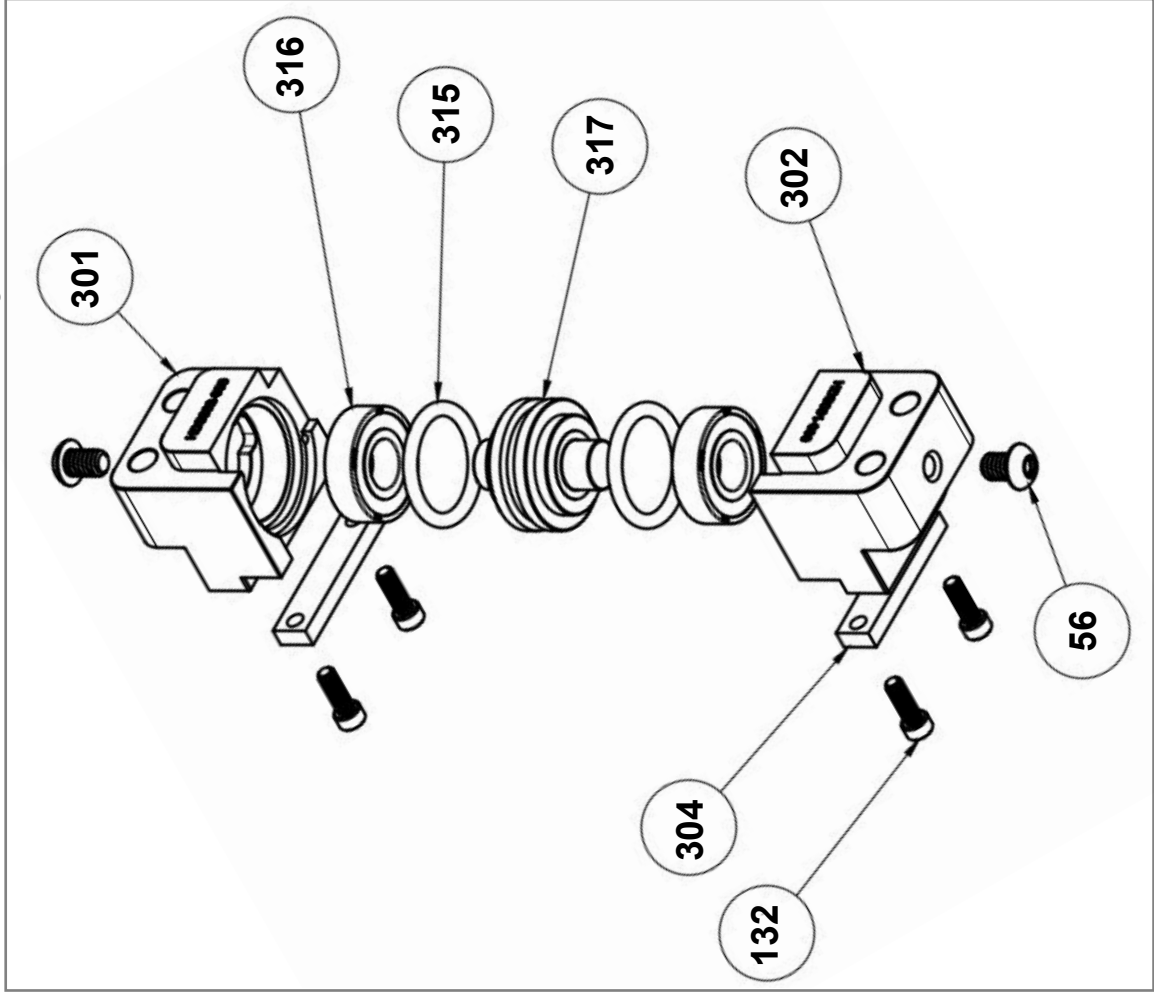


FIG 300
Guide Roller Assembly



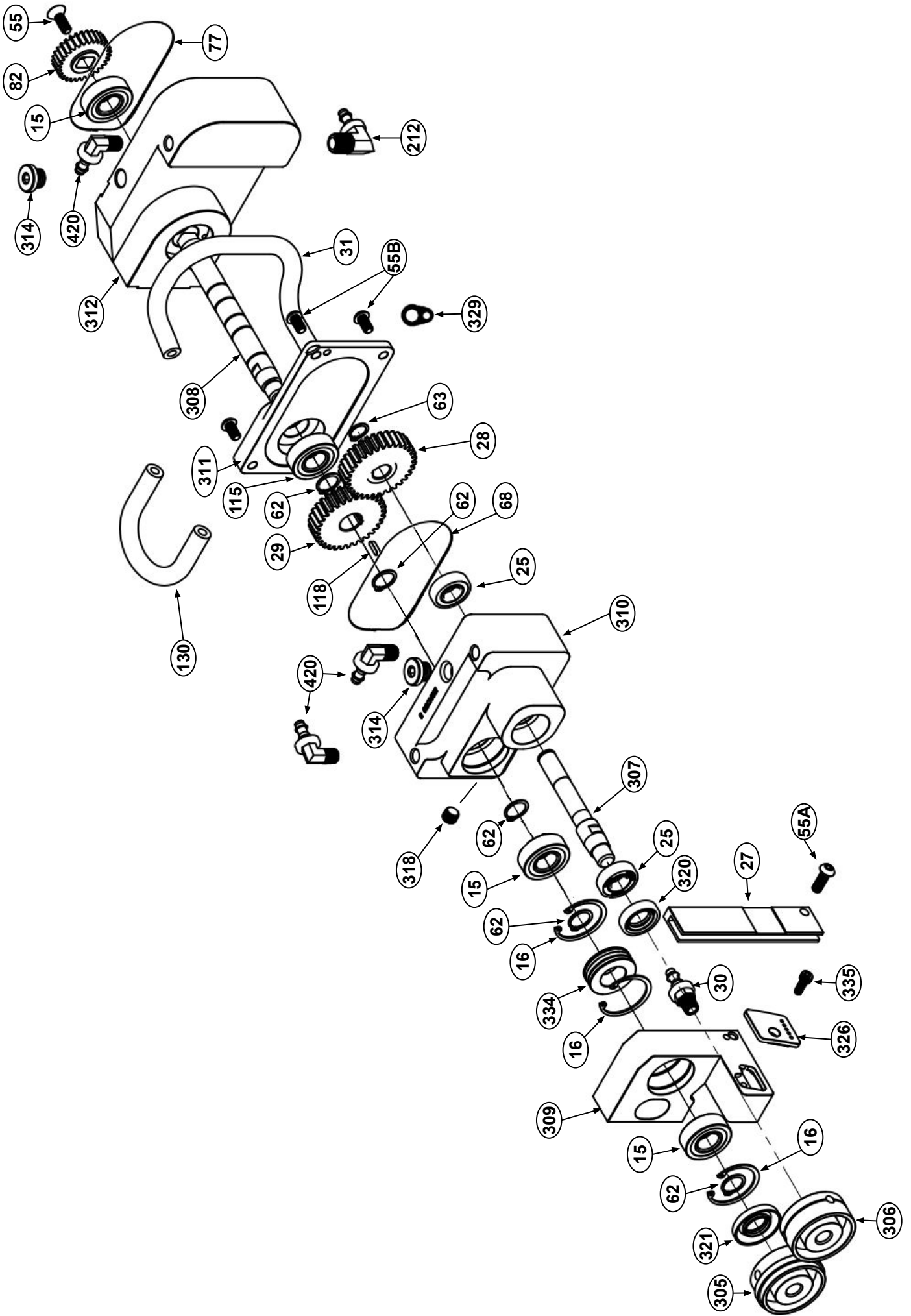


FIG	DP #	QTY	DESCRIPTION
1	6061188	1	Plastic Blade Guard
2	6061189	2	Spring
3	6061190	1	Upper Guard
8	6061194	1	Roller Guide Left Shield
9	6061195	1	Roller Guide Right Shield
10	6061196	1	Roller Guide Front Shield
15	6061365	4	Bearing
16	2507020	2	C-Clip (1-3/8" int.)
18	6061198	1	Lower Bracket
19	6061199	1	Roller Tensioner
21	6061201	1	Roller Tensioner Spring
22	6061202	1	Spring #2
25	6061366	2	Bearing
27	6061205	1	Water Channel
28	6061206	1	Spur Gear #1
29	6061207	1	Spur Gear #2
30	6061208	1	Water Fitting
31	6061209	1	Water Hose
32	6061210	1	Lower Clamp Block
33	6061211	1	Lower Handle Bracket
34	2900077	1	Hex Screw (1/4-20 x 7/8")
35	6061212	1	Lower Guard
36	6061213	1	Rubber Flop Guard
37	6061214	1	Front Handle
38	6061215	1	Washer
54	6061221	1	Top Handle Bracket
55	6061367	14	Flat Socket Cap Screw (1/4-20 x 3-4")
55A	6061487	10	Button Socket Cap Screw
55B	6061484	1	Button Socket Cap Screw
56	6061368	6	Button Socket Cap Screw (1-4/20 x 1/2")
57	2900247	2	Socket Cap Screw (1/4-20 x 3/4")
59	2900018	2	Nylon Lock Nut (3/8-16)
59-1	6061485	2	Bolt
61	2900427	1	Button Head Screw (1/4-20 x 3/4")
62	6061369	5	C-Clip
63	2500364	1	C-Clip (5/8" ext.)
68	2505124	1	O-Ring
69-2	6061223	1	1/2 Hydraulic Valve Body
70	6061224	1	Red Trigger
71	6061225	1	Plunger
72	6061226	1	Gear Box Cover & Stem
74	6061228	1	Valve Cap
75	6061229	1	Spring
76	6061230	1	Stem Block
77	2505125	1	O-Ring
78	6061488	2	Lock Washer
79	2505126	1	Quad Seal (5/8 x 3/4")
80	2706791	1	Quad Seal (7/16 x 3/32")

82	6061231	1	Small Gear
83	6061232	1	Large Gear
85-2	6061373	2	1/2 Hose Assembly
86-1	6061234	1	8 GPM Cassapa Motor
87	2900088	5	Handle Bolt (1/4-20 x 1)
88	6061235	1	Handle
90-2	6061375	2	1/2" Hose Assembly
91	6061238	1	Small Heat Insulator
92	6061239	1	Large Heat Insulator
93	2903250	2	Socket Cap Screw (10-32 x 7/8)
116	6061360	1	Top Bracket & Pin
116-1	6061486	1	Dowel Pin
117	2901754	1	Button Head Screw
118	2901599	2	Key Way (1/8 x 1/8 x 3/8")
119	2900134	1	Trigger Lock Spring Pin (3/16 x 1")
120	6061245	1	Trigger Lock
121	6061246	1	Guard Stopper Pin
122	6061247	1	Trigger Lock Spring
123	3200105	1	Hydro Male Coupler
124	3200104	1	Hydro Female Coupler
130	6061250	1	Rubber Hose
132	6065014	4	U-Plate Screw
134	6061353	1	20" Wing support
135	6061354	1	16" Wing Support
136	6061357	1	20" Full Center Support
137	6061356	1	16" Full Center Support
138	6061251	1	Upper Clamping Block
161	6061375	1	Water Hose Assembly
300	6000061	2	Full Guide Roller Assembly
301	6000062	2	Right Guide Roller Cover
302	6000063	2	Left Guide Roller Cover
303	6000064	2	Guide Roller Bearing & O-Ring
304	6000065	2	U-Plate With Bolts
305	6000066	1	Threaded Drive Roller With Lip
306	6000067	1	Threaded Drive Roller Smooth
307	6000068	1	Small Roller Shaft
308	6000069	1	Large Roller Shaft
309	6000070	1	Cooling Block
310	6000071	1	Front Transmission
311	6000093	1	Red Transmission Cover <2023
312	6000073	1	Gear Box
313	6000074	1	Base Plate
314	6000075	2	Oil Plug
315	6000076	4	Guide Roller O-Ring
316	6000077	4	Guide Roller Bearing
317	6000078	2	Guide Roller
318	6000079	1	Brass Plug

319	6000080	2	Adjustable Roller Arm
320	6000081	1	Oil Seal
321	6000082	1	Modified Oil Seal
326	6061474	1	Skid plate
328	6000089	1	Pusher Bolt
329	6000090	1	Tear Drop
335	6065013	1	Skid Plate Screw
420	6000079	1	1/8 Brass Fitting

Not Shown

86-3-2	6061276	1	Seal Kit, 8 & 12 GPM Motors
86-5-2	6061482	1	High Pressure Seal, 8 & 12 GPM Motors
86-7-2	6061483	1	Wiper Seal, 8 & 12 GPM Motors
322	6000094	1	Bearing & Seal kit <2023
323	6000084	1	Gear Box Complete <2023
324	6000085	1	Water Valve Complete
325	6000086	1	DragonSaw Multitool
327	6000088	1	Front Cover Assembly
334	6000092	1	Dual Seal <2023

EQUIPMENT AND PARTS WARRANTY

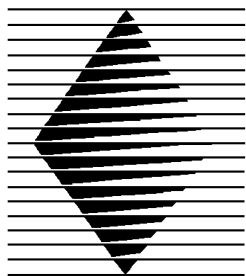
Diamond Products warrants all equipment manufactured by it against defects in workmanship or materials for a period of 90 days from the date of shipment to Customer.

The responsibility of Diamond Products under this Warranty is limited to replacement or repair of defective parts at Diamond Products' Elyria, Ohio factory, or at a point designated by it, of such parts as shall appear to us upon inspection at such parts, to have been defective in material or workmanship, with expense for transportation and labor borne by Customer.

In no event shall Diamond Products be liable for consequential or incidental damages arising out of the failure of any Product to operate properly.

Integral units such as engines, electric motors, batteries, transmissions, etc., are excluded from this Warranty and are subject to the prime manufacturer's warranty.

THIS WARRANTY IS IN LIEU OF ALL OTHER WARRANTIES, EXPRESSED OR IMPLIED, AND ALL SUCH OTHER WARRANTIES ARE HEREBY DISCLAIMED.



DIAMOND PRODUCTS

333 Prospect Street, Elyria, Ohio 44035
(440) 323-4616 • (800) 321-5336 • Fax (440) 323-8689
www.diamondproducts.com