



**HYDROSTRESS  
PARTS LIST**

**CCH25/CCE25  
WIRE SAW**

**DECEMBER, 2023**



# Table of Contents

<u>Description</u>	<u>Page No.</u>
1. Safety Information .....	4-5
2. Breakdown.....	6-15
3. Deflection Pulley.....	16-17
4. Conversion.....	18-19
5. WSE1621 Adapter .....	20-22

# Spare Parts List

## How to use the spare parts list

The spare parts list is not intended as instructions for assembly or dismantling work. It is exclusively intended to help you to quickly and easily find spare parts, which can then be ordered at the address below.

## Safety regulations



### Danger

The assembling or dismantling of modules can involve risks which are not identified in this spare parts list.  
The use of this spare parts list for assembly or dismantling purposes is strictly forbidden. For assembly or dismantling tasks it is essential to only follow the corresponding descriptions in the operating manual.  
If this regulation is not heeded injuries may be incurred which in the worst case can also be fatal.

## Ordering



### Information

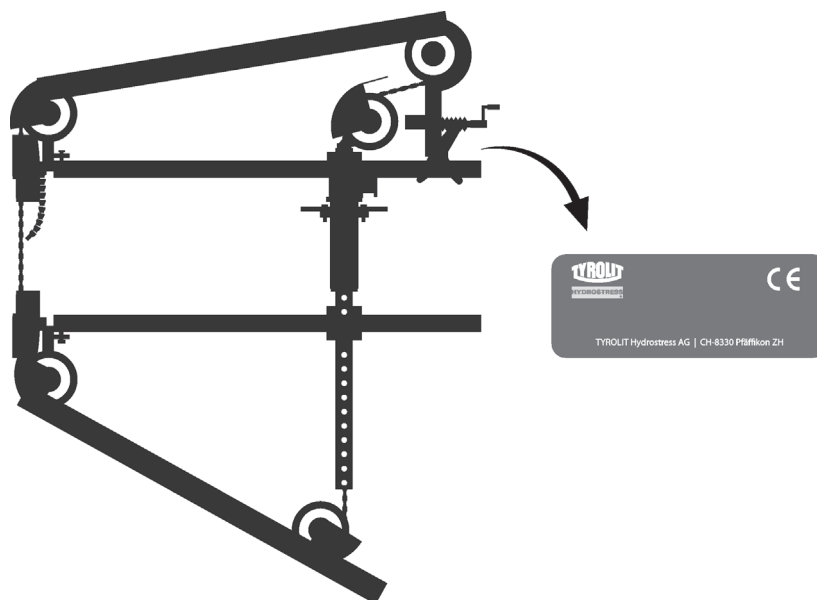
To avoid incorrect deliveries you should check the order details for correctness and completeness (see under ordering details) prior shipment.  
You should ensure that the delivery address is given in full.

## Order address

TYROLIT Hydrostress AG  
Witzbergstrasse 18  
CH-8330 Pfäffikon  
Switzerland  
Tel. +41 (0) 44 / 952 18 18  
Fax +41 (0) 44 / 952 18 00  
e-mail: [info@tyrolit.com](mailto:info@tyrolit.com)  
[www.tyrolit.com](http://www.tyrolit.com)

## Spare Parts List

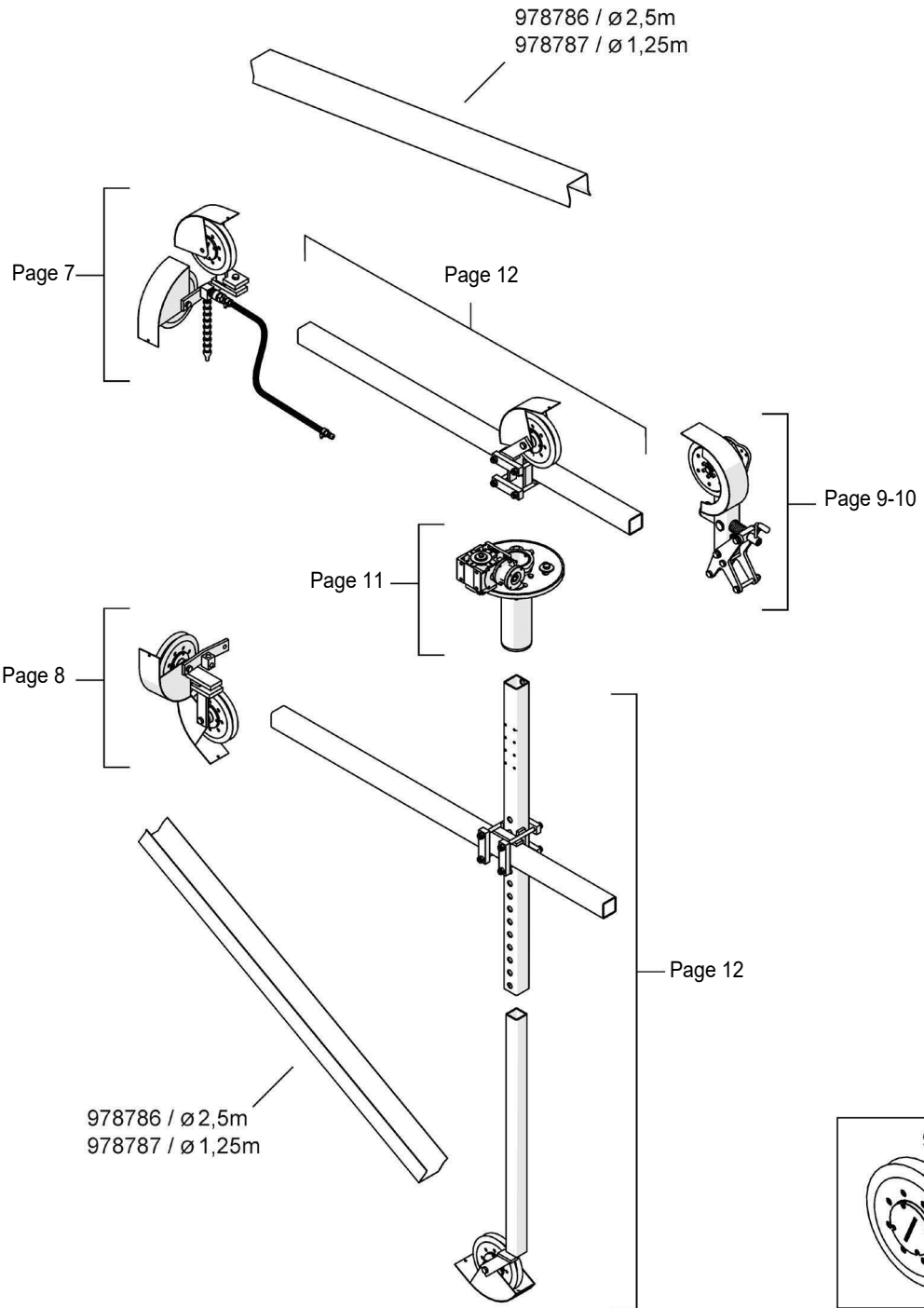
### Ordering details

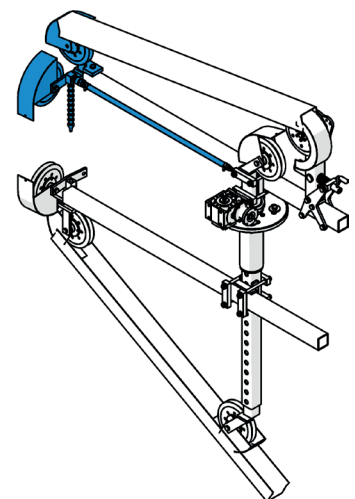
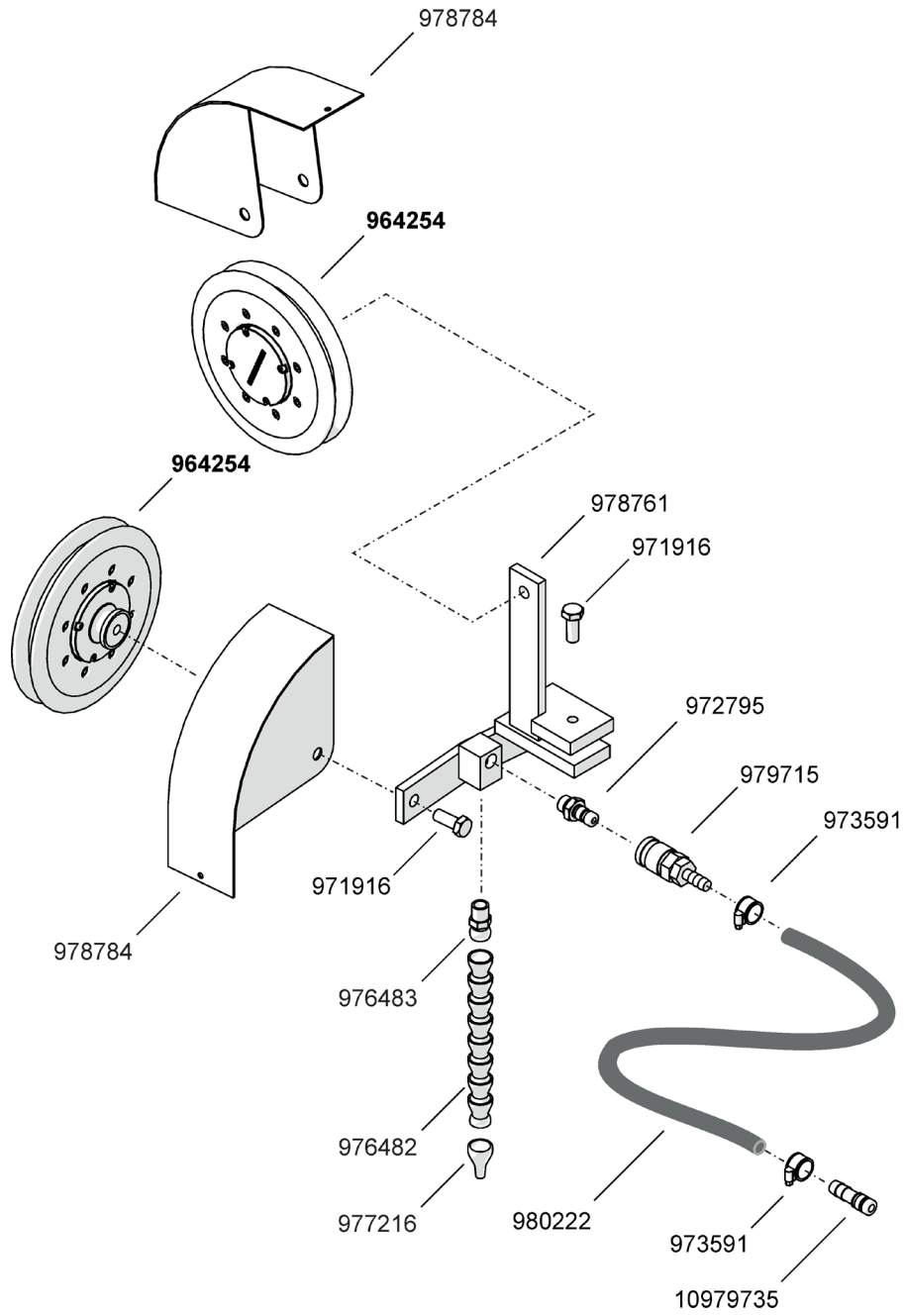


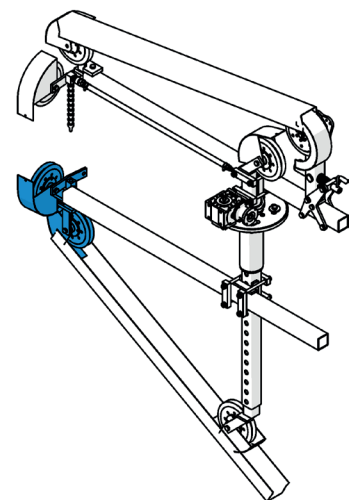
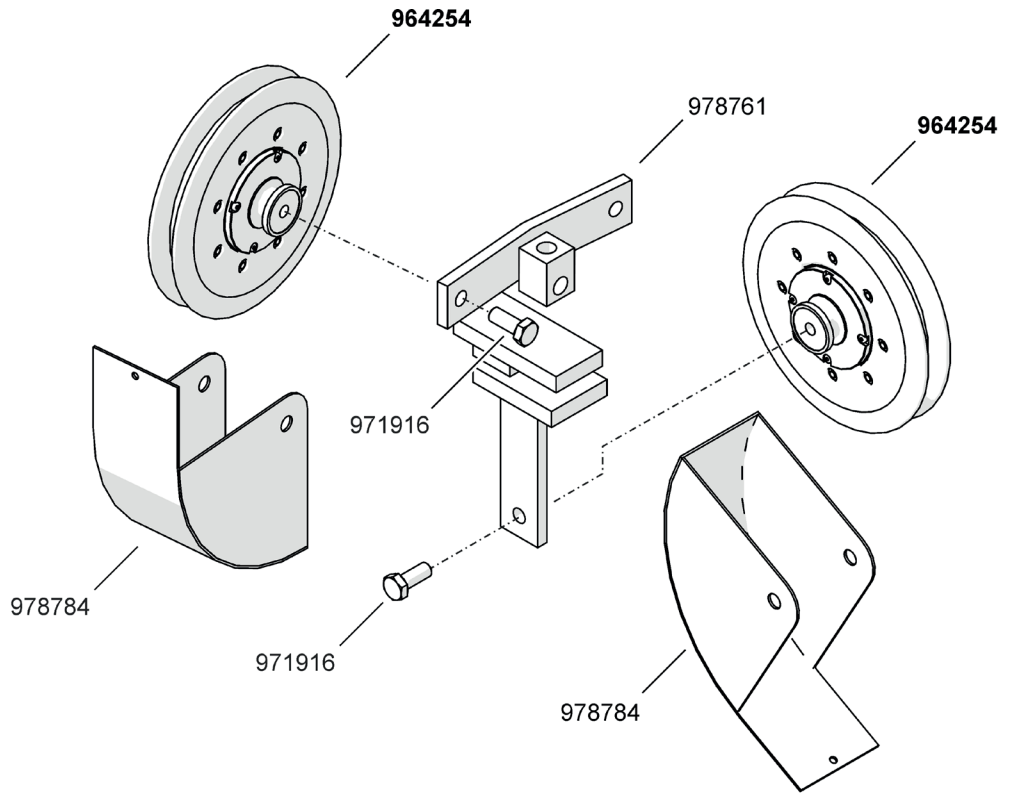
When spare parts are ordered we need the following details:

- Machine type according to nameplate (e.g. z.B. CCH25)
- Machine number according to nameplate (e.g. 967610)
- Machine index according to nameplate (e.g. 003)
- Spare part number according to the spare parts list (e.g. 961901)

For orders, questions and information please contact your responsible branch office.

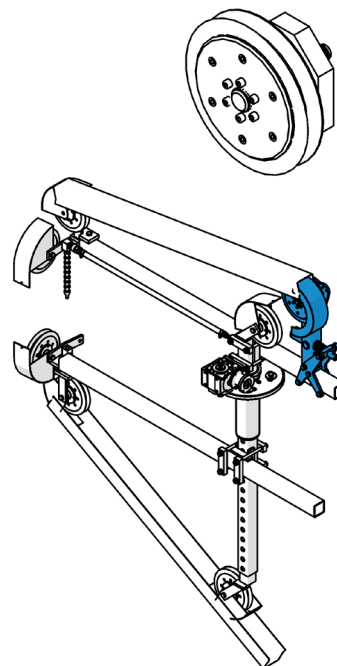
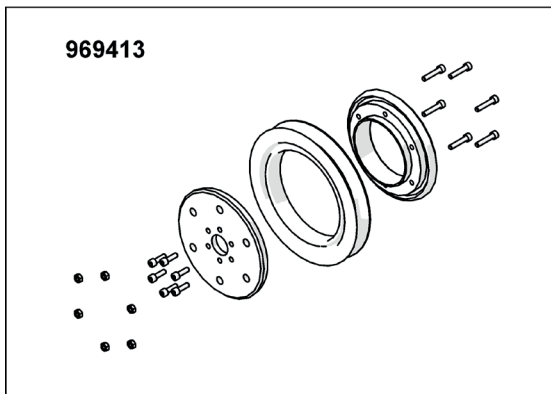
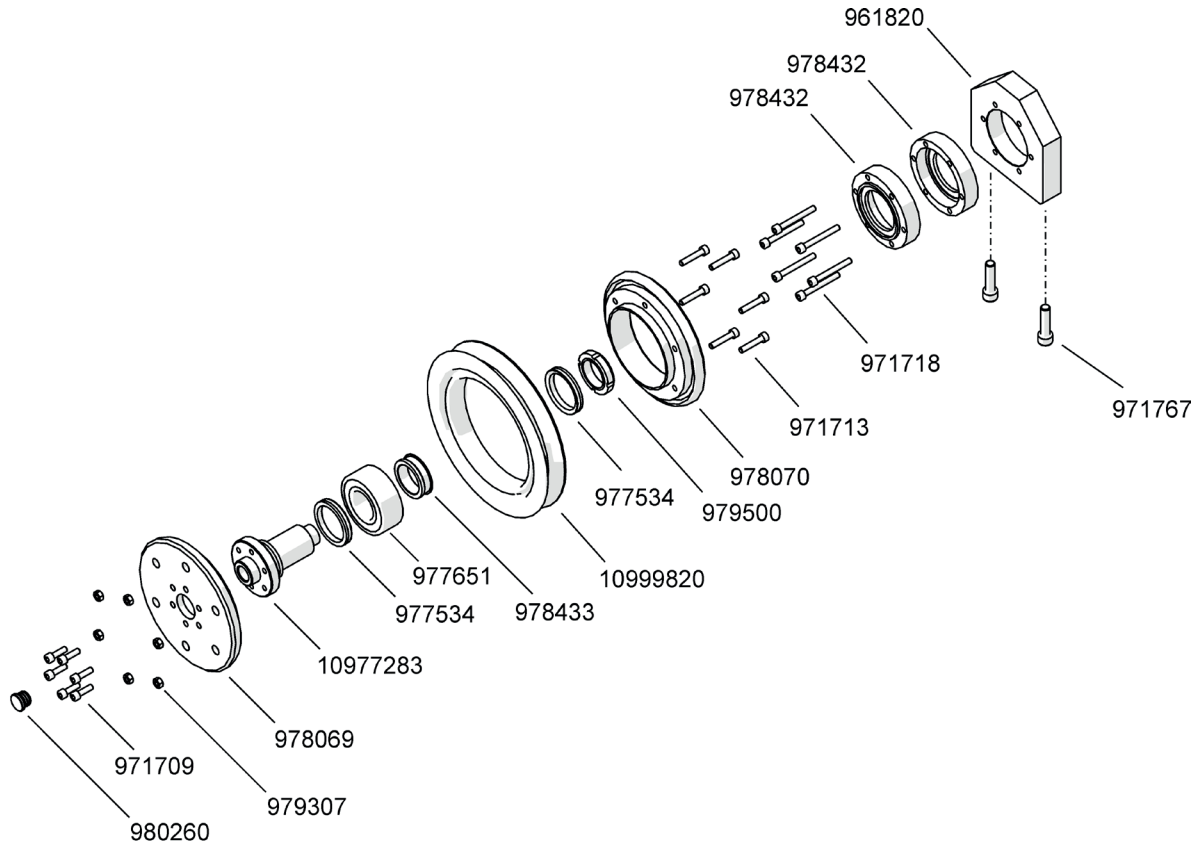


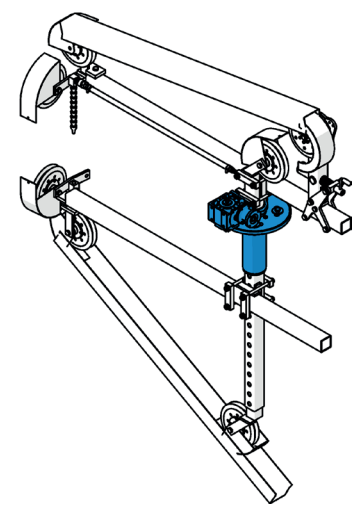
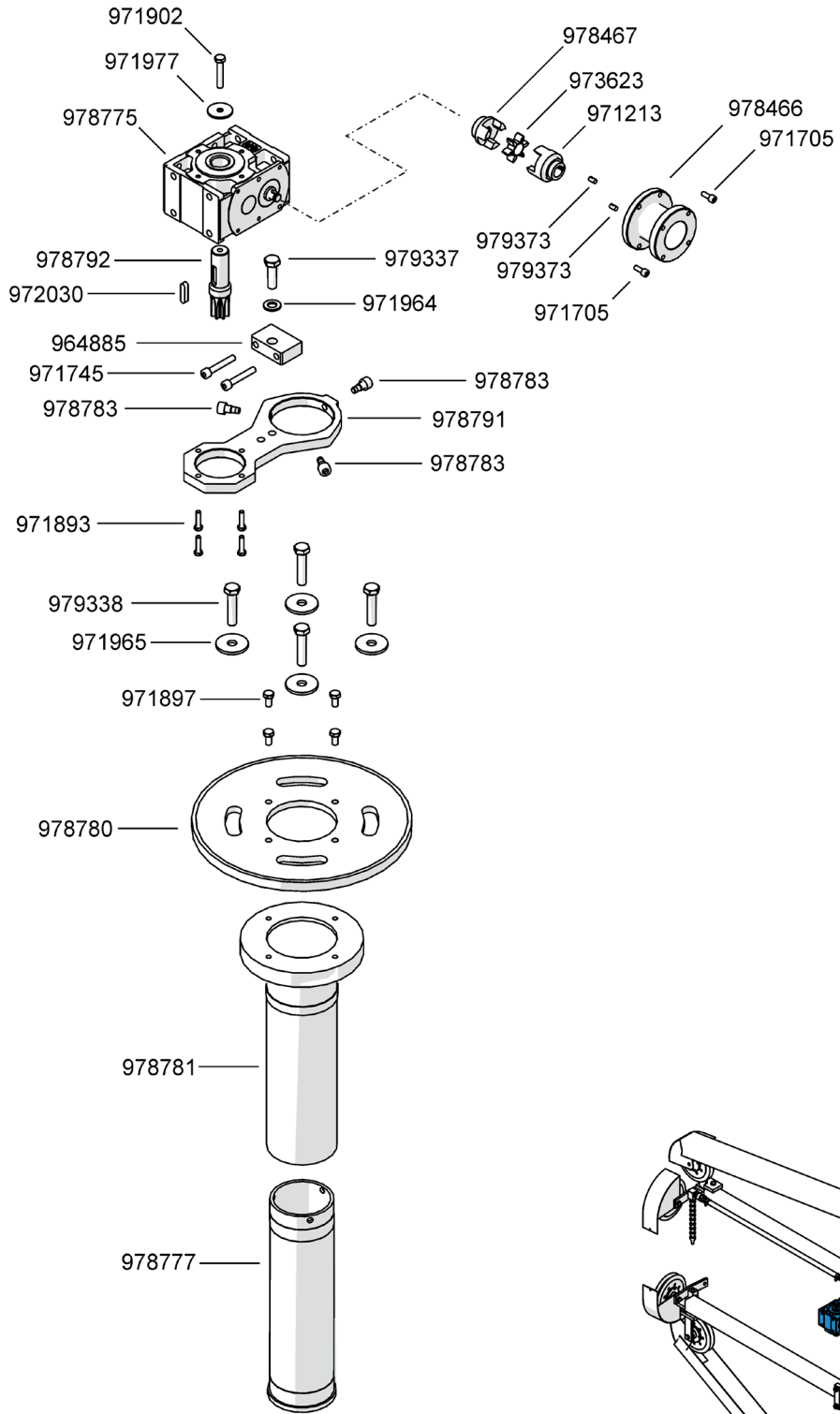


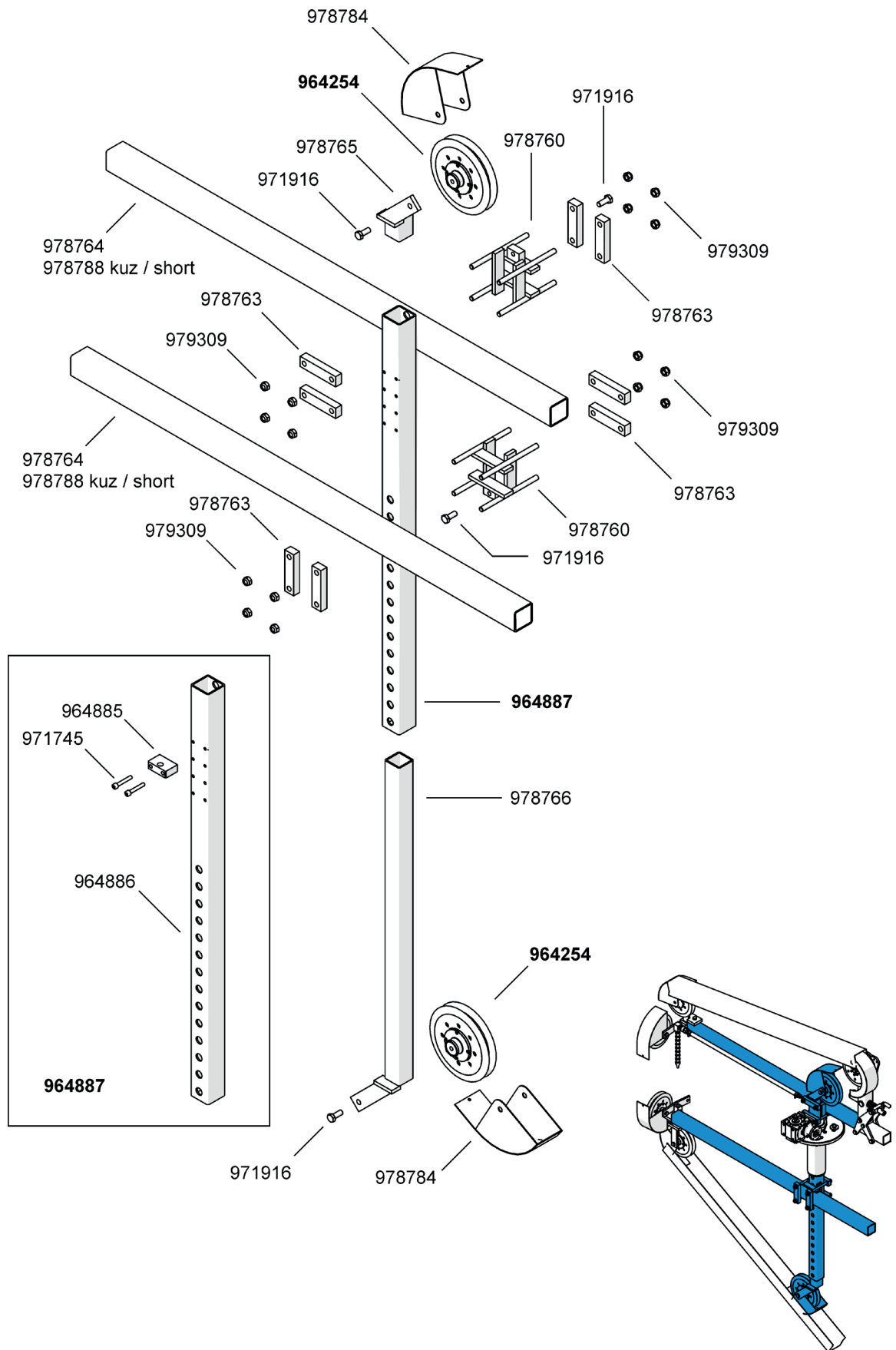










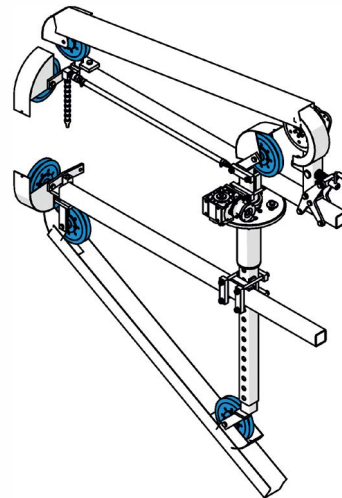
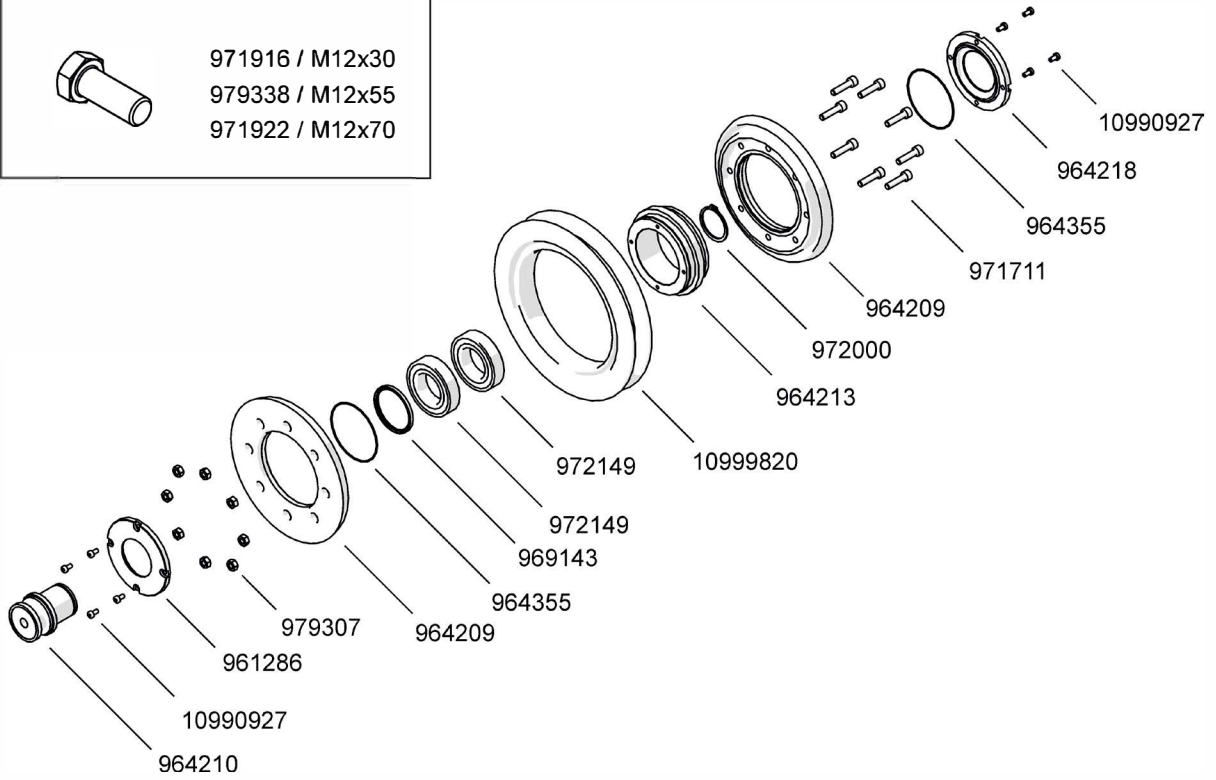
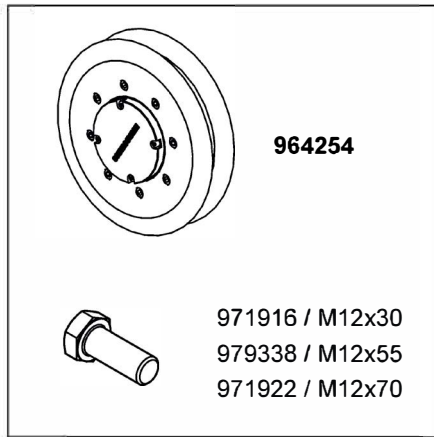


TYROLIT No.	DP No.	Description	QTY
964254	3401943	Deflection pulley dia 200	6
964887	3400182	Central tube assy	1
10989180	3408089	Wire tensioner assy	1
961806	3408090	Rubber band L800	4
961820	3408091	Flange	1
969413	3401019	Pully Ø200 kpl.	1
970697	3400110	Crank BI cpl.	1
971213	3400339	Coupling Danfoss BC/BY	1
971703	3401046	Soc Capscrew M6x10	1
971705	3400693	Soc Capscrew M6x16	5
971709	3403487	Soc Capscrew M6x20	6
971713	3400085	Soc Capscrew M6x30	6
971718	3403240	Soc Capscrew M6x50	6
971767	3408092	Soc Capscrew M10x40	2
971849	3402015	Hexagon nut M12	3
971893	3403213	Hex. screw M6x25	4
971897	3408093	Hex. screw M8x16	4
971902	3408094	Hex. screw M8x45	1
971916	3403479	Hex. screw M12x30	8
971922	3401165	Hex. screw M12x70	1
971964	3403389	Washer M12 13/24/2.5	7
971965	3403024	Washer M12 13/45/4	4
971977	3408095	Washer M8 8.4/35/2.5	1
971986	3401506	Grooved nail 4x8	4
971998	3402040	Circlip shaft dia 30	2
972030	3408096	Shaft key 8x7x32	1
972795	3400427	Plug nipple 3/8 A 1-WR	1
973591	3403675	Hose clip JCS 17-25	2
973623	3400338	Star coupling plate	1
975924	3402010	TY-HS type plate 80x30	1
976087	3401127	HS-Logo Sticker 280/60	8
976482	3401175	Loc-Line link large	8
976483	3403016	Loc-Line nipple	1
977216	3400769	Loc-Line nozzle 6 mm 1/2	1
977534	3401116	V-seal	2
977651	3401945	Ang.ball bearing 3207-2RS	1
978069	3408097	Flange	1

TYROLIT No.	DP No.	Description	QTY
978070	3408098	Ring	1
978191	3404071	Latch plate	1
978432	3403243	Retaining ring	2
978433	3403242	Spacer ring	1
978466	3408099	Danfoss flange	1
978467	3403316	Coupling hub	1
978760	3401266	Pipe crosspiece	2
978761	3403408	Cut roll mounting	2
978763	3401267	Crossclamp	8
978764	3400936	Extension tube	2
978765	3401200	Roll holder short	1
978766	3408011	Roll holder long	1
978767	3408100	Swivel plate	2
978769	3408101	Swivel block	1
978770	3404111	Runner sleeve	4
978771	3408102	Threaded bearing	1
978772	3408103	Spacer tube	1
978773	3408104	Handle mount	1
978774	3408105	Spindle	1
978775	3403297	Worm drive RV40	1
978777	3403289	Central tube	1
978780	3401256	Spur wheel	1
978781	3403290	Support	1
978783	3408106	Socket screw	3
978784	3403198	Spray guard	6
978785	3403199	Spray guard	1
978786	3403200	Spray duct Ø 2,5m	2
978787	3403201	Spray duct Ø 1,25m	2
978788	3400937	Extension tube short	2
978791	3403296	Feed plate	1
978792	3408107	Drive pinion	1
979307	3402059	Hexagon nut M6	6
979309	3401921	Lock nut M12 thin head	16
979337	3402151	Hex. screw M12x40	1
979338	3403236	Hex. screw M12x55	4
979341	3408108	Hex. screw M12x100	3
979373	3408109	Grooved pin dia 6x12	2

TYROLIT No.	DP No.	Description	QTY
979500	3403239	Lock shaft nut M35x1.5	1
979715	3408110	Hose coupling 0-SL013	1
980222	3408111	Hose No. 525, 5m Long	1
980256	3408112	Bellows	1
980260	3403245	Lamellar plug 20	1
980262	3408113	Lamellar plug 50	1
10977283	3408114	Drive shaft click-mount	1
10979735	3403722	Hose nipple 1-SL013	1
10999820	3402055	Rubber Lining 200 PUR 70	1
<b>964887</b>	<b>3400182</b>	<b>Central tube assy</b>	
964885	3408028	Splice bar	1
964886	3408115	Central pipe	1
971745	3400145	Soc Capscrew M8x50	2

# Deflection Pulley





## Deflection Pulley

TYROLIT No.	DP No.	Description	QTY
<b>964254</b>	<b>3401943</b>	<b>Deflection Pulley dia 200</b>	
961286	2702792	Cover rear	6
964209	3401059	Rim	12
964210	3400856	Bolt	6
964213	3401186	Bearing bush	6
964218	3402156	Cover front	6
964355	2702791	O-ring 62.00x1.50 N 70	12
969143	3401866	Sealing ring dia 45x52x4	6
971711	3400865	Soc Capscrew M6x25	48
971916	3403479	Hex. screw M12x30	6
971922	3401165	Hex. screw M12x70	6
972000	3400857	Circlip shaft dia 35	6
972149	3402057	Gr. ball bearing 6007-2RS	12
979307	3402059	Hexagon nut M6	48
979338	3403236	Hex. screw M12x55	6
10990927	3403920	Socket screw flhd M4x8	48
10999820	3402055	Rubber Lining 200 PUR 70	6



976160



PPH20..



976162



PPH25..



976163



PPH40..



WSE1621\*\*\*

WSE1217\*\*\*

11000348/  
3404368

10997955

10988900

10991714

973892

4x  
971705

978191

10993878

10981580



Conversion Kit

CCH25\*\*\* → CCE25\*\*\*

10993879 / 3404128

CCE25\*\*\* → CCH25\*\*\*

3408133

10981577

971725

10994763

980260

10983881

980759



CCE25 / CCH25

## Conversion

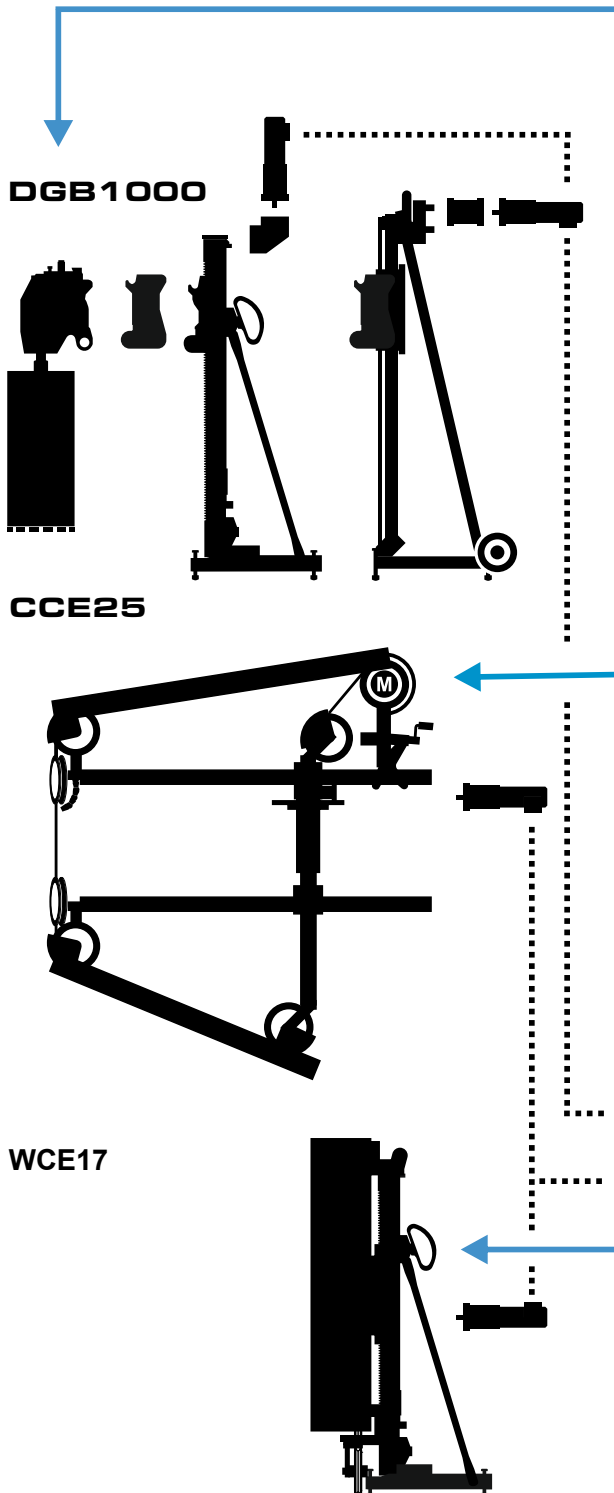
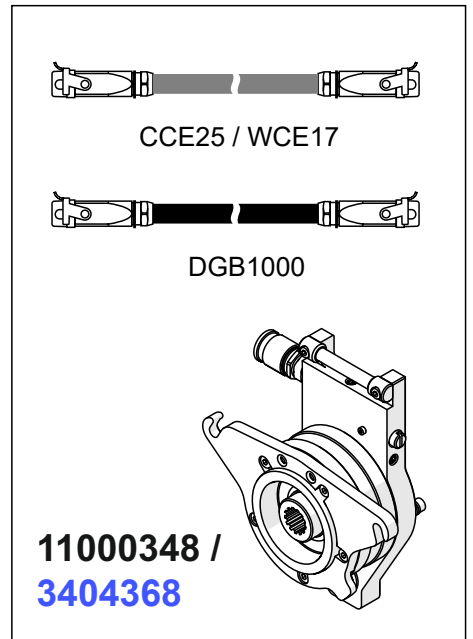
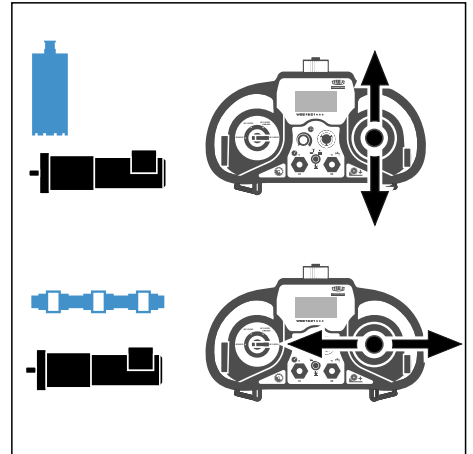
TYROLIT No.	DP No.	Description	QTY
973892	3402089	Quick Disconnect/Size 2 Motors	
976160	3401964	Motor Complete B/S 16CCFD	
976162	3400137	Hydraulic Motor 22CC, w/ Fittings	
976163	3400144	Hydraulic Motor 30CC, w/ Fittings	
980260	3403245	Plug	
980759	3402095	Hydraulic Motor 50CC	
10979038	3401216	Main Motor, WX-15	
10981575	3408117	WX Circular Wire Saw Shaft	
10986100	3408120	El. Motor 400V WSE1620	
10988900	3403291	Main Motor, WSE1217	
<b>10993879</b>	<b>3404128</b>	<b>Conversion Kit, CCH25 to CCE25</b>	
		<b>Included Parts</b>	
971725	3408116	Soc Capcrew M6x90	1
971711	3400865	Soc Capscrew M6x25	3
971823	3403839	Countersunk Screw M6x20	2
979284	3400606	Soc Capscrew M8x25	2
10981577	3408118	Pin	1
10981578	3408136	Motor Arrestor	1
10981579	3408135	Adapter Plate, WX Motor	1
10981580	3408086	Distance Bushing	1
10983881	3408119	Spacer Ring	1
10991714	3408121	Drive Shaft, CCE25P	1
10993878	3408130	Adapter, WX-15, WSE1620,WSE1217	1
10994762	3408134	Rotex Coupling CCE25	1
10994763	3408087	El. Motor Drive WSE/CCE25	1
11000348	3404368	Universal Adapter, WSE1621 Motor	1
<b>N/A</b>	<b>3408133</b>	<b>Conversion Kit, CCE25 to CCH25</b>	
		<b>Included Parts</b>	
971213	3400339	Danfoss Coupling	1
971705	3400693	Soc Capscrew M6x16	4
973892	3402089	Quick Disconnect/Size 2 Motors	1
976162	3400137	Hydraulic Motor 22CC, w/ Fittings	1
978191	3404071	Latch Plate	1
980759	3402095	Hydraulic Motor 50CC	1

# Mounting kit

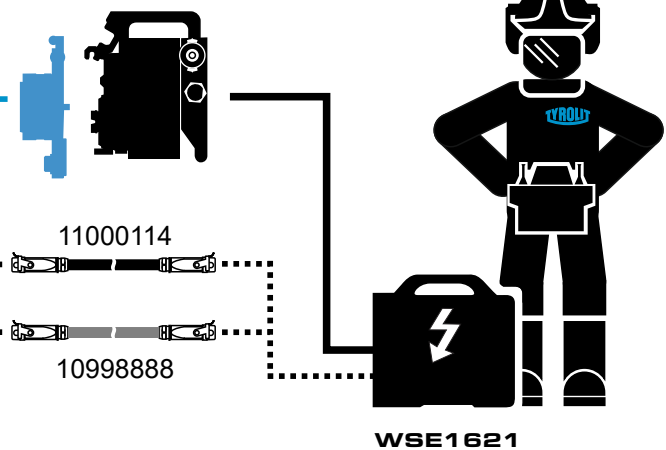
WSE1621 with DGB1000

WSE1621 with CCE25

WSE1621 with WCE17

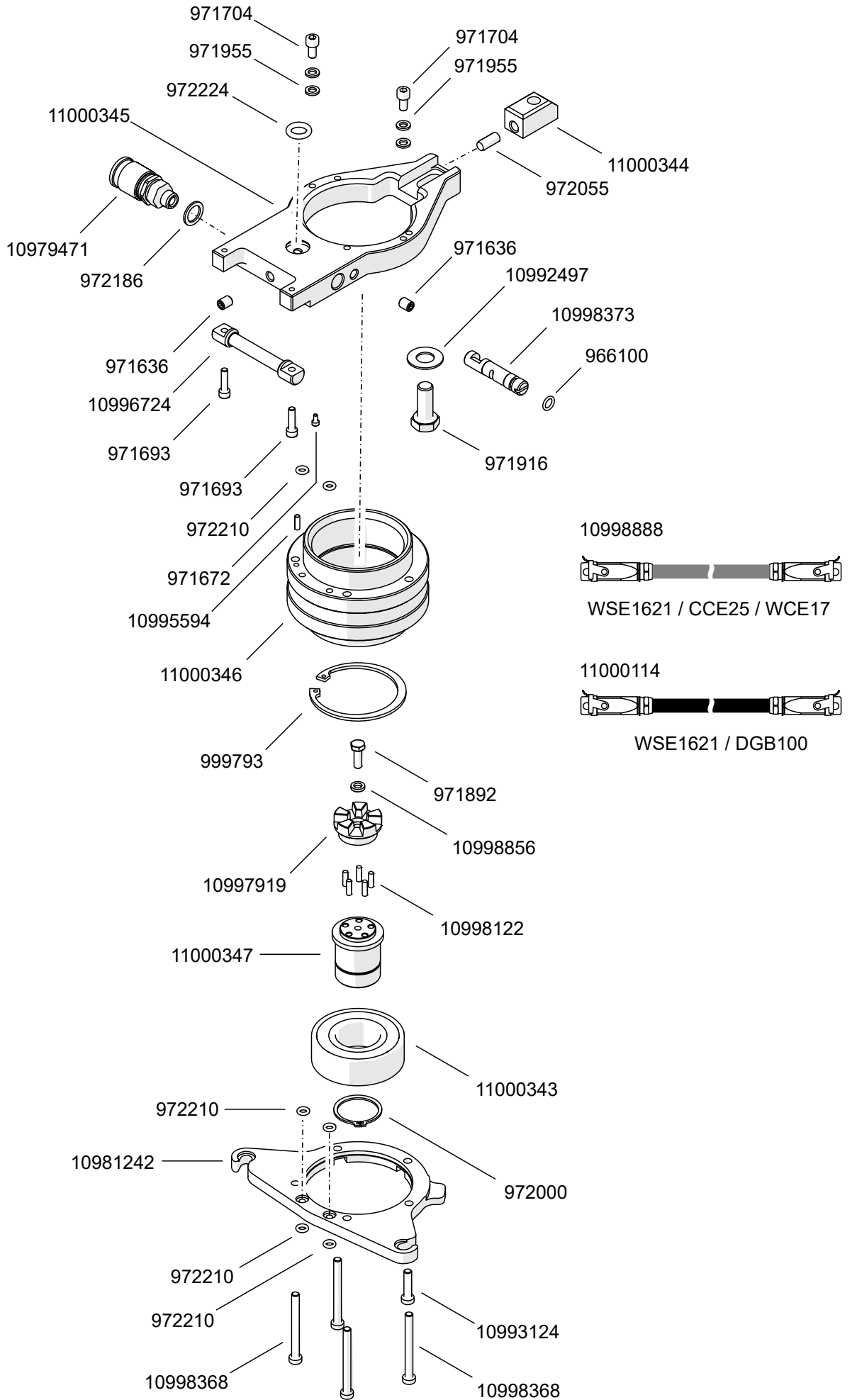


WSE1621



WSE1621

# Universal Adapter WSE1621 Motor



## Universal Adapter WSE1621 Motor

TYROLIT No.	DP No.	Description	QTY
<b>11000348</b>	<b>3404368</b>	<b>Universal Adapter WSE1621 Motor</b>	
966100	3401400	O-Ring 8.02 x 2.0mm N70	1
971636	3401264	Threaded Pin M8 x 10	2
971672	3403829	Soc Capscrew M3 x 6	1
971693	3403669	Allen Head Screw M5 x 20	2
971704	3402011	Soc Capscrew M6 x 12	2
971892	3403322	Hex Screw M6 x 18	1
971916	3403479	Hex Screw	2
971955	3402043	U-Washer, Type M6	4
972000	3400857	Snap Ring	1
972055	3401913	Straight Pin	1
972186	3402099	Copper Washer	1
972210	3400501	O-Ring 5 x 2.5mm	6
972224	3404206	O-Ring 12 x 4mm N70	1
999793	3403333	Retaining Ring	1
10979471	3403707	Coupling	1
10981242	3403735	Motor Plate	1
10992497	3408122	Disk Spring d.28/14.2/1.5	1
10993124	3408123	Socket Screw, Flat Head M6x25	1
10995594	3408131	Pin	1
10996724	3404294	Crossbar	1
10997919	3404316	Claw Coupling	1
10998122	3404319	Straight Pin 4h6 x 14	5
10998368	3408124	Socket Screw, Flat Head M6x60	4
10998373	3408132	Water Control Valve	1
10998856	3404325	Washer, Nord-Lock M6	1
10998888	3401972	Cable, CCE25/WCE14/WCE8	1
11000114	3401994	Cable, DGB1000	1
11000343	3408125	Gr. Ball Bearing 4207-2RS	1
11000344	3408126	Clamping Claw	1
11000345	3408128	Plate	1
11000346	3408129	Flange	1
11000347	3408127	Adapter Shaft	1



## **EQUIPMENT AND PARTS WARRANTY**

Diamond Products warrants all equipment manufactured by it against defects in workmanship or materials for a period of 90 Days from the date of shipment to Customer. The responsibility of Diamond Products under this Warranty is limited to replacement or repair of defective parts at Diamond Products' Elyria, Ohio factory, or at a point designated by it, of such parts as shall appear to us upon inspection at such parts, to have been defective in material or workmanship, with expense for transportation and labor borne by Customer. In no event shall Diamond Products be liable for consequential or incidental damages arising out of the failure of any Product to operate properly.

THIS WARRANTY IS IN LIEU OF ALL OTHER WARRANTIES, EXPRESSED OR IMPLIED, AND ALL SUCH OTHER WARRANTIES ARE HEREBY DISCLAIMED.



333 Prospect Street, Elyria, Ohio 44035  
(440) 323-4616 • (800) 321-5336 • Fax (800) 634-4035  
[www.diamondproducts.com](http://www.diamondproducts.com)