



**CORE CUT
PARTS LIST**

CC4948DCV-3

FEBRUARY 2024

Part #: 1804948-11

CC4948

48HP Walk Behind Saw

WARNING! NEVER EXCEED THE MAXIMUM RPM STAMPED ON THE BLADE! EXCESSIVE SPEED CAN CAUSE BLADE BREAKAGE RESULTING IN SERIOUS PERSONAL INJURY OR DEATH.

BLADE SIZE	BLADE RPM	GEAR POSITION	ENGINE RPM	MAX CUT DEPTH
14"	2,800	H (HIGH)	2,800	4"
20"	2,600	H (HIGH)	2,600	7"
26"	1,825	M (MEDIUM)	2,800	10"
30"	1,700	M (MEDIUM)	2,600	12"
36"	1,200	L (LOW)	2,800	15"





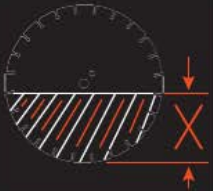
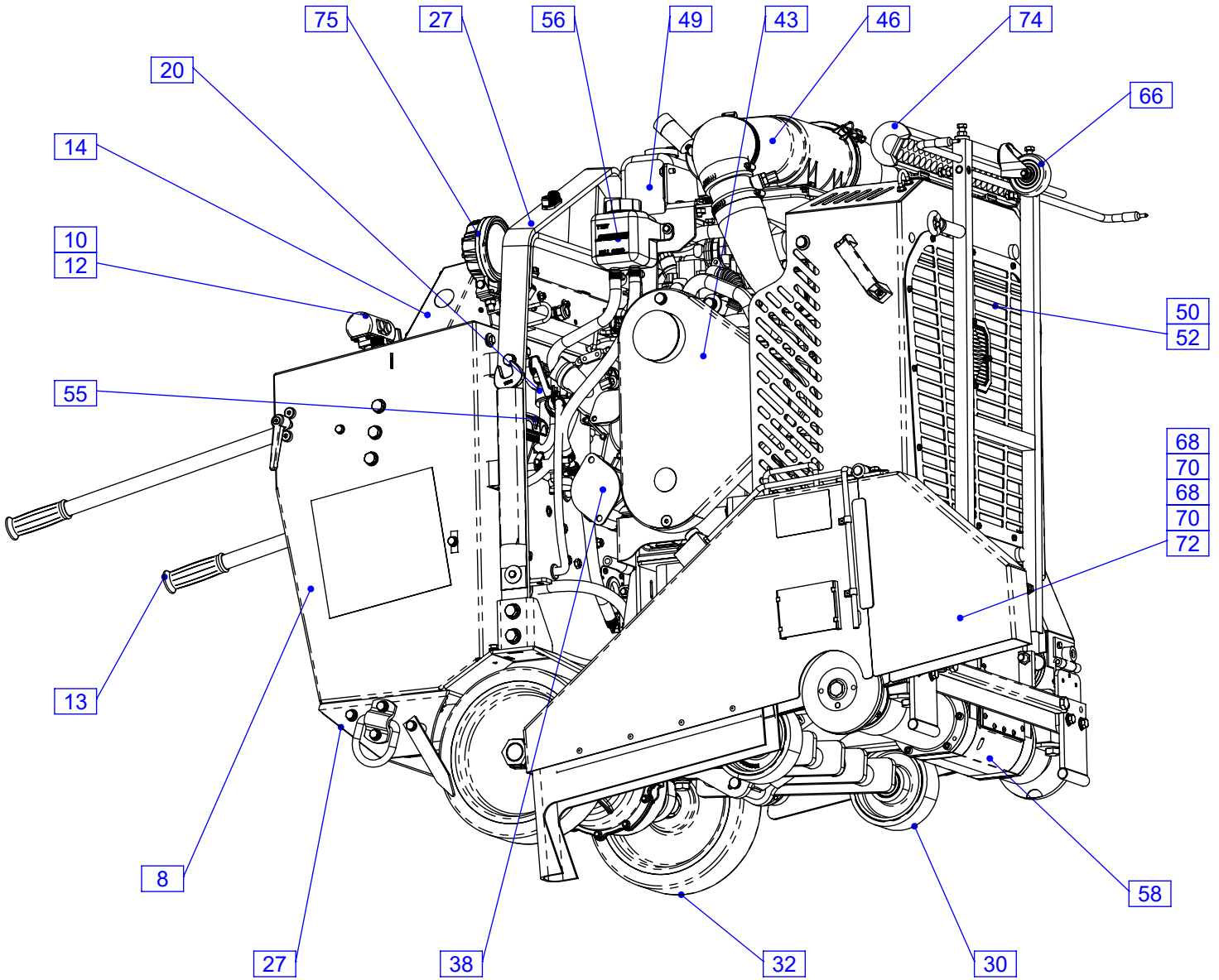
				
---	---	---	---	---

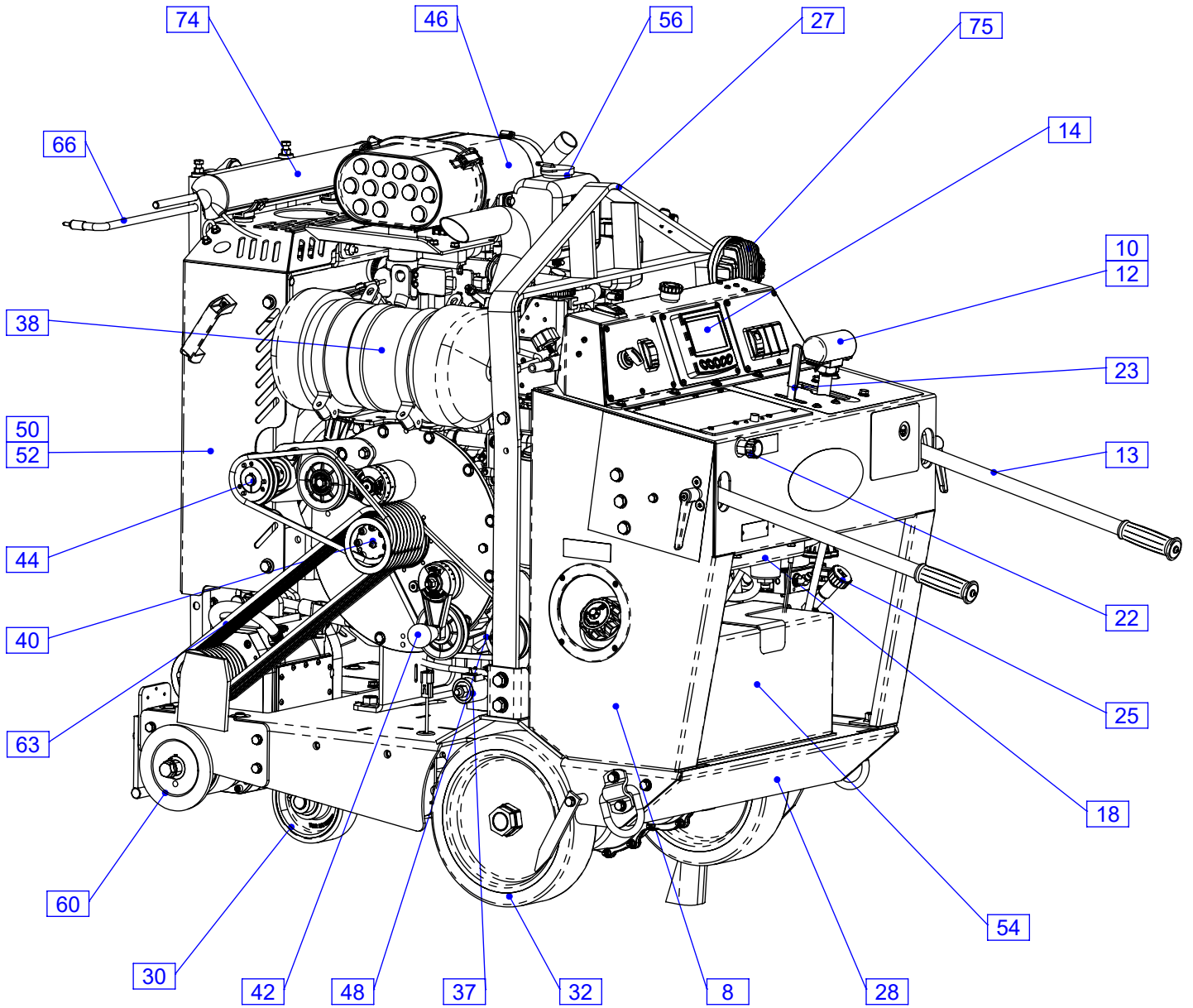
Table of Contents

Pictorial Index.....	4	Air Intake Assembly.....	46
Controls Legend.....	6	Hydro Pump Assembly.....	48
Quick Reference Service Filters / Belts.....	7	Coolant Tank Assembly.....	49
Frame Upright Assembly.....	8	Radiator Assembly.....	50
Speed Control Lever Assembly.....	10	Radiator Shroud Assembly.....	52
Speed Control Grip Assembly.....	12	Fuel Tank Assembly.....	54
Handlebar Assembly.....	13	Filler Spout Assembly.....	55
Display Dash Assembly.....	14	Reservoir Tank Assembly.....	56
Power Block Assembly.....	16	Trans Assembly, 30".....	58
ECM Assembly.....	17	3-Speed Blade Shaft Assembly.....	60
Battery Assembly.....	18	Belt Tensioner Assembly.....	61
Fuel Supply Assembly.....	20	Belt Drive Assembly.....	63
Fuel Cooler Assembly.....	22	Belt Guard Assembly.....	64
Hydraulic Lift Pump Assembly.....	23	Front Pointer Assembly.....	66
Water Supply Assembly.....	24	Rear Cover Screen Assembly.....	67
Water Valve Assembly.....	25	14" Blade Guard Assembly.....	68
Frame Lift Assembly.....	27	20" Blade Guard Assembly.....	69
Frame Base Assembly.....	28	26" Blade Guard Assembly.....	70
Front Axle Assembly.....	30	30" Blade Guard Assembly.....	71
Rotary Sensor Assembly.....	31	36" Blade Guard Assembly.....	72
Transmission, Differential.....	32	Optional Water Pump Assembly.....	73
Differential Assembly.....	34	Optional Light bar Assembly.....	74
Differential Lock Assembly.....	35	Optional Spot Light Assembly.....	75
Valve Block Assembly.....	37	Optional ASO Flow Control Assembly.....	76
Engine Assembly.....	38	Decal Group.....	77
PTO Assembly.....	40	Electric Diagram.....	78
Rotary Tensioner Assembly.....	42	Notes.....	79
Engine Belt Guard Assembly.....	43	Warranty.....	80
Fan Drive Assembly.....	44		

Pictorial Index Page



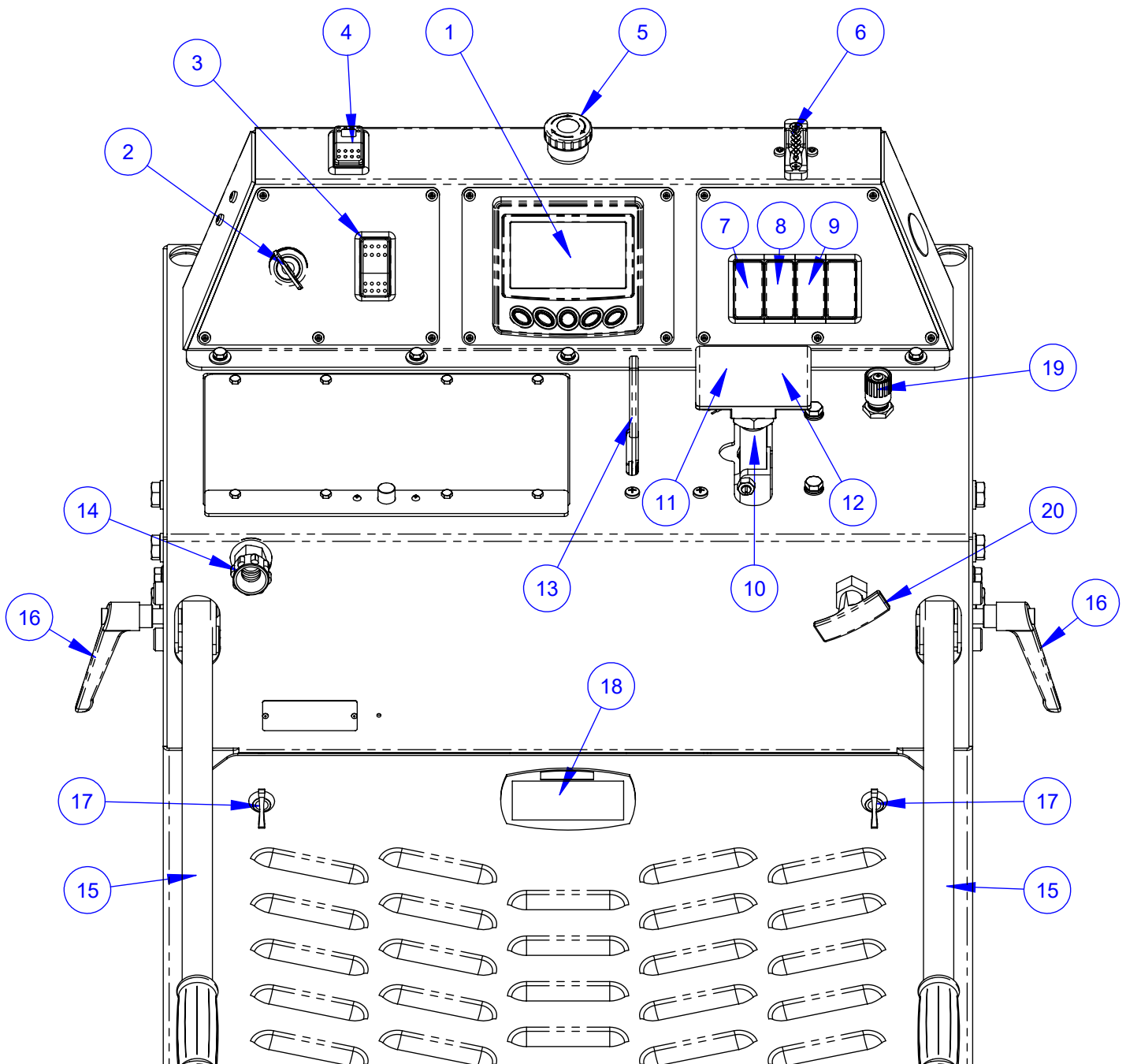
Pictorial Index Page



Controls Legend

1	Engine Display Panel
2	Ignition Switch
3	Engine Throttle Rocker Switch
4	Free Wheel Rocker Switch
5	Emergency Stop Button
6	Pointer Rope Cleat
7	LED Spot Light Switch (Optional)
8	LED Light Bar Switch (Optional)
9	Water Pump Switch (Optional)
10	Travel Speed Control Lever

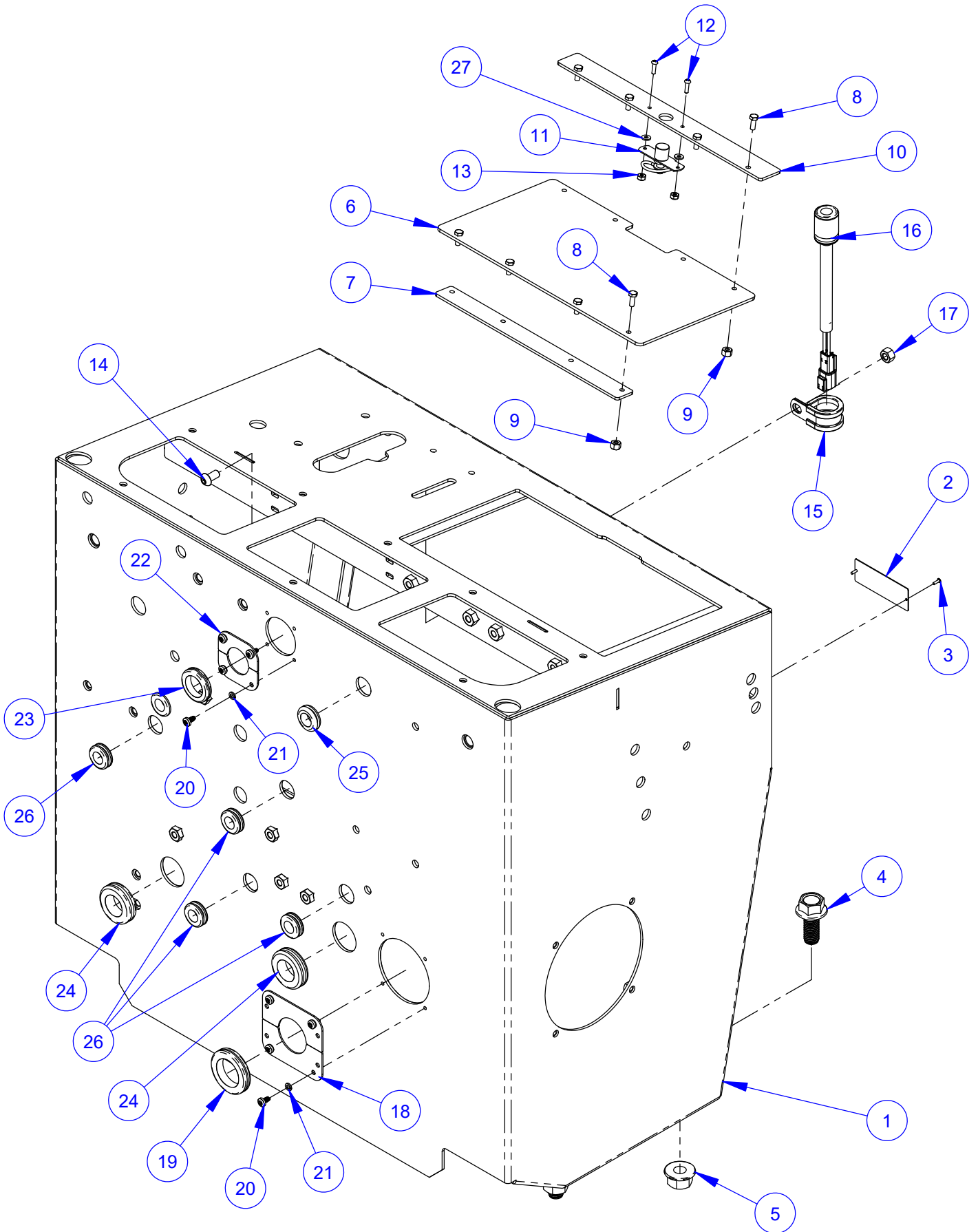
11	Saw Raise Push Button
12	Saw Lower Push Button
13	Water On/Off Control Valve
14	Water Inlet Attachment Fitting
15	Adjustable Handle Bars
16	Handle Bar Lock Lever
17	Rear Cover Screen Latch
18	Rear Cover Screen Pull Handle
19	Lowering Speed Control Knob
20	Differential Lock Knob



Quick Reference Service Filters / Belts / Fluids

DP Part No.	Description	Manufacturer's Part No.
2704918	Engine Oil Filter	CAT #220-1523
2704937	Engine Fuel Filter	CAT #363-5819
2704935	Water Separator Filter	CAT #276-1806
2505161	Blade Shaft Belt (80-83Hz Tension)	Gates #3VX487
2505305	Engine to Hydro Pump Belt	Gates #3VX350
2500035	Engine to Fan Drive Belt	Gates #3VX335
2500468	Engine Oil (6 Quarts)	SAE 15W-40 (API CJ-4)
2503719	Engine Coolant (2 Gallons)	Antifreeze (Pre-mixed)
2500468	Lift Pump Fluid (1.6 Quarts)	SAE 15W-40
2500468	Wheel Motors / Pump Fluid (2 Quarts)	SAE 15W-40
2503930	Right Angle Fan Drive (5 ounces)	SAE 75W-90 Synthetic
2503930	Differential Gear Drive (1 Quart)	SAE 75W-90 Synthetic
2503930	3-Speed Gearbox (3 Quarts)	SAE 75W-90 Synthetic
(2507368)	Donaldson PowerCore PFD Air Cleaner (Ribbed Body)	 (Donaldson #D080186)
2506216	Outer Primary Air Filter	Donaldson #P608533
2506933	Inner Safety Air Filter	Donaldson #P600975
(2505609)	Donaldson PowerCore PSD Air Cleaner (Legacy Item, Smooth Body)	 (Donaldson #D080020)
2505020	Outer Primary Air Filter	Donaldson #P958647
2503681	Inner Safety Air Filter	Donaldson #957712

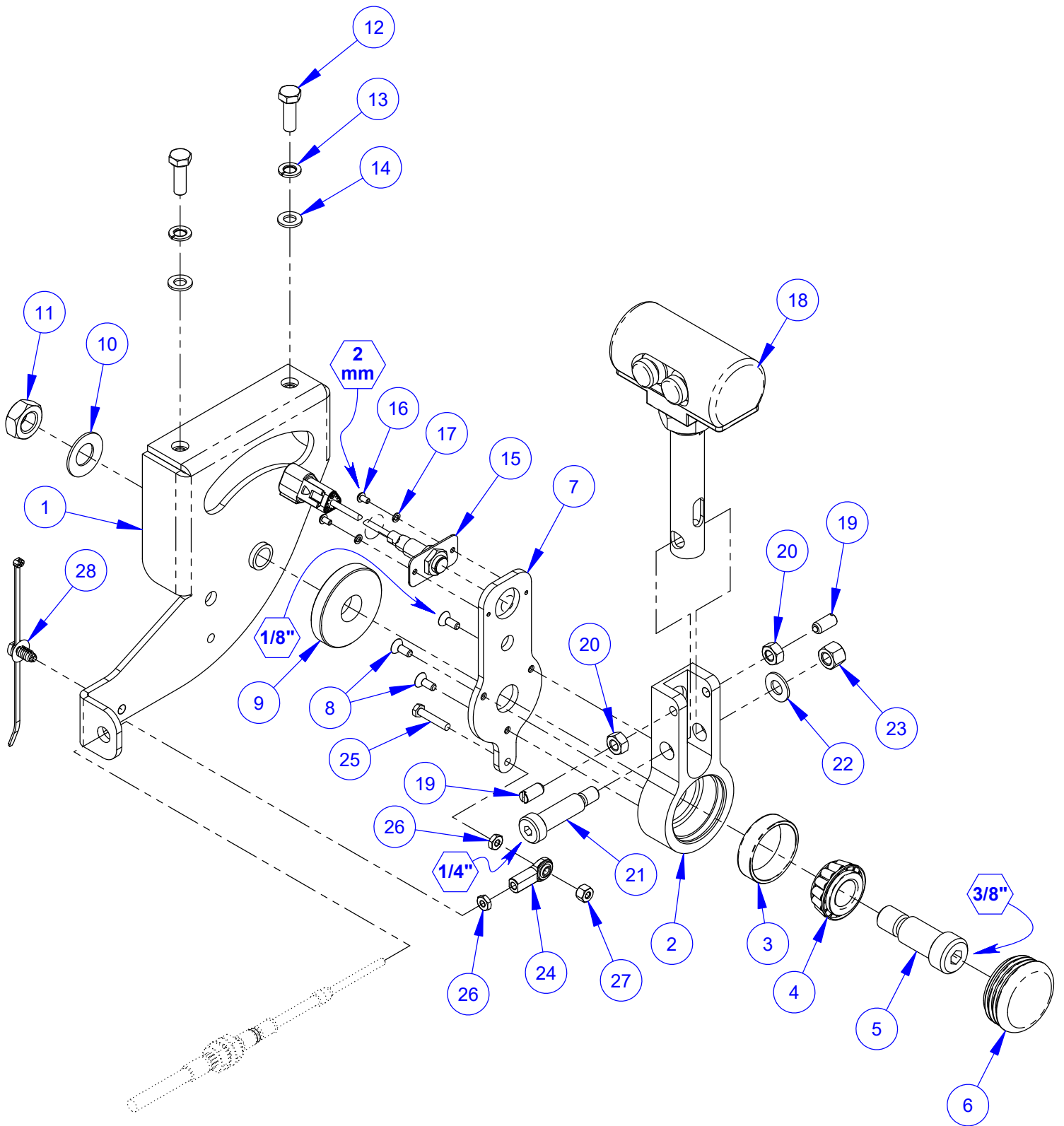
Frame Upright Assembly #6058117



Frame Upright Assembly #6058117

ITEM	PART NO.	QTY.	DESCRIPTION
1	6058170	1	Upright Weldment
2	1800169	1	Serial Number Plate, US
3	2900096	2	Rivet, 3/32" Dia.
4	2900164	4	Cap Screw, Flange Hd., 5/8-11 x 1-1/2"
5	2900491	4	Lock Nut, 5/8-11 Flanged
6	6058218	1	Batttery Access Panel
7	6058229	1	Hinge Plate
8	2900448	8	Machine Screw, Hex Hd., #10-32 x 1/2"
9	2900688	8	Lock Nut, #10-32 Nylon
10	6058253	1	Battery Mount Plate
11	2504985	1	Spring-Cam Latch, Knob
12	2900090	2	Machine Screw, Rd. Hd., #6-32 x 1/2"
13	2901325	2	Lock Nut, #6-32 Nylon
14	2902132	1	Cap Screw, Button Hd., M8-1.25 x 16mm
15	3201729	1	Hose Clamp, 1" x 3/4" Wide
16	6063161	1	RC Assy.
17	2900303	1	Lock Nut, M8-1.25 Nylon Insert
18	6017480	2	Split Grommet Plate
19	2506049	1	Grommet, 1-5/16" I.D.
20	2900021	8	Tap Screw, Pan Hd., #10-24 x 3/8"
21	2900038	8	Lock Washer, #10 Split
22	6019271	2	Split Grommet Plate
23	2506040	1	Grommet, 1" I.D.
24	2504455	2	Grommet, 1" I.D.
25	2508013	1	Grommet, 5/8" I.D.
26	2503712	5	Grommet, 9/16" I.D.
27	2901311	2	Flat Washer, #6 SAE

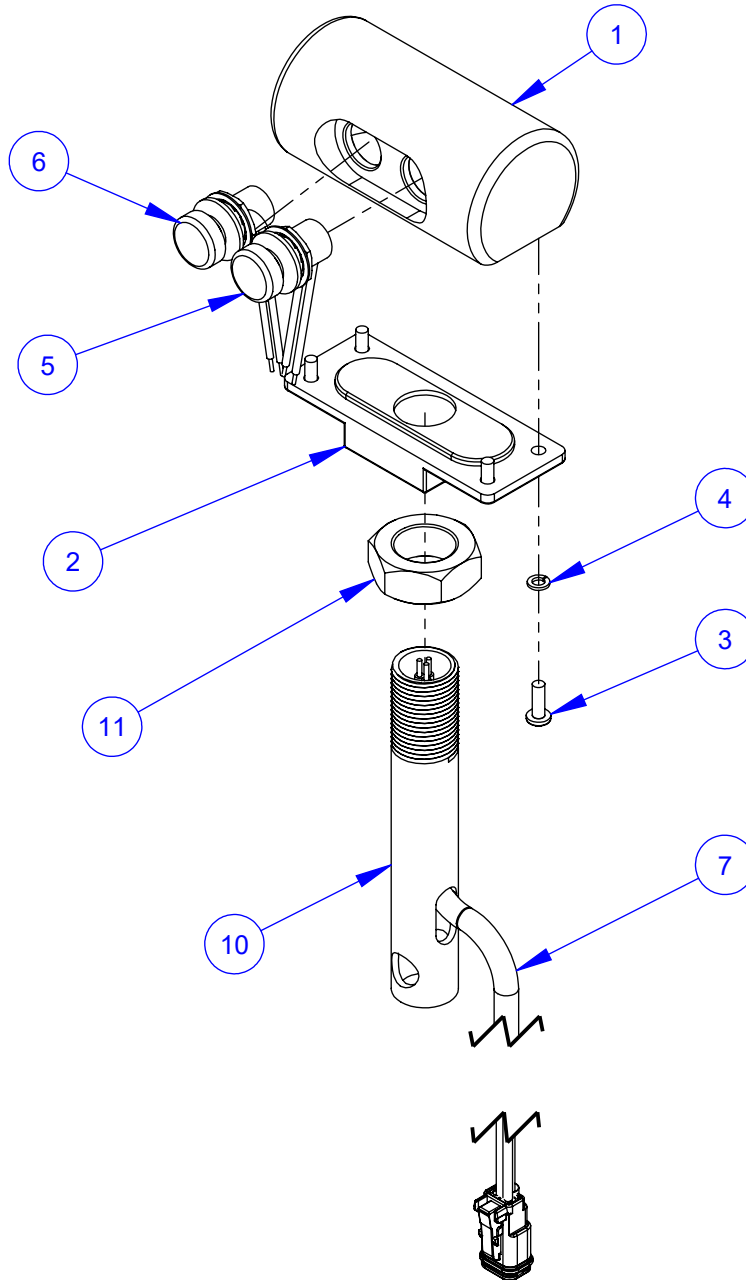
Speed Control Lever Assembly #6058182



Speed Control Lever Assembly #6058182

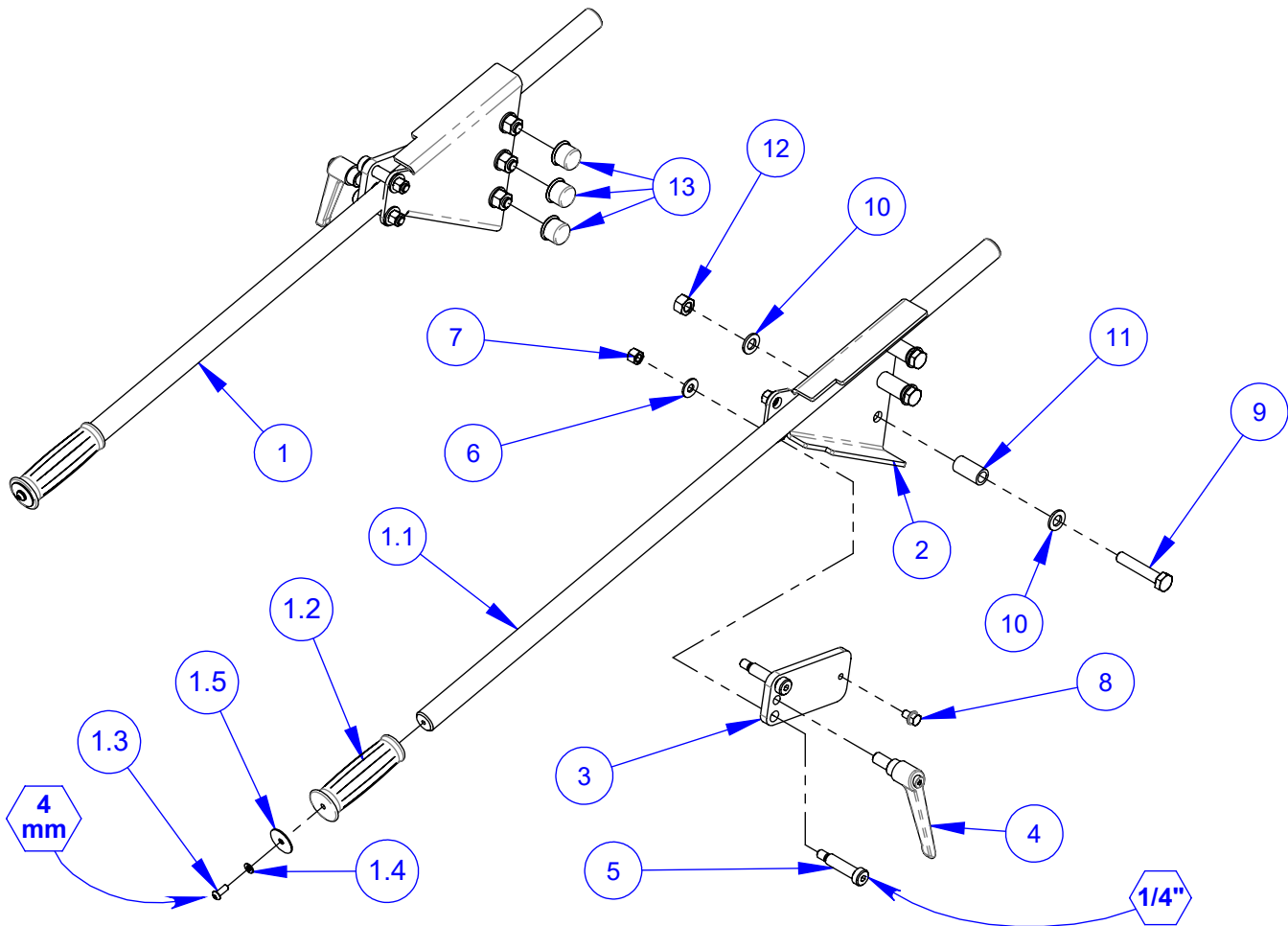
ITEM	PART NO.	QTY.	DESCRIPTION
1	6017384	1	Speed Control Frame
2	6017023	1	Pivot Housing
3	2502384	1	Bearing Cup
4	2502383	1	Bearing Cone
5	2900825	1	Shoulder Screw, 3/4" x 1-1/4" (5/8-11)
6	2502385	1	Grease Cap
7	6001269	1	Swing Arm
8	2900978	3	Cap Screw, Flat Hd., #10-24 x 1/2"
9	6011234	1	Friction Disc, 3/4" x 2-1/4" x 3/8"
10	2900478	1	Belleville Washer, 5/8"
11	2900256	1	Jam Nut, 5/8-11
12	2900360	2	Cap Screw, Hex Hd., M8-1.25 x 25mm
13	2900763	2	Lock Washer, M8 Split
14	2901336	2	Flat Washer, M8
15	6017718	1	Neutral Sensor Assembly
16	2907098	2	Cap Screw, Button Hd., #6-32 x 1/4"
17	2900092	2	Lock Washer, #6 Split
18	6058181	1	Speed Control Grip Assembly
19	2502386	2	Spring Plunger M8
20	2900343	2	Hex Nut, M8-1.25
21	2900826	1	Shoulder Screw, 1/2" x 1-1/2" (3/8-16)
22	2900014	1	Flat Washer, 3/8" SAE
23	2900018	1	Locknut, 3/8-16, Nylon
24	2500791	1	Rod End, #10-32 Female
25	2900687	1	Machine Screw, Hex Hd., #10-32 x 1"
26	2900188	2	Hex Nut, #10-32
27	2900688	1	Lock Nut, #10-32 Nylon
28	2800916	1	Anchor Mount Zip Tie

Speed Control Grip Assembly #6058181



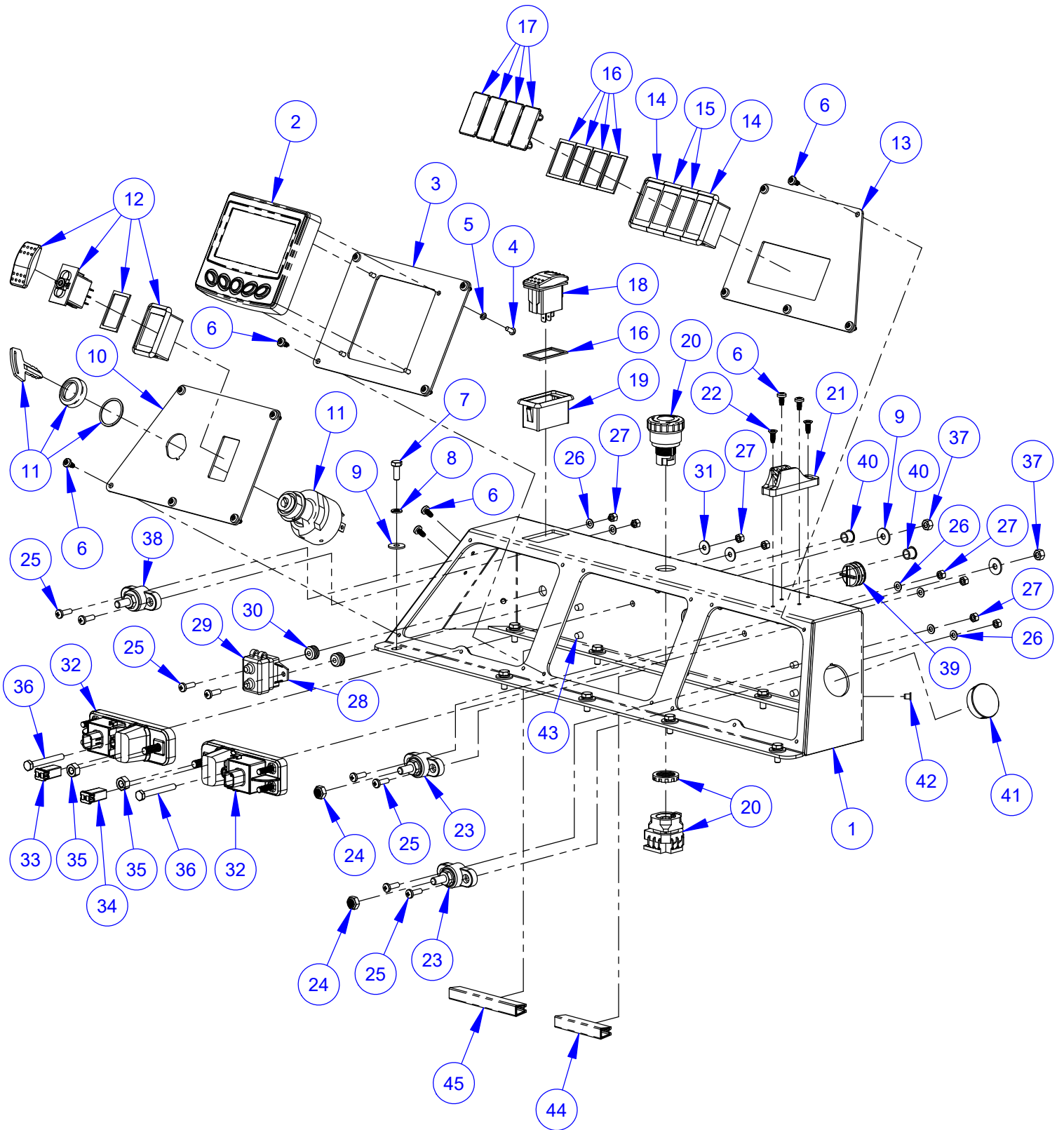
ITEM	PART NO.	QTY.	DESCRIPTION
1	6056562	1	Speed Control Grip, Top
2	6056563	1	Speed Control Grip, Base
3	2900838	4	Machine Screw, Pan Hd., #8-32 x 1/2"
4	2900677	4	Lock Washer, #8 Split
5	2800372	1	Pushbutton Switch (B&G)
6	2800373	1	Pushbutton Switch (B&W)
7	6095033	1	Harness, Speed Control Grip
8	2800002	2	Wire Nut (Grey) (Not Shown)
9	2800621	1	Wire Nut (Blue) (Not Shown)
10	6058176	1	Speed Control Tube
11	2900626	1	Jam Nut, 7/8-14

Handlebar Assembly #6058112 (4 position)



ITEM	PART NO.	QTY.	DESCRIPTION
1	6001069	2	Handle Bar Unit
1.1	6010014	1	Handle Bar, 36" Long
1.2	2500636	1	Handle Grip
1.3	2900863	1	Cap Screw, Button Hd., 1/4-20 x 5/8"
1.4	2900024	1	Lock Washer, 1/4" Split
1.5	2900083	1	Fender Washer, 1/4" x 1-1/4"
2	6058140	2	Handle Holder Guide
3	6001224	2	Handle Clamp Plate
4	2502390	2	Adjustable Lever 1/2-13 x 1"
5	2900260	4	Shoulder Screw, 1/2" x 1-3/4" (3/8"-16)
6	2900567	4	Flat Washer, 5/16" USS
7	2900018	4	Locknut, 3/8-16, Nylon
8	2902071	2	Cap Screw, Hex Flange, M8-1.25 x 12mm
9	2900359	6	Cap Screw, Hex Hd., M12-1.75 x 65mm
10	2901357	12	Flat Washer, M12
11	6001225	6	Handle Guide Tube
12	2900327	6	Lock Nut, M12-1.75 Nylon Insert
13	6058173	3	Hex Nut Cap, 3/4" Hex

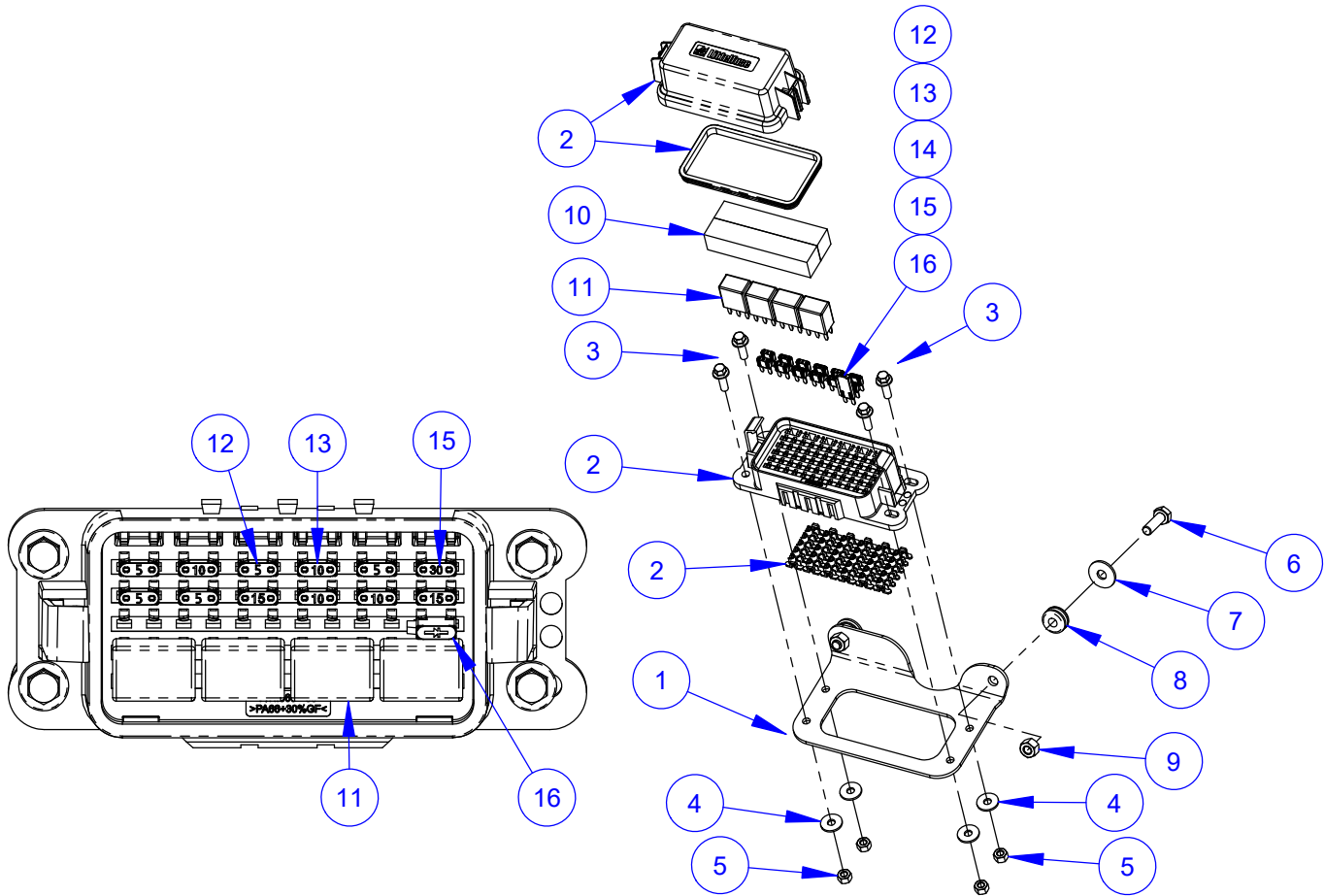
Display Dash Assembly #6001090



Display Dash Assembly #6001090

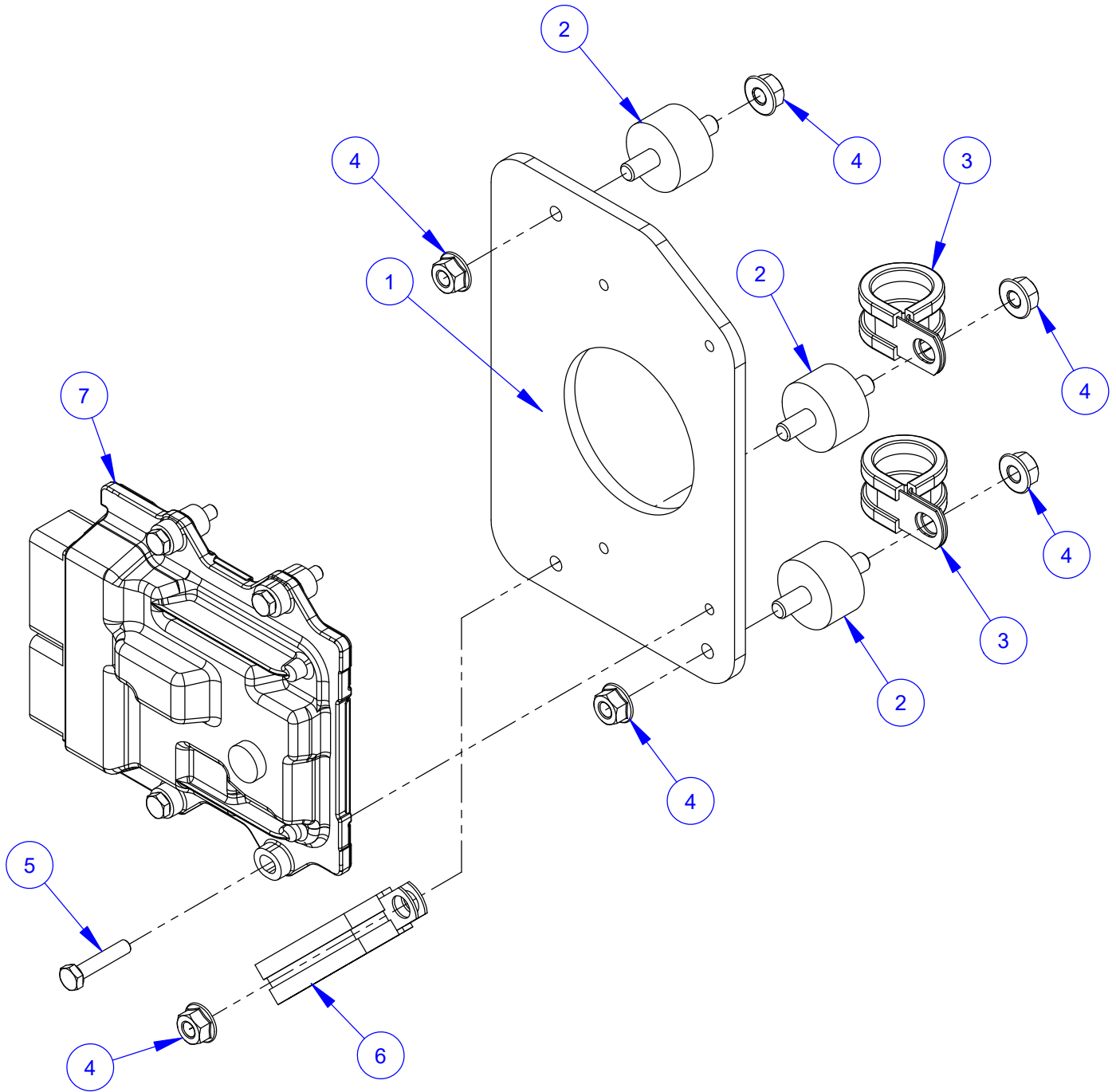
ITEM	PART NO.	QTY.	DESCRIPTION
1	6001221	1	Display Dash
2	2801040	1	Murphy 4.3" Display
3	6001222	1	Display Panel
4	2900114	4	Machine Screw, Rd. Hd., #8-32 x 3/8"
5	2900677	4	Lock Washer, #8 Split
6	2900021	18	Tap Screw, Pan Hd., #10-24 x 3/8"
7	2900341	10	Cap Screw, Hex Hd., M6-1.0 x 16mm
8	2900765	10	Lock Washer, M6 Split
9	2901359	12	Fender Washer, M6
10	6016136	1	Dash Panel (Left)
11	2705001	1	Ignition Switch & Keys
	2705000	1	Ignition Keys Only (Pair)
12	6019158	1	Rocker Switch Assembly
	2800258	1	Rocker Switch Body
	2800259	1	Rocker Switch Actuator
	2800260	1	Rocker Mount Panel
	2800261	1	Rocker Panel Gasket
13	6016134	1	Dash Panel (Right)
14	2800615	2	Rocker Mount End Panel
15	2800616	2	Rocker Mount Middle Panel
16	2800261	5	Rocker Panel Gasket
17	2800262	4	Rocker Mount Panel Plug
18	2800808	1	Rocker Switch
19	2800260	1	Rocker Mount Panel
20	2801367	1	E-Stop Switch
21	2506072	1	Rope Cleat
22	2900445	2	Tap Screw, Flat Hd., #10-24 x 1/2"
23	2801545	2	Ground Stud Block (Black) 5/16-18
24	2901884	2	Jam Locknut, 5/16-18" Nylon
25	2902122	8	Machine Screw, Pan Hd., M5-0.8 x 16mm
26	2900926	6	Flat Washer, M5
27	2900301	8	Lock Nut, M5-0.8 Nylon Insert
28	2801276	1	Circuit Breaker, 50 Amp
29	2800364	1	Circuit Breaker Boot
30	2506028	2	Grommet, 3/16" I.D.
31	2900770	2	Fender Washer, M5
32	2802240	2	Fuse/Relay Module
33	2802345	1	Jcase Fuse, 40A (Green)
34	2802275	1	Jcase Fuse, 60A (Yellow)
35	2900343	2	Hex Nut, M8-1.25
36	2901355	2	Cap Screw, Hex Hd., M6-1.0 x 50mm
37	2900302	2	Lock Nut, M6-1.0 Nylon Insert
38	2801544	1	Power Stud Block (Red) 5/16-18
39	2505345	1	Plug, Hole
40	2501287	2	Plug, 7/16" Hole
41	2506087	1	Plug, 1-3/8" Hole
42	2500652	2	Plug, M6 Hole
43	2503744	5	Plug, 1/4" Hole (Tapered)
44	6001372	1	Edge Trim 2-3/4"
45	6001373	1	Edge Trim 4"

Power Block Assembly #6058191



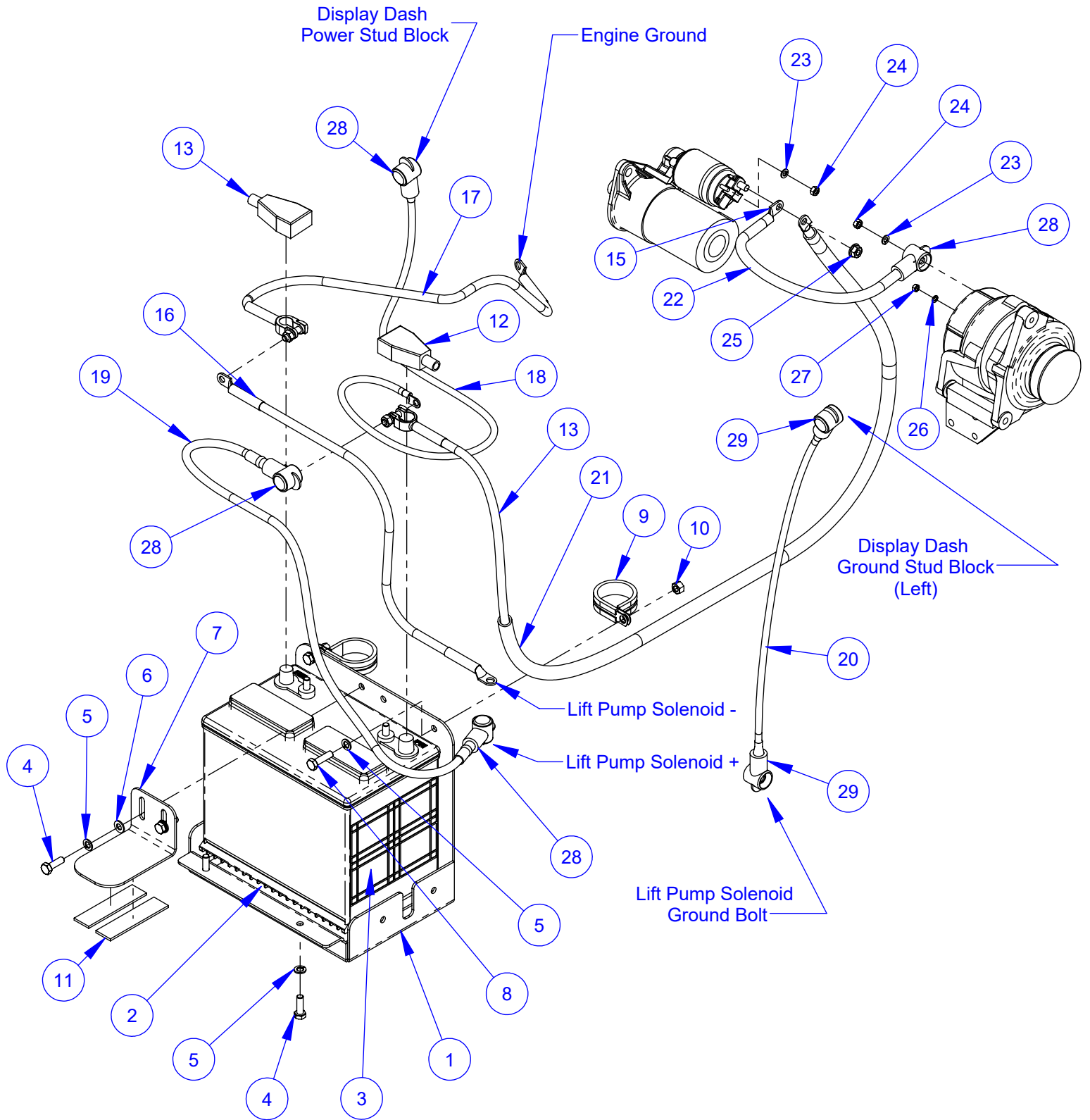
ITEM	PART NO.	QTY.	DESCRIPTION
1	6016164	1	Fuse Block Bracket
2	2801521	1	Fuse Block Kit
3	2900328	4	Cap Screw, Hex Flange, M6-1.0 x 20mm
4	2901359	4	Fender Washer, M6
5	2900302	4	Lock Nut, M6-1.0 Nylon Insert
6	2900360	2	Cap Screw, Hex Hd., M8-1.25 x 25mm
7	2900383	2	Fender Washer, M8
8	2506011	2	Grommet, 5/16" I.D.
9	2900303	2	Lock Nut, M8-1.25 Nylon Insert
10	6017491	2	Foam Cushion, 3/4" Thick
11	2801641	4	Relay, 35 Amp Micro
12	2801489	5	Fuse, 5 Amp Mini (Tan)
13	2801439	4	Fuse, 10 Amp Mini (Red)
14	2801440	2	Fuse, 15 Amp Mini (Blue)
15	2801597	1	Fuse, 30 Amp Mini (Green)
16	2808254	1	Diode, 6A
17	6004849	1	CC4948DCV Wire Harness (Not Shown)

ECM Assembly #6058119
(Includes items #1 - #6)



ITEM	PART NO.	QTY.	DESCRIPTION
1	6058216	1	ECM Mounting Plate
2	2506038	3	Vibration Isolator M8-1.25
3	3201729	2	Hose Clamp, 1" x 3/4" Wide
4	2902012	6	Hex Flange Nut, M8-1.25
5	2900342	4	Cap Screw, Hex Hd., M6-1.0 x 30mm
6	2505186	1	Clamp, 1-3/4" Cushion
7	2704951	1	Engine Control Module (ECM)

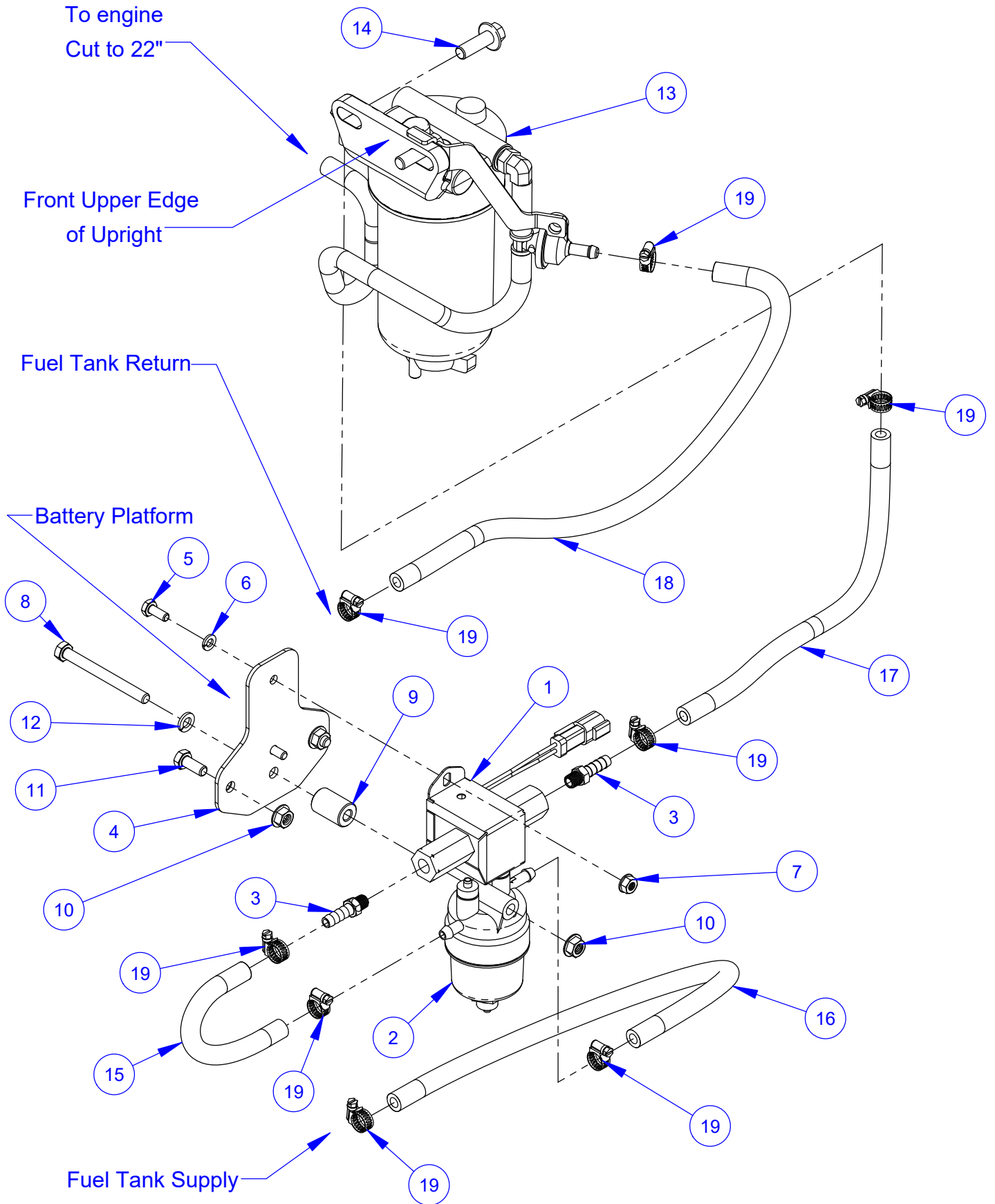
Battery Assembly #6058108



Battery Assembly #6058108

ITEM	PART NO.	QTY.	DESCRIPTION
1	6058219	1	Battery Platform
2	6010442	1	Battery Pad
3	2800465	1	Battery, 12 Volt Group Size 24
4	2900360	4	Cap Screw, Hex Hd., M8-1.25 x 25mm
5	2900763	6	Lock Washer, M8 Split
6	2901336	2	Flat Washer, M8
7	6058174	1	Battery Hold Down Bracket
8	2900313	2	Cap Screw, Hex Hd., M8-1.25 x 30mm
9	2505186	2	Clamp, 1-3/4" Cushion
10	2900303	2	Lock Nut, M8-1.25 Nylon Insert
11	6017339	2	Rubber Strip 4"
12	2800256	1	Battery Boot, Large (Red)
13	2800257	1	Battery Boot, Large (Black)
13	2808250	1	Battery Cable, 82.5" Positive (Red)
15	2801298	1	Battery Cable, 14" Positive (Red)
16	2808252	1	Battery Cable, 2GA, 30.125" (Black)
17	2801506	1	Battery Cable, 32" Negative (Black)
18	6047990	1	Battery Cable, 37" Positive (Red)
19	2800907	1	Battery Cable, 24" Positive (Red)
20	2808253	1	Battery Cable, 25" Negative (Black)
21	6001385	1	Split Loom, 11/15" OD x 60" Long
22	6001348	1	Cable Sleeve 12"
23	2900765	2	Lock Washer, M6 Split
24	2900305	2	Hex Nut, M6-1.0
25	2902012	1	Hex Flange Nut, M8-1.25
26	2900767	1	Lock Washer, M5 Split
27	2903212	1	Hex Nut, M5-0.8
28	2800197	5	Battery Boot, Small (Red)
29	2800198	2	Battery Boot, Small (Black)

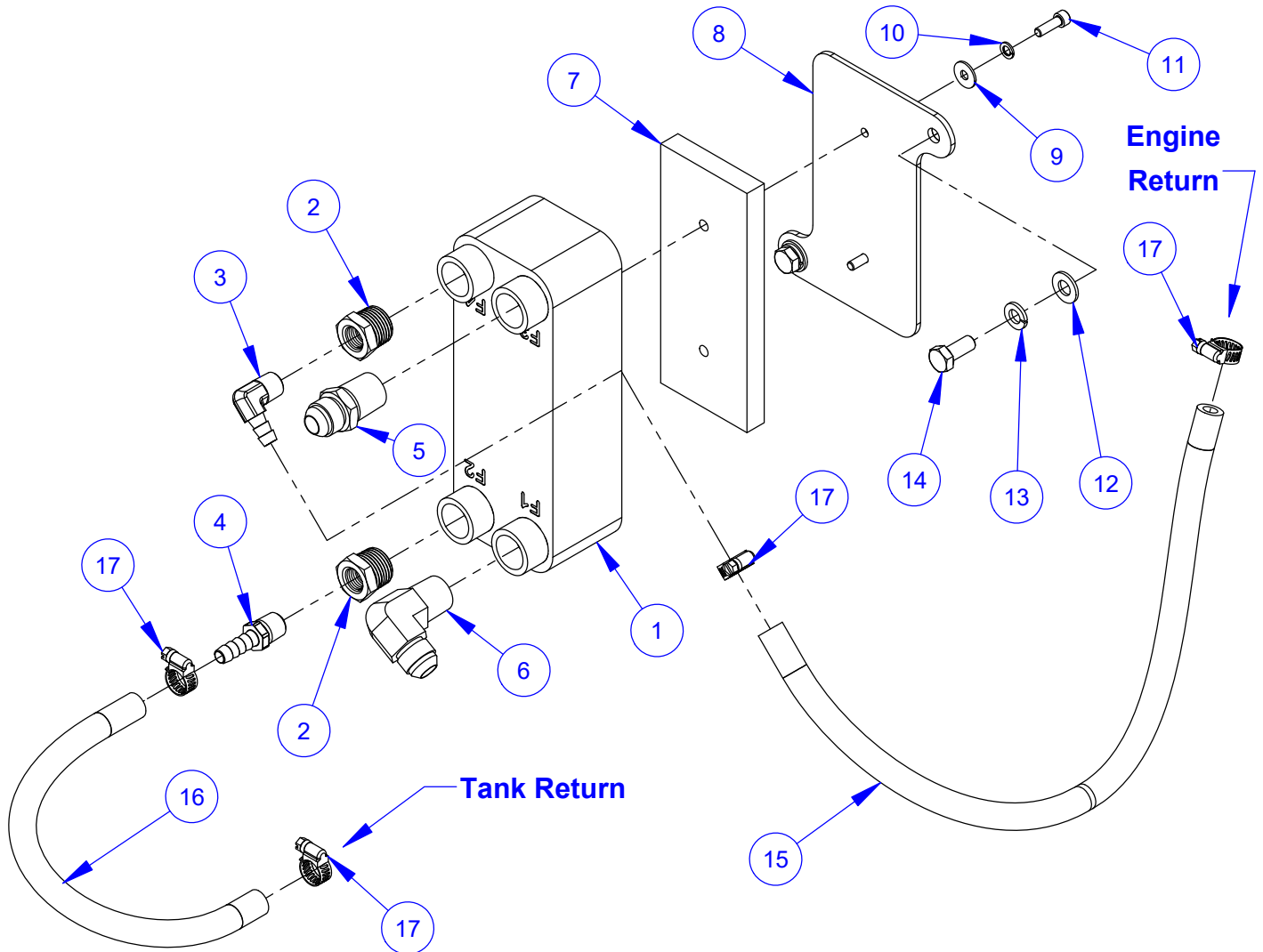
Fuel Supply Assembly #6058111



Fuel Supply Assembly #6058111

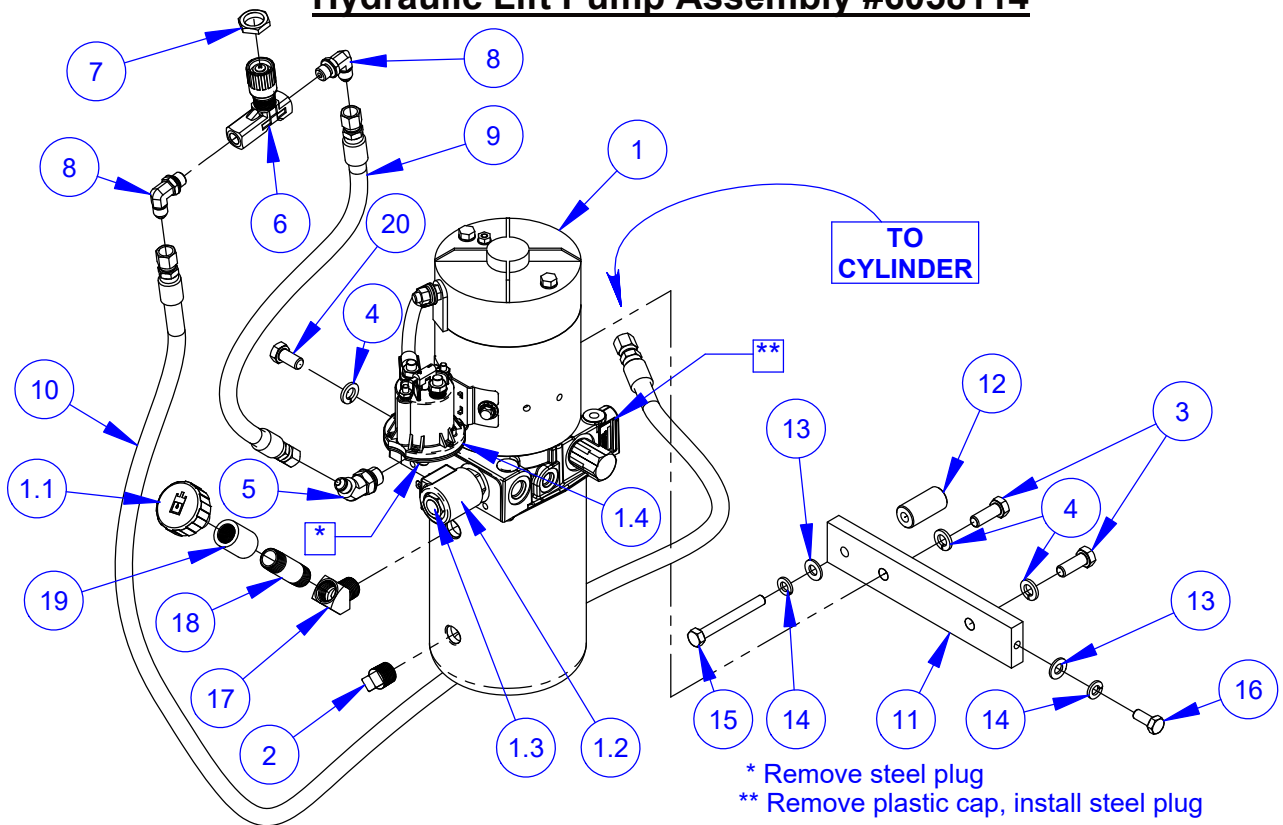
ITEM	PART NO.	QTY.	DESCRIPTION
1	2704933	1	Fuel Pump
2	2704934	1	Water Separator Filter
3	3201636	2	Fitting, 1/8" M. Pipe to 5/16" Hose Barb
4	6058223	1	Fuel Pump Mount Plate
5	2900023	2	Cap Screw, Hex Hd., 1/4-20 x 5/8"
6	2900024	2	Lock Washer, 1/4" Split
7	2902145	2	Hex Flange Nut, 1/4-20
8	2900030	1	Cap Screw, Hex Hd., 5/16-18 x 3-1/4"
9	6058246	1	Spacer
10	2900852	3	5/16-18 Flange Lock Nut, Serrated
11	2900019	2	Cap Screw, Hex Hd., 5/16-18 x 3/4"
12	2900031	3	Lock Washer, 5/16" Split
13	2704936	1	Fuel Filter, Main
14	2902074	2	Cap Screw, Hex Flange, M10-1.5 x 30mm
15	6017529	1	Fuel Hose, 5/16" I.D. x 8"
16	6019277	1	Fuel Hose, 5/16" I.D. x 18"
17	6058323	1	Fuel Hose, 5/16" I.D. x 17"
18	6058322	1	Fuel Hose, 5/16" I.D. x 19-1/2"
19	3200062	8	Hose Clamp #4

Fuel Cooler Assembly #6058129



ITEM	PART NO.	QTY.	DESCRIPTION
1	2506054	1	Fuel Cooler
2	3200229	2	Reducer, 1/2" M. to 1/4" F. Pipe
3	3200599	1	Elbow, 1/4" M. Pipe to 5/16" Hose Barb
4	3201304	1	Fitting, 1/4" M. Pipe to 5/16" Hose Barb
5	3200968	1	Fitting - 1/2" MJIC to 1/2" MPT
6	3201461	1	Elbow, 1/2" M. JIC to 1/2" M. Pipe
7	6019280	1	Cooler Cushion
8	6058217	1	Fuel Cooler Bracket
9	2900770	2	Fender Washer, M5
10	2900767	2	Lock Washer, M5 Split
11	2900087	2	Cap Screw, Soc. Hd., #10-32 x 5/8"
12	2900022	2	Flat Washer, 5/16" SAE
13	2900031	2	Lock Washer, 5/16" Split
14	2900019	2	Cap Screw, Hex Hd., 5/16-18 x 3/4"
15	6058320	1	Fuel Hose, 5/16" I.D. x 19"
16	6058321	1	Fuel Hose, 5/16" I.D. x 11"
17	3200062	4	Hose Clamp #4

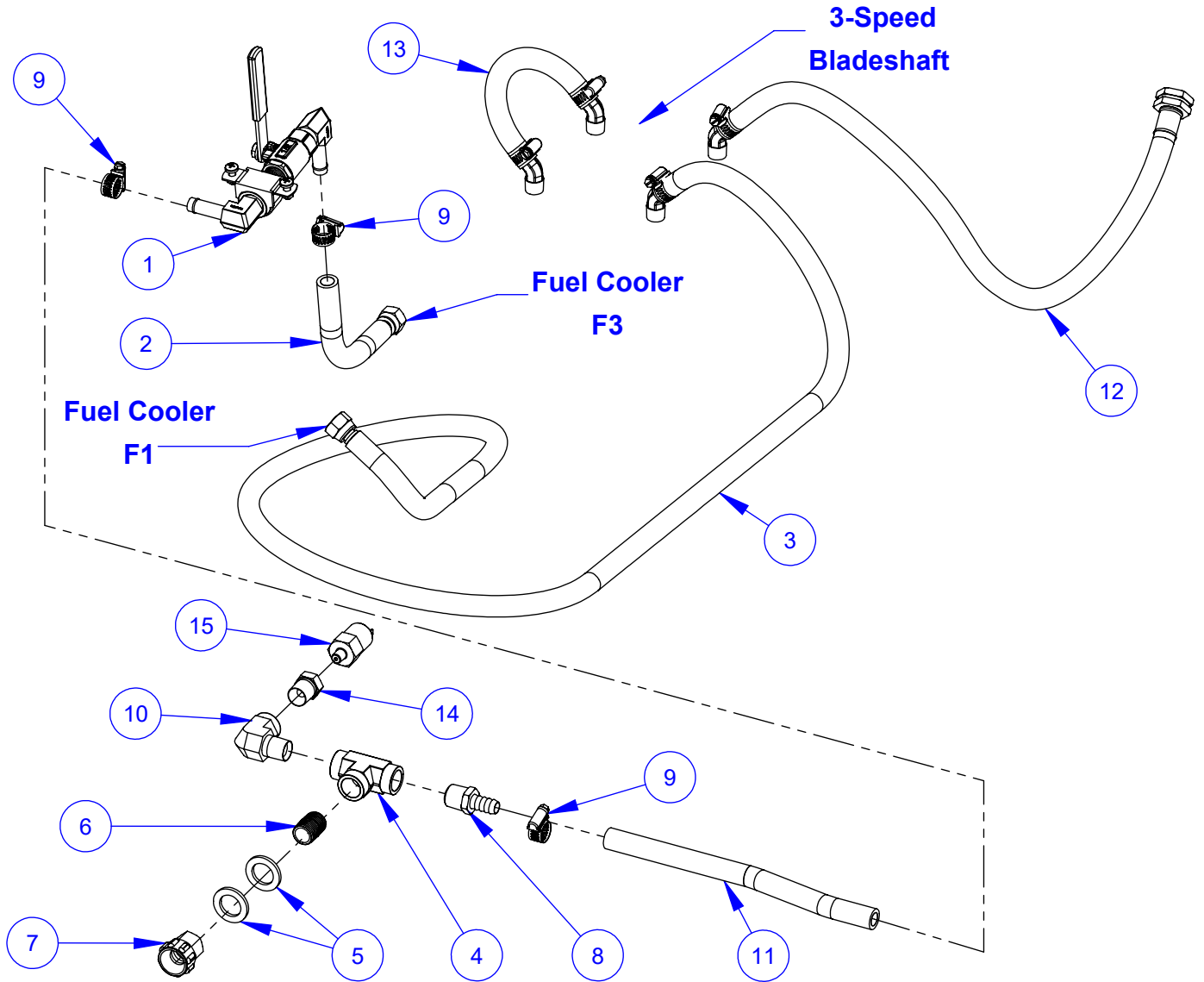
Hydraulic Lift Pump Assembly #6058114



* Remove steel plug
 ** Remove plastic cap, install steel plug

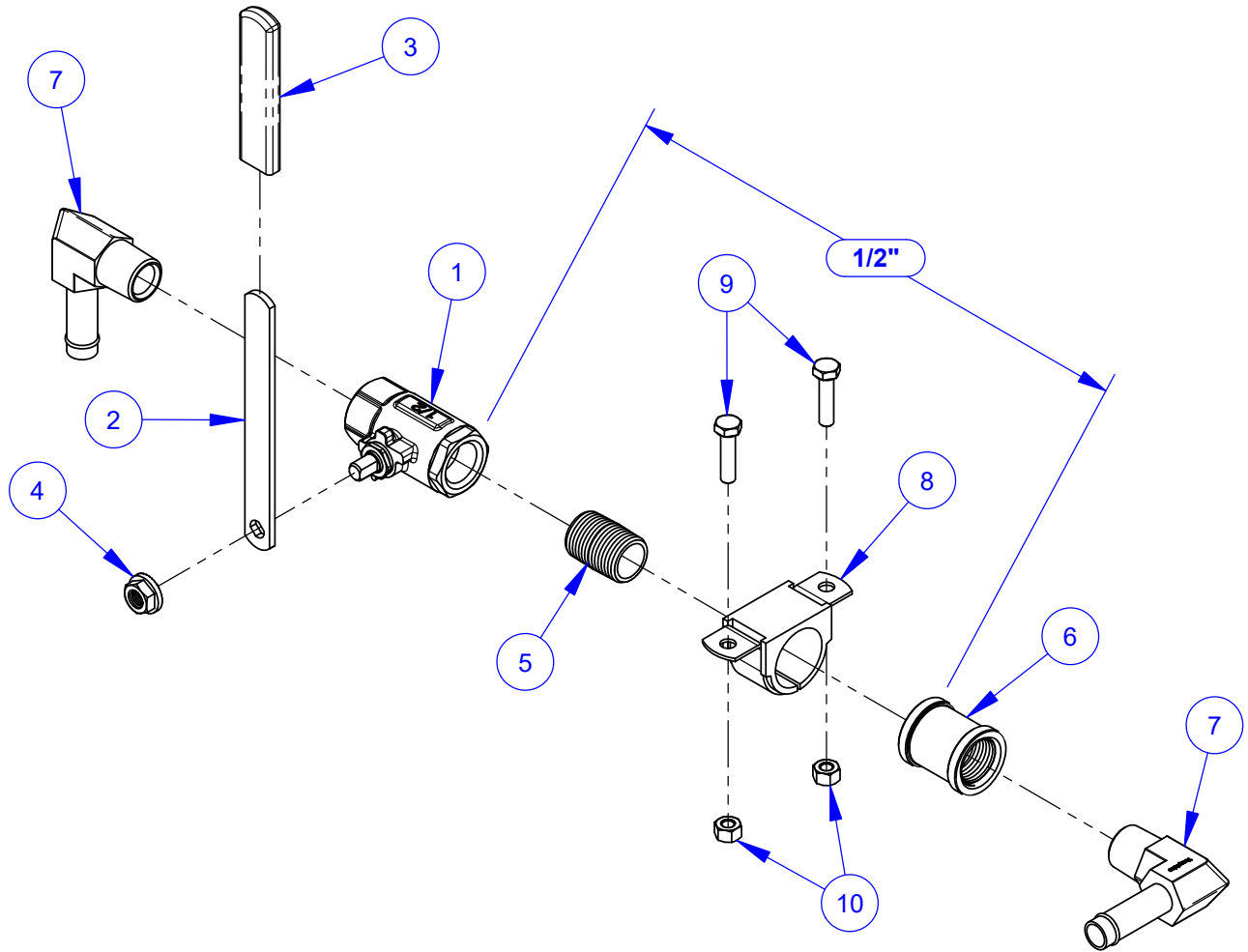
ITEM	PART NO.	QTY.	DESCRIPTION
1	2603370	1	Hydraulic Pump Unit
1.1	2700321	2	Breather Cap
1.2	2700243	1	Valve Coil
1.3	2700244	1	Valve Stem
1.4	2709904	1	Solenoid Start Switch
2	3200153	1	Pipe Plug, 3/8" NPT
3	2900005	2	Cap Screw, Hex Hd., 3/8-16 x 1"
4	2900006	3	Lock Washer, 3/8" Split
5	3202942	1	Elbow, 3/8" O-Ring to 1/4" M. JIC (45 deg)
6	3202888	1	Flow Control Valve
7	3202889	1	Panel Mount Nut
8	3200214	2	Elbow, 1/4" M. O-Ring to 1/4" M. JIC
9	6001273	1	Hose Assembly 1/4" x 17"
10	6017287	1	Hose Assembly 1/4" x 54"
11	6058247	1	Plate, Hydraulic Pump Mount
12	6001294	1	Spacer, 1-1/2" Long
13	2900022	2	Flat Washer, 5/16" SAE
14	2900031	2	Lock Washer, 5/16" Split
15	2900069	1	Cap Screw, Hex Hd., 5/16-18 x 2-3/4"
16	2900019	1	Cap Screw, Hex Hd., 5/16-18 x 3/4"
17	3202896	1	Street Elbow, 3/8" NPT x 45 Deg.
18	3200123	1	Pipe Nipple, 3/8" NPT x 2"
19	3200120	1	Pipe Coupling, 3/8" NPT
20	2900196	1	Cap Screw, Hex Hd., 3/8-16 x 3/4"

Water Supply Assembly #6058113



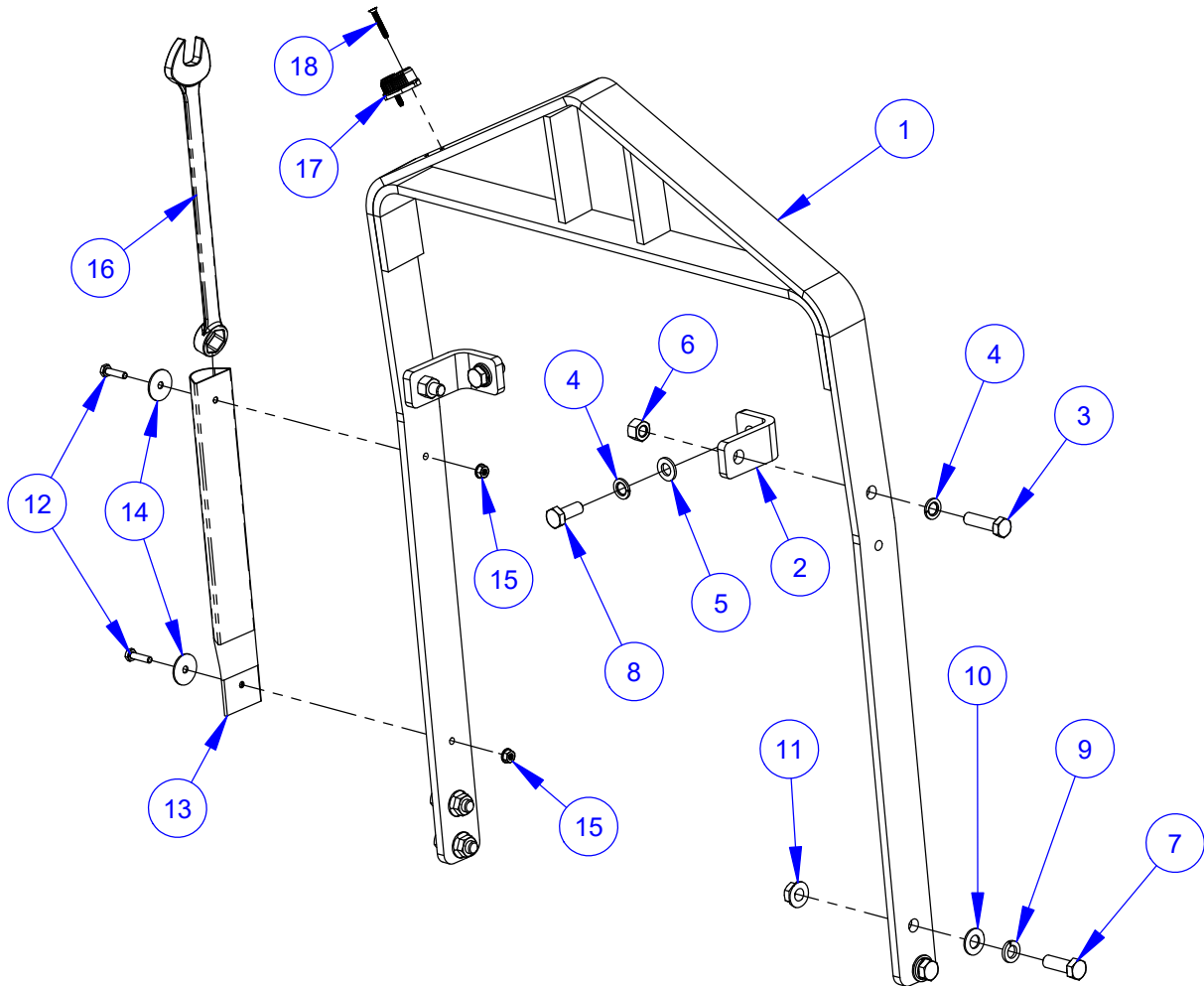
ITEM	PART NO.	QTY.	DESCRIPTION
1	6058214	1	Water Valve Assembly
2	6058262	1	Water Hose Assembly, 7-1/2"
3	6058263	1	Water Hose Assembly, 48"
4	3202886	1	Tee, 1/2" Female Pipe
5	2902094	2	Flat Washer, 7/8"
6	3200598	1	Close Nipple, 1/2" NPT (Brass)
7	3200022	1	Fitting, 1/2" F. Pipe to 3/4" F. Garden
8	3200020	1	Fitting, 1/2" M. Pipe to 1/2" Hose Barb
9	3200016	3	Hose Clamp #8
10	3200173	1	Street Elbow, 1/2" NPT Steel
11	6058261	1	Water Hose, 1/2" I.D. x 11"
12	6019136	1	Water Hose Assembly, 84" Long
13	6019135	1	Water Hose Assembly, 10" Long
14	3200069	1	Reducer, 1/2" M. to 1/8" F. Pipe
15	2800060	1	Water Pressure Switch

Water Valve Assembly #6058214



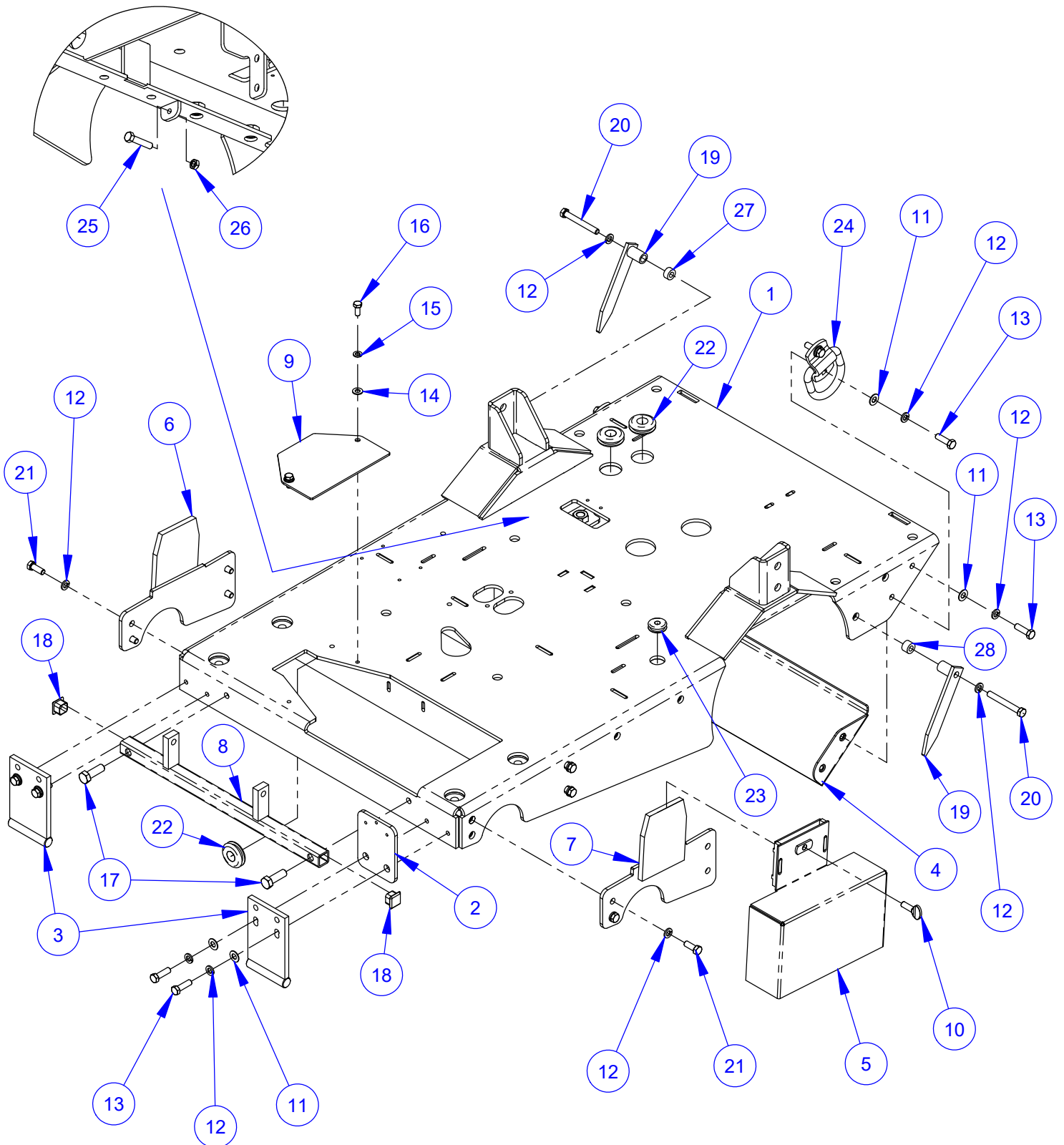
ITEM	PART NO.	QTY.	DESCRIPTION
1	3202887	1	Water Valve
2	6016139	1	Water Valve Handle
3	2506079	1	Handle Cover
4	2902086	1	Hex Flange Nut, 5/16-24
5	3200699	1	Close Nipple, 1/2" BSPT
6	3202468	1	Coupling, 1/2" NPT
7	3201740	2	Elbow, 1/2" M. Pipe to 1/2" Hose Bead
8	3202835	1	Hose Clamp
9	2900311	2	Cap Screw, Hex Hd., M6-1.0 x 25mm
10	2900302	2	Lock Nut, M6-1.0 Nylon Insert

Frame Lift Assembly #6058118



ITEM	PART NO.	QTY.	DESCRIPTION
1	6093210	1	Frame Lift Weldment
2	6058211	2	Frame Lift Brace
3	2901444	2	Cap Screw, Hex Hd., M12-1.75 x 45mm
4	2900699	4	Lock Washer, M12 Split
5	2901357	2	Flat Washer, M12
6	2900327	2	Lock Nut, M12-1.75 Nylon Insert
7	2900499	4	Cap Screw, Hex Hd., 1/2-13 x 1-1/2"
8	2900330	2	Cap Screw, Hex Hd., M12-1.75 x 30mm
9	2900084	4	Lock Washer, 1/2" Split
10	2900058	4	Flat Washer, 1/2" SAE
11	2902199	4	Lock Nut, 1/2-13 Nylon
12	2900008	2	Cap Screw, Hex Hd., 1/4-20 x 1"
13	6017268	1	Wrench Sock
14	2900083	2	Fender Washer, 1/4" x 1-1/4"
15	2902145	2	Hex Flange Nut, 1/4-20
16	2503704	1	Wrench, 15/16" Combination
17	2501427	1	Rope Cleat
18	2900483	2	Tap Screw, Flat Hd., #10-24 x 1-1/4"

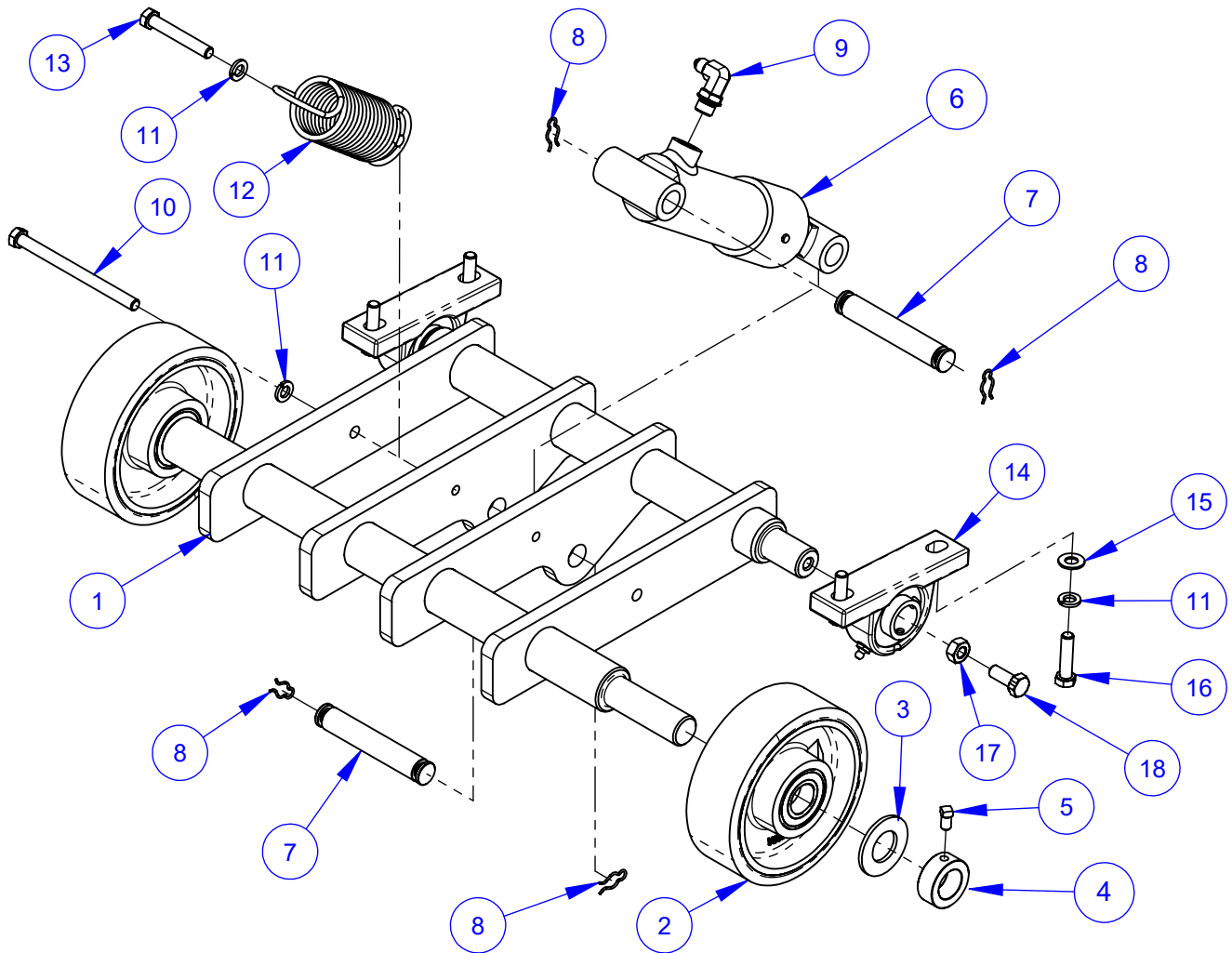
Frame Base Assembly #6058116



Frame Base Assembly #6058116

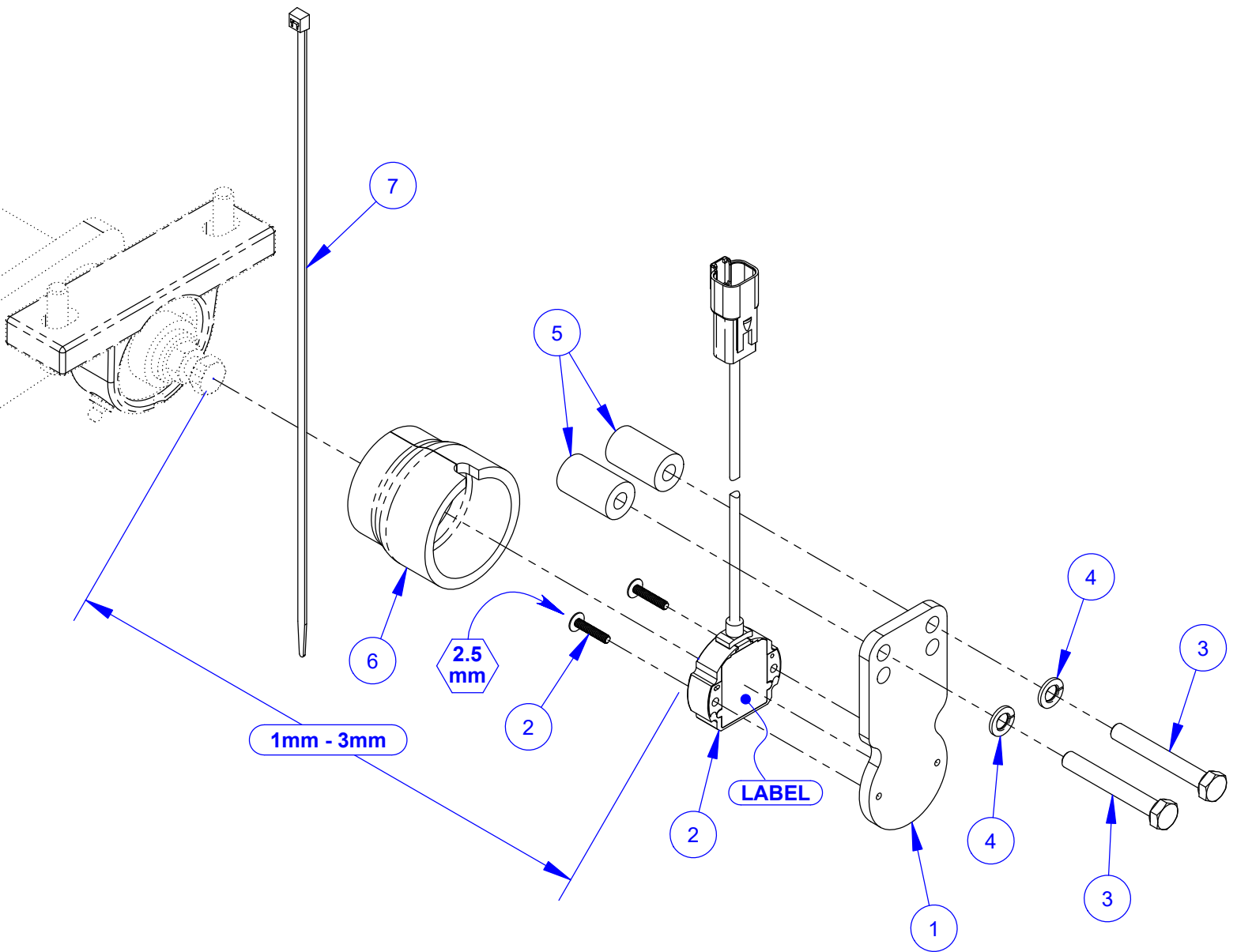
ITEM	PART NO.	QTY.	DESCRIPTION
1	6058155	1	Frame Base Weldment
2	6058158	1	Guard Attachment Plate
3	6056522	2	Skid Plate Weldment
4	6058152	1	Frame Base Rear Cover
5	6045435	1	Shaft Guard Assembly
6	6058144	1	Side Guard Mount Weldment
7	6058147	1	Side Guard Mount Weldment
8	6058338	1	Pointer Mount
9	6010974	1	Cover Plate
10	2900500	1	Thumb Screw, 3/8-16 x 1"
11	2900014	10	Flat Washer, 3/8" SAE
12	2900006	20	Lock Washer, 3/8" Split
13	2900013	10	Cap Screw, Hex Hd., 3/8-16 x 1-1/4"
14	2900022	2	Flat Washer, 5/16" SAE
15	2900031	2	Lock Washer, 5/16" Split
16	2900019	2	Cap Screw, Hex Hd., 5/16-18 x 3/4"
17	2900499	2	Cap Screw, Hex Hd., 1/2-13 x 1-1/2"
18	2500573	2	Plug, 1" Square Tube
19	6010022	2	Rear Pointer
20	2900035	2	Cap Screw, Hex Hd., 3/8-16 x 3"
21	2900005	8	Cap Screw, Hex Hd., 3/8-16 x 1"
22	2505309	3	Grommet, 3/4" I.D.
23	2506118	1	Grommet, 3/8" I.D.
24	2504368	2	Tie Down
25	2901592	1	Tap Bolt, Hex Hd., 3/8-16 x 1-3/4"
26	2900782	1	Jam Nut, 3/8-16
27	6058183	1	Spacer, 3/8" x 3/4" x 3/8"
28	6058184	1	Spacer, 3x8" x 3/4" x 1/2"

Front Axle Assembly #6058105



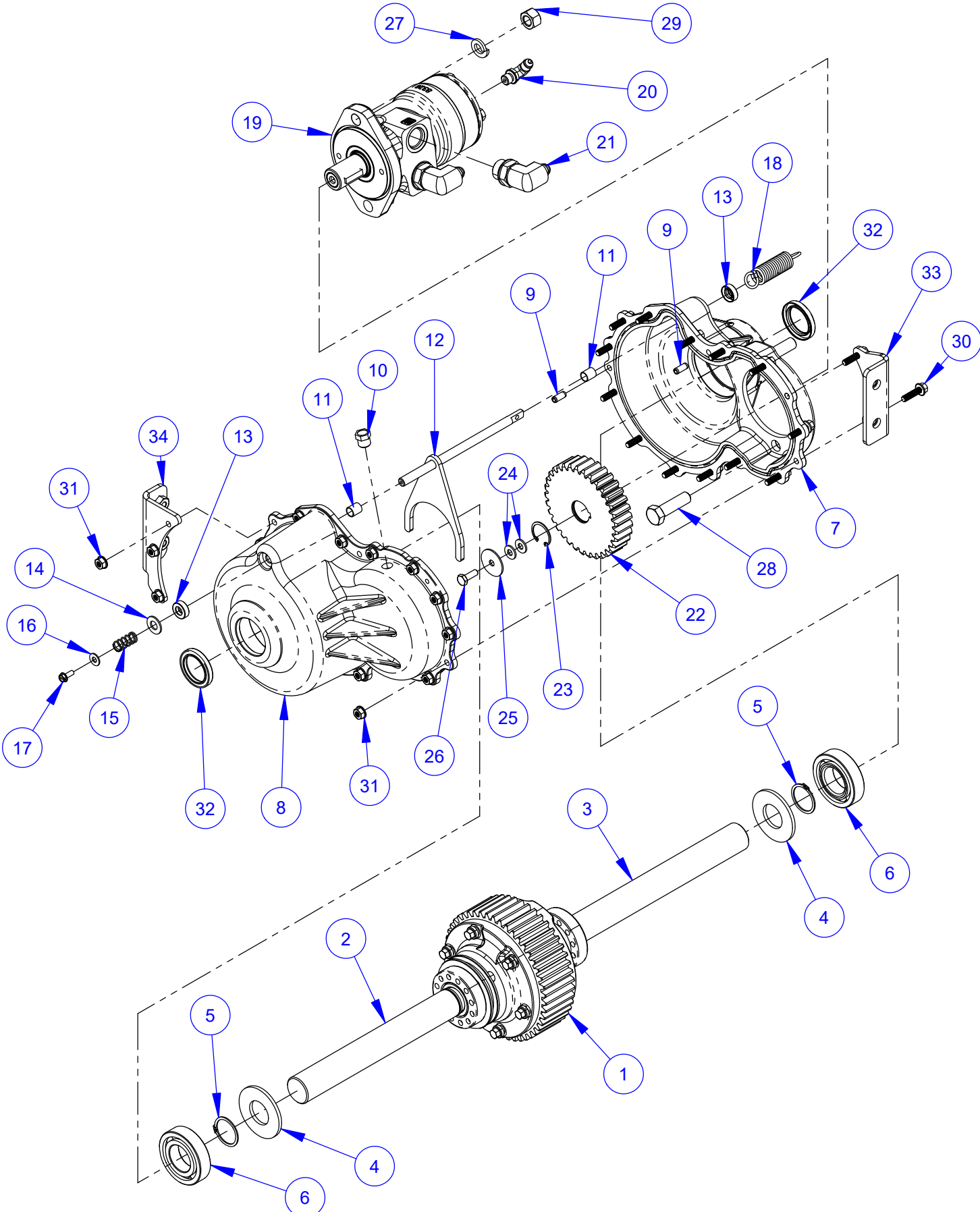
ITEM	PART NO.	QTY.	DESCRIPTION
1	6058190	1	Front Axle Weldment
2	2505336	2	Wheel, 6" x 2" x 1"
3	2900295	2	Flat Washer, 1" SAE
4	2500009	2	Set Collar, 1" ID
5	2900431	2	Set Screw, Sq. Hd., 5/16-18 x 1/2"
6	2501541	1	Hydraulic Cylinder, 1-3/4" x 5"
7	6045056	2	Cylinder Pin, 3/4" x 4-1/2"
8	2900784	4	Hair Pin Clip, 1/2"
9	3200551	1	Elbow, 3/8" O-Ring to 1/4" M. JIC
10	2900443	1	Cap Screw, Hex Hd., 3/8-16 x 5"
11	2900006	6	Lock Washer, 3/8" Split
12	2504990	1	Spring, Extension, 6.5" x 2" OD
13	2900596	1	Cap Screw, Hex Hd., 3/8-16 x 2-1/2"
14	2500013	2	Bearing, 1" Pillowblock
15	2900014	4	Flat Washer, 3/8" SAE
16	2900029	4	Cap Screw, Hex Hd., 3/8-16 x 1-1/2"
17	2900325	1	Hex Nut, M10-1.5
18	2801533	1	Marker Screw, M10-1.5 x 25mm

Rotary Sensor Assembly #6016805



ITEM	PART NO.	QTY.	DESCRIPTION
1	6016186	1	Sensor Mount Plate
2	6016220	1	Rotary Sensor
	2902125	2	Machine Screw, Flange Button Hd., M4-0.7 x 20mm
3	2900747	2	Cap Screw, Hex Hd., M8-1.25 x 60mm
4	2900763	2	Lock Washer, M8 Split
5	2400314	2	Spacer, 1-1/4" Long
6	6016559	1	Sensor Boot
7	2800278	1	Zip Tie, 14"

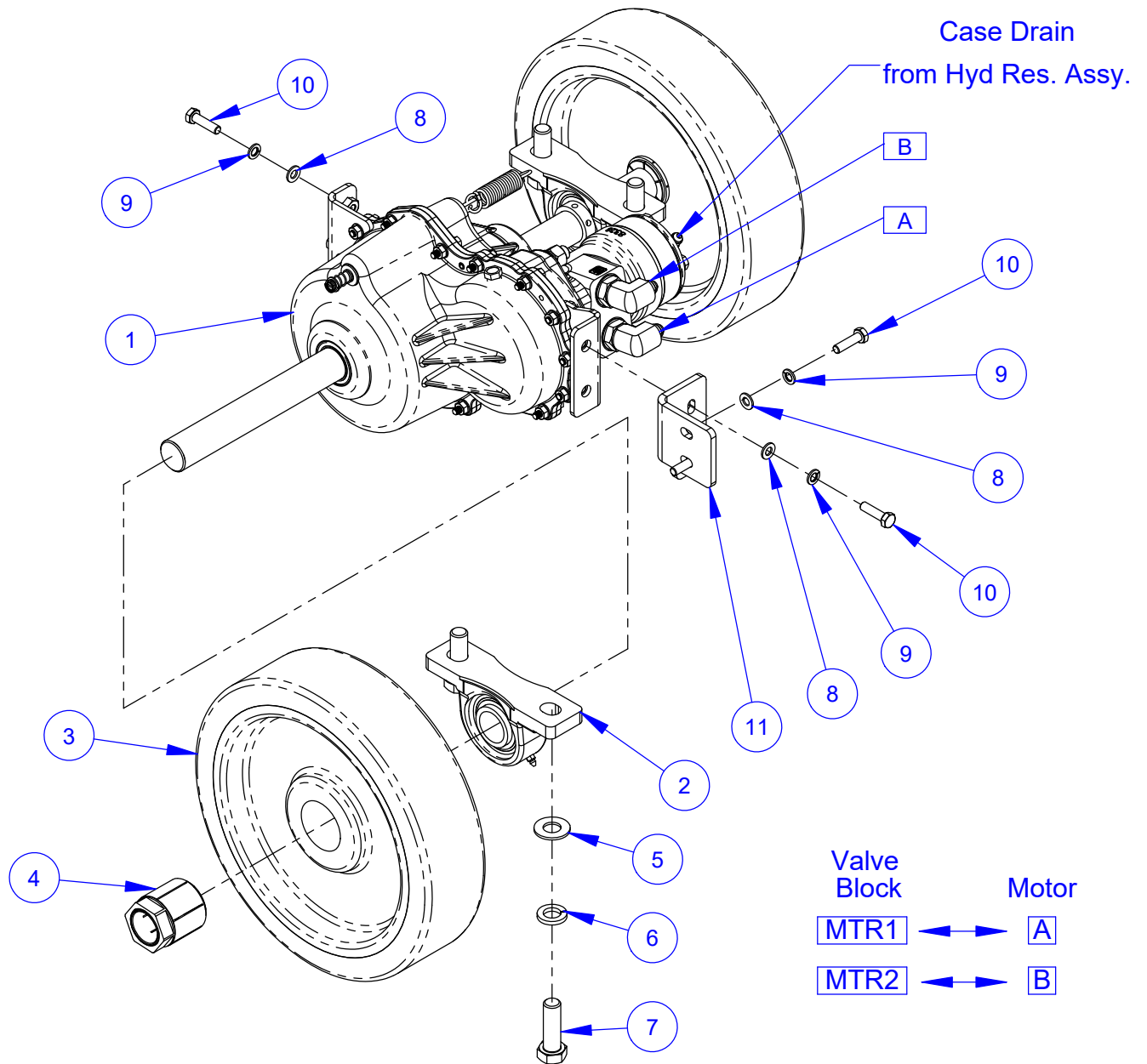
Transmission, Differnetial #6058178



Transmission, Differnetial #6058178

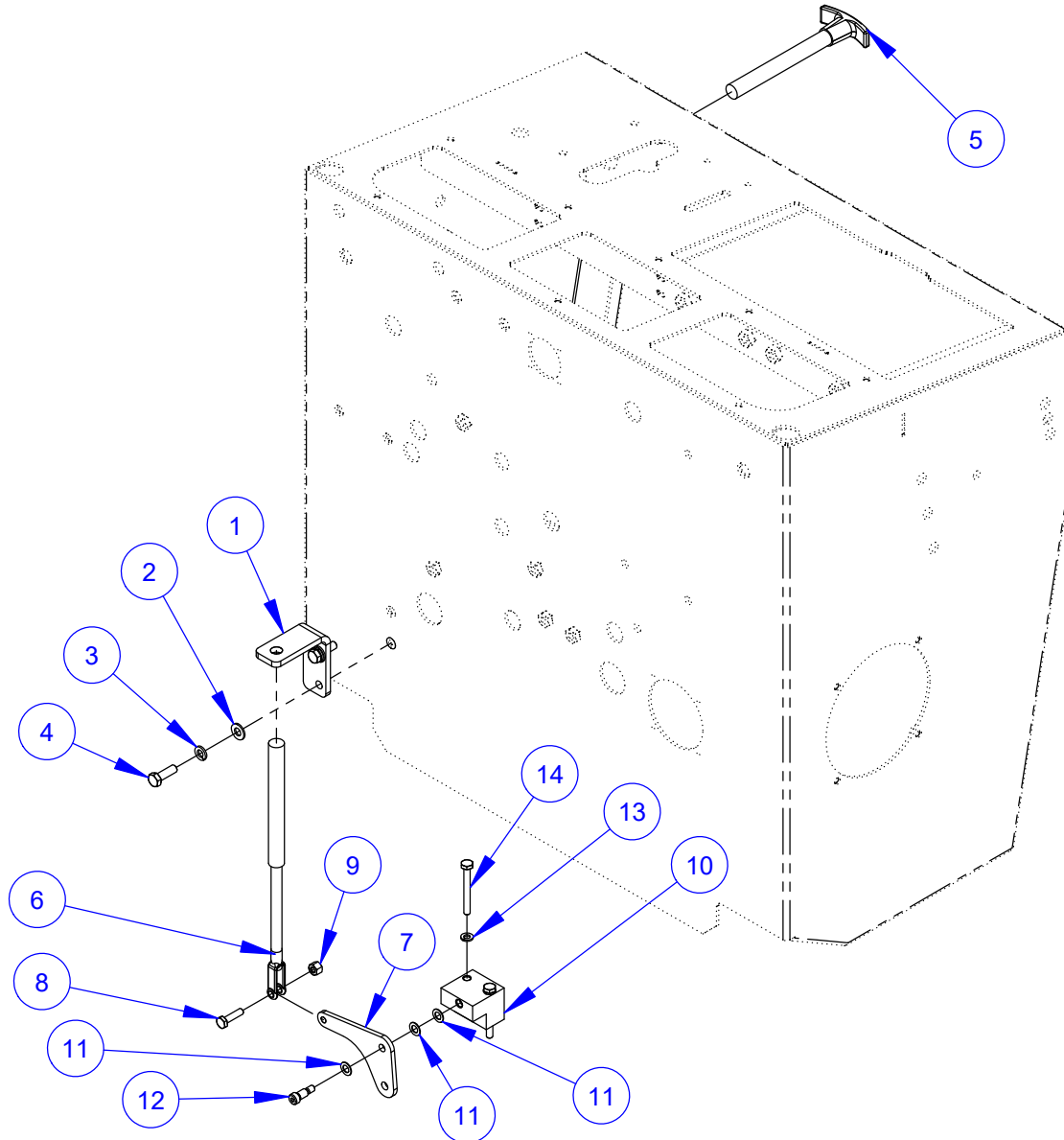
ITEM	PART NO.	QTY.	DESCRIPTION
1	6055006	1	Differential Assembly
2	6058233	1	Axle, LH
3	6058232	1	Axle, RH
4	6058267	2	Spacer, 1-1/8" x 2-1/2" x 5/32"
5	2500579	2	Retaining Ring, 1-1/4" External
6	2505396	2	Bearing, 1-1/4" x 2-1/2" x 5/8"
7	6058230	1	Housing, RH
8	6058231	1	Housing, LH
9	2900496	2	Spring Pin, 1/4" x 5/8"
10	3200067	1	Breather Vent, 1/4" NPT
11	2505374	2	Bearing, 3/8" x 7/16" x 1/2"
12	6058239	1	Diff Fork Assembly
13	2505373	2	Seal, 3/8" x 3/4" x 1/4"
14	2900014	1	Flat Washer, 3/8" SAE
15	2505392	1	Compression Spring
16	2900016	1	Flat Washer, #10 USS
17	2901412	1	Machine Screw, Hex Flange Hd., #10-24 x 1/2"
18	2503940	1	Extension Spring, 3/4 x .105 x 3.00"
19	2600746	1	Hydraulic Motor
20	3200214	1	Elbow, 1/4" M. O-Ring to 1/4" M. JIC
21	3202999	2	Elbow, 5/8" O-Ring to 3/8" M. JIC
22	6055005	1	Spur Gear, 33t, 8DP
23	2505674	1	Internal Retaining Ring
24	2900009	2	Flat Washer, 1/4" SAE
25	2900083	1	Fender Washer, 1/4" x 1-1/4"
26	2900144	1	Cap Screw, Hex Hd., 1/4-20 x 3/4"
27	2900084	2	Lock Washer, 1/2" Split
28	2900139	2	Cap Screw, Hex Hd., 1/2-13 x 1-3/4"
29	2900037	2	Hex Nut, 1/2-13
30	2900820	15	Cap Screw, Flange Hd., 1/4"-20 x 1"
31	2902145	15	Hex Flange Nut, 1/4-20
32	2501391	2	Seal, 1-1/4" x 1-3/4" x 1/4"
33	6058237	1	Differential Bracket
34	6058250	1	Support Bracket, Trans Front

Differential Assembly #6058126



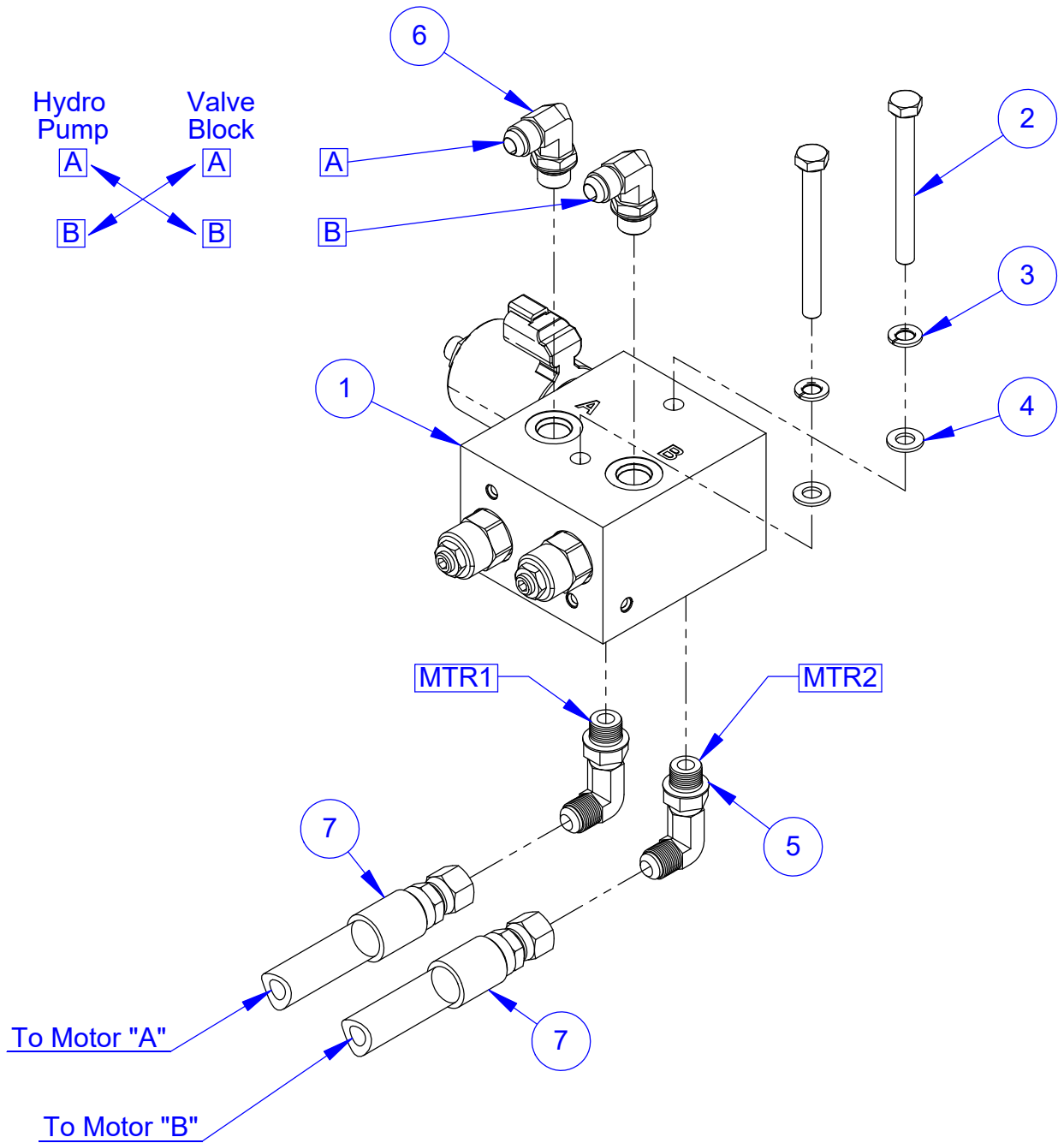
ITEM	PART NO.	QTY.	DESCRIPTION
1	6058178	1	Transmission, Differential
2	2500365	2	Pillow Block Bearing, 1-1/4"
3	2505187	2	12" Wheel
4	2500874	2	Trantorque Bushing, 1-1/4"
5	2900002	4	Flat Washer, 5/8" SAE
6	2900113	4	Lock Washer, 5/8" Split
7	2900136	4	Cap Screw, Hex Hd., 5/8-11 x 2"
8	2901336	6	Flat Washer, M8
9	2900763	6	Lock Washer, M8 Split
10	2900313	6	Cap Screw, Hex Hd., M8-1.25 x 30mm
11	6058251	1	Support Bracket, Trans Back

Differential Lock Assembly #6058142



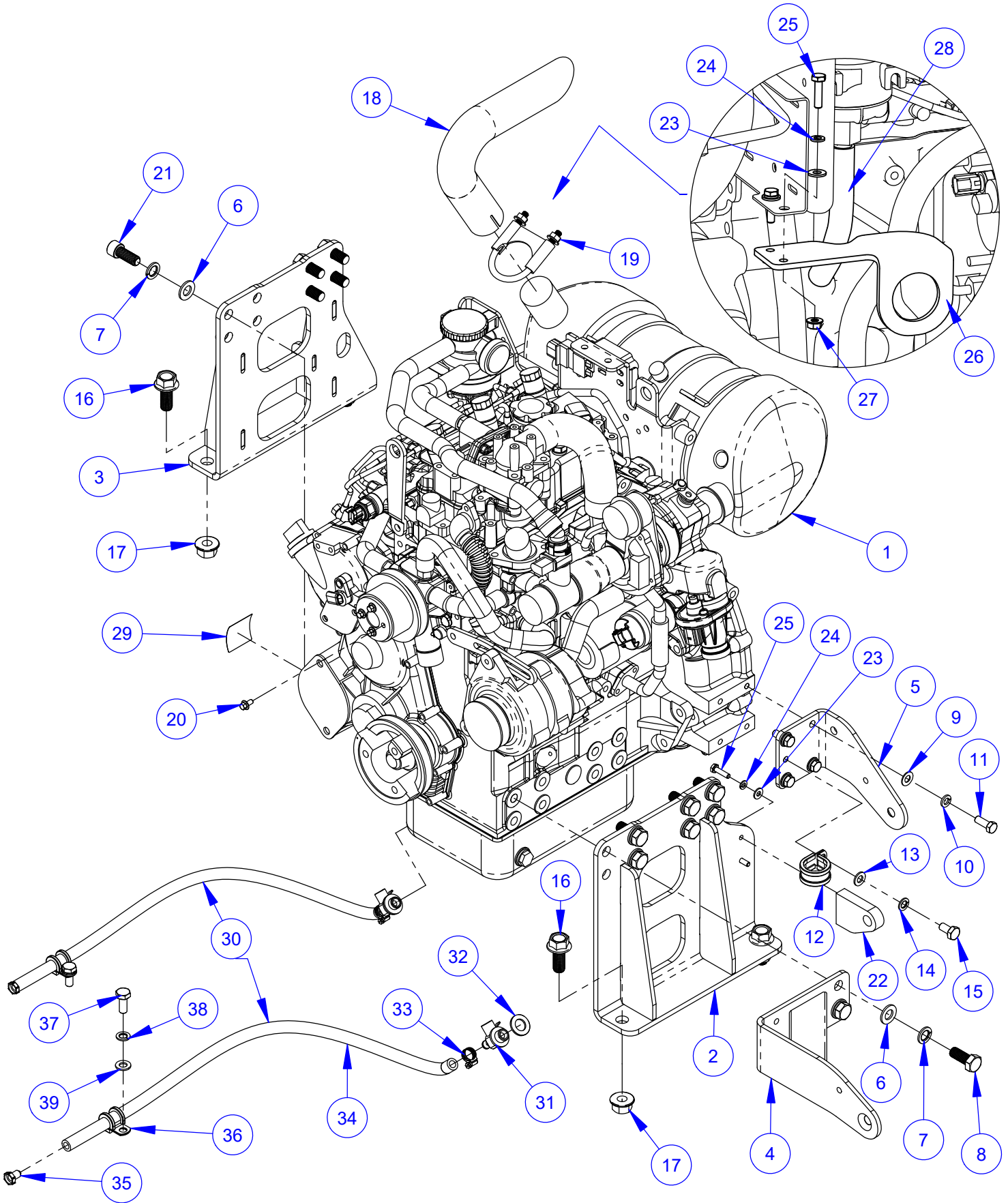
ITEM	PART NO.	QTY.	DESCRIPTION
1	6058255	1	Diff Lock Mount Bracket
2	2900022	2	Flat Washer, 5/16" SAE
3	2900031	2	Lock Washer, 5/16" Split
4	2900138	2	Cap Screw, Hex Hd., 5/16-18 x 1"
5	2501510	1	Throttle Cable
6	2900603	1	Clevis Yoke, #10-32
7	6058238	1	Diff Lock Bracket
8	2900008	1	Cap Screw, Hex Hd., 1/4-20 x 1"
9	2900010	1	Lock Nut, 1/4-20 Nylon
10	6058256	1	Diff Lock Block
11	2900889	3	Friction Washer, 5/16"
12	2900051	1	Shoulder Screw, 5/16" x 1/2" (1/4-20)
13	2900024	2	Lock Washer, 1/4" Split
14	2901000	2	Cap Screw, Hex Hd., 1/4-20 x 2-1/4"

Valve Block Assembly #6058137



ITEM	PART NO.	QTY.	DESCRIPTION
1	3201664	1	Valve Block Unit
2	2901141	2	Cap Screw, Hex Hd., M8-1.25 x 80mm
3	2900763	2	Lock Washer, M8 Split
4	2901336	2	Flat Washer, M8
5	3200272	2	Long Elbow, 3/8" O-Ring to 3/8" M. JIC
6	3200271	2	Elbow, 3/8" O-Ring to 3/8" M. JIC
7	6001281	2	Hose Assembly 3/8" x 24"

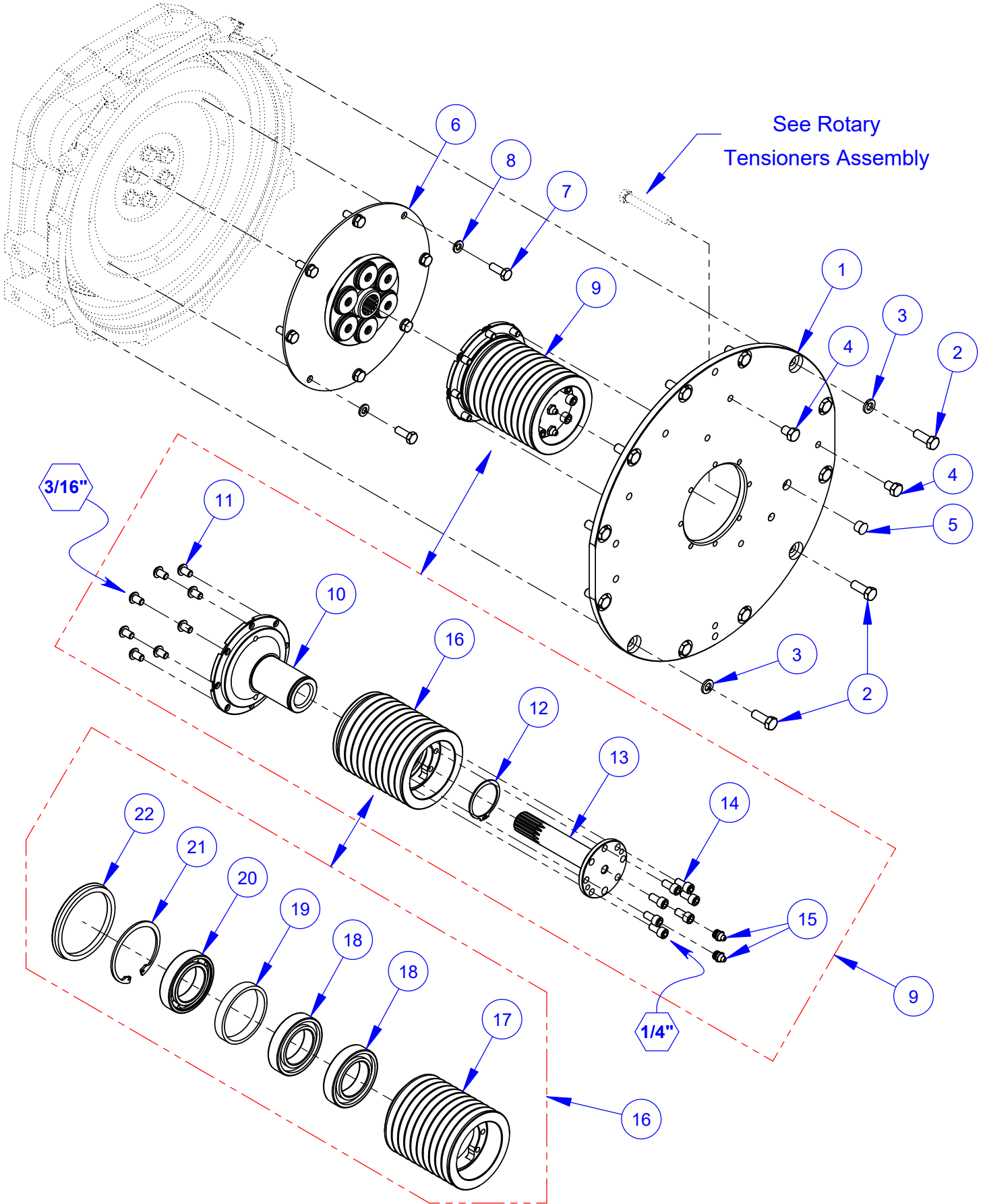
Engine Assembly #6058115



Engine Assembly #6058115

ITEM	PART NO.	QTY.	DESCRIPTION
1	2600745	1	Engine, CAT C1.7 Stage V
2	6058226	1	Engine Support, Front
3	6058225	1	Engine Support, Rear
4	6058209	1	Radiator Bracket
5	6058210	1	Radiator Arm, Lower Right
6	2900326	16	Flat Washer, M14
7	2900875	16	Lock Washer, M14 Split
8	2900874	15	Cap Screw, Hex Hd., M14-1.5 x 35mm
9	2900014	4	Flat Washer, 3/8" SAE
10	2900006	4	Lock Washer, 3/8" Split
11	2900005	4	Cap Screw, Hex Hd., 3/8-16 x 1"
12	2504465	1	Hose Clamp, 1-1/4" x 3/4" Wide
13	2901356	1	Flat Washer, M10
14	2900321	1	Lock Washer, M10 Split
15	2900314	1	Cap Screw, Hex Hd., M10-1.5 x 20mm
16	2900164	4	Cap Screw, Flange Hd., 5/8-11 x 1-1/2"
17	2900491	4	Lock Nut, 5/8-11 Flanged
18	6001270	1	Exhaust Tailpipe
19	2700748	1	Muffler Clamp 2"
20	2901370	4	Cap Screw, Hex Flange, M6-1.0 x 12mm
21	2902534	1	Cap Screw, Soc Hd., M14-1.5 x 35mm
22	6058249	1	Tensioner Anchor
23	2900009	4	Flat Washer, 1/4" SAE
24	2900024	4	Lock Washer, 1/4" Split
25	2900008	4	Cap Screw, Hex Hd., 1/4-20 x 1"
26	6058259	1	Bracket, EIC
27	2902145	2	Hex Flange Nut, 1/4-20
28	6001096	1	Split Loom, 13/16" OD x 7.5" Long
29	1803185	1	Emission Control Info Label (Incl. w/ Engine)
30	6001036	1	Oil Drain Assembly
ITEM	PART NO.	QTY.	DESCRIPTION
31	3202943	1	Oil Drain Valve, M16x1.5
32	2704931	1	Sealing Washer
33	3200390	1	Hose Clamp #6
34	6001279	1	Hose, 3/8" I.D. x 28"
35	3200741	1	Hose Plug
36	2501434	1	Hose Clamp, 5/8" x 3/4" Wide
37	2900333	1	Cap Screw, Hex Hd., M10-1.5 x 25mm
38	2900321	1	Lock Washer, M10 Split
39	2901356	1	Flat Washer, M10

PTO Assembly #6001040



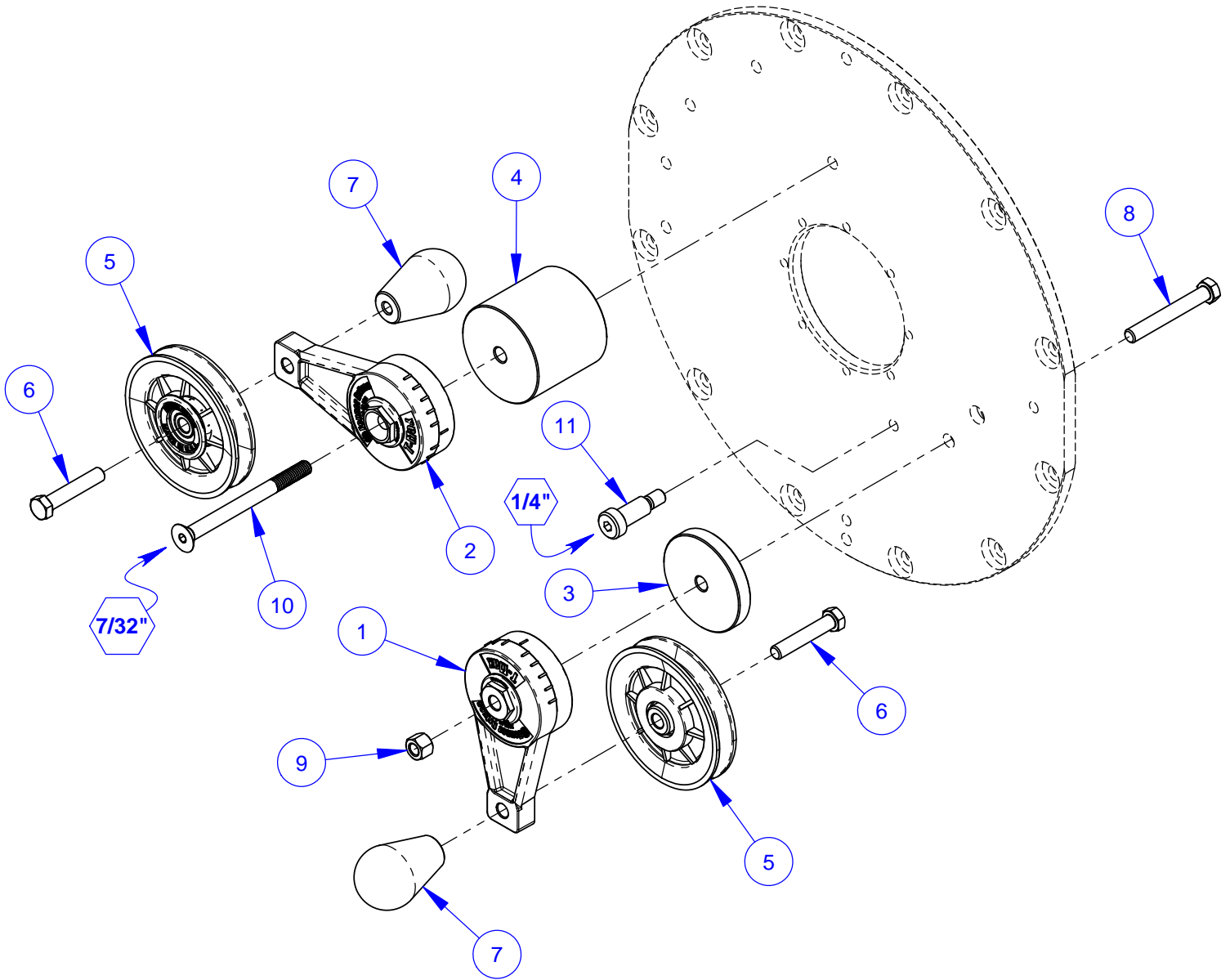
PTO Assembly #6001040

ITEM	PART NO.	QTY.	DESCRIPTION
1	6001200	1	Inner Ring Support
2	2900005	12	Cap Screw, Hex Hd., 3/8-16 x 1"
3	2900006	11	Lock Washer, 3/8" Split
4	2901066	2	Cap Screw, Hex Hd., 3/8-16 x 1/2"
5	2500204	1	Plug, 1/2" Hole
6	2505300	1	Flywheel Coupling
7	2900668	8	Cap Screw, Hex Hd., 5/16-18 x 7/8"
8	2900031	8	Lock Washer, 5/16" Split
9	6001041	1	PTO Unit

ITEM	PART NO.	QTY.	DESCRIPTION
10	6001201	1	Shaft Support Sleeve
11	2902196	8	Cap Screw, Button Hd., 5/16-18 x 1/2"
12	2503758	1	Retaining Ring, 45mm External
13	6017224	1	Splined Drive Shaft
14	2900898	7	Cap Screw, Soc. Hd., 5/16-18 x 5/8"
15	2900062	2	Grease Fitting, 1/8" NPT
16	6001042	1	Sheave Assembly

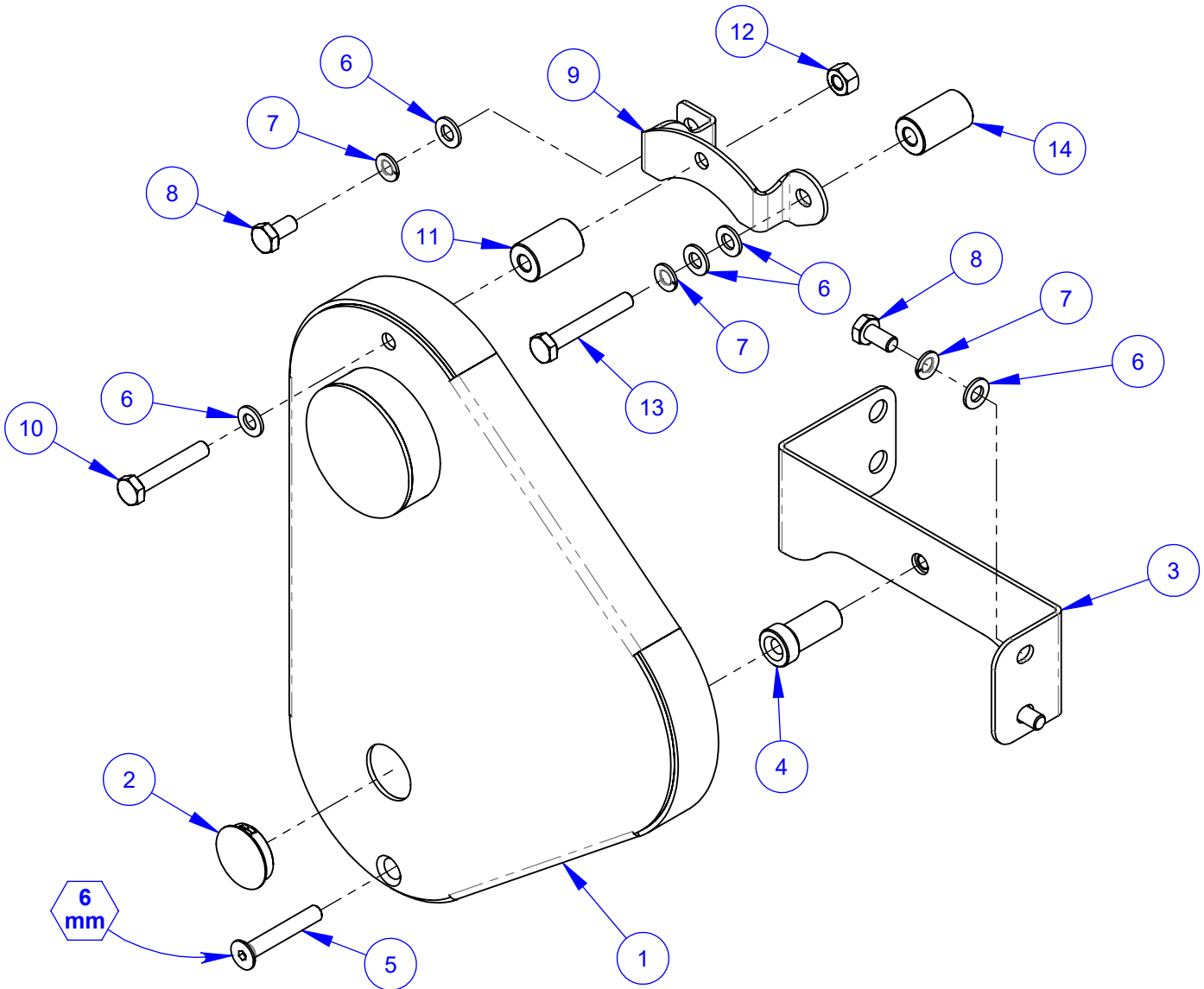
ITEM	PART NO.	QTY.	DESCRIPTION
17	6001313	1	Sheave, 4" x 10 Groove
18	2503760	2	Ball Bearing, 45 x 75 x 16 open
19	6019066	1	Bearing Spacer, 75 x 12
20	2503759	1	Ball Bearing, 45 x 75 x 16 w/seal
21	2503757	1	Retaining Ring, 75mm Internal
22	2503756	1	Seal, 80mm V-Ring

Rotary Tensioners Assembly #6001043



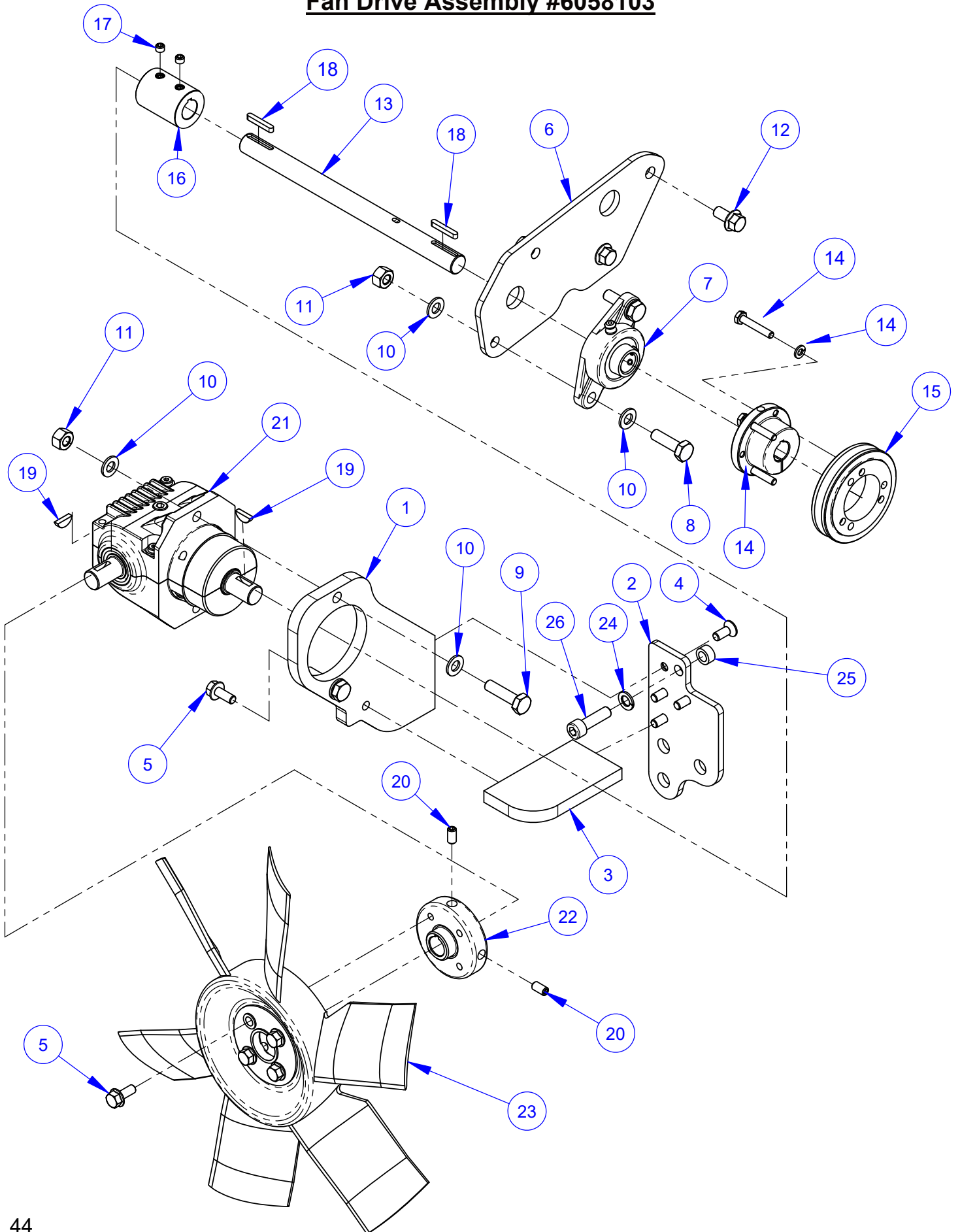
ITEM	PART NO.	QTY.	DESCRIPTION
1	2504855	1	Rotary Tensioner
2	6001310	1	Rotary Tensioner
3	6001247	1	Rotary Tensioner Spacer
4	6001291	1	Rotary Tensioner Spacer
5	2505312	2	Idler Pulley 4"
6	2900366	2	Tap Screw, Hex Hd., 3/8-16 x 2"
7	2505304	2	Knob, 3/8-16
8	2900028	1	Cap Screw, Hex Hd., 3/8-16 x 2-3/4"
9	2900018	1	Locknut, 3/8-16, Nylon
10	2902447	1	Cap Screw, Flat Hd., 3/8-16 x 4-1/2"
11	2900587	1	Shoulder Screw, 1/2" x 1" (3/8-16)

Engine Belt Guard Assembly #6058127



ITEM	PART NO.	QTY.	DESCRIPTION
1	6058241	1	Belt Guard, Engine
2	2500554	1	Plug, 1-1/2" Hole
3	6058240	1	Belt Guard Mount
4	6019326	1	Guard Post
5	2902405	1	Cap Screw, Flat Hd., M10-1.5 x 65mm
6	2901356	6	Flat Washer, M10
7	2900321	4	Lock Washer, M10 Split
8	2900314	3	Cap Screw, Hex Hd., M10-1.5 x 20mm
9	6058242	1	Guard Upper Mount
10	2900338	1	Cap Screw, Hex Hd., M10-1.5 x 60mm
11	6058213	1	Spacer, 1" x .4" x 1.55"
12	2900304	1	Lock Nut, M10-1.5 Nylon Insert
13	2900334	1	Cap Screw, Hex Hd., M10-1.5 x 70mm
14	6058224	1	Spacer, 1" x 7/16" x 1-11/16"

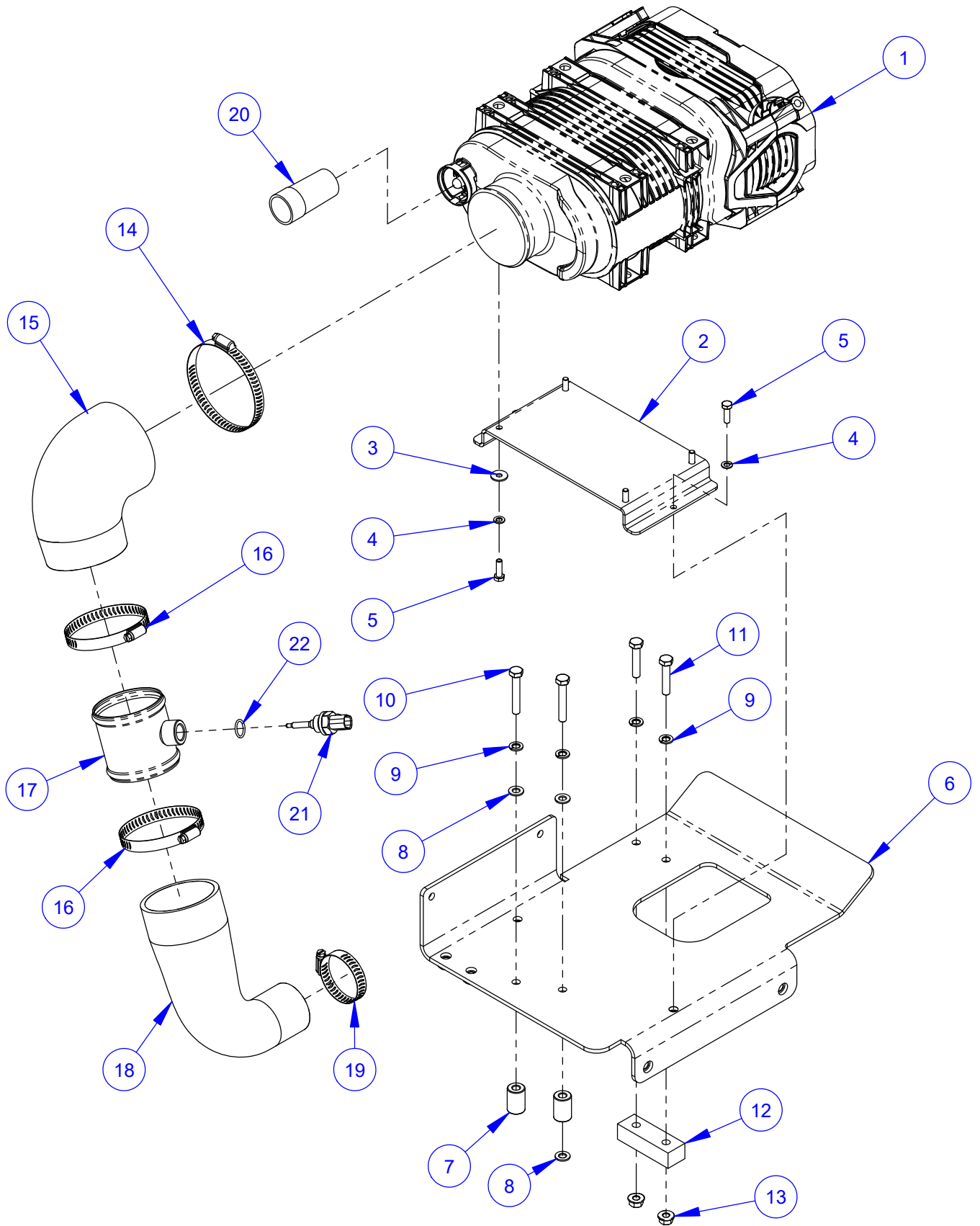
Fan Drive Assembly #6058103



Fan Drive Assembly #6058103

ITEM	PART NO.	QTY.	DESCRIPTION
1	6058135	1	Fan Drive Support Plate
2	6058136	1	Fan Drive Mount Plate
3	6001359	1	Fan Drive Support Gusset
4	2900611	4	Cap Screw, Flat Hd., M8-1.25 x 20mm
5	2900634	5	Cap Screw, Hex Flange, M8-1.25 x 20mm
6	6058161	1	Bearing Support Plate
7	2500011	1	Bearing, 3/4" Flange Block
8	2900315	2	Cap Screw, Hex Hd., M10-1.5 x 35mm
9	2900316	2	Cap Screw, Hex Hd., M10-1.5 x 40mm
10	2901356	8	Flat Washer, M10
11	2900304	4	Lock Nut, M10-1.5 Nylon Insert
12	2901394	2	Flange Bolt, Hex Hd., M10-1.25 x 20mm
13	6001290	1	Fan Drive Shaft Extension
14	2503845	1	QD Bushing, SH x 3/4" w/Fasteners
	2900056	1	Set Screw, Soc. Hd., 1/4-20 x 1/4"
	2900048	3	Cap Screw, Hex Hd., 1/4-20 x 1-1/2"
	2900024	3	Lock Washer, 1/4" Split
15	2503672	1	Sheave, 3.65"
16	2505314	1	Shaft Coupling
17	2900036	2	Set Screw, Soc. Hd., 5/16-18 x 1/4"
18	2505321	2	Key, 3/16" Sq. x 1-1/4"
19	2901327	2	Woodruff Key #9, 3/16" x 3/4"
20	2900418	2	Set Screw, Soc. Hd., 5/16-18 x 5/8"
21	6001312	1	Right Angle Drive
22	6001362	1	Fan Hub Adapter
23	2705234	1	Cooling Fan
24	2900321	1	Lock Washer, M10 Split
25	6058175	1	Spacer, 10mm x 16mm x 8mm
26	2901505	1	Cap Screw, Soc. Hd., M10-1.5 x 35mm

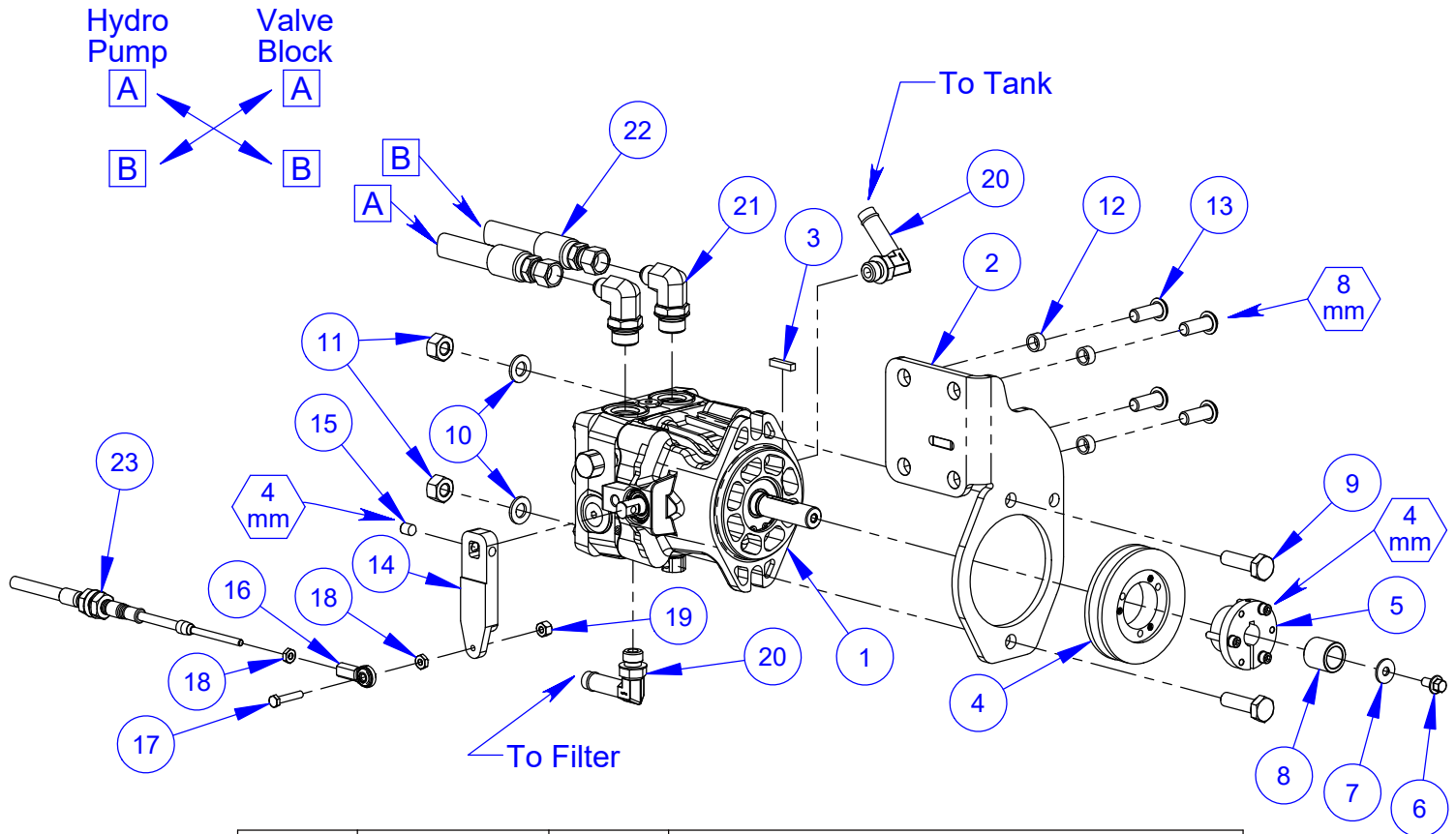
Air Intake Assembly #6058128



Air Intake Assembly #6058128

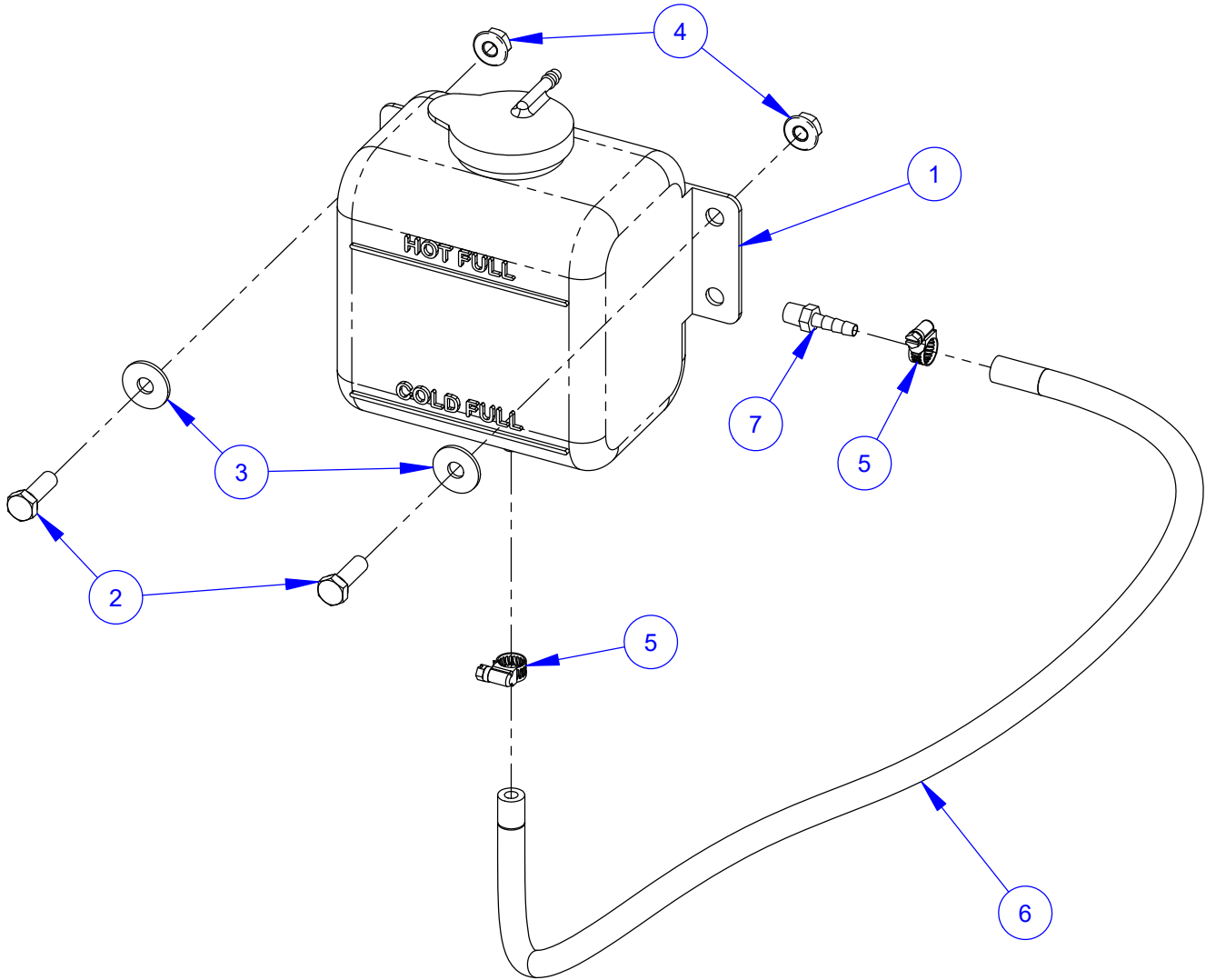
ITEM	PART NO.	QTY.	DESCRIPTION
1	2507368	1	Air Cleaner, Complete
	2506216	1	Primary Outer Filter
	2506933	1	Inner Safety Filter
	2500339	1	Rubber Dust Ejector Boot
2	6058244	1	Air Cleaner Mount
3	2901359	4	Fender Washer, M6
4	2900765	6	Lock Washer, M6 Split
5	2900310	6	Cap Screw, Hex Hd., M6-1.0 x 20mm
6	6058243	1	Air Cleaner Bracket
7	6058246	2	Spacer
8	2901336	3	Flat Washer, M8
9	2900763	4	Lock Washer, M8 Split
10	2907018	2	Cap Screw, Hex Hd., M8-1.25 x 50mm
11	2900792	2	Cap Screw, Hex Hd., M8-1.25 x 40mm
12	6058245	1	Spacer Block
13	2902012	2	Hex Flange Nut, M8-1.25
14	3200198	1	Hose Clamp #64
15	2500458	1	Hose Elbow, 3" to 3-1/2" I.D.
16	3200197	3	Hose Clamp #52
17	6058172	1	Beaded Coupler, Welded
18	6001339	1	Air Intake Hose
19	3200095	1	Hose Clamp #32
20	2500423	1	Restriction Indicator
21	2704952	1	Temperature Sensor
22	2704953	1	O-Ring Seal

Hydro Pump Assembly #6058106



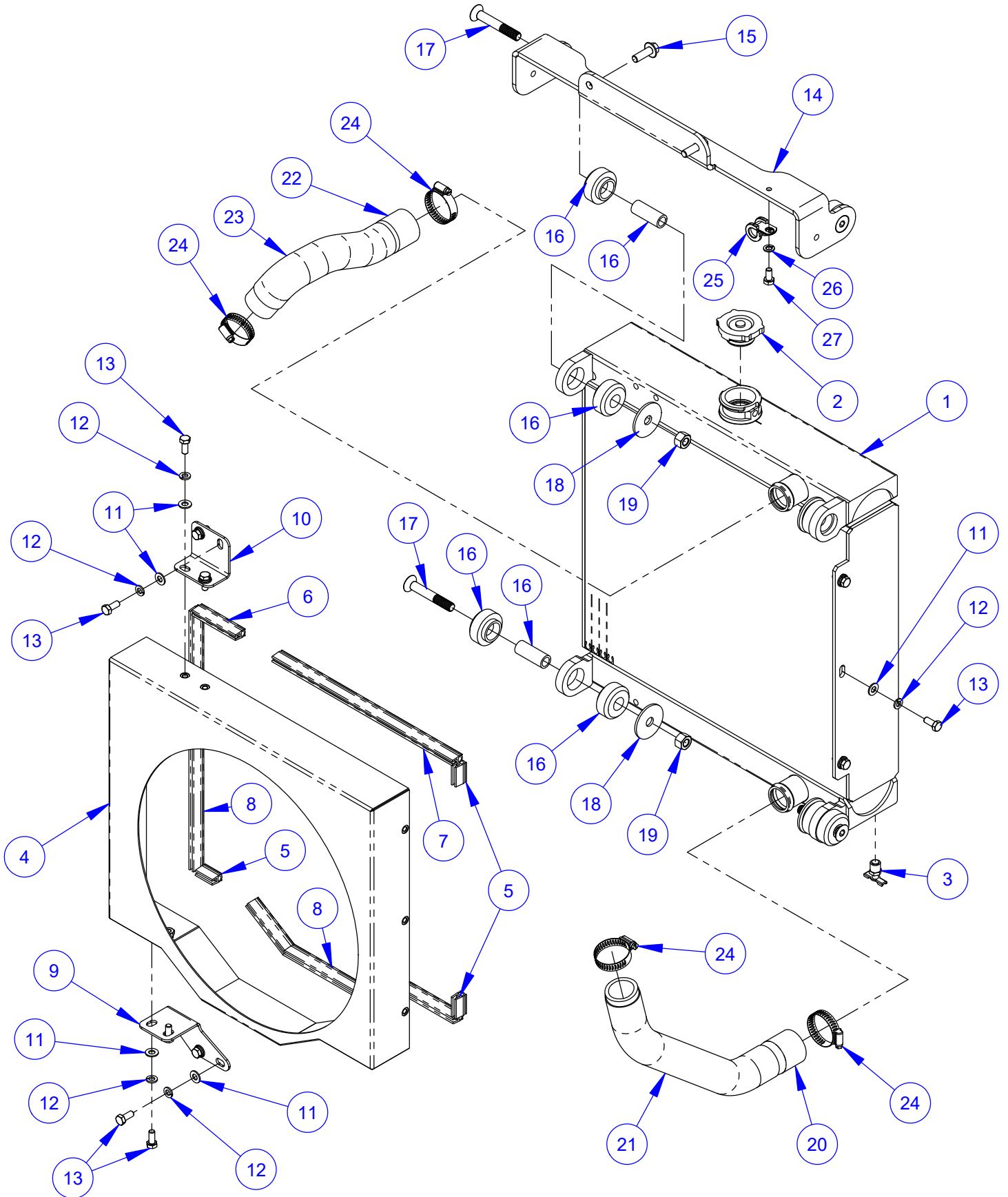
ITEM	PART NO.	QTY.	DESCRIPTION
1	2600735	1	Hydro Pump
2	6001217	1	Hydro Pump Mount
3	6047978	1	Key, 3/16" Sq. x 27/32"
4	2505302	1	Sheave, 3.35"
5	2505303	1	QD Bushing, JA x 5/8" w/Fasteners
6	2901370	1	Cap Screw, Hex Flange, M6-1.0 x 12mm
7	2901359	1	Fender Washer, M6
8	6001259	1	Spacer, 21mm long
9	2900315	2	Cap Screw, Hex Hd., M10-1.5 x 35mm
10	2901356	2	Flat Washer, M10
11	2900304	2	Lock Nut, M10-1.5 Nylon Insert
12	2506951	4	Sleeve Bearing, 3/8"
13	2902087	4	Cap Screw, Button Hd., 3/8-16 x 1"
14	6017137	1	Control Arm
15	2900429	1	Set Screw, Soc. Hd., 5/16-24 x 1/2"
16	2500791	1	Rod End, #10-32 Female
17	2900687	1	Machine Screw, Hex Hd., #10-32 x 1"
18	2900188	2	Hex Nut, #10-32
19	2900688	1	Lock Nut, #10-32 Nylon
20	3202892	2	Elbow, 3/8" O-Ring to 1/2" Hose Bead
21	3201725	2	Elbow, 1/2" O-Ring to 3/8" M. JIC
22	6001281	2	Hose Assembly 3/8" x 24"
23	2505311	1	Control Cable 46"

Coolant Tank Assembly #6058401



ITEM	PART NO.	QTY.	DESCRIPTION
1	2503716	1	Coolant Recovery Tank & Cap
2	2900360	2	Cap Screw, Hex Hd., M8-1.25 x 25mm
3	2900383	2	Fender Washer, M8
4	2902012	2	Hex Flange Nut, M8-1.25
5	3200062	2	Hose Clamp #4
6	6058555	1	Hose, 1/4" I.D. x 30" Long
7	3200018	1	Fitting, 1/8" M. Pipe to 1/4" Hose Barb

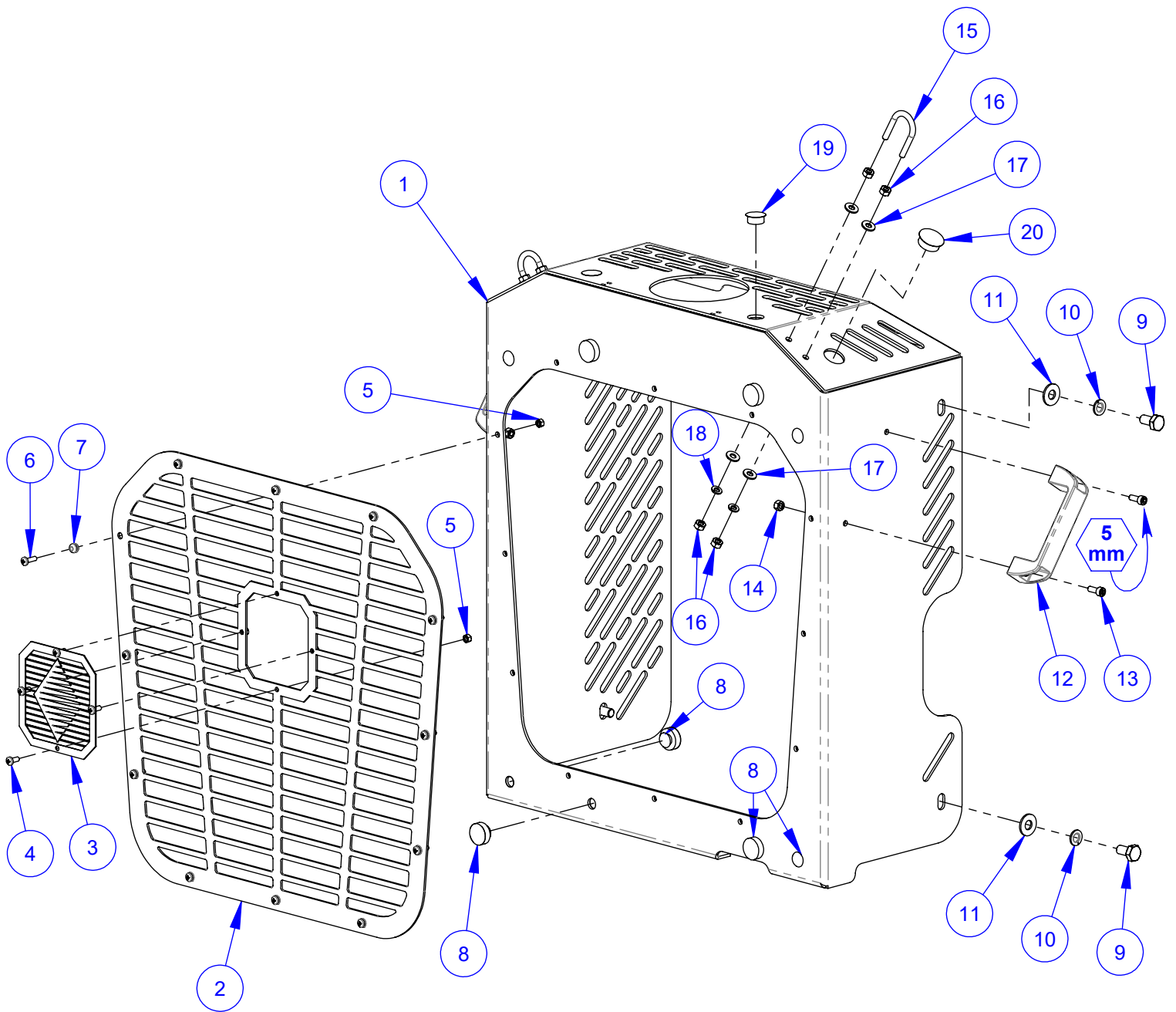
Radiator Assembly #6058122



Radiator Assembly #6058122

ITEM	PART NO.	QTY.	DESCRIPTION
1	2503664	1	Radiator
2	2502381	1	Radiator Cap
3	3200035	1	Petcock, 1/4" NPT
4	6058123	1	Fan Shroud
5	6019114	3	Edge Trim Seal 1-1/4"
6	6019416	1	Edge Trim Seal 3-1/4"
7	6019417	1	Edge Trim Seal 13-1/2"
8	6019418	2	Edge Trim Seal 16-3/4"
9	6058125	1	Retainer Bracket, Lower
10	6058124	1	Retainer Bracket, Upper
11	2900022	11	Flat Washer, 5/16" SAE
12	2900031	11	Lock Washer, 5/16" Split
13	2900019	11	Cap Screw, Hex Hd., 5/16-18 x 3/4"
14	6058215	1	Radiator Arm, Upper
15	2902074	2	Cap Screw, Hex Flange, M10-1.5 x 30mm
16	2503669	4	Vibration Isolator
17	2901391	4	Cap Screw, Flat Hd., M12-1.75 x 80mm
18	2900854	4	Fender Washer, 1/2" x 2"
19	2900327	4	Lock Nut, M12-1.75 Nylon Insert
20	6058313	1	Lower Radiator Hose
21	6058139	1	Hose Sleeving, 12" Long
22	3202990	1	Radiator Hose, Upper
23	6058138	1	Hose Sleeving, 7" Long
24	3202142	4	Hose Clamp #24
25	2501434	1	Hose Clamp, 5/8" x 3/4" Wide
26	2900763	1	Lock Washer, M8 Split
27	2900868	1	Cap Screw, Hex Hd., M8-1.25 x 16mm

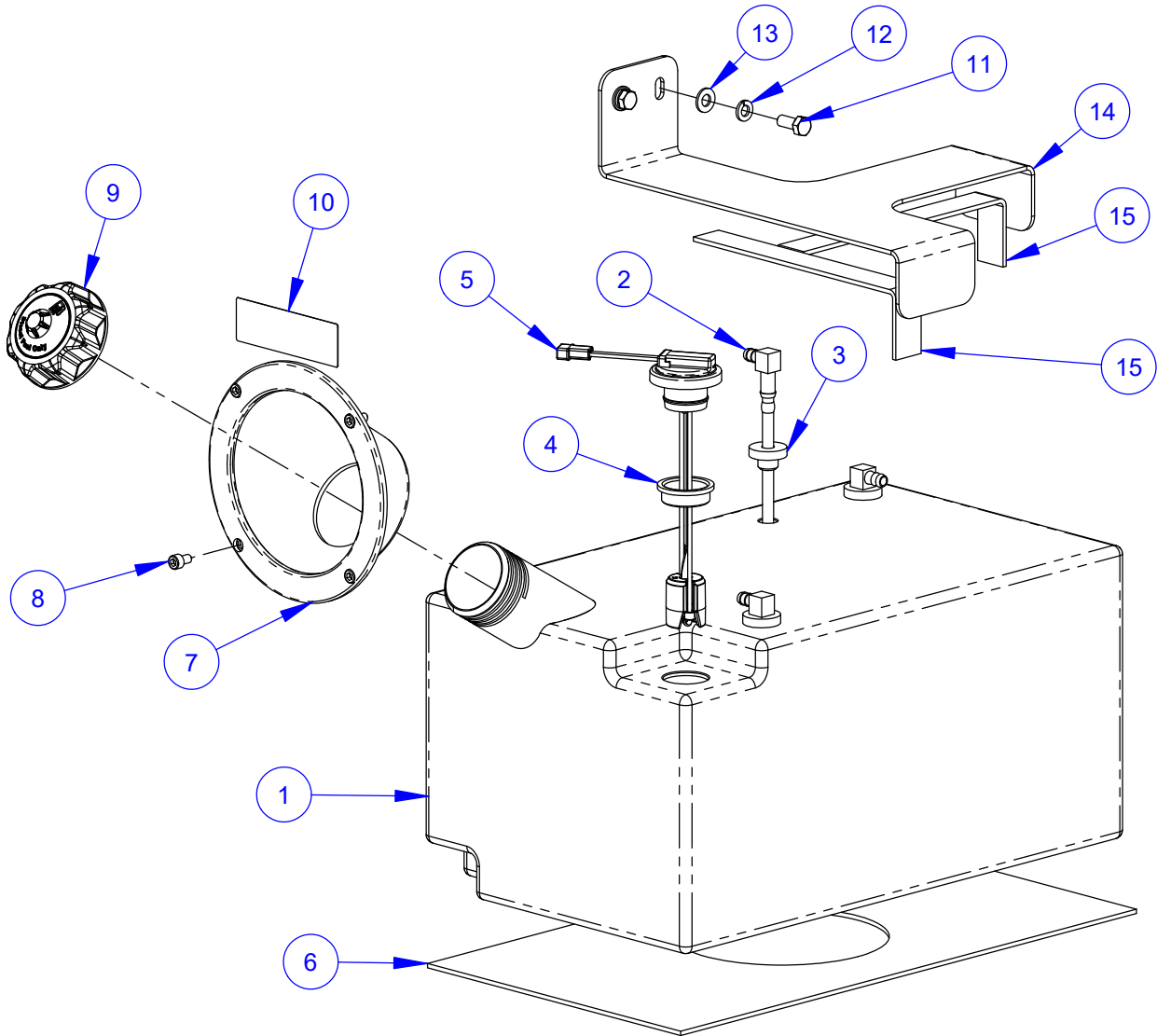
Radiator Shroud Assembly #6058133



Radiator Shroud Assembly #6058133

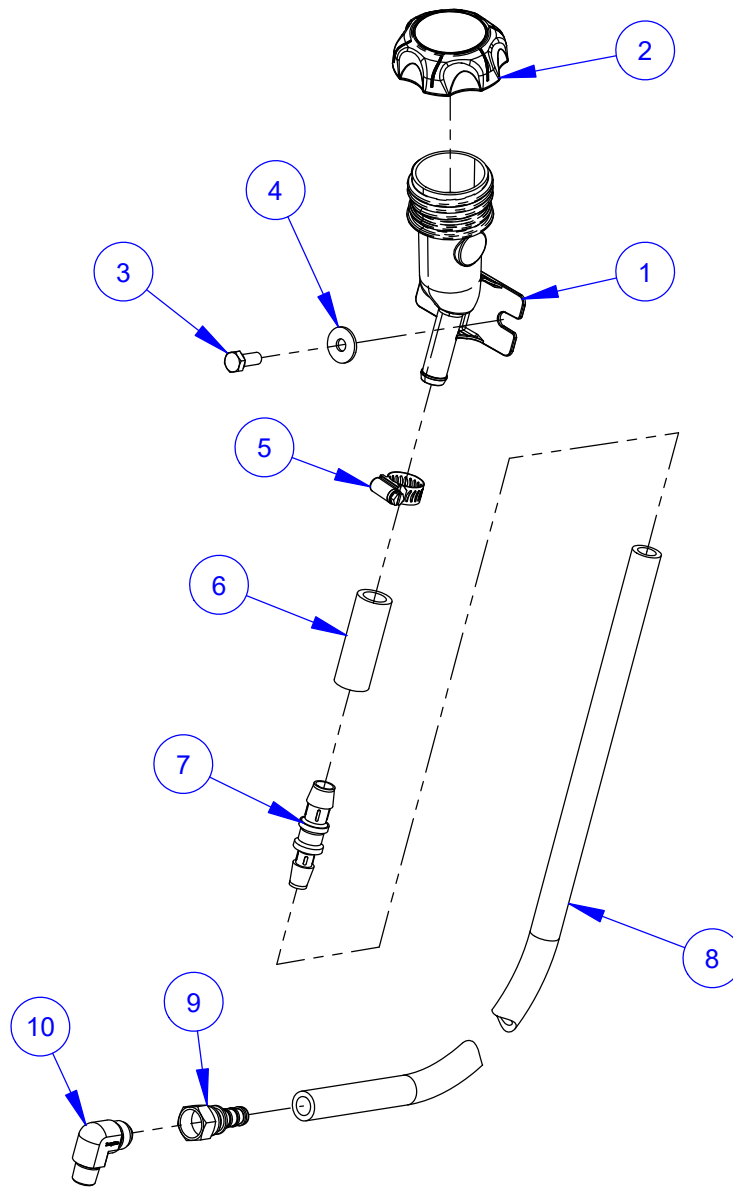
ITEM	PART NO.	QTY.	DESCRIPTION
1	6058248	1	Radiator Shroud
2	6016182	1	Radiator Grille
3	6016138	1	Diamond Logo Emblem
4	2900794	4	Machine Screw, Pan Hd., M5-0.8 x 12mm
5	2900301	16	Lock Nut, M5-0.8 Nylon Insert
6	2902122	12	Machine Screw, Pan Hd., M5-0.8 x 16mm
7	2500962	12	Grommet, 3/16" I.D.
8	2502389	8	Button Bumper
9	2900314	4	Cap Screw, Hex Hd., M10-1.5 x 20mm
10	2900321	4	Lock Washer, M10 Split
11	2900473	4	Flat Washer, 3/8" USS
12	2400145	2	Handle
13	2900553	4	Cap Screw, Soc. Hd., M6-1.0 x 16mm
14	2900302	4	Lock Nut, M6-1.0 Nylon Insert
15	2900241	2	U-Bolt, 1/2" Pipe
16	2900125	8	Hex Nut, 1/4-20
17	2900009	8	Flat Washer, 1/4" SAE
18	2900024	4	Lock Washer, 1/4" Split
19	2500463	2	Plug, 3/4" Hole
20	2500489	1	Plug, 1" Hole

Fuel Tank Assembly #6058121



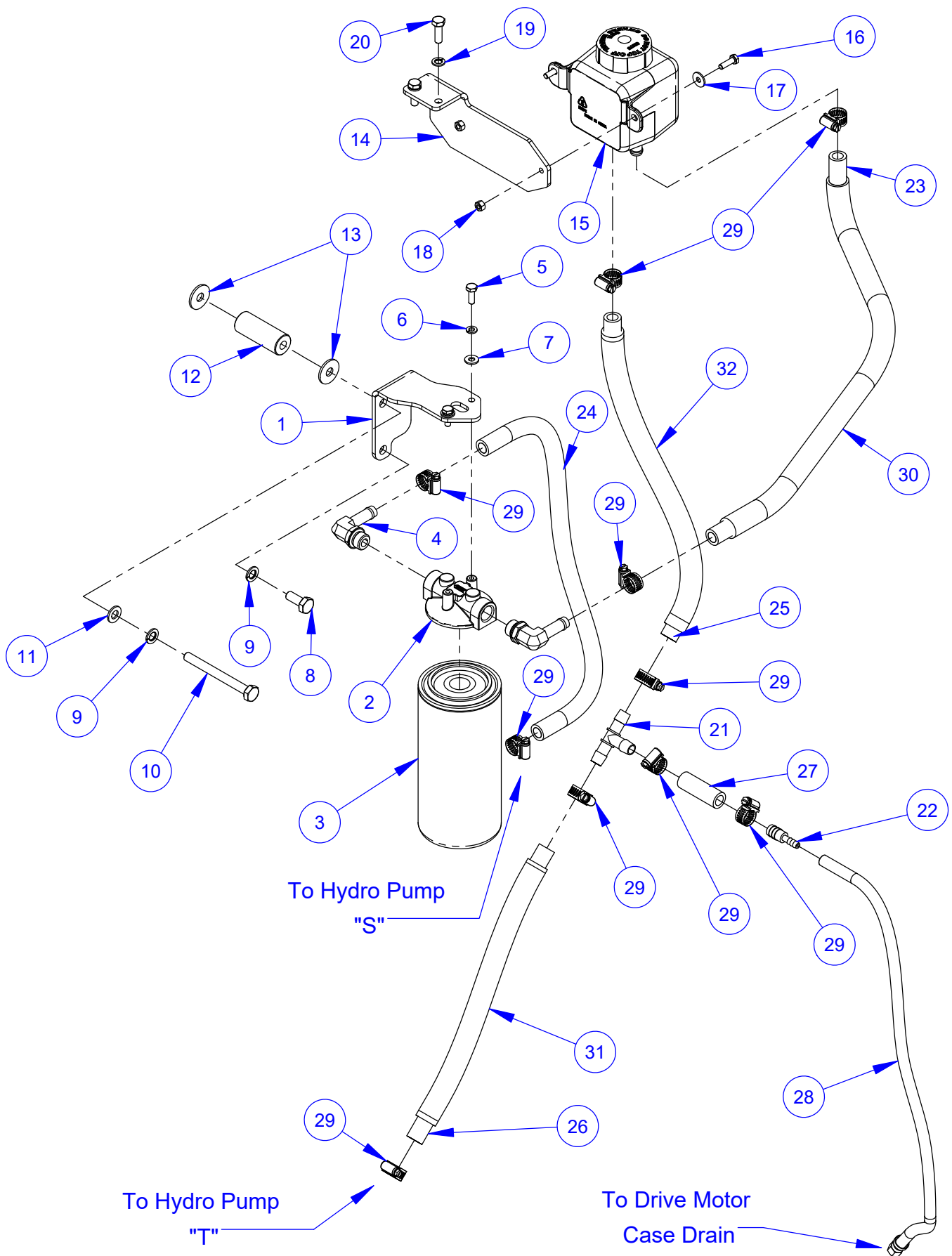
ITEM	PART NO.	QTY.	DESCRIPTION
1	6058130	1	Fuel Tank
2	2503708	3	Tank Elbow with Tube
3	2501215	3	Bushing, Tank (Rubber)
4	2503963	1	Grommet, Fuel Sender
5	2505168	1	Fuel Level Sender 7"
6	6001204	1	Tank Cushion
7	6058252	1	Fuel Bezzel
8	2900564	4	Cap Screw, Soc. Hd., M6-1.0 x 10mm
9	2505675	1	Fuel Tank Cap, Diesel
10	1802121	1	Diesel Fuel Decal
11	2900019	2	Cap Screw, Hex Hd., 5/16-18 x 3/4"
12	2900031	2	Lock Washer, 5/16" Split
13	2900022	2	Flat Washer, 5/16" SAE
14	6058254	1	Fuel Tank Bracket
15	2500216	2	Foam Tape, 1/8" x 1" x 10"

Filler Spout Assembly #6058402



ITEM	PART NO.		DESCRIPTION
1	2506093	1	Spout, Remote Filler
2	2506094	1	Cap, Vented
3	2900329	2	Cap Screw, Hex Hd., M8-1.25 x 20mm
4	2900383	2	Fender Washer, M8
5	3200016	1	Hose Clamp #8
6	6016246	1	Hose, 5/8" ID x 2-1/2" Long
7	3202899	1	Reducer, 5/8" to 1/2" Hose Barb
8	6013068	1	Hose, 1/2" ID x 36"
9	3200181	1	Fitting, 1/2" F. JIC to 1/2" Pushlok
10	3201886	1	Elbow, 1/2" M. JIC to 3/8" M. Pipe

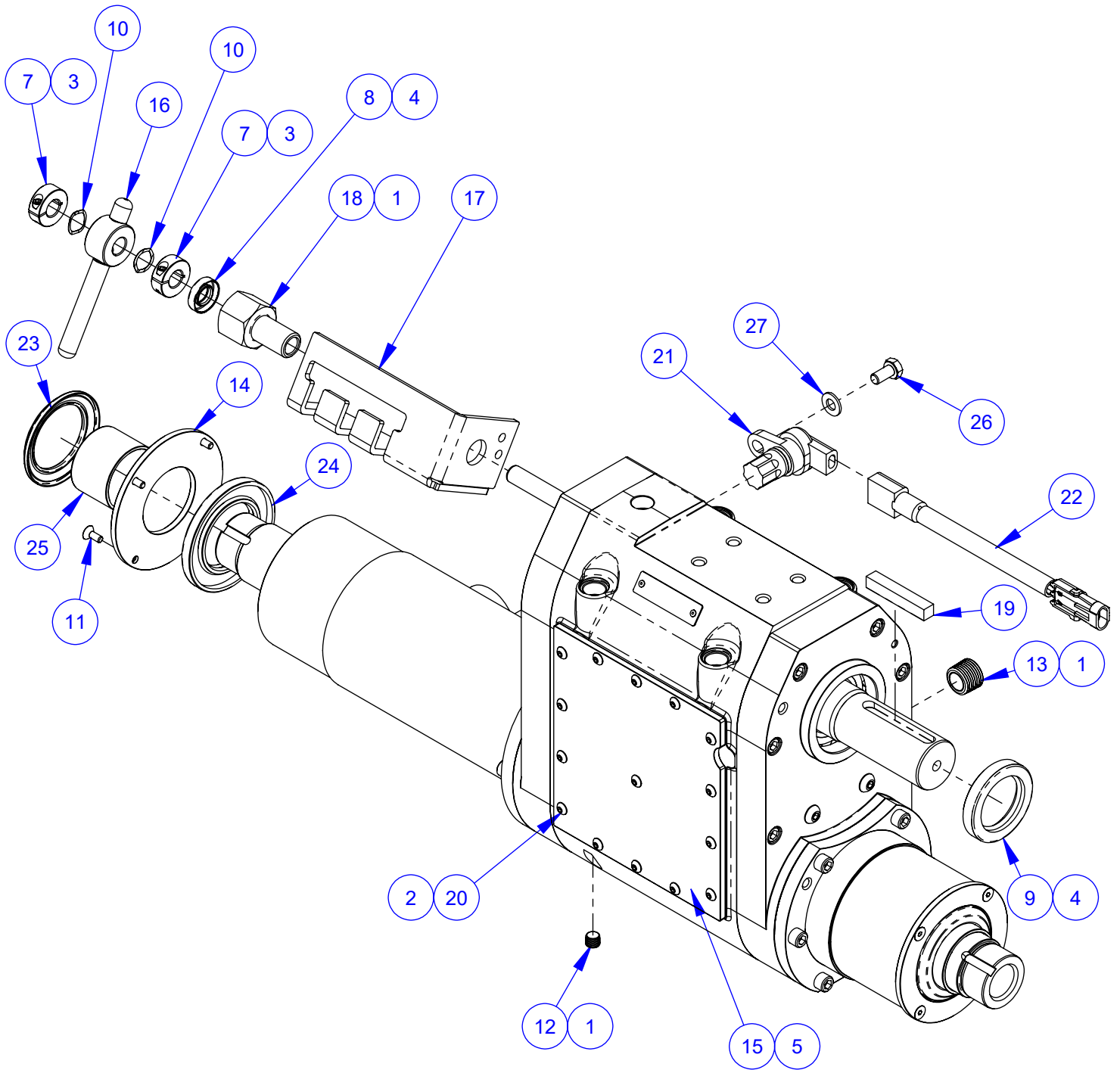
Reservoir Tank Assembly #6058131



Reservoir Tank Assembly #6058131

ITEM	PART NO.	QTY.	DESCRIPTION
1	6001245	1	Oil Filter Mount Bracket
2	3201970	1	Filter Head
3	3201971	1	Filter Element
4	3201896	2	Elbow, 1/2" O-Ring to 1/2" Hose Bead
5	2900144	2	Cap Screw, Hex Hd., 1/4-20 x 3/4"
6	2900024	2	Lock Washer, 1/4" Split
7	2900009	2	Flat Washer, 1/4" SAE
8	2900333	1	Cap Screw, Hex Hd., M10-1.5 x 25mm
9	2900321	2	Lock Washer, M10 Split
10	2900320	1	Cap Screw, Hex Hd., M10-1.5 x 100mm
11	2901356	1	Flat Washer, M10
12	6001246	1	Mount Spacer
13	2901360	2	Fender Washer, M10
14	6058132	1	Reservoir Tank Mount Bracket
15	2503796	1	Reservoir Tank & Cap
16	2900310	2	Cap Screw, Hex Hd., M6-1.0 x 20mm
17	2901359	2	Fender Washer, M6
18	2900302	2	Lock Nut, M6-1.0 Nylon Insert
19	2900763	2	Lock Washer, M8 Split
20	2900360	2	Cap Screw, Hex Hd., M8-1.25 x 25mm
21	3200426	1	Tee Fitting, 1/2" Barb
22	3202996	1	1/2" Barb to 1/4" Barb
23	6058162	1	Hose, 1/2" I.D. x 23"
24	6001283	1	Hose, 1/2" I.D. x 22"
25	6058163	1	Hose, 1/2" ID x 20"
26	6058264	1	Hose, 1/2" I.D. x 13"
27	6058265	1	Hose, 1/2" I.D. x 2-1/4"
28	6058266	1	Hose Assembly, 1/4" I.D. x 24"
29	3200016	10	Hose Clamp #8
30	6001095	1	Split Loom, 1" OD x 21" Long
31	6001098	1	Split Loom, 1" OD x 11" Long
32	6001099	1	Split Loom, 1" OD x 18" Long

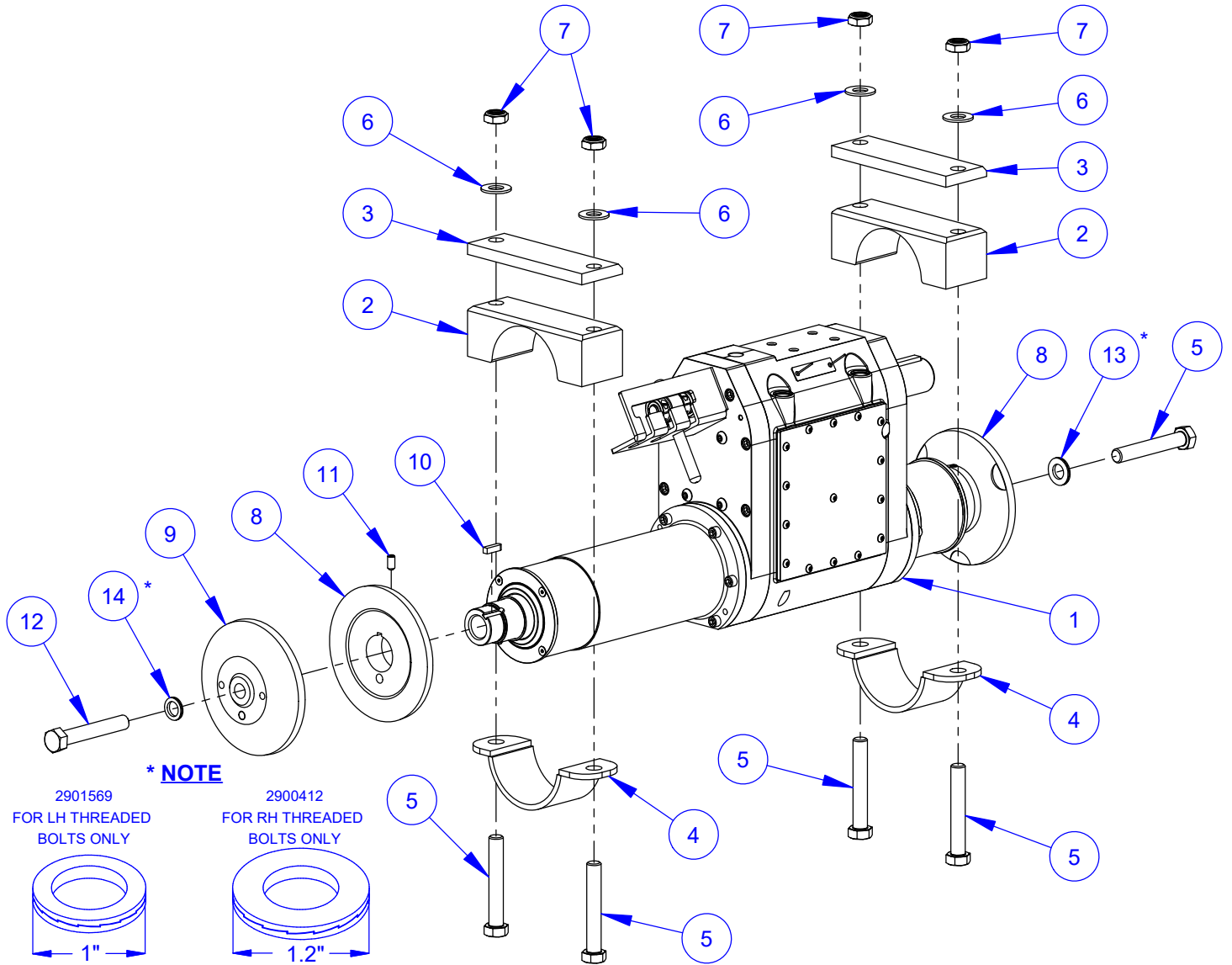
Trans Asm: 3-Spd 30" HD #6058145



Trans Asm: 3-Spd 30" HD #6058145

ITEM	PART NO.	QTY.	DESCRIPTION
1	2401311	AR	Loctite #567 Thread Sealant
2	2401315	AR	Loctite #242 Blue
3	2401316	AR	Loctite #262 Red
4	2502046	AR	Grease, Fuchs Synthetic
5	2503802	AR	Permatex Ultra Black
6	2503930	3 qt	Gear Oil, 75W90 Synthetic
7	2504769	2	Shaft Collar, 1/2" Split
8	2506441	1	Oil Seal, 1/2 x 1.00 x 1/4"
9	2506443	1	Oil Seal, 40 x 60 x 10mm
10	2506445	2	Wave Washer 1/2"
11	2900978	8	Cap Screw, Flat Hd., #10-24 x 1/2"
12	3200001	2	Plug, 1/8" NPT
13	3202334	1	Plug, 1/2" NPTF Magnetic
14	6018382	2	Seal Retainer
15	6018056	2	Heat Exchanger Cover Plate
16	6018063	1	Shift Lever Assembly
17	6018064	1	Shift Bracket
18	6018065	1	Shifter Housing
19	6047959	1	Key, 3/8" Sq. x 2-1/4"
20	2901312	30	Cap Screw, Button Hd., #10-24 x 1/2"
21	2801642	1	Speed Sensor
22	2801754	1	Sensor Wire Assembly
23	2504835	2	Axial Face Seal
24	2506876	2	Oil Seal, 50 X 85 X 8 TC
25	2504836	2	Seal Sleeve
26	2900868	1	Cap Screw, Hex Hd., M8-1.25 x 16mm
27	2900022	1	Flat Washer, 5/16" SAE

3 Speed Blade Shaft Assembly #6058134

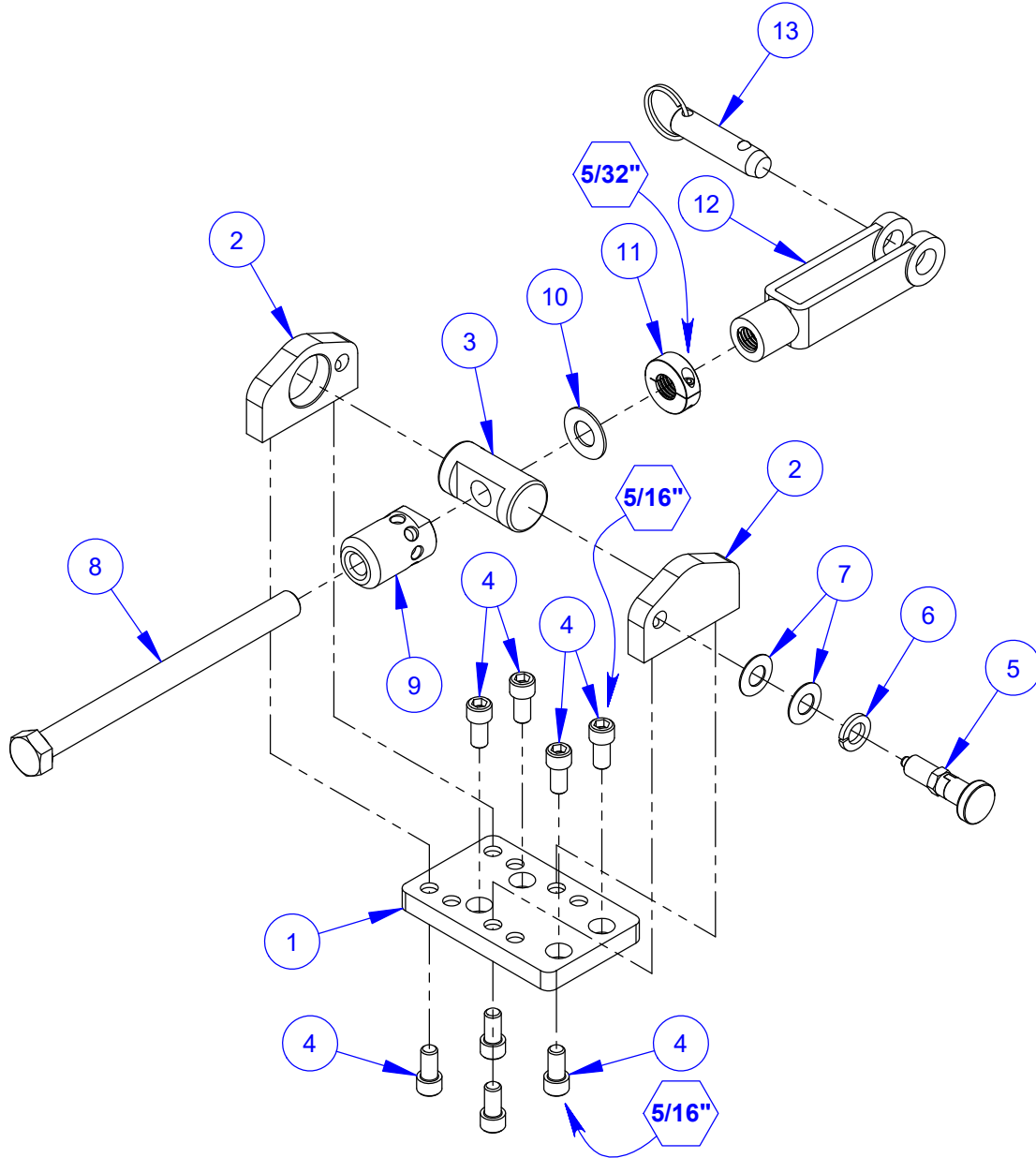


ITEM	PART NO.	QTY.	DESCRIPTION
1	6058145	1	Trans Asm: 3-Spd: 30" HD
2	6010980	2	Clamp Block
3	6001371	2	Clamp Block Spacer
4	6010981	2	Saddle Clamp
5	2900146	5	Cap Screw, Hex Hd., 5/8-11 x 4"
6	2900002	4	Flat Washer, 5/8" SAE
7	2900753	4	Jam Lock Nut, 5/8-11
8	6010038	2	Inner Flange 6"
9	6010039	1	Outer Flange 6" with Pin
10	6010040	2	Key, 1/4" Sq. x 15/16"
11	2900418	2	Set Screw, Soc. Hd., 5/16-18 x 5/8"
12	2900130	1	Cap Screw, Hex Hd., 5/8-11 x 4" LH
13	2900412	1	Wedge Lock Washer Pair, 5/8"
14	2901569	1	Wedge Lock Washer Pair, 5/8" LH

* See Note

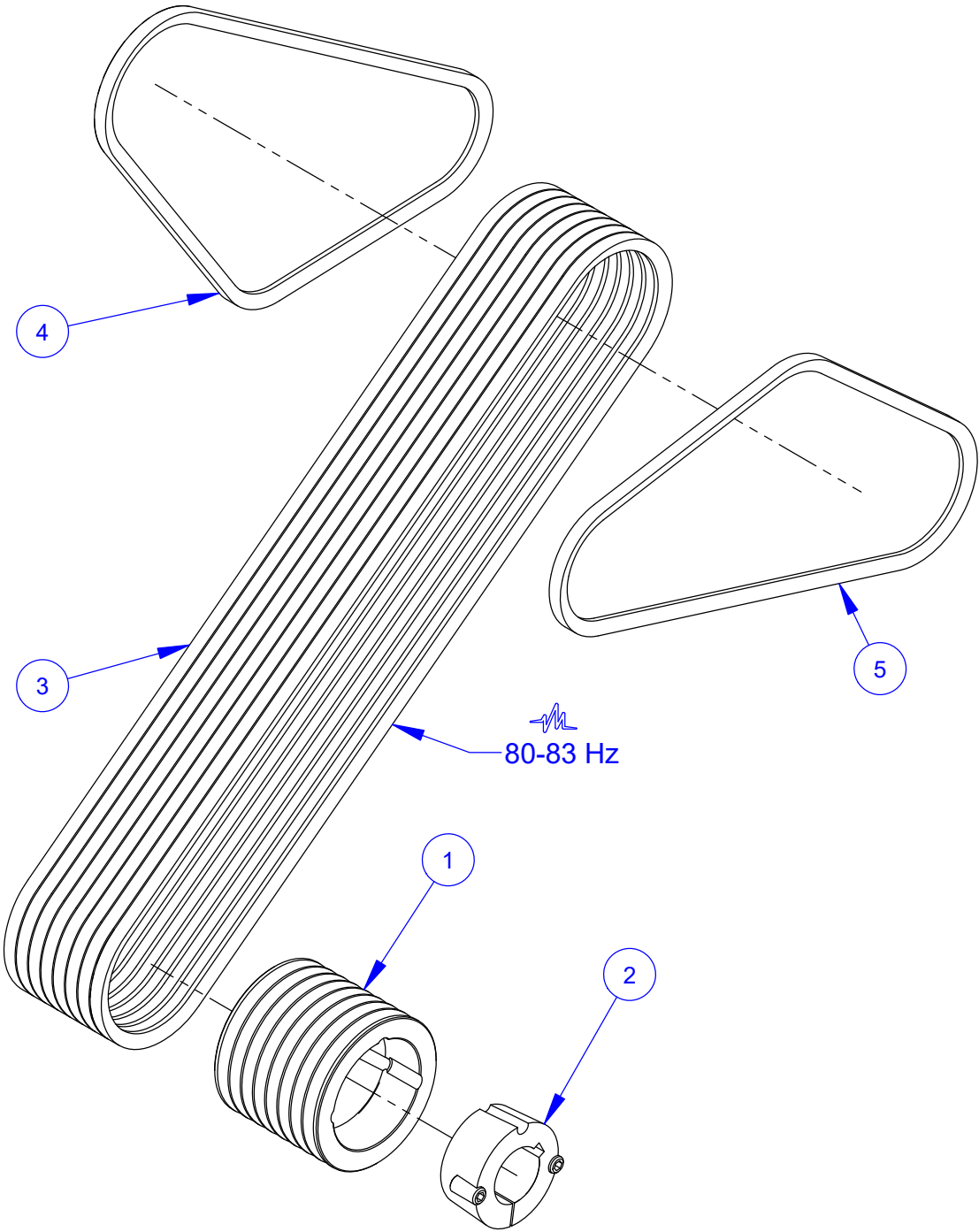
* See Note

Belt Tensioner Assembly #6019129



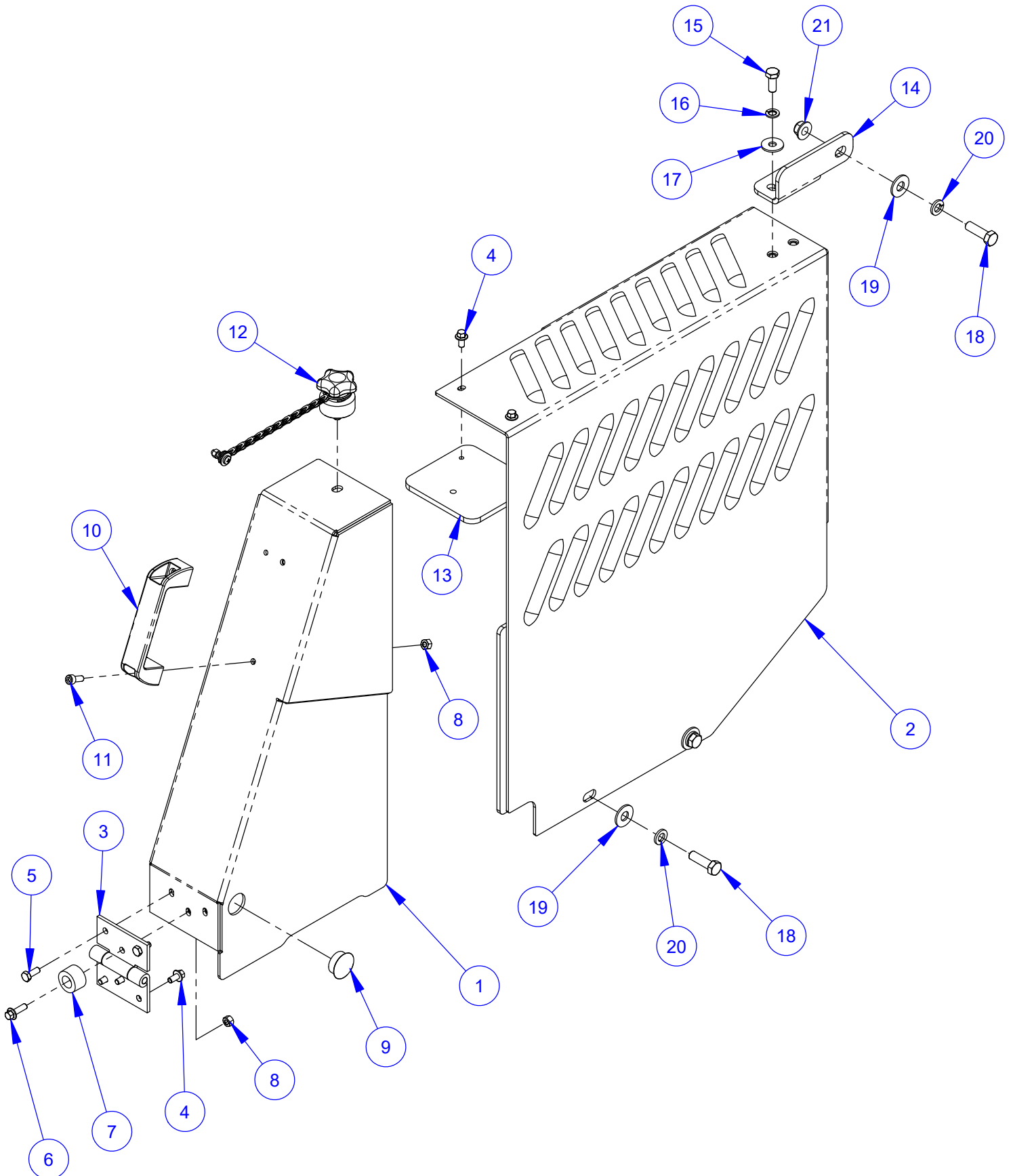
ITEM	PART NO.	QTY.	DESCRIPTION
1	6019040	1	Clevis Base
2	6019041	2	Clevis Flange
3	6010976	1	Clevis Pin
4	2900976	8	Cap Screw, Soc. Hd., 3/8-16 x 3/4"
5	2400138	1	Indexing Plunger 1/2-13
6	2900084	1	Lock Washer, 1/2" Split
7	2900665	2	Belleville Washer, 1/2"
8	2901392	1	Tap Bolt, Hex Hd., 5/8-11 x 8"
9	6019042	1	Detent Nut
10	2901561	1	Thrust Washer, 5/8"
11	2503968	1	Collar, 5/8-11 Split
12	2503967	1	Yoke, 5/8-11
13	2901371	1	Lock Pin with Ring

Belt Drive Assembly #6058153



ITEM	PART NO.	QTY.	DESCRIPTION
1	2501382	1	Sheave, 4" x 8 Groove Taper Style
2	2503811	1	Taper Bushing, 1-1/2" w/Setscrews
3	2505161	8	V-Belt, 3VX487
4	2505305	1	V-Belt, 3VX350
5	2500035	1	V-Belt, 3VX335

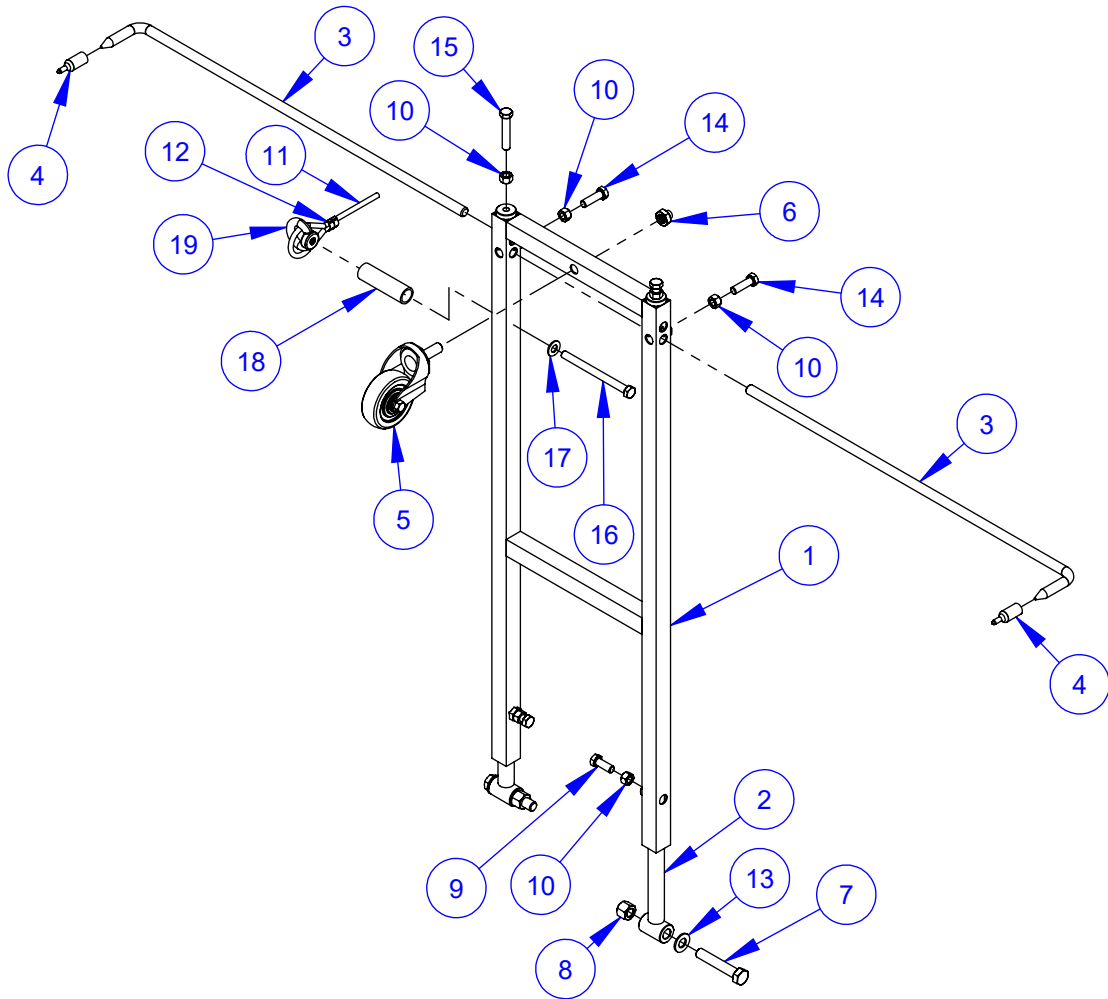
Belt Guard Assembly #6058141



Belt Guard Assembly #6058141

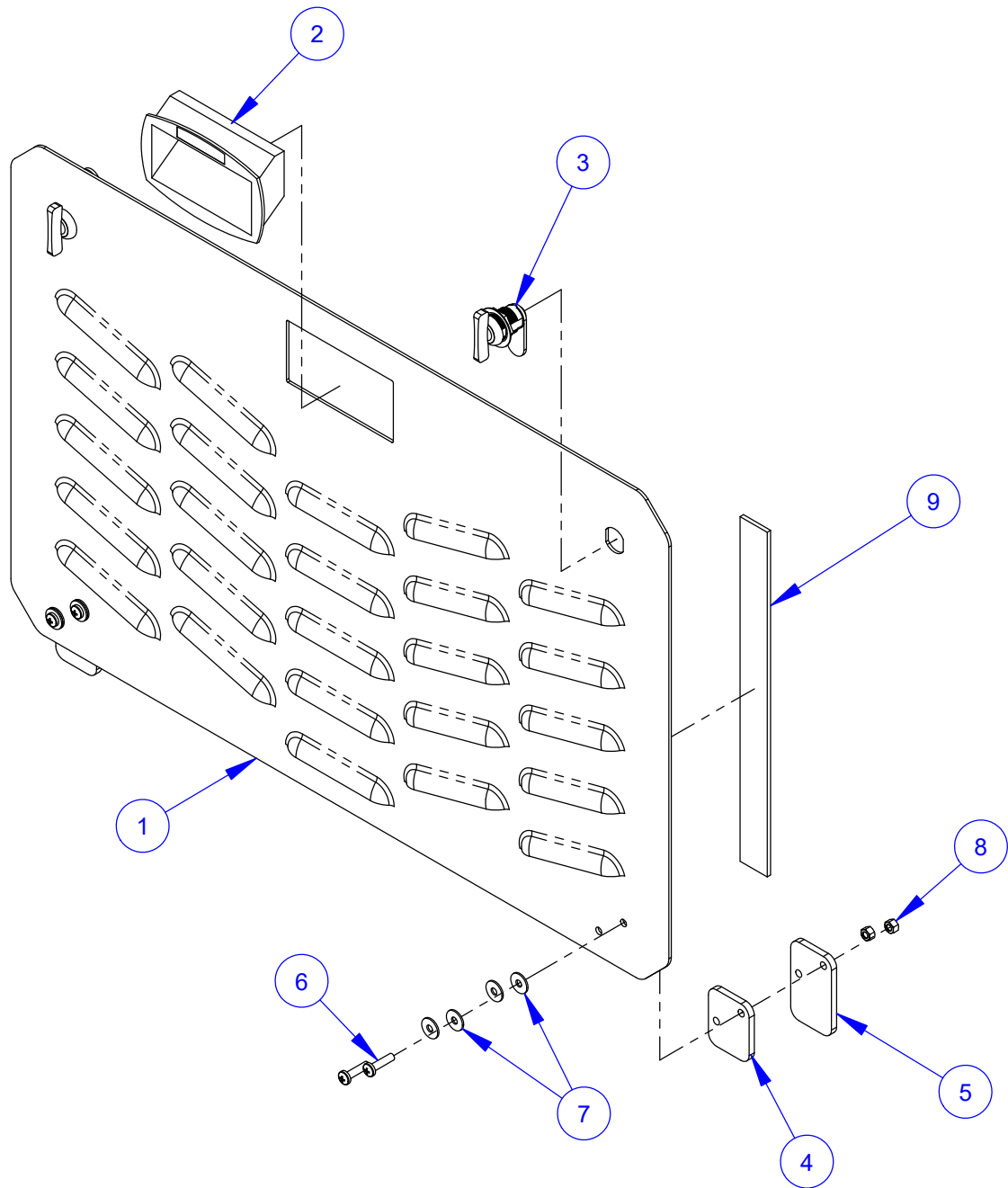
ITEM	PART NO.	QTY.	DESCRIPTION
1	6058157	1	Belt Guard (Front)
2	6058156	1	Belt Guard (Rear)
3	2500270	1	Blade Guard Hinge
4	2901370	5	Cap Screw, Hex Flange, M6-1.0 x 12mm
5	2900341	2	Cap Screw, Hex Hd., M6-1.0 x 16mm
6	2900328	1	Cap Screw, Hex Flange, M6-1.0 x 20mm
7	2503699	1	Bumper, 1" Dia. x 5/8" Thick
8	2900302	5	Lock Nut, M6-1.0 Nylon Insert
9	2500489	1	Plug, 1" Hole
10	2400145	1	Handle
11	2900553	2	Cap Screw, Soc. Hd., M6-1.0 x 16mm
12	6001048	1	Knob Assembly
13	6001365	1	Latch Plate
14	6058159	1	Belt Guard Mount
15	2900329	2	Cap Screw, Hex Hd., M8-1.25 x 20mm
16	2900763	2	Lock Washer, M8 Split
17	2900383	2	Fender Washer, M8
18	2900013	3	Cap Screw, Hex Hd., 3/8-16 x 1-1/4"
19	2900473	3	Flat Washer, 3/8" USS
20	2900006	3	Lock Washer, 3/8" Split
21	2902184	1	Lock Nut, 3/8-16 Nylon

Front Pointer Assembly #6045479



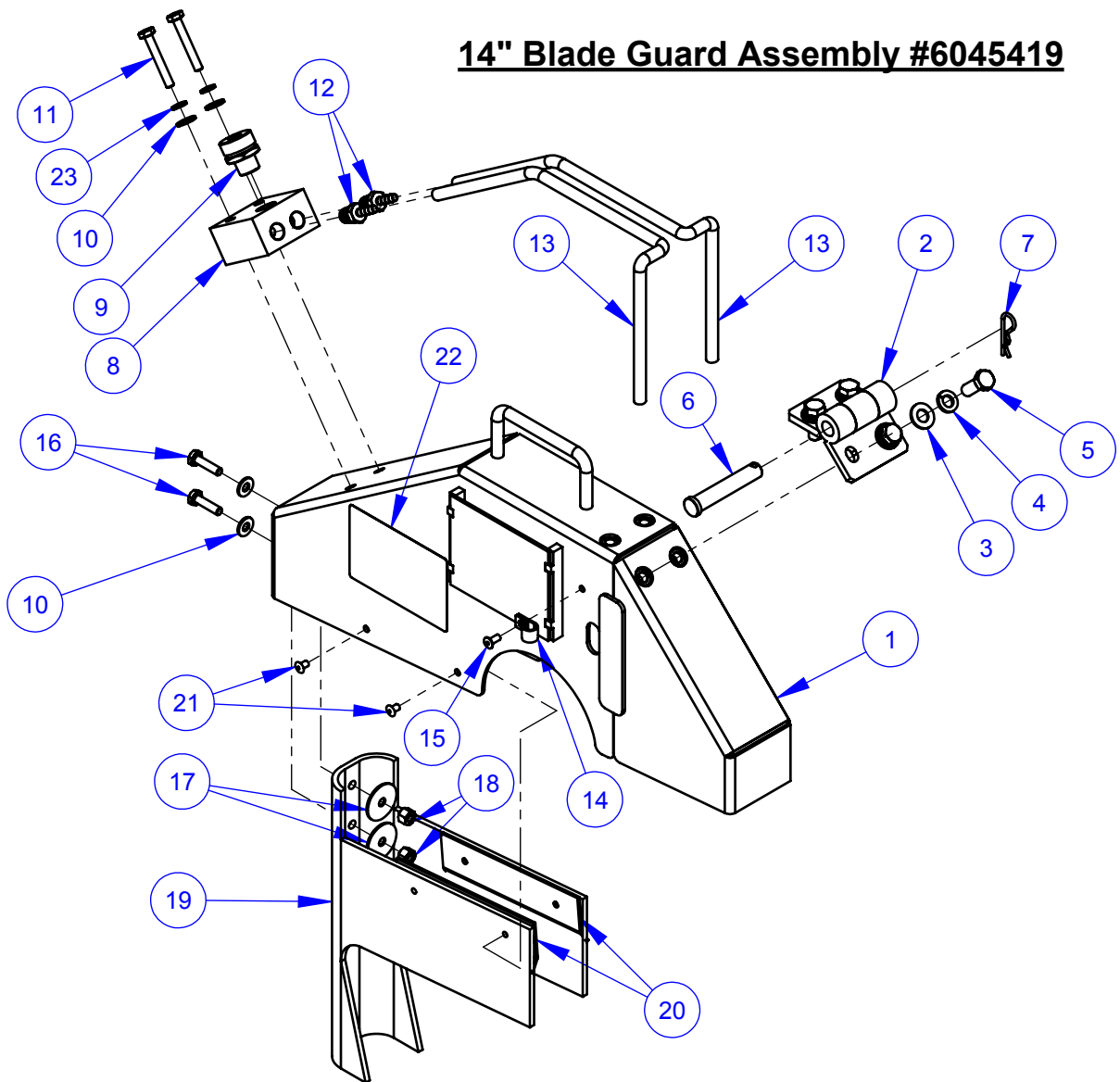
ITEM	PART NO.	QTY.	DESCRIPTION
1	6011201	1	Front Pointer Frame
2	6011152	2	Front Pointer Arm
3	6010009	2	Front Pointer Rod
4	2500740	2	Pointer Cap
5	2501379	1	Caster, 3"
6	2900543	1	Jam Lock Nut, 1/2-13
7	2900105	2	Cap Screw, Hex Hd., 1/2-13 x 2-3/4"
8	2900026	2	Lock Nut, 1/2-13 Nylon
9	2900005	2	Cap Screw, Hex Hd., 3/8-16 x 1"
10	2900033	6	Hex Nut, 3/8-16
11	6017241	1	Pointer Rope 11 Foot
12	3200221	2	Pinch Clamp, Two Ear
13	2900239	2	Friction Washer, 1/2"
14	2900013	2	Cap Screw, Hex Hd., 3/8-16 x 1-1/4"
15	2900366	2	Tap Screw, Hex Hd., 3/8-16 x 2"
16	2900375	1	Cap Screw, Hex Hd., 3/8-16 x 4-1/2"
17	2900014	1	Flat Washer, 3/8" SAE
18	6010989	1	Spacer, 3" Long
19	2900885	1	Eye Nut, 3/8-16

Rear Cover Screen Assembly #6058206



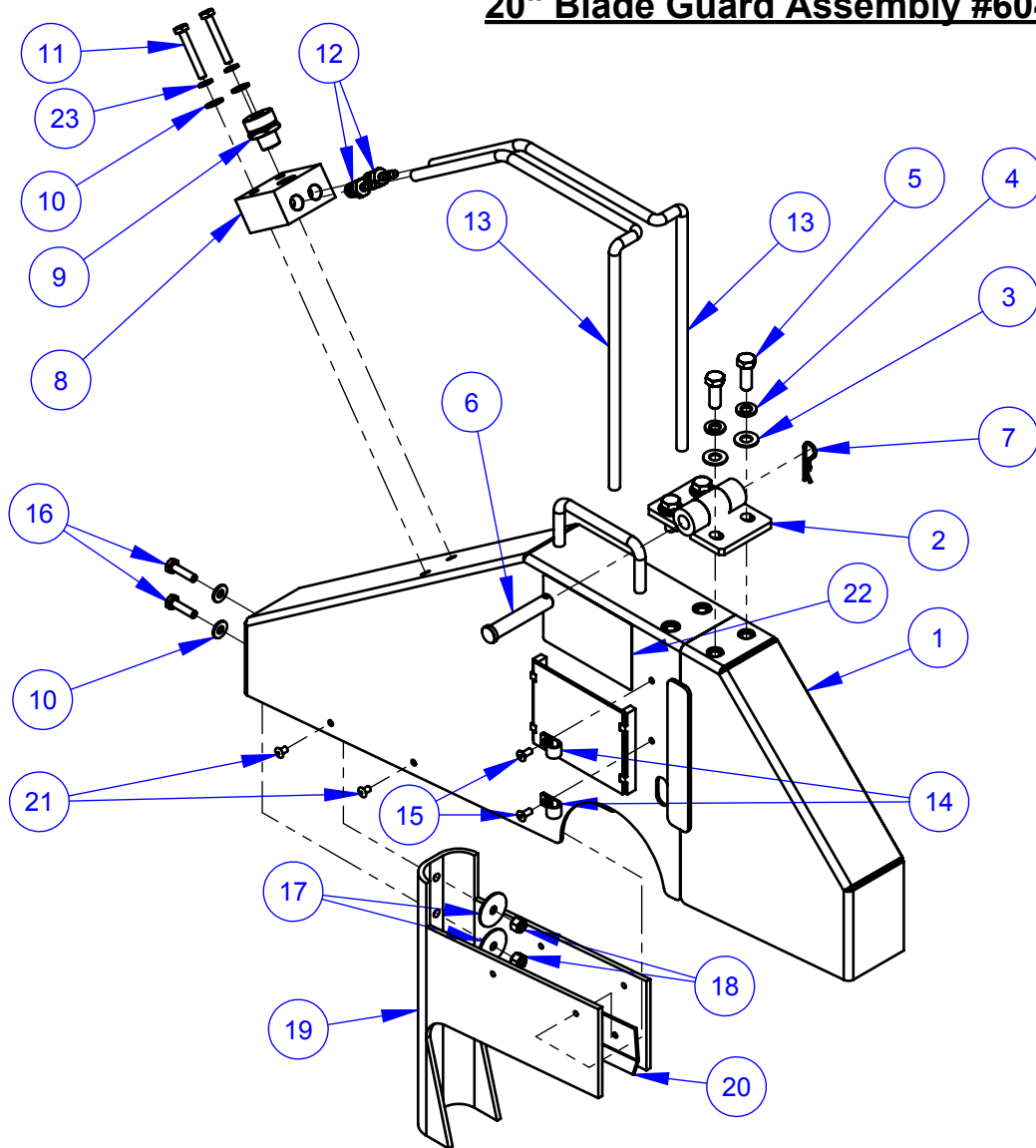
ITEM	PART NO.	QTY.	DESCRIPTION
1	6058227	1	Rear Cover Screen
2	2506086	1	Pull Handle
3	2506080	2	Latch, Door
4	6001333	2	Tab Spacer
5	6058180	2	Tab, Rear Cover Screen
6	2901377	4	Machine Screw, Pan Hd., M5-0.8 x 20mm
7	2900770	8	Fender Washer, M5
8	2900301	4	Lock Nut, M5-0.8 Nylon Insert
9	6016195	2	Rubber Strip 11"

14" Blade Guard Assembly #6045419



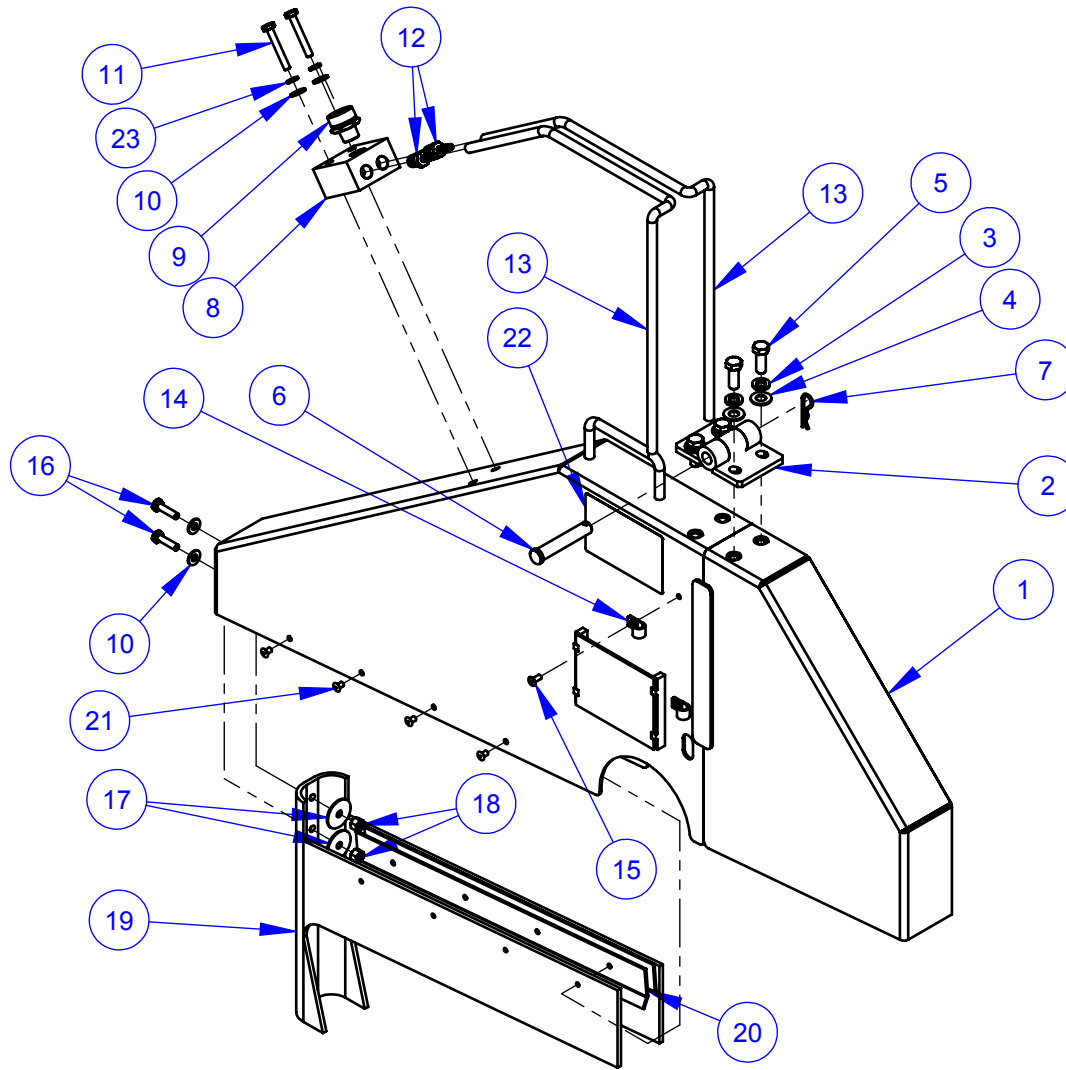
ITEM	PART NO.	QTY.	DESCRIPTION
1	6045424	1	14" Blade Guard Only
2	6041135	1	Hinge
3	2900014	4	Flat Washer, 3/8" SAE
4	2900006	4	Lock Washer, 3/8" Split
5	2900005	4	Cap Screw, Hex Hd., 3/8-16 x 1"
6	2900607	1	Clevis Pin, 1/2" x 2-3/4"
7	2900262	1	Hairpin Cotter
8	6045162	1	Water Manifold
9	3200002	1	Fitting, 3/8" M. Pipe to 3/4" M. Garden
10	2900009	4	Flat Washer, 1/4" SAE
11	2900392	2	Cap Screw, Hex Hd., 1/4-20 x 1-3/4"
12	3200019	2	Fitting, 1/4" M. Pipe to 1/4" Hose Barb
13	6045110	2	Hose, 1/4" x 3/8" x 15"
14	3200039	2	Clamp, 3/8"
15	2900201	2	Rivet, 3/16" Dia.
16	2900008	2	Cap Screw, Hex Hd., 1/4-20 x 1"
17	2900083	2	Fender Washer, 1/4" x 1-1/4"
18	2900010	2	Lock Nut, 1/4-20 Nylon
19	6045178	1	Splash Flap
20	6045179	2	Splash Flap Retaining Strip
21	2900071	4	Rivet, 3/16"
22	1802090	2	Label, Wedge Locking Washer
23	2900024	2	Lock Washer, 1/4" Split

20" Blade Guard Assembly #6045420



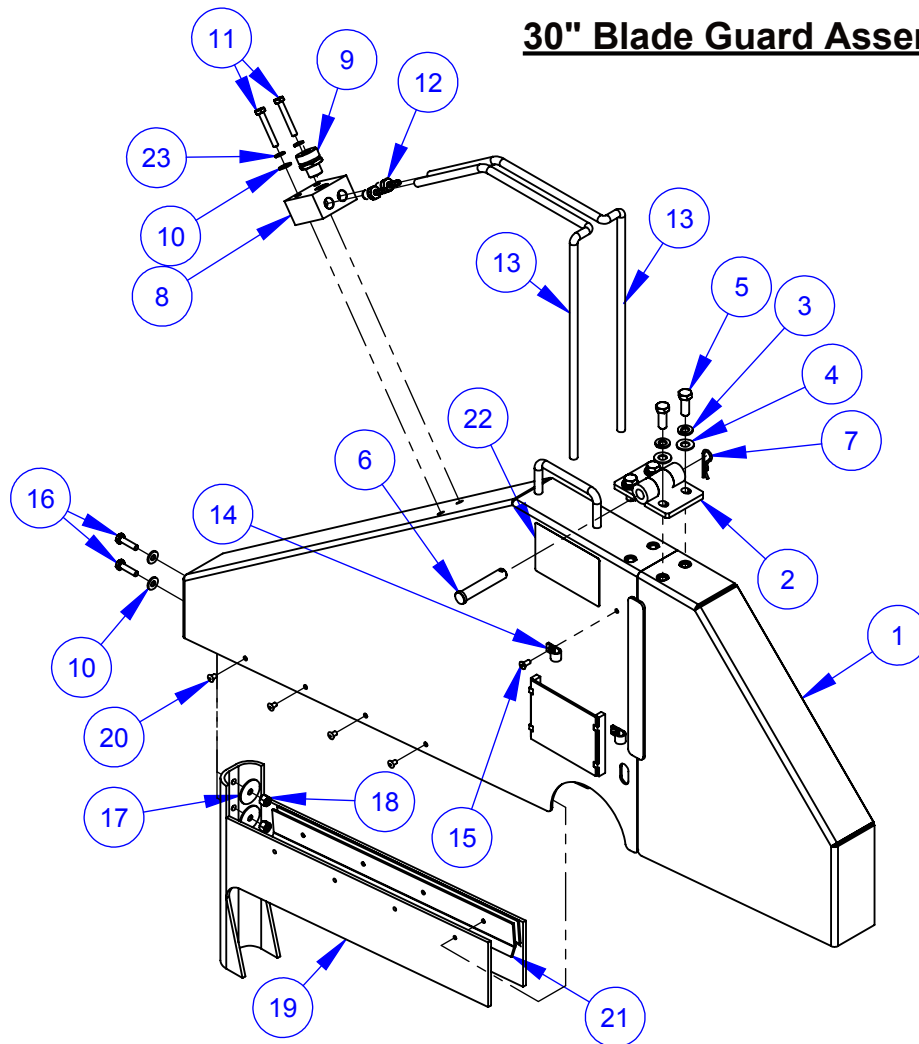
ITEM	PART NO.	QTY.	DESCRIPTION
1	6045425	1	20" Blade Guard Only
2	6041135	1	Hinge
3	2900014	4	Flat Washer, 3/8" SAE
4	2900006	4	Lock Washer, 3/8" Split
5	2900005	4	Cap Screw, Hex Hd., 3/8-16 x 1"
6	2900607	1	Clevis Pin, 1/2" x 2-3/4"
7	2900262	1	Hairpin Cotter
8	6045162	1	Water Manifold
9	3200002	1	Fitting, 3/8" M. Pipe to 3/4" M. Garden
10	2900009	4	Flat Washer, 1/4" SAE
11	2900392	2	Cap Screw, Hex Hd., 1/4-20 x 1-3/4"
12	3200019	2	Fitting, 1/4" M. Pipe to 1/4" Hose Barb
13	6045109	2	Hose, 1/4" x 3/8" x 19"
14	3200039	4	Clamp, 3/8"
15	2900201	4	Rivet, 3/16" Dia.
16	2900008	2	Cap Screw, Hex Hd., 1/4-20 x 1"
17	2900083	2	Fender Washer, 1/4" x 1-1/4"
18	2900010	2	Lock Nut, 1/4-20 Nylon
19	6045178	1	Splash Flap
20	6045179	2	Splash Flap Retaining Strip
21	2900071	4	Rivet, 3/16"
22	1802090	2	Label, Wedge Locking Washer
23	2900024	2	Lock Washer, 1/4" Split

26" Blade Guard Assembly #6045421



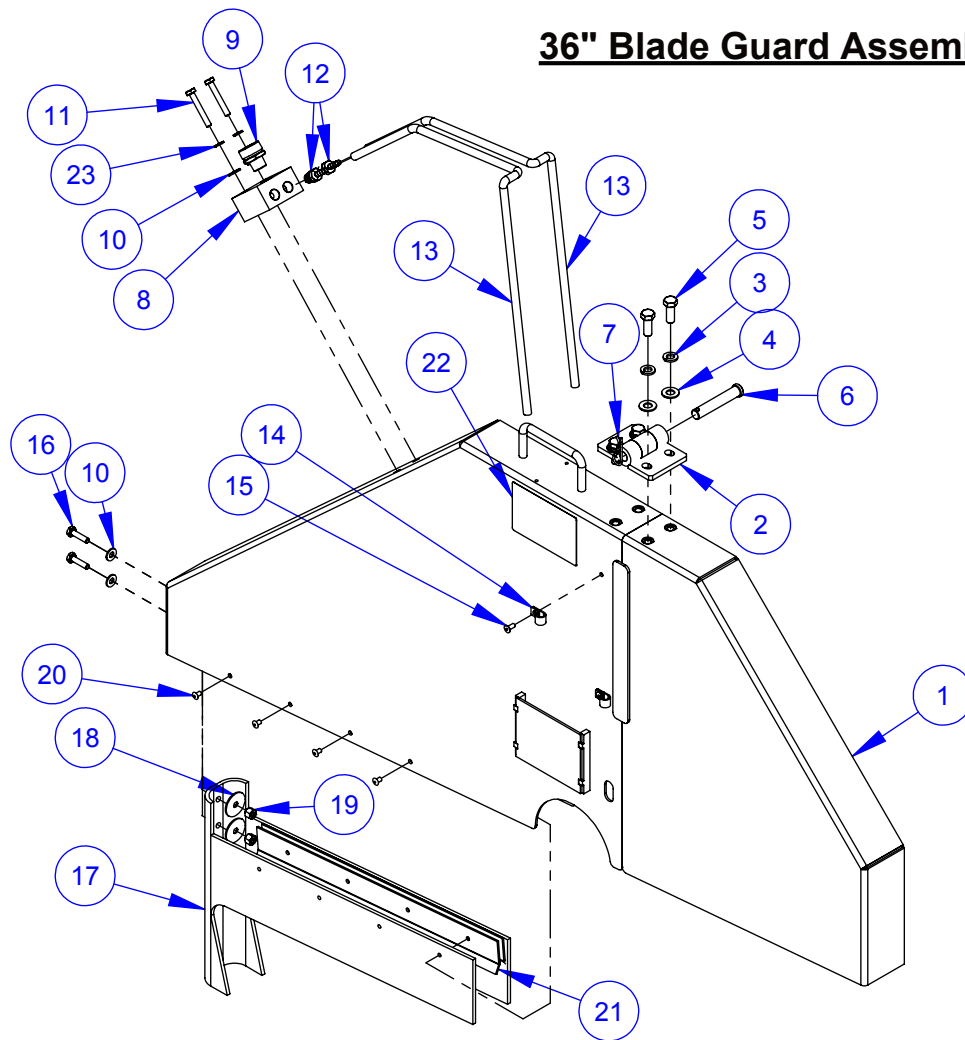
ITEM	PART NO.	QTY.	DESCRIPTION
1	6045426	1	26" Blade Guard Only
2	6041135	1	Hinge
3	2900006	4	Lock Washer, 3/8" Split
4	2900014	4	Flat Washer, 3/8" SAE
5	2900005	4	Cap Screw, Hex Hd., 3/8-16 x 1"
6	2900607	1	Clevis Pin, 1/2" x 2-3/4"
7	2900262	1	Hairpin Cotter
8	6045162	1	Water Manifold
9	3200002	1	Fitting, 3/8" M. Pipe to 3/4" M. Garden
10	2900009	4	Flat Washer, 1/4" SAE
11	2900392	2	Cap Screw, Hex Hd., 1/4-20 x 1-3/4"
12	3200019	2	Fitting, 1/4" M. Pipe to 1/4" Hose Barb
13	6045106	2	Hose, 1/4" x 3/8" x 25"
14	3200039	4	Clamp, 3/8"
15	2900201	4	Rivet, 3/16" Dia.
16	2900008	2	Cap Screw, Hex Hd., 1/4-20 x 1"
17	2900083	2	Fender Washer, 1/4" x 1-1/4"
18	2900010	2	Lock Nut, 1/4-20 Nylon
19	6045174	1	Splash Flap
20	6045172	2	Splash Flap Retaining Strip (Long)
21	2900071	8	Rivet, 3/16"
22	1802090	2	Label, Wedge Locking Washer
23	2900024	2	Lock Washer, 1/4" Split

30" Blade Guard Assembly, #6056670



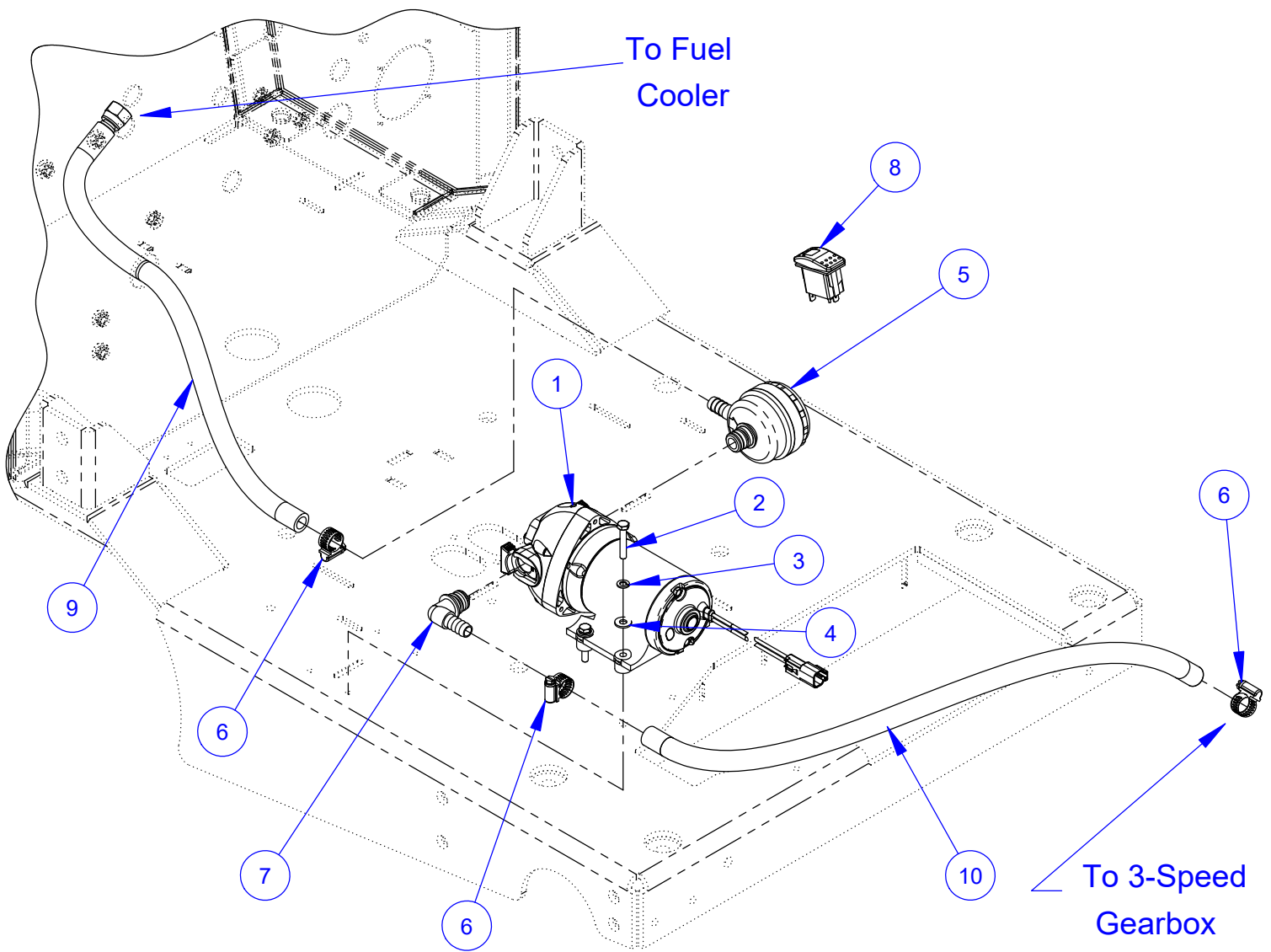
ITEM	PART NO.	QTY.	DESCRIPTION
1	6045427	1	30" Blade Guard Only
2	6041135	1	Hinge
3	2900006	4	Lock Washer, 3/8" Split
4	2900014	4	Flat Washer, 3/8" SAE
5	2900005	4	Cap Screw, Hex Hd., 3/8-16 x 1"
6	2900607	1	Clevis Pin, 1/2" x 2-3/4"
7	2900262	1	Hairpin Cotter
8	6045162	1	Water Manifold
9	3200002	1	Fitting, 3/8" M. Pipe to 3/4" M. Garden
10	2900009	4	Flat Washer, 1/4" SAE
11	2900392	2	Cap Screw, Hex Hd., 1/4-20 x 1-3/4"
12	3200019	2	Fitting, 1/4" M. Pipe to 1/4" Hose Barb
13	6045107	2	Hose, 1/4" x 3/8" x 25"
14	3200039	4	Clamp, 3/8"
15	2900201	4	Rivet, 3/16" Dia.
16	2900008	2	Cap Screw, Hex Hd., 1/4-20 x 1"
17	2900083	2	Fender Washer, 1/4" x 1-1/4"
18	2900010	2	Lock Nut, 1/4-20 Nylon
19	6045174	1	Splash Flap
20	2900071	8	Rivet, 3/16"
21	6045172	2	Splash Flap Retaining Strip (Long)
22	1802090	2	Label, Wedge Locking Washer
23	2900024	2	Lock Washer, 1/4" Split

36" Blade Guard Assembly. #6056671



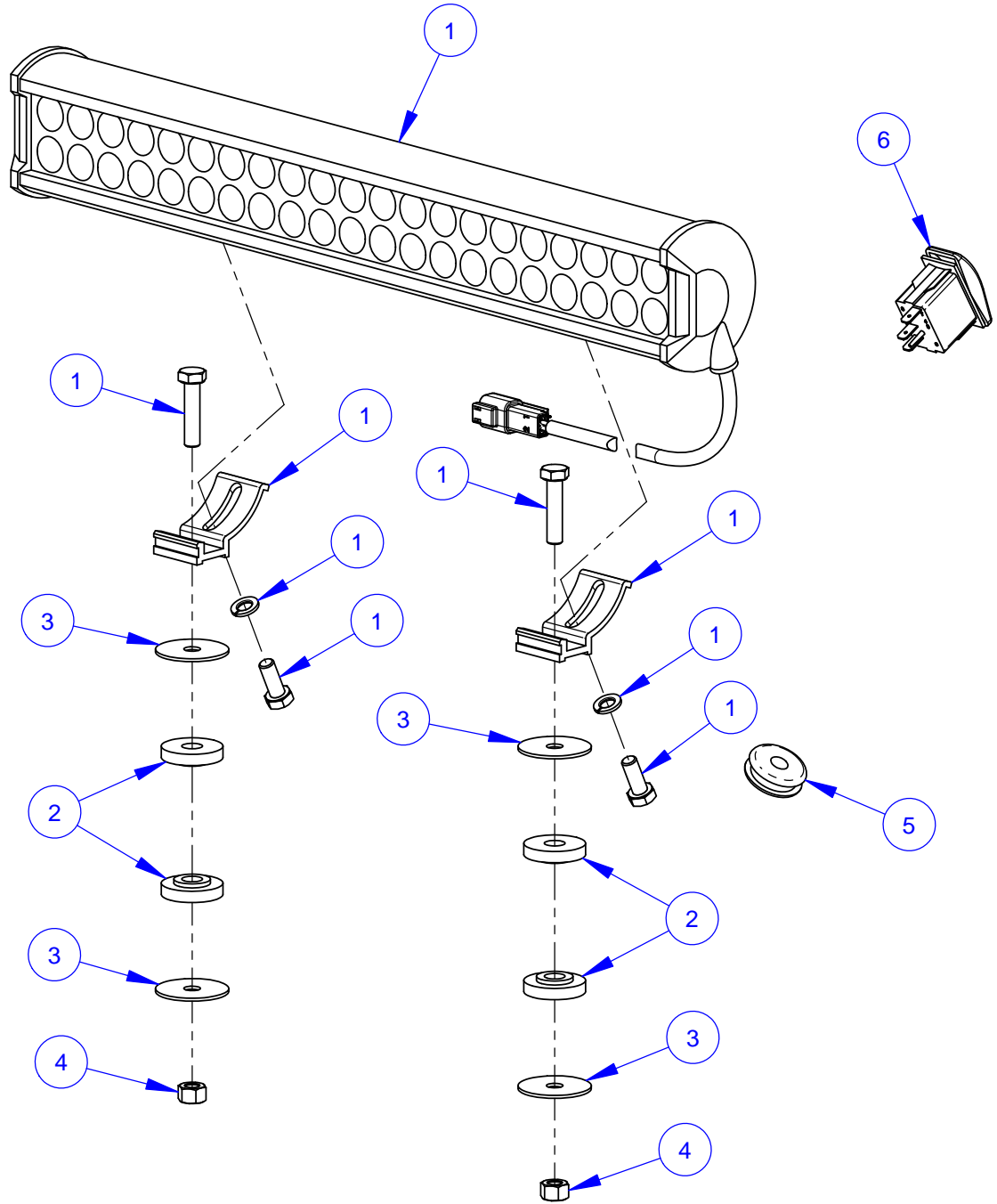
ITEM	PART NO.	QTY.	DESCRIPTION
1	6045428	1	36" Blade Guard Only
2	6041135	1	Hinge
3	2900006	4	Lock Washer, 3/8" Split
4	2900014	4	Flat Washer, 3/8" SAE
5	2900005	4	Cap Screw, Hex Hd., 3/8-16 x 1"
6	2900607	1	Clevis Pin, 1/2" x 2-3/4"
7	2900262	1	Hairpin Cotter
8	6045162	1	Water Manifold
9	3200002	1	Fitting, 3/8" M. Pipe to 3/4" M. Garden
10	2900009	4	Flat Washer, 1/4" SAE
11	2900392	2	Cap Screw, Hex Hd., 1/4-20 x 1-3/4"
12	3200019	2	Fitting, 1/4" M. Pipe to 1/4" Hose Barb
13	6045319	2	Hose, 1/4" x 3/8" x 29"
14	3200039	4	Clamp, 3/8"
15	2900201	4	Rivet, 3/16" Dia.
16	2900008	2	Cap Screw, Hex Hd., 1/4-20 x 1"
17	6045174	1	Splash Flap
18	2900083	2	Fender Washer, 1/4" x 1-1/4"
19	2900010	2	Lock Nut, 1/4-20 Nylon
20	2900071	8	Rivet, 3/16"
21	6045172	2	Splash Flap Retaining Strip (Long)
22	1802090	2	Label, Wedge Locking Washer
23	2900024	2	Lock Washer, 1/4" Split

Water Pump Assembly #6001092



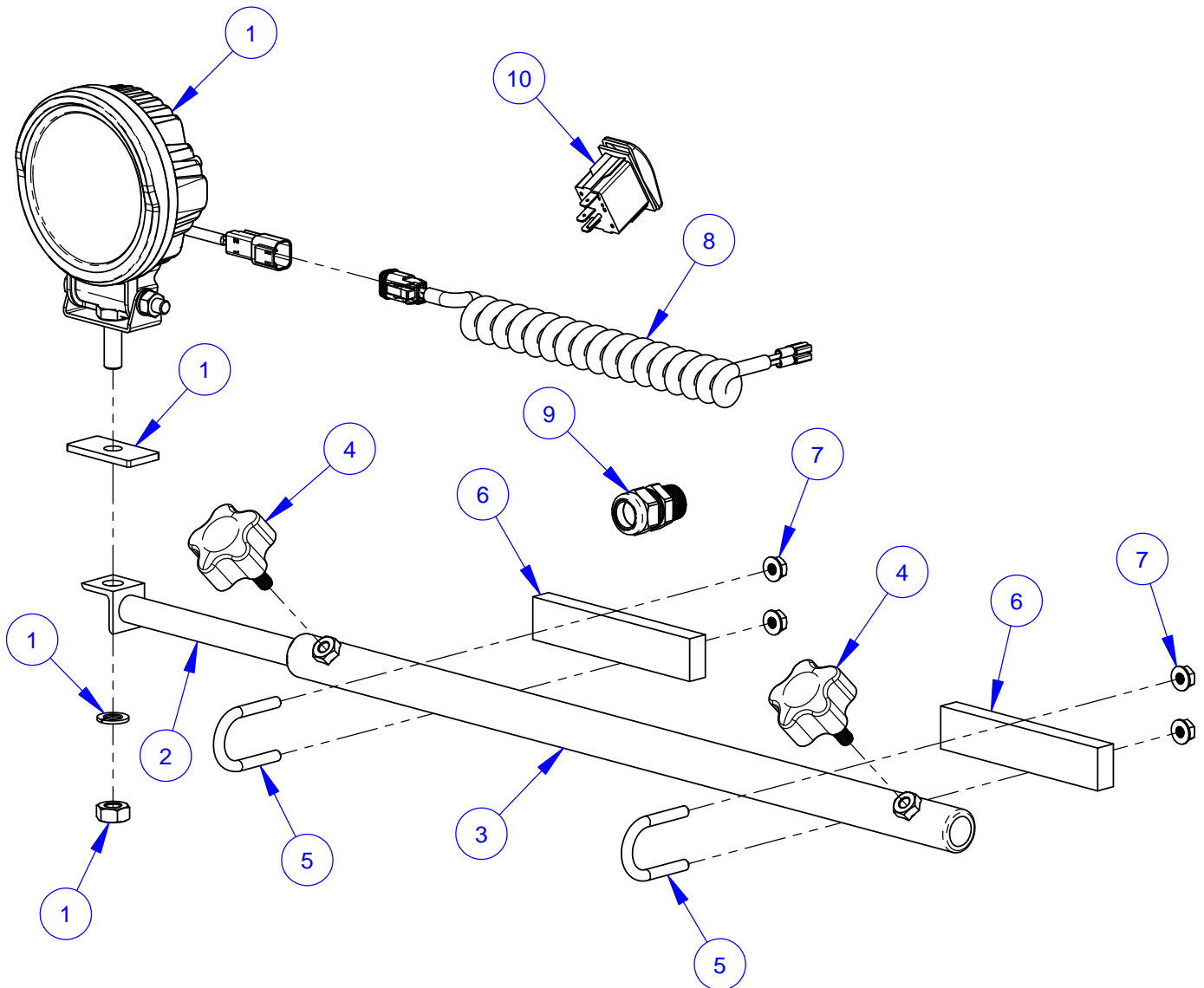
ITEM	PART NO.	QTY.	DESCRIPTION
1	6016226	1	Water Pump, Diaphragm
2	2900312	4	Cap Screw, Hex Hd., M6-1.0 x 35mm
3	2900765	4	Lock Washer, M6 Split
4	2900009	4	Flat Washer, 1/4" SAE
5	2703198	1	Inlet Strainer
6	3200016	3	Hose Clamp #8
7	2701694	1	Port Fitting, 1/2" Barb x 90 Degree
8	2800808	1	Rocker Switch
9	6058332	1	Hose Assembly, 1/2" ID x 26"
10	6058333	1	Hose, 1/2" ID x 26"

LED Light Bar Assembly #6001060



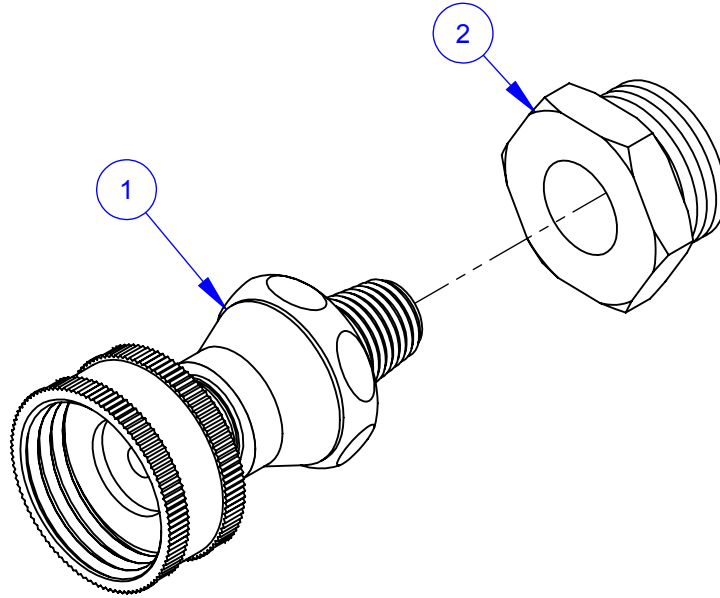
ITEM	PART NO.	QTY.	DESCRIPTION
1	6016229	1	LED Light Bar
	2506112B	2	Light Bar Bracket
	2900763	2	Lock Washer, M8 Split
	2900329	2	Cap Screw, Hex Hd., M8-1.25 x 20mm
	2900760	2	Cap Screw, Hex Hd., M8-1.25 x 35mm
2	2506117	4	Vibration Damping Bushing
3	2900969	4	Fender Washer, 5/16" x 1-1/2"
4	2900303	2	Lock Nut, M8-1.25 Nylon Insert
5	2506118	1	Grommet, 3/8" I.D.
6	2800808	1	Rocker Switch

LED Spot Light Assembly #6001050



ITEM	PART NO.	QTY.	DESCRIPTION
1	6016224	1	Light, 12 Volt LED Spot
2	6010106	1	Light Bar
3	6001232	1	Light Mount Tube
4	2400157	2	Hand Lock Knob, 5/16-18 x 1"
5	2900241	2	U-Bolt, 1/2" Pipe
6	6016177	2	Light Tube Cushion
7	2902145	4	Hex Flange Nut, 1/4-20
8	6016225	1	Coiled Light Cord (1 Foot)
9	2800623	1	Cord Grip, 1/2" NPT Nylon
10	2800808	1	Rocker Switch

Optional ASO Flow Control Valve, #6056037



ITEM	PART NO.	QTY.	DESCRIPTION
1	3202944	1	ASO, Flow Control Valve
2	3200023	1	Fitting, 3/4" M. Garden to 1/4" F. Pipe

Decal Group

CORE CUT



CC4948

#1802943 (2X)

#1802620 (1X)

#1802760 (2X)

1802945

NOTICE
EXPLOSION RISK
EXPLODE WATER AFTER EVERY USE
FROZEN LINES WILL CAUSE DAMAGE

1803525

WARNING
NEVER OPEN
CAP WHEN HOT!

1802422

WARNING
KEEP HANDS CLEAR!

1802123

FLUID LEVEL
FULL COLD

1801620

EMERGENCY

STOP

1802502

STOP

**ULTRA LOW SULFUR
DIESEL FUEL ONLY**

1802121

AUXILIARY CONTROLS

SPOT LIGHT LIGHT BAR WATER PUMP

1802691

ON

WARNING: Do Not Engage On Steep Slope

OFF

1802693

FREE WHEEL

DISENGAGED

ENGAGED

DIESEL LOCK

1802944

CC4948

48HP Walk Behind Saw

BLADE SIZE	BLADE RPM	GEAR POSITION	ENGINE RPM	MAX CUT DEPTH
14"	2,800	H (HIGH)	2,800	4"
20"	2,600	H (HIGH)	2,600	7"
26"	1,825	M (MEDIUM)	2,800	10"
30"	1,700	M (MEDIUM)	2,600	12"
36"	1,200	L (LOW)	2,800	15"

MADE IN THE U.S.A. WITH THE BEST MATERIALS AVAILABLE
EXAMINE FOR CRACKS AND DEFECTS. DO NOT USE IF CRACKS OR DEFECTS ARE FOUND.
CAUSE BY IMPROPER USE OR MISUSE. IN RESPECT TO THE USER'S SAFETY.

LEVER CONTROLS

WATER CUT WATER CUT

STOP

REVERSE

FORWARD

BLADE LOWERING SPEED

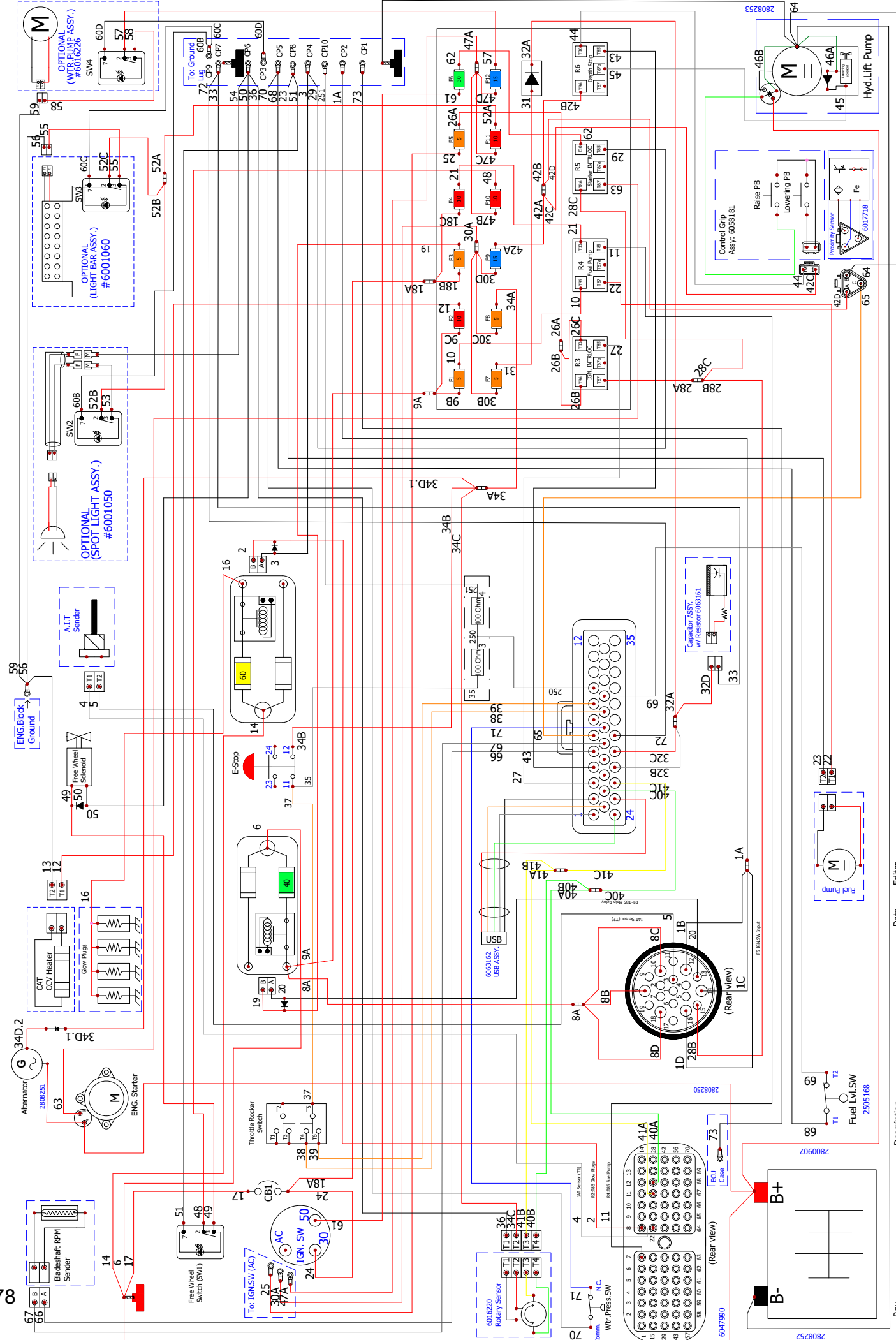
FAST

DIAMOND PRODUCTS

CORE CUT

Diamond Products Limited
800-525-5358 diamondproducts.com
Made in the USA

#1802945



Rev	Description	Date	Editor
01	Switched Power wire from T2 to T1, and Ground wire from T1, to T2 on Fuel Pump	6/23/2023	MS
02	Replaced CB2/B and relays with comp. CB and relay (removed wire # 7/15); Adjusted terminals/wire lengths, details in Wiring Detail folder Replaced Neutral switch with Proximity Sensor, added wire #42D, voltage divider for E-stop signal going to the screen plug. See Wire Detail sheet for more information.	11/07/2023	MS

EQUIPMENT AND PARTS WARRANTY

Diamond Products warrants all equipment manufactured by it against defects in workmanship or materials for a period of one (1) year from the date of shipment to Customer.

The responsibility of Diamond Products under this Warranty is limited to replacement or repair of defective parts at Diamond Products' Elyria, Ohio factory, or at a point designated by it, of such parts as shall appear to us upon inspection at such parts, to have been defective in material or workmanship, with expense for transportation and labor borne by Customer.

In no event shall Diamond Products be liable for consequential or incidental damages arising out of the failure of any Product to operate properly.

Integral units such as engines, electric motors, batteries, transmissions, etc., are excluded from this Warranty and are subject to the prime manufacturer's warranty.

THIS WARRANTY IS IN LIEU OF ALL OTHER WARRANTIES, EXPRESSED OR IMPLIED, AND ALL SUCH OTHER WARRANTIES ARE HEREBY DISCLAIMED.



333 Prospect Street, Elyria, Ohio 44035
(440) 323-4616 • (800) 321-5336 • Fax (800) 634-4035
www.diamondproducts.com