



**CORE CUT
PARTS LIST MANUAL**

**CC190FC
FIRST CUT SAW**

AUGUST 2025

Part #: 1803635-00

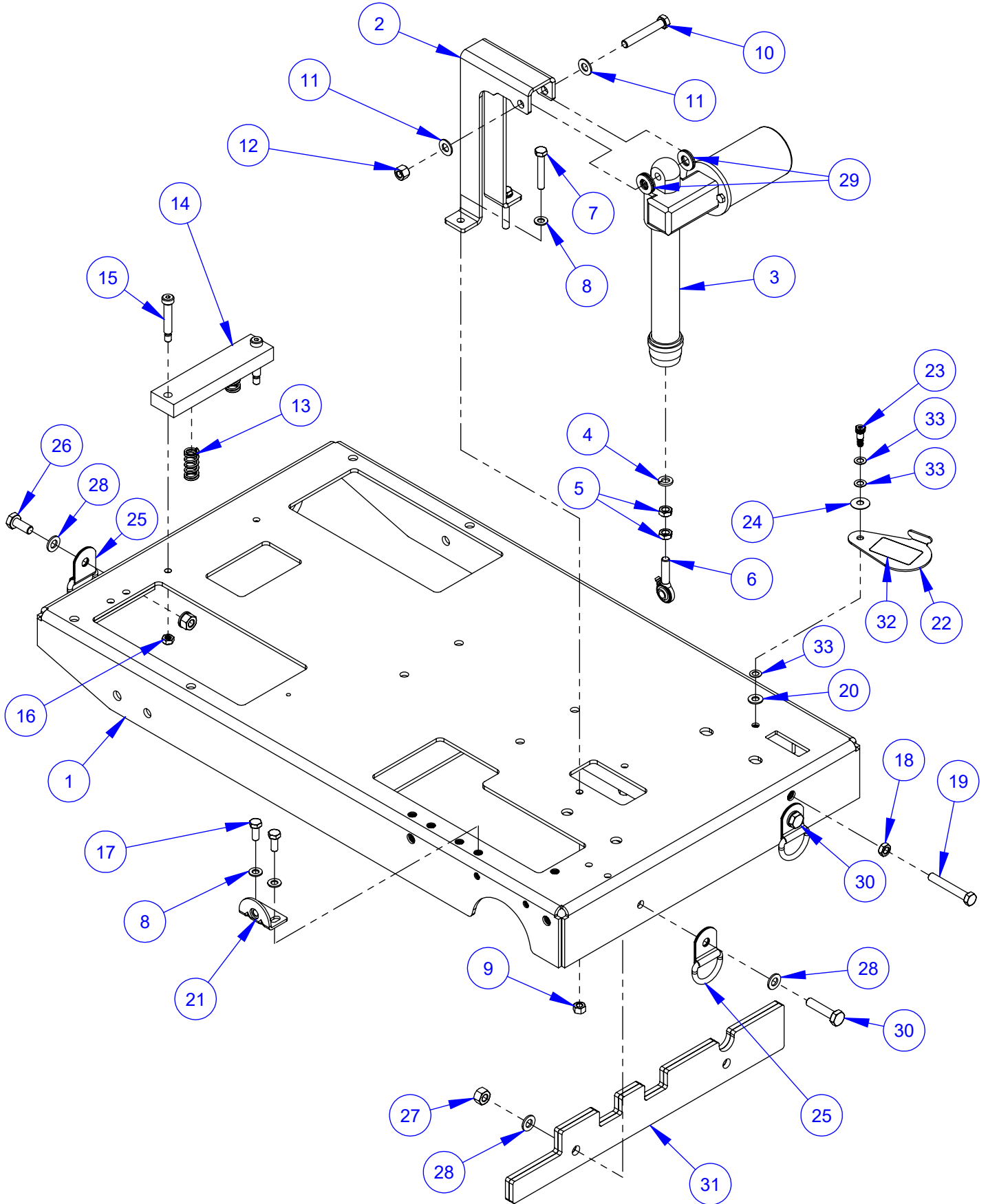
Table of Contents

Description	Page No.
Lower Frame Assembly.....	4 - 5
Blade Shaft Assembly	6
Axle Assembly	7
Engine Assembly.....	8 - 9
Transmission Assembly.....	10 - 11
Frame Upright Assembly.....	12 - 13
Battery Assembly.....	14
Fuel Tank Assembly.....	15
Pointer Assembly.....	16 - 17
Control Panel Assembly.....	18
Rocker Switch/ Handlebar Assembly.....	20-21
Blade Box Assembly.....	22 - 23
Parking Brake Assembly.....	24
Optional Spot Light Assembly.....	25
Notes.....	26
Warranty.....	Rear Cover

Quick Reference Service Filters/ Belts

DP Part No.	Description
2501211	Air Filter for Honda (GX630)
2703594	Fuel Filter for Honda (GX630)
2702741	Oil Filter for Honda (GX630)
2503876	Blade Shaft Belt (3) for Honda (GX630)
2501781	Transmission Belt for Honda (GX630)
2500103	Engine Oil (1.6 Quarts)

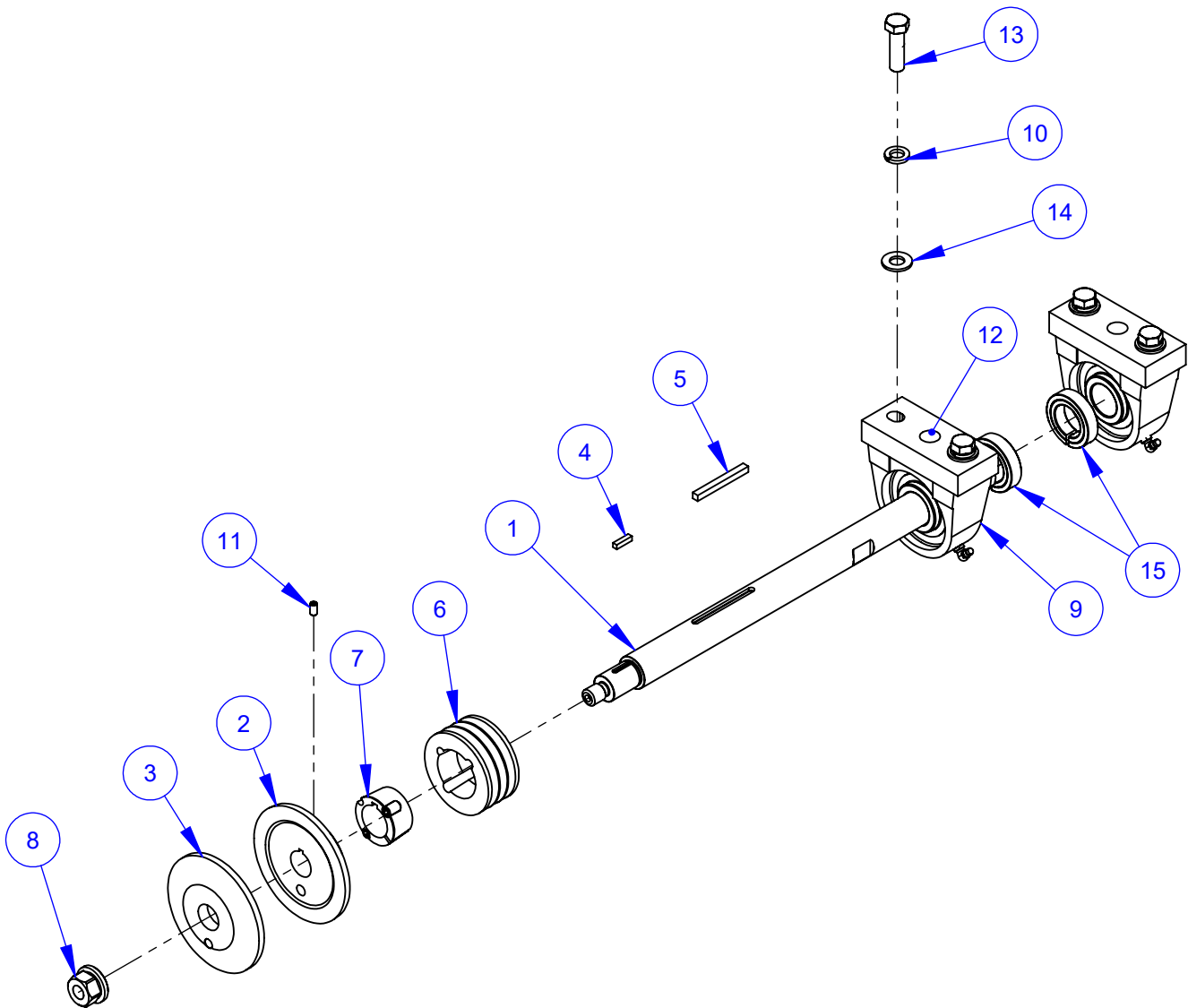
Lower Frame Assembly #6040871



Lower Frame Assembly #6040871

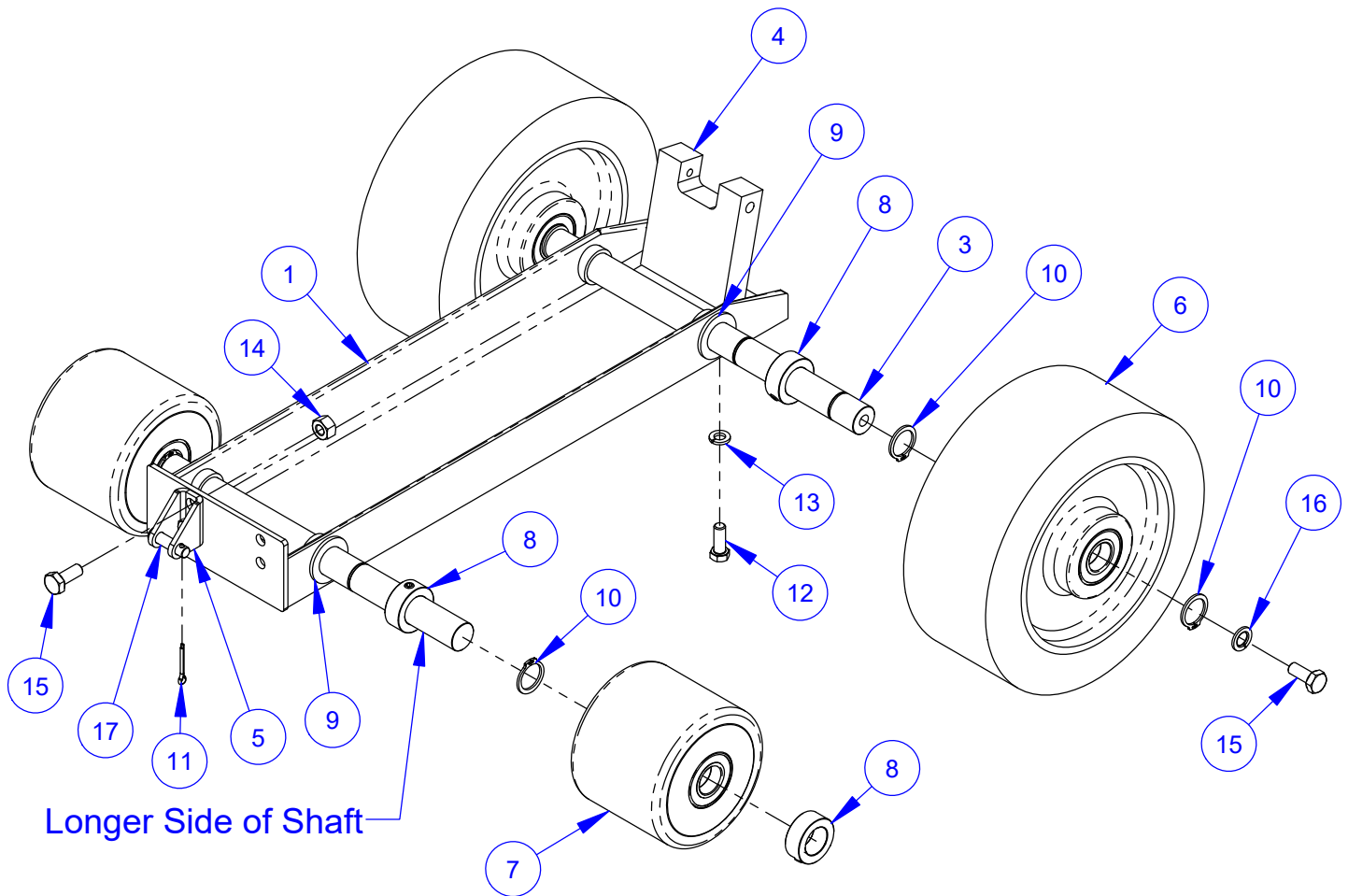
ITEM	PART NO.	QTY.	DESCRIPTION
1	6040861	1	Frame Weldment
2	6040797	1	Actuator Mount
3	2504872	1	Actuator, 5" stroke
4	2900006	1	Lock Washer, 3/8" Split
5	2900696	2	Jam Nut, 3/8-24
6	2500886	1	Rod End, 3/8-24 Male w/ Zerc
7	2907018	2	Cap Screw, Hex Hd., M8-1.25 x 50mm
8	2901336	4	Flat Washer, M8
9	2900303	2	Lock Nut, M8-1.25 Nylon Insert
10	2900596	1	Cap Screw, Hex Hd., 3/8-16 x 2-1/2"
11	2900014	2	Flat Washer, 3/8" SAE
12	2900018	1	Locknut, 3/8-16, Nylon
13	2504844	2	Spring, Comp. .68 X .085 X 1.50
14	6040670	1	Spring Block
15	2901975	2	Shoulder Screw, 3/8" x 1-3/4" (5/16-18)
16	2901884	2	Jam Locknut, 5/16-18" Nylon
17	2900329	2	Cap Screw, Hex Hd., M8-1.25 x 20mm
18	2900782	1	Jam Nut, 3/8-16
19	2900521	1	Tap Bolt, Hex Hd., 3/8-16 x 2-1/2"
20	2900022	1	Flat Washer, 5/16" SAE
21	6010558	1	Mounting Tab 90 Deg.
22	6040857	1	Swing Cover Plate
23	2900968	1	Shoulder Screw, 5/16" x 3/8" (1/4-20)
24	2900252	1	Belleville Washer, 5/16"
25	2505188	4	Ring Tie Down
26	2900333	2	Cap Screw, Hex Hd., M10-1.5 x 25mm
27	2900304	4	Lock Nut, M10-1.5 Nylon Insert
28	2901356	8	Flat Washer, M10
29	2900239	5	Friction Washer, 1/2"
30	2900317	2	Cap Screw, Hex Hd., M10-1.5 x 45mm
31	6041384	2	Weight Bar
32	1802829	1	Decal, Danger, Do Not Operate W/O Guard
33	2900889	3	Friction Washer, 5/16"

Blade Shaft Assembly #6040396



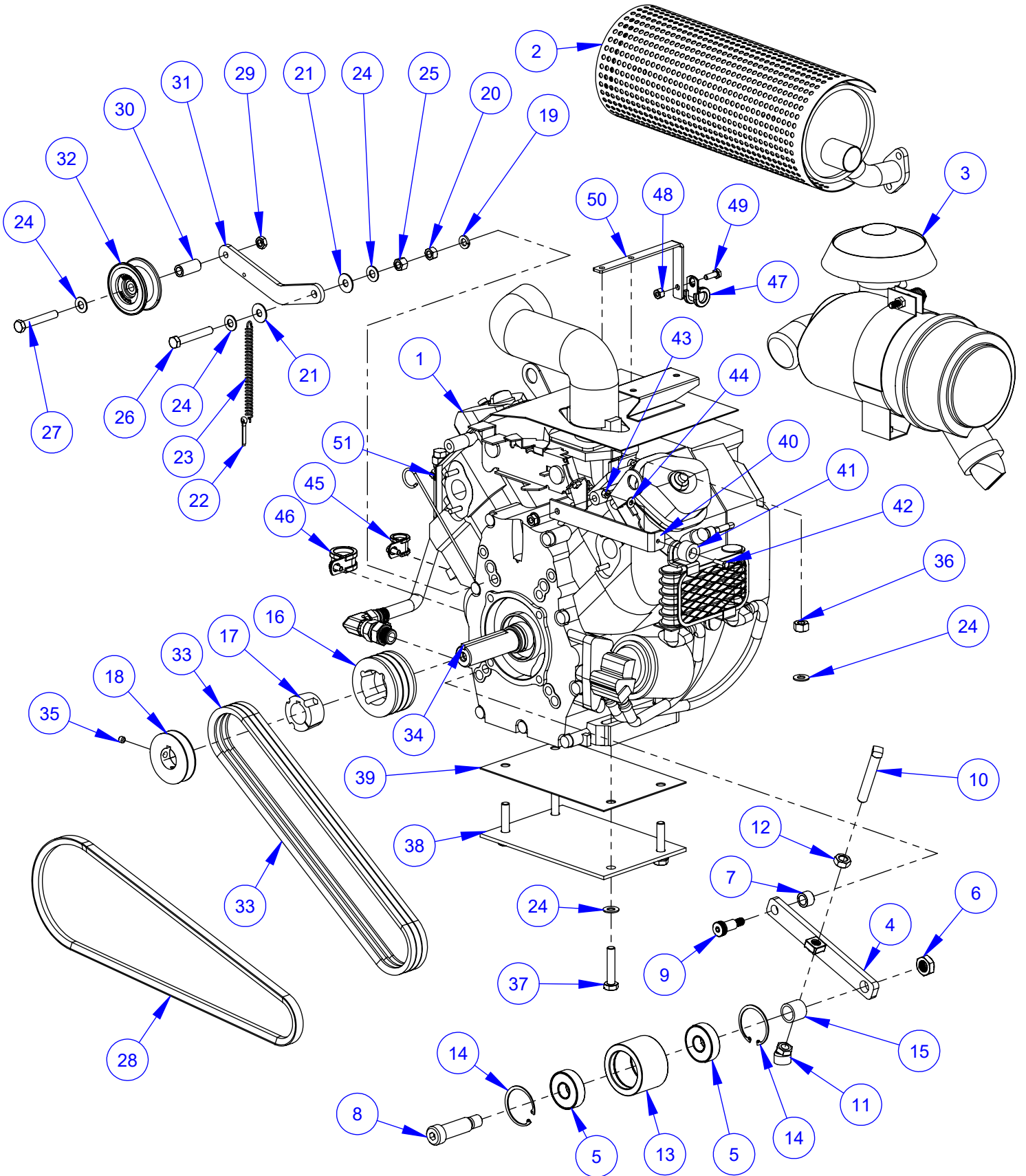
ITEM	PART NO.	QTY.	DESCRIPTION
1	6040747	1	Blade Shaft
2	6048008	1	Inner Flange 4-1/2"
3	6048009	1	Outer Flange, 4-1/2" w/ Pin
4	6048018	1	Key, 3/16" Sq. x 3/4"
5	6011838	1	Key, 1/4" SQ x 2-1/2" Long
6	2500024	1	Sheave, 3.15-3 Groove
7	2504843	1	Taper Bushing, 1-1/4" x 1210 w/ Set Screws
8	2900065	1	Flange Nut, 5/8-11 R.H.
9	2500158	2	Pillow Block Bearing 1-1/4"
10	2900084	4	Lock Washer, 1/2" Split
11	2900076	1	Set Screw, Soc. Hd., 1/4-20 x 1/2"
12	6047903	2	Bearing Spacer 7/8"
13	2900139	4	Cap Screw, Hex Hd., 1/2-13 x 1-3/4"
14	2900058	4	Flat Washer, 1/2" SAE
15	2506232	2	Clamp Collar, 1-1/4" Plain Bore, Single-Split

Axle Assembly #6040805



ITEM	PART NO.	QTY.	DESCRIPTION
1	6040665	1	Axle Weldment
2	6040666	1	Front Axle
3	6040623	1	Rear Axle
4	6040669	1	Pump Supprt
5	6040803	1	Mounting Bracket, Actuator
6	2503643	2	Wheel, 10 x 4 x 1" Poly
7	2503642	2	Wheel, 5 x 4 x 1"
8	2500009	4	Set Collar, 1" ID
9	2503647	4	Bearing, Flanged Bronze 1" ID
10	2504810	8	Retaining Ring, 1" Ext. Heavy Duty
11	2900004	1	Cotter Pin, 1/8" x 1"
12	2900005	2	Cap Screw, Hex Hd., 3/8-16 x 1"
13	2900006	2	Lock Washer, 3/8" Split
14	2900304	2	Lock Nut, M10-1.5 Nylon Insert
15	2900333	4	Cap Screw, Hex Hd., M10-1.5 x 25mm
16	2900699	2	Lock Washer, M12 Split
17	2504976	1	3/8" x 1-3/8" Clevis Pin (1-1/8")

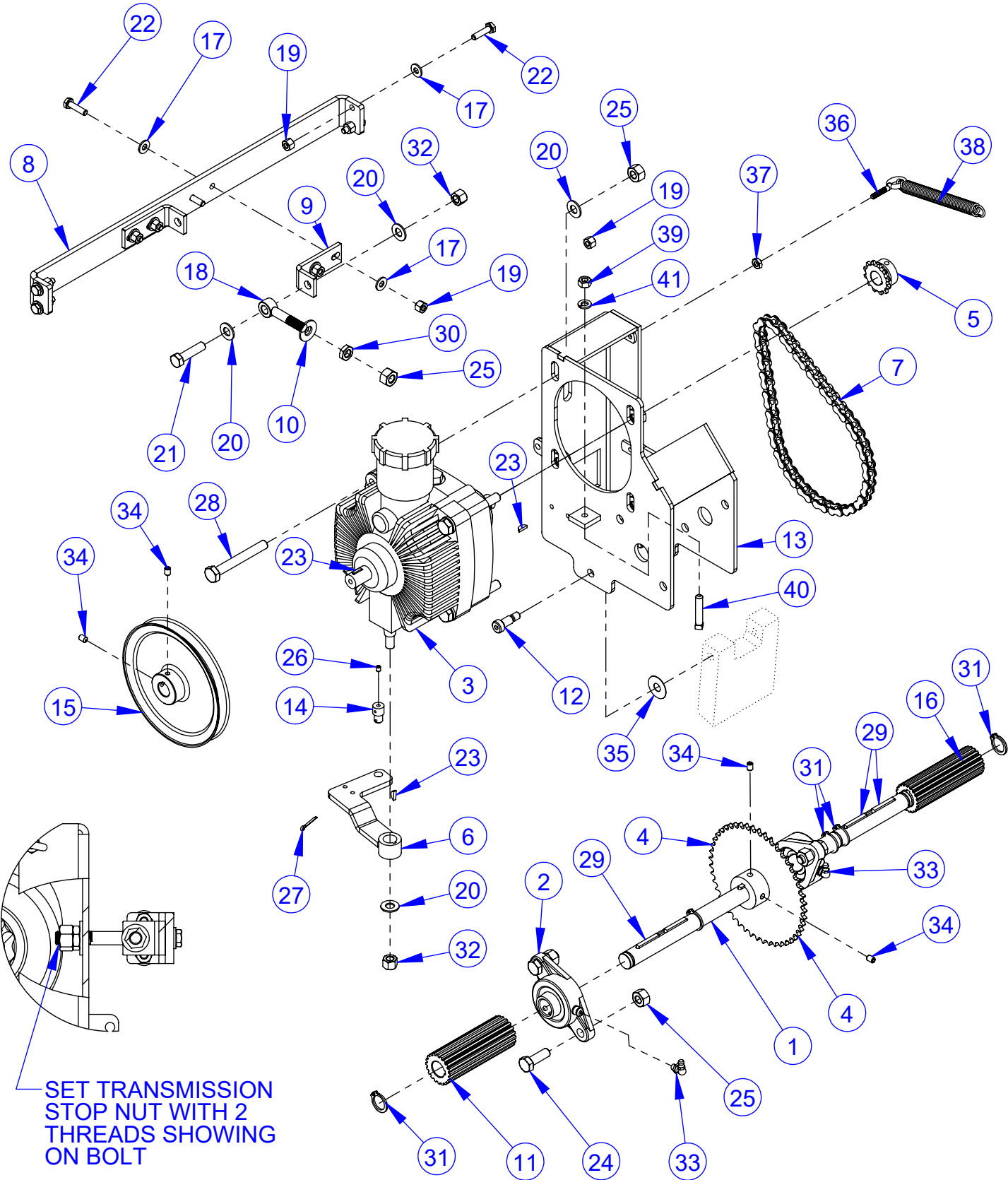
Engine Assembly #6040873



Engine Assembly #6040873

ITEM	PART NO.	QTY.	DESCRIPTION
1	2600644	1	Engine, Honda (GX630)
2	2708046	1	Honda Muffler, R Side Exhaust
3	2703556	1	Air Cleaner Assembly
4	6040758	1	Belt Tensioner Arm
5	2502716	2	Ball Bearing, 3/4 x 2 x 9/16 (1638-ZZ)
6	2900753	1	Jam Lock Nut, 5/8-11
7	6040835	1	Spacer, 1/2" ID x 3/4" OD x .490"
8	2900498	1	Shoulder Bolt, 3/4" x 2" (5/8-11)
9	2902004	1	Shoulder Screw, 1/2" x 7/8" (3/8-16)
10	2902005	1	Set Screw, Sq. Hd., 1/2-13 x 3"
11	2900722	1	Swivel Pad, 1/2-13
12	2900129	1	Jam Nut, 1/2-13
13	6040854	1	Idler, Flat
14	2501392	2	Retaining Ring, 2" Internal
15	6040855	1	Spacer, 3/4" ID x 7/8" Long
16	2500024	1	Sheave, 3.15-3 Groove
17	2500029	1	Taper Bushing, 1-1/8" with Set Screws
18	6048195	1	Pulley, 1-1/8" Bore
19	2900006	1	Lock Washer, 3/8" Split
20	2900033	1	Hex Nut, 3/8-16
21	2900153	2	Friction Washer, 3/8"
22	2900055	1	Cotter Pin, 3/16" x 1"
23	2500230	1	Spring, 3/8" x 5-1/2"
24	2900014	11	Flat Washer, 3/8" SAE
25	2900018	1	Locknut, 3/8-16, Nylon
26	2902656	1	Tap Bolt, Hex Hd., 3/8-16 x 2-3/4"
27	2900521	1	Tap Bolt, Hex Hd., 3/8-16 x 2-1/2"
28	2501781	1	V-Belt, AX42
29	2900782	1	Jam Nut, 3/8-16
30	4647121	1	Spacer, Adjustable Roller
31	6040772	1	Idler Arm
32	2505684	1	Idler Pulley, 2" Face Dia with 3/8" Bore
33	2503876	3	V-Belt, 3VX385
34	6047977	1	Key, 1/4" Sq. x 3"
35	2900036	2	Set Screw, Soc. Hd., 5/16-18 x 1/4"
36	2900304	4	Lock Nut, M10-1.5 Nylon Insert
37	2900318	4	Cap Screw, Hex Hd., M10-1.5 x 50mm
38	6040799	1	Motor Mount Pad
39	6040798	1	Motor Mount Plate
40	6040853	1	Pointer Stop
41	2503699	1	Bumper, 1" Dia. x 5/8" Thick
42	2900015	1	Machine Screw, Hex Hd., #10-24 x 3/4"
43	2900017	1	Lock Nut, #10-24 Nylon
44	2900016	1	Flat Washer, #10 USS
45	2801151	1	Hose Clamp, 3/4" x 3/4" Wide
46	3201729	1	Hose Clamp, 1" x 3/4" Wide
47	2501434	1	Hose Clamp, 5/8" x 3/4" Wide
48	2900010	1	Lock Nut, 1/4-20 Nylon
49	2900144	1	Cap Screw, Hex Hd., 1/4-20 x 3/4"
50	6040927	1	Bracket, Fuel Shutoff
51	6040925	1	Oil Drain Hose Assembly
52	6049058	1	Wire Harness, Honda Engines (Not Shown)

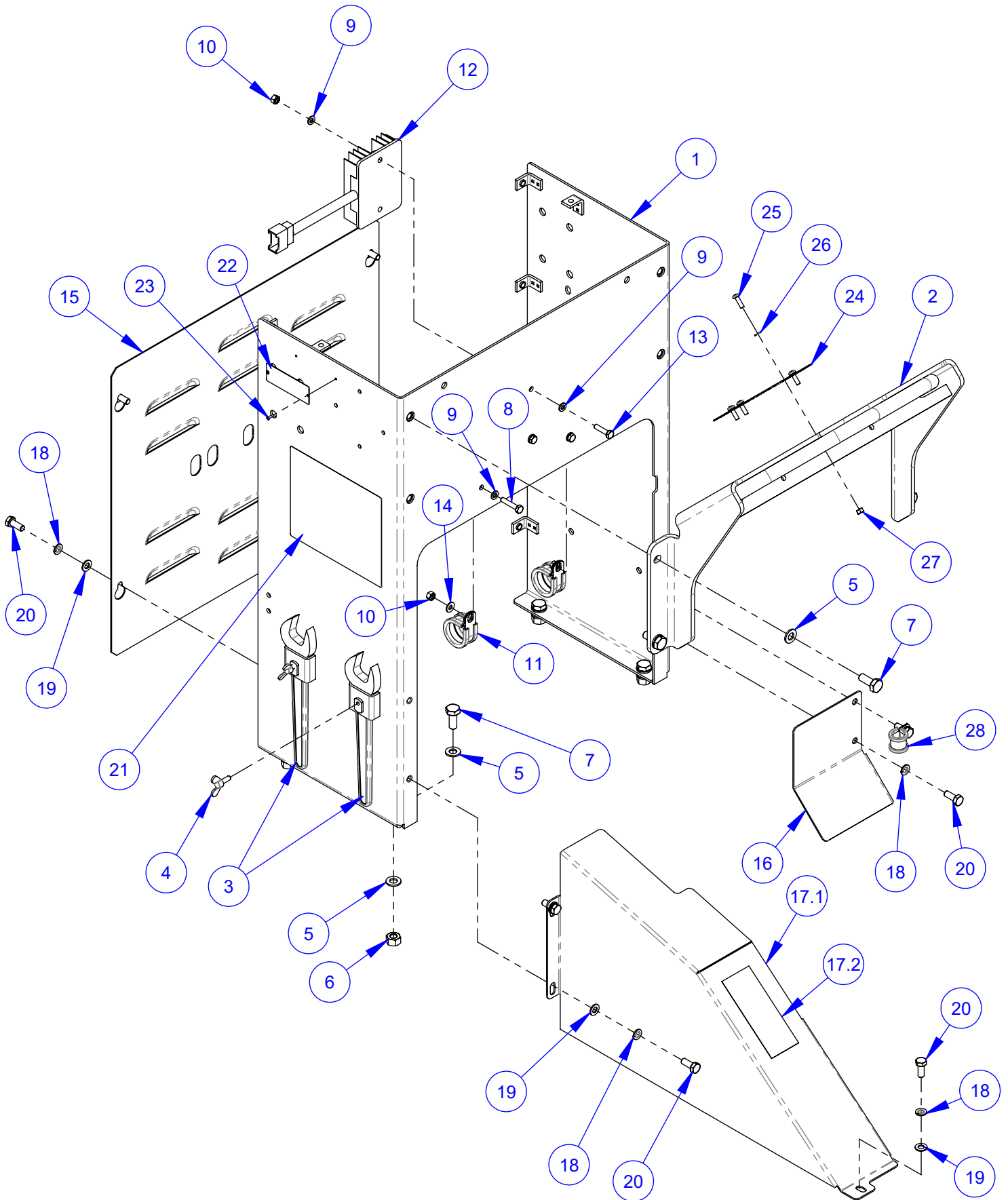
Transmission Assembly #6040876



Transmission Assembly #6040876

ITEM	PART NO.	QTY.	DESCRIPTION
1	6040668	1	Drive Shaft
2	2500011	2	Flange Block Bearing, 3/4"
3	2600015	1	Eaton 7 Transmission
4	2500018	1	Sprocket, 48 Teeth w/ Setscrews
5	2500017	1	Sprocket, 12 Teeth
6	6040763	1	Shift Lever
7	6048232	1	Chain, #35 x 63 Pitch
8	6040672	1	Upright Brace
9	6040673	2	Bracket, Pump
10	2900473	1	Flat Washer, 3/8" USS
11	6040674	1	Sprocket, 20T 1.50 OD
12	2900936	2	Shoulder Screw, 3/8" x 5/8" (5/16-18)
13	6040765	1	Hydrostatic Pump Frame
14	6048212	1	Pivot Pin
15	2500016	1	Pulley, 6"
16	6040675	1	Sprocket, 20T 1.38 OD
17	2900009	12	Flat Washer, 1/4" SAE
18	6044017	1	Rod End Bolt, M10 x 60mm
19	2900010	9	Lock Nut, 1/4-20 Nylon
20	2900014	7	Flat Washer, 3/8" SAE
21	2900029	1	Cap Screw, Hex Hd., 3/8-16 x 1-1/2"
22	2900008	8	Cap Screw, Hex Hd., 1/4-20 x 1"
23	2900068	3	Woodruff Key #404, 1/8" W x 1/2" Dia.
24	2900223	4	Cap Screw, Hex Hd., M10-1.5 x 30mm
25	2900304	9	Lock Nut, M10-1.5 Nylon Insert
26	2900059	1	Set Screw, Soc. Hd., #10-32 x 1/4"
27	2900034	1	Cotter Pin, 3/32" x 3/4"
28	2900319	4	Cap Screw, Hex Hd., M10-1.5 x 80mm
29	6048229	5	Key, 3/16" Sq. x 1-1/4"
30	2902413	1	Hex Jam Nut, M10-1.5
31	2504805	5	Retaining Ring, .75 Ext. Heavy Duty
32	2900018	2	Locknut, 3/8-16, Nylon
33	2900061	2	Grease Fitting, 1/4-28 x 90 Degree
34	2900101	4	Set Screw, Soc. Hd., 1/4-20 x 3/8"
35	2504984	2	3/8" Shim Washer (.04 x 1.09 x .02 Thk.)
36	2900548	1	Eyebolt, 1/4-20 x 1"
37	2900358	1	Jam Nut, 1/4-20
38	2503651	1	Spring, .57 x .08 x 5-5/8"L Ext.
39	2900141	1	Hex Nut, 5/16-18
40	2900140	1	Set Screw, Sq. Hd., 5/16-18 x 1-1/2"
41	2900031	1	Lock Washer, 5/16" Split

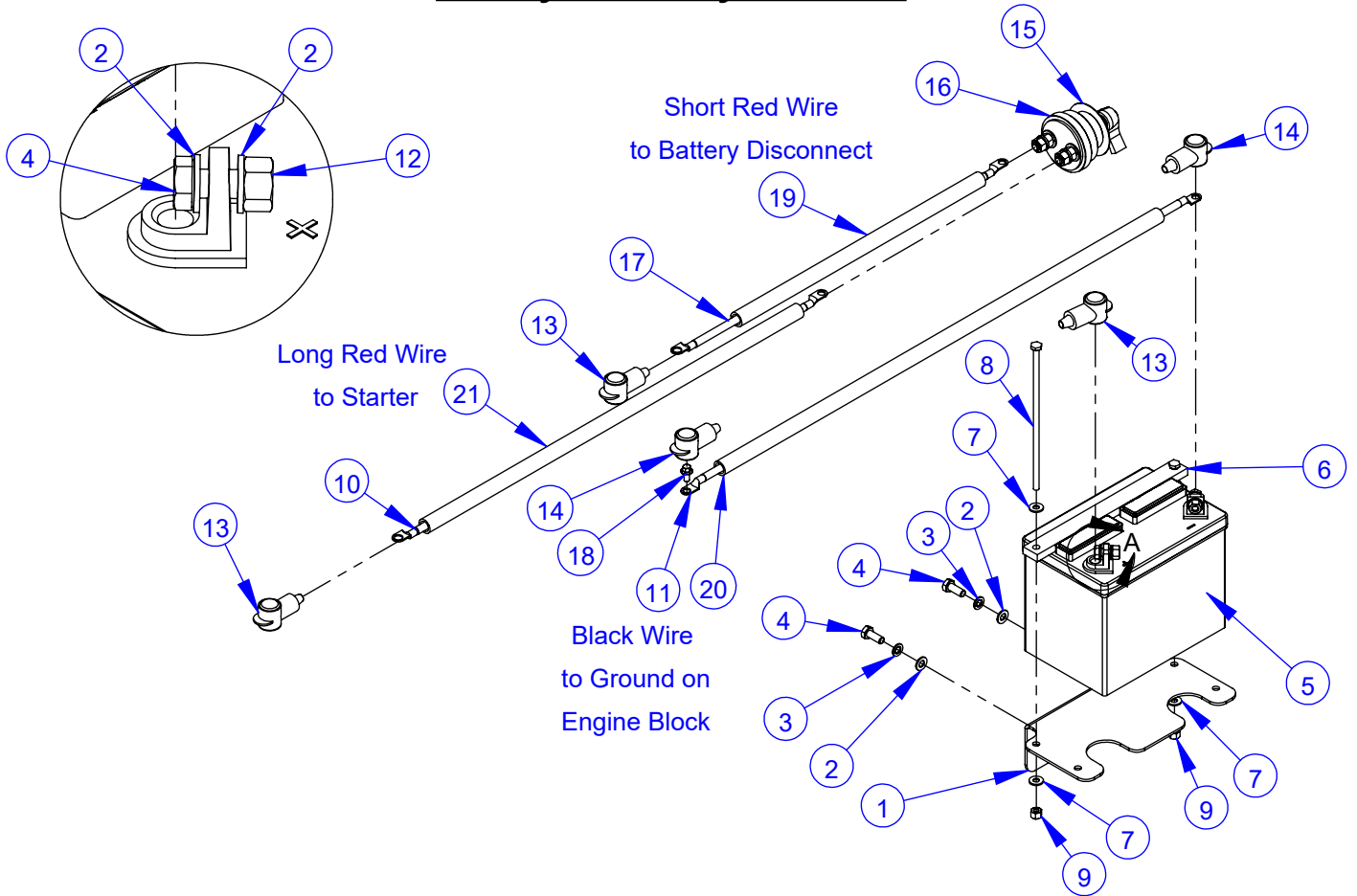
Frame Upright Assembly #6040872



Frame Upright Assembly #6040872

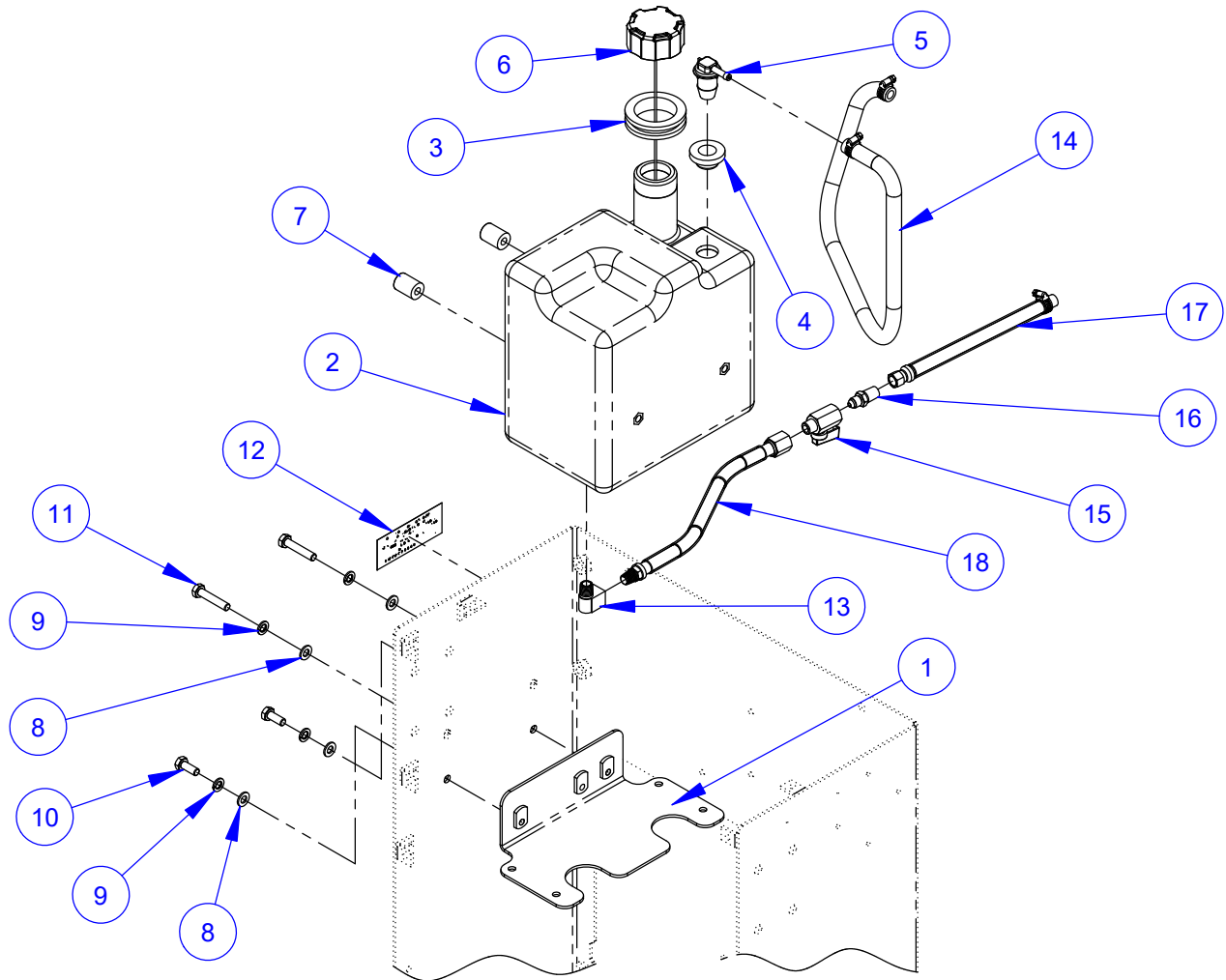
ITEM	PART NO.	QTY.	DESCRIPTION
1	6040864	1	Frame Upright Weldment
2	6040865	1	Lift Frame Weldment
3	2500256	2	Wrench, 1-1/16" Open End
4	2900307	2	Wing Screw, M6 x 16mm
5	2901356	12	Flat Washer, M10
6	2900304	4	Lock Nut, M10-1.5 Nylon Insert
7	2900333	8	Cap Screw, Hex Hd., M10-1.5 x 25mm
8	2900342	2	Cap Screw, Hex Hd., M6-1.0 x 30mm
9	2901494	6	Flat Washer, M6
10	2900302	4	Lock Nut, M6-1.0 Nylon Insert
11	2504465	2	Hose Clamp, 1-1/4" x 3/4" Wide
12	2701670	1	Rectifier Assembly
13	2900311	2	Cap Screw, Hex Hd., M6-1.0 x 25mm
14	2900016	2	Flat Washer, #10 USS
15	6040867	1	Rear Cover Screen
16	6040859	1	Guard, Wheel Drive
17	6040917	1	Belt Guard w/ Decal
17.1	6040866	1	Belt Guard
17.2	1800001	1	Warning Label
18	2900763	9	Lock Washer, M8 Split
19	2901336	7	Flat Washer, M8
20	2900329	9	Cap Screw, Hex Hd., M8-1.25 x 20mm
21	1802867	2	Decal, CC190FC Core Cut
22	1800169	1	Serial Number Plate, US
23	2900053	2	Rivet, 3/32" Dia.
24	6016138	1	Diamond Logo Emblem
25	2902122	4	Machine Screw, Pan Hd., M5-0.8 x 16mm
26	2900767	4	Lock Washer, M5 Split
27	2900301	4	Lock Nut, M5-0.8 Nylon Insert
28	2801151	1	Hose Clamp, 3/4" x 3/4" Wide

Battery Assembly #6040761



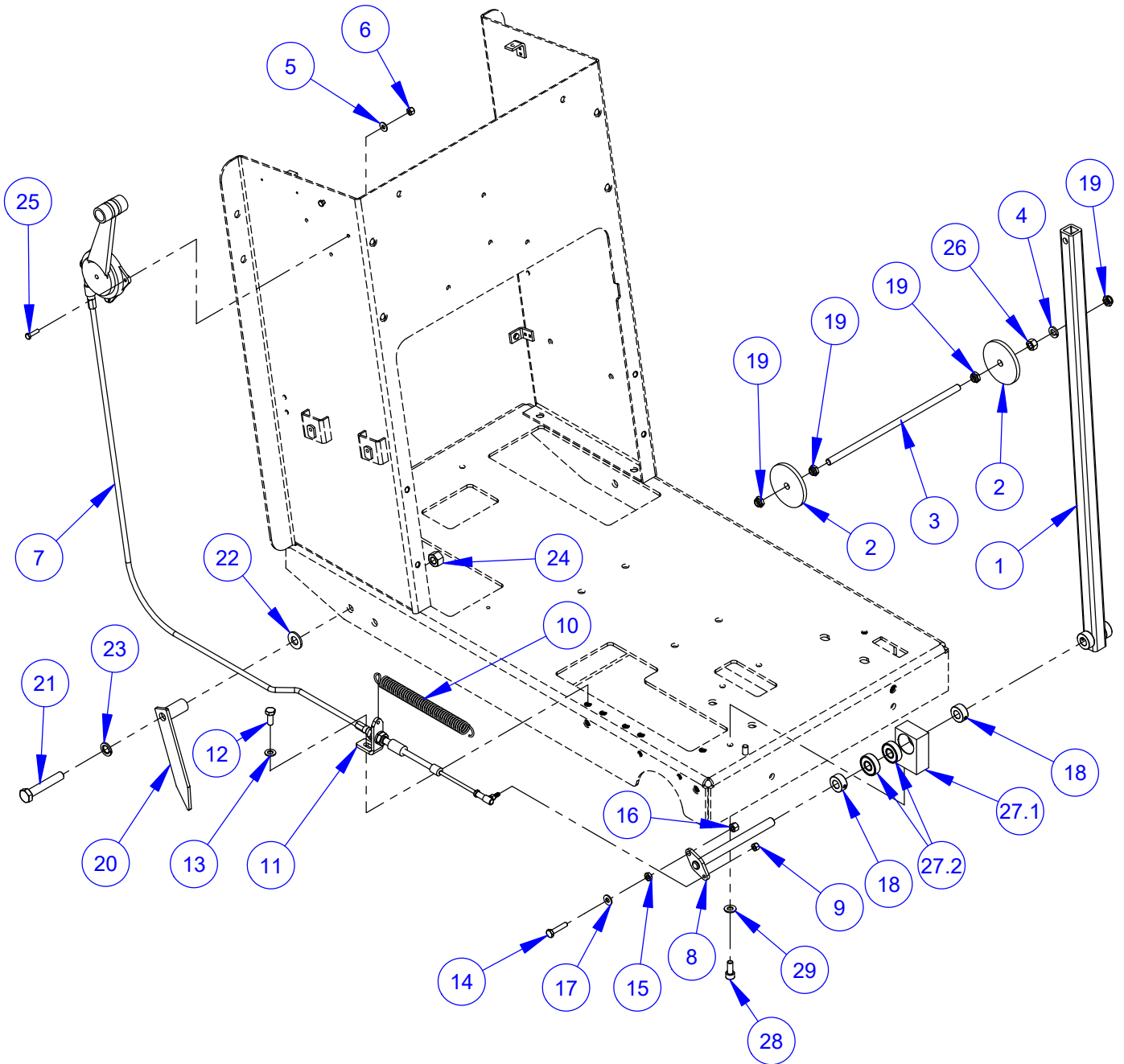
ITEM	PART NO.	QTY.	DESCRIPTION
1	6048327	1	Bracket
2	2901336	6	Flat Washer, M8
3	2900763	2	Lock Washer, M8 Split
4	2900329	4	Cap Screw, Hex Hd., M8-1.25 x 20mm
5	2500584	1	Battery, 12 Volt Group Size U1
6	4646122	1	BatterySupport
7	2900009	4	Flat Washer, 1/4" SAE
8	2901405	2	Cap Screw, Hex Hd., 1/4-20 x 7-1/2"
9	2900010	2	Lock Nut, 1/4-20 Nylon
10	6047717	1	Battery Cable, Red 26"
11	6048092	1	Battery Cable, 31" Negative (Black)
12	2900303	2	Lock Nut, M8-1.25 Nylon Insert
13	2800197	3	Battery Boot, Small (Red)
14	2800198	2	Battery Boot, Small (Black)
15	2800566	1	Face Plate, Battery Disconnect
16	2800565	1	Battery Disconnect Switch
17	6047718	1	Battery Cable, 20" Positive (Red)
18	2901370	1	Cap Screw, Hex Flange, M6-1.0 x 12mm
19	6001112	1	Split Loom, 1/2"ID x 15"L (Red)
20	6001115	1	Split Loom, 1/2"ID x 27"L (Black)
21	6001113	1	Split Loom, 1/2"ID x 23"L (Red)

Fuel Tank Assembly #6040920



ITEM	PART NO.	QTY.	DESCRIPTION
1	6048327	1	Bracket
2	6010849	1	Fuel Tank, 1.5 Gallon
3	2500623	1	Fuel Tank Grommet
4	2506716	1	Grommet
5	2502484	1	Roll Over Vent, 1/4" Hose Barb
6	2506718	1	Fuel Tank Cap, 1-3/4"
7	2900797	2	Standoff, 3/4 x 1"
8	2901336	4	Flat Washer, M8
9	2900763	4	Lock Washer, M8 Split
10	2900329	2	Cap Screw, Hex Hd., M8-1.25 x 20mm
11	2900792	2	Cap Screw, Hex Hd., M8-1.25 x 40mm
12	1801716	1	Decal, EPA EVAP Standard
13	3200012	1	Street Elbow, 1/4" NPT
14	6040391	1	Vent Hose Assy., 3/8 x 34"
15	3200108	1	Ball Valve, 1/4" NPT
16	3200418	1	Adapter, 1/4" M. Pipe to 1/4" M. JIC
17	6047067	1	Hose Assy, 8" Long
18	6047068	1	Hose Assy., Fuel, 1/4" X 11"

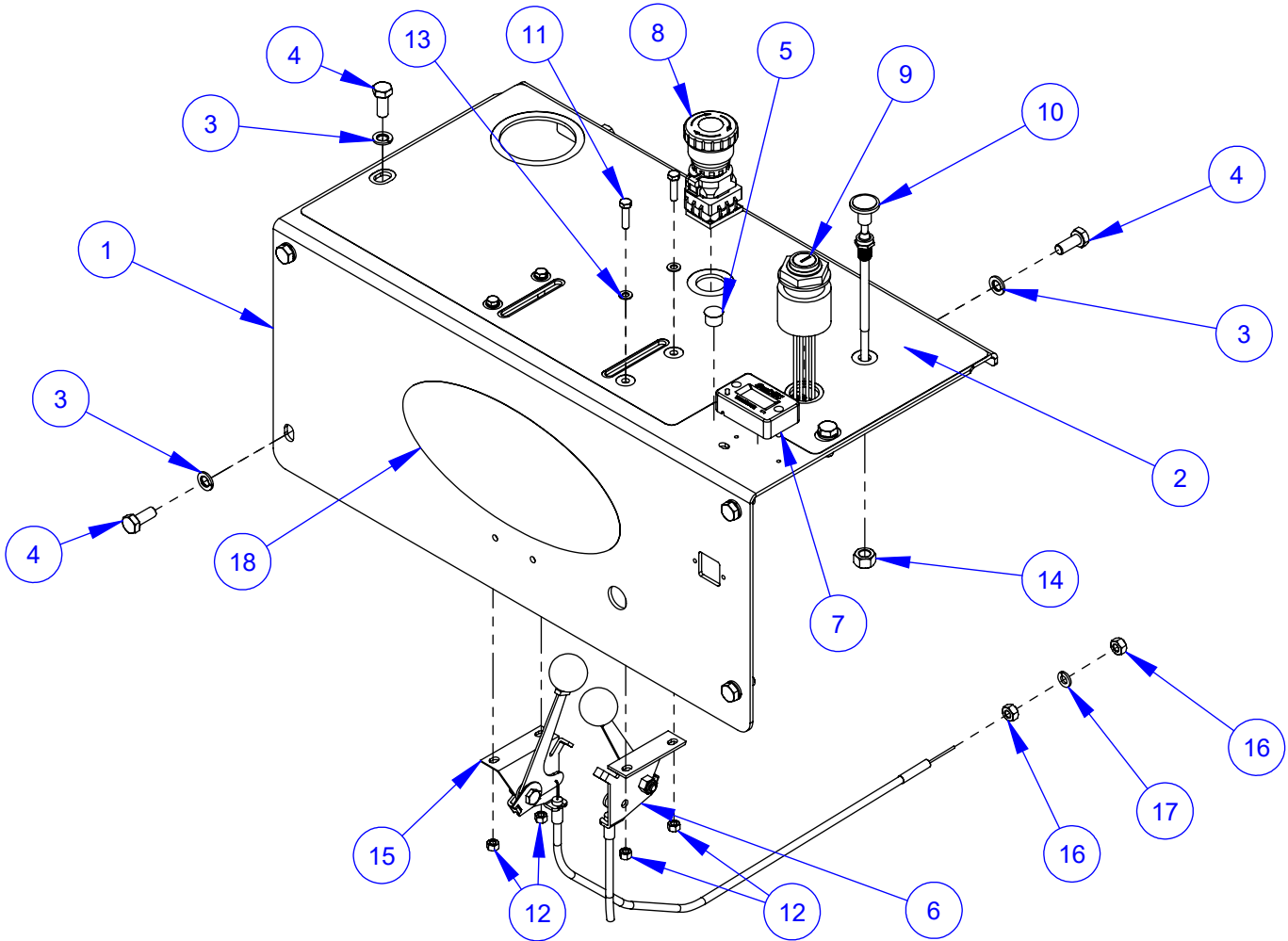
Pointer Assembly #6040874



Pointer Assembly #6040874

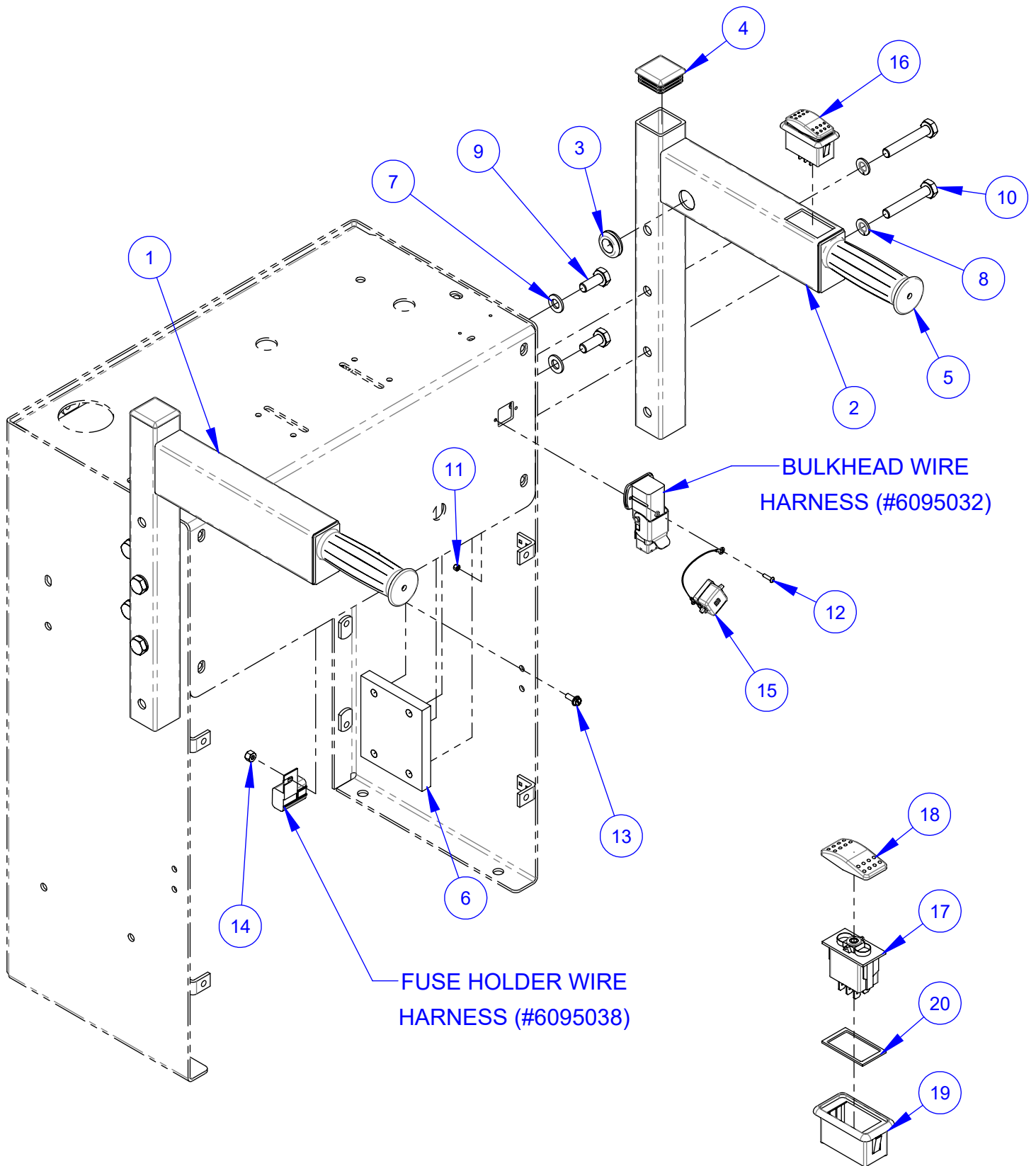
ITEM	PART NO.	QTY.	DESCRIPTION
1	6040783	1	Pointer Weldment
2	6041086	2	Guide Wheel
3	6011653	1	Rod, 3/8-16 x 10-3/4" (Aluminum)
4	2900006	1	Lock Washer, 3/8" Split
5	2900016	4	Flat Washer, #10 USS
6	2900017	4	Lock Nut, #10-24 Nylon
7	2505685	1	Control Lever and Cable
8	6040849	1	Shaft, Pointer Arm
9	2900688	1	Lock Nut, #10-32 Nylon
10	2505689	1	Spring, Ext., .75" x 5.5" L
11	6030477	1	Cable Mount
12	2900329	1	Capscrew, Hex Hd., M8 x 1.25 x 20mm
13	2901336	1	Flat Washer, M8
14	2900052	1	Cap Screw, Hex Hd., 1/4-20 x 1-1/4"
15	2900358	1	Jam Nut, 1/4-20
16	2900010	1	Lock Nut, 1/4-20 Nylon
17	2900009	1	Flat Washer, 1/4" SAE
18	2500007	2	Set Collar, 1/2" with Set Screw
19	2903246	4	Jam Lock Nut, 3/8-16
20	6040856	1	Rear Pointer
21	2901345	1	Cap Screw, Hex Hd., M12-1.75 x 70mm
22	2900058	1	Flat Washer, 1/2" SAE
23	2900699	1	Lock Washer, M12 Split
24	2900327	1	Lock Nut, M12-1.75 Nylon Insert
25	2900015	4	Machine Screw, Hex Hd., #10-24 x 3/4"
26	2900033	1	Hex Nut, 3/8-16
27	6041966	1	Bearing Mount
27.1	6030349	1	Bearing Mount
27.2	2503618	2	Ball Bearing, 1/2" x 32mm x 10mm
28	2900243	2	Cap Screw, Soc. Hd., M8-1.25 x 20mm
29	2900022	2	Flat Washer, 5/16" SAE

Control Panel Assembly #6040875



ITEM	PART NO.	QTY.	DESCRIPTION
1	6040868	1	Control Panel Weldment
2	1802866	1	CC190FC Label, Operating
3	2900763	8	Lock Washer, M8 Split
4	2900329	8	Cap Screw, Hex Hd., M8-1.25 x 20mm
5	2500204	1	Plug, 1/2" Hole
6	2500810	1	Throttle Control, 36"
7	2801502	1	Tach/Hour Meter, W/#6 Screws
8	2801367	1	E-Stop Switch
9	6049057	1	Honda Ignition Switch Assembly
10	2500377	1	Choke Cable
11	2900309	4	Cap Screw, Hex Hd., M5-0.8 x 20mm
12	2900301	4	Lock Nut, M5-0.8 Nylon Insert
13	2900926	4	Flat Washer, M5
14	2900148	1	Hex Nut, 3/8-24
15	2500076	1	Transmission Speed Control Lever w/ Cable
16	2900186	2	Hex Nut, 1/4-28
17	2900024	1	Lock Washer, 1/4" Split
18	1802620	1	DP Oval Logo Decal

Rocker Switch/ Handlebar Assembly #6040921

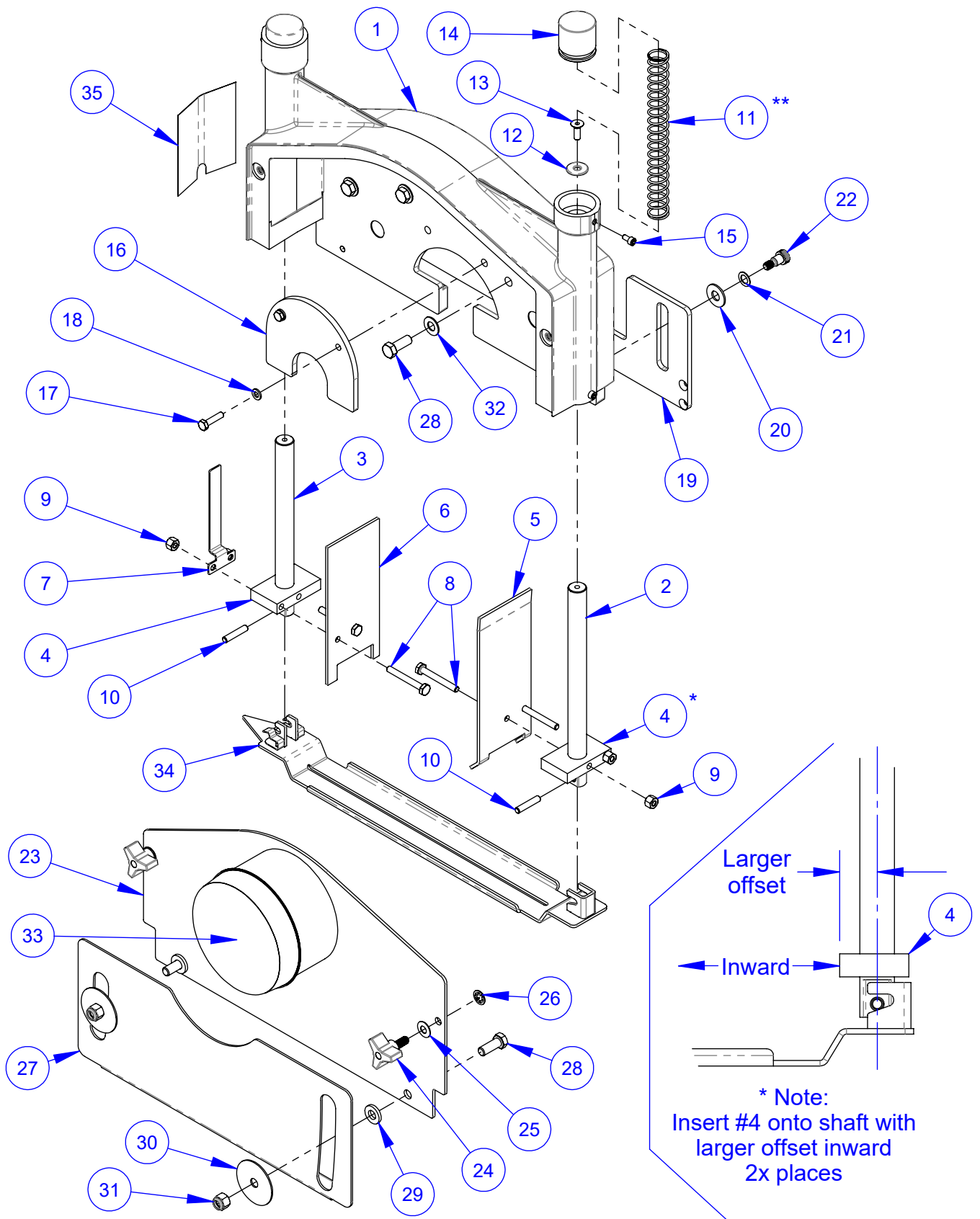


Rocker Switch/ Handlebar Assembly #6040921

ITEM	PART NO.	QTY.	DESCRIPTION
1	6040878	1	Handlebar, Left Side
2	6040879	1	Handlebar, Right Side
3	2508013	1	Grommet, 5/8" I.D.
4	2503925	2	Cap, 1-1/4" Sq. Tube
5	2500636	2	Handle Grip
6	6041386	2	Mounting Plate, Handlebar
7	2901356	4	Flat Washer, M10
8	2900321	4	Lock Washer, M10 Split
9	2900333	4	Cap Screw, Hex Hd., M10-1.5 x 25mm
10	2900338	4	Cap Screw, Hex Hd., M10-1.5 x 60mm
11	2902220	2	Lock Nut, M3-0.5 Nylon Insert
12	2902093	2	Cap Screw, Button Hd., M3-0.5 x 12mm
13	2901412	1	Machine Screw, Hex Flange Hd., #10-24 x 1/2"
14	2900017	1	Lock Nut, #10-24 Nylon
15	2801513	1	Bulkhead Cover
16	6019158	1	Rocker Switch Assembly

ITEM	PART NO.	QTY.	DESCRIPTION
17	2800258	1	Rocker Switch Body
18	2800259	1	Rocker Switch Actuator
19	2800260	1	Rocker Mount Panel
20	2800261	1	Rocker Panel Gasket

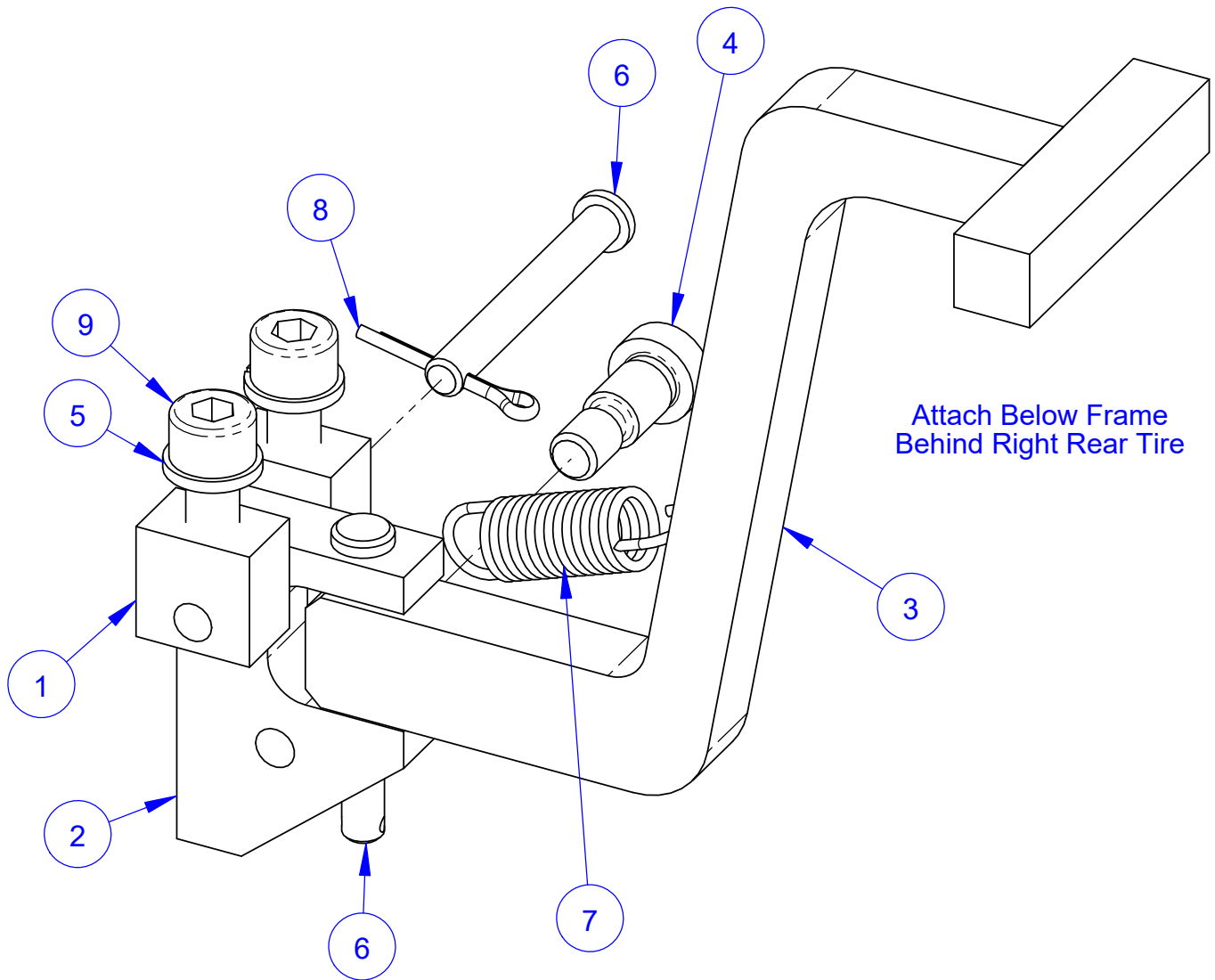
14" Blade Box Assembly #6040860



14" Blade Box Assembly #6040860

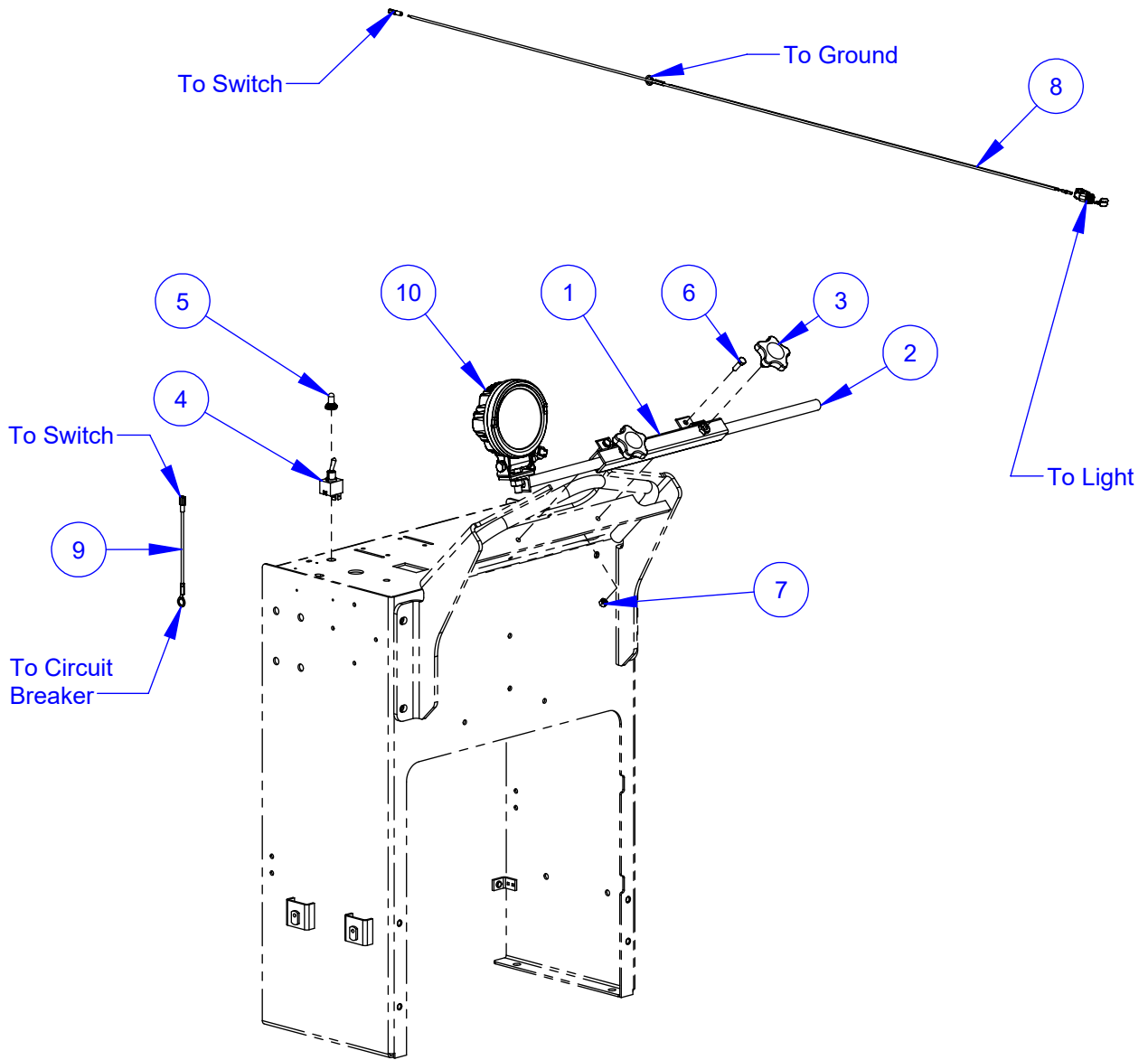
ITEM	PART NO.	QTY.	DESCRIPTION
1	6040863	1	Blade Box Assembly, 14"
	6040846	1	Housing, Blade Box, CC190FC
	2504629	2	Bearing Bronze 3/4 ID X 1 X 2-1/2"
	2504631	2	Shaft Seal, 3/4" Shaft
	2901212	2	Helicoil, 5/16-18 x .469
	2900121	2	Cap Screw, Soc. Hd., #10-32 x 3/8"
2	6040885	1	Shaft, Spring Block Front
3	6040886	1	Shaft, Spring Block Rear
4	6040683	2	Collar, Dust Diverter
5	6040883	1	Diverter, Front Dust
6	6040884	1	Diverter, Rear Dust
7	6040693	1	Depth Guide
8	2901882	4	Tap Bolt, Hex Hd., 1/4-20 x 2"
9	2900010	4	Lock Nut, 1/4-20 Nylon
10	2900577	2	Pin, Dowel 1/4 x 1-1/4"
11	2504871	2	Comp. Spring, .866 X .079 X 7.874L
12	2902632	2	Flat Washer, 1/4" x 7/8" OD
13	2900020	2	Cap Screw, Flat Hd., 1/4-20 x 3/4"
14	6040680	2	Cap, Spring Block
15	2900121	2	Cap Screw, Soc. Hd., #10-32 x 3/8"
16	6040882	1	Cover, Belt Access
17	2900311	2	Cap Screw, Hex Hd., M6-1.0 x 25mm
18	2901494	2	Flat Washer, M6
19	6040689	1	Shield, Rear Spring Box
20	2902001	2	Flat Washer, 3/8" PVC
21	2901881	2	Flat Washer, 3/8" Shim
22	2900253	2	Shoulder Screw 3/8" x 3/8", 5/16"-18
23	6040897	1	Vac Attachment Cover
	6040893	1	Cover, Front Blade Box
	6040894	1	Tube, Vac Port
	2900082	4	Cap Screw, Hex Hd., 1/4-20 x 1/2"
	2900024	4	Lock Washer, 1/4" Split
24	2902628	2	Thumb Screw, 5/16-18
25	2901963	2	Washer, Belleville 5/16"
26	2902629	2	Push Nut, 5/16" Screw Size
27	6040888	1	Sliding Plate
28	2900005	5	Cap Screw, Hex Hd., 3/8-16 x 1"
29	2902135	2	Flat Washer, 3/8" Extra Thick
30	2901375	2	Fender Washer, 3/8" x 2"
31	2900018	2	Lock Nut, 3/8-16 Nylon
32	2900014	3	Flat Washer, 3/8" SAE
33	2505688	1	Plug, Tapered Round 5"
34	2505485	1	Skid Plate Weldment - 14" - .200 Slot
35	1802865	1	Decal, Blade Depth CC190FC

Parking Brake Assembly #6043511



ITEM	PART NO.	QTY.	DESCRIPTION
1	6048868	2	Clevis Plate
2	6048867	1	Plate, Brake Pivot
3	6048869	1	Brake Pedel Weldment
4	2900672	1	Shoulder Screw, 3/8" x 1/2" (5/16-18)
5	2900031	2	Lock Washer, 5/16" Split
6	2901404	2	1/4 x 2.0" Clevis Pin
7	2500068	1	Spring, .063 x .50 x 1.75
8	2900034	1	Cotter Pin, 3/32" x 3/4"
9	2900243	2	Cap Screw, Soc. Hd., M8-1.25 x 20mm

Optional Spotlight Kit #6040923



ITEM	PART NO.	QTY.	DESCRIPTION
1	6010107	1	Light Bar Mount Bracket
2	6010106	1	Light bar
3	2504922	2	Hand Lock Knob, 5/16-18 x 3/4"
4	2800062	1	Toggle Switch On/Off
5	2800063	1	Toggle Switch Boot
6	2900310	2	Cap Screw, Hex Hd., M6-1.0 x 20mm
7	2900302	2	Lock Nut, M6-1.0 Nylon Insert
8	6011861	1	Spotlight kit harness
9	6011658	1	Wire Assy., 14 Gage, Black, 6.5"
10	6016224	1	Light, 12 Volt LED Spot

EQUIPMENT AND PARTS WARRANTY

Diamond Products warrants all equipment manufactured by it against defects in workmanship or materials for a period of one (1) year from the date of shipment to Customer.

The responsibility of Diamond Products under this Warranty is limited to replacement or repair of defective parts at Diamond Products' Elyria, Ohio factory, or at a point designated by it, of such parts as shall appear to us upon inspection at such parts, to have been defective in material or workmanship, with expense for transportation and labor borne by Customer.

In no event shall Diamond Products be liable for consequential or incidental damages arising out of the failure of any Product to operate properly.

Integral units such as engines, electric motors, batteries, transmissions, etc., are excluded from this Warranty and are subject to the prime manufacturer's warranty.

THIS WARRANTY IS IN LIEU OF ALL OTHER WARRANTIES, EXPRESSED OR IMPLIED, AND ALL SUCH OTHER WARRANTIES ARE HEREBY DISCLAIMED.



333 Prospect Street, Elyria, Ohio 44035
(440) 323-4616 • (800) 321-5336 • Fax (800) 634-4035
www.diamondproducts.com