



**CORE CUT
PARTS LIST
& OPERATOR'S MANUAL**

CC1200XL

MARCH, 2024

GENERAL SAFETY WARNINGS AND PRECAUTIONS

PERSONAL SAFETY

- Read and understand all operating instructions before attempting to operate the saw.
- Always wear safety approved hearing, eye, head and respiratory protection.
- Always wear sturdy boots with non-slip soles to ensure proper footing. Use of steel toed safety boots is recommended.
- Due to the nature of concrete cutting, sparks may be generated therefore never wear clothing that is made of flammable material.
- Know how to stop the saw quickly in case of emergency.
- Keep all parts of your body away from the blade and all other moving parts.
- Use caution and follow all instructions when loading and unloading the saw.

BLADE SAFETY

- Examine cutting blades before each use. Blade should have no cracks, nick, or flaws. The center hole must be undamaged. Use only blades recommended for you particular model saw.
- The saw should only be used for cutting material that is specified on each cutting blade. Read the instructions provided with each blade to determine which material the blade is designed to cut.
- Use only reinforced abrasive blades or steel centered diamond blades manufactured for use on concrete saws.
- Inspect blade flanges for damage, excessive wear and cleanliness before mounting the blade. The blade must fit snugly on the clean, undamaged blade shaft.
- Observe the specified maximum speed of the blade. Never use a blade that has a lower maximum operating speed than the blade shaft speed.
- The ignition governor is designed to limit the maximum no-load engine speed. Speeds in excess of that may cause the blade to exceed the maximum blade speed. Do not operate the unit at speeds greater than the maximum blade speed.
- Always keep guards in place and never allow the blade exposure on the guard to exceed 180 degrees. Repair or replace damaged guards immediately.
- Never expose anyone to the direct line of the blade.
- Make sure that the blade does not come in contact with the ground or any other surface when transporting the saw.

GENERAL SAW SAFETY

- The saw must never be left unattended when the engine is running.
- Keep both hands on the handles when operating the saw.
- Never operate the saw if there is a fuel leak.
- Use extreme caution and slow speed when using the self propelled drive to move the saw up or down ramps or when loading and unloading from trucks or trailers. When going down ramps, DRIVE the saw forward slowly. When going up ramps, BACK the saw in reverse slowly.

CUTTING/WORK AREA SAFETY

- Never operate the saw in any application or job in which you are not trained or supervised.
- Always ensure that the work area does not contain any buried or embedded electrical lines, gas lines or water lines. Ensure that all electricity in the ground, floor, walls or ceilings is shut off prior to cutting. Ensure that all gas and water lines that may be buried or embedded in the ground, floor, walls or ceilings are shut off prior to cutting.
- Operate the saw only in well ventilated areas. Engine exhaust contains carbon monoxide which can cause loss of consciousness and death.
- Keep bystanders and animals out of the work area.
- Observe all safety regulations for the safe handling of fuel. Store fuel in appropriate safety containers. Shut off the engine and allow it to cool prior to fueling. Wipe off any spilled fuel. Always move away from the fueling area prior to starting saw.
- Do not operate the saw in areas which contain combustible material or fumes. Sparks may occur from cutting that could cause a fire or explosion.

Concrete cutting as all construction work is inherently dangerous!

Failure to comply with the preceding warnings could result in serious bodily injury!

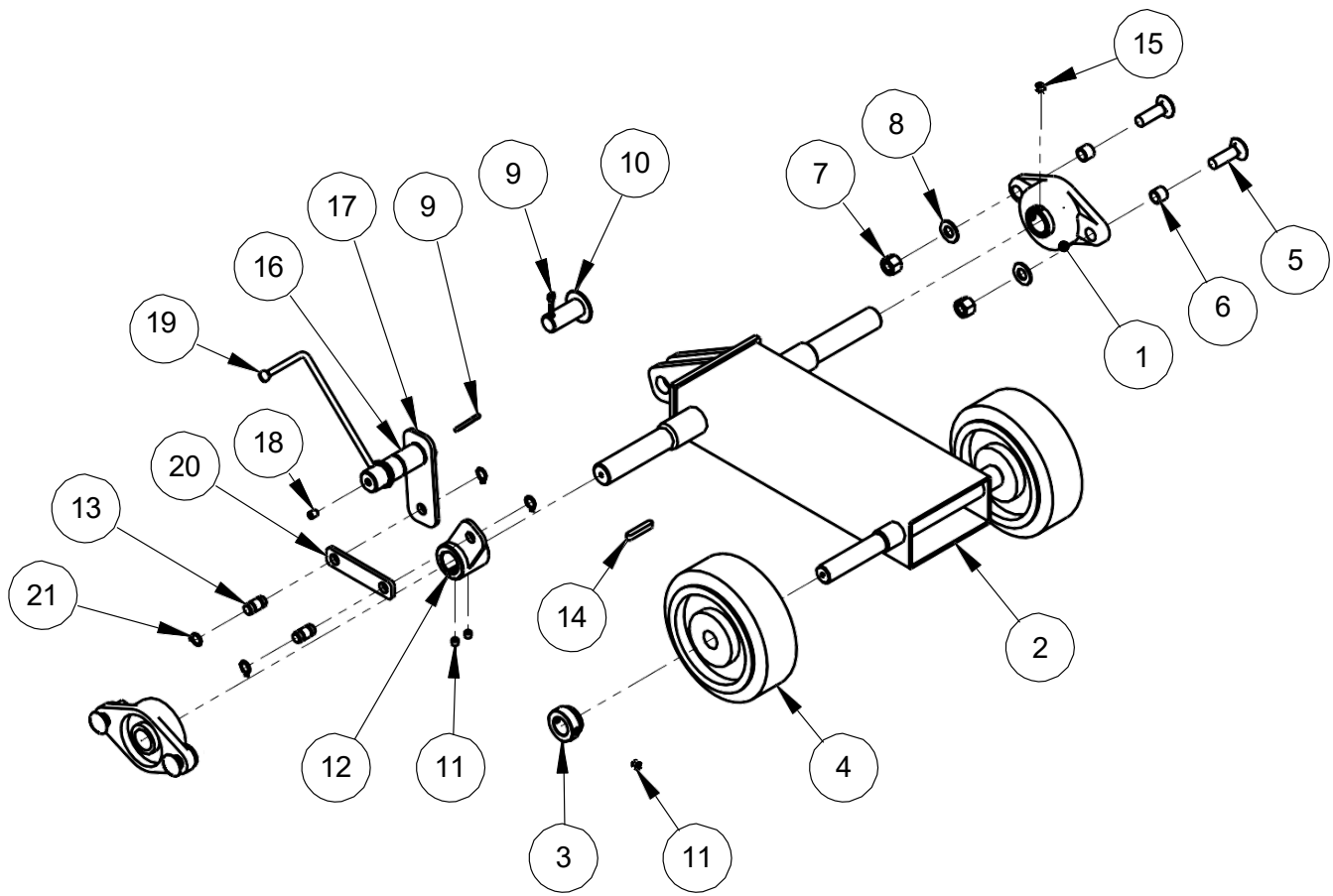
Table of Contents

<u>Description</u>	<u>PageNo.</u>
Front Axle Assembly.....	5
Common Parts	6 - 7
Screw Feed Assembly.....	8
Blade Shaft Assembly	9
Engine Assemblies.....	10 - 11
Water Tank Option	12 - 13
Blade Guard Assemblies	14 - 15
Warranty.....	18

Quick Reference Service: Filters & Belts

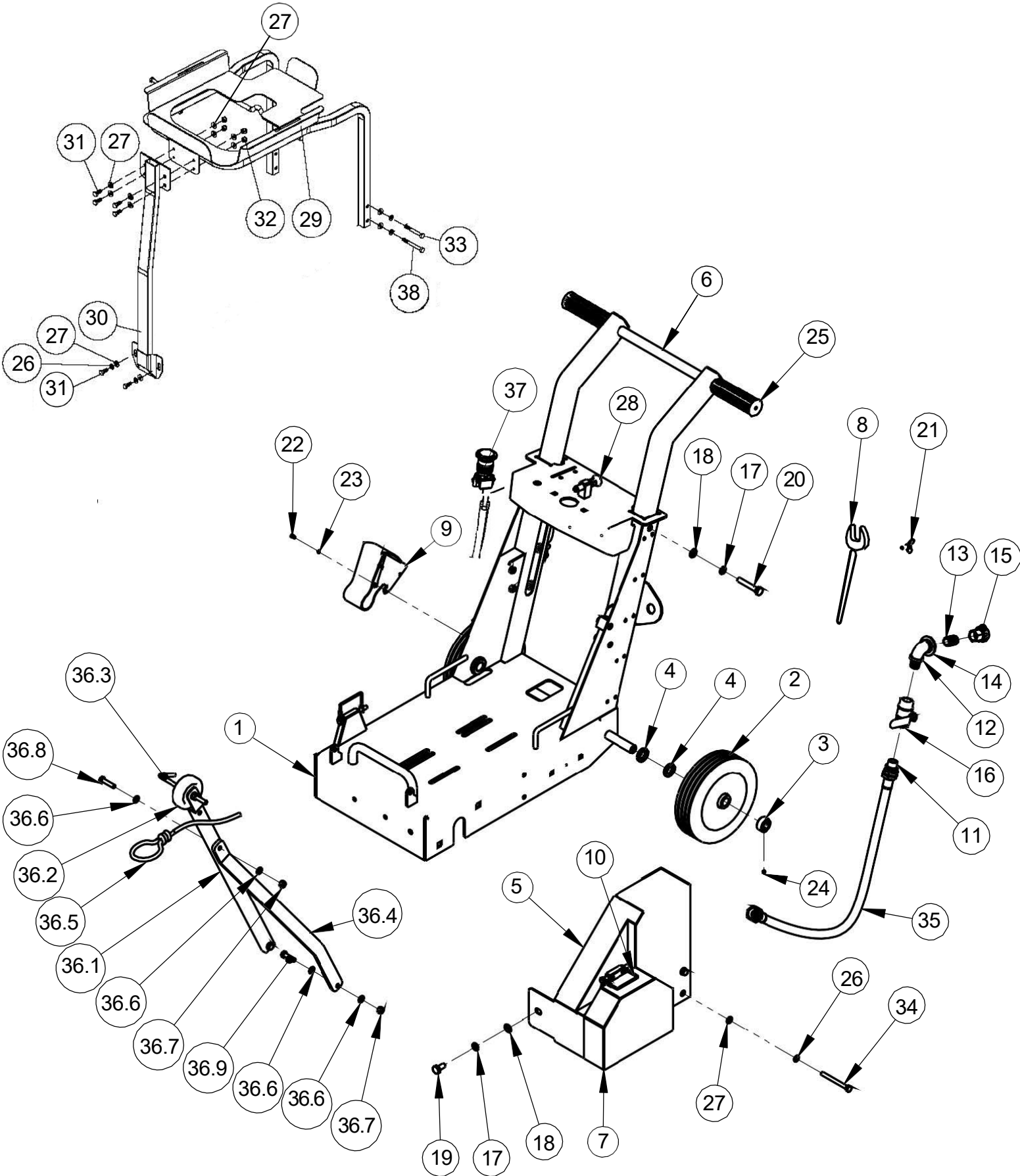
<u>DPPart No.</u>	<u>Description</u>	<u>Manufacturer'sPartNo.</u>
2702018	Air Filter for 8 & 11 HP Honda	(Honda #17210-ZE3-505)
2703421	Air Filter for 13.5 HP Briggs	(Briggs # 5911338)
2703422	Fuel Filter for 13.5 HP Briggs	(Briggs #797346)
2502000	Belt for all engines	(Gates #Micro-V 280J20)

CC1200XL Front Axle Assembly



ITEM	PART NO.	QTY.	DESCRIPTION
1	6043479	2	UCFL204-12 3/4" Flange caster bearing
2	6043559	1	Front Axle Weldment
3	6043444	2	D17 Set collar
4	6043443	2	Wheel, 5" Dia.
5	2900046	4	Carriage Bolt, 3/8-16 x 1-1/4"
6	6043478	4	D12 X D9.5 X 10L Bushing
7	2900018	4	Locknut, 3/8-16, Nylon
8	2900014	4	Flat Washer, 3/8" SAE
9	2900004	2	Cotter Pin, 1/8" x 1"
10	6043439	1	Clevis Pin, 16 x 39mm
11	2903245	6	Set Screw, Soc. Hd., M6-1.0 x 6mm
12	6043474	1	Carriage Reference Fixture
13	6043470	2	Pin
14	6043475	1	Key, 5 Sq. x 35mm
15	2900381	4	Set Screw, Soc. Hd., 1/4-28 x 1/4"
16	6043431	1	Axle Depth Indicator
17	6043471	1	Upper linkage for Depth Indicator
18	2900576	1	Set Screw, Soc. Hd., M6-1.0 x 8mm
19	6043563	1	Depth Pointer
20	6043472	1	Lower linkage for Depth Indicator
21	6043473	4	Retaining Ring, M10

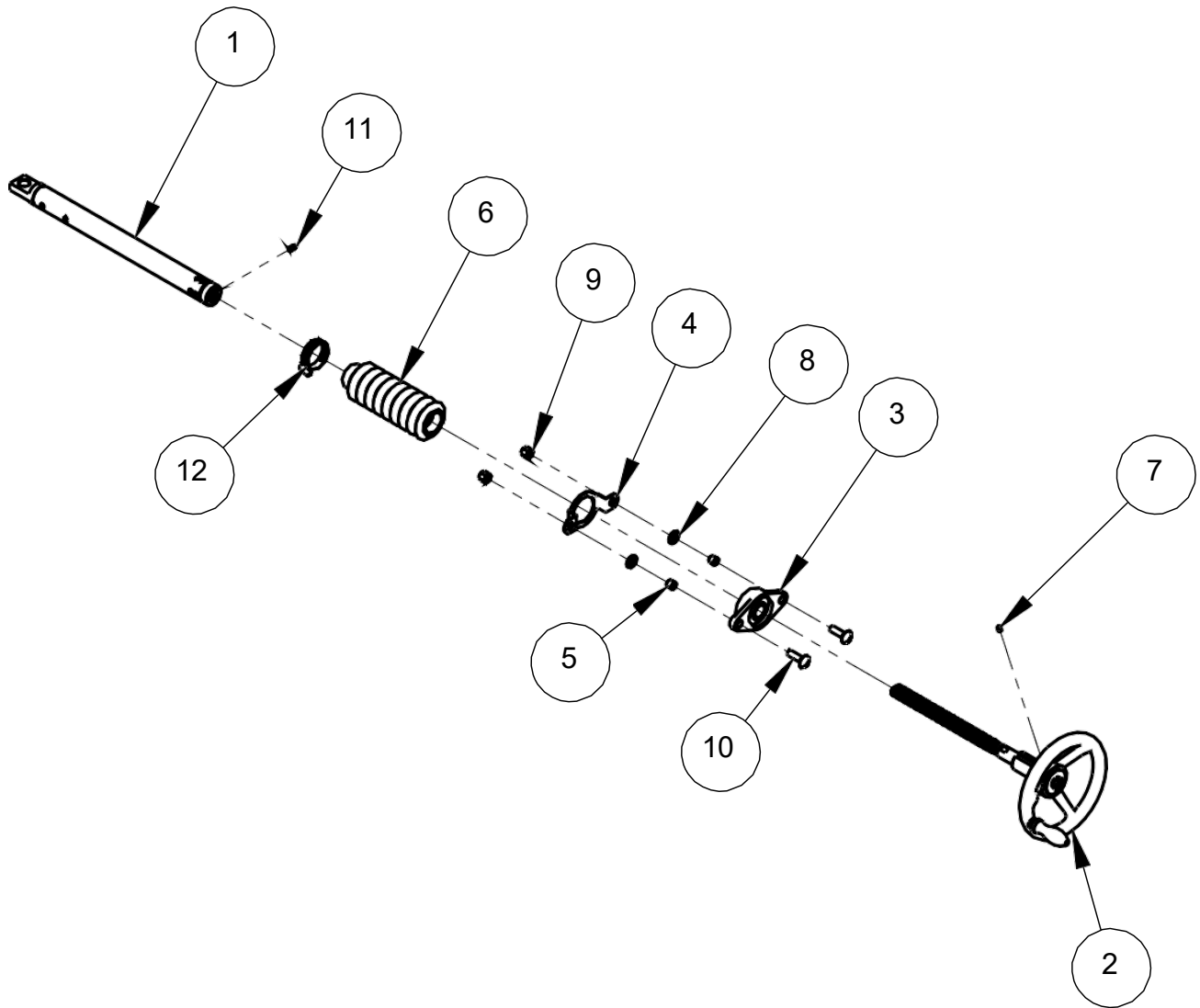
CC1200XL Common Parts



CC1200XL Common Parts

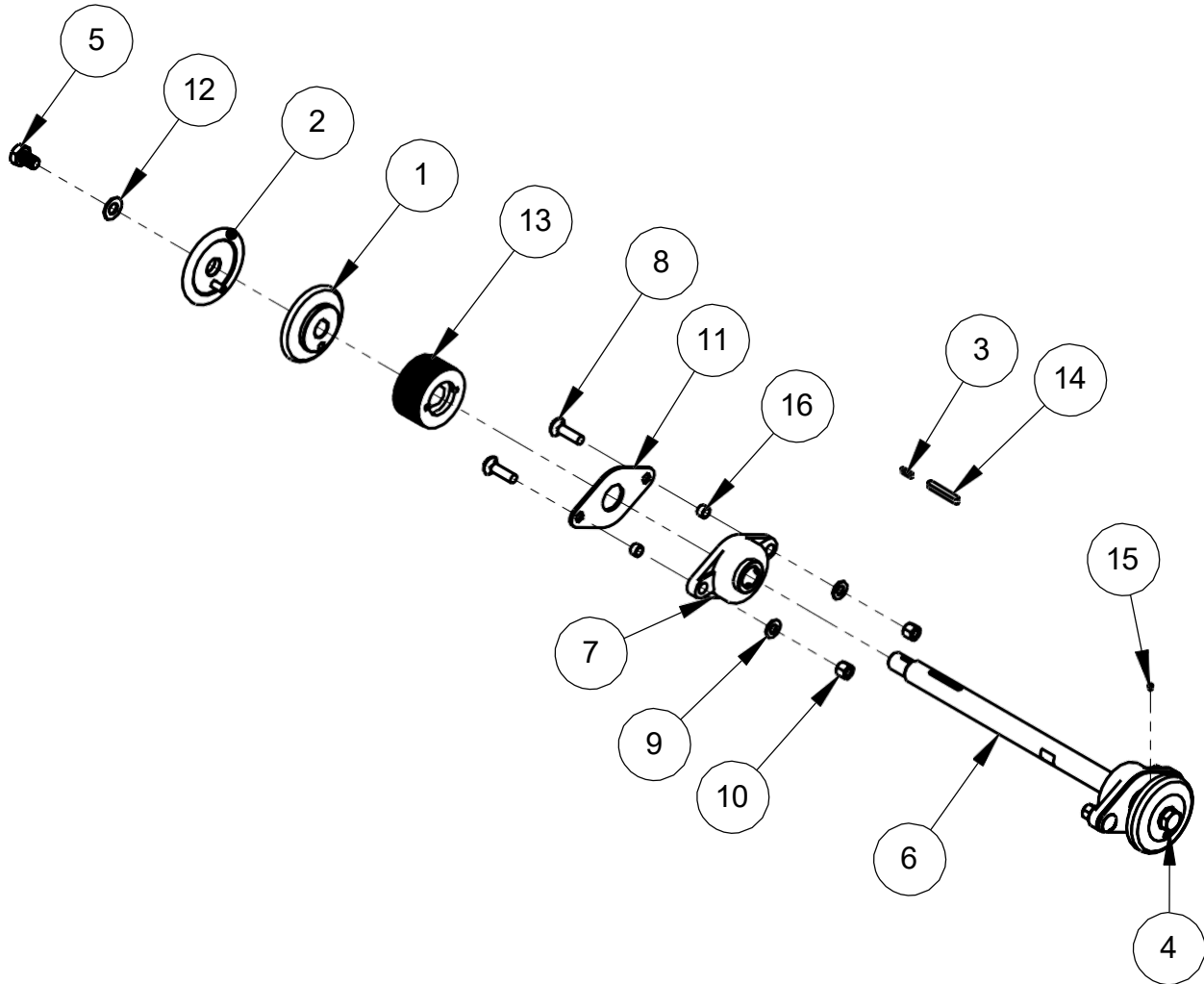
ITEM	PART NO.	QTY.	DESCRIPTION
1	6043560	1	Main frame weldment
2	2501439	2	8" (D203.2) D19.05 X 53W Wheel
3	6043467	2	D19.05 Set collar
4	6043468	4	D32 X D19 X 5L Spacer
5	6043438	1	Belt guard weldment
6	6043409	1	Push handle weldment
7	6043441	1	Guard weldment
8	2500256	2	Wrench, 1-1/16" Open End
9	6043562	1	Depth gauge indicator
10	2901959	2	Pin, Lock 5/16"
11	3200155	1	Fitting, 1/2" M. Pipe to 3/4" M. Garden
12	3200209	1	Pipe Elbow, 1/2" Female
13	3200008	1	Close Nipple, 1/2" NPT
14	2900425	2	Flat Washer, 7/8" SAE
15	3200022	1	Fitting, 1/2" F. Pipe to 3/4" F. Garden
16	6044344	1	Female 1/2"PTxMale 1/2"PT straight ball valve fitting
17	2900321	3	Lock Washer, M10 Split
18	2901356	3	Flat Washer, M10
19	2900314	1	Cap Screw, Hex Hd., M10-1.5 x 20mm
20	2900338	2	Cap Screw, Hex Hd., M10-1.5 x 60mm
21	2900307	2	Wing Screw, M6 x 16mm
22	2900761	4	Cap Screw, Soc. Hd., M4-0.7 x 8mm Low head
23	2900762	4	Lock Washer, M4 Split
24	2903245	4	Set Screw, Soc. Hd., M6-1.0 x 6mm
25	6044400	2	7/8" Handle Grip
26	2900763	9	Lock Washer, M8 Split
27	2901336	17	Flat Washer, M8
28	6043422	1	Quick release lock pin
29	6044405	1	Water Tank Platform Weldment
30	6043565	1	Support Column
31	2900329	6	Cap Screw, Hex Hd., M8-1.25 x 20mm
32	2900303	4	Lock Nut, M8-1.25 Nylon Insert
33	2901549	2	M8-1.25 x 65mm Hex Cap
34	2900635	2	Cap Screw, Hex Hd., M8-1.25 x 120mm
35	6011055	1	Water Hose Assembly 30"
36	6043566	1	Front pointer assembly
36.1	6043403	1	Pointer Weldment-Straight
36.2	2705796	1	75mm wheel
36.3	2705797	1	M10 Pointer Rod
36.4	6043428	1	30 X 15 Pointer tube brace
36.5	6043404	1	Pointer Rope
36.6	2901336	10	Flat Washer, M8
36.7	2900303	5	Lock Nut, M8-1.25 Nylon Insert
36.8	2900760	2	Cap Screw, Hex Hd., M8-1.25 x 35mm
36.9	2900313	1	Cap Screw, Hex Hd., M8-1.25 x 30mm
37	6044401	1	Emergency Stop Button 16mm Ø
	6044404	1	E-Stop Wire Harness
38	2903252	2	Cap Screw, Hex Hd., M8 x 75mm

CC1200XL Screw Feed Assembly



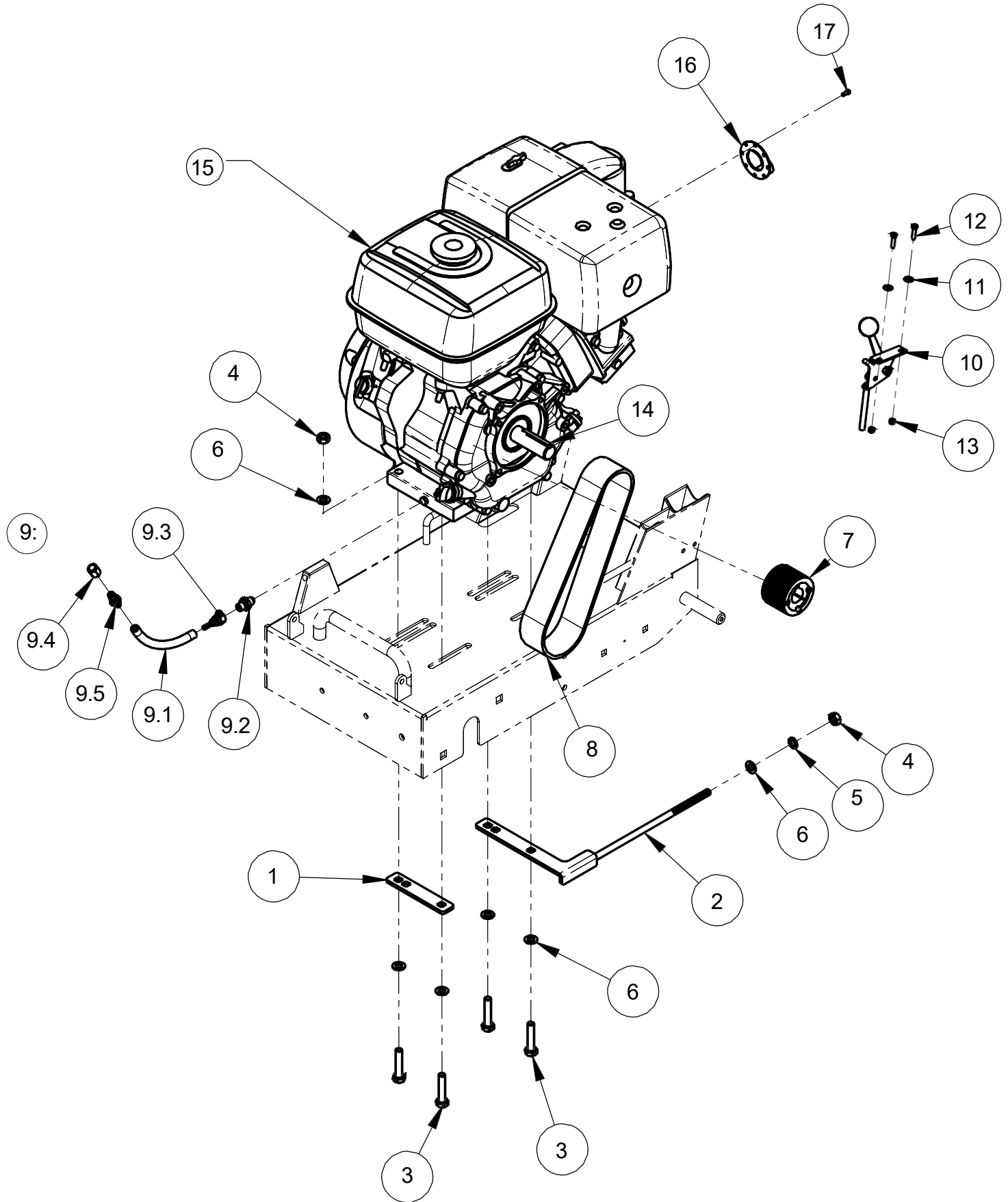
ITEM	PART NO.	QTY.	DESCRIPTION
1	6043484	1	Adjustment shaft
2	6043476	1	Depth control crank
3	6043479	1	UCFL204-12 3/4" Flange caster bearing
4	6043480	1	Bellows mount washer
5	6043478	2	D12 d9.5 X 10L Bushing
6	6043481	1	Bellows, 25P;Ø40*Ø64*450L(MAX)
7	2900576	1	Set Screw, Soc. Hd., M6-1.0 x 8mm
8	2900014	2	Flat Washer, 3/8" SAE
9	2900018	2	Locknut, 3/8-16, Nylon
10	2900046	2	Carriage Bolt, 3/8-16 x 1-1/4"
11	2900614	1	Grease Fitting, 1/4-28 Str. Thrd
12	3202142	1	Hose Clamp #24

CC1200XL Blade Shaft Assembly



ITEM	PART NO.	QTY.	DESCRIPTION
1	6043457	2	Inner flange
2	6043458	2	Outer flange w/pin assembly
3	6043448	2	Key, 5 Sq. x 20mm
4	2903210	1	Cap Screw, Hex Hd., 5/8-11 x 1" LH
5	2903209	1	Cap Screw, Hex Hd., 5/8-11 x 1"
6	6043446	1	Blade shaft
7	2504038	2	Flange Bl. Bearing UCFL207-20
8	2900764	4	Carriage Bolt, 1/2-13 x 1-3/4"
9	2900058	4	Flat Washer, 1/2" SAE
10	2900026	4	Lock Nut, 1/2-13 Nylon
11	6043454	2	Bearing spacer
12	2900002	2	Flat Washer, 5/8" SAE
13	6043456	1	1-1/4" (31.75mm) Bore micro-V pulley (D90mm)
14	6043447	1	Key, 8 x 7 x 56mm
15	2900576	2	Set Screw, Soc. Hd., M6-1.0 x 8mm
16	6043453	4	D16 d12.7 X 10L Bushing

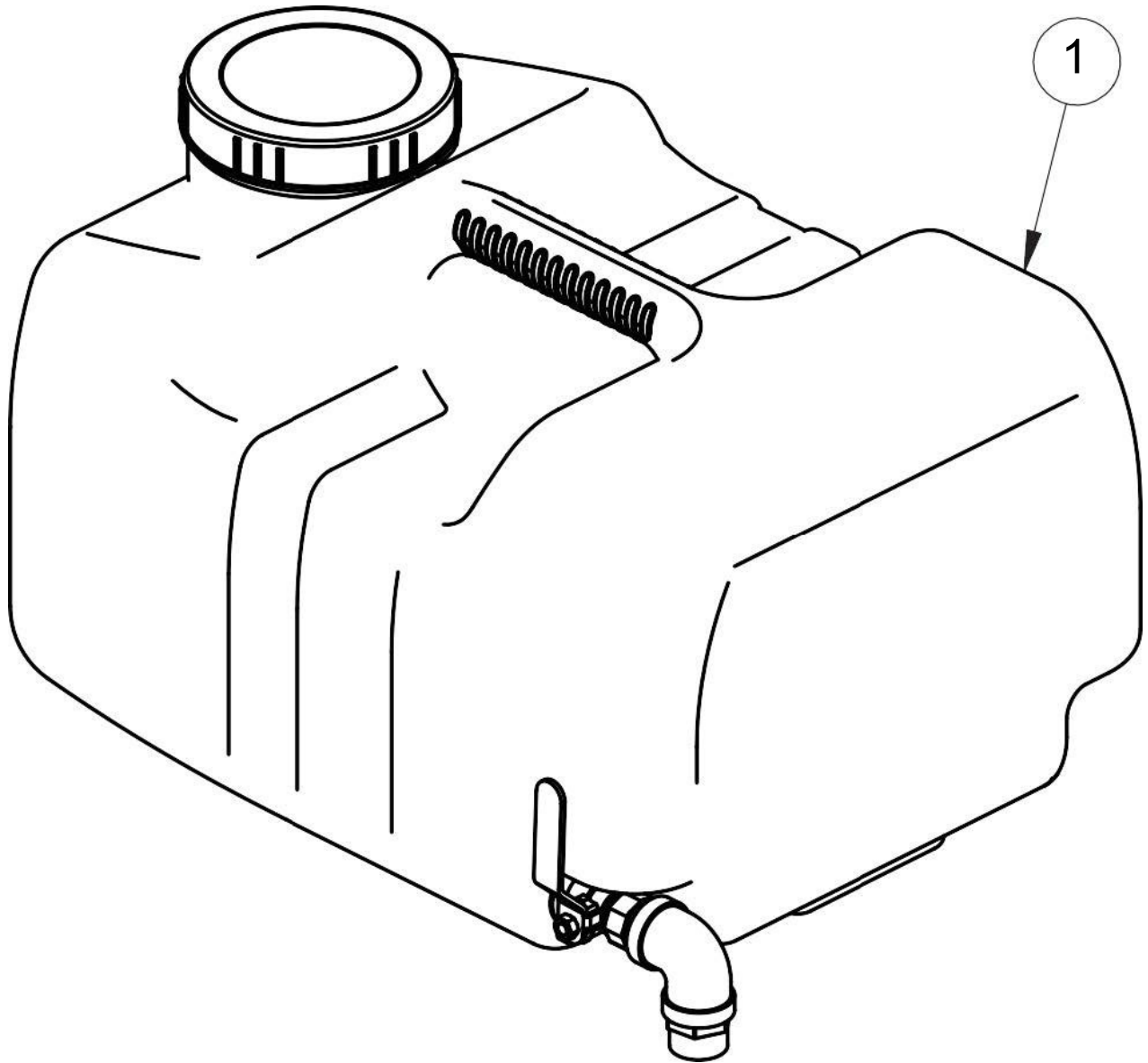
CC1200XL Engine Assembly



CC1200XL Engine Assembly

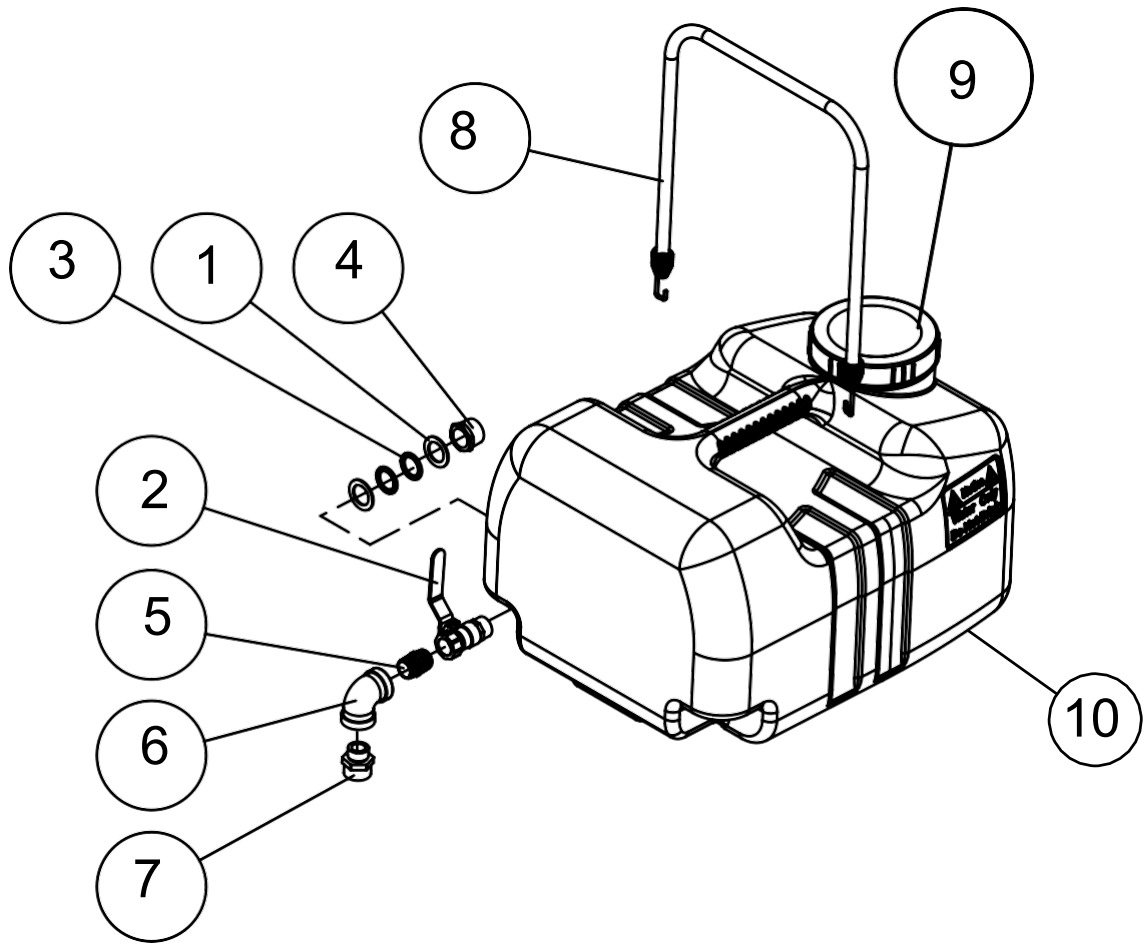
ITEM	PART NO.	QTY.	DESCRIPTION
1	6043435	1	Belt Adjustment Bracket
2	6043561	1	Motor Tensioning Plate
3	2900318	4	Cap Screw, Hex Hd., M10-1.5 x 50mm
4	2900325	5	Hex Nut, M10-1.5
5	2900321	1	LockWasher, M10 Split
6	2901356	9	Flat Washer, M10
7	6043417	1	1" (25.4mm) Bore micro-V pulley (D65mm)
8	2502000	1	Micro-V Belt, 280J20
9	6048029	1	Oil Drain Assembly
9.1	6048289	1	1/4" x 6.00" Oil Drain Hose
9.2	3200539	1	Adapter, M12x1.5 Male to 5/16" M. JIC
9.3	3200540	1	Fitting, 5/16" F. JIC to 1/4" Pushlock
9.4	3200006	1	Cap, 1/4" JIC
9.5	3200040	1	Fitting, 1/4" M. JIC to 1/4" Push Lock
10	2502505	1	Throttle Control, 20"
11	2900016	2	Flat Washer, #10 USS
12	2900309	2	Cap Screw, Hex Hd., M5-0.8 x 20mm
13	2900301	2	Lock Nut, M5-0.8 Nylon Insert
14	6048134	1	Key, 1/4" Sq. x 2-1/4"
15	2600160	1	Engine, 8HP Honda GX270
	2600116	1	Engine, 11HP Honda GX390
	2600689	1	Engine, 420cc Briggs
	2601711	1	Engine, 9HP Lifan
	2601707	1	Engine, 15HP Lifan
16	2700554	1	Muffler Deflector, Honda & Lifan
	2703419	1	Muffler Deflector, Briggs
17	2900206	8	Screw, Self Tapping, #8-32 x 3/8", Honda & Lifan
	2703420	3	Screw for Muffler Deflector, Briggs

Water Tank



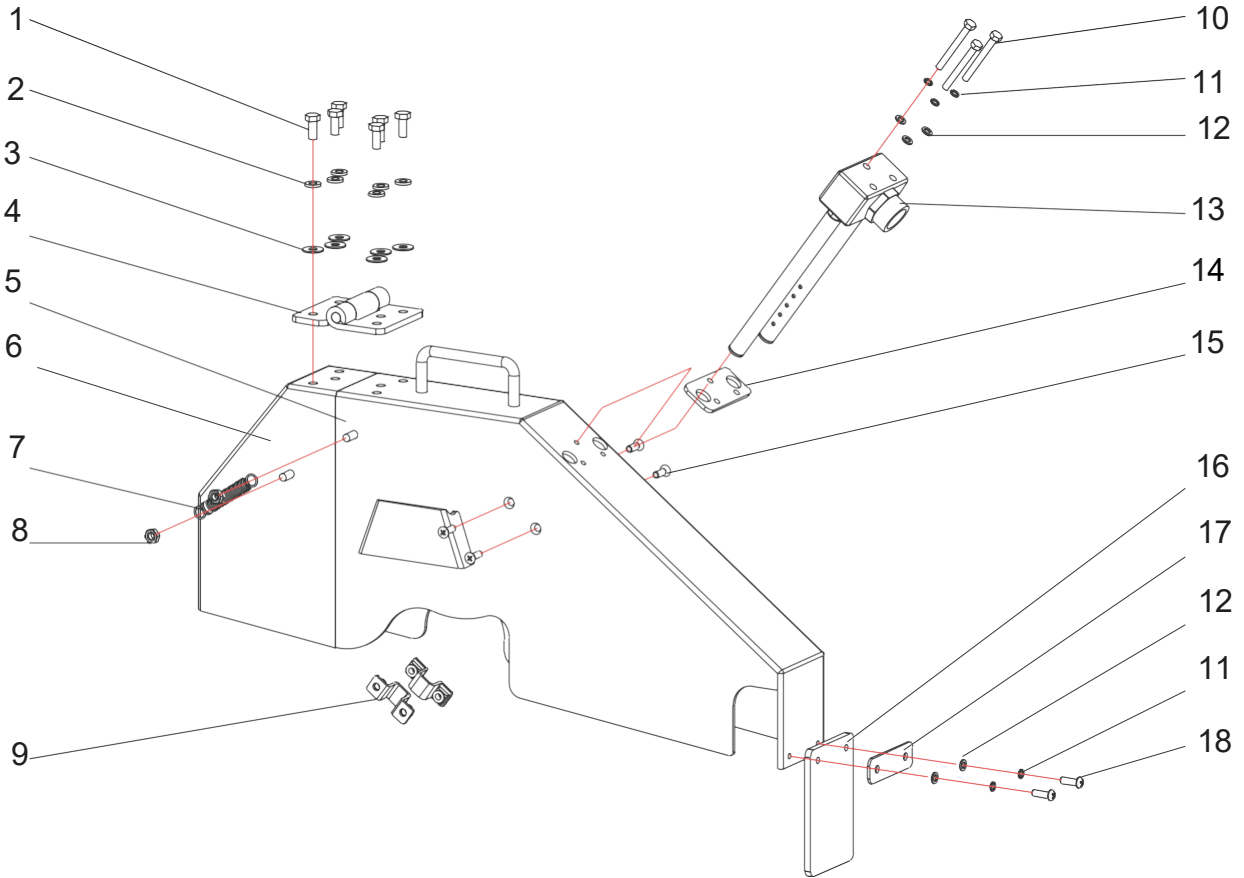
ITEM	PART NO.	QTY.	DESCRIPTION
1	6044403	1	Water Tank, Complete
			Assembly on Page 13

Water Tank Assembly

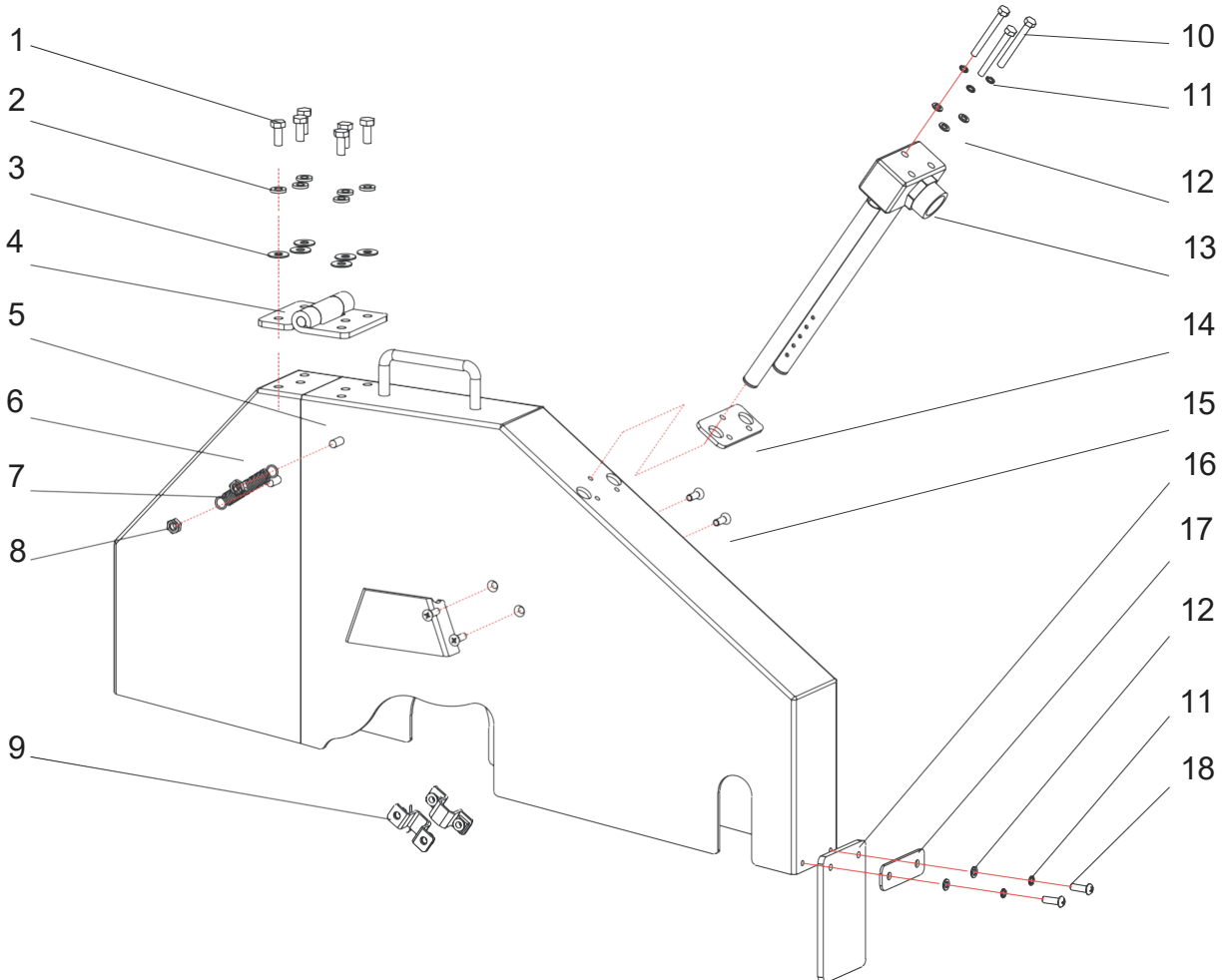


ITEM	PART NO.	QTY.	DESCRIPTION
1	6044353	2	Washer D32 x D21.3 x ID 1.5T
2	6044344	1	Female 1/2" PT X male 1/2" PT straight ball valve fitting
3	6044355	2	PVC Spacer ID20mm x OD28mm
4	6044356	1	Bushing
5	6044402	1	Male 1/2" PT x Male 1/2" PT Straight Fitting
6	3200209	1	PipeElbow, 1/2" Female
7	3200155	1	Fitting, 1/2" Male Pipe to 3/4" Male Garden Hose
8	6044348	1	Tiedown, Elastic
9	2505408	1	Tank Cap
10	6044346	1	Water Tank, 7-1/2 Gallon

14" Blade Guard Assembly# 6016001



18" Blade Guard Assembly#6016000



Blade Guard Assembly Parts

ITEM	PART NO.	QTY.	DESCRIPTION
1	2900341	6	Cap screw hex Hd. M6x16
2	2900765	6	Spring Washer, M6
3	2900009	6	Washer, M6
4	6043515	1	Hinge
5	6043526	1	14" Blade Guard, Back
5	6043498	1	18" Blade Guard, Back
6	6043516	1	14" Blade Guard, Front
6	6043499	1	18" Blade Guard, Front
7	2500066	1	Spring
8	2900302	2	Lock Nut Nylon, M6
9	6043519	2	Water Tube Clamp
10	2900766	3	Cap screw, M5*45L
11	2900767	5	Spring Washer, M5
12	2900926	5	Washer, M5
13	6043523	1	14" Manifold
13	6043506	1	18" Manifold
14	2500829	1	Manifold Gasket
15	2900768	4	Screw, M5*15L
16	6043527	1	Splash Flap
17	2909309	1	Plate
18	2900769	2	Screw, M5*15L

Additional Parts Not Shown

ITEM	PART NO.		DESCRIPTION
1	1800001		S.M.I. Warning Label
2	1800791		Operating Label
3	6043482		Depth Indicator Label

EQUIPMENT AND PARTS WARRANTY

Diamond Products warrants all equipment manufactured by it against defects in workmanship or materials for a period of one (1) year from the date of shipment to Customer.

The responsibility of Diamond Products under this Warranty is limited to replacement or repair of defective parts at Diamond Products' Elyria, Ohio factory, or at a point designated by it, of such parts as shall appear to us upon inspection at such parts, to have been defective in material or workmanship, with expense for transportation and labor borne by Customer.

In no event shall Diamond Products be liable for consequential or incidental damages arising out of the failure of any Product to operate properly.

Integral units such as engines, electric motors, batteries, transmissions, etc., are excluded from this Warranty and are subject to the prime manufacturer's warranty.

THIS WARRANTY IS IN LIEU OF ALL OTHER WARRANTIES, EXPRESSED OR IMPLIED, AND ALL SUCH OTHER WARRANTIES ARE HEREBY DISCLAIMED.



333 Prospect Street, Elyria, Ohio 44035
(440) 323-4616 • (800) 321-5336 • Fax (440) 323-8689

www.diamondproducts.com