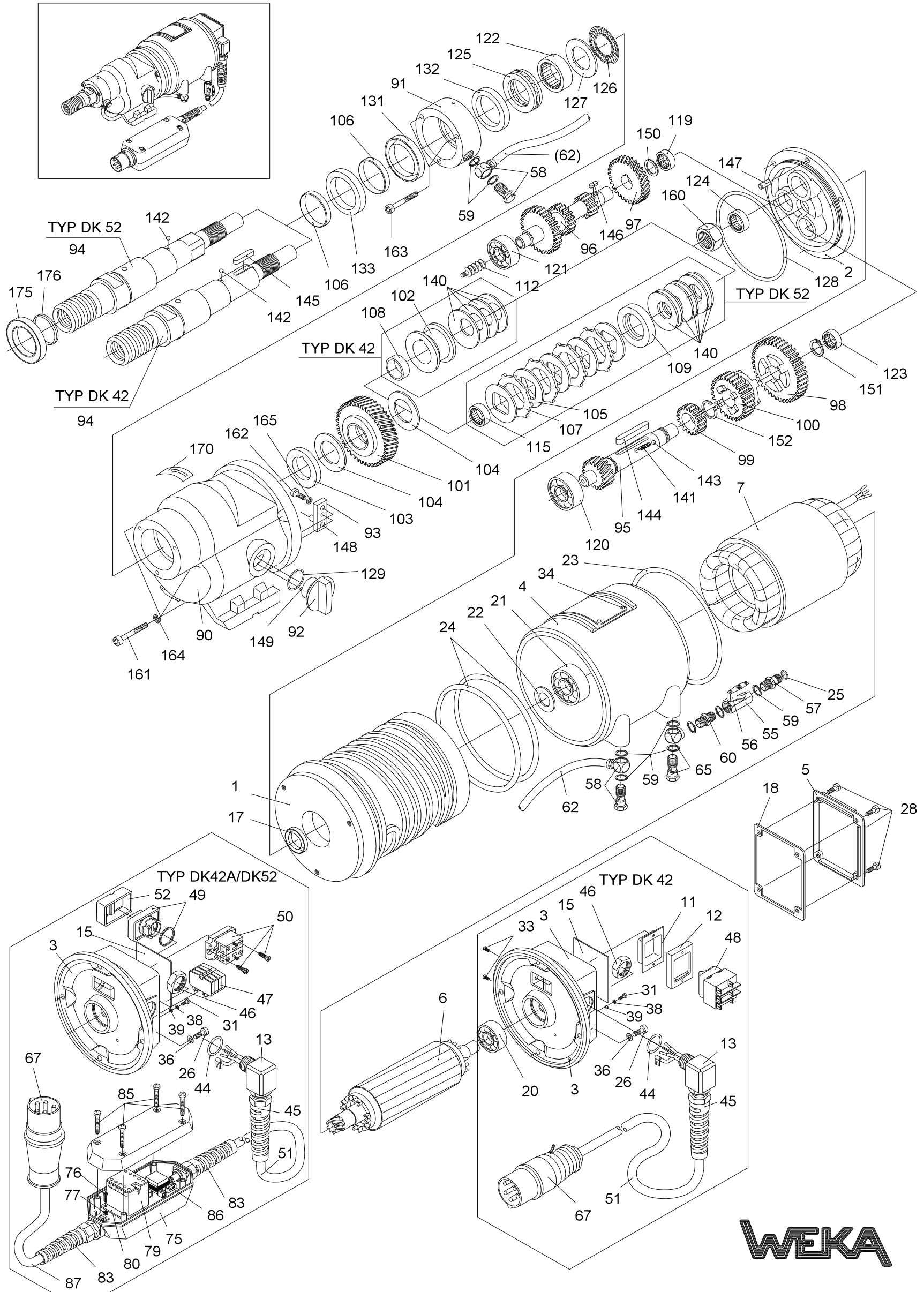


DIAMANT-KERNBOHRMASCHINE TYP DK 42 (A),(L,S), DK 52



WEKA

SPARE PARTS LIST TYPE DK42 (L/S) DK42A (L/S) - Motor

1/4/02

Fig	Req.	Description	Weka Part	DP Part	Fig	Req.	Description	Weka Part	DP Part
1	1	Motorcase	DK40101	2701033	90	1	Gear Box	DK20201	2700870
2	1	Intermediate Flange	DK40102	2701034	91	1	Water Supply Bush	DK20202	2700871
3	1	Motor Top Hood	DK42 DK40103	2701035	92	1	Gear Change Grip	DK20203	2700872
3	1	Motor Top Hood	DK42A DK40103A	2701377	93	1	Gear Change Lever	DK20205	2700695
4	1	Case Sleeve	DK40104	2701036	94	1	Drilling Spindle	DK20206	2700874
5	1	Terminal Case Cover	DK20106	2700834	95	1	Gear Change Shaft	DK20207	2700875
6	1	Rotor with Bearings	DK40108	2701037	1	1	Gear Change Shaft Type L	DK20207L	2701530
7	1	Stator 460V	DK42 DK40109	2701038	1	1	Gear Change Shaft Type S	DK20207S	2701082
1	1	Stator 460V	DK42A DK40109A/46	2701375	121	1	Pinion Shaft	DK20208	2700876
1	1	Stator 230V	DK42 DK40109/23	2701039	97	1	Spur Wheel	DK42209	2701055
1	1	Stator 230V	DK42A DK40109A/23	2701376	98	1	Gear Wheel 1	DK20212	2700878
11	1	Switch Guard Cap	DK42 DK40130	2701081	99	1	Gear Wheel 3	DK20213	2700879
12	1	Switch Clamping Frame	DK42 DK40135	2701070	100	1	Slide Gear Wheel	DK20214	2700880
13	1	Cord Angle w/O-Ring	DK40140	2701071	101	1	Spindle Wheel	DK40215	2701056
15	1	Terminal Case Insulation	DK40120	2701040	1	1	Spindle Wheel Type L	DK40215L	2701576
17	1	Rotary Shaft Seal 20x32x7	5020327	2701041	1	1	Spindle Wheel Type S	DK40215S	2701078
18	1	Terminal Case Sealing	DK40122	2701080	102	1	Pressure Shell	DK20216	2700882
20	1	Ball Bearing 6202 ZZ	6062022	2701043	103	1	Supporting Disc (All Models)	DK40217	2701083
21	1	Ball Bearing 6004 ZZ	6060042	2701044	104	2	Brake Disc	DK20218	2700884
22	1	Compensation Washer	2641301	2701045	106	2	Shaft Wearing Sleeve	DK20210	2701064
23	1	O-Ring RDR135x2	4513502	2701046	108	1	Bearing Socket	DK40220	2701079
24	2	O-Ring RDR127x4	4512704	2701047	119	1	Needle Bearing	6349000	2701370
25	1	O-Ring RDR11x2.5	4511025	2700712	120	1	Ball Bearing 6302	6063020	2700791
26	4	Hex. Soc. Head Screw M6x20	0106020	2701049	96	1	Ball Bearing 6201	6062010	2700792
28	4	Fill. Head Screw (DK42A)M4x40	0204040	2700854	122	1	Needle Bearing	6330200	2700793
28	4	Fill. Head Screw (DK42) M4x12	0204012	2701388	123	1	Needle Bush	6314120	2700794
31	1	Slot. Pan Head Screw M4x6	0304006	2700674	124	1	Needle Bush	6320160	2700795
33	2	Counters. Head Screw 3.9x16	DK42 0539016	2701072	125	1	Thrust Ball Bearing	6551106	2700796
34	4	Round Head Groov. Pin 2.3x4	2223004	2700678	126	1	Thrust Needle Bearing	6530470	2700797
36	4	Sealing Washer 6	1806001	2700826	127	1	Thrust Bearing Washer	6530471	2700798
38	1	Curved Spring Washer A4	1804137	2700680	128	1	O-Ring RDR102x3	5510203	2700799
39	1	Medium Washer 4.3	1804433	2700681	129	1	O-Ring RDR20x3	5520003	2700711
44	1	O-Ring 18x2	4518002	2701568	131	1	Rotary Shaft Seal 40x52x7	5040527	2700802
45	1	Cord Gland 230V/460V	DK42 8804135	2701451	132	1	Rotary Shaft Seal 38x50x7	5038507	2700803
1	1	Cord Gland 230V/460V	DK42A 8802135	2701073	133	1	Rotary Shaft Seal 40x52x7S	5040521	2700804
46	1	Hexagon Nut Pg 13.5	8806135	2701074	140	4	Disk Spring	4045224	2700809
47	1	Terminal DK42A	8002503	2701378	141	1	Pressure Spring	4305235	2700810
48	1	Motor Switch 460V	DK42 8039007	2701204	142	1	Parallel Key A6x6x30	3006030	2700814
1	1	Motor Switch 230V	DK42 8039016	2701076	143	2	Ball 4	2204000	2700720
49	1	Double Press Key	DK42A 8039204	2701379	144	1	Parallel Key A6x6x45	3006045	2700813
50	1	Switch Element	DK42A 8039206	2701428	145	1	Ball 5	2205000	2700811
51	1	Cord AWG 16/4	DK42 8740154	2701042	146	1	Parallel Key A4x4x10	3004010	2700815
1	1	Cord AWG 16/7 230V/460	DK42A 8740157	2701381	147	1	Parallel Pin 6m6x10	2506010	2700816
52	1	Key Diaphragm	DK42A 8039214	2701400	148	1	Parallel Pin 5m6x16	2505015	2701065
55	1	Ball Valve	7014001	2700715	149	1	Parallel Pin 3m6x16	2503016	2700723
56	1	Grip for Ball Valve	7014005	2700925	150	1	Shim Ring PS14x20x1	1914201	2700819
57	1	Quick Connect Nipple	DK20225	2700706	151	1	Retaining Ring 16x1	3516001	2700820
58	2	Angle Screwing	7015005	2701077	152	1	Retaining Ring SW20	3620000	2700821
59	7	Sealing Ring G 1/4"	7014003	2700717	160	1	Hexagon Nut M22x1.5	1022015	2700822
60	1	Double Nipple G 1/4"	7014002	2700716	161	3	Hex. Soc. Head Screw M6x35	0106035	2700852
62	1	Flexible Hose	7068325	2701060	162	1	Hex. Soc. Head Screw M5x16	0105016	2700733
65	1	Angle Screwing G 1/4"	7015010	2701094	163	3	Hex. Soc. Head Screw M5x45	0105045	2700825
					164	3	Locking Washer SM6	1806000	2700826
					165	1	Locking Washer SM5	1805000	2700735
					1	1	Gear Oil 80-90W 450ml(13.80 oz)	9040001	2701067
					1	1	Ball Valve Assembly	7014000	2700806

Electrical Parts for Switch Case DK42A/B

75	1	Plugging Case Compl. w/o contactor230/460V	8016236	2701401					
79	1	Contactor(DK42B) 460V	8039400	2701578	83	1	Cord Gland 230/460V 14mm	8802135	2701073
	1	Contactor(DK42B) 230V	8039230	2701403	1	1	Cord Gland 230/460V 12mm	8804135	2701451
	1	Contactor(DK42A) 230V/460V	8039230	2701403	n/a	1	Cord Piece 230V/460V 7G1.5	8741157	
80	1	Print Plate w/o Contactor 460V	DK40520/46	2701579	85	2	Hexagon Nut 230/460V Pg13.5	8806135	2701074
	1	Print Plate w/o Contactor 230V	DK40520.23	2701580	87	4	Tapping Screw 4.8x45	0548045	2701405
81	1	Base Plate(DK42B) 230/460V	DK40145	2701404	90	1	Fuse 20mA	8052020	2701581
82	1	Front Disk 60Hz only 230/460V	8016231	2701429	1	1	Overload Relay(DK42B) 400/460V/10.5A	8039105	2701582
					1	1	Overload Relay(DK42B) 230V/14A	8039014	2701456
					1	1	Up-Grade switch kit 230V (for DK42)	DK40623B	2701355
					1	1	Up-Grade switch kit 460V (for DK42)	DK40646B	2701583

Type	Rpm(low/med/high)
DK42	200/420/630
DK42L	130/280/430
DK42S	290/610/910

DIAMANT-KERNBOHRMASCHINE TYP DK 42 (A),(L,S), DK 52

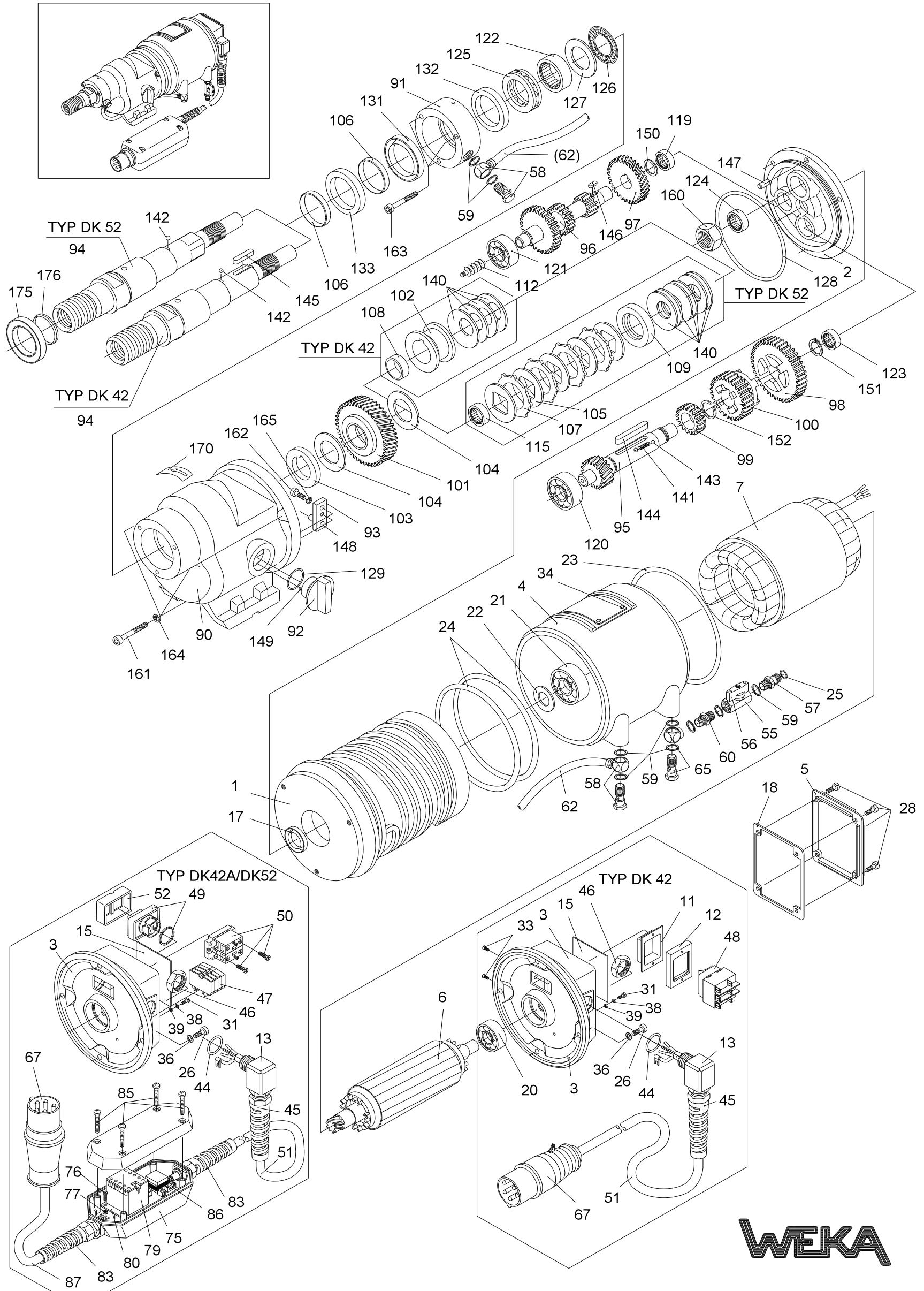


Fig	Req.	Description	Weka Part	DP Part	Fig	Req.	Description	Weka Part	DP Part
1	1	Motorcase	DK50101	2702046	90	1	Gear Box	DK30201	2701924
2	1	Intermediate Flange	DK50102	2702041	91	1	Water Supply Bush	DK20202	2700871
3	1	Motor Top Hood DK52/DK42A	DK40103A	2701377	92	1	Gear Change Grip	DK20203	2700872
4	1	Case Sleeve	DK50104	2702047	93	1	Gear Change Lever	DK30205	2701925
5	1	Terminal Case Cover	DK20106	2700834	94	1	Drilling Spindle	DK30206	2701926
6	1	Rotor with Bearings	DK50108	2702048	95	1	Gear Change Shaft	DK50207	2702052
7	1	Stator 460V DK52	DK50109/46	2702049			Gear Change Shaft S	DK50207S	2701082
	1	Stator 230V DK52	DK50109/23	2702050	96	1	Pinion Shaft	DK30208	2701928
11	1	Switch Guard Cap DK42	DK40130	2701081	97	1	Spur Wheel	DK52209	2702053
12	1	Switch Clamping Frame DK42	DK40135	2701070	98	1	Gear Wheel 1	DK30212	2701930
13	1	Cord Angle w/O-Ring	DK40140	2701071	99	1	Gear Wheel 3	DK30213	2701931
15	1	Terminal Case Insulation	DK40120	2701040	100	1	Slide Gear Wheel	DK30214	2701932
17	1	Rotary Shaft Seal 20x32x7	5020327	2701041	101	1	Spindle Wheel	DK50215	2702145
18	1	Terminal Case Sealing	DK40122	2701080			Spindle Wheel S	DK50215S	2702146
20	1	Ball Bearing 6202Z	6062022	2701043	102	1	Pressure Shell	DK20216	2700882
21	1	Ball Bearing 6004Z	6060042	2701044	103	1	Supporting Disc (All Models)	DK40217	2701083
22	1	Compensation Washer	2641301	2701045	104	2	Brake Disk A	DK30218	2701934
23	1	O-Ring RDR135x2	4513502	2701046	105	5	Pressure Disk	DK30219	2701935
24	2	O-Ring RDR127x4	4512704	2701047	106	2	Protective Sleeve	DK20210	2701064
25	1	O-Ring RDR11x2.5	4511025	2700712	107	4	Brake Disk B	DK30221	2701941
26	4	Hex. Soc. Head Scre M6x20	0106020	2701049	109	1	Pressure Ring	DK50216	2702054
28	4	Fill. Head Screw (DK52)M4x12	0204012	2701388	112	1	Feed Worm	DK30230	2701937
31	1	Slot. Pan Head Screw M4x6	0304006	2700674	115	1	Needle Cage	6326130	2701938
33	2	Counters. Head Screw 3.9x16 DK42	0539016	2701072	119	1	Needle Bearing	6349000	2701370
34	4	Round Head Groov. Pin 2.3x4	2223004	2700678	120	1	Ball Bearing 6302	6063020	2700791
36	4	Sealing Washer 6	1806001	2700826	121	1	Ball Bearing 6201	6062010	2700792
38	1	Curved Spring Washer A4	1804137	2700680	122	1	Needle Bearing	6330200	2700793
39	1	Medium Washer 4.3	1804433	2700681	123	1	Needle Bush	6314120	2700794
44	1	O-Ring 18x2	4518002	2701568	124	1	Needle Bush	6320160	2700795
45	1	Cord Gland 230V DK42A/DK52	8802135	2701073	125	1	Thrust Ball Bearing	6551106	2700796
	1	Cord Gland 460V DK42A/DK52	8804135	2701451	126	1	Thrust Needle Cage	6530470	2700797
46	1	Hexagon Nut Pg 13.5	8806135	2701074	127	1	Thrust Bearing Washer	6530471	2700798
47	1	Terminal DK42A/DK52	8002503	2701378	128	1	O-Ring RDR102x3	5510203	2700799
49	1	Double Press Key DK42A/DK52	8039204	2701379	129	1	O-Ring RDR20x3	5520003	2700711
50	1	Switch Element DK42A/DK52	8039206	2701428	131	1	Rotary Shaft Seal 40x52x7	5040527	2700802
51	1	Cord AWG 16/7 230V DK42A/DK52	8740157	2701381	132	1	Rotary Shaft Seal 38x50x7	5038507	2700803
	1	Cord AWG 18/7 460V DK42A/DK52	8740107	2702051	133	1	Rotary Shaft Seal 40x52x7S	5040521	2700804
52	1	Key Diaphragm DK42A/DK52	8039214	2701400	140	6	Disk Spring	4045224	2700809
55	1	Ball Valve	7014001	2700715	141	1	Pressure Spring	4305235	2700810
56	1	Grip for Ball Valve	7014005	2700925	142	1	Ball 5	2205000	2700811
57	1	Quick Connect Nipple	DK20225	2700706	143	2	Ball 4	2204000	2700720
58	2	Angle Screwing	7015005	2701077	144	1	Parallel Key A6x6x45	3006045	2700813
59	7	Sealing Ring G 1/4"	7014003	2700717	146	1	Parallel Key A4x4x10	3004010	2700815
60	1	Double Nipple G 1/4"	7014002	2700716	147	1	Parallel Pin 6m6x10	2506010	2700816
62	1	Flexible Hose	7068325	2701060	148	1	Parallel Pin 5m6x16	2505015	2701065
65	1	Angle Screwing G 1/4"	7015010	2701094	149	1	Parallel Pin 3m6x16	2503016	2700723
					150	1	Shim Ring PS14x20x1	1914201	2700819
					151	1	Retaining Ring 16x1	3516001	2700820
					152	1	Retaining Ring SW20	3620000	2700821
					160	1	Hexagon Nut M22x1.5	1022015	2700822
					161	3	Hex. Soc. Head Screw M6x35	0106035	2700852
					162	1	Hex. Soc. Head Screw M5x12	0105012	2700733
					163	3	Hex. Soc. Head Screw M5x45	0105045	2700825
					164	3	Locking Washer SM6	1806000	2700826
					165	1	Locking Washer SM5	1805000	2700735
					1		Gear Oil 80-90W 450ml(13.80oz)	9040001	2701067
					1		Ball Valve Assembly	7014000	2700806

Electrical Parts for Switch Case DK52

75	1	Plugging Case Compl. w/o contactor230/460V (Old case=White : New case= Black)	8020236	2701401
79	1	Contactor DK52 230V	8052230	2702055
	1	Contactor DK52 460V	8039230	2701403
80	1	Print Plate DK52 230V	DK50520	2702056
	1	Print Plate DK52 460V	DK40520/46	2701579
81	1	Rubber Base Plate(DK52) 230V	DK50145	2702057
82	1	Cord Gland 230V/460V 12mm	8804135	2701451
83	1	Cord Gland 230V 14mm	8802135	2701073
	1	Cord Gland 460V 12mm	8804135	2701451
n/a	1	Cord Piece 230V/460V 7G1.5	8741157	
85	1	Not Required on DK52	n/a	n/a
87	4	Tapping Screw 4.8x45	0548045	2701405
88	1	Fuse 20mA	8052020	2701581

Note: Torque Nut For clutch to 60-65 NM