

DIAMOND

PRODUCTS

Core Drill

PARTS LIST

MODEL

SR35

(Revised 07-06-04)

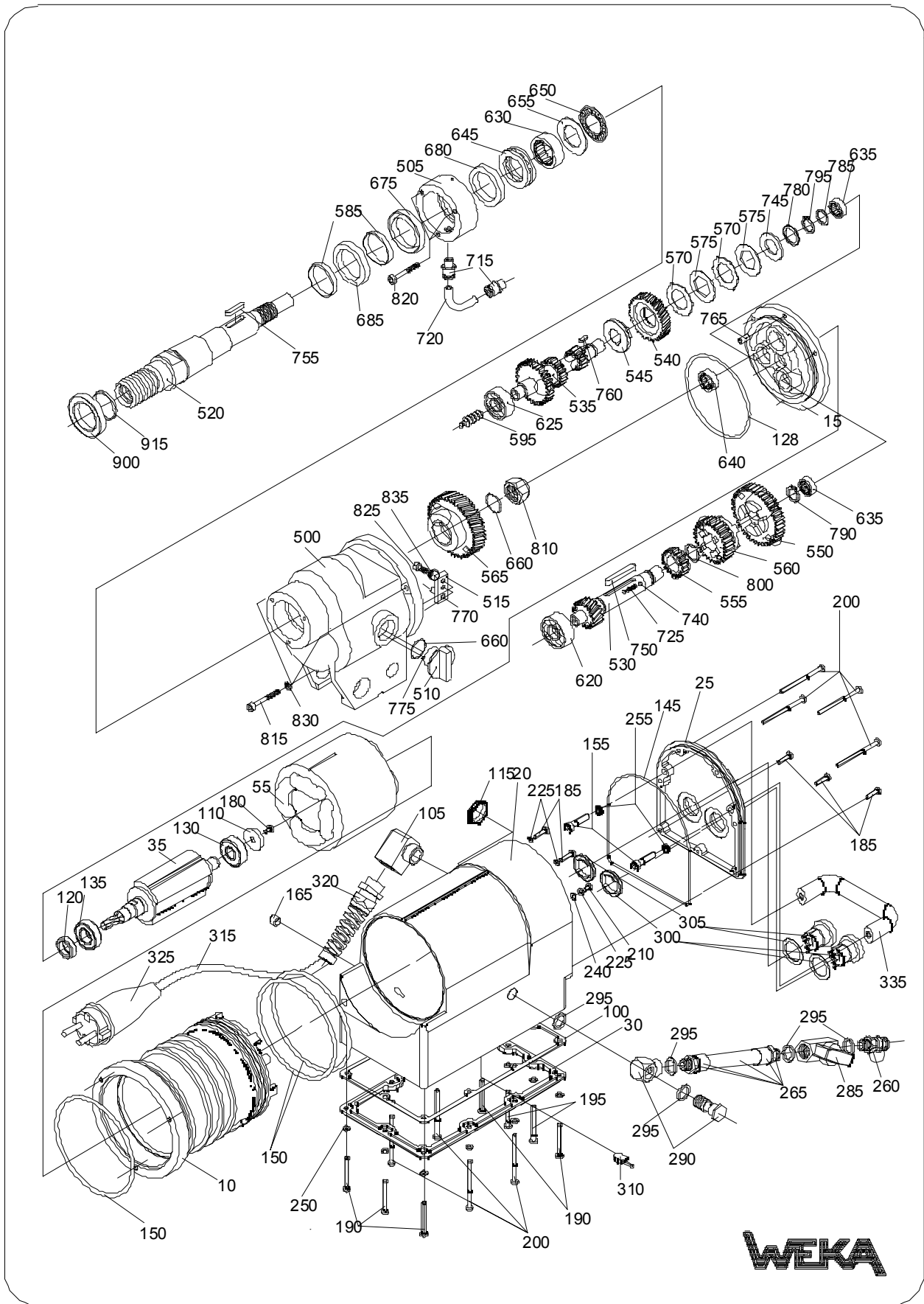
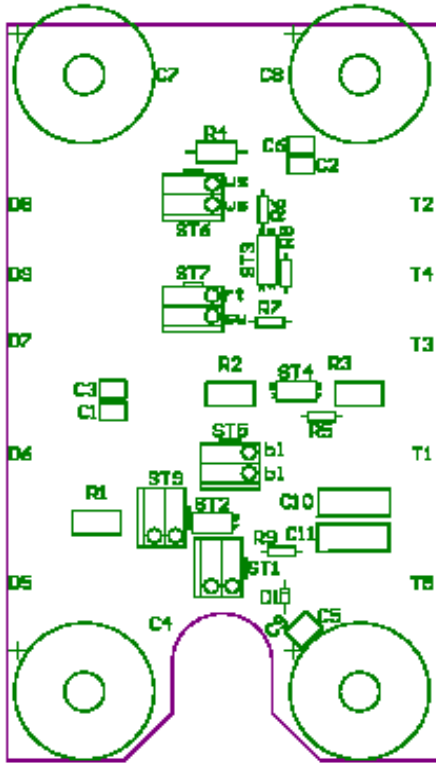


FIG	PART #	QTY	DESCRIPTION	
10	2702552	1	Motorcase	
15	2702553	1	Intermediate Flange	
20	2702554	1	Case Sleeve	
25	2702555	1	Switch Cover	
30	2702556	1	Terminal Case Cover	
35	2702557	1	Rotor compl.	
55	2702558	1	Stator compl.	
100	2702559	1	Terminal Case Sealing	
105	2701071	1	Cable Angle	
110	2702560	1	Sensor-Disc	
115	2701074	1	Hexagon Nut	Pg13
120	2702561	1	Rotary Shaft Seal	14x24x7
130	2700846	1	Ball Bearing	6201 2Z
135	2702562	1	Ball Bearing	6002 RS
140	2700848	1	Compensation Washer	
145	2701046	1	O-Ring	RDR 135x2
150	2702563	3	O-Ring	RDR 110x4
155	2702564	2	Hex. Sock. Hd. Screw	M6x25
160	2702565	1	Hex. Sock. Hd. Screw	M4x55
165	2702566	1	Slot. Set Screw	M6x5
170	2702567	6	Cheese head screw	M3x8
175	2702568	10	Cheese head screw	M3x14
180	2702569	8	Cheese head screw	M4x8
185	2702570	5	Cheese head screw	M4x16
190	2702571	5	Cheese head screw	M4x40
195	2702572	2	Cheese head screw	M4x45
200	2702573	8	Cheese head screw	M4x60
210	2700674	1	Slot. Pan Head Screw	M4x6
215	2702574	1	Slot. Count. Head Screw	M5x16
220	2700858	1	Hexagon Nut	M5
225	2700680	2	Curved Spring Washer	A4
230	2702575	2	Locking Washer	SM4
240	2700681	1	Medium Washer	4,3x8 Ms
245	2702576	1	Medium Washer	4,3x12
250	2702577	18	Sealing Washer	M4
255	2702578	2	Sealing Washer	M6
260	2700706	1	Quick Connect Nipple	
265	2701939	1	Hose Piece cpl. w. nipples	
285	2700715	1	Ball Valve	
290	2701094	1	Angle Screwing	G1/4"
295	2700717	5	Sealing Ring	G1/4"
300	2702579	1	On-Button	
305	2702580	1	Off-Button	

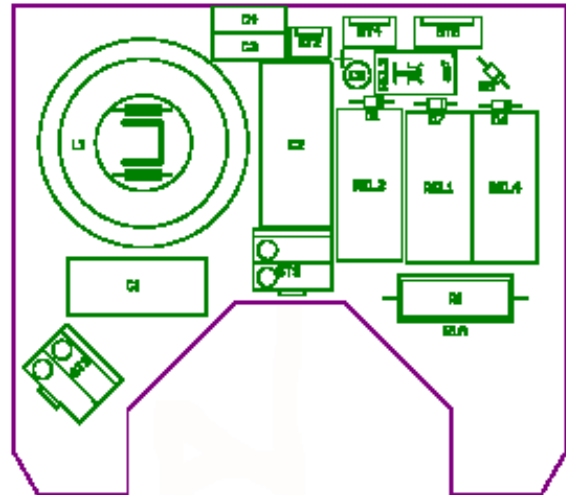
FIG	PART #	QTY	DESCRIPTION	
310	2702581	1	Thermal Switch	
315	#N/A	1	Cord	G1,5X4m H07BQ-F
320	2701451	1	Cord Gland	
325	#N/A	1	Mains Plug	Schuko
335	2702582	1	Carrying Handle	
500	#N/A	1	Gear Box	
505	#N/A	1	Water Supply Bush	
510	2700872	1	Gear Change Grip	
515	2701925	1	Gear Change Lever	
520	2703236	1	Drill Spindle 1 1/4" UNC	
525	#N/A	1	Drill Spindle M33/3	
530	2701927	1	Gear Change Shaft	
535	2702557	1	Pinion Shaft	
540	2702558	1	Spur Wheel	
545	2702586	1	Bearing Bush	
550	2701930	1	Gear Wheel 1	
555	2701931	1	Gear Wheel 3	
560	2701932	1	Slide Gear Wheel	
565	2702587	1	Spindle Wheel	
570	2702588	2	Brake Disk	
575	2702589	2	Pressure Disk	
585	2701064	2	Shaft Wearing Sleeve	
595	2701937	1	Feed Worm	
600	2702590	1	Bearing Bush alternative	
605	2702591	1	Bearing Bush alternative	
610	2702592	1	Axle alternative	
615	2702593	1	Eccentric Shaft alternative	
620	2700791	1	Ball Bearing	6302
625	2700792	1	Ball Bearing	6201
630	2700793	1	Needle Bearing	
635	2700794	2	Needle Bush	
640	2700795	1	Needle Bush	
645	2700796	1	Thrust Ball Bearing	
650	2700797	1	Thrust Needle Bearing	
655	2700798	1	Thrust Bearing Washer	
660	2700799	1	O-Ring	RDR102x3
665	2700711	2	O-Ring	RDR20x3
670	2700712	1	O-Ring	RDR11x2,5
675	2700802	1	Rotary Shaft Seal	AD40x52x7
680	2700803	1	Rotary Shaft Seal	UD38x50x7
685	2700804	1	Rotary Shaft Seal	UE40x52x7
715	2702594	2	Quick Connect Nipple	G1/4"/8
720	2702595	1	Junction Hose	5/8x110

FIG	PART #	QTY	DESCRIPTION	
725	2700810	1	Pressure Spring	
740	2700720	2	Ball	4mm
745	2702596	1	Disk Spring	
750	2700813	1	Parallel Key	A6x6x45
755	2702597	1	Parallel Key	A5x5x25
760	2700815	1	Parallel Key	A4x4x10
765	2700816	1	Parallel Pin	6m6x10
770	2702598	1	Parallel Pin	5m6x15
775	2700723	1	Parallel Pin	3m6x16
780	2700819	1	Shim Ring	PS14x20x1
785	2702599	1	Shim Ring	PS16x22x1
790	2700820	1	Retaining Ring	16x1
795	2702600	1	Retaining Ring	16x1,5
800	2700821	1	Retaining Ring	SW20
810	2702601	1	Hexagon Nut	M22x1,5
815	2702602	3	Hex. Soc. Head Screw	M6x30
820	2700825	3	Hex. Soc. Head Screw	M5x45
825	#N/A	1	Hex. Soc. Head Screw	M5x12
830	2700826	3	Locking Washer	SM6
835	2700735	1	Locking Washer	SM5
	2700829	1	Gear Oil	300 ml
900	#N/A	1	Antifriction Element	
915	#N/A	1	Clampring	

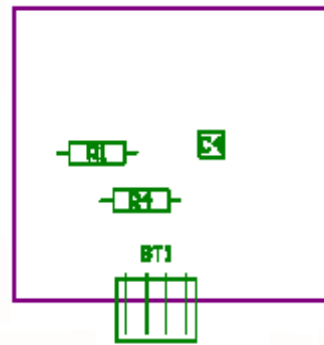
electronic components				
FIG	PART #	QTY	DESCRIPTION	
350	2702603	1	Control Board	
355	2702604	1	Power Board	
360	2702605	1	Powersupply Board	
365	2702606	1	Sensor Board	
380		1	PFC-Reactor	
395	2702608	2	Insulation Film	
400	2702609	10	Insulation Bush	
410	2702610	1	Strand Kid - ON-OFF Button	2x2 green/red
415	2702611	1	Strand Kid - Sensor	4 green
420	2702612	1	Strand Kid - DC/ON/OFF/UD	5 red
425	2702613	1	Strand Kid - Power Board/Conrol Board	2 orange
430	#N/A	1	Stranded Wire - Cross Rectifier +	1,5 ² x75 red
435	#N/A	1	Stranded Wire - Cross Rectifier -	1,5 ² x75 black
440	#N/A	1	Stranded Wire - Cross Rectifier -1	1,5 ² x125 blue
445	#N/A	1	Stranded Wire - Cross Rectifier -2	1,5 ² x125 blue
455		1	Cross Rectifier	



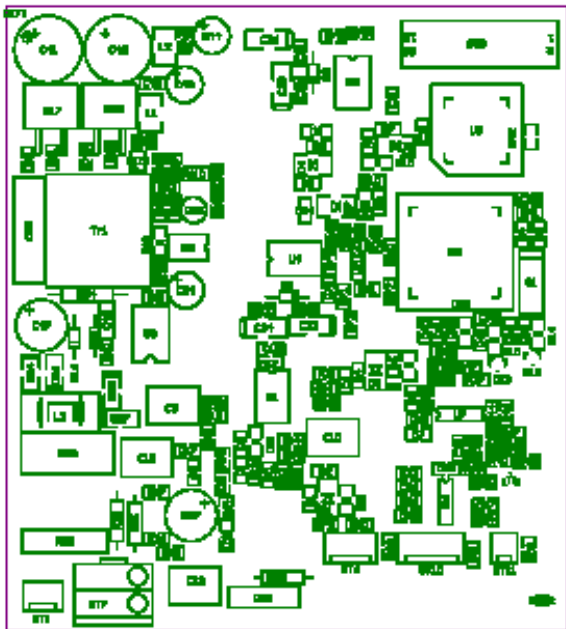
SR 30512
Powerboard #2702604



SR 30514
Power Supply Board #2702605



SR 30516
Sensorboard #2702606



SR 30510
Controllboard #2702603

Intentionally Blank

Intentionally Blank

EQUIPMENT AND PARTS WARRANTY

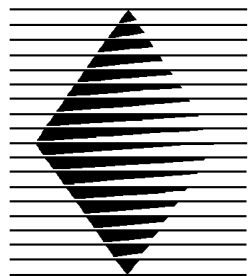
Diamond Products warrants all equipment manufactured by it against defects in workmanship or materials for a period of one (1) year from the date of shipment to Customer.

The responsibility of Diamond Products under this Warranty is limited to replacement or repair of defective parts at Diamond Products' Elyria, Ohio factory, or at a point designated by it, of such parts as shall appear to us upon inspection at such parts, to have been defective in material or workmanship, with expense for transportation and labor borne by Customer.

In no event shall Diamond Products be liable for consequential or incidental damages arising out of the failure of any Product to operate properly.

Integral units such as engines, electric motors, batteries, transmissions, etc., are excluded from this Warranty and are subject to the prime manufacturer's warranty.

THIS WARRANTY IS IN LIEU OF ALL OTHER WARRANTIES, EXPRESSED OR IMPLIED, AND ALL SUCH OTHER WARRANTIES ARE HEREBY DISCLAIMED.



DIAMOND PRODUCTS

333 Prospect Street, Elyria, Ohio 44035
(440) 323-4616 • (800) 321-5336 • Fax (440) 323-8689
www.diamondproducts.com