

DIAMOND
PRODUCTS

EARLY ENTRY
CONCRETE SAW
PARTS LIST

MODEL
CC1900

(March 2012)

(Intentionally Blank)

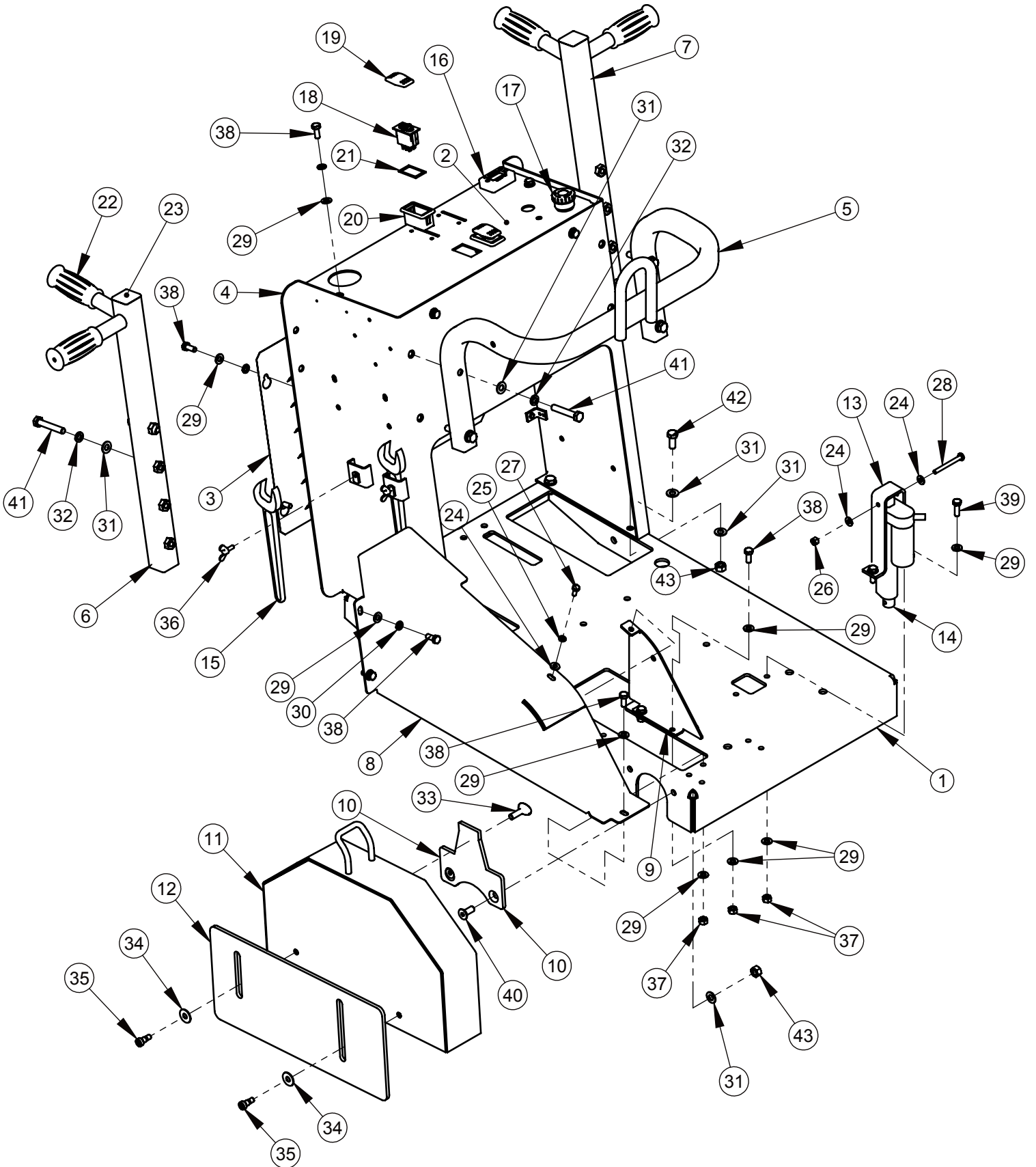
TABLE OF CONTENTS

<u>Description</u>	<u>Page No.</u>
Frame Assembly.....	4 - 5
Engine Assembly.....	6 – 7
Transmission Assembly.....	8 – 9
Carriage Assembly.....	10 – 11
Blade Shaft Assembly.....	12
Fuel Tank Assembly.....	13
Pointer Assembly.....	14 - 15
Battery Assembly.....	16
Warranty.....	Rear Cover

Quick Reference Service Filters/ Belts

<u>DP Part No.</u>	<u>Description</u>	<u>Manufacturer's Part No.</u>
2700142	Air Filter for 18HP Honda	(Honda #17210-759-013)
2700348	Fuel Filter for 18HP Honda	(Honda #17672-880-000)
2702741	Oil Filter for 18HP Honda	(Honda #15400-PLM-AO1PE)
2500792	Blade Shaft Belt (3) for 18HP Honda	(Gates #3VX400)
2503619	Transmission Belt for 18HP Honda	(Gates #4L-450)

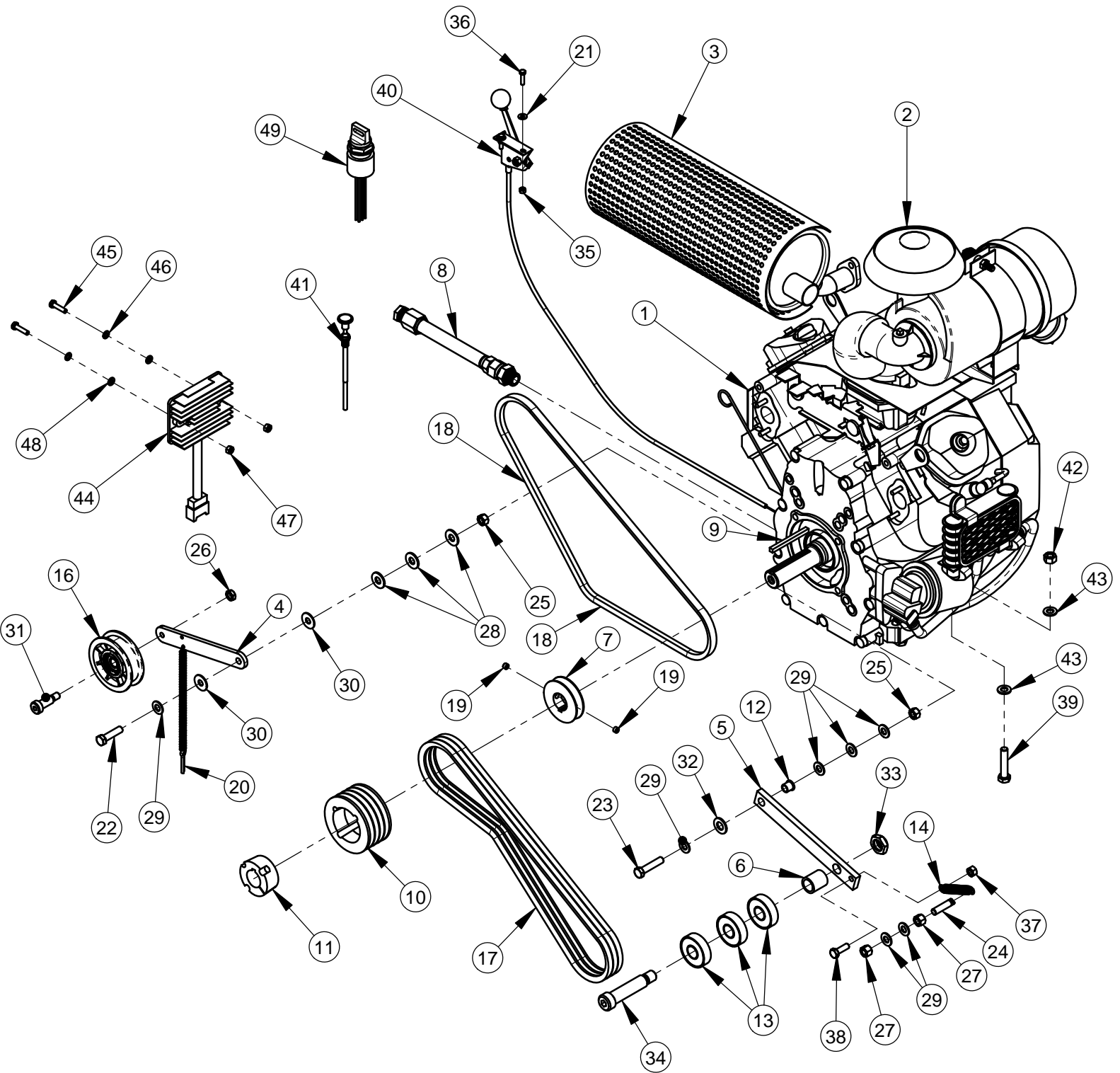
FRAME ASSEMBLY: 6040366



FRAME ASSEMBLY: 6040366

ITEM	PART NO.	QTY.	DESCRIPTION
1	6040620	1	Frame Weldment
2	6040637	1	Control Panel Weldment
3	6040638	1	Rear Cover Screen
4	6040636	1	Frame Upright Weldment
5	6040639	1	Lift Bar Weldment
6	6048601	1	Handlebar
7	6048602	1	Handlebar
8	6040634	1	Belt Guard
9	6040635	1	Panel Guard
10	6049024	1	Tapered Guard Mount
11	6040633	1	14" Blade Guard
12	6040640	1	Dust Shield
13	6040619	1	Bracket, Actuator Mount
14	2503648	1	Electric Actuator, 4" Stroke, 200 LBS
15	2500256	2	Wrench Head
16	2801502	1	Tach/Hour Meter, W/#6 Screws
17	2801367	1	E-Stop Switch
18	2800258	2	Rocker Switch Body
19	2800259	2	Rocker Switch Actuator
20	2800260	2	Rocker Mounting Panel
21	2800261	2	Rocker Panel Gasket
22	2500636	4	Handle Grip
23	2503925	2	Cap, 1-1/4" Sq. Tube
24	2900009	3	Flat Washer, 1/4" SAE
25	2900024	1	Lock Washer, 1/4" Split
26	2900010	1	Lock Nut, 1/4-20 Nylon
27	2900023	1	Cap Screw, Hex Hd., 1/4-20 x 5/8"
28	2901001	1	Cap Screw, Hex Hd., 1/4-20 x 2-1/2"
29	2900022	22	Flat Washer, 5/16" SAE
30	2900031	12	Lock Washer, 5/16" Split
31	2900014	18	Flat Washer, 3/8" SAE
32	2900006	8	Lock Washer, 3/8" Split
33	2900500	1	Thumb Screw, 3/8-16 x 1"
34	2900153	2	Friction Washer, 3/8"
35	2900253	2	Shoulder Screw, 3/8 x 3/8" (5/16-18)
36	2900307	2	Wing Screw, M6 x 16mm
37	2900303	5	Lock Nut, M8-1.25 Nylon Insert
38	2900329	15	Cap Screw, Hex Hd., M8-1.25 x 20mm
39	2900360	2	Cap Screw, Hex Hd., M8-1.25 x 25mm
40	2900744	2	Cap Screw, Flat Hd., M10-1.5 x 25mm
41	2900338	8	Cap Screw, Hex Hd., M10-1.5 x 60mm
42	2900333	4	Cap Screw, Hex Hd., M10-1.5 x 25mm
43	2900304	6	Lock Nut, M10-1.5 Nylon Insert

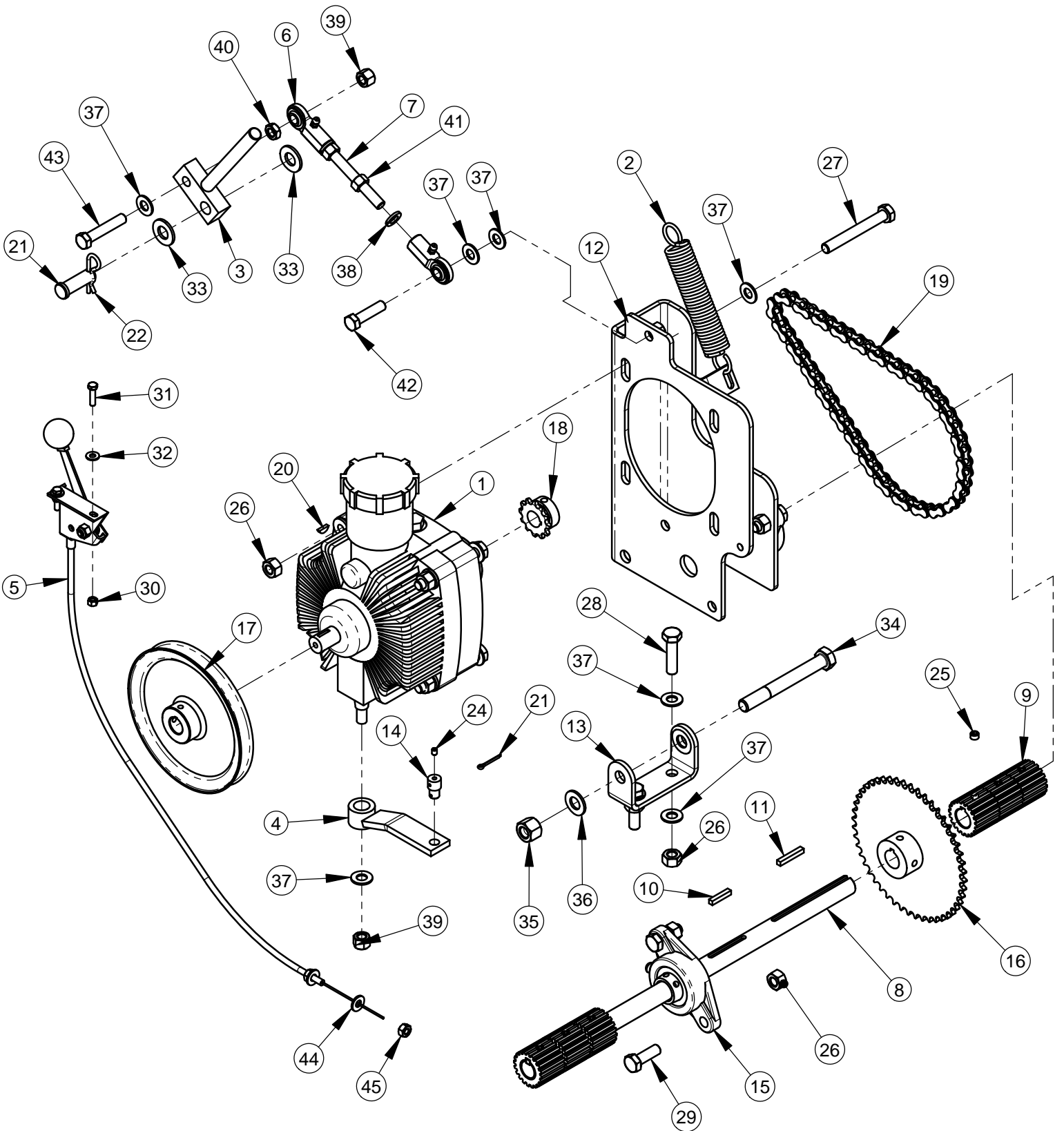
ENGINE ASSEMBLY: 6040363



ENGINE ASSEMBLY: 6040363

ITEM	PART NO.	QTY.	DESCRIPTION
1	2600644	1	Engine, 18 HP Honda
2	2703556	1	Air Cleaner Assembly
3	2708046	1	Honda Muffler, R Side Exhaust
4	6048218	1	Idler Arm
5	6040628	1	Belt Tensioner Arm
6	6040641	1	Spacer, .75 x 1.00 x 1.06Long
7	6048195	1	Pulley, 1-1/8" Bore
8	6048245	1	Oil Drain Hose Assembly
9	6047977	1	Key, 1/4" Sq. x 3"
10	2500621	1	Sheave, 3V-3.65-4 Groove (1610)
11	2500031	1	Taper Bushing, 1-1/8" W/ Set Screws
12	2501583	1	Bearing, 3/8" ID Flanged Bronze
13	2502716	3	Ball Bearing, 3/4 x 2 x 9/16 (1638-ZZ)
14	2503190	1	Spring, Ext..48 x .063 x 3.00 Long
15	2500195	1	Spring, 3/8" x 7-3/4"
16	2503921	1	Idler Pulley, 3" Flat Type
17	2500792	3	V-Belt, 3VX400
18	2503619	1	V-Belt, 4L-450
19	2900036	2	Set Screw, Soc. Hd., 5/16-18 x 1/4"
20	2900055	1	Cotter Pin, 3/16" x 1"
21	2900016	2	Flat Washer, #10 USS
22	2900029	1	Cap Screw, Hex Hd., 3/8-16 x 1-1/2"
23	2900047	1	Cap Screw, Hex Hd., 3/8-16 x 1-3/4"
24	2901385	1	Spring Anchor 3/8 x 1-5/8"
25	2900033	2	Hex Nut, 3/8-16
26	2900782	1	Jam Nut, 3/8-16
27	2900018	2	Lock Nut, 3/8-16 Nylon
28	2900473	3	Flat Washer, 3/8" USS
29	2900014	7	Flat Washer, 3/8" SAE
30	2900153	2	Friction Washer, 3/8"
31	2900587	1	Shoulder Screw, 1/2" x 1" (3/8-16)
32	2900239	1	Friction Washer, 1/2"
33	2900753	1	Jam Lock Nut, 5/8-11
34	2901322	1	Shoulder Screw, 3/4" x 2.75" (5/8-11)
35	2900301	2	Lock Nut, M5-0.8 Nylon Insert
36	2900309	2	Cap Screw, Hex Hd., M5-0.8 x 20mm
37	2900303	1	Lock Nut, M8-1.25 Nylon Insert
38	2900360	1	Cap Screw, Hex Hd., M8-1.25 x 25mm
39	2900318	4	Cap Screw, Hex Hd., M10-1.5 x 50mm
40	2900304	4	Lock Nut, M10-1.5 Nylon Insert
41	2500810	1	Throttle Control, 36"
42	2500377	1	Choke Cable
43	2706541	1	Ignition Switch W/ Key
44	2901356	8	Flat Washer, M10
45	2701670	1	Rectifier Assembly
46	2900311	2	Cap Screw, Hex Hd., M6-1.0 x 25mm
47	2900765	2	Lock Washer, M6 Split
48	2900302	2	Lock Nut, M6-1.0 Nylon Insert
49	2901494	2	Flat Washer, M6

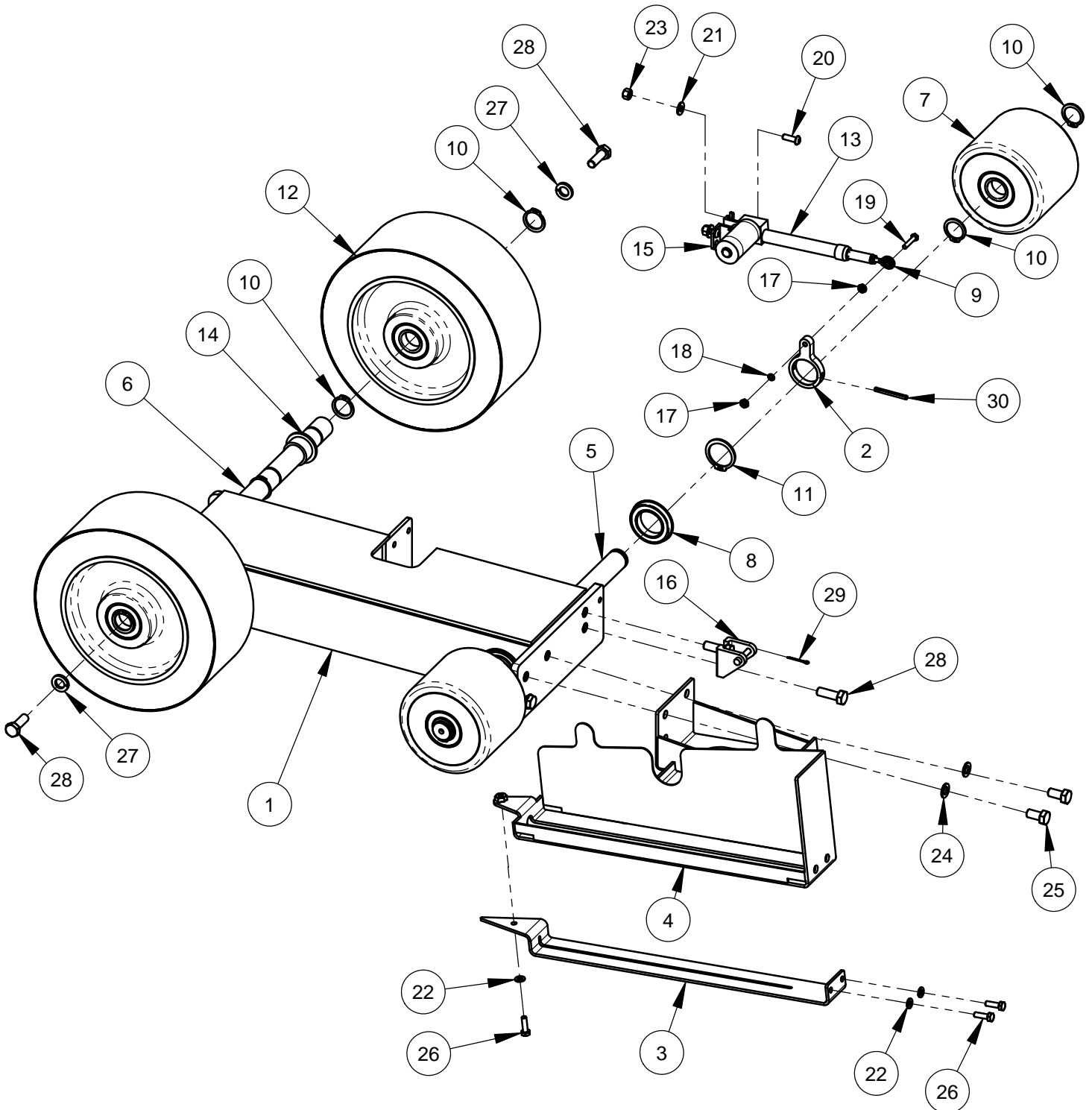
TRANSMISSION ASSEMBLY: 6040365



TRANSMISSION ASSEMBLY: 6040365

ITEM	PART NO.	QTY.	DESCRIPTION
1	2600015	1	Eaton 6 Transmission
2	2500780	1	Spring, 1" Dia. x 6"
3	6048057	1	Engagement Lever
4	6048211	1	Shift Lever
5	2500076	1	Transmission Speed Control
6	2500152	2	Rod End, 3/8-24 Female
7	6012066	1	Rod, 3/8-24 x 4-1/4"
8	6040626	1	Drive Shaft
9	6048235	6	Wheel Drive
10	6010170	1	Key, 3/16" Sq. x 1"
11	6048229	6	Key, 3/16" Sq. x 1-1/4"
12	6040624	1	Pump Frame Weldment
13	6040625	1	Pump Support Bracket
14	6048212	1	Pivot Pin
15	2500011	2	Flg Mnt Brg 3/4" Peer UCFT204-12-90
16	2500018	1	Sprocket, 48 Teeth w/ Setscrews
17	2500016	1	Pulley, 6"
18	2500017	1	Sprocket, 12 Teeth
19	6048232	1	Chain, #35 x 63 Pitch
20	2900068	2	Woodruff Key #404, 1/8" W x 1/2" Dia.
21	2900034	1	Cotter Pin, 3/32" x 3/4"
22	2900276	1	Hairpin Cotter, 1/8" x 1/2" to 3/4"
21	2900277	1	Clevis Pin, 1/2" Dia. x 1-1/2"
24	2900059	1	Set Screw, Soc. Hd., #10-32 x 1/4"
25	2900036	6	Set Screw, Soc. Hd., 5/16-18 x 1/4"
26	2900304	10	Lock Nut, M10-1.5 Nylon Insert
27	2900319	4	Cap Screw, Hex Hd., M10-1.5 x 80mm
28	2900316	2	Cap Screw, Hex Hd., M10-1.5 x 40mm
29	2900223	4	Cap Screw, Hex Hd., M10-1.5 x 30mm
30	2900301	2	Lock Nut, M5-0.8 Nylon Insert
31	2900309	2	Cap Screw, Hex Hd., M5-0.8 x 20mm
32	2900016	2	Flat Washer, #10 USS
33	2900058	2	Flat Washer, 1/2" SAE
34	2900414	1	Cap Screw, Hex Hd., 1/2-13 x 4-1/4"
35	2900026	1	Lock Nut, 1/2-13 Nylon
36	2900239	2	Friction Washer, 1/2"
37	2900014	12	Flat Washer, 3/8" SAE
38	2900006	2	Lock Washer, 3/8" Split
39	2900018	3	Lock Nut, 3/8-16 Nylon
40	2900782	1	Jam Nut, 3/8-16
41	2900033	2	Hex Nut, 3/8-16
42	2900029	1	Cap Screw, Hex Hd., 3/8-16 x 1-1/2"
43	2900366	1	Tap Screw, Hex Hd., 3/8-16 x 2"
44	2900009	2	Flat Washer, 1/4" SAE
45	2900186	2	Hex Nut, 1/4-28

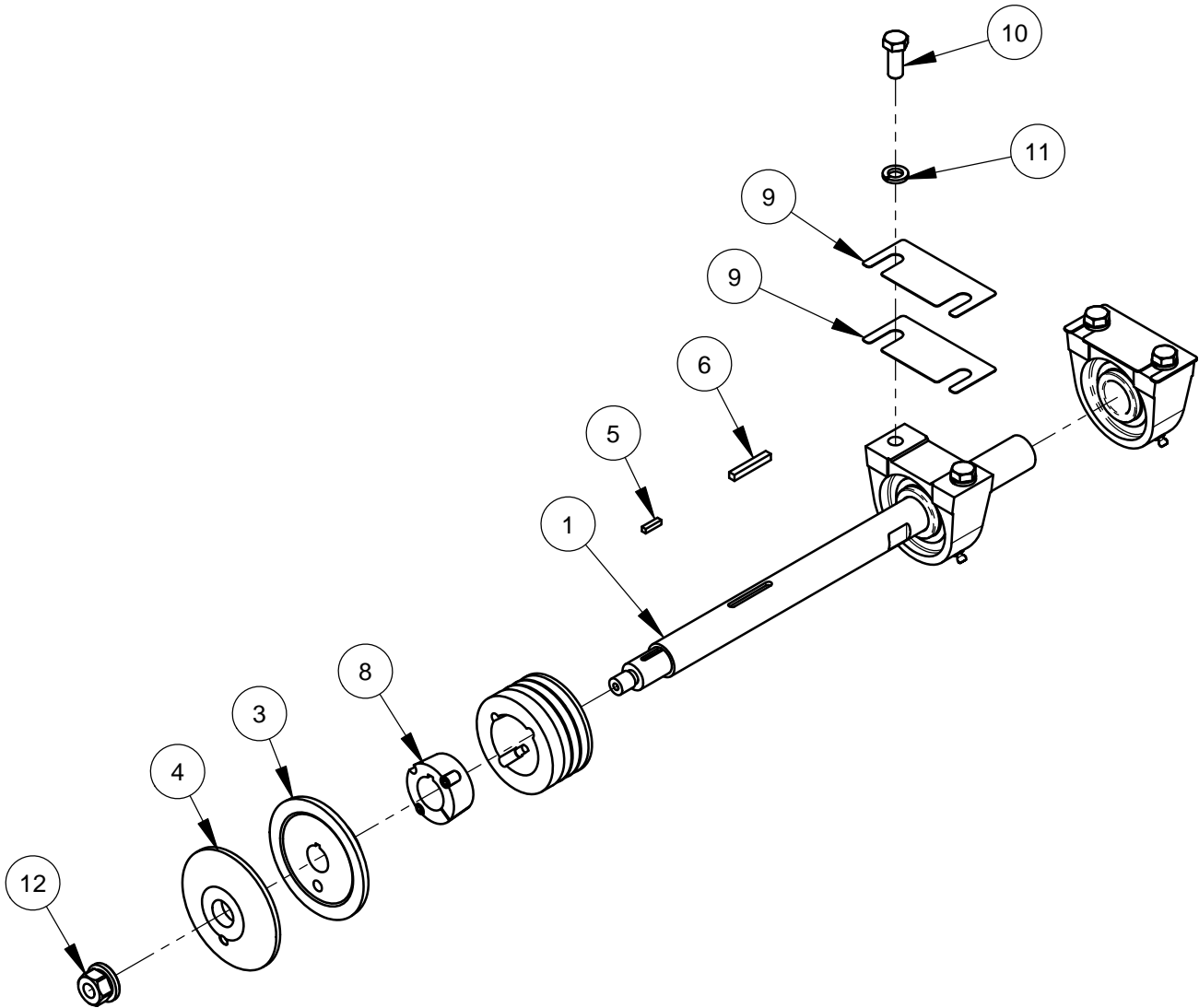
CARRIAGE ASSEMBLY: 6040362



CARRIAGE ASSEMBLY: 6040362

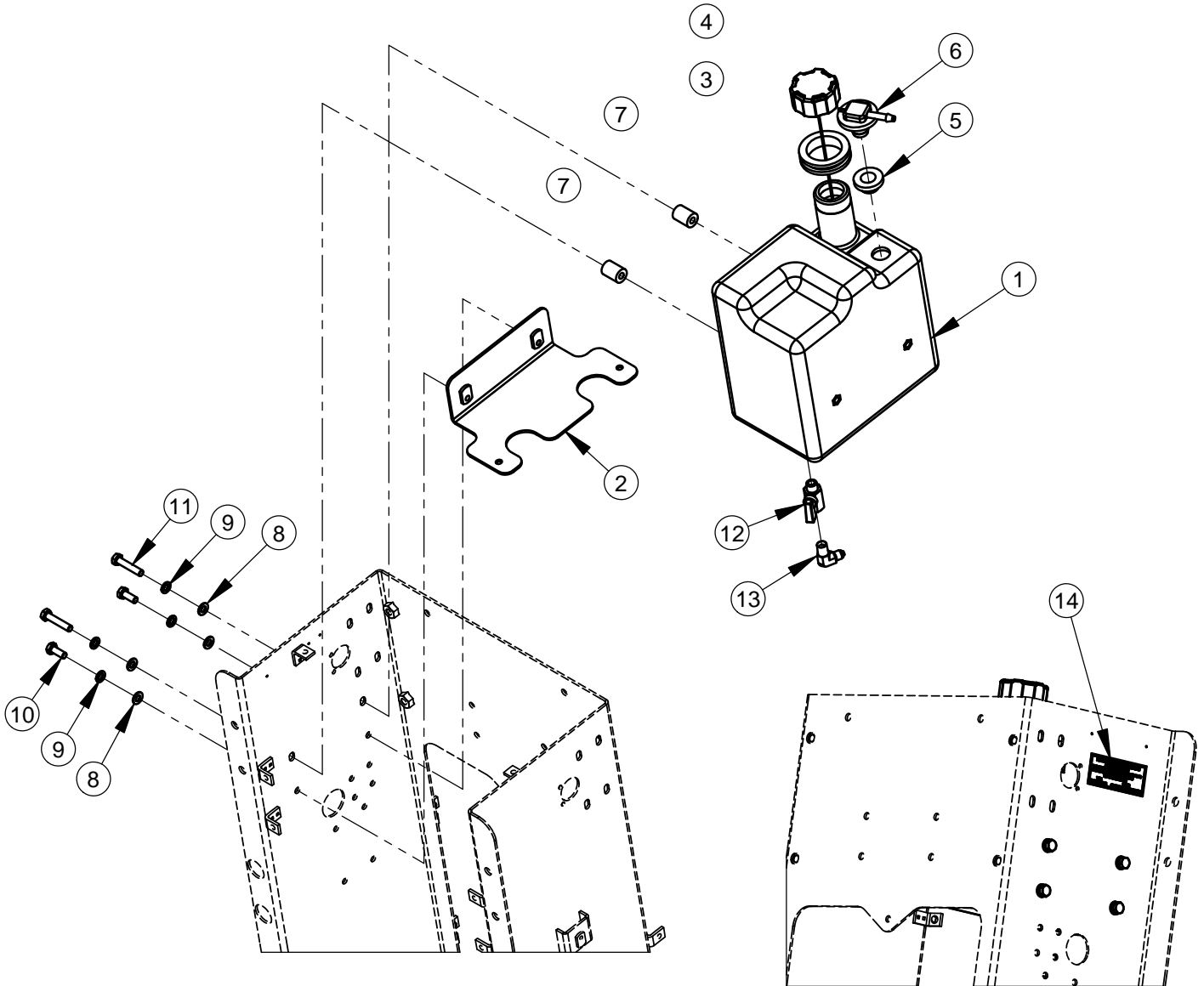
ITEM	PART NO.	QTY.	DESCRIPTION
1	6040621	1	Wheel Frame Weldment
2	6040632	1	Linkage, Shaft
3	6040630	1	Plate, Skip 14 Dia. X .120 Blade
4	6040629	1	Skip Plate Mounting Shoe
5	6040631	1	Shaft, Eccentric
6	6040623	1	Rear Axle
7	2503642	2	Wheel, 5 x 4 x 1"
8	2503646	2	Radial Bearing 6907-2RS-NR
9	2501887	1	Rod End, #10-32 Male
10	2504810	9	Retaining Ring, 1" Ext. Heavy Duty
11	2502717	2	Retaining Ring, 1-3/8" Ext Heavy Duty
12	2503643	2	Wheel, 10 x 4 x 1" Poly
13	2503644	1	Actuator
14	2503647	2	Bearing, Flanged Bronze 1" ID
15	2503727	1	Pivot Bracket with Pin
16	2901249	1	CLEVIS, ACTUATOR
17	2900050	3	Hex Nut, #10-24
18	2900038	1	Lock Washer, #10 Split
19	2900054	1	Machine Screw, Hex Hd., #10-24 x 1"
20	2900427	2	Cap Screw, Button Hd., 1/4-20 x 3/4"
21	2900009	2	Flat Washer, 1/4" SAE
22	2900024	3	Lock Washer, 1/4" Split
23	2900010	2	Lock Nut, 1/4-20 Nylon
24	2900321	3	Lock Washer, M10 Split
25	2900314	3	Cap Screw, Hex Hd., M10-1.5 x 20mm
26	2900310	3	Cap Screw, Hex Hd., M6-1.0 x 20mm
27	2900084	2	Lock Washer, 1/2" Split
28	2900223	4	Cap Screw, Hex Hd., M10-1.5 x 30mm
29	2900599	1	Cotter Pin, 1/16" x 3/4"
30	2901323	1	Roll Pin, 3/16" x 1-3/4"

BLADE SHAFT ASSEMBLY: 6040364



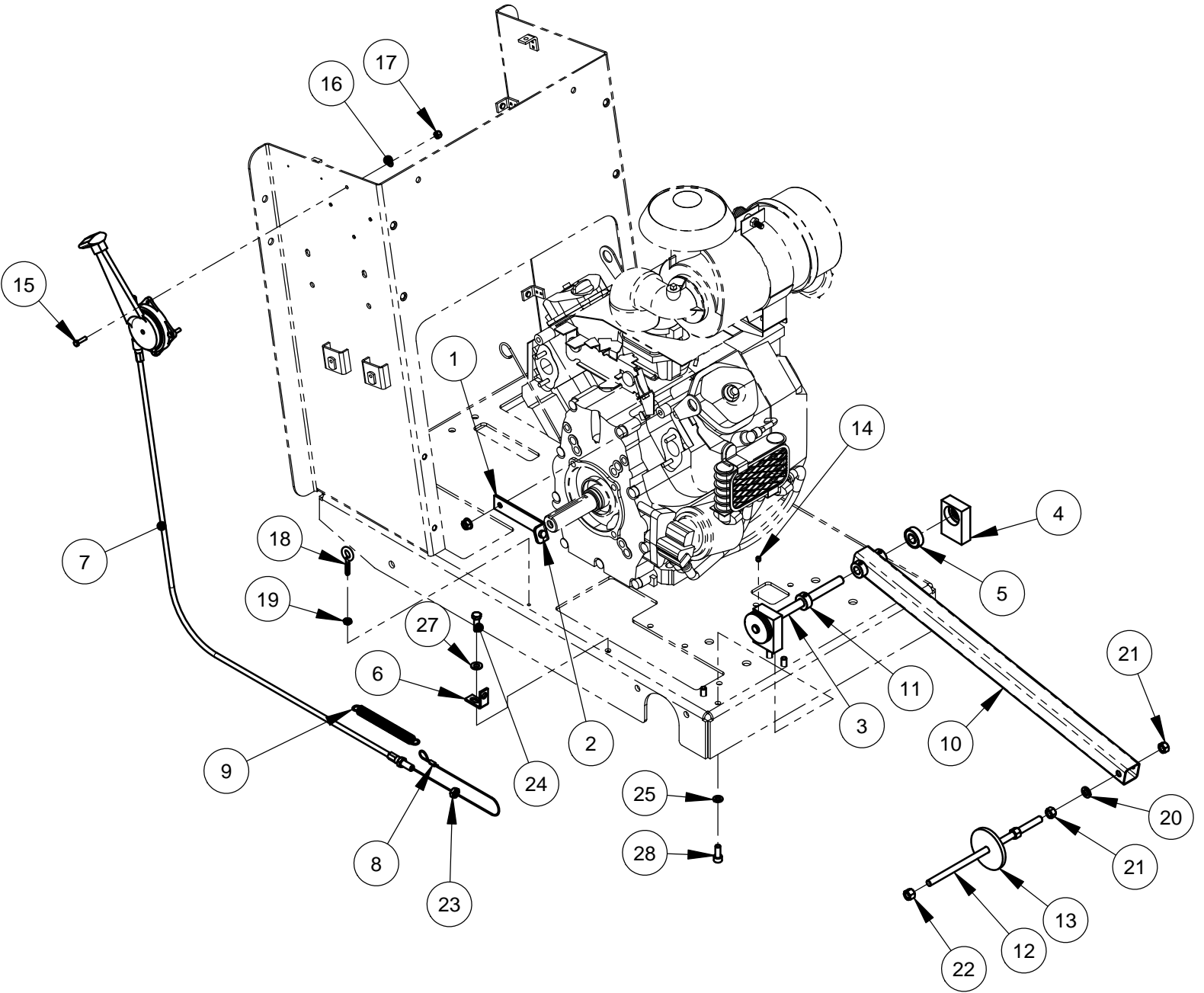
ITEM	PART NO.	QTY.	DESCRIPTION
1	6040622	1	Blade Shaft
2	2500158	2	Pillow Block Bearing 1-1/4"
3	6048008	1	Inner Flange 4-1/2"
4	6048009	1	Outer Flange, 4-1/2" w/ Pin
5	6048018	1	Key, 3/16" Sq. x 3/4"
6	2400299	1	Key, 1/4 x 1-3/4"
7	2500025	1	Sheave, 3.65-3 Groove
8	2500337	1	Taper Bushing, 1-1/4" w/ Set Screws
9	6010429	4	Axle Bearing Shim 1/32"
10	2900025	4	Cap Screw, Hex Hd., 1/2-13 x 1-1/4"
11	2900084	4	Lock Washer, 1/2" Split
12	2900065	1	Flange Nut, 5/8-11 R.H.

FUEL SYSTEM: 6049065



ITEM	PART NO.	QTY.	DESCRIPTION
1	6010849	1	Fuel Tank, 1.5 Gallon
2	6048327	1	Bracket
3	2500623	1	Fuel Tank Grommet
4	2506718	1	Fuel Tank Cap, 1-3/4"
5	2506716	1	Grommet
6	2505503	1	Roll Over Vent, 3/8" Hose Barb
7	2900797	2	Standoff, 3/4 x 1"
8	2901336	4	Flat Washer, M8
9	2900763	4	Lock Washer, M8 Split
10	2900329	2	Cap Screw, Hex Hd., M8-1.25 x 20mm
11	2900792	2	Cap Screw, Hex Hd., M8-1.25 x 40mm
12	3200108	1	Ball Valve, 1/4" NPT
13	3200057	1	Elbow, 1/4" M. Pipe to 1/4" M. JIC
14	1801716	1	Decal, EPA EVAP Standard

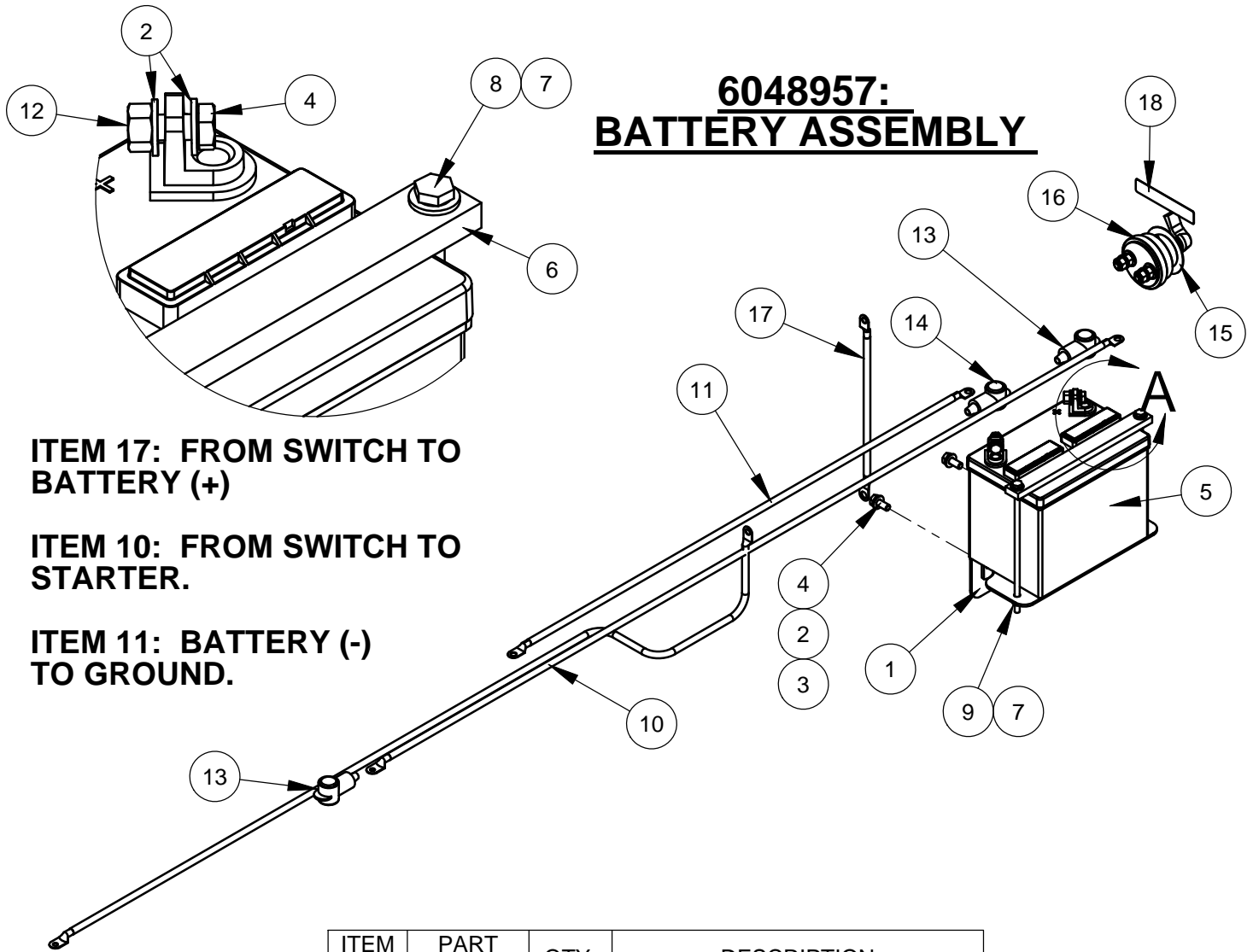
POINTER ASSEMBLY: 6040369



POINTER ASSEMBLY: 6040369

ITEM	PART NO.	QTY.	DESCRIPTION
1	6030454	1	Pointer Stop
2	2503654	1	Bumper, Push In
3	6030297	1	Shaft, Pointer
4	6030295	2	Bearing Mount
5	2503618	2	Ball Bearing, 1/2" x 32mm x 10mm
6	6030321	1	Cable Mount
7	2503616	1	Control Lever and Cable
8	2503652	1	Compression Sleeve (Oval)
9	2503651	1	Spring, .57 x .08 x 5-5/8"L Ext.
10	6030294	1	Pointer Weldment
11	2500007	1	Set Collar, 1/2" with Set Screw
12	6010168	1	Rod, 3/8-24 x 9-3/4"
13	6041086	1	Guide Wheel
14	2900381	1	Set Screw, Soc. Hd., 1/4-28 x 1/4"
15	2900015	4	Machine Screw, Hex Hd., #10-24 x 3/4"
16	2900016	4	Flat Washer, #10 USS
17	2900017	4	Lock Nut, #10-24 Nylon
18	2900548	1	Eyebolt, 1/4-20 x 1"
19	2900358	1	Jam Nut, 1/4-20
20	2900006	1	Lock Washer, 3/8" Split
21	2900148	2	Hex Nut, 3/8-24
22	2900952	2	Lock Nut, 3/8-24
23	2900696	2	Jam Nut, 3/8-24
24	2900138	1	Cap Screw, Hex Hd., 5/16-18 x 1"
25	2900031	4	Lock Washer, 5/16" Split
26	2900039	1	Lock Nut, 5/16-18 Nylon
27	2900022	1	Flat Washer, 5/16" SAE
28	2900243	4	Cap Screw, Soc. Hd., M8 x 1.25 x 20mm

6048957: BATTERY ASSEMBLY

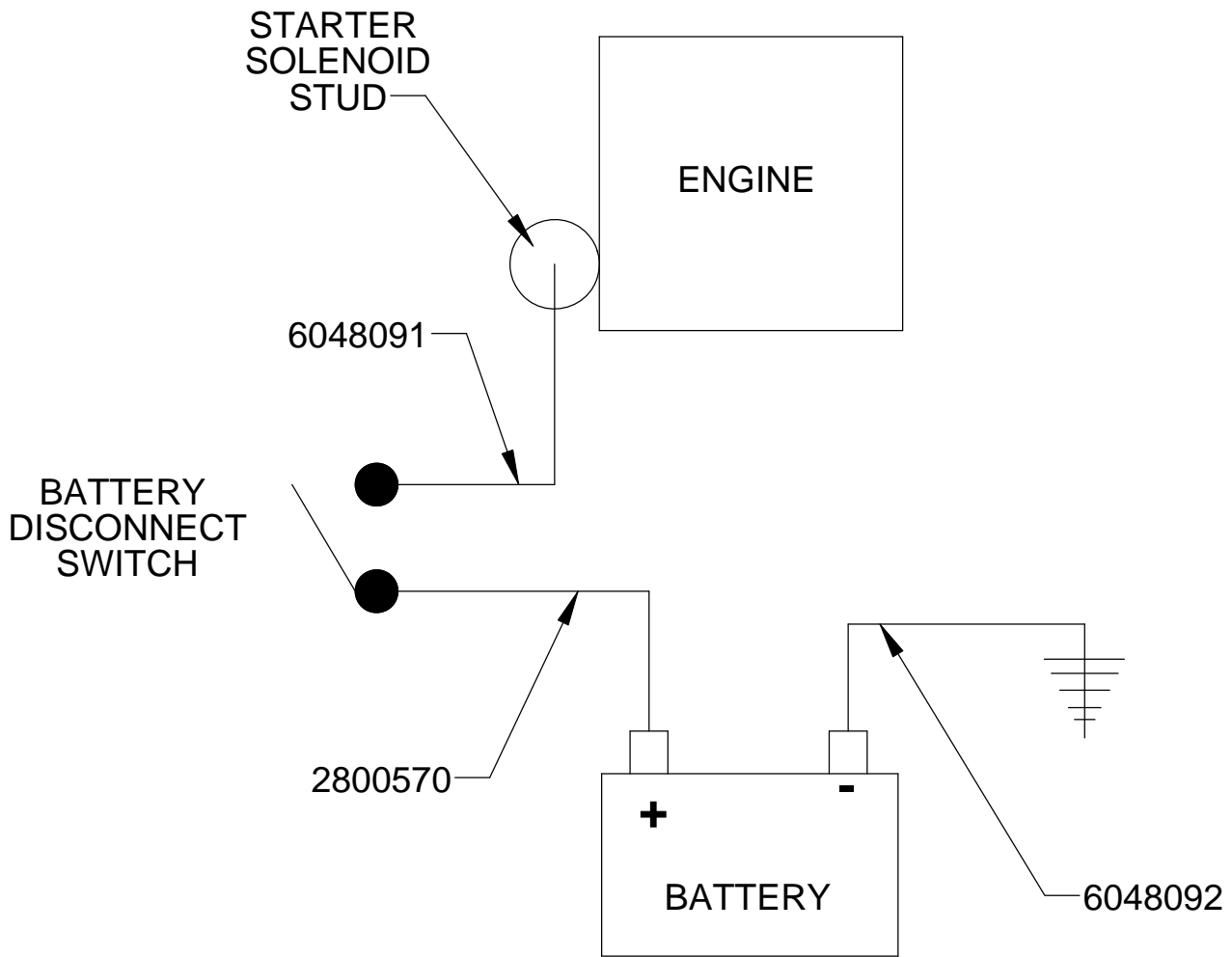


ITEM 17: FROM SWITCH TO BATTERY (+)

ITEM 10: FROM SWITCH TO STARTER.

ITEM 11: BATTERY (-) TO GROUND.

ITEM NO.	PART NUMBER	QTY.	DESCRIPTION
1	6048327	1	Bracket
2	2900022	6	Flat Washer, 5/16" SAE
3	2900031	2	Lock Washer, 5/16" Split
4	2900329	4	Capscrew, Hex Hd., M8 x 20mm
5	2500584	1	Battery, 12 Volt Group Size U1
6	4646122	1	Battery Support
7	2900009	4	Flat Washer, 1/4" SAE
8	2901405	2	1/4-20 x 7-1/2" Hex Hd., Cap Screw
9	2900010	2	Lock Nut, 1/4-20 Nylon
10	6048091	1	Battery Cable Assy., Red
11	6048092	1	Battery Cable Assy., Black
12	2900303	2	Lock Nut, M8 Nylon
13	2800197	2	Battery Boot, Small (Red)
14	2800198	1	Battery Boot, Small (Black)
15	2800566	1	Face Plate, Battery Disconnect
16	2800565	1	Battery Disconnect Switch
17	2800570	1	Battery Cable Assy., Red
18	1800846	1	Label, Battery Disconnect



6048957: BATTERY ASSEMBLY

EQUIPMENT AND PARTS WARRANTY

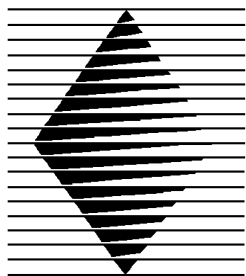
Diamond Products warrants all equipment manufactured by it against defects in workmanship or materials for a period of one (1) year from the date of shipment to Customer.

The responsibility of Diamond Products under this Warranty is limited to replacement or repair of defective parts at Diamond Products' Elyria, Ohio factory, or at a point designated by it, of such parts as shall appear to us upon inspection at such parts, to have been defective in material or workmanship, with expense for transportation and labor borne by Customer.

In no event shall Diamond Products be liable for consequential or incidental damages arising out of the failure of any Product to operate properly.

Integral units such as engines, electric motors, batteries, transmissions, etc., are excluded from this Warranty and are subject to the prime manufacturer's warranty.

THIS WARRANTY IS IN LIEU OF ALL OTHER WARRANTIES, EXPRESSED OR IMPLIED, AND ALL SUCH OTHER WARRANTIES ARE HEREBY DISCLAIMED.



DIAMOND PRODUCTS

333 Prospect Street, Elyria, Ohio 44035
(440) 323-4616 • (800) 321-5336 • Fax (440) 323-8689
www.diamondproducts.com