



Specialty Equipment Division

HS-20 Hydraulic Hand Saw

PARTS BOOK



REVISED: 1-1-04

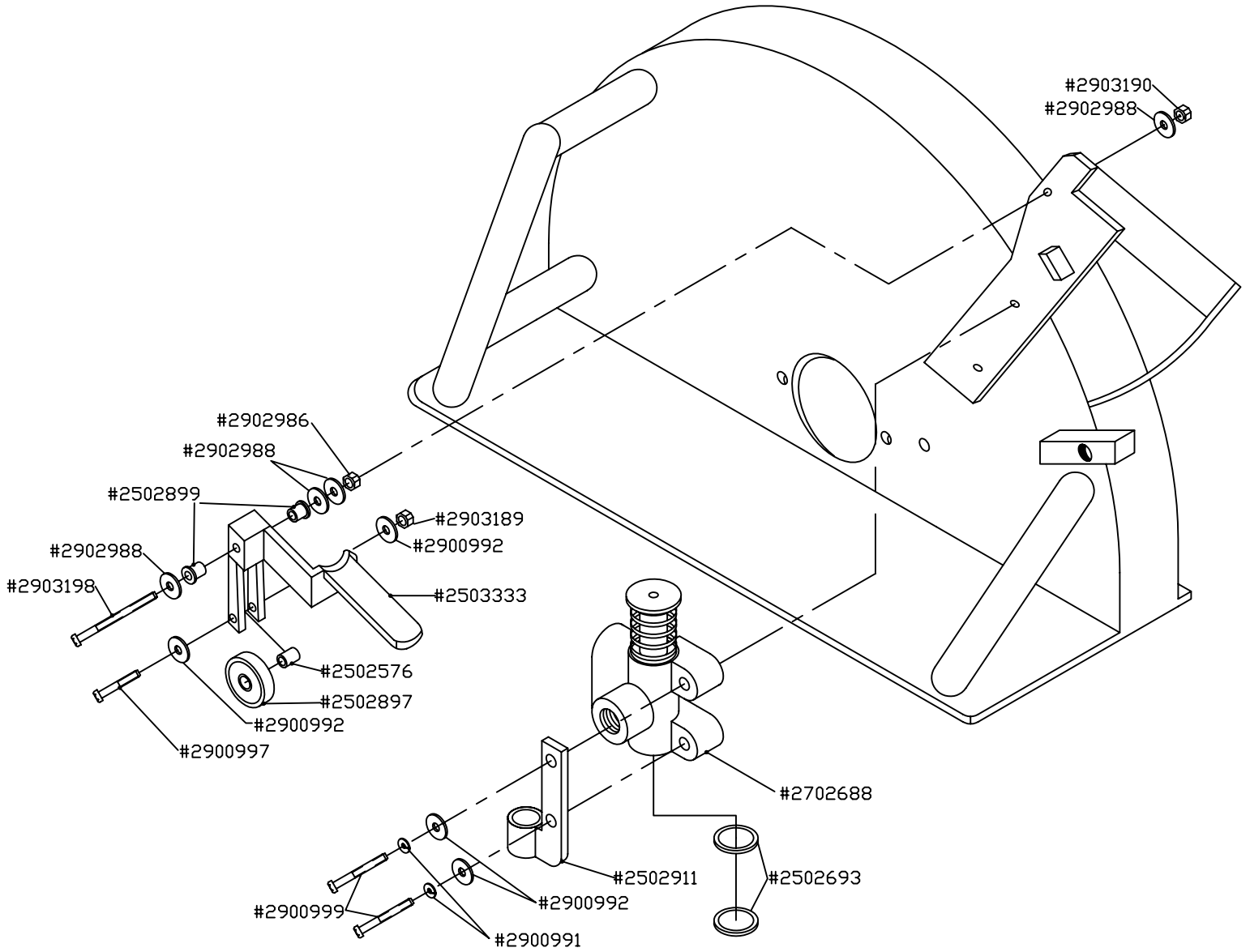
HAND SAW PARTS LIST DRAWING #1

| Part Number | Description | Qty. Required |
|-------------|-----------------------|---------------|
| 2501494 | LD Seal | 1 |
| 2501628 | Bearing | 2 |
| 2501629 | Race | 2 |
| 2501630 | Shaft Seal | 1 |
| 2502507 | 20" Frame Only | 1 |
| 2502546 | Housing | 1 |
| 2502563 | Backing Ring | 1 |
| 2502573 | Inner Collar | 1 |
| 2502574 | Outer Collar | 1 |
| 2502908 | 1/4" Water Way Tubing | 2 |
| 2502909 | 1/4" Red Water Hose | 1 |
| 2502910 | Water Valve | 1 |
| 2502912 | Shear Pin | 1 |
| 2502914 | Clamp Water Tube | 3 |
| 2502934 | Washer | 1 |
| 2502936 | Female Elbow | 1 |
| 2502938 | Brass Nipple | 1 |
| 2601642 | 15 GPM Motor | 1 |
| 2601682 | 8 GPM Motor | 1 |
| 2601683 | 12 GPM Motor | 1 |
| 2702947 | Inner Collar Key | 1 |
| 2703023 | Grease Fitting | 1 |
| 2902961 | Stover Half Nut | 1 |
| 2902962 | BS Nut LH Thread | 1 |
| 2903040 | Carriage Bolt | 2 |
| 2903191 | Nylock Nut | 2 |
| 3200669 | 1/4" Hose Barb | 1 |
| 3201276 | Compression Fitting | 2 |

HAND SAW PARTS LIST DRAWING #2

| Part Number | Description | Qty. Required |
|-------------|-----------------------|---------------|
| 2502576 | Straight Bushing | 1 |
| 2502693 | Quad Seal | 2 |
| 2502897 | Bearing 202 | 1 |
| 2502899 | Flange Bushing | 2 |
| 2502911 | Valve Cap | 1 |
| 2503333 | Trigger | 1 |
| 2702688 | Metro Valve | 1 |
| 2900991 | 1/4" Lock Washers | 2 |
| 2900992 | 1/4" Flat Washers | 2 |
| 2900997 | 1/4-20 X 1 1/2" Bolt | 1 |
| 2900999 | 1/4-20 x 2" Bolt | 2 |
| 2902986 | 5/16-18 Nut | 1 |
| 2902988 | 5/16" Flat Washer | 3 |
| 2903189 | 1/4-20 Nylock | 1 |
| 2903190 | 5/16-18 Nylock | 1 |
| 2903198 | 5/16-18 x 3 1/2" Bolt | 1 |

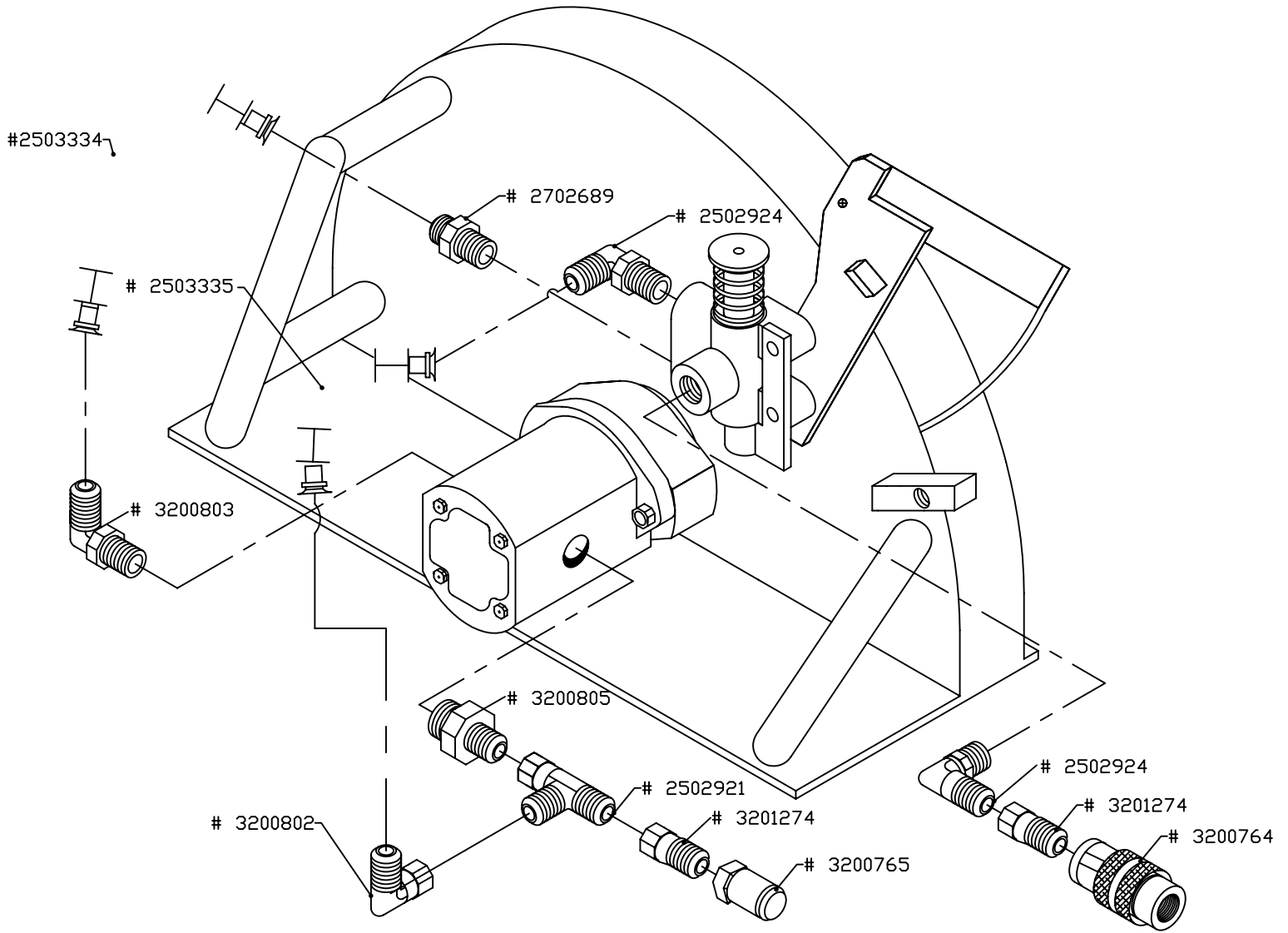
Drawing #2



HAND SAW PARTS LIST DRAWING #3

| Part Number | Description | Qty. Required |
|-------------|---------------------|---------------|
| 2502921 | Fitting | 1 |
| 2502924 | Fitting | 2 |
| 2503334 | Tube Assembly | 1 |
| 2503335 | Tube Assembly | 1 |
| 2702689 | Fitting | 1 |
| 3200764 | Female QD | 1 |
| 3200765 | Male QD | 1 |
| 3200802 | Fitting | 1 |
| 3200803 | Fitting | 1 |
| 3200805 | Fitting | 1 |
| 3201274 | 1/2" Swivel Fitting | 2 |

Drawing #3



EQUIPMENT AND PARTS WARRANTY

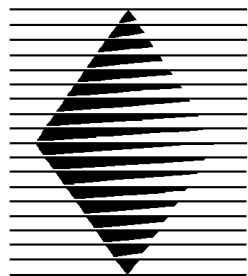
Diamond Products warrants all equipment manufactured by it against defects in workmanship or materials for a period of one (1) year from the date of shipment to Customer.

The responsibility of Diamond Products under this Warranty is limited to replacement or repair of defective parts at Diamond Products' Elyria, Ohio factory, or at a point designated by it, of such parts as shall appear to us upon inspection at such parts, to have been defective in material or workmanship, with expense for transportation and labor borne by Customer.

In no event shall Diamond Products be liable for consequential or incidental damages arising out of the failure of any Product to operate properly.

Integral units such as engines, electric motors, batteries, transmissions, etc., are excluded from this Warranty and are subject to the prime manufacturer's warranty.

THIS WARRANTY IS IN LIEU OF ALL OTHER WARRANTIES, EXPRESSED OR IMPLIED, AND ALL SUCH OTHER WARRANTIES ARE HEREBY DISCLAIMED.



DIAMOND PRODUCTS

333 Prospect Street, Elyria, Ohio 44035
(440) 323-4616 • (800) 321-5336 • Fax (440) 323-8689

www.diamondproducts.com