

**DIAMOND**

**PRODUCTS**

**SPECIALTY EQUIPMENT  
MANUFACTURING DIVISION**

Hydraulic Hand Saw

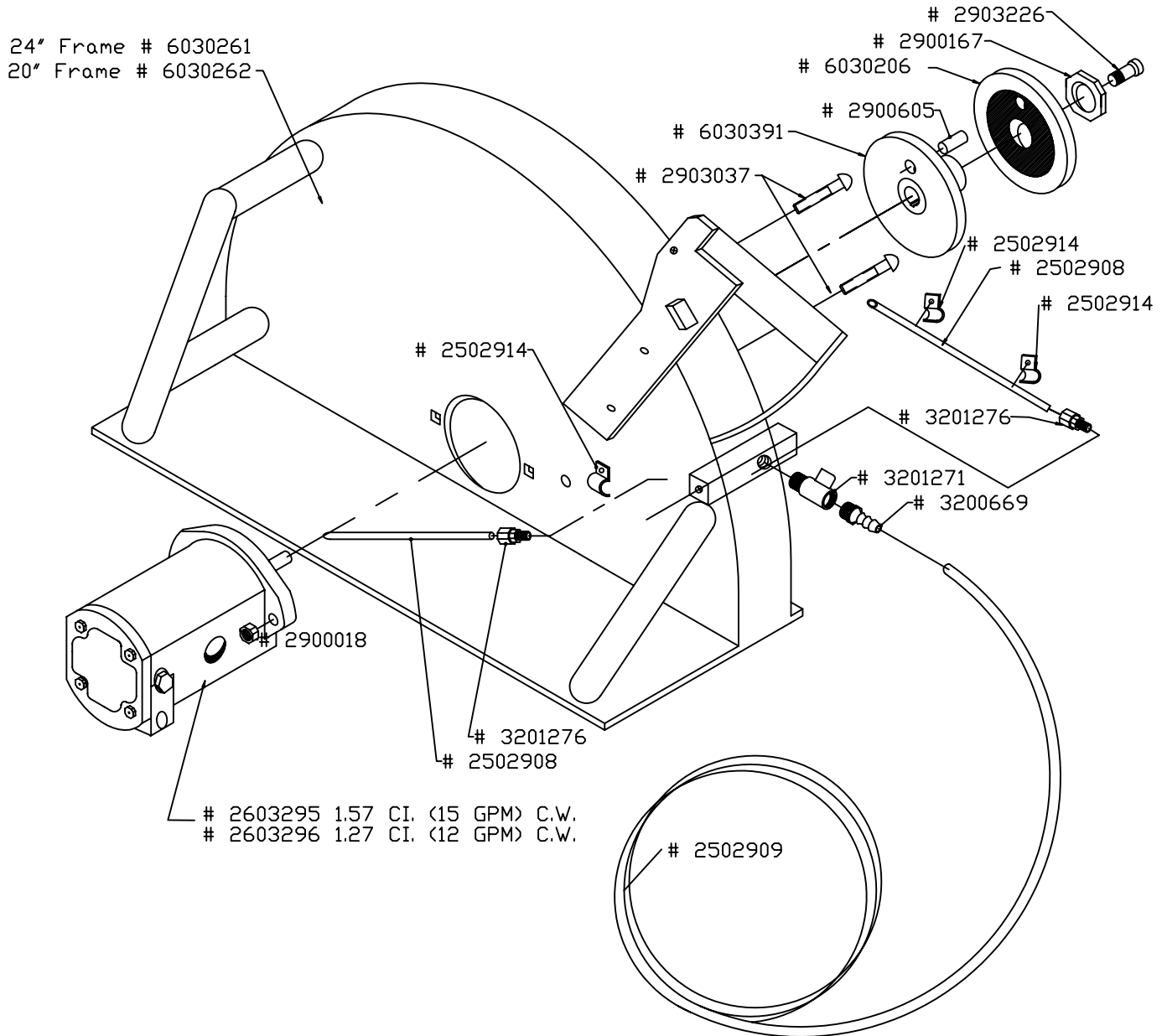
(CW)

PARTS LIST

January 2007

Part #1801030

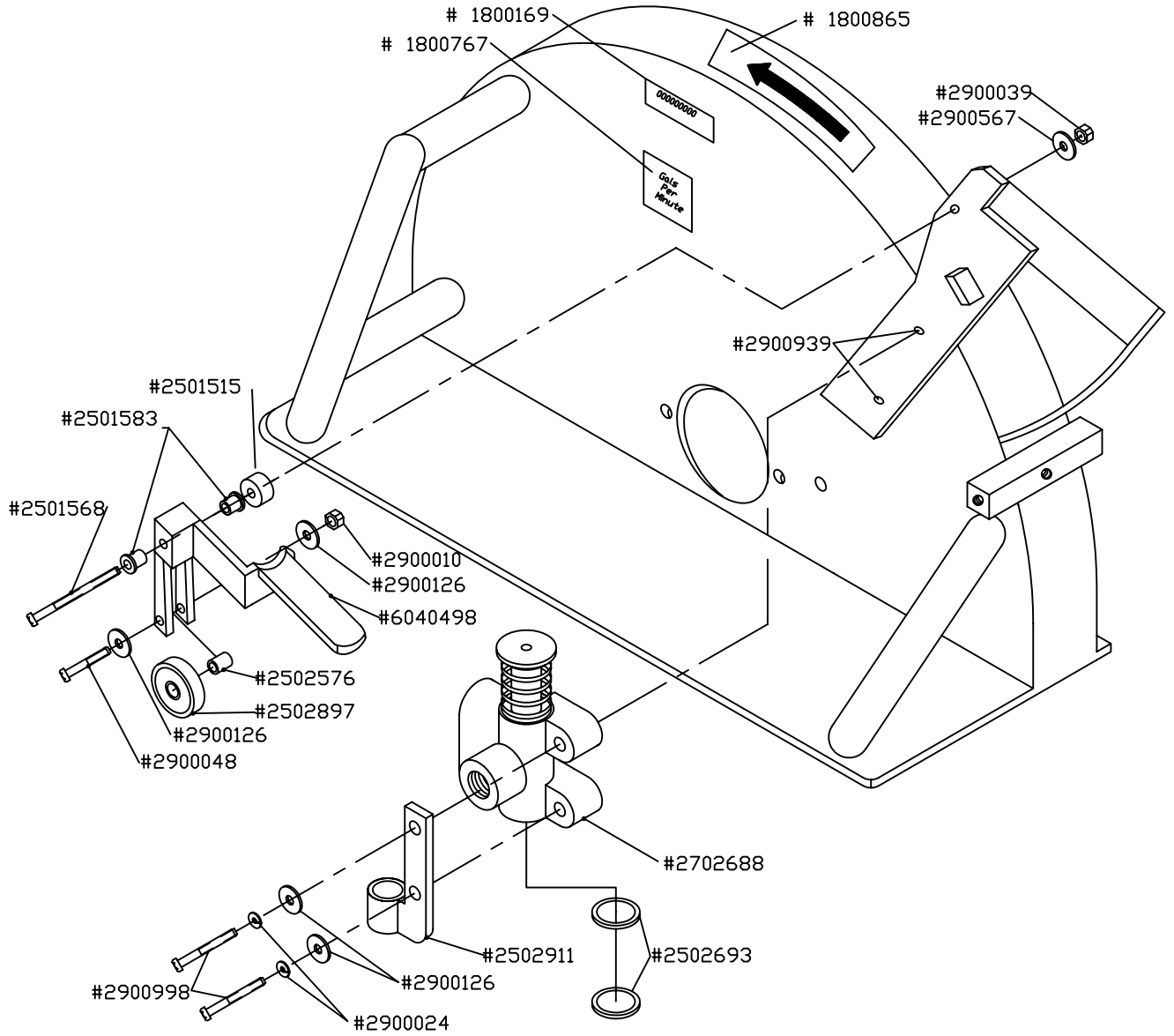
# Drawing #1



## HAND SAW (CW) PARTS LIST DRAWING #1

Part Number	Qty. Required	Description
2502908	2	Water Way Tubing
2502909	1	Water Hose
2502914	3	Clamp
2603295	1	15GPM Motor
2603296	1	12GPM Motor
2900018	1	Lock Nut
2900167	1	Jam Nut
2900605	1	Dowel Pin
2903037	1	Carriage Bolt
2903226	1	Cap Screw
3200669	1	Hose Barb
3201271	1	Water Valve
3201276	2	Fitting
6030206	1	Outer Flange
6030261	1	24" Hand Saw Frame
6030262	1	20" Hand Saw Frame
6030391	1	Inner Hub & Shaft

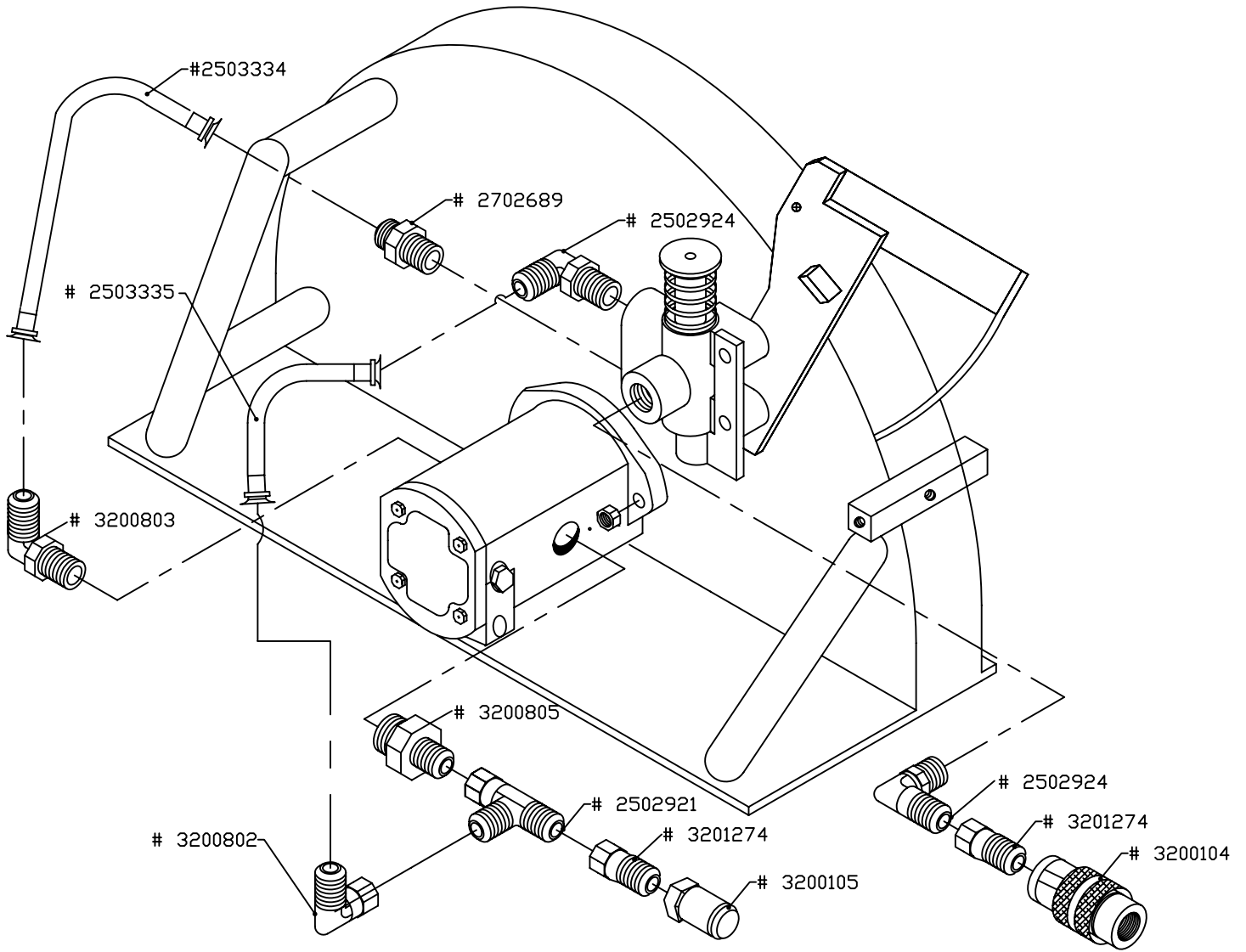
Drawing #2



## HAND SAW (CW) PARTS LIST DRAWING #2

Part Number	Qty. Required	Description
1800169	1	Serial Number Plate
1800767	1	Warning Label
1800865	1	Rotation Label
2501515	1	Bushing
2501568	1	Pivot Bolt
2501583	1	Bearing
2502576	1	Bushing
2502693	2	Quad Seal Rings
2502897	1	Trigger Bearing
2502911	1	Valve Cap
2702688	1	Metro Valve
2900010	1	Lock Nut
2900024	1	Lock Washer
2900039	1	Lock Nut
2900048	1	Capscrew
2900126	3	Flat Washer
2900567	1	Flat Washer
2900939	2	Helicoil
2900998	1	Capscrew
6040498	1	Hand Saw Trigger

Drawing #3



**HAND SAW (CW) PARTS LIST  
DRAWING #3**

<b>Part Number</b>	<b>Qty. Required</b>	<b>Description</b>
2502921	1	Fitting
2502924	2	Fitting
2503334	1	Tube Assembly
2503335	1	Tube Assembly
2702689	1	Fitting
3200104	1	QD Coupler
3200105	1	QD Nipple
3200802	1	Fitting
3200803	1	Fitting
3200805	1	Fitting
3201274	2	Fitting

## **EQUIPMENT AND PARTS WARRANTY**

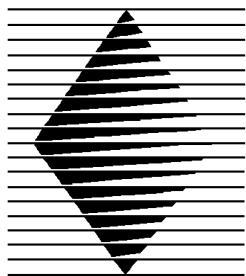
Diamond Products warrants all equipment manufactured by it against defects in workmanship or materials for a period of one (1) year from the date of shipment to Customer.

The responsibility of Diamond Products under this Warranty is limited to replacement or repair of defective parts at Diamond Products' Elyria, Ohio factory, or at a point designated by it, of such parts as shall appear to us upon inspection at such parts, to have been defective in material or workmanship, with expense for transportation and labor borne by Customer.

In no event shall Diamond Products be liable for consequential or incidental damages arising out of the failure of any Product to operate properly.

Integral units such as engines, electric motors, batteries, transmissions, etc., are excluded from this Warranty and are subject to the prime manufacturer's warranty.

**THIS WARRANTY IS IN LIEU OF ALL OTHER WARRANTIES, EXPRESSED OR IMPLIED, AND ALL SUCH OTHER WARRANTIES ARE HEREBY DISCLAIMED.**



# **DIAMOND PRODUCTS**

333 Prospect Street, Elyria, Ohio 44035  
(440) 323-4616 • (800) 321-5336 • Fax (440) 323-8689

[www.diamondproducts.com](http://www.diamondproducts.com)