

DIAMOND PRODUCTS

**SPECIALTY EQUIPMENT
MANUFACTURING DIVISION**

Hydraulic Hand Saw

Flush Cut

Parts List

Models:

HS-20-F

HS-24-F

(March 2011)

Part #1801718

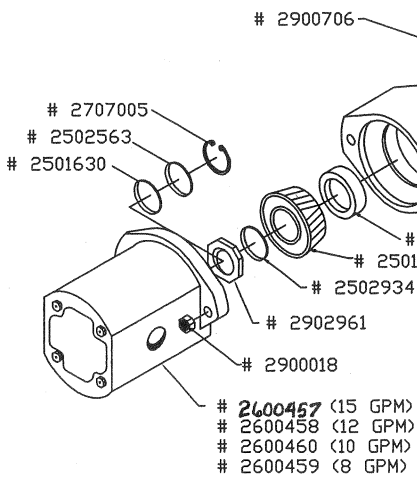
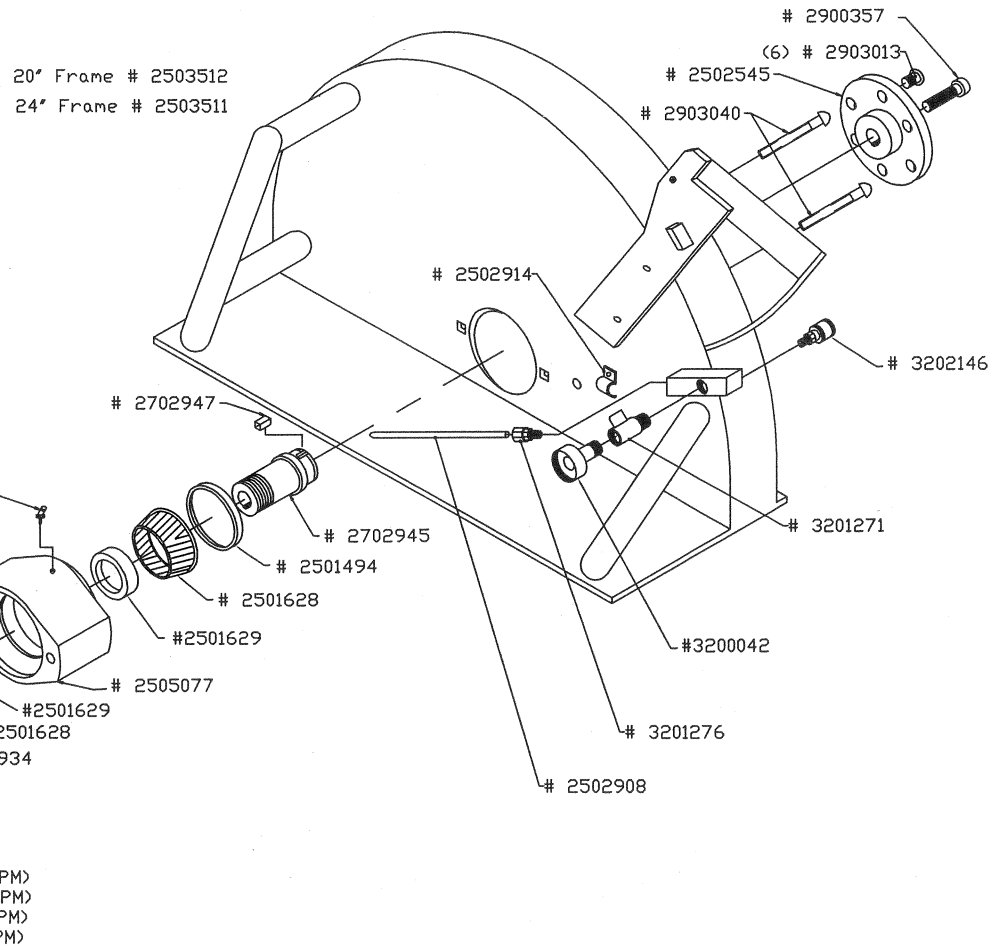
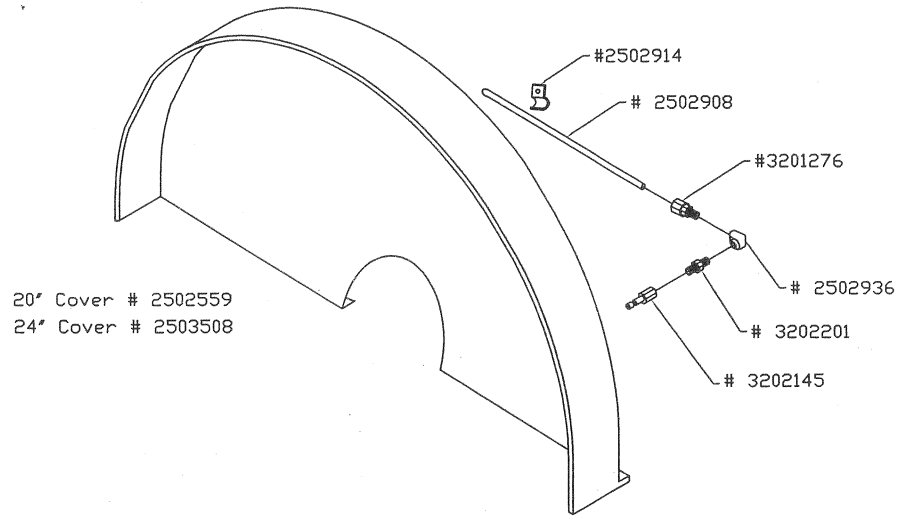
HAND SAW PARTS LIST DRAWING #1

Part Number	Description	Qty. Required
2501494	Seal	1
2501628	Bearing	2
2501629	Bearing Race	2
2501630	Seal, Hyd Motor Casappa	1
2502545	Flush Cut Hub	1
2502559	20" Cover	1
2502563	Ring, Seal Hyd Motor	1
2502908	HS Water Way Tubing 1"	2
2502914	HS Clamp	2
2502934	HS 1" Washer	1
2502936	HS Fitting	1
2503508	24" Cover	1
2503511	24" Frame	1
2503512	20" Frame	1
2505077	Alum Housing FC Handsaw	1
2600458	Casappa HS Motor 1.27CI	1
2600459	Casappa HS Motor .87CI	1
2600460	Casappa HS Motor 1.01CI	1
2600457	Casappa HS Motor 1.57CI	1
2702945	Flush Cut Shaft	1
2702947	Key	1
2707005	Snap Ring	1
2900018	Lock Nut	2
2900357	Socket Head Cap Screw	1
2900706	Grease Fitting	1
2902961	Half Locknut Right Hand	1
2903013	Flat Head	6
2903040	Carriage Bolt	2
3200042	WaterFitting	1
3201271	Water Valve	1
3201276	Compress Fitting	2
3202145	Air Push Connect	1
3202146	Air Push Connect	1
3202201	Hex Nipple	1

SEAL KITS AND RELATED PARTS

2501630	SHAFT SEAL ONLY	1
2502563	SHAFT SEAL SPACER	1
2502933	SEAL KIT	1
2503336	MOTOR KEY	1
2707005	SNAP RING FOR SHAFT SEAL	1
6040437	COMPLETE BEARING ASSEMBLY	1

Drawing #1



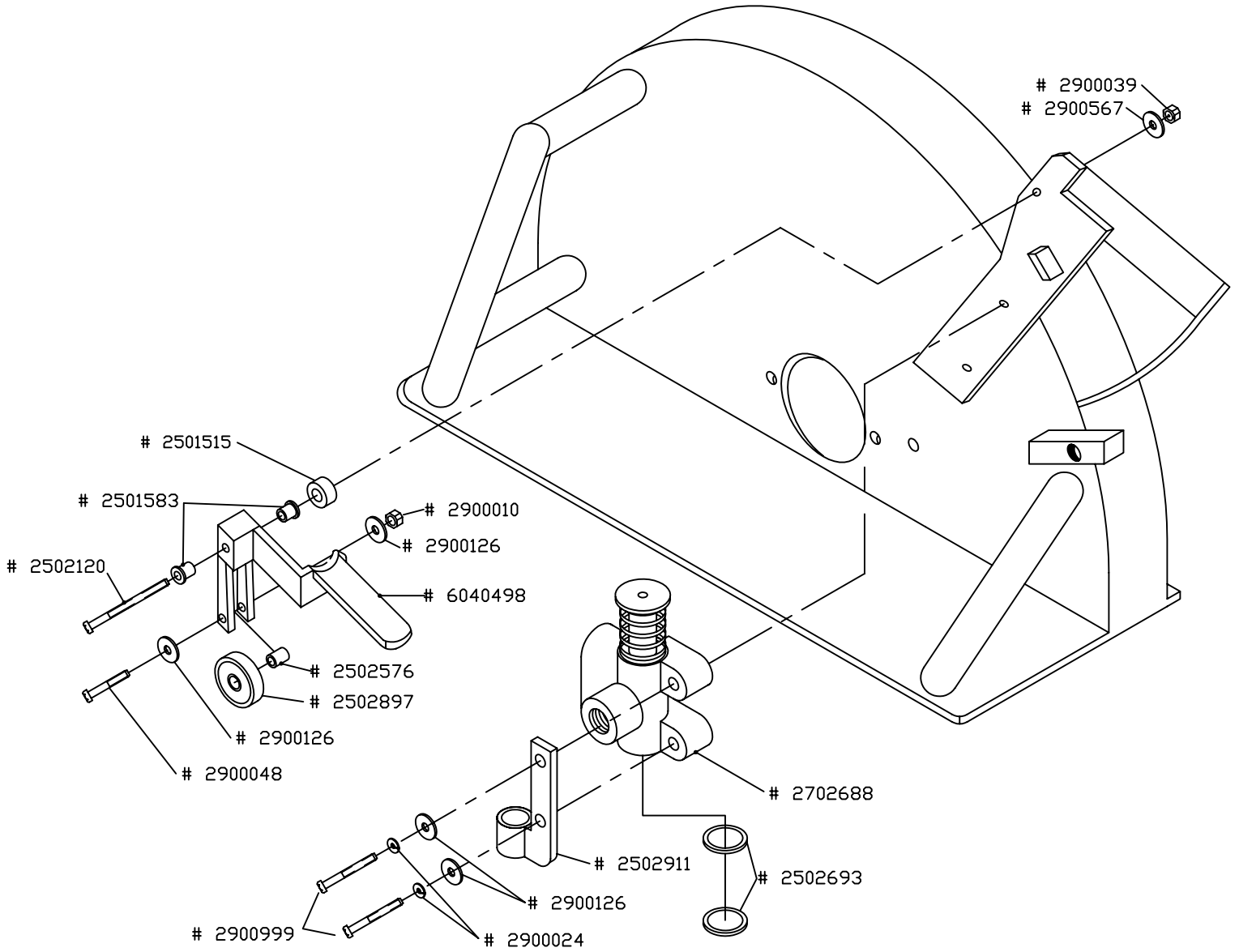
HAND SAW PARTS LIST DRAWING #2

Part Number	Description	Qty. Required
2501515	Bushing	1
2501583	Bearing Flange	2
2502120	Pivot Bolt	1
2502576	Sleeve Bushing	1
2502693	HS Quad Seal Rings	2
2502897	HS Bearing (Trigger)	1
2502911	HS Valve Cap	1
2702688	Metro Valve	1
2900010	Lock Nut	1
2900024	Lock Washer, Split	2
2900039	Lock Nut	1
2900048	Hex Capscrew	1
2900126	Flat Washer	4
2900567	Flat Washer	1
2900999	Cap Screw	2
6040498	Trigger	1

SEAL KITS

2502693	V SEAL FOR METRO VALVE	2
---------	------------------------	---

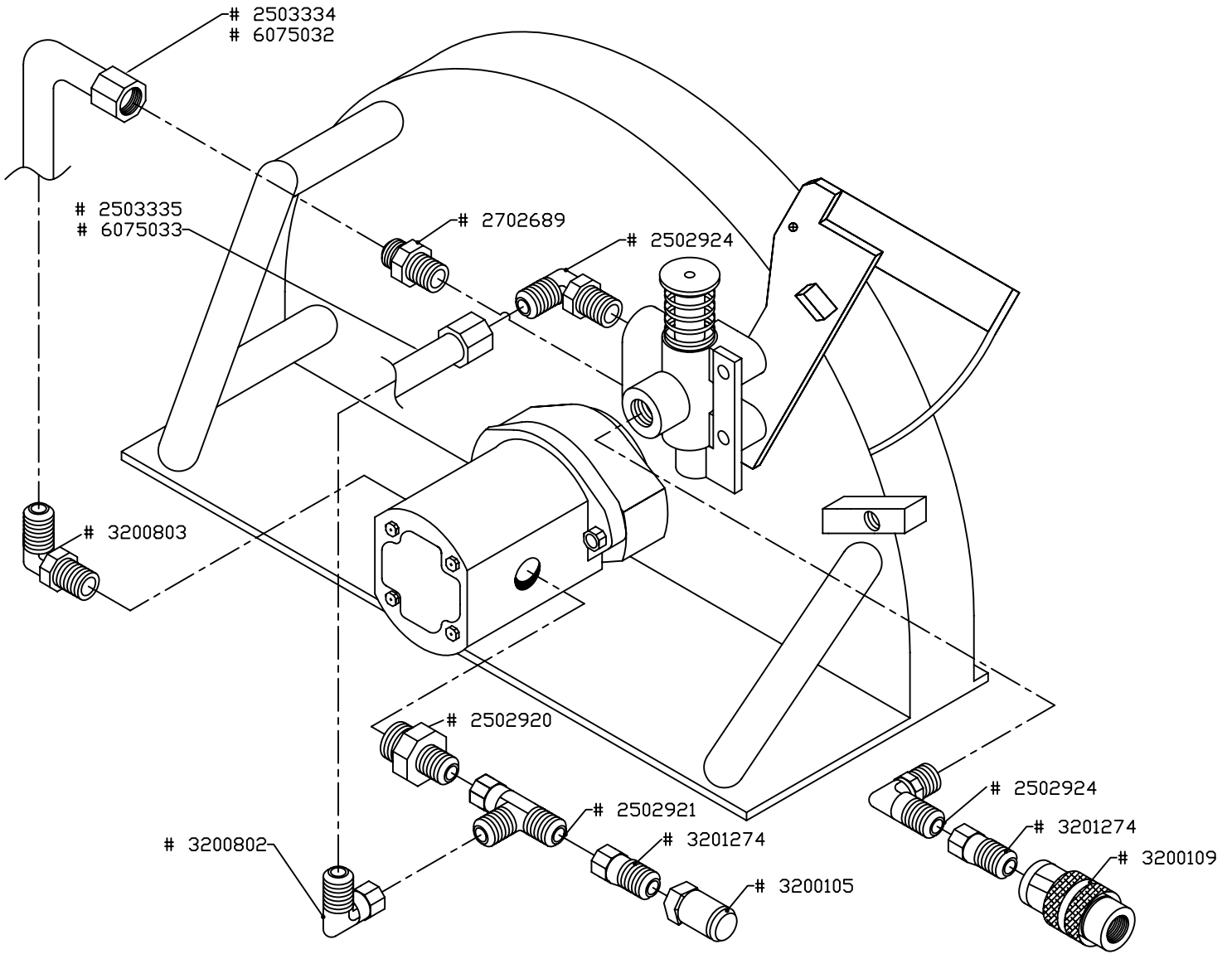
Drawing #2



HAND SAW PARTS LIST DRAWING #3

Part Number	Description	Qty. Required
2502920	Fitting	1
2502921	Fitting	1
2502924	Fitting	2
2503334	Front Tubing Assembly 20" Saw	1
2503335	Rear Tubing Assembly 20" Saw	1
2702689	Fitting / Motor	1
3200105	Male QD	1
3200109	Female QD	1
3200802	Fitting	1
3200803	Fitting	1
3201274	Fitting	2
6075032	Front Tube Assembly 24" Saw	1
6075033	Rear Tube Assembly 24" Saw	1

Drawing #3



EQUIPMENT AND PARTS WARRANTY

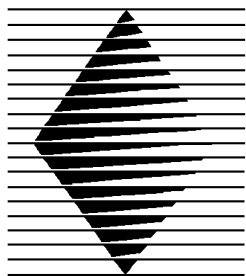
Diamond Products warrants all equipment manufactured by it against defects in workmanship or materials for a period of one (1) year from the date of shipment to Customer.

The responsibility of Diamond Products under this Warranty is limited to replacement or repair of defective parts at Diamond Products' Elyria, Ohio factory, or at a point designated by it, of such parts as shall appear to us upon inspection at such parts, to have been defective in material or workmanship, with expense for transportation and labor borne by Customer.

In no event shall Diamond Products be liable for consequential or incidental damages arising out of the failure of any Product to operate properly.

Integral units such as engines, electric motors, batteries, transmissions, etc., are excluded from this Warranty and are subject to the prime manufacturer's warranty.

THIS WARRANTY IS IN LIEU OF ALL OTHER WARRANTIES, EXPRESSED OR IMPLIED, AND ALL SUCH OTHER WARRANTIES ARE HEREBY DISCLAIMED.



DIAMOND PRODUCTS

333 Prospect Street, Elyria, Ohio 44035
(440) 323-4616 • (800) 321-5336 • Fax (440) 323-8689
www.diamondproducts.com