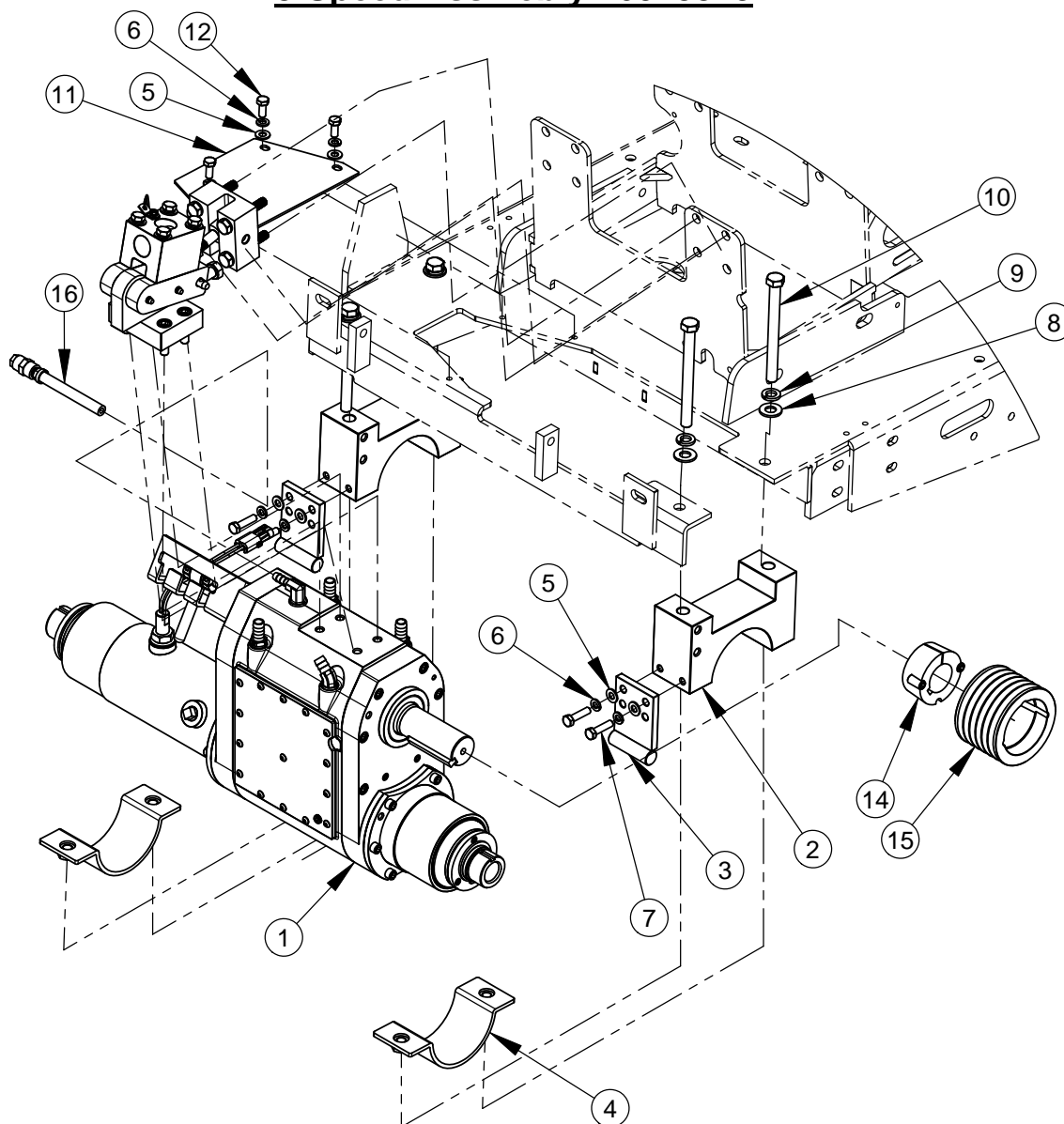


3-Speed Assmeby #6045379



ITEM	PART NO.	QTY.	DESCRIPTION
1	6018074	1	DP-3 3 Speed Transmission
2	6045363	2	Clamp Block
3	6045368	2	Skid Plate
4	6045364	2	Clamp Mounting
5	2900022	7	Flat Washer, 5/16" SAE
6	2900031	7	Lock Washer, 5/16" Split
7	2900217	4	Cap Screw, Hex Hd., 5/16-18 x 1-1/4"
8	2900058	4	Flat Washer, 1/2" SAE
9	2900084	4	Lock Washer, 1/2" Split
10	2900466	4	Cap Screw, Hex Hd., 1/2-13 x 5-1/2"
11	6045369	1	Frame Cover
12	2900019	3	Cap Screw, Hex Hd., 5/16-18 x 3/4"
13	6045399	1	Over-Center Tension
14	2503811	1	2012x1-1/2" Tapered Bushing Asm
15	6045158	1	Sheave, 4.00-3V-6 Groove, 2012
16	6018217	1	Vent Tube Assembly