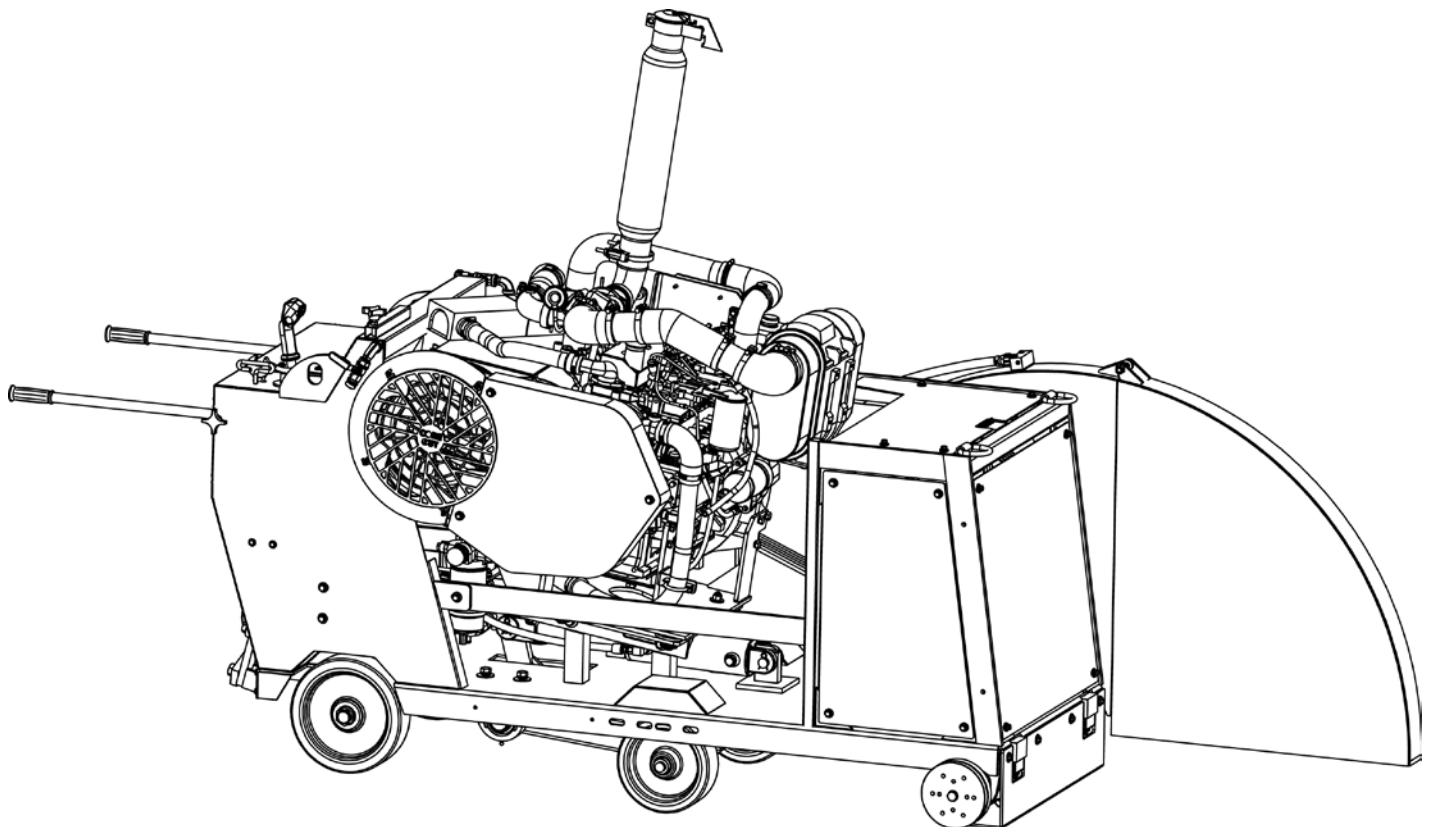


**DIAMOND
PRODUCTS**

**CC-110D-DC High Powered Saw
(5801403-5801404-5801405-5801406)**



PARTS MANUAL

MAY 2015

PART NUMBER 1803051

WWW.DIAMONDPRODUCTS.COM

Saw Specifications.....	1	Blade Collar Assembly	21
Blade Flange.....	2	Blade & Jackshaft Assemblies	22
Recommended Blade Speed.....	3	Battery Assembly.....	23
Dash Upright Assembly	4	Chain Guard Assembly	24
Dash Panel Assembly.....	5	Hydrostatic Transmission Assembly (Complete)	25-26
Parking Brake Assembly.....	6	Hydrostatic Transmission Assembly	27
Drive Lever Assembly.....	7-8	Hydrostatic Transaxle Transmission Assembly	28
Control Grip Assembly.....	9-10	Hydrostatic Transaxle Gearbox Assembly	29-30
Body Panels & Frame Assembly.....	11	Fuel Tank Assembly.....	31
Engine Assembly	12	Undercarriage Assembly	32
Engine Mount Assembly.....	13	Rear Axle Assembly.....	33
Engine Electrical Assembly	14	Splash Guard Assembly.....	34
Fan Assembly	15-16	Fifth Wheel Assembly.....	35-36
Air Intake Assembly	17	Blade Guard Assemblies.....	37-39
Exhaust Assembly	18	Quick Reference.....	40
Radiator/ CAC Assembly	19	Maintenance Records	41
Aux. Drive Assembly.....	20	Warranty.....	42

Unpacking

This machine was inspected and operated before shipment and should not require any additional adjustment prior to its initial use. However, in the unlikely event of damage during shipment, the operator is advised to check out the machine by following the instructions of this manual in operating each of the equipment subsystems.

Uncrate the equipment carefully to prevent damage. Follow the instructions contained in this manual for the assembly and installation of any component parts which may have been removed for shipping purposes.

Check each item making certain that all items are accounted for and in good visual condition before discarding any packing materials. If there is any damaged or missing parts call customer services on our toll free number:

1-800-321-5336.

Contents of Carton

1. Diamond Products CC-110D-DC High Powered Saw
2. Installed Blade Guard
3. Owners/Operators Manual
4. Cummins Engine Manual

Before Starting

This instruction manual describes the operating procedures, care, maintenance, adjustments and safety precautions for proper use of this machine. This equipment is intended for industrial applications by experience operators. It is to be operated in conformance with applicable federal, state and local codes or regulations pertaining to safety, air pollution, noise, etc.

IMPROPER USE OF THIS EQUIPMENT OR IMPROPER MACHINE ALTERATIONS MAY BE EXTREMELY DANGEROUS!

The operator is cautioned against using this machine before having read and fully understood the instructions presented in this manual and in the original manufacturer's instructions provided separately.

USER RESPONSIBILITIES

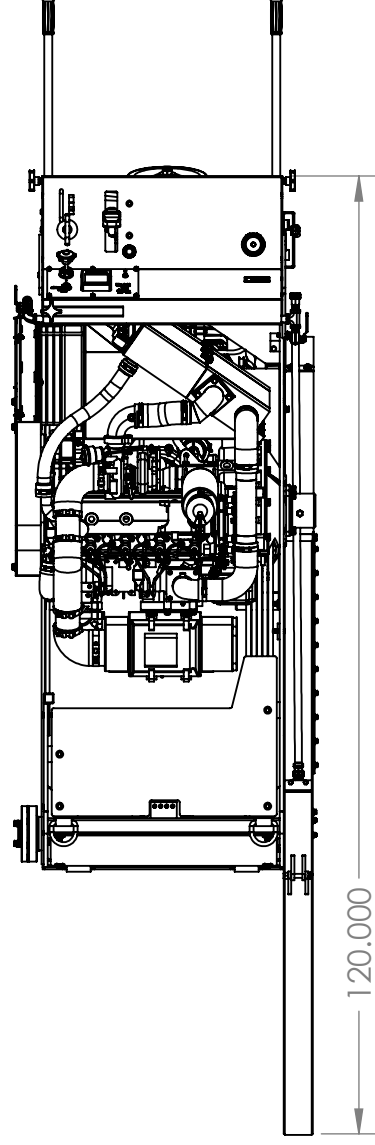
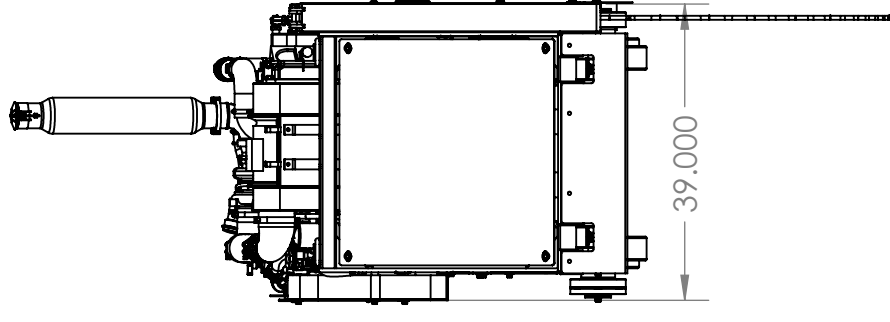
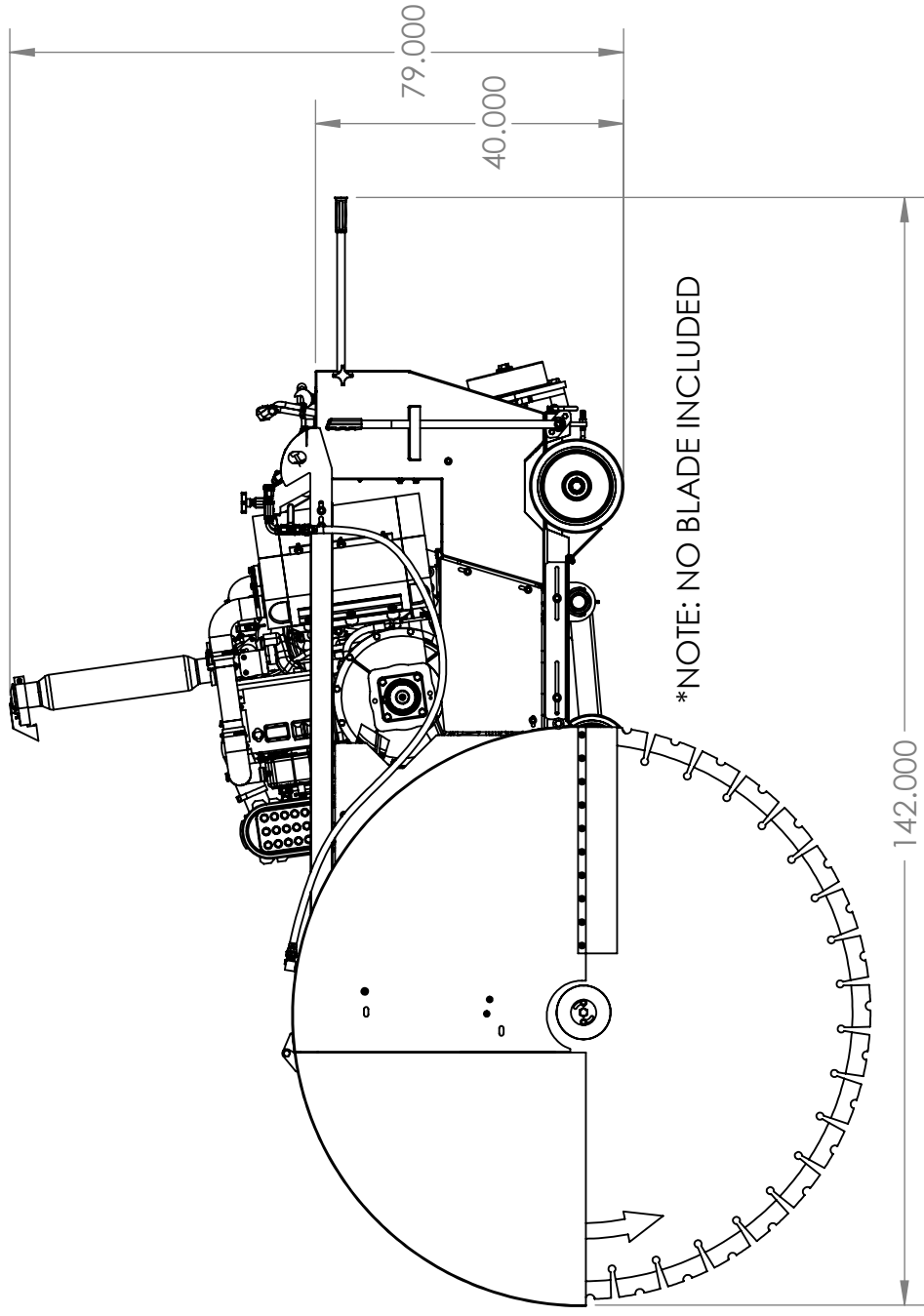
It is the operator's responsibility to use this machine under safe working conditions and to be fully aware of requirements for operator safety and safety of co-workers, observers and public at large. The operator must be aware of the machine's capabilities and limitations and follow the safety precautions in each section of this manual. Periodic maintenance is required, in accordance with instructions herein, to promote safe and reliable operation.

Care is to be taken by the operator to see that all of the safety features furnished with the machine are properly maintained and operational.

It is the responsibility of the operator to provide a safe working environment and to follow proper safety procedures when operating this equipment. Operators must use approved ear protection, safety hat, eye protectors, gloves, safety shoes and any other personal protective equipment required for compliance with standard safety practices or federal, state and local codes and regulations.

CC-110D High Powered Saw

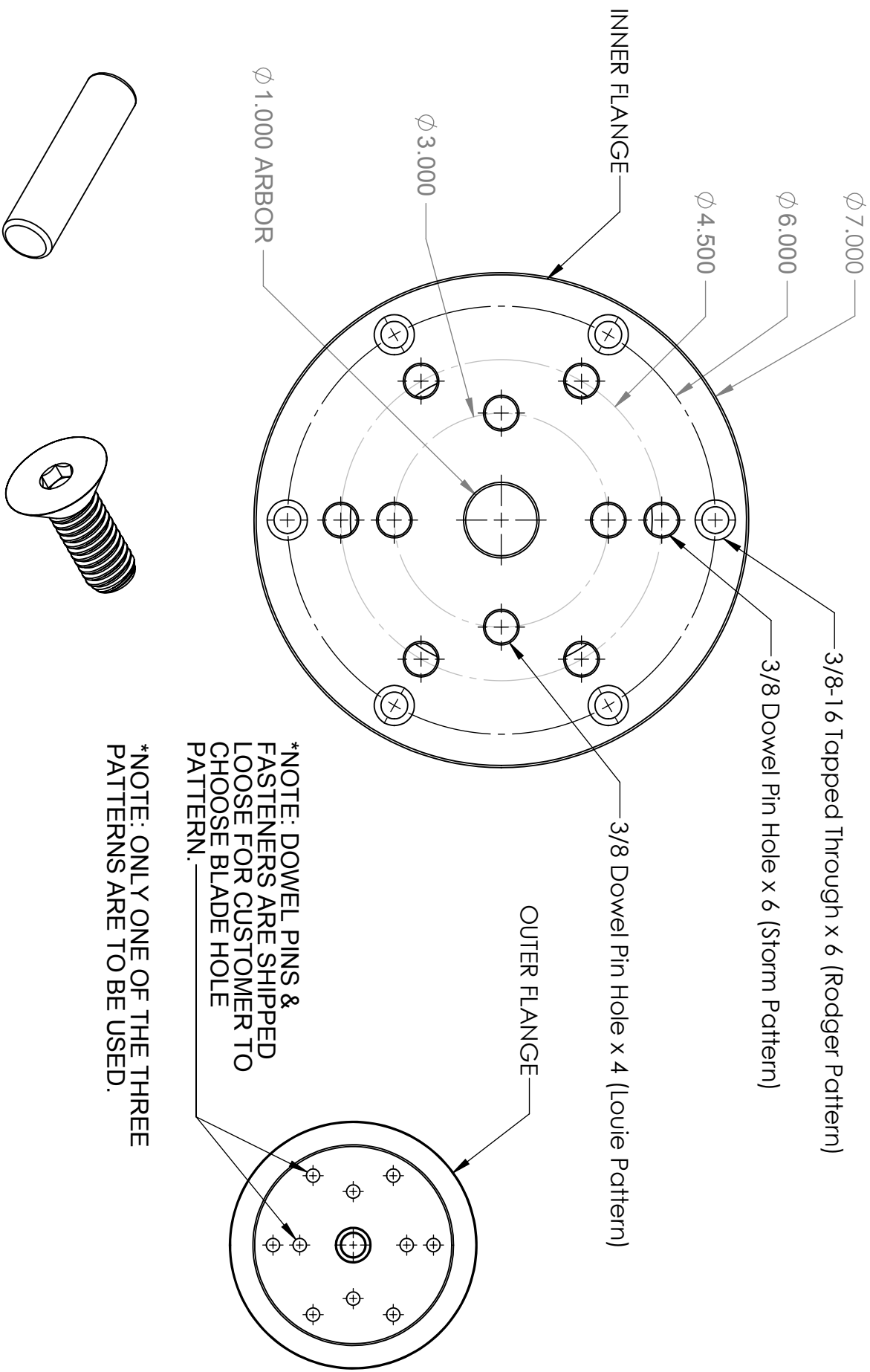
CC-110D-DC, 72.00" Blade Guard Equipped (5801406)



Engine	Cummins QSB3.3 110Hp Turbo Diesel
Max Blade Diameter	72.00"
Blade Flange	7.00" Diameter, 1.00" Arbor, 4 on 3.00" 3/8" Pin (Louie) 7.00" Diameter, 1.00" Arbor, 6 on 4.50" 3/8" Pin (Storm) 7.00" Diameter, 1.00" Arbor, 6 on 6.00" 3/8-16 Flat Head Socket Cap Screw (Rodger)
Blade Mount	Left & Right
Maximum Cutting Depth	32.50"
Hydraulics	Electro/Hydraulic Raise Lower & Fifth Wheel Assembly
Transmission	Hydrostatic DPI
Dimensions	L:142.00" W:39.00" H:79.00" Weight: 2550lbs

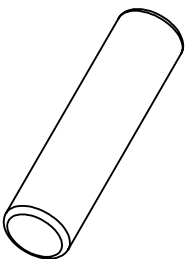
Blade Flange Pattern

CC-110D-DC (6017062 Inner 6017063 Outer)

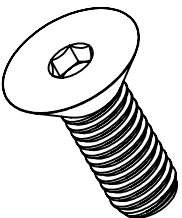


***NOTE: DOWEL PINS & FASTENERS ARE SHIPPED LOOSE FOR CUSTOMER TO CHOOSE BLADE HOLE PATTERN.**

***NOTE: ONLY ONE OF THE THREE PATTERNS ARE TO BE USED.**



3/8" x 1.50"
Dowel Pin (2903155)

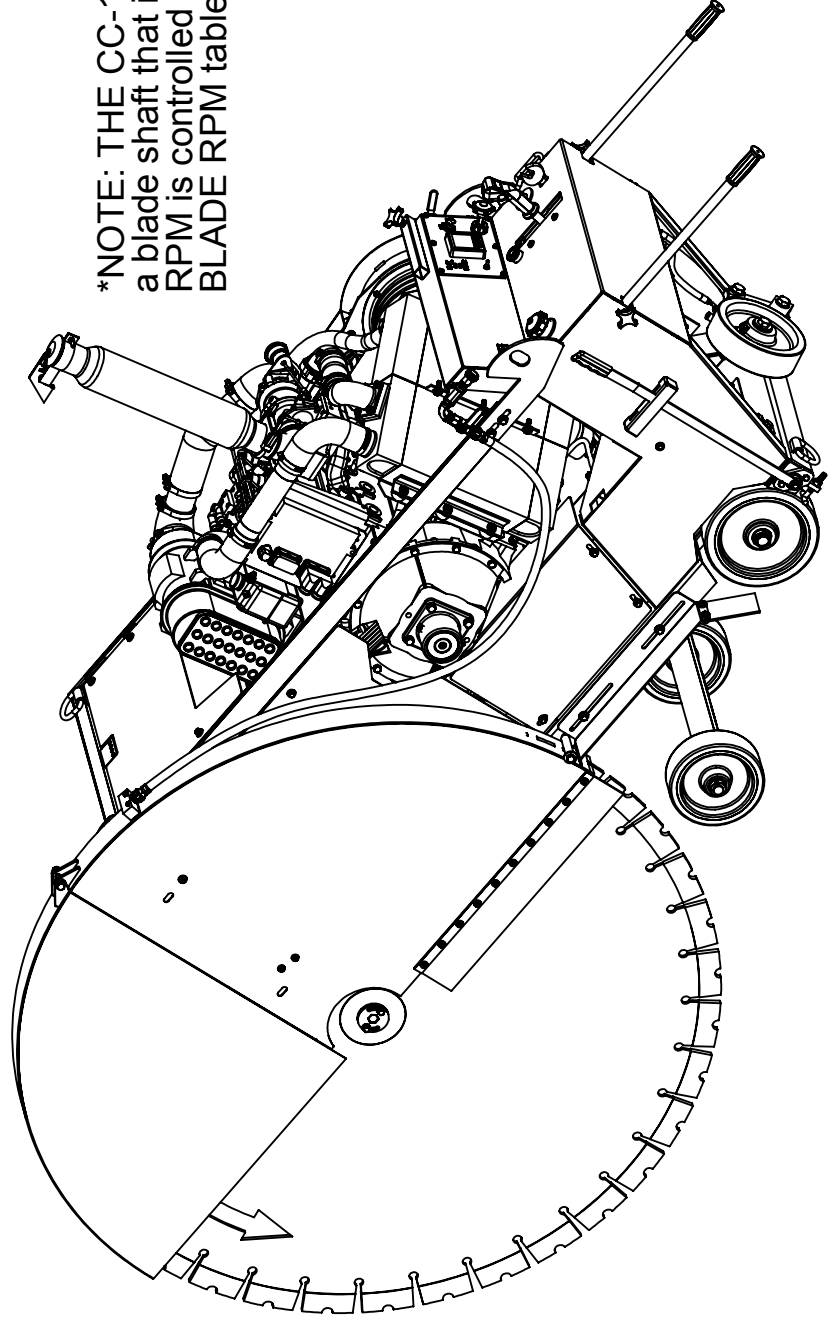


3/8-16 x 1.00
S.S. Flat Head Socket Cap Screw (2903052)

Blade Speeds

CC-110D-DC

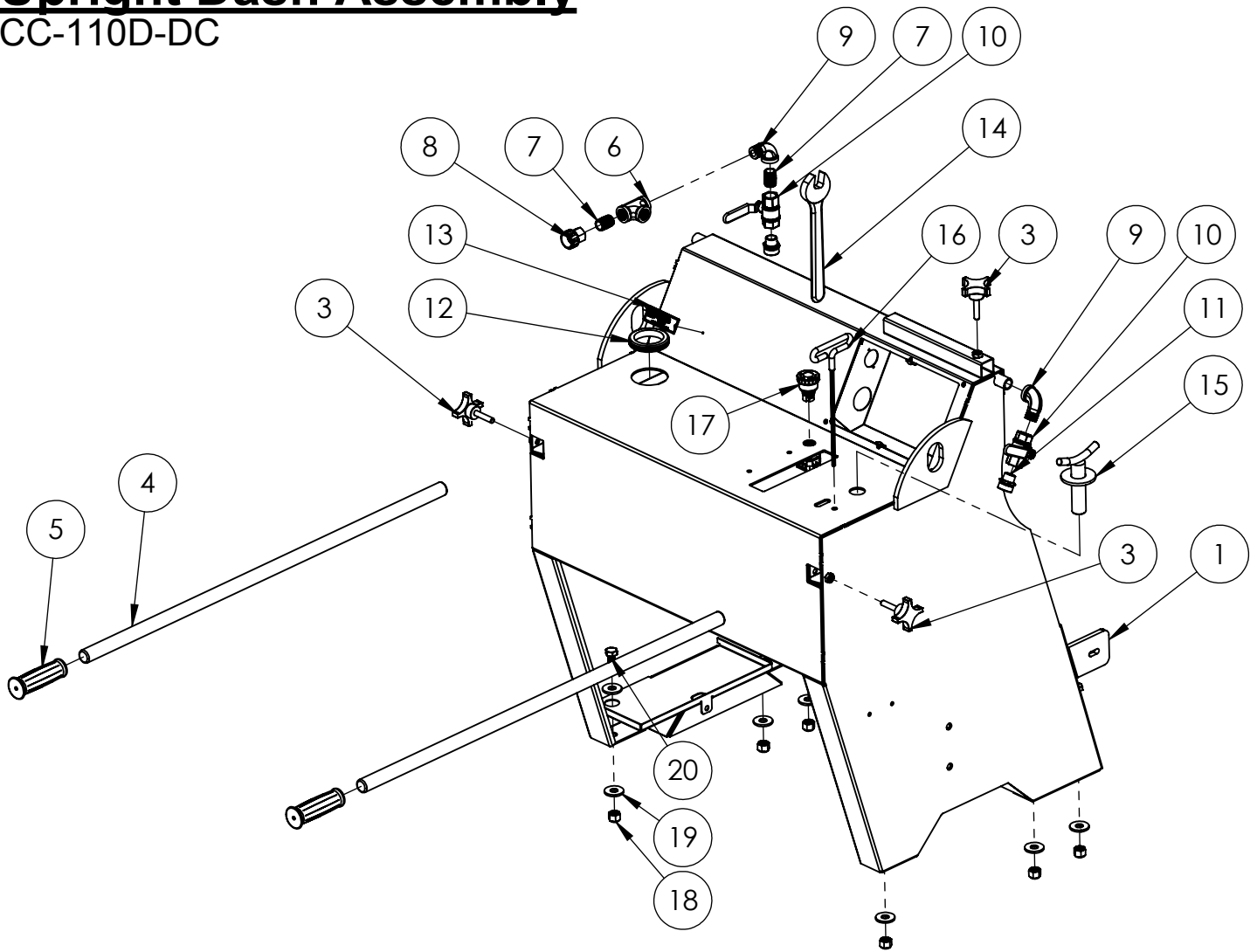
Blade Size	Engine RPM	Blade RPM	Maximum Cutting Depth
42.00"	2600	720	17.50"
48.00"	2600	720	20.50"
54.00"	2200	600	23.50"
60.00"	1950	540	26.50"
72.00"	1800	500	32.50"



*NOTE: THE CC-110D-DC High power saw is equipped with a blade shaft that is directly driven via the engine. Blade RPM is controlled by adjusting engine RPM. Reference BLADE RPM table for recommended engine RPM's.

Upright Dash Assembly

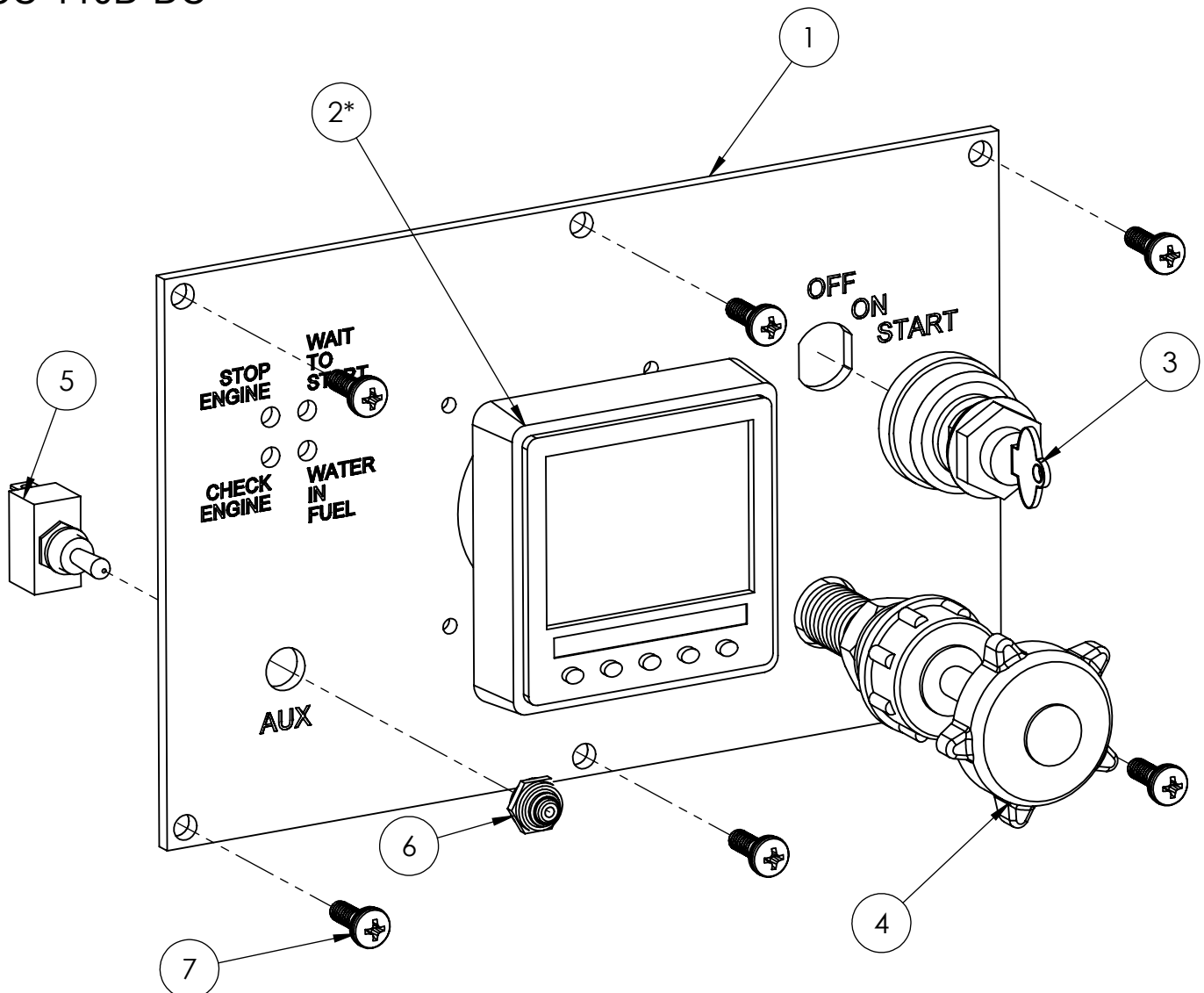
CC-110D-DC



ITEM NO.	PART NUMBER	DESCRIPTION	QTY.
1	2503533	CC-110D-DC Dash Upright	1
2	2708022	Vernier Throttle	1
3	2900234	Hand Lock Knob, 3/8"-16	3
4	6010014	Handle Bar, 36" Long	2
5	2500636	Handle Grip	2
6	3200045	Pipe Tee, 1/2" NPT	1
7	3200598	Close Nipple, 1/2" NPT, Brass	2
8	3200595	Fitting, 1/2" F. Pipe to 3/4" F. Garden	1
9	3200013	Street Elbow, 1/2" NPT	2
10	3200027	Water Valve	2
11	3200155	Fitting, 1/2" M. Pipe to 3/4" M. Garden	2
12	2500205	Fuel Tank Grommet	1
13	1800169	DP S/N Nameplate	1
14	2500211	Wrench, 15/16" Open End	1
15	6070592	Blade Centering Tool, CC-110D-DC	1
16	2903182	T-Handle Hex Key, 7/32"	1
17	2801367	E-Stop Switch	1
18	2900026	1/2-13 Nylon-Insert Hex Locknut	6
19	2900127	1/2" USS Flat Washer	12
20	2900499	1/2-13x1.50 HEX CAP SCREW	6

Dash Panel Assembly

CC-110D-DC



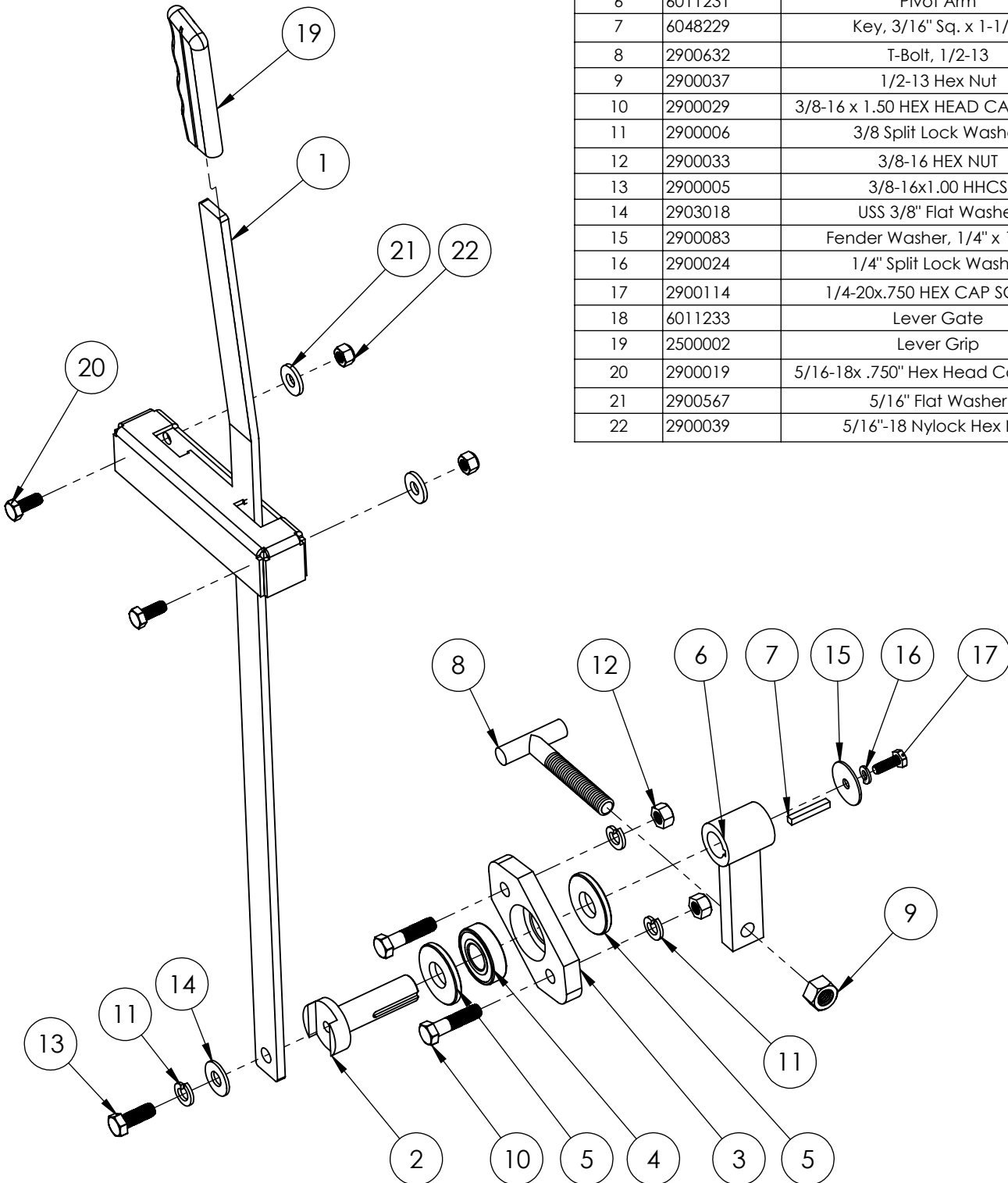
ITEM NO.	PART NUMBER	DESCRIPTION	QTY.
1	2506470	Dash Panel w/LED	1
2	2808084	CanVu Engine Monitor (Color Display)	1
3	2808043	Cummins Key Switch	1
4	2708022	Vernier Throttle	1
5	2802888	Switch, Toggle, 3- Position	1
6	2502690	Switch Boot	1
7	2902055	1/4-20 x 3/4 PHMS W/Washer	6
8	2808083	Dash Wiring Harness *Not Shown	1
9	2804526	Engine Wiring Harness *Not Shown	1

*NOTE: UNITS MAY BE EQUIPED WITH A B&W ENGINE MONITOR, THIS UNIT IS PART #2804518.

Parking Brake Assembly

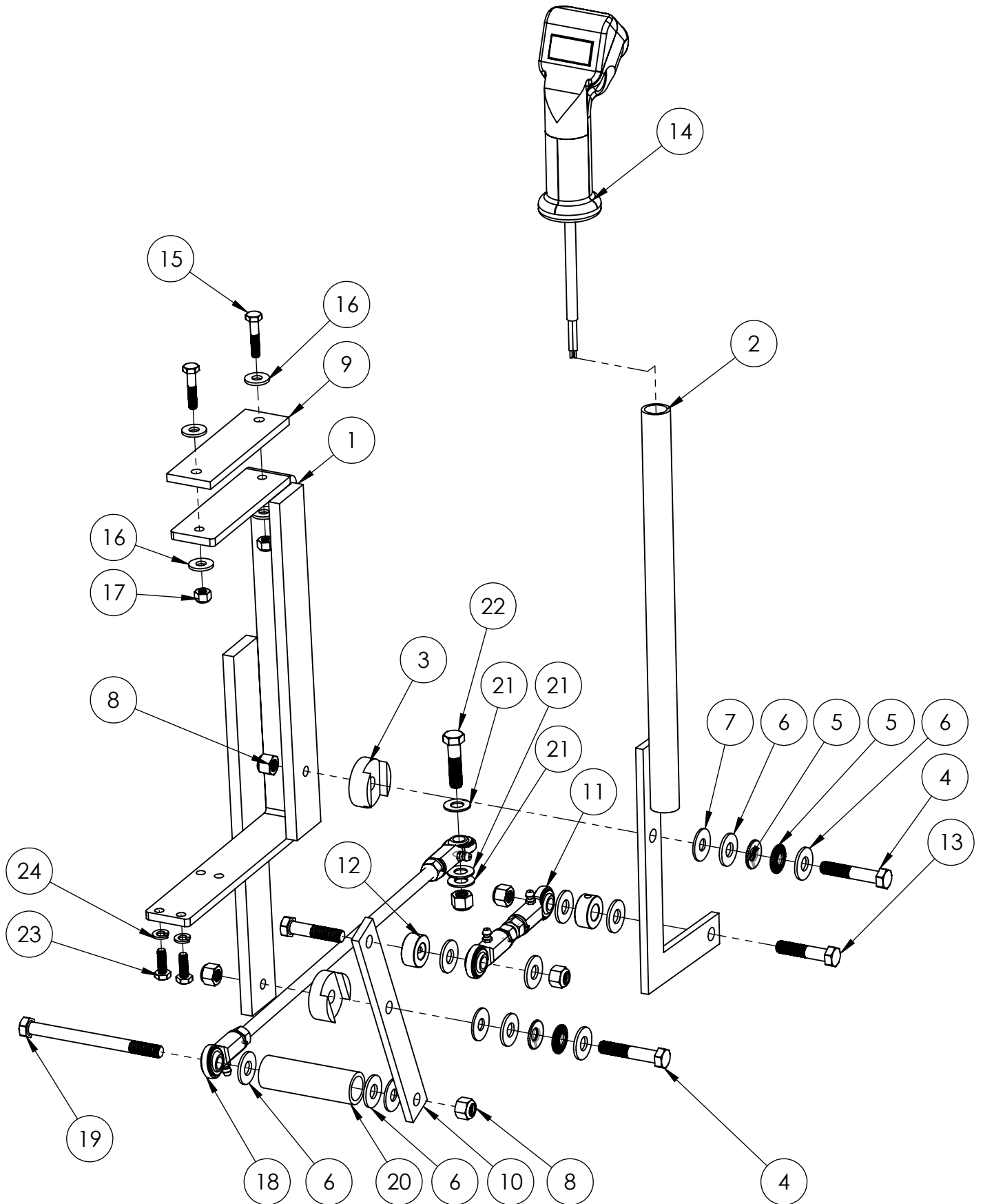
CC-110D-DC

ITEM NO.	PART NUMBER	DESCRIPTION	QTY.
1	6011232	Brake Lever	1
2	6011230	Pivot Pin	1
3	2502274	Bearing Housing Bar	1
4	2501664	Ball Bearing, 3/4" x 1-5/8" x 7/16"	1
5	2907067	Friction Disc, 3/4" x 2-1/2" x 3/16"	2
6	6011231	Pivot Arm	1
7	6048229	Key, 3/16" Sq. x 1-1/4"	1
8	2900632	T-Bolt, 1/2-13	1
9	2900037	1/2-13 Hex Nut	1
10	2900029	3/8-16 x 1.50 HEX HEAD CAP SCREW	2
11	2900006	3/8 Split Lock Washer	3
12	2900033	3/8-16 HEX NUT	2
13	2900005	3/8-16x1.00 HHCS	1
14	2903018	USS 3/8" Flat Washer	1
15	2900083	Fender Washer, 1/4" x 1-1/4"	1
16	2900024	1/4" Split Lock Washer	1
17	2900114	1/4-20x.750 HEX CAP SCREW	1
18	6011233	Lever Gate	1
19	2500002	Lever Grip	1
20	2900019	5/16-18x .750" Hex Head Cap Screw	2
21	2900567	5/16" Flat Washer	2
22	2900039	5/16"-18 Nylock Hex Nut	2



Drive Lever Assembly

CC-110D-DC



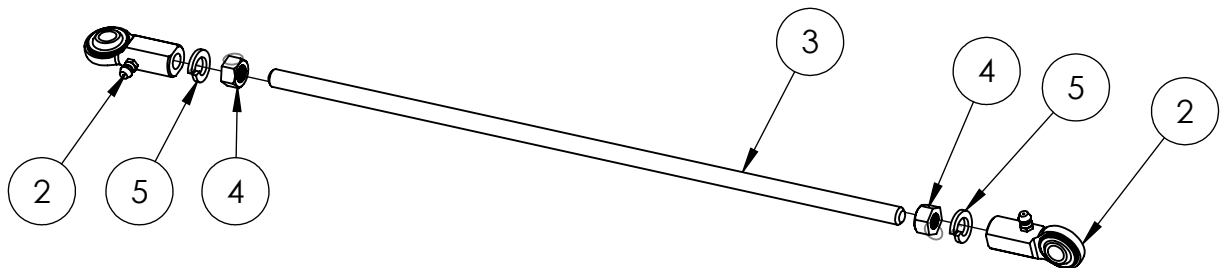
Drive Lever Assembly

CC-110D-DC

ITEM NO.	PART NUMBER	DESCRIPTION	QTY.
1	6010122	Lever Support Weldment	1
2	6070489	Speed Control Lever	1
3	6010055	Friction Spacer	2
4	2900060	3/8-16 x 2.00 HHCS (Grade 5)	2
5	2900474	3/8" Belleville Serrated Washer	4
6	2903018	USS 3/8" Flat Washer	10
7	2900153	Friction Washer, 3/8"	3
8	2900018	3/8-16 Nylon Lock Nut	6
9	2501339	Rubber Support Mount	1
10	6010123	Linkage Lever	1
11	6070486	Linkage Assembly 4-1/4"	1
12	2500007	Set Collar, 1/2" with Set Screw	2
13	2900047	3/8-16 x 1.75 Hex Cap Screw	2
14	6010319	Control Grip Assembly	1
15	2900052	1/4-20 x 1.25" HHCS (Grade 5)	2
16	2900126	1/4" USS Flat Washer	4
17	2900010	1/4-20 Nylon-Insert Hex Locknut	2
18	6070595	Transmission Linkage Assembly, CC-110D-DC	1
19	2900375	3/8-16 x 4.50" HHCS	1
20	6075200	DC Transmission Linkage Spacer	1
21	2901439	3/8 SAE Flat Washer	3
22	2900029	3/8-16 x 1.50 HEX HEAD CAP SCREW	1
23	2900008	1/4-20 x .750" HHCS	2
24	2900024	1/4" Split Lock Washer	2

Transmission Linkage

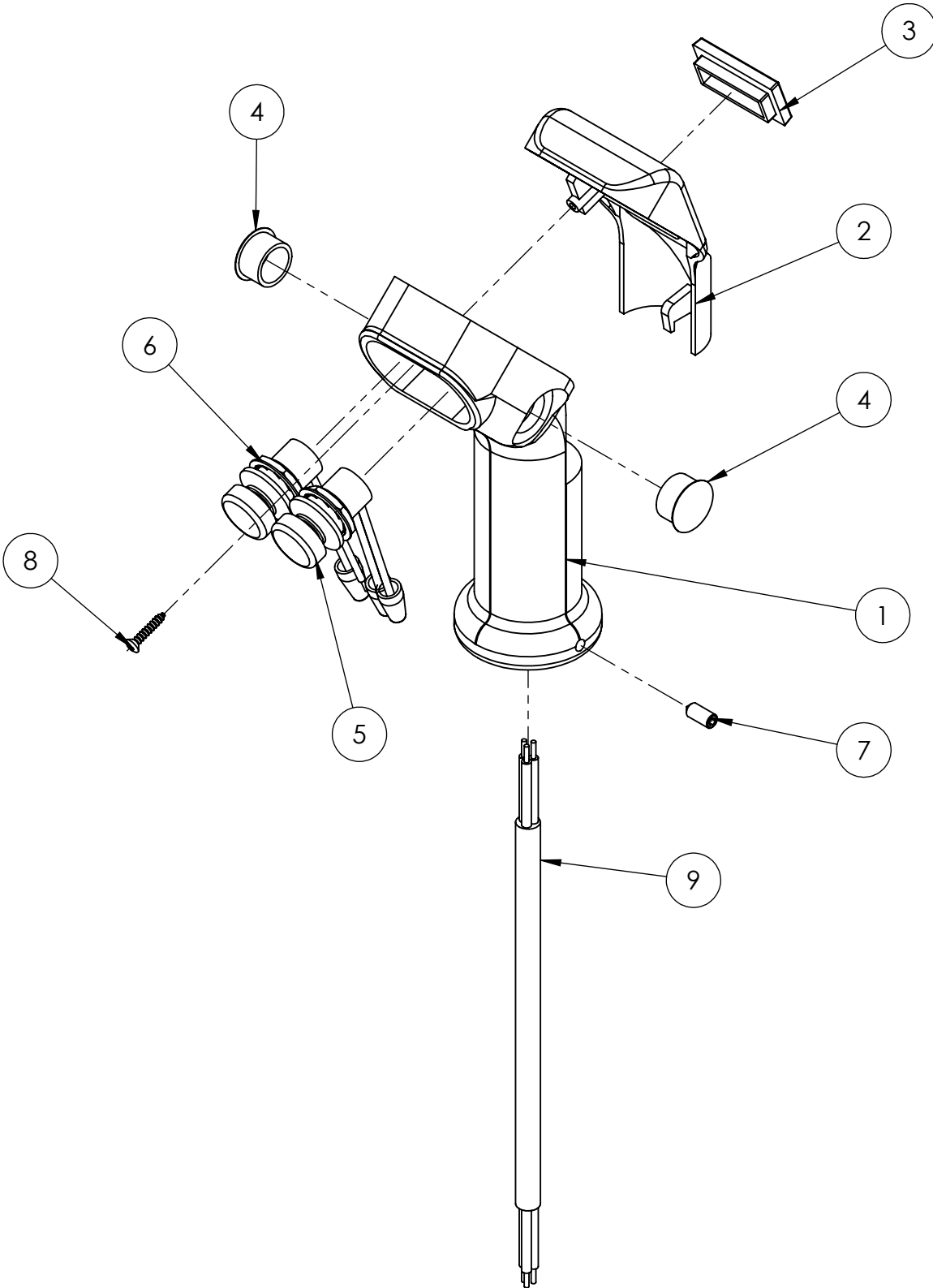
CC-110D-DC (6070595)



ITEM NO.	PART NUMBER	DESCRIPTION	QTY.
2	2500152	Rod End	2
3	6070371	Rod, Plated 3/8-24 x 15.125"	1
4	2900148	3/8-24 Steel Hex Nut	2
5	2900006	3/8 Split Lock Washer	2

2 Button Control Grip Assembly (6010319)

CC-110D-DC



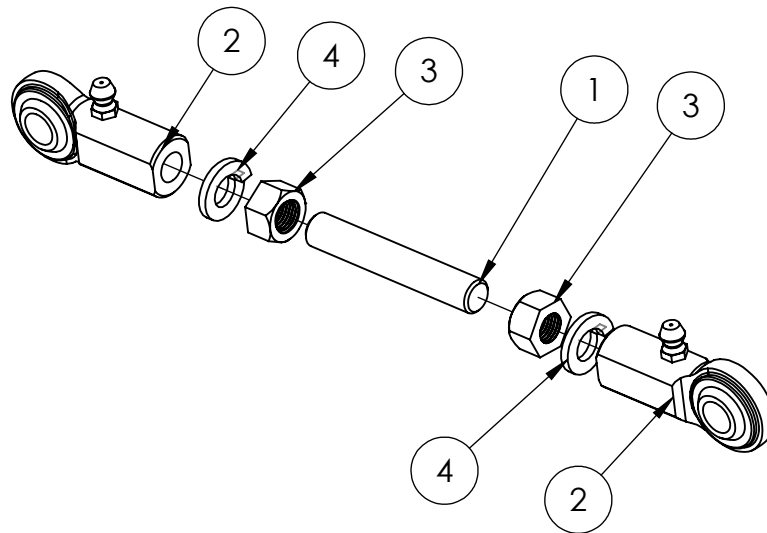
2 Button Control Grip Assembly (6010319)

CC-110D-DC

ITEM NO.	PART NUMBER	DESCRIPTION	QTY.
1	2501280	Control Grip Body	1
2	2501281	Control Grip Cover	1
3	2500644	Plug, Rectangular	1
4	2500694	Plug, 5/8" Hole	2
5	2800372	Pushbutton Switch (B&G)	1
6	2800373	Pushbutton Switch (B&W)	1
7	2900453	Set Screw, Soc. Hd., M5-0.8 x 12mm	1
8	2900452	Machine Screw, Oval Hd., #4 x 5/8"	1
9	2800393	Harness, Hydraulic Pump	1
10	2800002	Wire Nut, 22-16 Gage	3

Linkage Assembly (6070486)

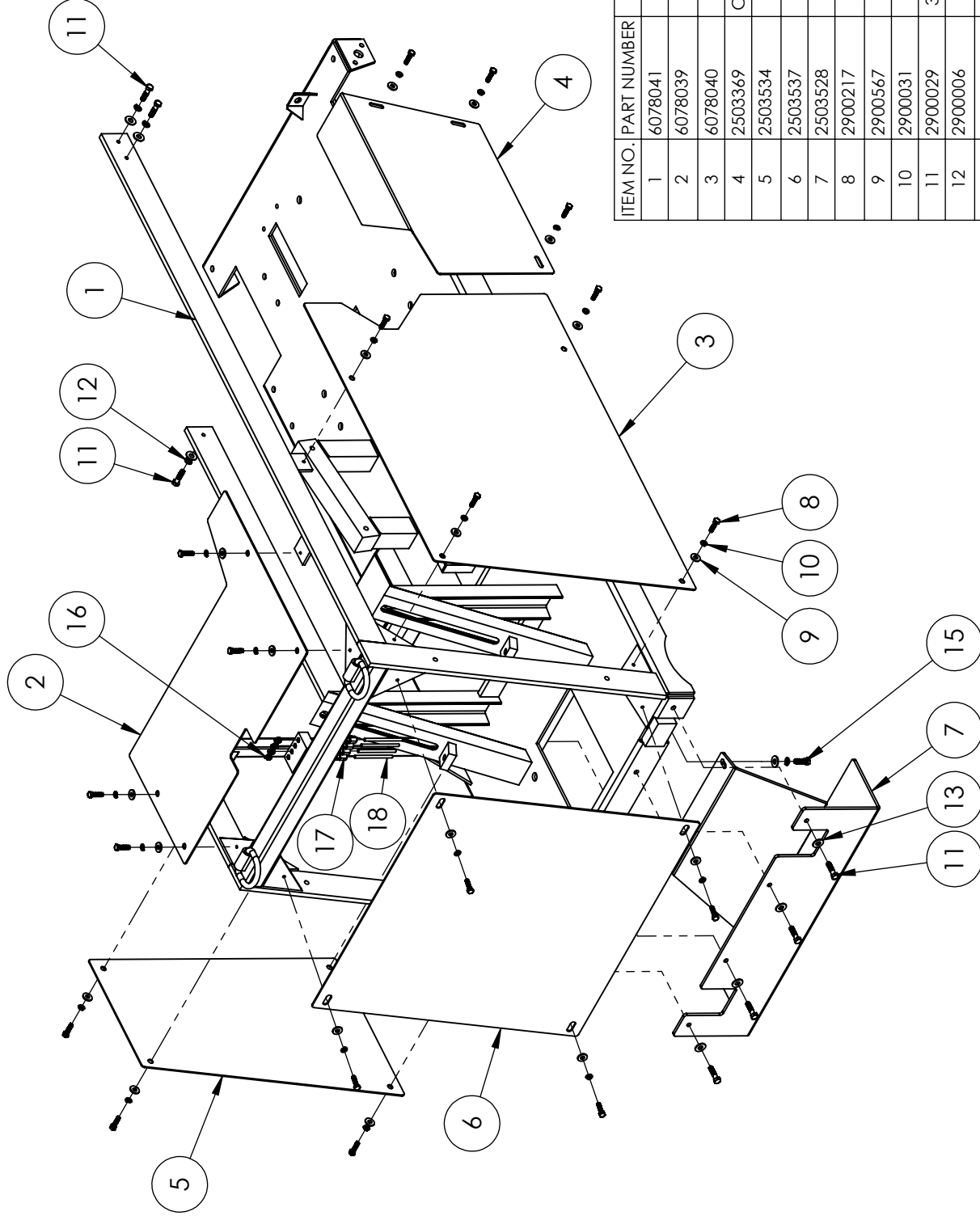
CC-110D-DC



ITEM NO.	PART NUMBER	DESCRIPTION	QTY.
1	6070485	Rod, 3/8-24 x 2-1/4"	1
2	2500152	Rod End, 3/8-24 Female	2
3	2900148	3/8-24 Steel Hex Nut	2
4	2900006	3/8 Split Lock Washer	2

Body & Frame Assembly

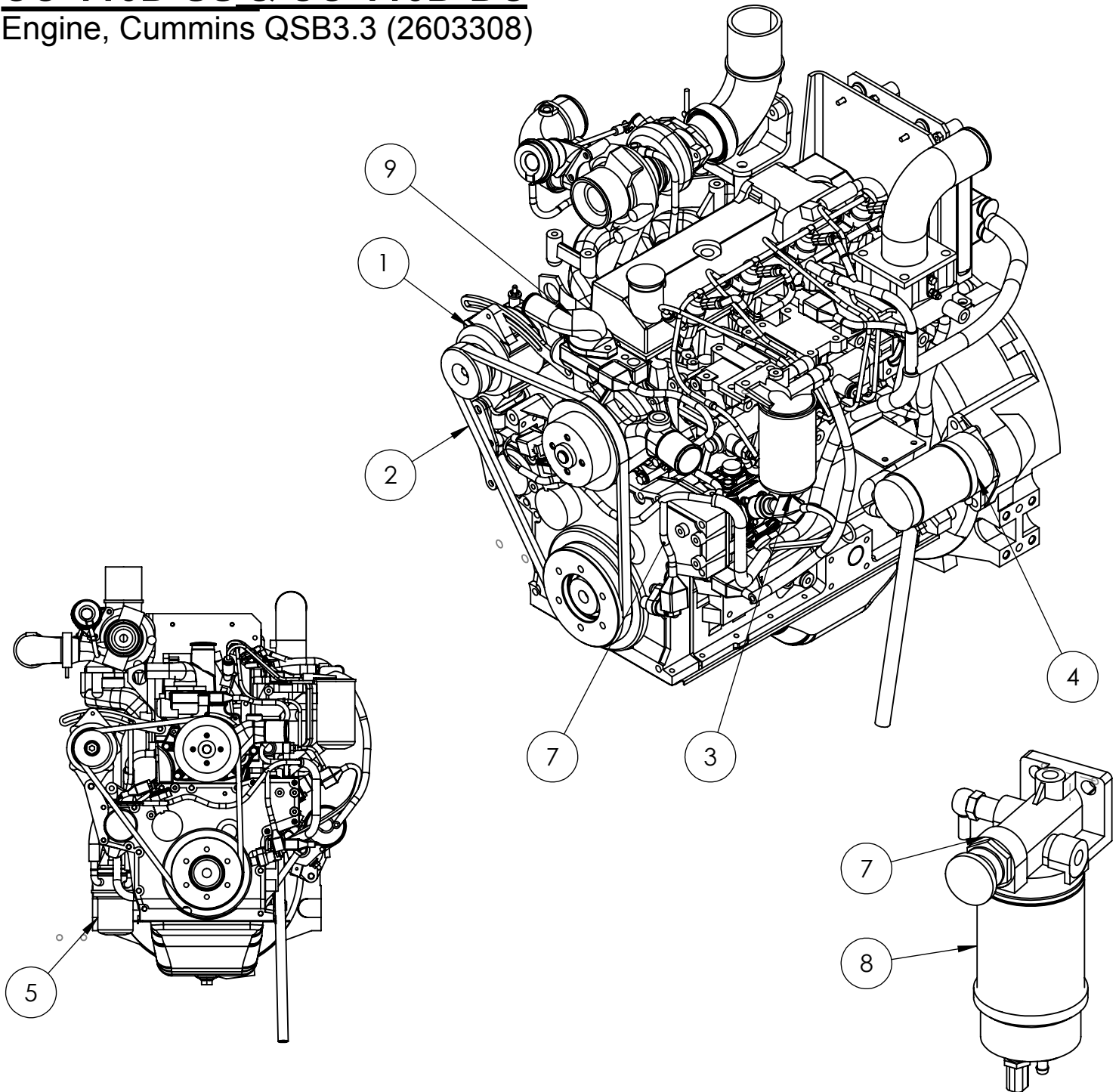
CC-110D-DC



ITEM NO.	PART NUMBER	DESCRIPTION	QTY.
1	6078041	CC-110D-DC Frame	1
2	6078039	Top Shield	1
3	6078040	CC-110D-DC Left Side Guard	1
4	2503369	CC-110D-DC Transmission Belt Guard	1
5	2503534	Right Side Guard	1
6	2503537	Front Guard	1
7	2503528	CC-110D-DC Skid Plate	1
8	2900217	5/16"-18 x 1.25" Hex Cap Screw	19
9	2900567	5/16" Flat Washer	19
10	2900031	5/16 SPLIT LOCK WASHER	19
11	2900029	3/8-16 x 1.50 HEX HEAD CAP SCREW	7
12	2900006	3/8 Split Lock Washer	5
13	2903018	USS 3/8" Flat Washer	13
14	2900018	3/8-16 Nylon Lock Nut	4
15	2900013	3/8-16 X 1.25" HHCS	2
16	2900062	Grease Fitting, 1/8" NPT	4
17	3201276	1/4" Compression Tube Fitting	4
18	1101483	1/4" O.D. Grease Line (Sold Per Inch)	4

CC-110D-SS & CC-110D-DC

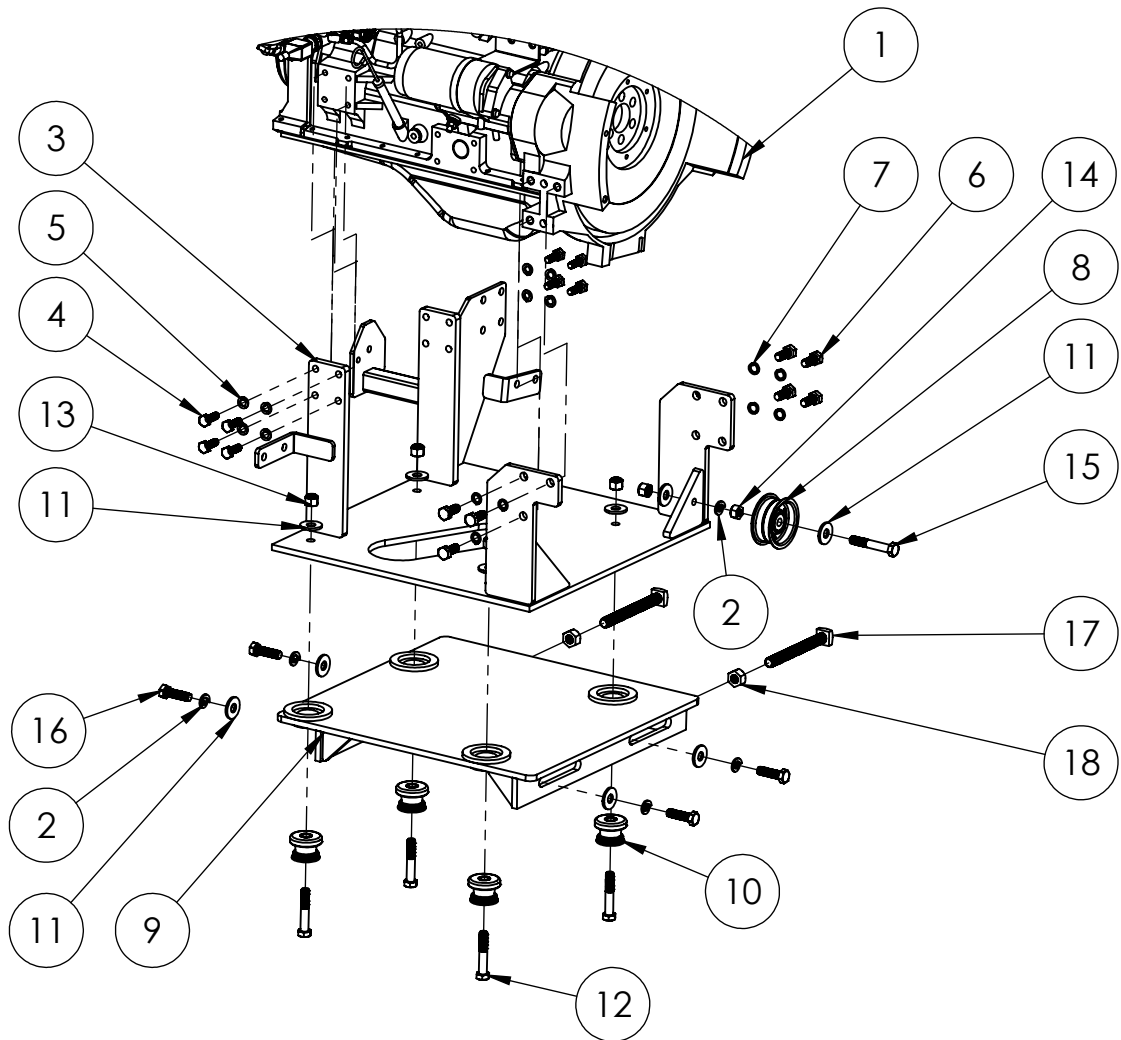
Engine, Cummins QSB3.3 (2603308)



ITEM	PART NO.	QTY.	DESCRIPTION	OEM Number
1	2708115	1	Cummins 110v Alternator	NA
2	2708048	1	Alternator Belt, 25-24476	25-24476
3	2707347	1	Primary Fuel Filter	FF5638
4	2708071	1	Cummins Starter Motor	NA
5	2707346	1	Oil Filter	LF16011
6	2603308	1	Cummins QSB3.3 110hp Turbo Diesel Engine	NA
7	2708043	1	Fuel Primer Assembly	NA
8	2707348	1	Fuel / Water Separator	FS19805
9	6070565	1	Cummins 110hp Water Neck, Modified	NA

Engine Mount & Slide Plate

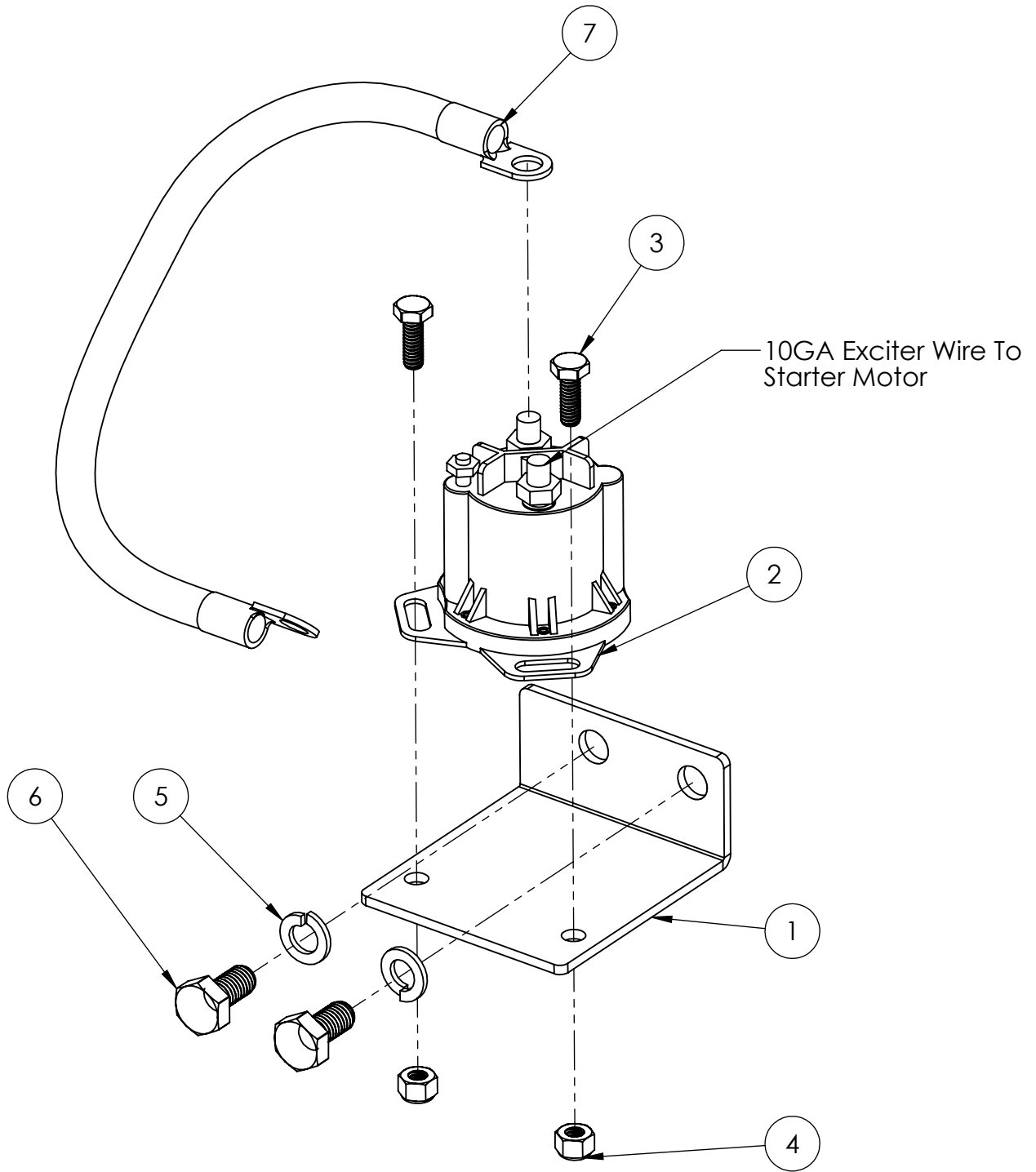
CC-110D-DC



ITEM NO.	PART NUMBER	DESCRIPTION	QTY.
1	2603308	Cummins 110hp Diesel	1
2	2900084	1/2 SPLIT LOCK WASHER	5
3	6075144	CC-110D-DC Engine Base Weldment	1
4	2900333	M10 -1.25 x30 MM HHCS	8
5	2900321	M10 SPLIT LOCK WASHER	8
6	2900330	M12 x 30 HHCS	7
7	2900699	M12 Split Lock Washer	7
8	2502566	Idler Pulley, 2-3/4" Flat	1
9	6078038	Engine Slide Base, CC-110D-DC	1
10	2702621	Rubber Isolator	4
11	2900127	1/2" USS Flat Washer	10
12	2900105	1/2-13 x 2.75 Grade 8 HHCS	4
13	2900026	1/2-13 Nylon-Insert Hex Locknut	5
14	2900037	1/2-13 Hex Nut	1
15	2900693	1/2-13 x 3.00 Hex Cap Screw	1
16	2903087	1/2-13 x 1.75 HHCS	4
17	2903121	5/8-11 x 6.00" Square-Head Bolt	2
18	2900507	5/8-11 Hex Nut	2

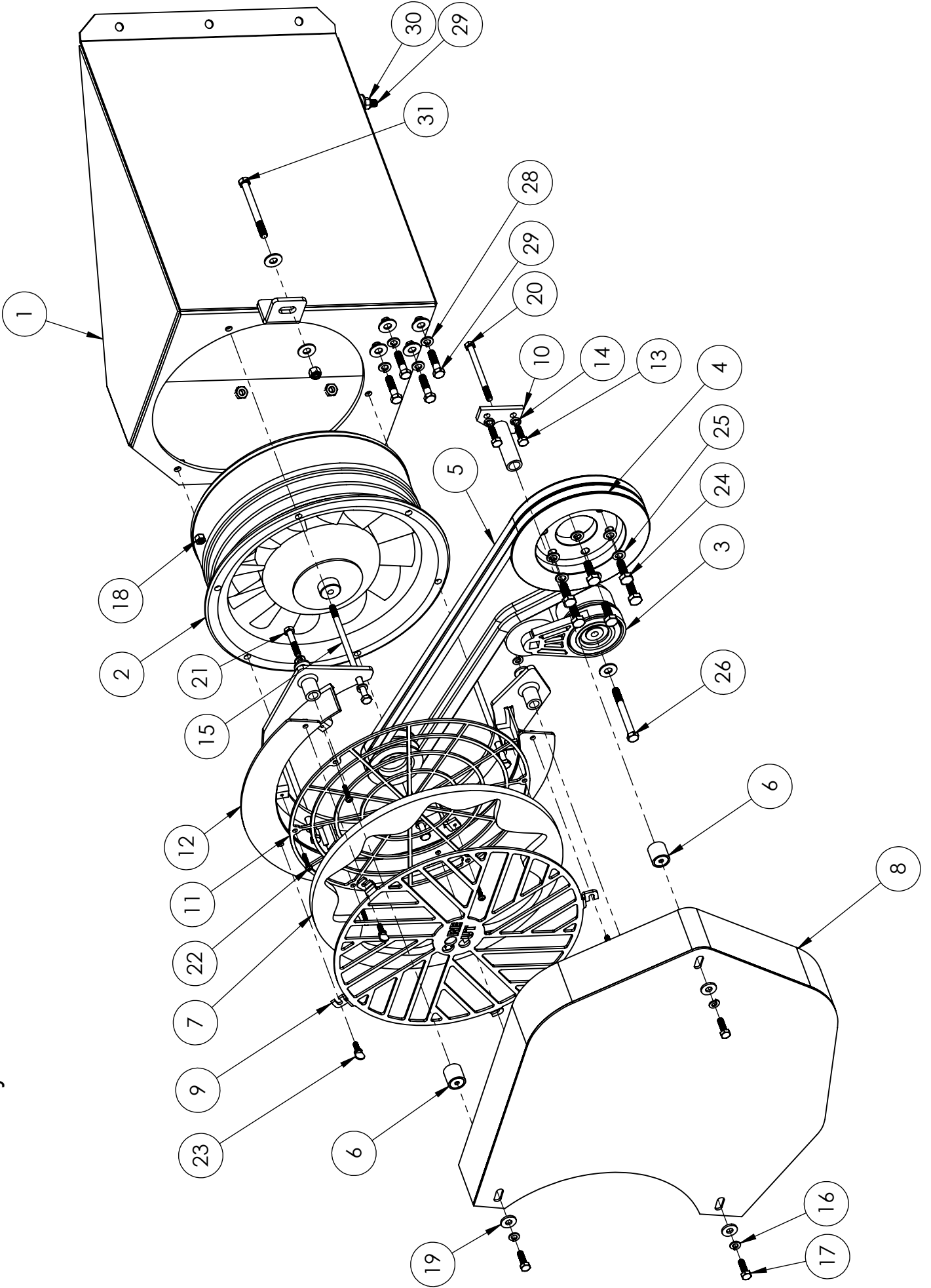
Starter Solenoid Assembly

CC-110D-DC



ITEM NO.	PART NUMBER	DESCRIPTION	QTY.
1	6079048	Solenoid Mount Bracket Burnout	1
2	2505056	Solenoid	1
3	2900008	1/4-20 x .750" HHCS	2
4	2900010	1/4-20 Nylon-Insert Hex Locknut	2
5	2900321	M10 SPLIT LOCK WASHER	2
6	2903164	M10-1.5 x 20 HHCS	2
7	6070360	Starter Solenoid Cable, Cummins QSB3.3	1

CC-110D-DC
Fan Assembly



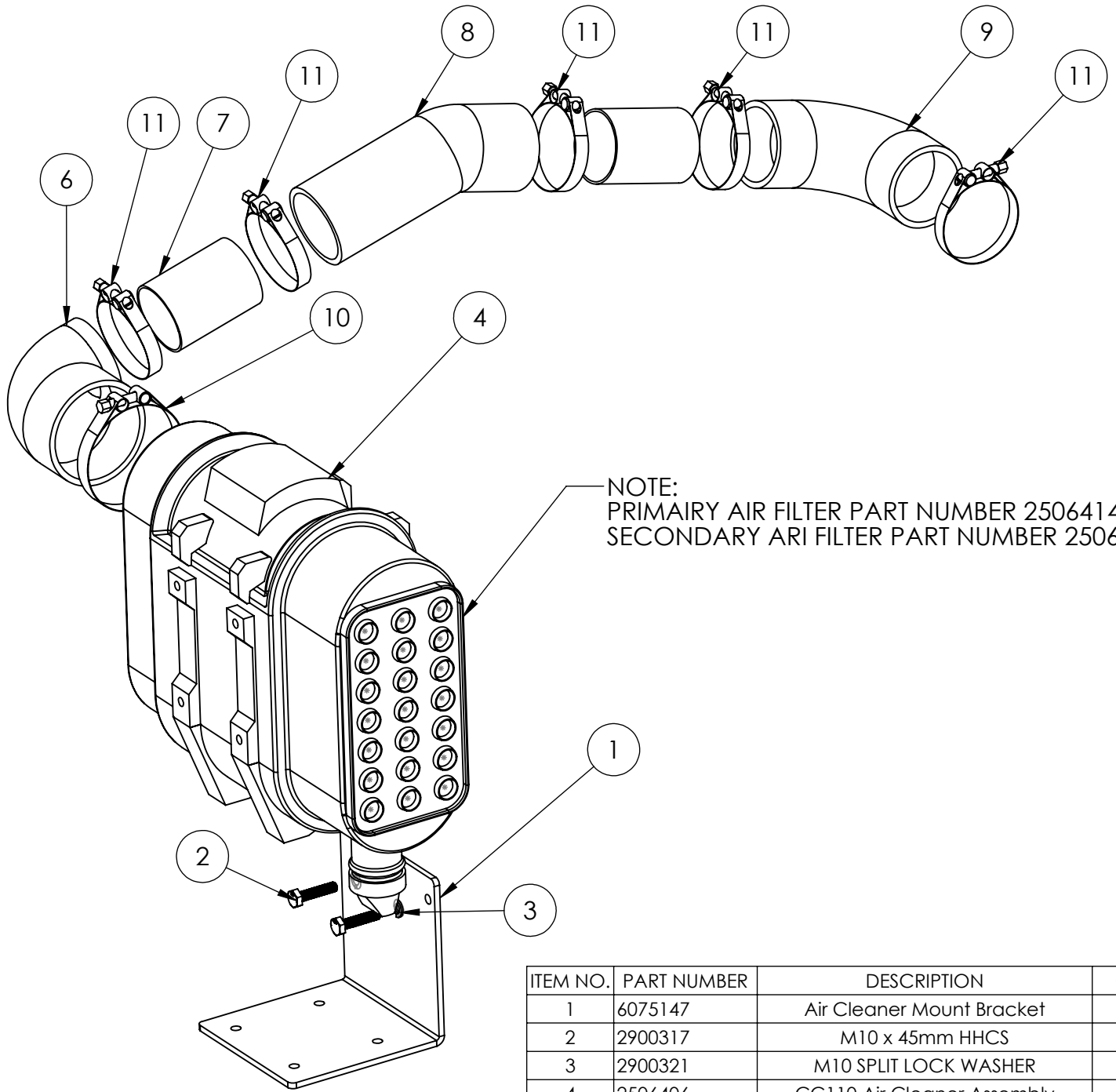
CC-110D-DC

Fan Assembly

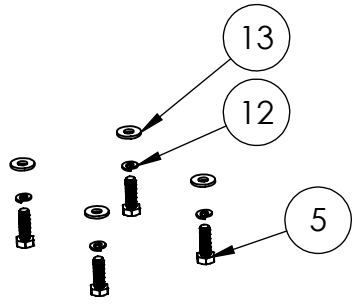
ITEM NO.	PART NUMBER	DESCRIPTION	QTY.
1	6075142	Air Box Weldment	1
2	2502625	Axial Turbine Fan Assembly	1
3	2502126	Tensioner K99	1
4	2707226	Pulley, 2-Groove Crankshaft	1
5	2502125	V-Belt 9185-0054	2
6	2502641	Vibration Isolator 5/16-18 Thread	3
7	2502780	Air Filter	1
8	6075262	Belt Guard	1
9	6075250	Fan Guard	1
10	6075263	Mount Bracket, Belt Guard	1
11	6075249	Grill Plate	1
12	6075259	Fan Mount Weldment	1
13	2903223	M8-25 Hex Head Cap Screw	2
14	2903041	3/8 Machine Screw Split Lock Washer	2
15	2902971	Cap Screw, Hex Hd., 5/16-18 x 7"	4
16	2900031	5/16 SPLIT LOCK WASHER	10
17	2900138	5/16-18x1.00 HHCS	4
18	2900039	5/16"-18 Nylock Hex Nut	2
19	2900567	5/16" Flat Washer	5
20	2900786	5/16-18 x 4.00 HHCS	1
21	2900538	5/16-18 x 1.75" Hex Head Cap Screw	2
22	2900967	10-24 x 1.00 RHMS	5
23	2907076	Thumb Screw, 1/4-20 x 5/8	4
24	2903169	M10 x1.5 x 30 Hex Head Cap Screw	6
25	2900321	M10 SPLIT LOCK WASHER	6
26	2903028	3/8-16 x 3.50" Hex Head Cap Screw	1
27	2903018	USS 3/8" Flat Washer	10
28	2900006	3/8 Split Lock Washer	4
29	2900029	3/8-16 x 1.50 HHCS	5
30	2900018	Lock Nut, 3/8-16 Nylon	2
31	2900160	3/8-16 x 4.00" Hex Head Cap Screw	1

Air Intake Assembly

CC-110D-DC

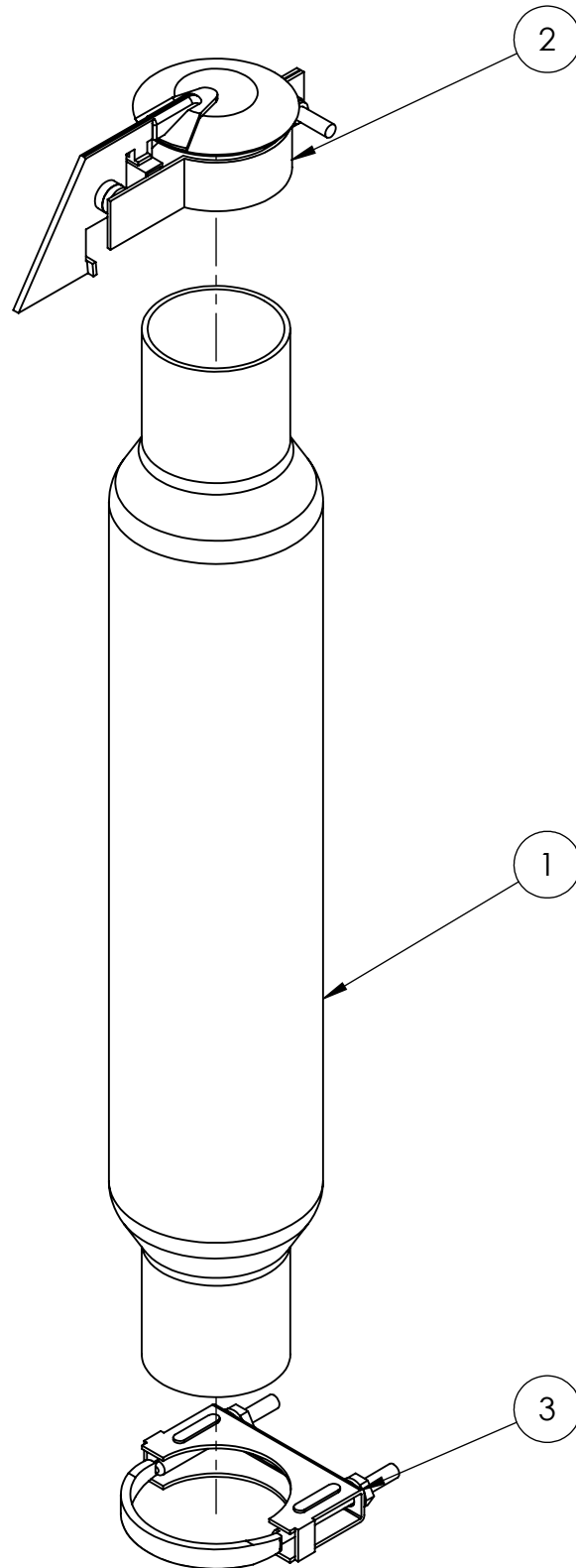


NOTE:
 PRIMARY AIR FILTER PART NUMBER 2506414
 SECONDARY AIR FILTER PART NUMBER 2506415



ITEM NO.	PART NUMBER	DESCRIPTION	QTY.
1	6075147	Air Cleaner Mount Bracket	1
2	2900317	M10 x 45mm HHCS	2
3	2900321	M10 SPLIT LOCK WASHER	2
4	2506406	CC110 Air Cleaner Assembly	1
5	2903223	M8-25 Hex Head Cap Screw	4
6	2506307	HG 90 Degree Reducer Elbow 4"-3"	1
7	6048932	Air Intake Pipe, 3" O.D. x 3"	2
8	3201628	Air Cleaner Hose, 3" I.D. x 9-3/4"	1
9	2500669	Hose Elbow, 3" I.D.	1
10	3205565	4-1/2" T-Bolt Clamp	1
11	3205561	3.31-3.59" T-Bolt Clamp	5
12	2900024	1/4" Split Lock Washer	4
13	2900126	1/4" USS Flat Washer	4

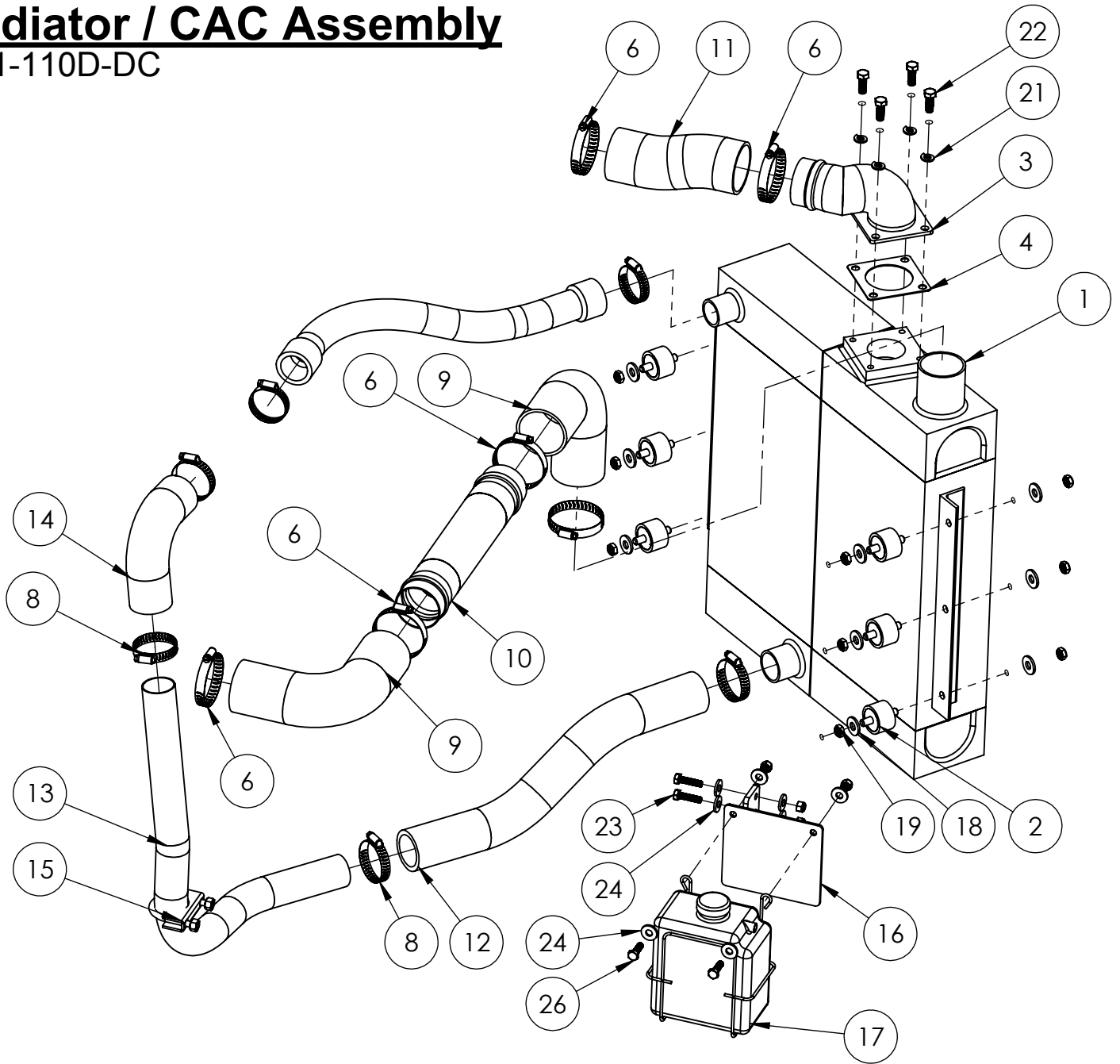
CC-110D-DC Exhaust Assembly



ITEM NO.	PART NUMBER	DESCRIPTION	QTY.
1	2707327	Muffler, Cummins 110	1
2	2705408	EXHAUST, RAIN CAP, SILENT STYLE, 3"	1
3	3201170	CLAMP, U-BOLT, 3" CHROME	1

Radiator / CAC Assembly

CC1-110D-DC

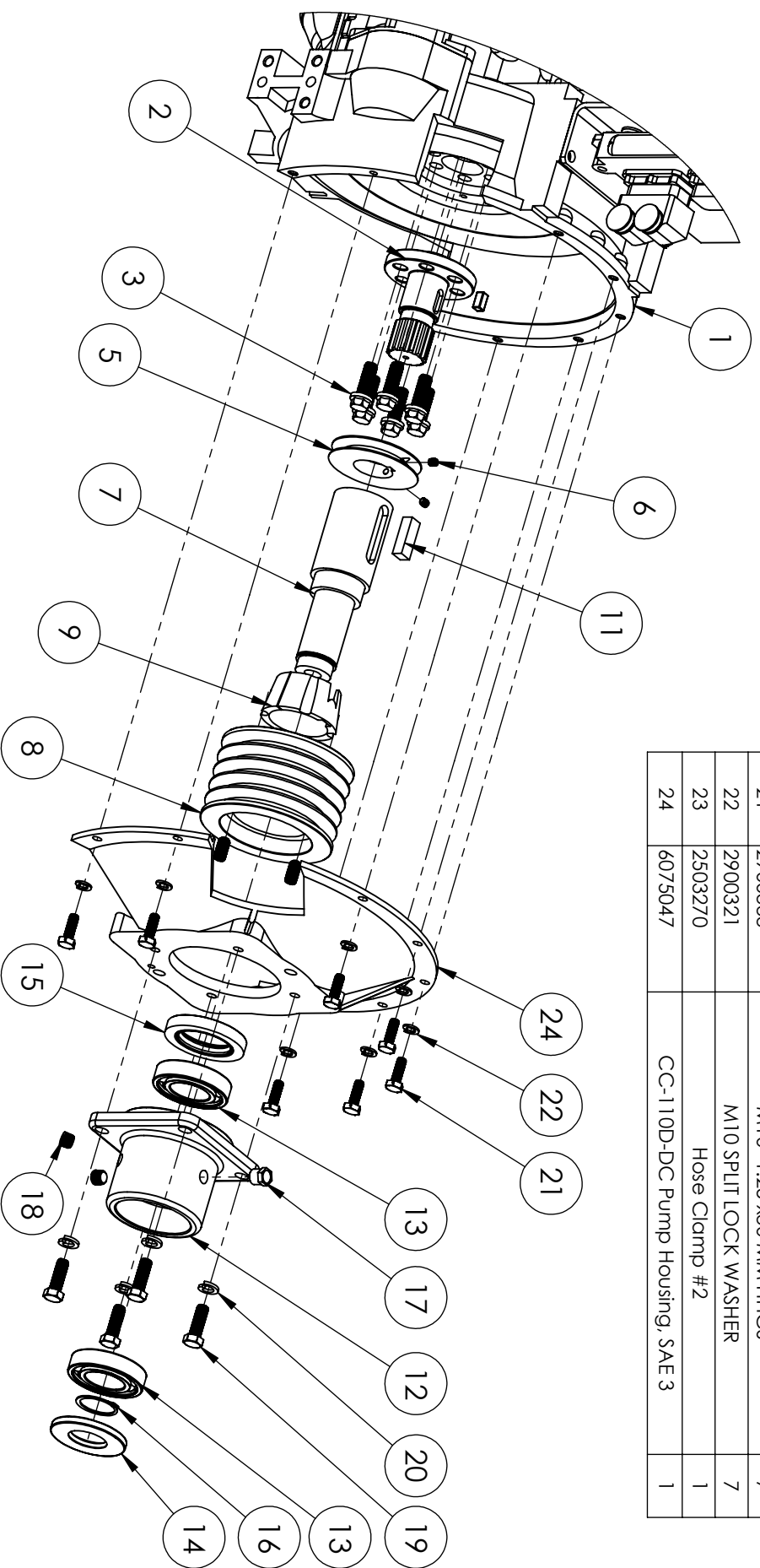


ITEM NO.	PART NUMBER	DESCRIPTION	QTY.	ITEM NO.	PART NUMBER	DESCRIPTION	QTY.
1	2708009	Radiator/CAL Cooler Assembly	1	13	2707321	1-3/4" Exhaust Pipe	1
2	2802760	3CC06 Isolator	6	14	2707319	90 Degree Hose	1
3	6075198	CAC Adaptor Weldment	1	15	2503909	Muffler Clamp, 1-3/4"	1
4	2502542	Gasket, CAC Adaptor	1	16	6075146	Bracket, Coolant Bottle	1
5	2707318	Upper Radiator Hose	1	17	2502624	Coolant Recovery Tank	1
6	3205560	Hose Clamp #48	6	18	2903018	3/8" Flat Washer	18
7	2503263	Hose Clamp #36	2	19	2901988	3/8-16 Nylon Insert Thin Nut	15
8	2503263	Hose Clamp #36	4	20	2900013	3/8-16 X 1.25" Hex Cap Screw	3
9	2506458	2-1/2" CAC 90 Degree Hose	2	21	2900006	3/8 Split Lock Washer	4
10	6078042	Air Intake Tube	1	22	2900005	3/8-16x1.00 HHCS	4
11	2707325	Charge Air Hose 2-1/2" Straight	1	23	2900217	5/16"-18 x 1.25" Hex Cap Screw	2
12	2707320	Lower Radiator Hose	1	24	2900567	5/16" Flat Washer	8
				25	2900039	5/16"-18 Nylock Hex Nut	4
				26	2900138	5/16-18x1.00 HHCS	2

Aux. Drive Assembly

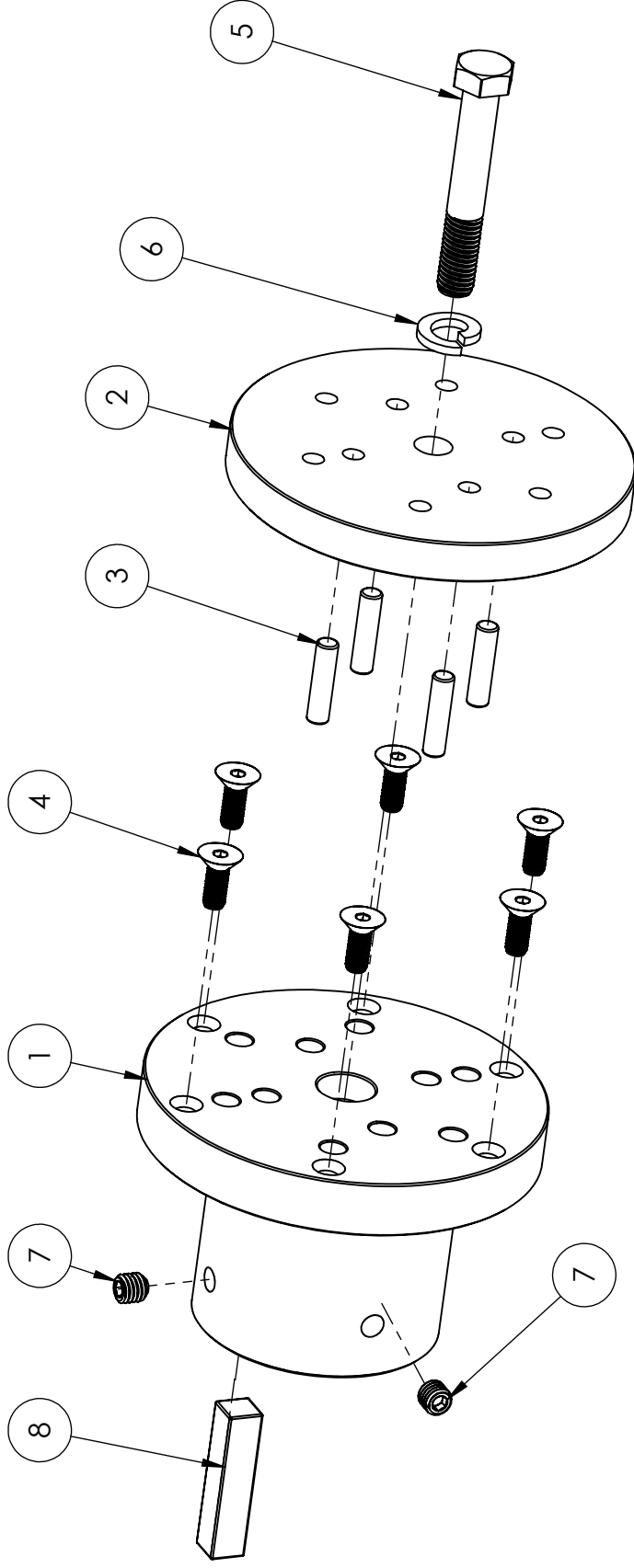
CC-110D-DC

ITEM NO.	PART NUMBER	DESCRIPTION	QTY.	ITEM NO.	PART NUMBER	DESCRIPTION	QTY.
1	2603308	Cummins 110hp Diesel	1	11	2503482	Taper Lock To Crank Sheave Key	1
2	2707228	Male Spline Shaft	1	12	2502654	LD Housing	1
3	2907087	M14-1.5 x 40 DC Flange Head Bolt	6	13	2502662	LD Bearing 6209 $\frac{2}{3}$ C3	2
4	6048933	3/8" DC Saw Hydraulic Pump Crank Pulley Key	1	14	2502660	Outer Seal, 40-85-8	1
5	6012006	Pulley, Accessory Drive	1	15	2502661	Inner Seal, 57-90-13	1
6	2907062	5/16-18 x .375" Cup Point Set Screw	2	16	2502652	Snpp Ring	1
7	2702952	Female Spline Shaft	1	17	3201490	Breather Vent, 1/4" NPT	1
8	2503516	5 GROOVE SHEAVE, 5/5V5.9-2517	1	18	3201096	Fitting, 3/8" Plug, Hex Head	2
9	2503517	Taper Lock 2517 W/2.625" Bore	1	19	2900499	1/2-13x1.50 HHCS	4
10	2900489	1/2-13 x 1.00" Cup Point Set Screw	2	20	2900084	1/2 SPLIT LOCK WASHER	4
				21	2900333	M10 -1.25 x30 MM HHCS	7
				22	2900321	M10 SPLIT LOCK WASHER	7
				23	2503270	Hose Clamp #2	1
				24	6075047	CC-110D-DC Pump Housing, SAE 3	1



Blade Collar Assembly

CC-110D-DC



LEFT BLADE COLLAR ASSEMBLY SHOWN

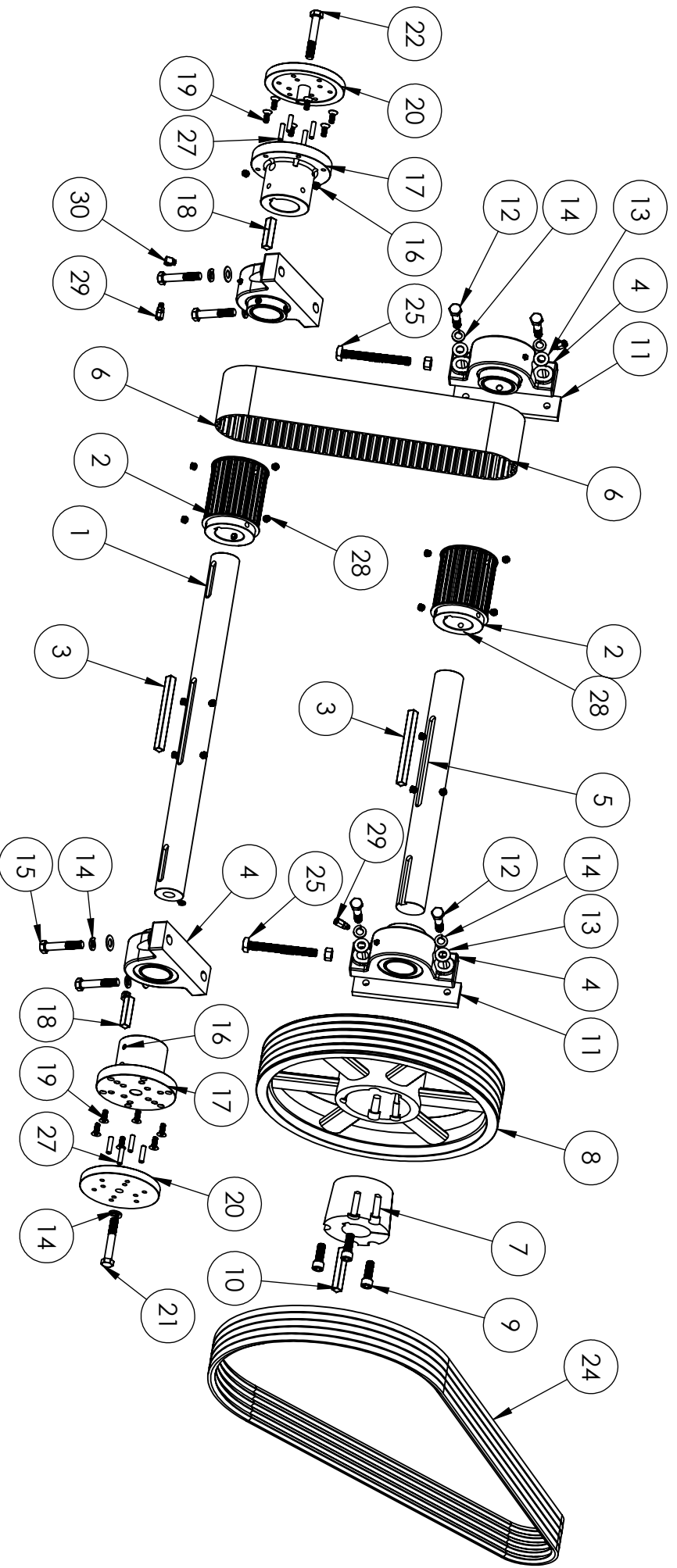
ITEM NO.	PART NUMBER	DESCRIPTION	QTY.
1	6017062	DC Inner Blade Flange, Combo	1
2	6017063	DC Outer Blade Flange, Combo	1
3	2903155	3/8" x 1.50" Dowel	4
4	2903052	3/8--16 x 1.00" SS Flat Socket Head Cap Screw	6
5	2900130	5/8-11 x 4.00 GRADE 8 HHCS (RH)	1
6	2900113	5/8 SPLIT LOCK WASHER	1
7	2907086	1/2-13 x 1/2 Cup Point Set Screw	2
8	2503470	.625" x .625" x 2.75" Blade Hub Key	1

NOTE: ITEM NUMBER 5 IS PART NUMBER 2903117 ON RIGHT BLADE COLLAR ASSEMBLY (LH THREAD)

ITEM NUMBER 3 IS SHIPPED LOOSE WITH SAW, DOWELS ARE PRESS FIT INTO OUTER FLANGE, THIS IS DETERMINED BY CUSTOMERS BLADE STYLE. THERE ARE THREE BLADE ATTACHMENT STYLES, ONLY ONE OF THE THREE IS REQUIRED.

Blade & Jackshaft Assembly

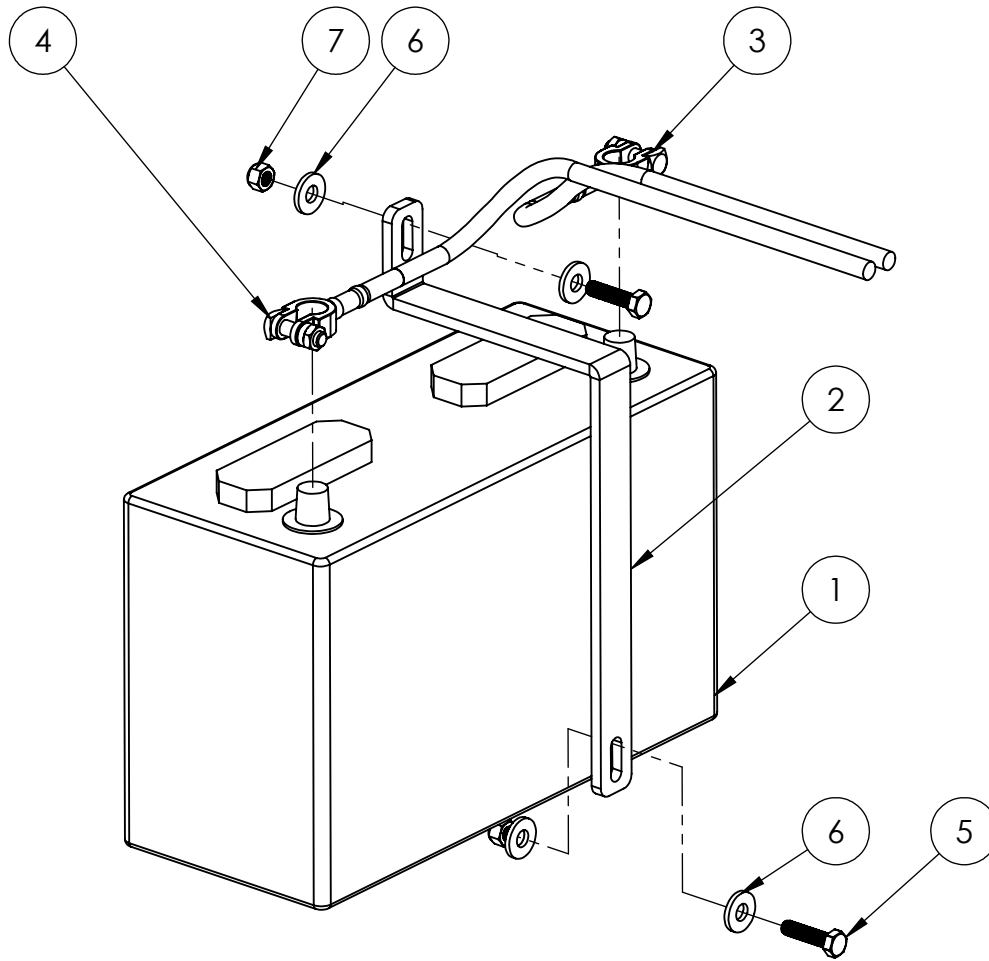
CC-110D-DC



ITEM NO.	PART NUMBER	DESCRIPTION	QTY.	ITEM NO.	PART NUMBER	DESCRIPTION	QTY.
1	2503451	DC Blade Shaft	1	16	2907086	1/2-13 x .500" Cup Point Set Screw	24
2	2502886	Sprocket, 28T 14mm Pitch	2	17	6017062	DC Inner Blade Flange, Combo	2
3	2503469	.625" x .625" x 7.00" Sheave Key	2	18	2503470	.625" x .625" x 2.75" Blade Hub Key	2
4	2503329	2.50" Link Belt Bearing	4	19	2903052	3/8--16 x 1.00" SS Flat Socket Head Cap Screw	12
5	2503452	DC 2.50" Jack Shaft	1	20	6017063	DC Outer Blade Flange, Combo	2
6	2502776	Poly Chain Belt	1	21	2900146	5/8-11 x 4.00 GRADE 8 HHCS (RIGHT THREAD)	1
7	2503332	Taper Lock Bushing 4040 2.50	1	22	2900130	5/8-11 x 4.00 GRADE 8 HHCS (LEFT THREAD)	1
8	2503331	5V521 2.4040 Sheave	1	23	2900006	3/8 Split Lock Washer	1
9	2903116	5/8-11 x 1.75" SHCS	3	24	2506430	5Vx1000 Belt	5
10	2503466	Key, .625 x .625 x 4.00	1	25	2903121	5/8-11 x 6.00" Square-Head Bolt	2
11	2503529	Jack Shaft Bolt Blocks	2	26	2900507	5/8-11 Hex Nut	2
12	2903114	5/8-11 x 3.00 HHCS	4	27	2903155	3/8" x 1.50" Dowel	12
13	2900202	5/8 SAE Flat Washer	8	29	3201276	1/4" Compression Tube Fitting	4
14	2900113	5/8 SPLIT LOCK WASHER	10	30	3200156	1/8" Street Elbow, Brass	2
15	2903115	5/8-11 x 3.50 HHCS	4				

Battery Assembly

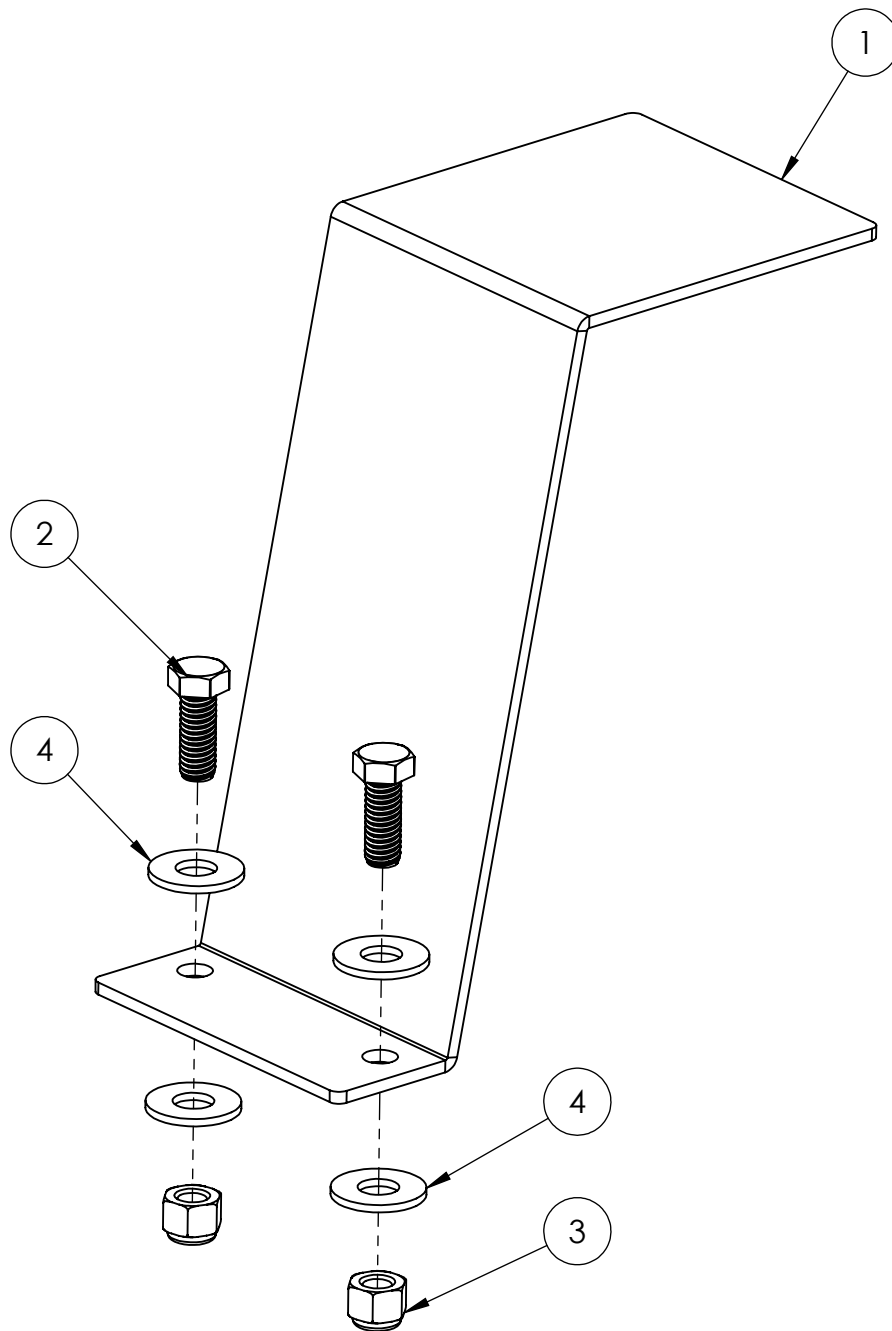
CC-110D-DC



ITEM NO.	PART NUMBER	DESCRIPTION	QTY.
1	2802594	Battery, 12 Volt Group Size 50	1
2	2503372	Battery Hold Down Bracket	1
3	6079007	Negative Battery Cable, CC-110D-SS	1
4	6079008	Positive Battery Cable, CC-110D-SS	1
5	2900217	5/16"-18 x 1.25" Hex Cap Screw	2
6	2900567	5/16" Flat Washer	4
7	2900039	5/16"-18 Nylock Hex Nut	2

Drive Chain Guard Assembly

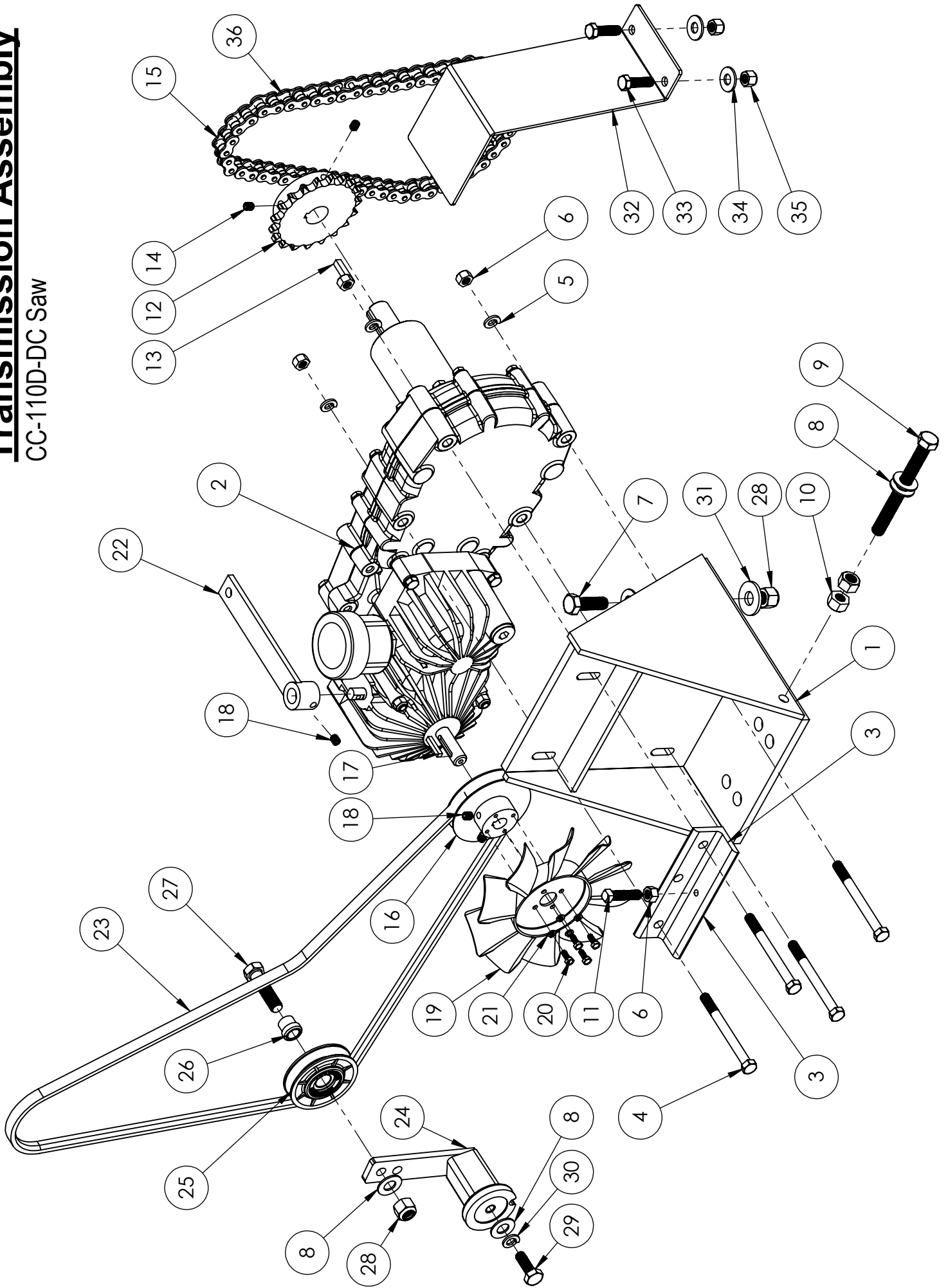
CC-110D-DC



ITEM NO.	PART NUMBER	DESCRIPTION	QTY.
1	2503000	CC-110D Transmission Chain Guard	1
2	2900005	3/8-16x1.00 HHCS	2
3	2900018	Lock Nut, 3/8-16 Nylon	2
4	2903018	USS 3/8" Flat Washer	4

Transmission Assembly

CC-110D-DC Saw



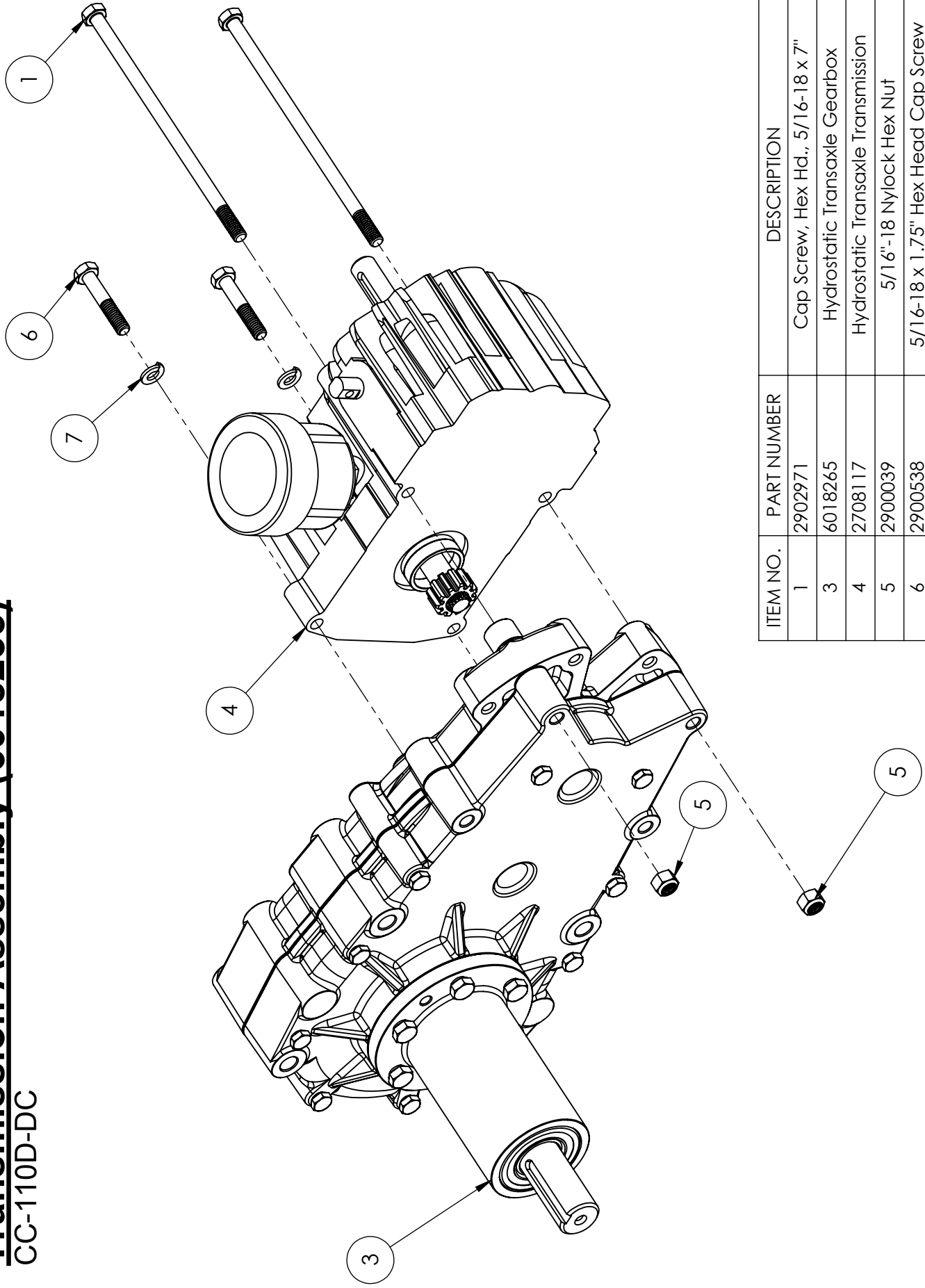
Transmission Assembly

CC-110D-DC Saw

ITEM NO.	PART NUMBER	DESCRIPTION	QTY.
1	6010118	Transmission Platform	1
2	6018235	DPI Transmission Assembly	1
3	6010120	Chain Tensioning Bracket	1
4	2900160	3/8-16 x 4.00" Hex Head Cap Screw	4
5	2900006	3/8 Split Lock Washer	4
6	2900033	3/8-16 HEX NUT	5
7	2900499	1/2-13x1.50 HEX CAP SCREW	1
8	2900058	1/2 FLAT WASHER	5
9	2903099	1/2-13 x 5.00" Fully Threaded HHCS	1
10	2900037	1/2-13 Hex Nut	2
11	2907069	3/8-16 x 1-3/4 Square Head Set Screw	1
12	6010127	Transmission Sprocket, #50 x 19 Tooth	1
13	6010169	Key, 1/4" Sq. x 1-1/4"	1
14	2900142	5/16-18X3/8 SOCKET SET SCREW, KNURLED CUP POINT	2
15	6078995	CC-110D-DC Drive Chain Assembly	1
16	6011037	Transmission Pulley 3.5"	1
17	6010170	Key, 3/16" Sq. x 1"	1
18	2907062	5/16-18 x .375" Cup Point Set Screw	3
19	2500519	Cooling Fan, 7"	1
20	2900448	10-32 x .500 HHMS	4
21	2900038	#10 Split Lock Washer	4
22	6010129	Shift Lever	1
23	2502567	V Belt, 1/2 x 68"	1
24	2502666	Idler Tensioner	1
25	2502669	Idler Pulley, 3" V-Type	1
26	2503243	1/2" Shoulder Adaptor	1
27	2900106	1/2-13 x 2.00" HHCS	1
28	2900026	1/2-13 Nylon-Insert Hex Locknut	2
29	2903169	M10 x1.5 x 30 Hex Head Cap Screw	1
30	2900321	M10 SPLIT LOCK WASHER	1
31	2900127	1/2" USS Flat Washer	1
32	2503000	CC-110D-DC Transmission Chain Guard	1
33	2900013	3/8-16 X 1.25" Hex Cap Screw	2
34	2903018	USS 3/8" Flat Washer	2
35	2900018	3/8-16 Nylon Lock Nut	2
36	2502665	#50 Master Link	1

Transmission Assembly (6018235)

CC-110D-DC

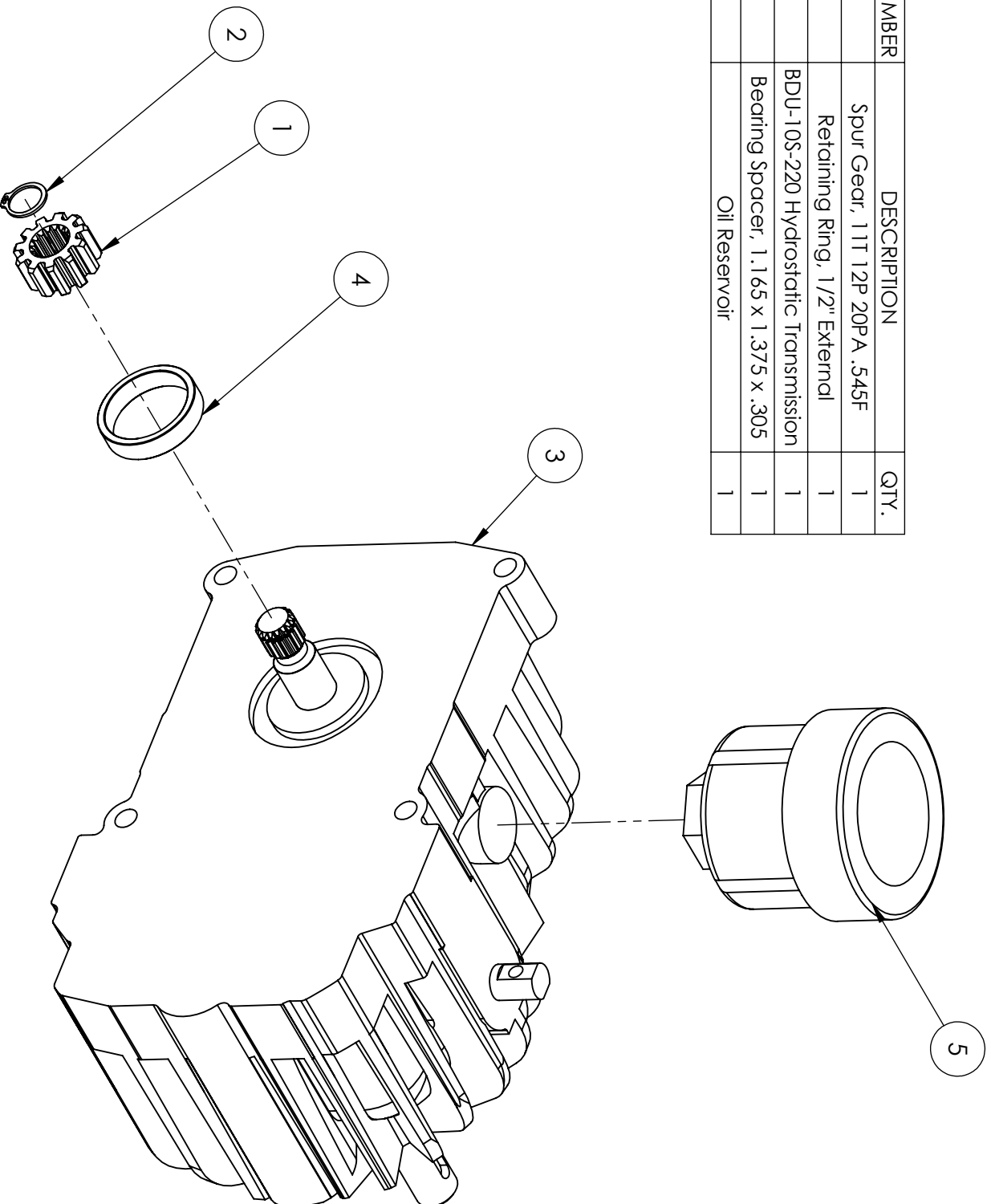


ITEM NO.	PART NUMBER	DESCRIPTION	QTY.
1	2902971	Cap Screw, Hex Hd., 5/16-18 x 7"	2
3	6018265	Hydrostatic Transaxle Gearbox	1
4	2708117	Hydrostatic Transaxle Transmission	1
5	2900039	5/16"-18 Nylock Hex Nut	2
6	2900538	5/16-18 x 1.75" Hex Head Cap Screw	2
7	2900031	5/16 SPLIT LOCK WASHER	2

Hydrostatic Transaxle Transmission (2708117)

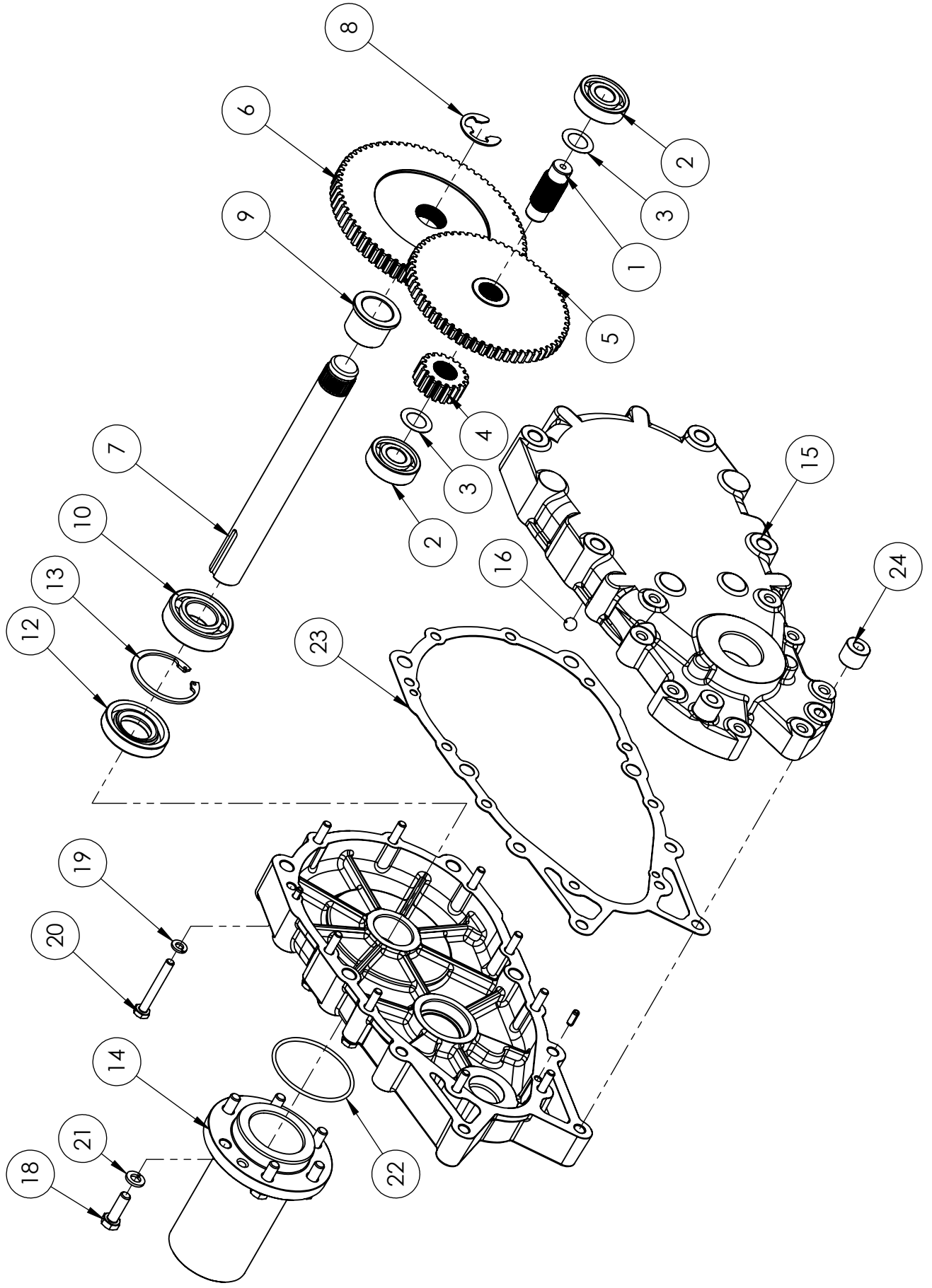
CC-110D-DC

ITEM NO.	PART NUMBER	DESCRIPTION	QTY.
1	6018241	Spur Gear, 11T 12P 20PA .545F	1
2	2400128	Retaining Ring, 1/2" External	1
3	2504557	BDU-10S-220 Hydrostatic Transmission	1
4	6018250	Bearing Spacer, 1.165 x 1.375 x .305	1
5	2700357	Oil Reservoir	1



Hydrostatic Transaxle Gearbox (6018265)

CC-110D-DC



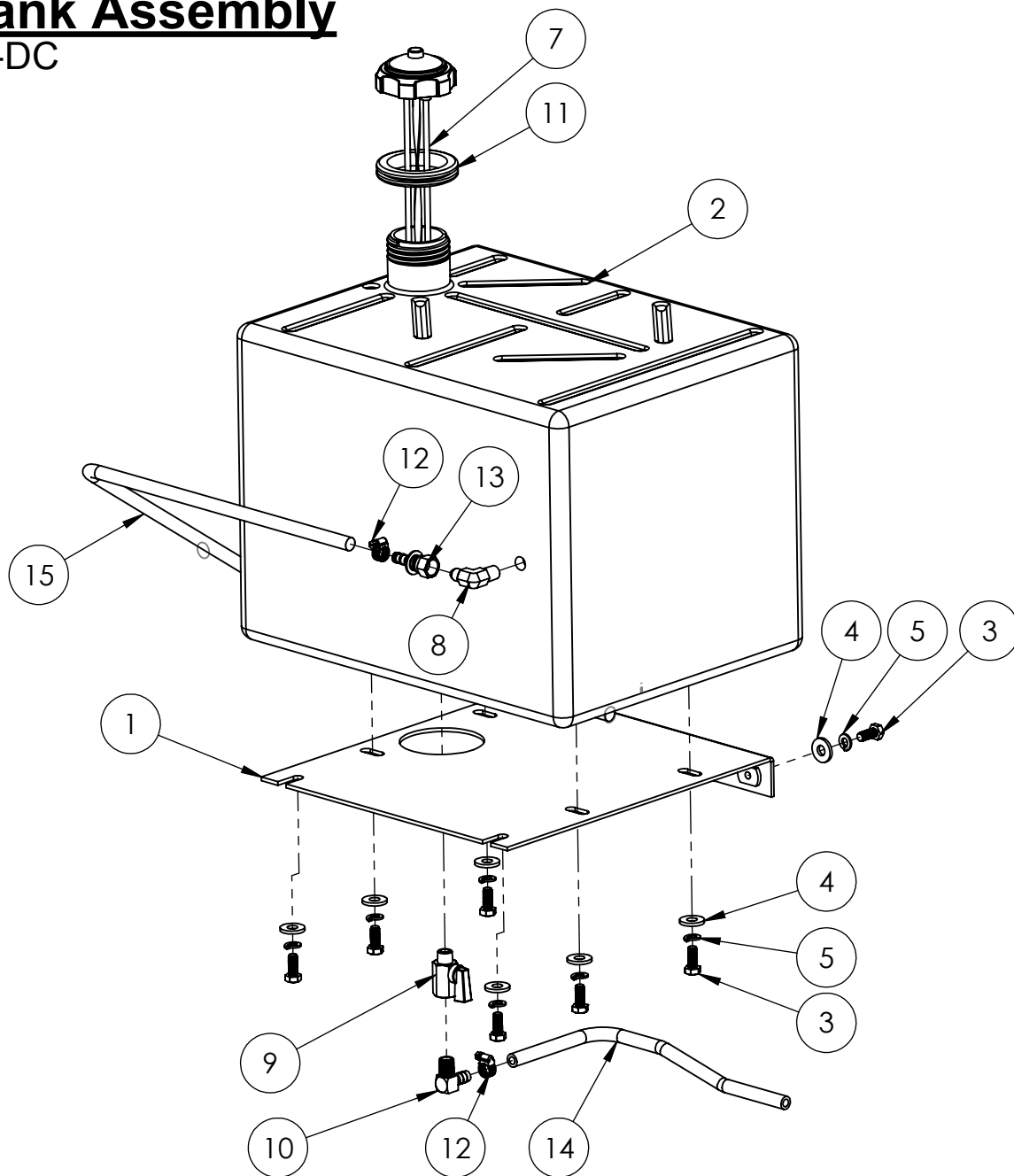
Hydrostatic Transaxle Gearbox (6018265)

CC-110D-DC

ITEM NO.	PART NUMBER	DESCRIPTION	QTY.
1	6018234	Intermediate Shaft	1
2	2503199	Ball Bearing, .625" x 40 x 12mm	2
3	2503198	Shim, .625 x 1.00 x .010	2
4	6018236	Spur Gear, 17T 12P 20PA .645F	1
5	6018238	Spur Gear, 60T 12P 20PA .405F	1
6	6018240	Spur Gear, 72T 12P 20PA .562F	1
7	6018239	Output Shaft	1
8	2503974	Ret. Ring, 7/8 Ext E-Type	1
9	2503973	Flange Bearing, 25mm x 1.25 x 1.00"	1
10	2400081	Bearing 25 x 52x 15 Ball, 6205-2RS Sealed	1
11	2900171	Roll Pin, 3/16" x 1/2"	2
12	2503978	Seal, 25 x 52 x 10mm	1
13	2503979	Ret. Ring, 2-1/16 INT, N5000-206	1
14	6018244	Axle Horn	1
15	6018245	Inner Cover	1
16	2507085	Ball, 3/8"	1
17	6018246	Outer Cover	1
18	2900138	Cap Screw, Hex Hd., 5/16-18 x 1"	6
19	2900024	Lock Washer, 1/4" Split	10
20	2900294	Cap Screw, Hex Hd., 1/4-20 x 2"	10
21	2900031	Lock Washer, 5/16" Split	6
22	2503983	O-Ring AS568A-143	1
23	6018247	Gasket	1
24	6018249	Spacer, 5/16 x 3/4 x .585	2
25	2504558	Grease, Lubriplate 176	1

Fuel Tank Assembly

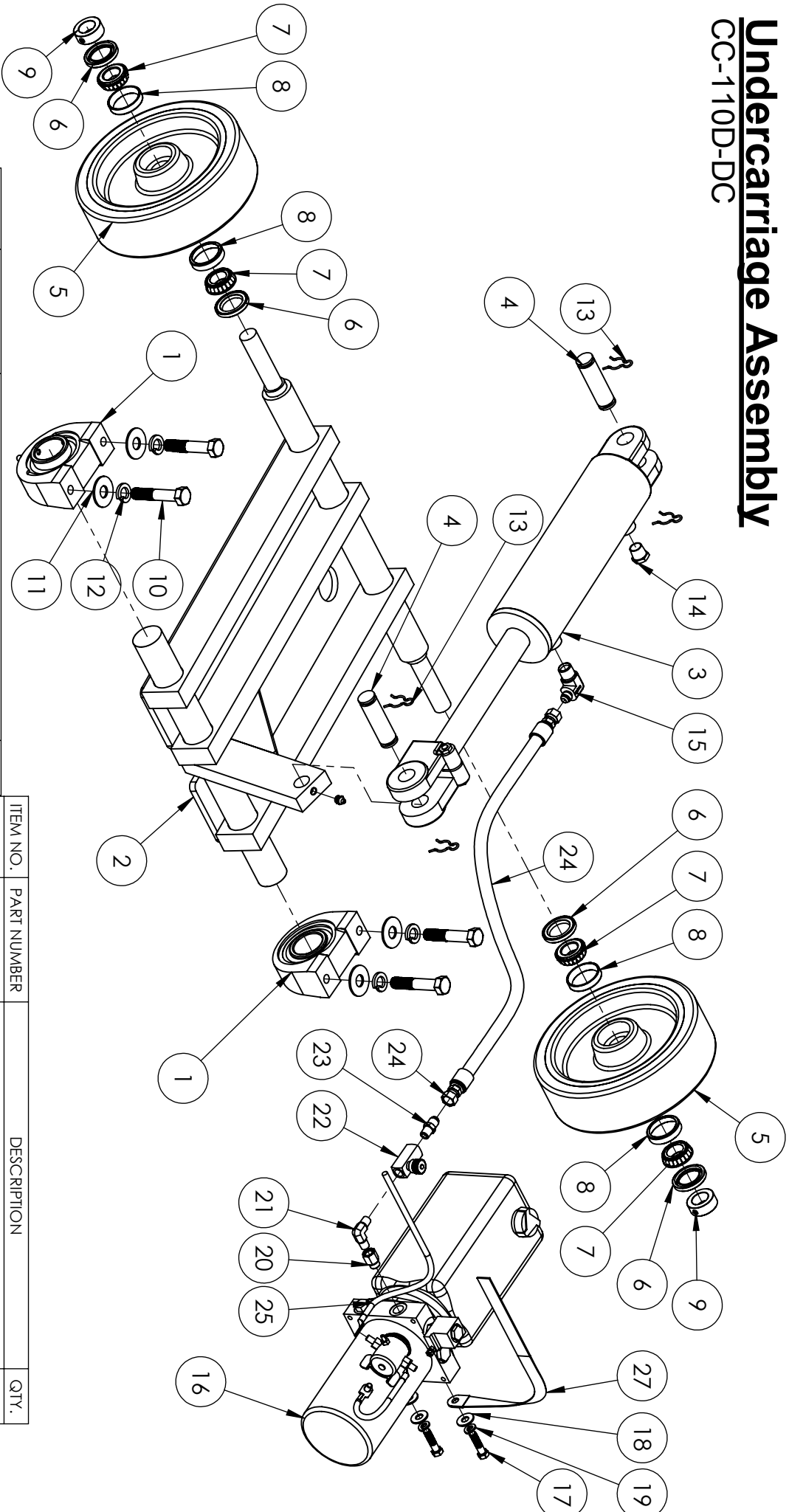
CC-110D-DC



ITEM NO.	PART NUMBER	DESCRIPTION	QTY.
1	6040700	Fuel Tank Mounting Bracket	1
2	2500650	Fuel Tank, 9 Gallon	1
3	2900019	5/16-18x .750" Hex Head Cap Screw	8
4	2900567	5/16" Flat Washer	8
5	2900031	5/16 SPLIT LOCK WASHER	8
7	2504786	Fuel Tank Cap & Gauge	1
8	3200057	Elbow, 1/4" M. Pipe to 1/4" M. JIC	1
9	3200108	Ball Valve, 1/4" NPT	1
10	3200475	Elbow, 1/4" M. Pipe to 3/8" Hose Barb	1
11	2500205	Fuel Tank Grommet	1
12	2503270	Hose Clamp #2	2
13	3205536	Fitting, 1/4" FJIC to 3/8" Push Lock Hose Barb	1
14	2703281	Fuel Suction Line, 3/8" Fuel Line (Sold Per Inch)	48
15	2703281	Fuel Return Line, 3/8" Fuel Line (Sold Per Inch)	80

Undercarriage Assembly

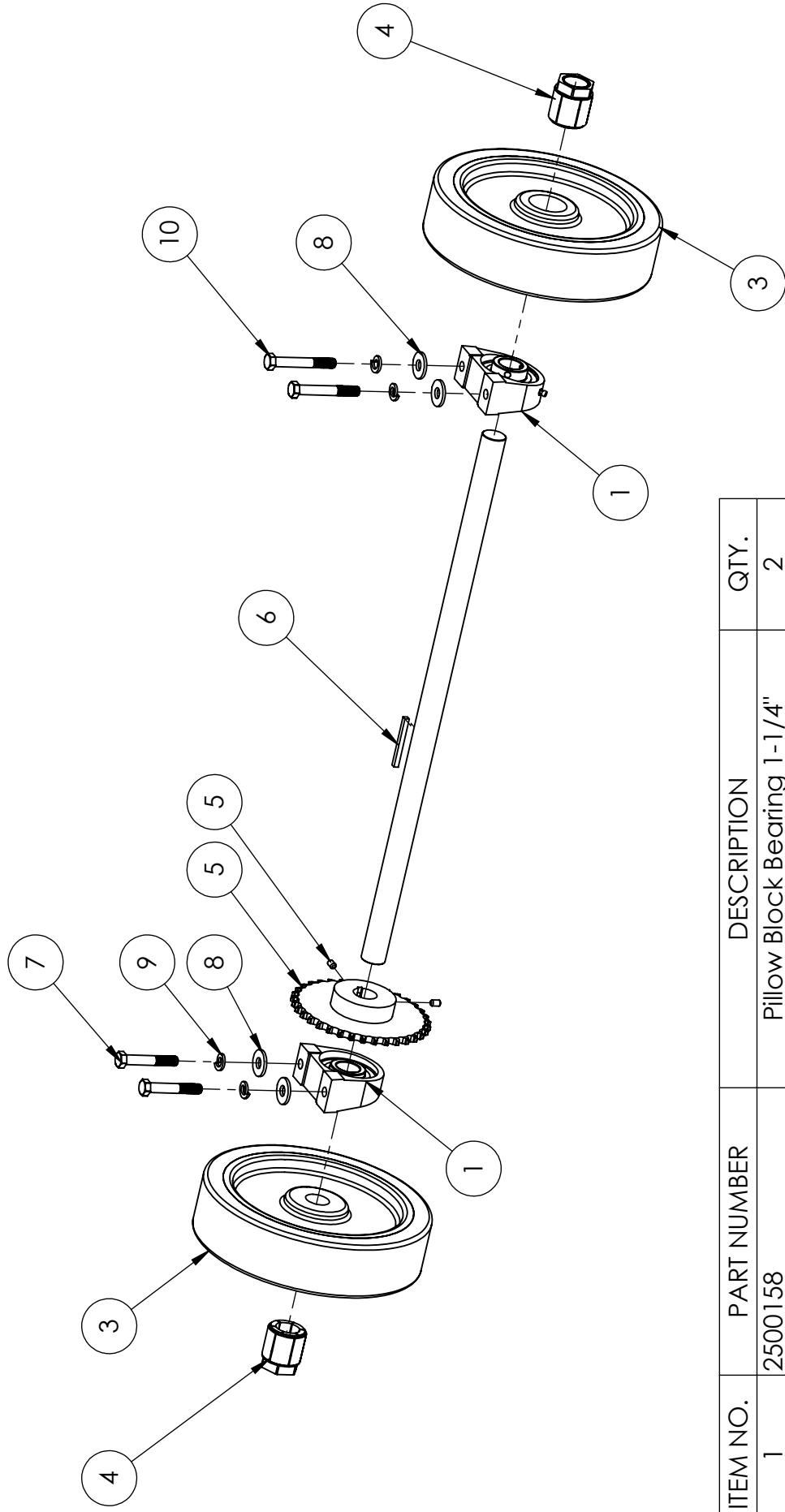
CC-110D-DC



ITEM NO.	PART NUMBER	DESCRIPTION	QTY.	ITEM NO.	PART NUMBER	DESCRIPTION	QTY.
1	2502890	CS 1-3/4" PB Bearing	2	14	3201329	.500" MPT Breather	1
2	6040467	CC-110D-DC Undercarriage Lift Frame	1	15	3201449	1/2" MPT x 3/8" MJIC	1
3	2503341	3.50" x 8" Hydraulic Cylinder	1	16	2502658	Lift Pump	1
4	6010119	Cylinder Pin, 1" Dia. x 3-1/2" Long	2	17	2900029	3/8-16 x 1.50 HEX HEAD CAP SCREW	2
5	2502645	10" Wheel Assembly	2	18	2903018	USS 3/8" Flat Washer	3
6	2501494	Seal, 1-1/4" x 1.979" x 1/4"	4	19	2900006	3/8 Split Lock Washer	2
7	2501628	Bearing L44643	4	20	3200605	Fitting, 3/8" O-Ring to 1/4" F. Pipe	1
8	2501629	Bearing R44610	4	21	3200604	Elbow, 1/4" Male Pipe	1
9	2500009	Set Collar, 1" ID	2	22	2502657	1/4" Flow Control	1
10	2903128	5/8-18 x 3.25" HHCS	4	23	3200720	6 MJIC x 4 MPT	1
11	2900128	5/8 USS Flat Washer	4	24	6070497	Hydraulic Hose, Axle Lift Cylinder	1
12	2900113	5/8 SPLIT LOCK WASHER	4	25	6070573	Power Supply, Lift Pump	1
13	2900064	Hair Pin Cotter, 3/4"	4	26	2900062	Grease Fitting, 1/8" NPT	1
				27	2808105	Ground Wire, Flat W/ Lugs, 36.00"	1

Rear Axle Assembly

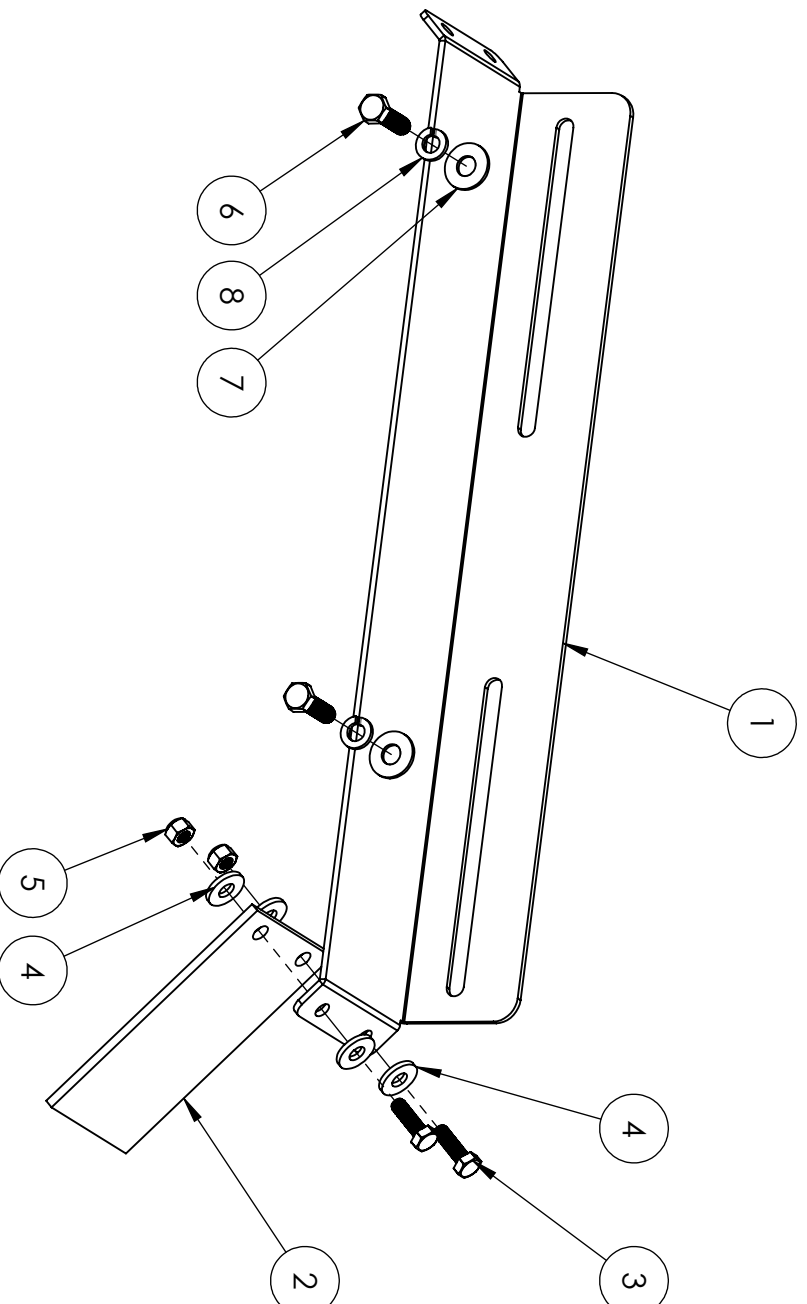
CC-110D-DC



ITEM NO.	PART NUMBER	DESCRIPTION	QTY.
1	2500158	Pillow Block Bearing 1-1/4"	2
2	2503514	30.00" Saw Axle Shaft	1
3	2502644	12" Wheel	2
4	2500874	Trantorque Bushing, 1-1/4"	2
5	2500267	Wheel Drive Sprocket, 35 Tooth	1
6	6098134	2.75" .25" x .25" Key	1
7	2900693	1/2-13 x 3.00 Hex Cap Screw	2
8	2900127	1/2" USS Flat Washer	4
9	2900084	1/2 SPLIT LOCK WASHER	4
10	2903092	1/2-13 x 3.50" HHCS	2

Splash Shield Assembly

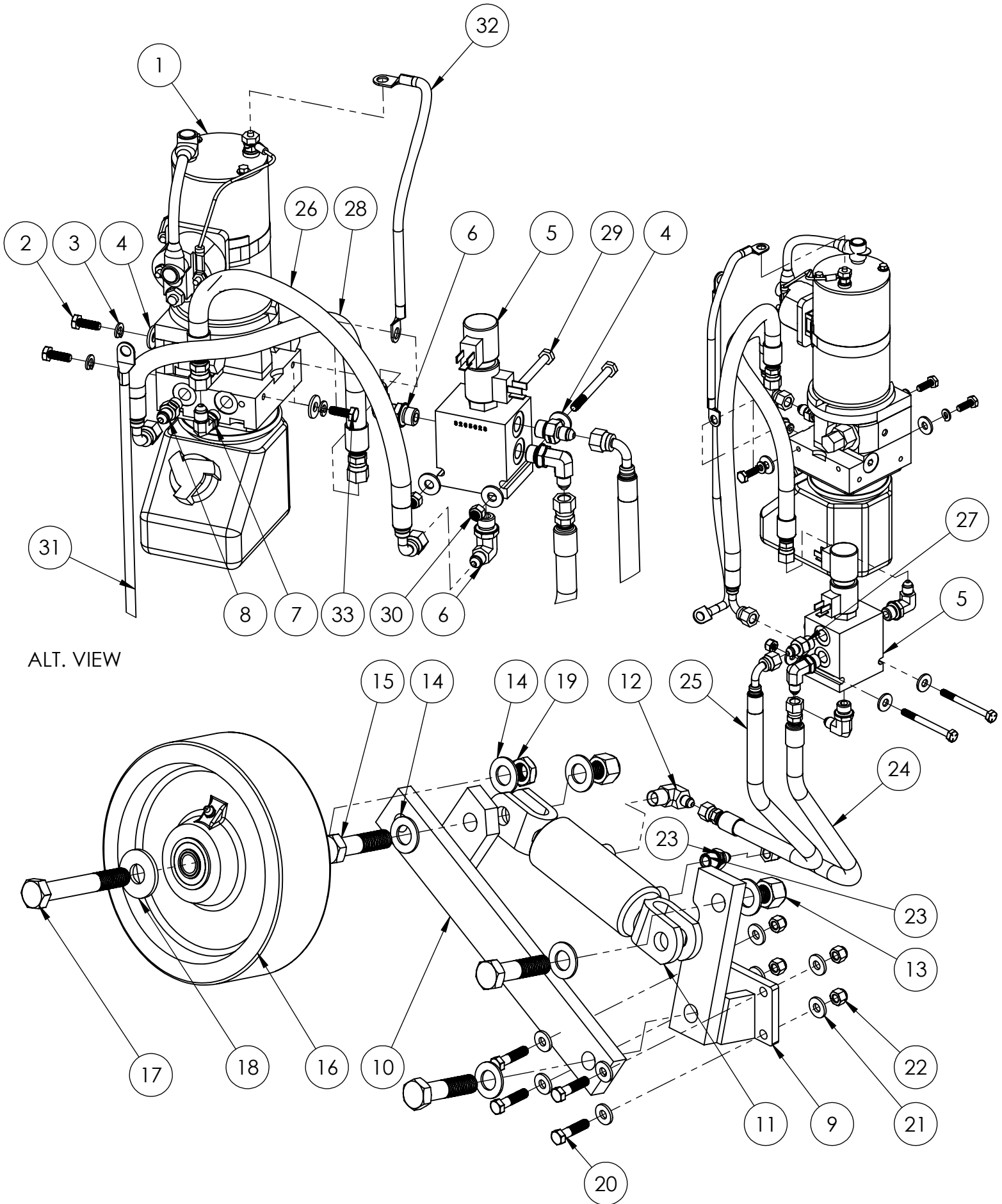
CC-110D-DC



ITEM NO.	PART NUMBER	DESCRIPTION	QTY.
1	2503531	Splash Guard	1
2	6070593	Splash Guard, Rubber Flap	1
3	2900138	5/16-18x1.00 HEX CAP SCREW	2
4	2900567	5/16" Flat Washer	4
5	2900039	5/16"-18 Nylock Hex Nut	2
6	2900013	3/8-16 X 1.25" HHCS	2
7	2903018	USS 3/8" Flat Washer	2
8	2900006	3/8 Split Lock Washer	2

Fifth Wheel & Pump Assembly

CC-110D-DC



ALT. VIEW

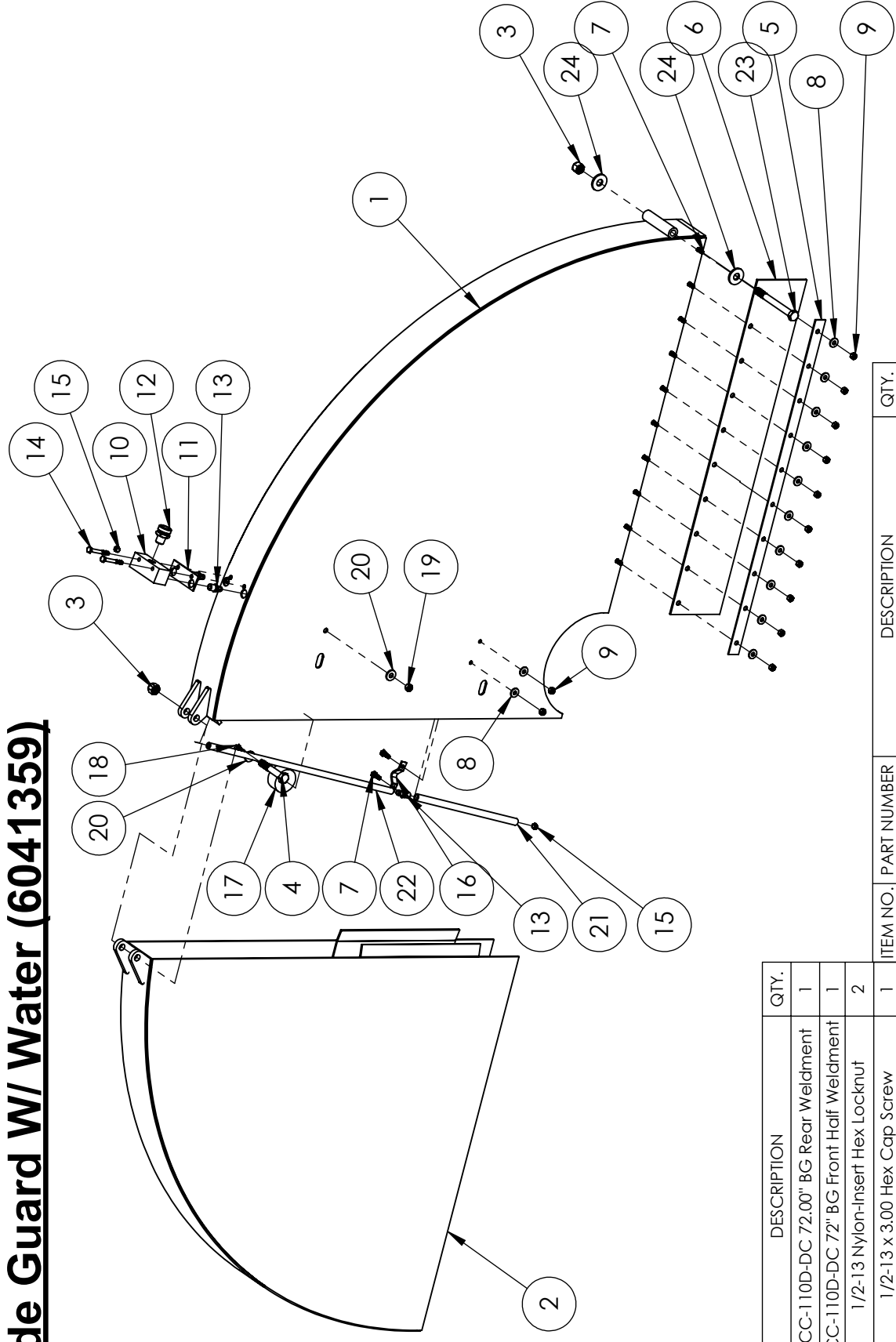
Fifth Wheel & Pump Assembly

CC-110D-DC

ITEM NO.	PART NUMBER	DESCRIPTION	QTY.
1	2603322	Electro/Hydraulic Pump Unit	1
2	2900008	1/4-20 x .750" HHCS	2
3	2900024	1/4" Split Lock Washer	3
4	2900126	1/4" USS Flat Washer	7
5	3205628	Valve, Fifth Lift Wheel	1
6	3200551	Elbow, 3/8" O-Ring to 1/4" M. JIC	3
7	3200214	Elbow, 1/4" M. O-Ring to 1/4" M. JIC	1
8	3201006	#4 MJIC x #4 M O-Ring	1
9	6075022	Fifth Wheel Mount Bracket	1
10	2503530	DC Bogey Wheel Lever	1
11	2503344	1-1/2 x 6 Double Actuator Cylinder	1
12	3200899	Fitting, 3/8MPT x 1/4 MJIC x 90 Degree	1
13	2900467	3/4-10 Nylon-Insert Hex Locknut	3
14	2900003	3/4" SAE Flat Washer	7
15	2903140	3/4-10 x3.00 HHCS	3
16	2503495	Wheel, 10x3	1
17	2901029	3/4-10 x 5.00" Hex Head Cap Screw	1
18	2903136	3/4" USS Flat Washer	1
19	2900729	3/4-10 Nylon Insert Lock Nut, Thin	1
20	2900029	3/8-16 x 1.50 HEX HEAD CAP SCREW	4
21	2900567	5/16" Flat Washer	8
22	2900018	Lock Nut, 3/8-16 Nylon	4
23	3202116	04 MJIC-06MPT Straight.SLDPRT	1
24	3205737	Hydraulic Hose, 04-04FJ-04FJ90T-16.00"	1
25	3205736	Hydraulic Hose, 04-04FJ-04FJ90T-20.75"	1
26	3205736	Hydraulic Hose, 04-04FJ-04FJ90T-20.75"	1
27	3205657	06 O-Ring - 04 MJIC Straight	1
28	3205737	Hydraulic Hose, 04-04FJ-04FJ90T-16.00"	1
29	2900380	1/4-20 x 2.75 HHCS	2
30	2900010	1/4-20 Nylon-Insert Hex Locknut	2
31	6070570	Fifth Wheel Pump, Power Supply	1
32	6070571	Fifth Wheel Pump Ground	1
33	2900114	1/4-20x.750 HEX CAP SCREW	1

72.00" Blade Guard W/ Water (6041359)

CC-110D-DC

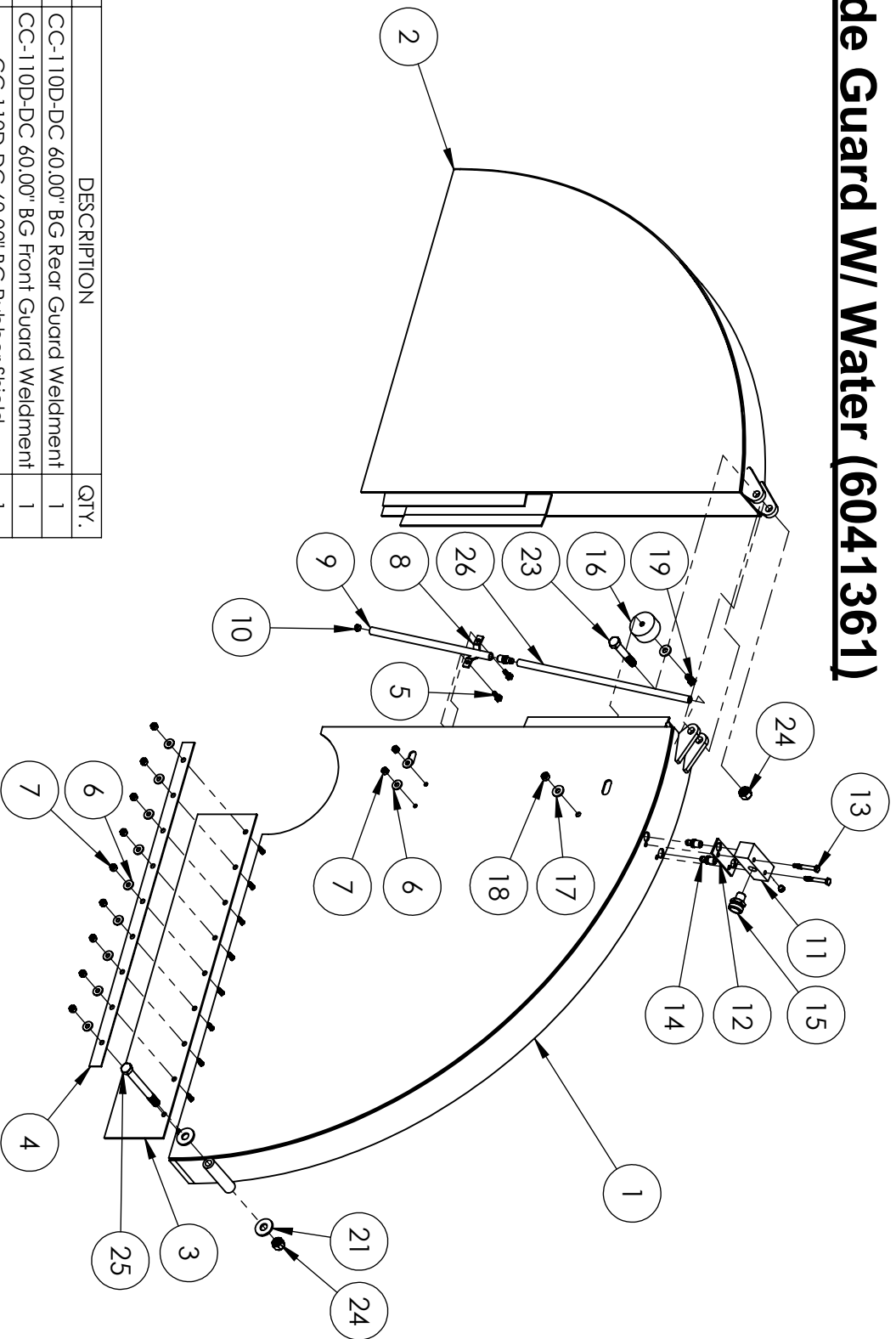


ITEM NO.	PART NUMBER	DESCRIPTION	QTY.
1	6070561	CC-110D-DC 72.00" BG Rear Weldment	1
2	6070560	CC-110D-DC 72" BG Front Half Weldment	1
3	2900026	1/2-13 Nylon-Insert Hex Locknut	2
4	2900693	1/2-13 x 3.00 Hex Cap Screw	1
5	6070559	72.00" BG Lock Strip	1
6	6070598	Rubber Shield	1
7	2900114	1/4-20x.750 HEX CAP SCREW	14
8	2900126	1/4" USS Flat Washer	14
9	2900010	1/4-20 Nylon-Insert Hex Locknut	16
10	6010264	Water Manifold	1
11	2500830	Water Manifold Gasket	1
12	3200596	Fitting, 3/8" MPT to 3/4" F. Garden Hose	1
13	3200669	1/4 MPT x 1/4 HOSE BARB	4
14	2900294	1/4-20 Hex Head Cap Screw	2
15	3201094	1/8" Solid Hex-Socket Plug	3

ITEM NO.	PART NUMBER	DESCRIPTION	QTY.
16	6048155	Water Tube Clamp	2
17	2507112	Wear Puck, Blade Guard	2
18	2900019	5/16-18x.750" Hex Head Cap Screw	2
19	2900039	5/16"-18 Nylock Hex Nut	2
20	2900567	5/16" Flat Washer	4
21	6010086	Water Tube for Blade Guard	2
22	3201343	5/16 Tube (Sold Per Inch)	42
23	2903095	1/2-13 x 5.00 Hex Head Cap Screw	1
24	2900127	1/2" USS Flat Washer	4
25	2900025	1/2-13 x 1.25 HHCS	2
26	2900084	1/2 SPLIT LOCK WASHER	2

60.00 Blade Guard W/ Water (6041361)

CC-110D-DC

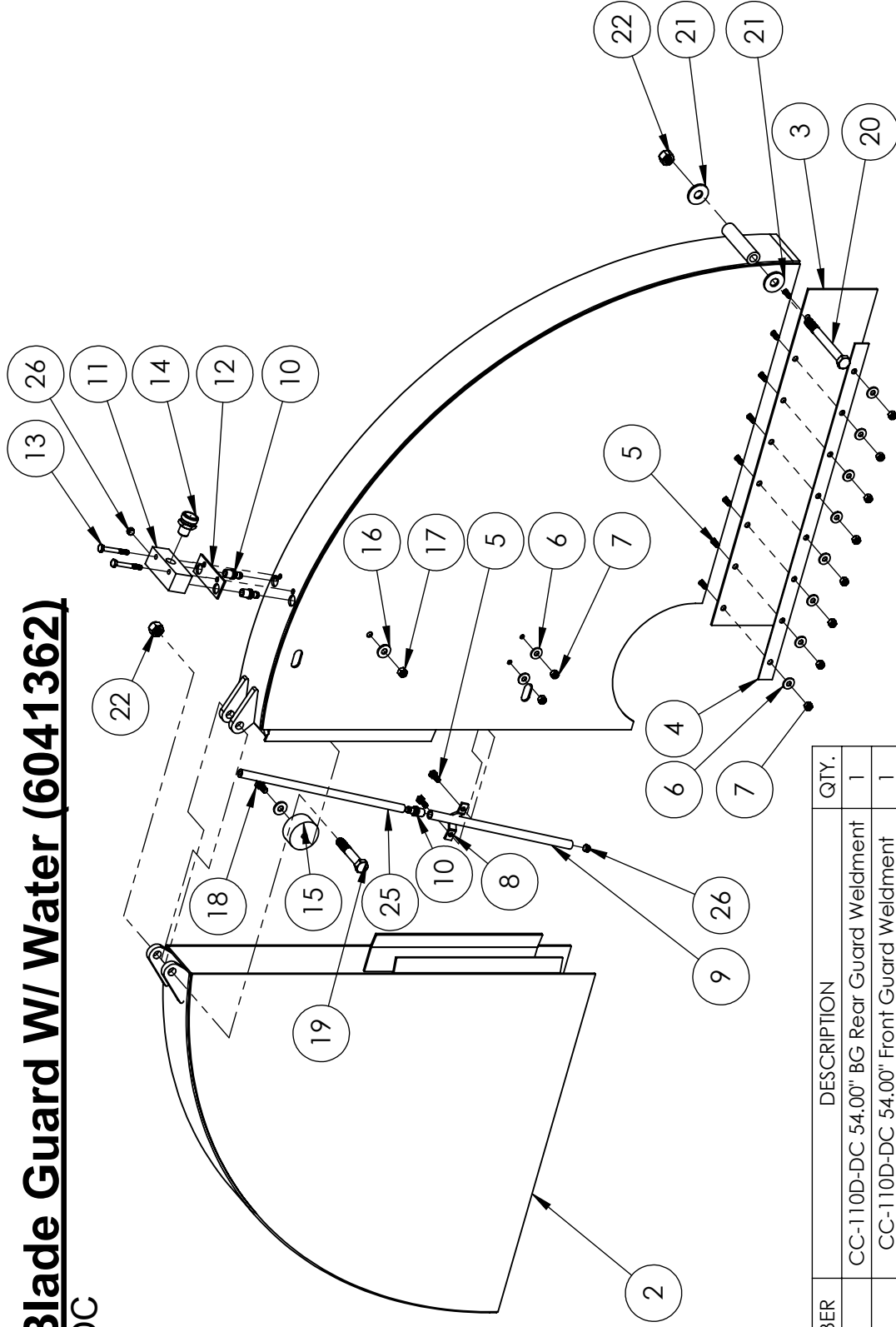


ITEM NO.	PART NUMBER	DESCRIPTION	QTY.
1	6070567	CC-110D-DC 60.00" BG Rear Guard Weldment	1
2	6070566	CC-110D-DC 60.00" BG Front Guard Weldment	1
3	6070597	CC-110D-DC 60.00" BG Rubber Shield	1
4	6070558	CC-110D-DC BG Lock Strip, 60.00"	1
5	2900114	1/4-20x.750 HEX CAP SCREW	13
6	2900126	1/4" USS Flat Washer	13
7	2900010	1/4-20 Nylon-Insert Hex Locknut	15
8	6048155	Water Tube Clamp	2
9	6010086	Water Tube for Blade Guard	2
10	3201094	1/8" Solid Hex-Socket Plug	3
11	6010264	Water Manifold	1
12	2500830	Water Manifold Gasket	1
13	2900294	1/4-20 Hex Head Cap Screw	2
14	3200669	1/4 MPT x 1/4 HOSE BARB	4
15	3200596	Fitting, 3/8" MPT to 3/4" F. Garden Hose	1

ITEM NO.	PART NUMBER	DESCRIPTION	QTY.
16	2507112	Wear Puck, Blade Guard	2
17	2900567	5/16" Flat Washer	4
18	2900039	5/16"-18 Nylock Hex Nut	2
19	2900019	5/16-18x .750" Hex Head Cap Screw	2
20	2900025	1/2-13 x 1.25 HHCS	2
21	2900127	1/2" USS Flat Washer	4
22	2900084	1/2 SPLIT LOCK WASHER	2
23	2900693	1/2-13 x 3.00 Hex Cap Screw	1
24	2900026	1/2-13 Nylon-Insert Hex Locknut	2
25	2903095	1/2-13 x 5.00 Hex Head Cap Screw	1
26	3201343	5/16 Water Tube (Sold Per Inch)	31

54.00" Blade Guard W/ Water (6041362)

CC-110D-DC



ITEM NO.	PART NUMBER	DESCRIPTION	QTY.
1	6070569	CC-110D-DC 54.00" BG Rear Guard Weldment	1
2	6070568	CC-110D-DC 54.00" Front Guard Weldment	1
3	6070555	54.00" Blade Guard Rubber Shield	1
4	6070556	54.00 DC Blade Guard Lock Strip	1
5	2900114	1/4-20x.750 HEX CAP SCREW	12
6	2900126	1/4" USS Flat Washer	12
7	2900010	1/4-20 Nylon-Insert Hex Locknut	14
8	6048155	Water Tube Clamp	2
9	6010086	Water Tube for Blade Guard	2
10	3200669	1/4 MPT x 1/4 HOSE BARB	4
11	6010264	Water Manifold	1
12	2500830	Water Manifold Gasket	1
13	2900294	1/4-20 Hex Head Cap Screw	2
14	3200596	Fitting, 3/8" MPT to 3/4" F. Garden Hose	1
15	2507112	Wear Puck, Blade Guard	2

ITEM NO.	PART NUMBER	DESCRIPTION	QTY.
16	2900567	5/16" Flat Washer	4
17	2900039	5/16"-18 Nylock Hex Nut	2
18	2900019	5/16-18x .750" Hex Head Cap Screw	2
19	2900693	1/2-13 x 3.00 Hex Cap Screw	1
20	2903095	1/2-13 x 5.00 Hex Head Cap Screw	1
21	2900127	1/2" USS Flat Washer	4
22	2900026	1/2-13 Nylon-Insert Hex Locknut	2
23	2900025	1/2-13 x 1.25 HHCS	2
24	2900084	1/2 SPLIT LOCK WASHER	2
25	3201343	5/16 Water Tube(Sold Per Inch)	25.50
26	3201094	1/8" Solid Hex-Socket Plug	3

Quick Reference List

Replacement Parts

Description	Use	QTY. Per Saw	Part Number
5V1000 Belt	Engine to Jack Shaft	5	2506430
Poly Chain Belt	Jack Shaft to Blade Shaft	1	2502776
V-Belt 4L560W	Engine Cooling Fan	2	2502125
Air Filter	Engine Cooling Fan	1	2502780
Primary Filter	Engine Air Intake Filter (Primary)	1	2506414
Secondary Filter	Engine Air Intake Filter (Secondary)	1	2506415
Primary Fuel Filter	Engine Diesel Fuel Filter	1	2707347
Fuel/Water Separator	Engine Diesel Fuel Water Separator	1	2707348
Oil Filter	Engine Oil Filter	1	2707346
Belt, 25-24476	Alternator Belt	1	2708048
V Belt, 1/2 x 68"	Transmission Belt	1	2502567

Recommended Fluids

Oil Capacity = 8.5 Liters (9 quarts)

- Recommended Oil Type = High Quality SAE 15W-40 Heavy Duty

Coolant Capacity (Engine Only) = 4.5 Liters (4.75 Quarts)

- Recommended Coolant = 50/50 Mix, Cummins Compleat ES DCA4 Plus

Fuel Capacity = 9.0 Gallons (34 Liters)

- Recommended Fuel = ASTM 2D Ultra Low Sulfur Diesel Fuel

Maintenance Schedule,

***See accompanying Cummins Operation & Maintenance Manual For Complete Maintenance and Recommendations.**

Daily Check

- Visual Machine Inspection
 - Loose Or Damaged Parts
 - Unusual Noise or Vibration
 - Missing Safety Devices
 - Leaks
- Engine Oil Level
- Engine Coolant Level
- Belt Condition and Tension Including Engine & Aux. Driven Belts
- Cooling Fan Filter / Air Intake Filter
- Drain Water From Fuel/Water Separator
- Lubricate All Grease Points, Including Blade Shaft & Jackshaft Bearings.

250 Hours

- Engine Oil & Filter

500 Hours

- Fuel Filters

1000 Hours

- Engine Drive Belts
- Fuel Lines

2000 Hours

- Drain, Flush Fill Cooling System
- Engine Adjustments

Maintenance & Repair Record

Date	Service Performed	Part Used



EQUIPMENT AND PARTS WARRANTY

Diamond Products warrants all equipment manufactured by it against defects in workmanship or materials for a period of one (1) year from the date of shipment to Customer.

The responsibility of Diamond Products under this Warranty is limited to replacement or repair of defective parts at Diamond Products' Elyria, Ohio factory, or at a point designated by it, of such parts as shall appear to us upon inspection at such parts, to have been defective in material or workmanship, with expense for transportation and labor borne by Customer.

In no event shall Diamond Products be liable for consequential or incidental damages arising out of the failure of any Product to operate properly.

Integral units such as engines, electric motors, batteries, transmissions, etc., are excluded from this Warranty and are subject to the prime manufacturer's warranty.

THIS WARRANTY IS IN LIEU OF ALL OTHER WARRANTIES, EXPRESSED OR IMPLIED, AND ALL SUCH OTHER WARRANTIES ARE HEREBY DISCLAIMED.



333 Prospect Street, Elyria, Ohio 44035
(440) 323-4616 • (800) 321-5336 • Fax (440) 323-8689
www.diamondproducts.com