

DIAMOND
PRODUCTS

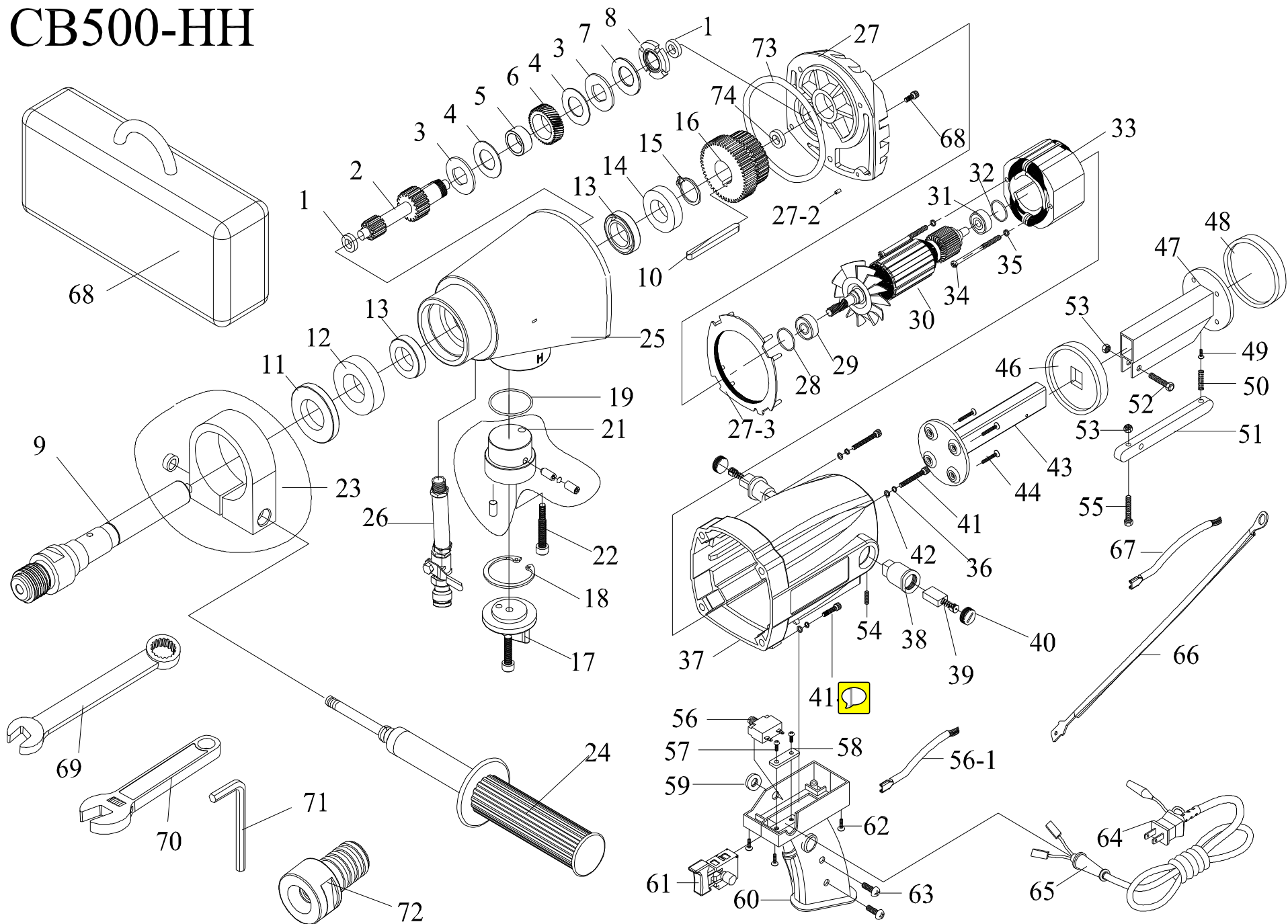
DRILL MOTOR
PARTS LIST

MODEL:
CB500-HH

(March 2009)

PART#: 1801142

CB500-HH



CB500-HH

Parts List

Item No.	Part No.	Qty.	Description	Item No.	Part No.	Qty.	Description
1	2705550	3	Bearing 608ZZ/CM	38	2705587	2	Brush Tube 7*11
2	2705551	1	Shaft, Secondary	39	2705589	1	Carbon Brush (2)
3	2705552	2	Plate	40	2705590	2	Brush Cover
4	2705553	2	Friction Plate	41	2705591	4	Screw M5 X 0.8 X 40
5	2705554	1	Copper Collar	42	2705592	4	Spring Washer M5
6	2705555	1	Gear, Second	43	2705593	1	Telescoping Tube
7	2705556	1	Disk Spring	44	2705594	4	Screw 5/32" x .625
8	2705557	1	U-Nut	45	2705595	4	Nut M5 (NO LONGER REQ.)
9	2705558	1	Spindle 5/8"-11	46	2705596	1	Holder
10	2705559	1	Woodruff Key	47	2705597	1	Telescoping Tube
11	2705560	1	Seal, 25x50x8	48	2705598	1	Holder
12	2705561	1	Ball Bearing 6005LLU	49	2705599	1	Screw 1/8"
13	2705562	2	Seal, 22x35x8	50	2705600	1	Spring
14	2705563	1	Bearing 6904LLU	51	2705601	1	Shifter
15	2705564	1	S-ring S20	52	2705602	1	Screw M6 X 35
16	2705565	1	Gear, First	53	2705603	2	Nut M6
17	2705566	1	Speed shift knob	54	2705588	2	Screw M5 X 0.8 X 10
18	2705567	1	R-ring R32	55	2705604	1	Screw M6 X 25
19	2705568	1	O-ring	56	2705605	1	Circuit Breaker
20	N/A		See Figure #21 (2705570)	57	2705606	2	Screw 5/32" X .500
21	2705570	1	Speed Shift Base	58	2705607	1	Cable Fix Plate
22	2705571	1	Screw, M5X0.8X45	59	2705608	1	Washer
23	2705572	1	Handle Collar	60	2705609	1	Trigger Handle
24	2705573	1	Handle	61	2705610	1	Power Switch
25	2705574	1	Gear Case	62	2705611	4	Screw 5/32" X 1.500
26	2705575	1	Hose Set	63	2705612	2	Screw 5/32" X .750
26.2	2705622	1	Plastic Hose	64	2705613	1	Electric Cable
26.3	2705623	1	Fitting, Brass Barb 3/4" X 3/8"	65	2705614	1	Female Quick Connect
27	2705576	1	Diaphragm	66	2705615	1	Ground Cable
27.2	2705855	1	Pin	67	2705616	1	Cable
27.3	2705856	1	Baffle	68	2705617	1	Carrying Case
28	2705577	1	O-Ring 224	69	2705618	1	27mm Wrench
29	2705578	1	Bearing, 609LLU/C3	70	2705619	1	Adjustable Wrench
30	2705579	1	Armature	71	2705620	1	5 mm Allen Wrench
31	2705580	1	Bearing, 608ZZ/C3	72	2705621	1	Adaptor 5/8"-11 to 1 1/4"-7
32	2705581	1	Filling Ring 608	N/A	2705624	1	Tool Set (includes #69-72)
33	2705582	1	Field	73	2705857	1	O-ring (80X2.0MM)
34	2705583	2	Screw 3/16 x 2.500	74	2705858	1	Bearing (608ZZ)
35	2705584	2	Spring Washer M5				
36	2705585	2	Nut M5 (NO LONGER REQ.)				
37	2705586	1	Motor House				

EQUIPMENT AND PARTS WARRANTY

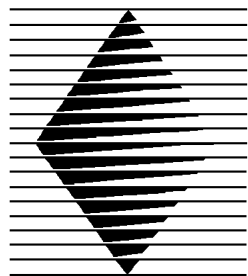
Diamond Products warrants all equipment manufactured by it against defects in workmanship or materials for a period of one (1) year from the date of shipment to Customer.

The responsibility of Diamond Products under this Warranty is limited to replacement or repair of defective parts at Diamond Products' Elyria, Ohio factory, or at a point designated by it, of such parts as shall appear to us upon inspection at such parts, to have been defective in material or workmanship, with expense for transportation and labor borne by Customer.

In no event shall Diamond Products be liable for consequential or incidental damages arising out of the failure of any Product to operate properly.

Integral units such as engines, electric motors, batteries, transmissions, etc., are excluded from this Warranty and are subject to the prime manufacturer's warranty.

THIS WARRANTY IS IN LIEU OF ALL OTHER WARRANTIES, EXPRESSED OR IMPLIED, AND ALL SUCH OTHER WARRANTIES ARE HEREBY DISCLAIMED.



DIAMOND PRODUCTS

333 Prospect Street, Elyria, Ohio 44035
(440) 323-4616 • (800) 321-5336 • Fax (440) 323-8689
www.diamondproducts.com