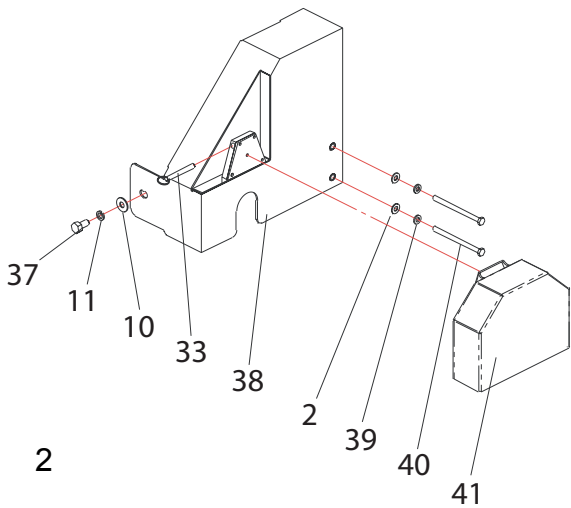
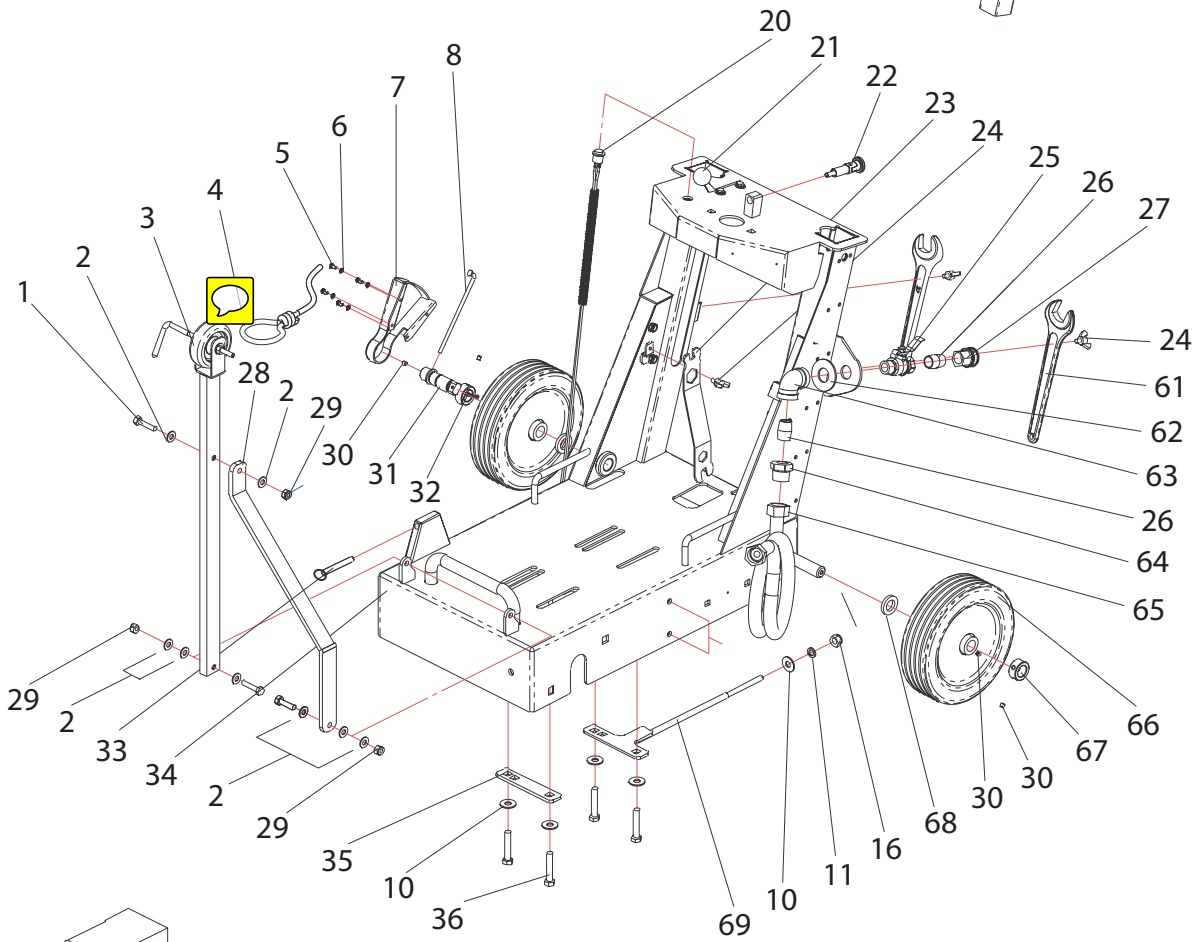
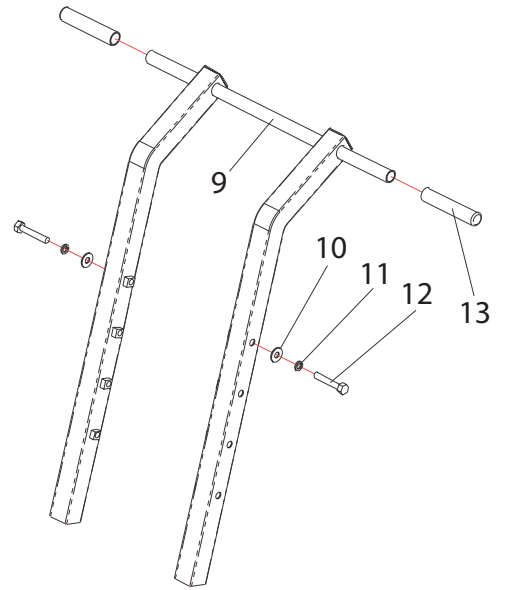
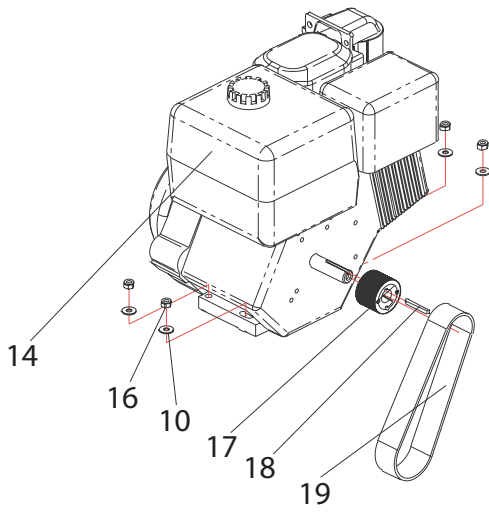


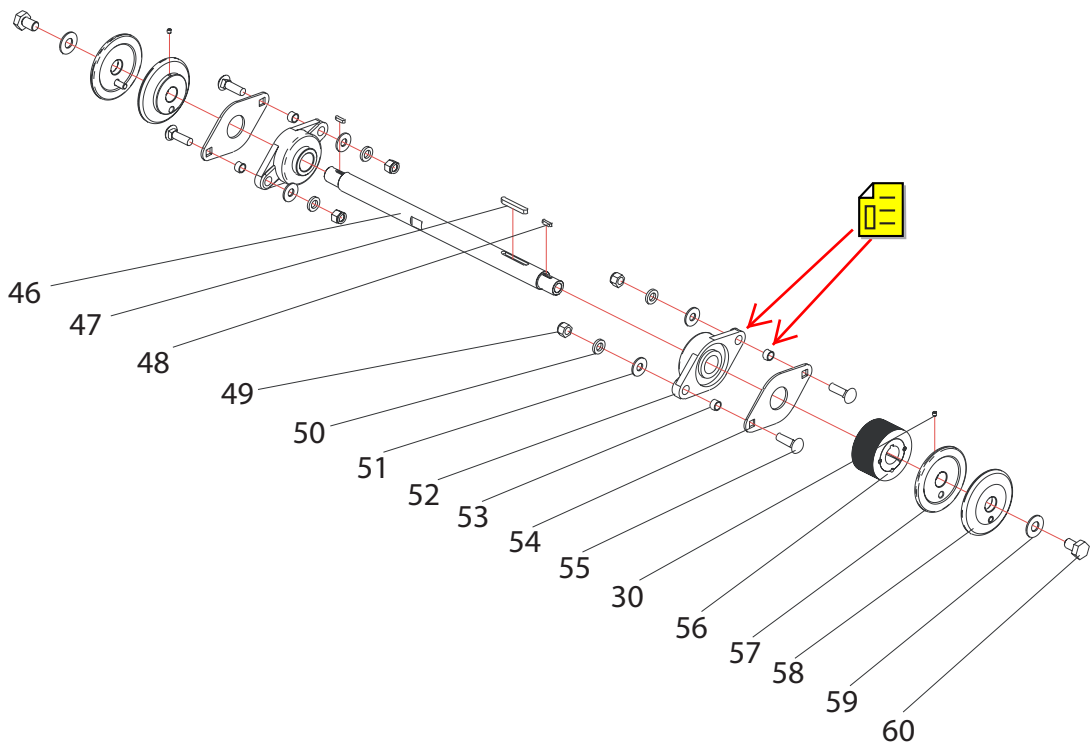
DIAMOND
PRODUCTS

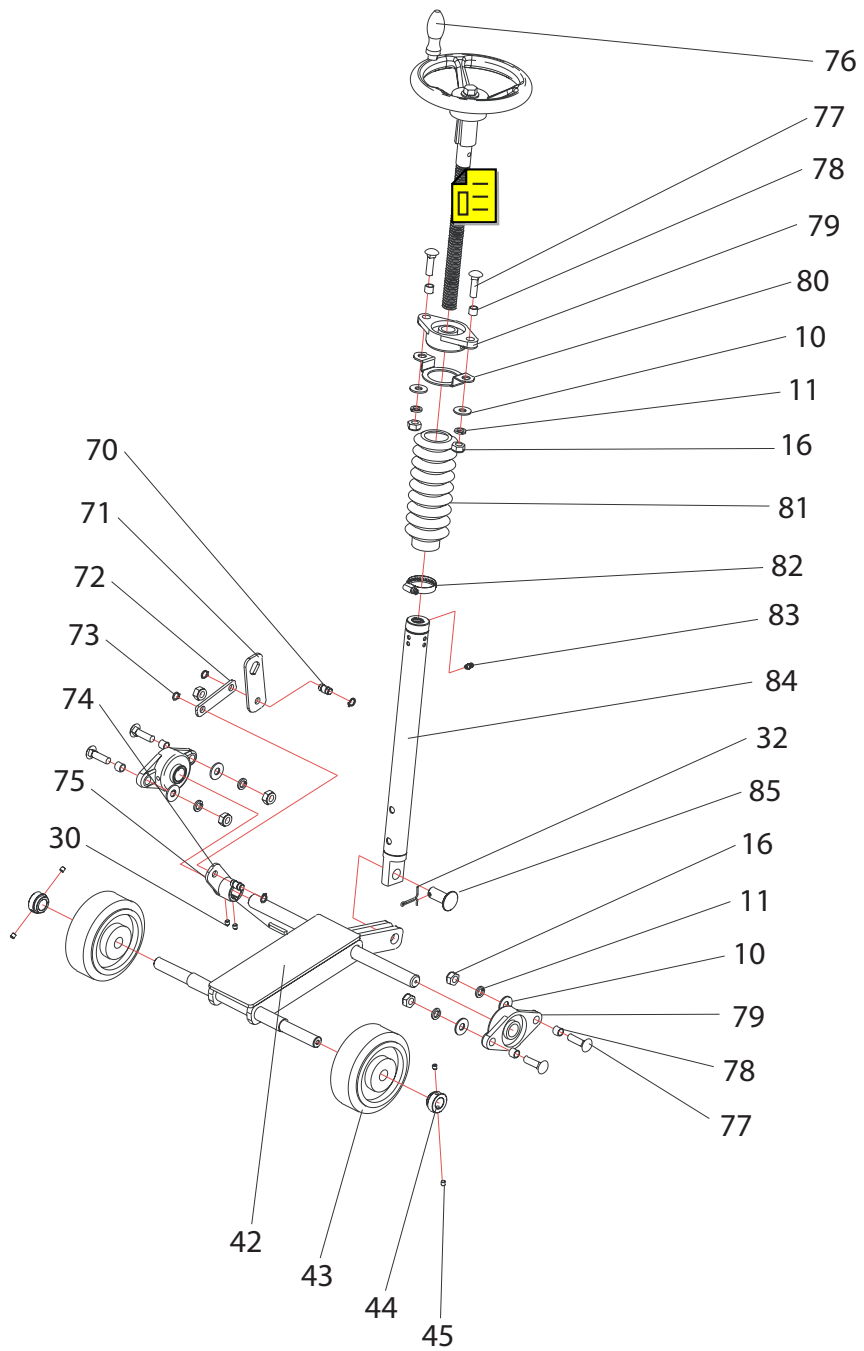
CONCRETE SAW
PARTS LIST

MODEL
CC1200

(Revised 11-11-05)

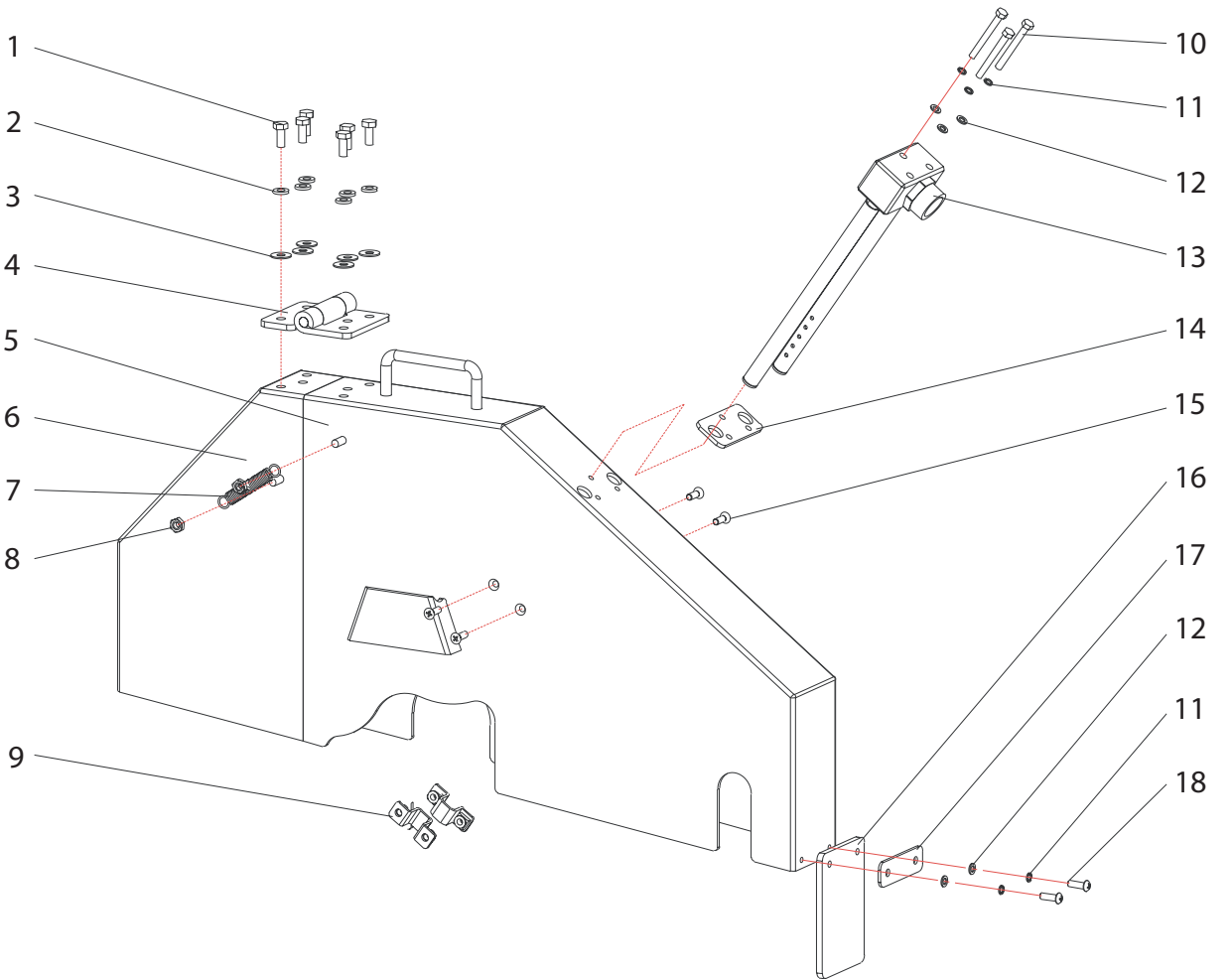
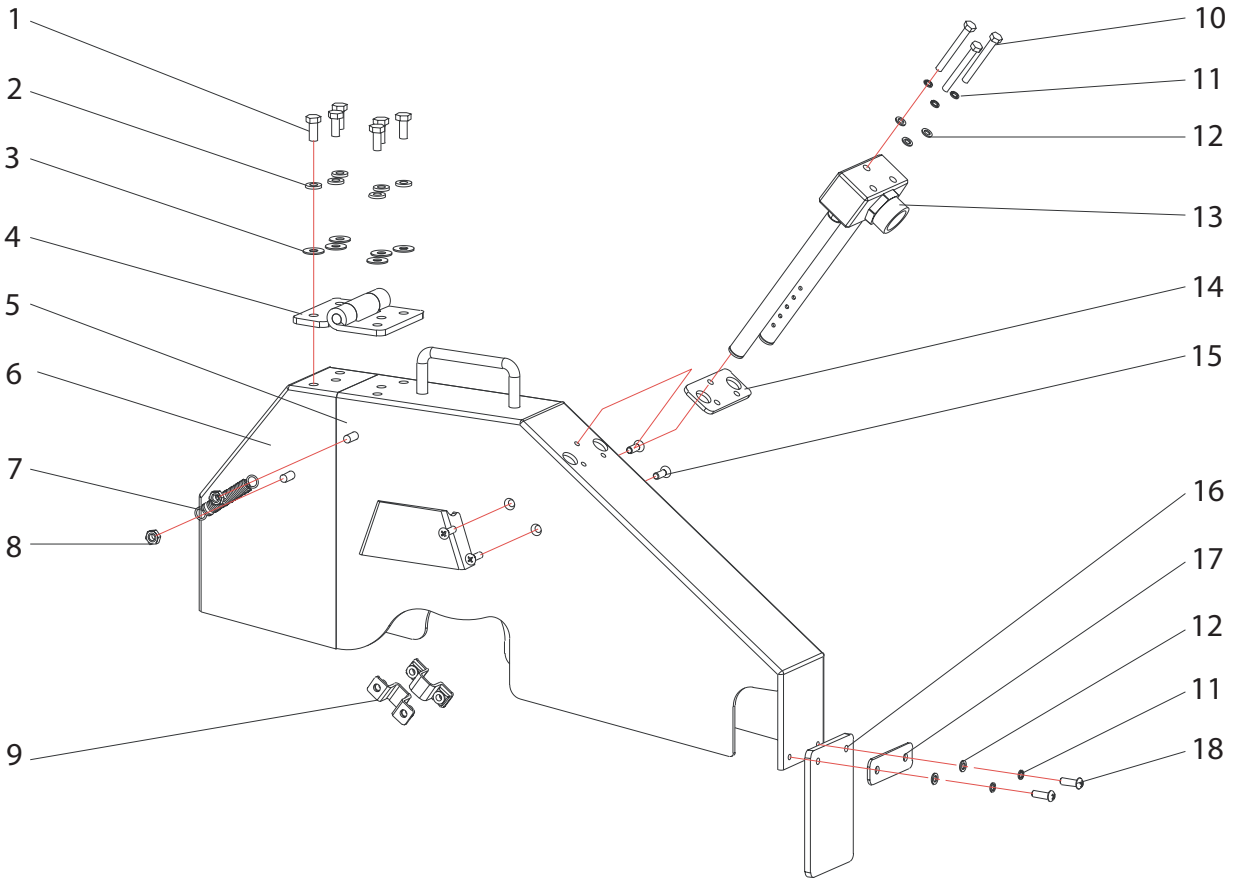






Item	Part No.	Qty.	Description
1	2900760	2	Capscrew ,M8-35L
2	2900022	10	Washer ,5/16" Flat
3	6043403	1	Pointer Bar Straight
4	6043404	1	Point Rope
5	2900761	4	Screw ,M4-8L
6	2900762	4	Spring Washer ,M4
7	6043407	1	Scale of depth indicator
8	6043408	1	Depth indicator
9	6043409	1	Handle Bar
10	2900014	18	Washer ,3/8" Flat
11	2900321	10	Spring Washer ,M10
12	2900338	2	Cap screw , Hex Hd., M10-60L
13	2500001	2	Handle Grip
14	2600368	1	Engine,9hp Robin
	2600160	1	Engine,9hp Honda
	2600116	1	Engine,13hp Honda
15	2502501	1	18" Blade Guard Assembly
	2502502	1	14" Blade Guard Assembly
16	2900304	11	Lock Nut ,M10/use 2900033 for 6043469
17	6043417	1	Sheave 65mm
18	6048134	1	Key, 1/4" Sq. x 2-1/4"
19	2502000	1	PJ Belt ,Pj type 280-20Groove
20	2800001	1	Push Button Stop Switch
	6048789	1	Harness Wire / w Button
21	2502505	1	Throttle control
22	6043422	1	Easy Lock
23	6043423	1	Wrench ,3rd
24	2900307	3	Wing Screw ,M6-16L
25	3200027	1	Water Valve
26	3200008	2	Close Nipple , 1/2" NPT
27	3200022	1	Fitting, 1/2"F. Pipe to 3/4"F. Garden
28	6043428	1	Pointer Bar Offset
29	2900303	3	Lock Nut Nylon ,M8
30	2900576	13	Setscrew, Soc .Hd., M6-8L
31	6043431	1	Axle of depth indicator
32	2900055	2	Cotter Pin ,1/8" x 1"
33	6043433	2	Lock Pin ,Ø8*65L
34	6043434	1	Frame
35	6043435	1	Bracket
36	2900318	4	Cap screw, Hex Hd. M 10-50L
37	2900314	1	Cap screw ,Hex Hd.,M10-20L
38	6043438	1	Belt Guard
39	2900763	2	Washer ,M8 Spring
40	2900635	2	Capscrew ,Hex Hd.,M8-120L
41	6043441	1	Shaft Guard
42	6043442	1	Front Axle Weldment
43	6043443	2	Wheel 5" Diameter

Item	Part No.	Qty.	Description
44	6043444	2	Set collar
45	2900576	2	Set screw
46	6043446	1	Blade Shaft
47	6043447	1	Pin 8*7*54L
48	6043448	2	Key ,5(mm) Sq. *20(mm)
49	2900026	4	Lock Nut ,1/2" Nylon
50	2900084	4	Spring Washer ,1/2"
51	2900058	4	Washer ,1/2" Flat
52	2504038	2	Flange Block Bearing ,UCFL207-20
53	6043453	4	Screw Tube
54	6043454	2	Bearing Spacer
55	2900764	4	Carriage Screw ,1/2"*43(mm)L
56	6043456	1	Sheave 90mm
57	6043457	2	Inner Flange ,4-1/2"
58	6043458	2	Outer Flange ,4-1/2" With Pin
59	2900002	2	Washer ,5/8"
60	2903209	1	Flange Screw ,5/8"-11 RH Thread
	2903210	1	Flange Screw ,5/8"-11 LH Thread
61	2500256	2	Wrench ,27w
62	2900295	1	Washer,1" US
63	3200209	1	1/2" F Pipe Elbow , 90 Degree
64	3200155	1	Fitting, 1/2"M. Pipe to 3/4"M. Garden
65	6011055	1	Hose Assembly
66	6043466	2	Rear Wheel
67	6043467	2	Set Collar
68	6043468	2	Rear Wheel Spacer Washer
69	6043469	1	Belt Adjustment Shaft 3/8"-16 Thread
70	6043470	2	Pin
71	6043471	1	Upper linkage for depth indicator
72	6043472	1	Lower linkage for depth indicator
73	6043473	4	Snap Ring
74	6043474	1	Lever for depth indicator
75	6043475	1	Pin ,5-5-30L
76	6043476	1	Handwheel
77	2903037	6	Carriage Screw ,3/8"x 1-1/4"
78	6043478	6	Screw Tube ,10t*Ø9.5*Ø12
79	6043479	3	Flange Block Bearing ,UCFL204
80	6043480	1	Below Mount Washer
81	6043481	1	Bellow ,25P;Ø40*Ø64*450L(MAX)
82	3200096	1	Clamp ,Ø40
83	2900706	1	Grease Fitting ,1/4-28UNF
84	6043484	1	Adjustment Shaft without fitting
85	6043439	1	Clevis Pin ,Ø16*Ø30*39H



item	Part No.	Description	Qty
1	2900341	Cap screw hex Hd. M6x16	6
2	2900765	Spring Washer, M6	6
3	2900009	Washer, M6	6
4	6043515	Hinge	1
5	6043526	14" Blade Guard, Back	1
5	6043498	18" Blade Guard, Back	1
6	6043516	14" Blade Guard, Front	1
6	6043499	18" Blade Guard, Front	1
7	2500066	Spring	1
8	2900302	Lock Nut Nylon, M6	2
9	6043519	Water Tube Clamp	2
10	2900766	Capscrew, M5*45L	3
11	2900767	Spring Washer, M5	5
12	2900926	Washer, M5	5
13	6043523	14" Manifold	1
13	6043506	18" Manifold	1
14	2500829	Manifold Gasket	1
15	2900768	Screw, M5*15L	4
16	6043527	Splash Flap	1
17	2900767	Washer, M5 Lock	1
18	2900769	Screw, M5*15L	2

EQUIPMENT AND PARTS WARRANTY

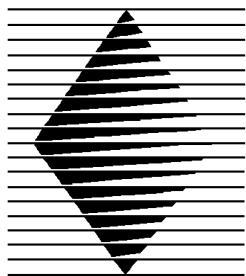
Diamond Products warrants all equipment manufactured by it against defects in workmanship or materials for a period of one (1) year from the date of shipment to Customer.

The responsibility of Diamond Products under this Warranty is limited to replacement or repair of defective parts at Diamond Products' Elyria, Ohio factory, or at a point designated by it, of such parts as shall appear to us upon inspection at such parts, to have been defective in material or workmanship, with expense for transportation and labor borne by Customer.

In no event shall Diamond Products be liable for consequential or incidental damages arising out of the failure of any Product to operate properly.

Integral units such as engines, electric motors, batteries, transmissions, etc., are excluded from this Warranty and are subject to the prime manufacturer's warranty.

THIS WARRANTY IS IN LIEU OF ALL OTHER WARRANTIES, EXPRESSED OR IMPLIED, AND ALL SUCH OTHER WARRANTIES ARE HEREBY DISCLAIMED.



DIAMOND PRODUCTS

333 Prospect Street, Elyria, Ohio 44035
(440) 323-4616 • (800) 321-5336 • Fax (440) 323-8689

www.diamondproducts.com