

DIAMOND
PRODUCTS

CONCRETE SAW
PARTS LIST

MODEL
CC1309HS-XL

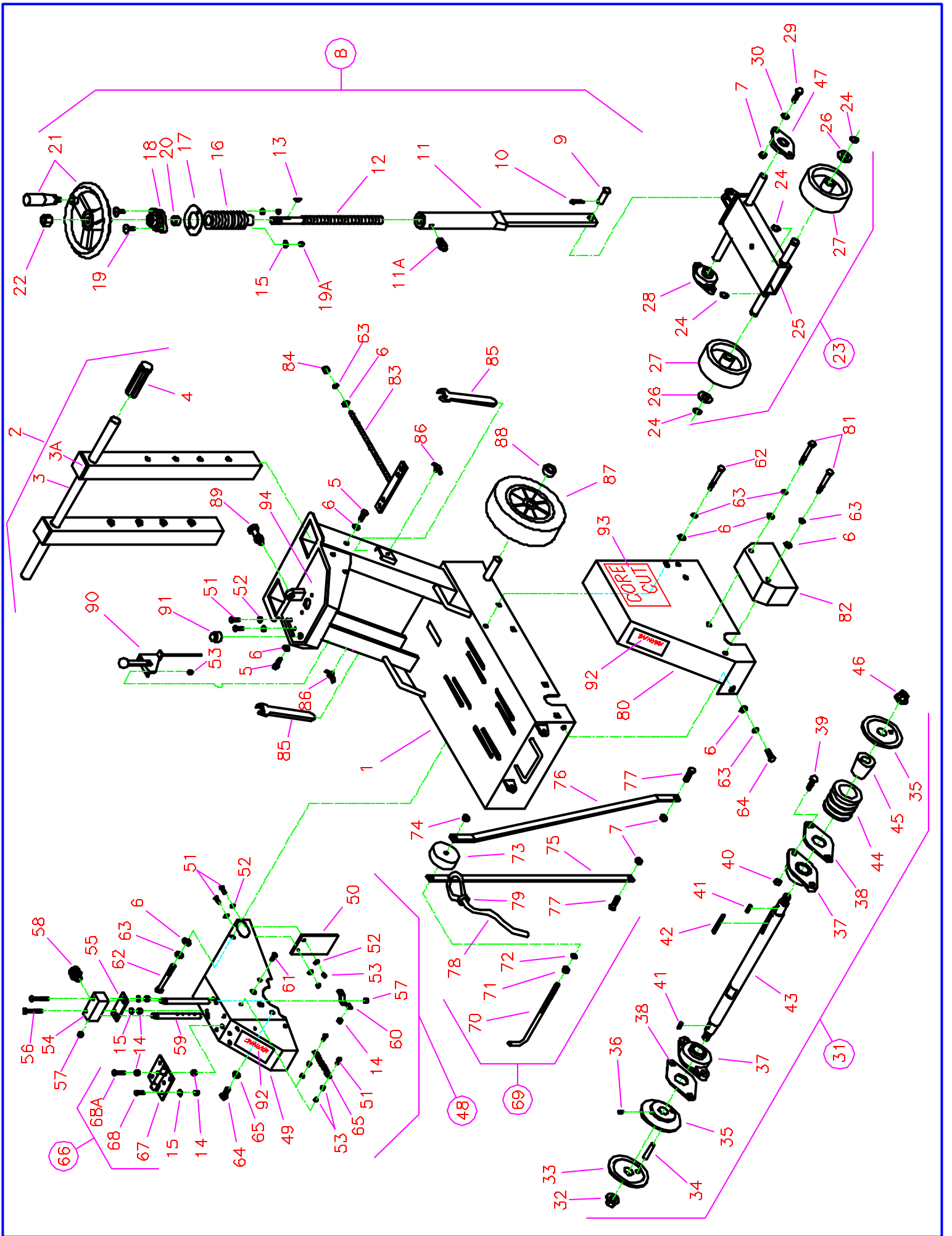
(18 NOVEMBER 2002)

1800700

CC1309XL-PARTS LIST

DRAWING I

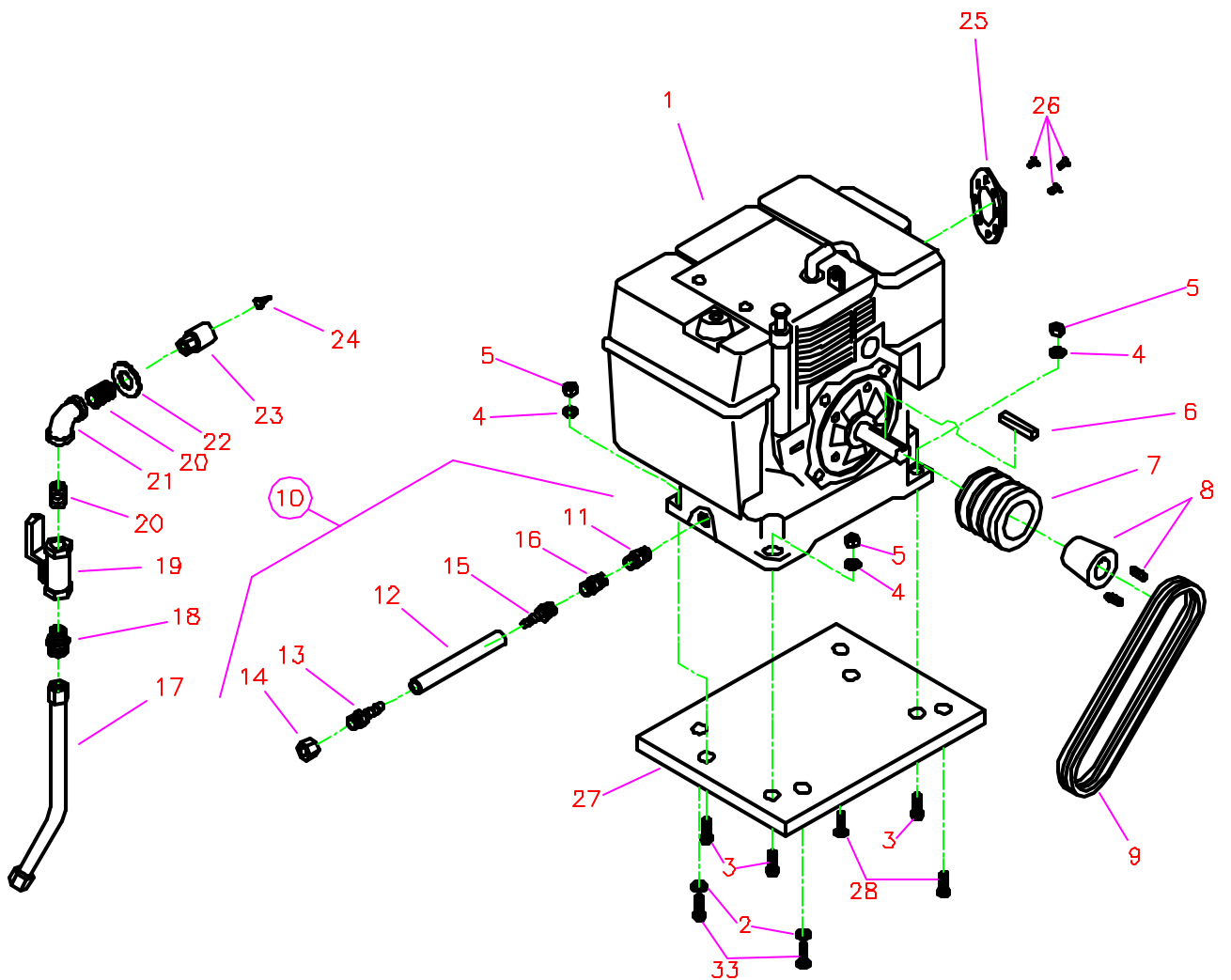
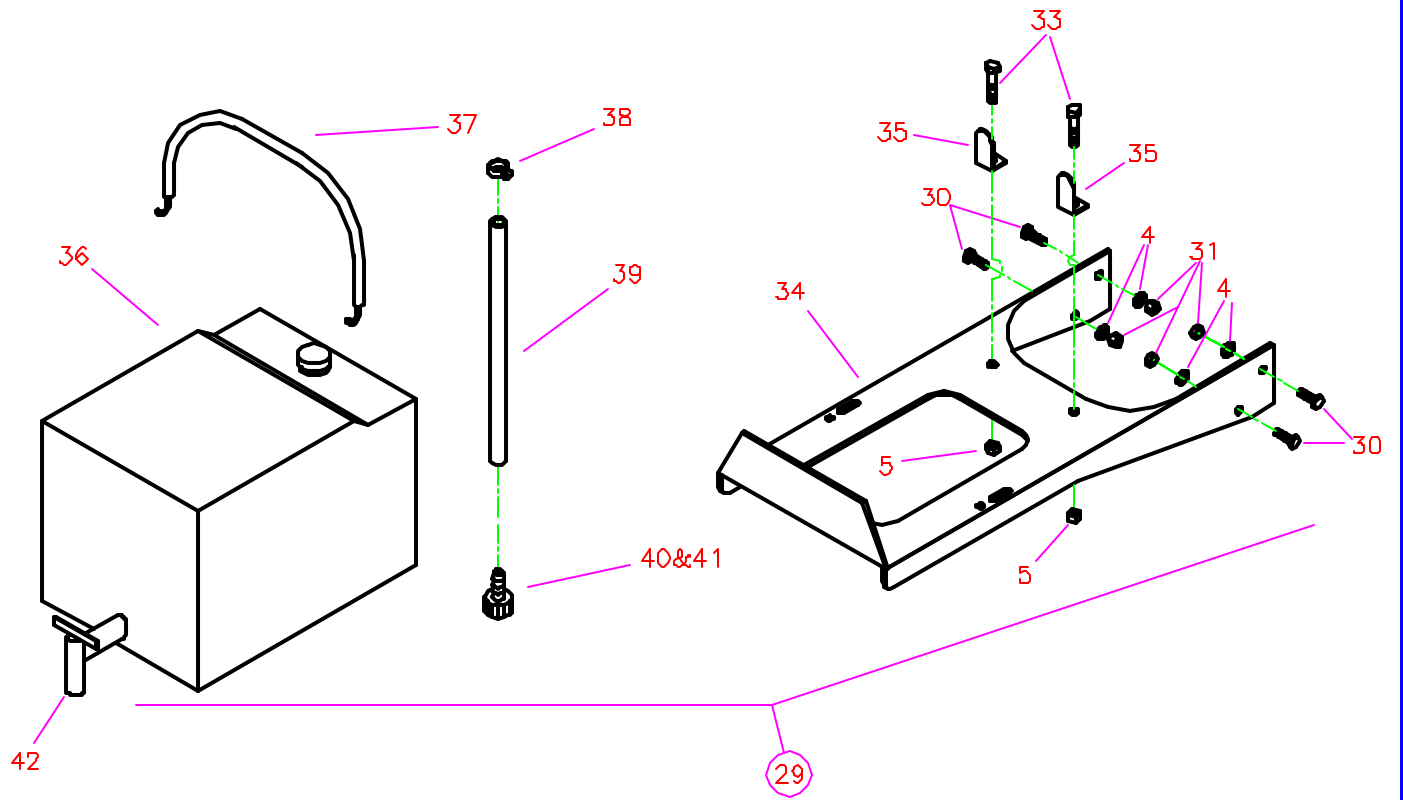
Diagram Number	Part No.	Qty. Req.	Description	Diagram Number	Part No.	Qty. Req.	Description
1	6048181	1	Frame (CC1300 XL - Version)	48	6048012	1	18" Blade Guard Assembly
2	6048182	1	Handle Bar Assembly (Includes #3 - #6)		6048010	1	14" Blade Guard Assembly
3	6040213	1	Handle Bar Only				(Includes #6, #14, #15, #49 - #66)
3A	2501441	2	Cap, 2" SQ. Poly Cap	49	6048013	1	18" Blade Guard Only
4	2500636	2	Handle Grip		6048011	1	14" Blade Guard Only
5	2900596	2	Capscrew, Hex Hd., 3/8-16 x 2-1/2	50	6048039	1	Splash Flap
6	2900014	8	Flat Washer, 3/8" SAE	51	2900309	6	Capscrew, Hex Hd. M5 x 20mm
7	2900304	6	Lock Nut, M10 Nylon	52	2900016	6	Flat Washer, #10 USS
8	6048183	1	Screw Feed Assembly (Includes #9 -#22)	53	2900301	8	Lock Nut, M5 Nylon
9	2900354	1	Clevis Pin, 1/2" Dia. x 1-3/4"	54	6048123	1	Manifold
10	2900004	1	Cotter Pin, 1/8" x 1"	55	2500829	1	Manifold Gasket
11	6047927	1	Adjustment Shaft without fitting	56	2900244	2	Capscrew, Hex Hd., M6 x 45mm
11A	2900062	1	1/8" NPT Grease Fitting	57	3200001	3	Pipe Plug, 1/8" NPT
12	6047929	1	Adjustment Screw	58	3200002	1	Fitting, 3/4" M Garden - 3/8" M Pipe
13	2900352	1	Woodruff Key #506, 5/32" x 3/4" Dia.	59	6048243	2	Water Tube For 18" Blade Guard
14	2900302	12	Lock Nut, M6 Nylon, W/ 18" Blade Guard	60	6048155	2	Water Tube Clamp
		13	With 14" Blade Guard	61	2900308	4	Capscrew, Flat Hd., M6 x 16mm
15	2900009	8	Flat Washer, 1/4" SAE, W/ 18" Blade Guard	62	2900320	2	Capscrew, Hex Hd., M10 x 100mm
		7	With 14" Blade Guard	63	2900321	7	Lock Washer, M10 Split
16	6048036	1	Bellow	64	2900314	2	Capscrew, Hex Hd., M10 x 20mm
17	6048038	1	Bellow Mount Washer	65	2500067	1	Spring, 3/8" Dia. x 4" Long for
18	2500807	1	Flange Block Bearing, 5/8"		2500066	1	Spring, 3/8" Dia. x 3" Long for
19	2900373	2	Carriage Bolt, 1/4"-20 X 1-1/4"	66	6048027	1	Hinge Assembly For 18" Blade Guard
19A	2900010	2	Locknut, 1/4 -20		6048026	1	Hinge Assembly For 14" Blade Guard
20	6047931	1	Spacer Tube				(Includes #14, #15, #67, #68)
21	6040218	1	Handwheel, 8" Dia.	67	2500270	1	Hinge Only
22	2900355	1	Lock Nut, 5/8"-18 Flex	68	2900310	6	Capscrew, Hex Hd., M6x20mm,W/18"GRD
23	6048184	1	Front Axle Assy(Includes #7, #24 - #30, #88)			5	With 14" Blade Guard
24	2501186	4	Retaining Ring, External 3/4"	68A	2900312	1	Capscrew, Hex Hd., M6x35mm,W/14"GRD
25	6040212	1	Front Axle Weldment	69	6048080	1	Pointer Assembly (Includes #7, #70 - #79)
26	2900003	2	Flat Washer, 3/4" SAE	70	2900032	1	Pointer Rod, 3/8"-16
27	2500005	2	Wheel, 5" Diameter	71	2900033	1	Hex Nut, 3/8"-16
28	2500011	2	Flange Block Bearing, 3/4"	72	2900006	1	Lock Washer, 3/8" Split
29	2900324	4	Carriage Screw, M10 x 30mm	73	2500624	1	Wheel, 3" Dia. with Bushing
30	2900326	4	Flat Washer, M14	74	2900018	1	Lock Nut, 3/8"-16 Nylon
31	6040214	1	Blade Shaft Assembly (Includes #32 - #47)	75	6048069	1	Pointer Bar, Straight
32	2900066	1	Flange Nut, 5/8"-11 Left Hand	76	6048070	1	Pointer Bar, Offset
33	6048009	1	Outer Flange, 4-1/2" With Pin	77	2900315	2	Capscrew, Hex Hd., M10 x 35mm
34	2900067	1	Drive Pin, 3/8" Dia. x 1-1/4"	78	6048078	1	Pointer Rope
35	6048008	2	Inner Flange, 4-1/2"	79	3200221	3	Rope Clamp
36	2900076	2	Setscrew, Soc. Hd., 1/4"-20 x 1/2"	80	6048001	1	Belt Guard
37	2500576	2	Flange Block Bearing, 1-1/4"	81	2900319	2	Capscrew, Hex Hd., M10 x 80mm
38	6048037	2	Bearing Spacer	82	6048002	1	Shaft Guard
39	2900322	4	Carriage Screw, M12 x 35mm	83	6040261	1	Belt Adjustment Shaft
40	2900327	4	Lock Nut, M12 Nylon	84	2900325	1	Hex Nut, M10
41	6048018	2	Key, 3/16" Sq. x 3/4"	85	2500256	2	Wrench, 1-1/16"
42	6048134	1	Key, 1/4" Sq. x 2-1/4"	86	2900307	2	Wing Screw, M6 x 16mm
43	6048007	1	Blade Shaft	87	2501439	2	Wheel, 8" Diameter
44	2500025	1	Sheave, 3.65-3 Groove	88	2400615	2	3/4" Set collar
45	2500337	1	Taper Bushing, 1-1/4" with Setscrews	89	2400138	1	Index Plunger, 1/2-13
46	2900065	1	Flange Nut, 5/8"-11 Right Hand	90	2501565	1	Throttle Control
47			Blank	91	2800001	1	Push Button Stop Switch
				92	1800001	2	Warning Label
				93	1800352	1	Saw Label
				94	1800672	1	Operation Label



CC1309XL-PARTS LIST

DRAWING II

Diagram Number	Part No.	Qty. Req.	Description	Diagram Number	Part No.	Qty. Req.	Description
1	2600160	1	Engine, 9HP Honda	22	2900425	1	7/8" Flat Washer
2	2900473	2	Flat Washer, 3/8" SAE, hardened	23	3200022	1	Fitting, 1/2" Female Pipe To 3/4" Female Garden Hose
3	2900317	4	Capscrew, Hex Hd., M10 x 45mm				
4	2900014	8	Flat Washer, 3/8" SAE	24	3200025	1	Filter Hose Washer
5	2900304	6	Lock Nut, M10 Nylon	25	2700554	1	Muffler Exhaust Deflector
6	6048134	1	Key, 1/4" Sq. x 2-1/4"	26	2900206	3	8-32 Self Tapping Screws
7	2500022	1	Sheave, 2.65-3 Groove	27	6048186	1	Adaption Plate
8	2500026	1	Taper Bushing, 1" with Setscrews	28	2900333	2	Capscrew, Hex Hd., M10 x 25mm
9	2500034	3	V-Belt, 3VX315	29	6048213	1	Water Tank Kit for CC1300-XL (Includes #4, #5, #30 - #42)
10	6048029	1	Oil Drain Hose Assembly For Honda Engines (Includes #11 THRU #16)	30	2900005	4	Capscrew, Hex Hd., 3/8-16x1"
11	3200497	1	M12 x 1.5 Male To 9/16-18 M ADAPTER	31	2900018	4	Lock Nut, 3/8-16x1" Nylon BLANK
12	6090273	1	Oil Drain Hose, 1/4" I.D.				
13	3200040	1	Fitting, 1/4" Male JIC to 1/4" Push Lock	33	2900314	4	Capscrew, Hex Hd., M10 x 20mm
14	3200006	1	Cap, 1/4"JIC	34	6048220	1	Water Tank Bracket for CC1300-XL
15	3200091	1	1/4"F JIC TO 1/4" PUSHLOCK	35	6048017	2	Water Tank Brace
16	3200498	1	9/16-18 TO 1/4 JIC MALE	36	2501260	1	Water Tank
17	6011055	1	Hose Assembly	37	2500586	1	Tiedown, Elastic 24"
18	3200155	1	Fitting, 1/2" Male Pipe to 3/4" Male Garden Hose	38	3200016	1	Hose Clamp #8
19	3200027	1	Water Valve	39	6048197	1	Hose, 1/2" Clear
20	3200008	2	Close Nipple, 1/2" NPT	40	3200021	1	Fitting, 3/4" Female Garden to 1/2" Hose Barb
21	3200209	1	1/2" F Pipe Elbow, 90 Degree	41	3200238	1	Ferrule, brass, to 1/2" hose
				42	2501261	1	Petcock



EQUIPMENT AND PARTS WARRANTY

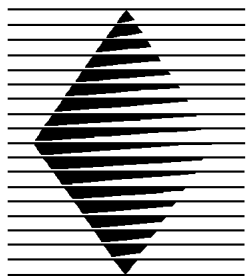
Diamond Products warrants all equipment manufactured by it against defects in workmanship or materials for a period of one (1) year from the date of shipment to Customer.

The responsibility of Diamond Products under this Warranty is limited to replacement or repair of defective parts at Diamond Products' Elyria, Ohio factory, or at a point designated by it, of such parts as shall appear to us upon inspection at such parts, to have been defective in material or workmanship, with expense for transportation and labor borne by Customer.

In no event shall Diamond Products be liable for consequential or incidental damages arising out of the failure of any Product to operate properly.

Integral units such as engines, electric motors, batteries, transmissions, etc., are excluded from this Warranty and are subject to the prime manufacturer's warranty.

THIS WARRANTY IS IN LIEU OF ALL OTHER WARRANTIES, EXPRESSED OR IMPLIED, AND ALL SUCH OTHER WARRANTIES ARE HEREBY DISCLAIMED.



DIAMOND PRODUCTS

333 Prospect Street, Elyria, Ohio 44035
(440) 323-4616 • (800) 321-5336 • Fax (440) 323-8689
www.diamondproducts.com