

**DIAMOND**  
PRODUCTS

CONCRETE SAW  
PARTS LIST

**MODEL CC1700**  
**CRACK CHASING SAWS**

January 2011

Part Number: 1801722

Proposition 65  
State of California

Warning !

Engine exhaust and some its constituents are known to the State of California to cause cancer, birth defects, and/or other reproductive harm.

Notification of Spark Arrester Requirement for  
State of California

It is a violation of Section 4442 or 4443 to use or operate the engine on any forest-covered, brush-covered, or grass-covered land unless the engine is equipped with a spark arrester, as defined in Section 4442, maintained in effective working order or the engine is constructed, equipped, and maintained for the prevention of fire pursuant to Section 4443.

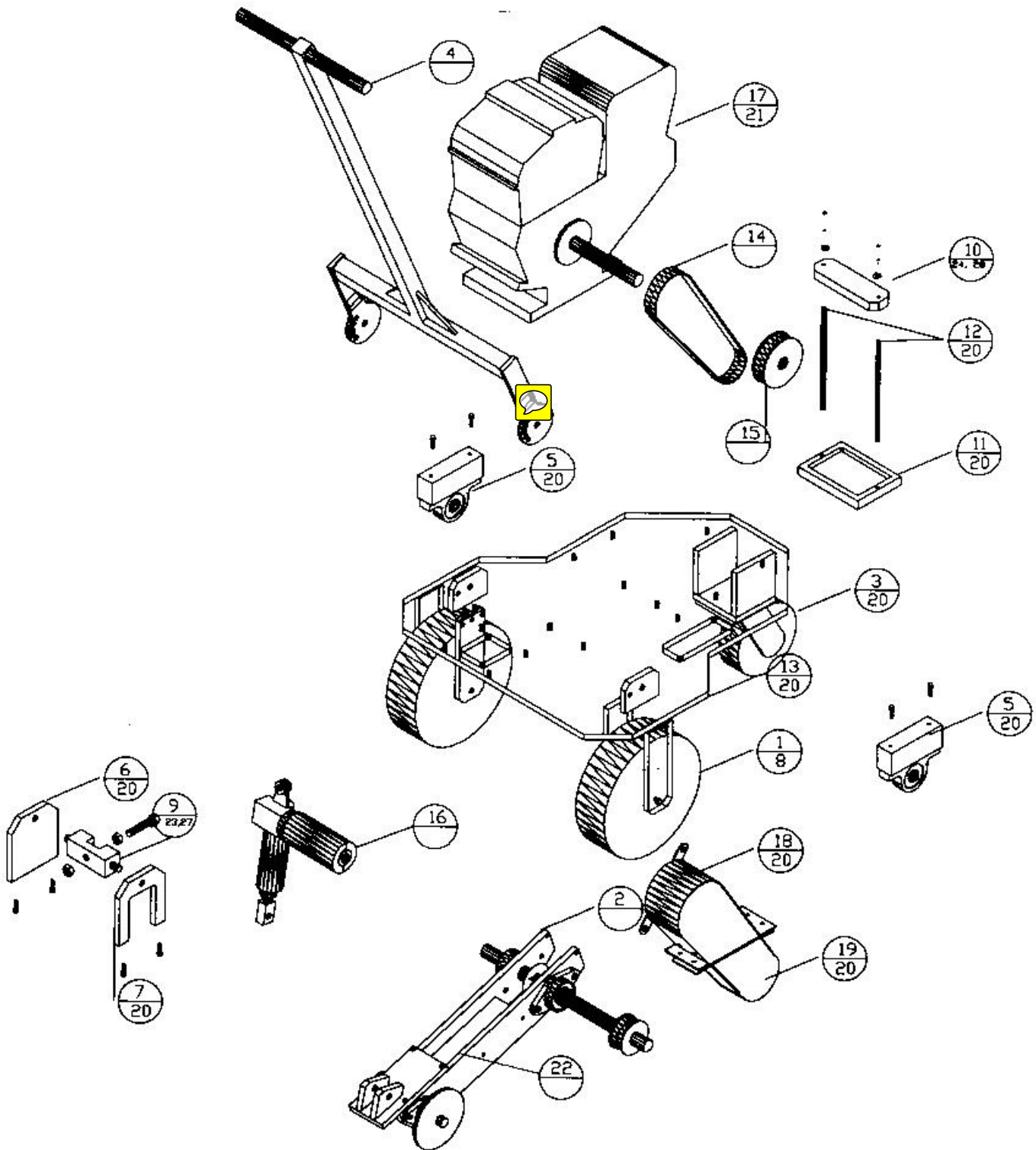
## Table of Contents

<u>Description</u>	<u>Page No.</u>
Service Parts.....	3
CC1712R Parts List.....	4 - 5
CC1722R Parts List.....	6 - 7
Notes.....	8 - 11
Warranty.....	Rear Cover

### Quick Reference Service Filters/ Belts

<u>DP Part No.</u>	<u>Description</u>	<u>Manufacturer's Part No.</u>
2706504	Air Filter for 13.5-HP Robin	Robin 267-32603-07
270XXXx	Pre Cleaner for 22.0-HP Robin	Wix 46458
2501212	Safety Filter for 22.0-HP Robin	Wix 42985
2706506	Oil Filter for 22.0-HP Robin	Robin 248-65801-00
2706507	Spark Plug for 13.5-HP Robin	NGK BPR4EY
2706508	Spark Plug for 22.0-HP Robin	NGK BPR6ES
2500034	Engine Belt for 13.5-HP Robin	Gates 3VX315
2501098	Engine Belt for 22.0-HP Robin	Gates BX28

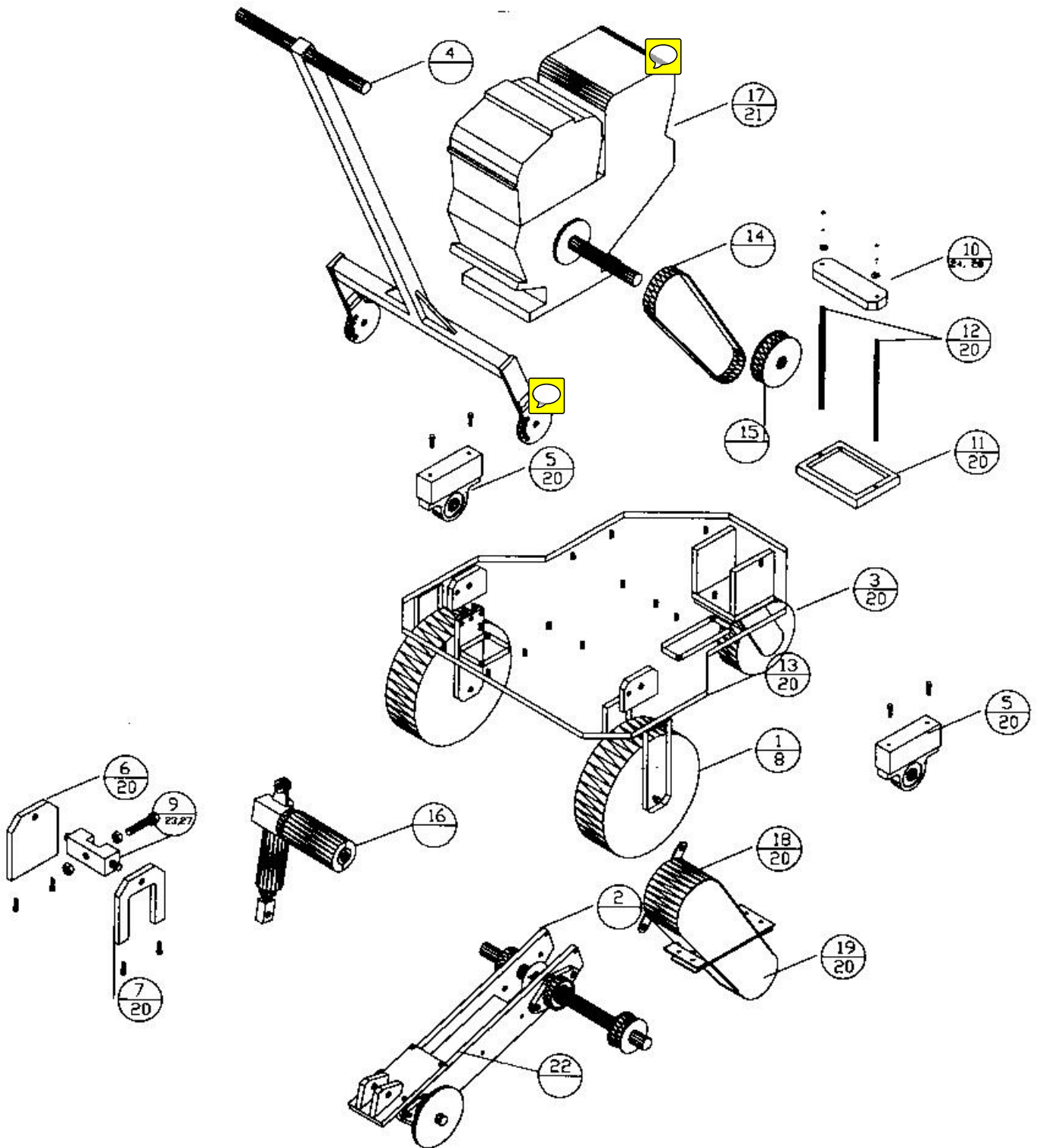
# 5802266 – CC1714R Crack Chasing Saw



**5802266**  
**CC1714R Parts List**

<u>Diagram Number</u>	<u>Part Number</u>	<u>Quantity Required</u>	<u>Description</u>
1	6043616	2	Front Wheel Assembly
2	6043617	2	Carraige Assembly
3	6043618	1	Rear Wheel Assembly
4	6043619	1	Handle Assembly
5	6043620	1	Carraige Pivot Assembly
6	6043621	1	Outboard Lifting Bracket
7	6043622	1	Inboard Lifting Bracket
8	6043623	2	Front Wheel Axle
9	6043624	1	Lifting Motor Swivel Bracket
10	6043625	1	Battery Tray, Lower
11	6043626	1	Battery Tray, Upper
12	6043627	2	Battery Hold Down
13	6043628	1	Base Plate Assembly
14	6043629	3	Belt, Engine
15	6043630	1	Engine Pulley and Bushing
16	6043631	1	Actuator
17	2600671	1	Engine: Robin 12HP
18	6043632	1	Belt Guard, Upper
19	6043633	1	Belt Guard, Lower
20	2902978	xx	1/4-20 x 3/4 UNC SHCS
21	2900233	4	5/16-10 x 1-1/2 SHCS
21	6043634	1	Blade Guard
22	6043635	1	Belt, Blade Shaft
23	2900810	1	1/2-13 x 2-1/2 Hex Head Cap Screw
24	2900026	2	1/2-13 Nut
25	2900010	2	1/4-20 Nut
27	2900127	1	1/2" Flat Washer
28	2900126	2	1/4" Flat Washer

# 5802267 – CC1722R Crack Chasing Saw



**5802267**  
**CC1722R Parts List**

<u>Diagram Number</u>	<u>Part Number</u>	<u>Quantity Required</u>	<u>Description</u>
1	6043616	2	Front Wheel Assembly
2	6043637	2	Carriage Assembly
3	6043618	1	Rear Wheel Assembly
4	6043638	1	Handle Assembly
5	6043620	1	Carriage Pivot Assembly
6	6043621	1	Outboard Lifting Bracket
7	6043622	1	Inboard Lifting Bracket
8	6043623	2	Front Wheel Axle
9	6043624	1	Lifting Motor Swivel Bracket
10	6043625	1	Battery Tray, Lower
11	6043626	1	Battery Tray, Upper
12	6043627	2	Battery Hold Down
13	6043628	1	Base Plate Assembly
14	6043639	3	Belt, Engine
15	6043640	1	Engine Pulley and Bushing
16	6043631	1	Actuator
17	2600672	1	Engine: 22HP Robin
18	6043641	1	Belt Guard, Upper
19	6043642	1	Belt Guard, Lower
20	2902978	xx	1/4-20 x 3/4 UNC SHCS
21	2900233	4	5/16-18 x 1-1/2 SHCS
21	6043643	1	Blade Guard
22	6043644	1	Belt, Blade Shaft
23	2900810	1	1/2-13 x 2-1/2 Hex Head Cap Screw
24	2900026	2	1/2-13 Nut
25	2900010	2	1/4-20 Nut
27	2900127	1	1/2" Flat Washer
28	2900126	2	1/4" Flat Washer











## EQUIPMENT AND PARTS WARRANTY

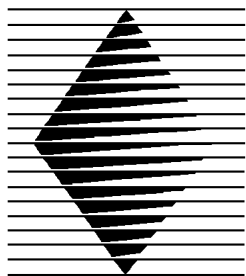
Diamond Products warrants all equipment manufactured by it against defects in workmanship or materials for a period of one (1) year from the date of shipment to Customer.

The responsibility of Diamond Products under this Warranty is limited to replacement or repair of defective parts at Diamond Products' Elyria, Ohio factory, or at a point designated by it, of such parts as shall appear to us upon inspection at such parts, to have been defective in material or workmanship, with expense for transportation and labor borne by Customer.

In no event shall Diamond Products be liable for consequential or incidental damages arising out of the failure of any Product to operate properly.

Integral units such as engines, electric motors, batteries, transmissions, etc., are excluded from this Warranty and are subject to the prime manufacturer's warranty.

**THIS WARRANTY IS IN LIEU OF ALL OTHER WARRANTIES, EXPRESSED OR IMPLIED, AND ALL SUCH OTHER WARRANTIES ARE HEREBY DISCLAIMED.**



# DIAMOND PRODUCTS

333 Prospect Street, Elyria, Ohio 44035  
(440) 323-4616 • (800) 321-5336 • Fax (440) 323-8689  
[www.diamondproducts.com](http://www.diamondproducts.com)