

DIAMOND
PRODUCTS

CONCRETE SAW
PARTS LIST

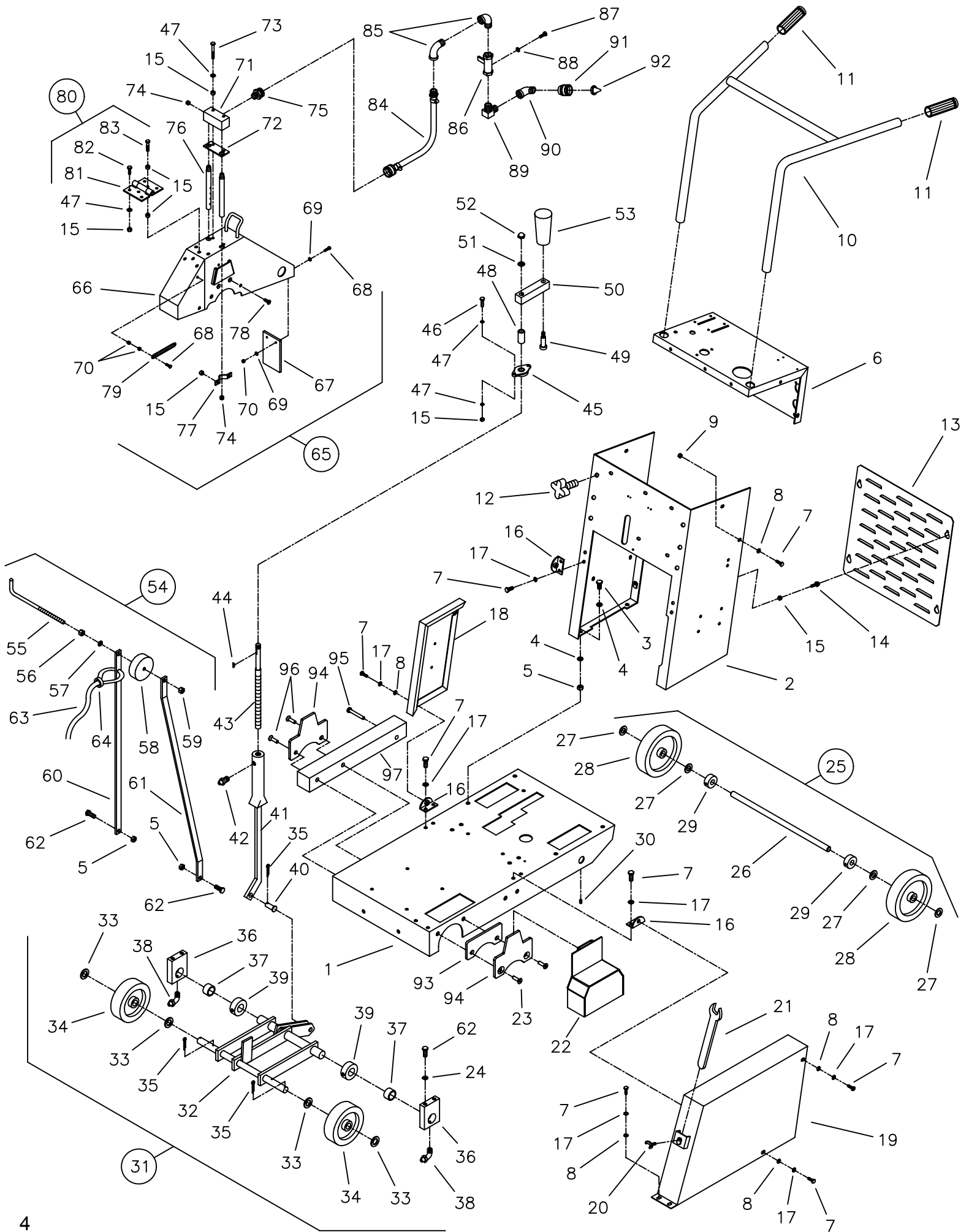
MODEL
CC1800

April 2005

Intentionally Blank

Table of Contents

<u>Description</u>	<u>Page No.</u>
Frame Group.....	4 - 5
Engine Bladeshaft Group	6 - 7
Transmission Group.....	8 - 9
Options Group.....	10 - 11
Hydraulic Group.....	12 - 13
Water Pump Wiring Diagram.....	14
Notes.....	15
Warranty.....	16

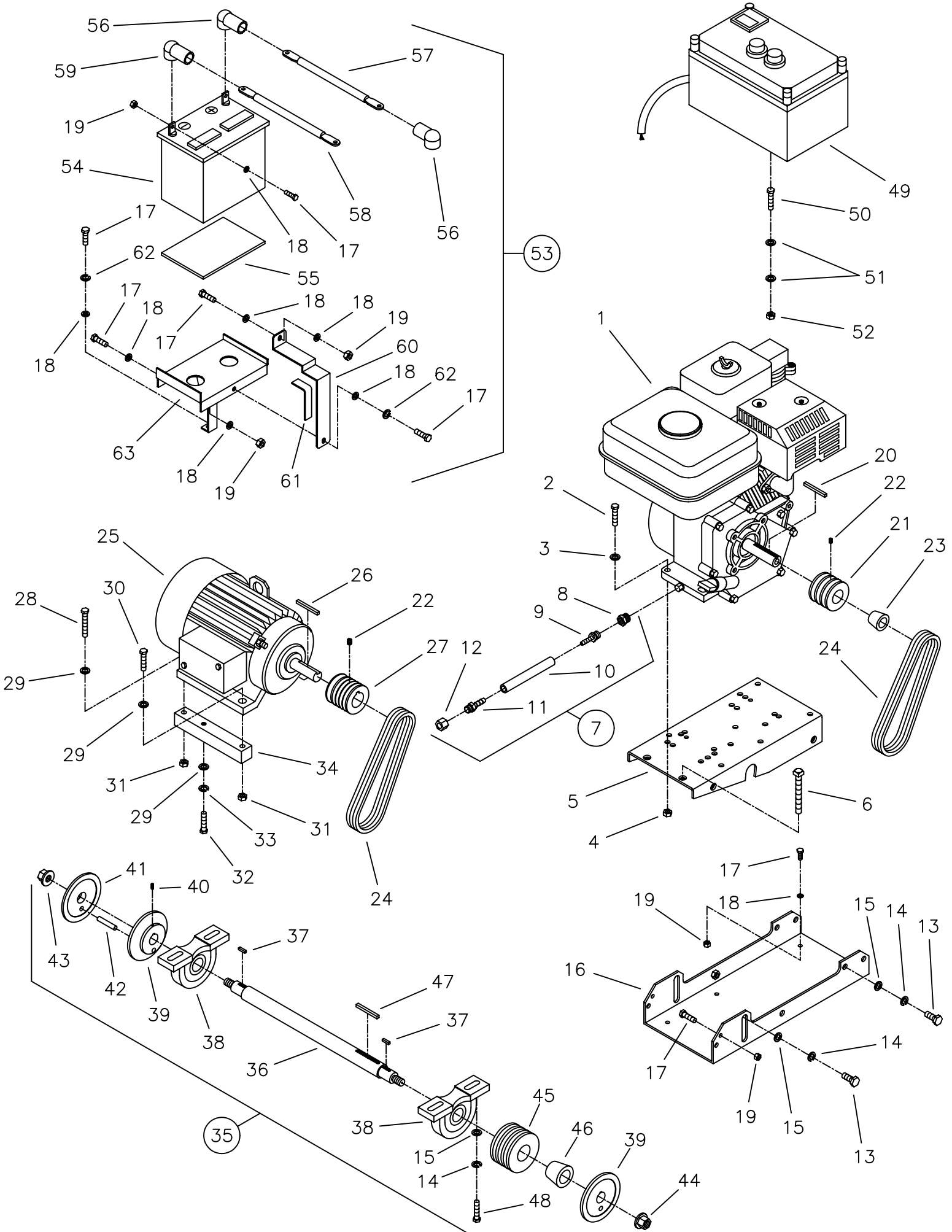


CC1800 PARTS LIST

Drawing I Frame Group

Diagram Number	Part No.	Qty. Req.	Description	Diagram Number	Part No.	Qty. Req.	Description
1	6048050	1	Frame Base	55	2900032	1	Pointer Rod, 3/8"-16
2	6048051	1	Frame Upright	56	2900033	1	Hex Nut, 3/8"-16
3	2900314	4	Capscrew, Hex Hd., M10 x 20mm	57	2900006	1	Lock Washer, 3/8" Split
4	2900014	8	Flat Washer, 3/8" SAE	58	2500624	1	Wheel, 3" Dia. with Bushing
5	2900304	6	Lock Nut, M10 Nylon	59	2900018	1	Lock Nut, 3/8"-16 Nylon
6	6048052	1	Control Panel	60	6048069	1	Pointer Bar, Straight
7	2900329	20	Capscrew, Hex Hd., M8 x 20mm	61	6048070	1	Pointer Bar, Offset
8	2900022	12	Flat Washer, 5/16" SAE	62	2900333	6	Capscrew, Hex Hd., M10 x 25mm
9	2900303	7	Lock Nut, M8 Nylon	63	6048078	1	Pointer Rope
10	6048058	1	Handle Bar	64	3200221	3	Rope Clamp
11	2500636	2	Handle Grip	65	6048912	1	14" Blade Guard Assembly
12	2900234	2	Handle Lock Knob, 3/8"-16				(Includes #15, #47, #66 - #83)
13	6048063	1	Rear Cover Screen		6048904	1	20" Blade Guard Assembly
14	2900328	4	Capscrew, Hex Flange Hd., M6 x 20mm				(Includes #15, #47, #66 - #83)
15	2900302	19	Lock Nut, M6 Nylon	66	6048911	1	14" Blade Guard Only
16	6048064	4	Guard Mounting Tab		6048905	1	20" Blade Guard Only
17	2900031	13	Lock Washer, 5/16" Split	67	6048039	1	Splash Flap
18	6048062	1	Slurry Shield	68	2900309	4	Capscrew, Hex Hd., M5 x 20mm
19	6048061	1	Belt Guard	69	2900016	4	Flat Washer, #10 USS
20	2900307	1	Wing Screw, M6 x 16mm	70	2900301	6	Lock Nut, M5 Nylon
21	2500256	1	Wrench, 1-1/16"	71	6048123	1	Manifold
22	6048906	1	Shaft Guard	72	2500829	1	Manifold Gasket
23	2900744	2	Capscrew, Flat Hd., M10 x 25mm	73	2900244	2	Capscrew, Hex Hd., M6 x 45mm
24	2900321	4	Lock Washer, M10 Split	74	3200001	3	Pipe Plug, 1/8" NPT
25	6048104	1	Rear Axle Assembly (Includes #26 - #30)	75	3200002	1	Fitting, 3/4" Male Garden Hose to 3/8" Male Pipe
26	6048105	1	Rear Axle Only	76	6048283	2	Water Tube for 14" Blade Guard
27	2900002	4	Flat Washer, 5/8" SAE		6010085	2	Water Tube for 20" Blade Guard
28	2500003	2	Wheel, 6" Dia.	77	6048155	2	Water Tube Clamp
29	2500008	2	Set Collar, 5/8" with Setscrew	78	2900308	4	Capscrew, Flat Hd., M6 x 16mm
30	2900056	2	Setscrew, Soc. Hd., 1/4"-20 x 1/4"	79	2500066	1	Spring, 3/8" Dia. x 3" for 14" Blade Guard
31	6048079	1	Front Axle Assembly (Includes #24, #32 - #39, #62)		2500067	1	Spring, 3/8" Dia. x 4" for 20" Blade Guard
32	6048056	1	Front Axle Weldment	80	6048026	1	Hinge Assembly for 14" Blade Guard (Includes #15, #47, #81 - #83)
33	2900003	4	Flat Washer, 3/4" SAE		6048027	1	Hinge Assembly for 20" Blade Guard (Includes #15, #47, #81, #82)
34	2500004	2	Wheel, 5" Dia.				
35	2900004	5	Cotter Pin, 1/8" x 1"	81	2500270	1	Hinge Only
36	6048073	2	Pivot Block with Bushing (Includes #37)	82	2900310	5	Capscrew, Hex Hd., M6 x 20mm (6 Req'd for 20" Blade Guard)
37	2500071	2	Brass Bushing Only				
38	2900061	2	Grease Fitting, 1/4"-28 x 90°	83	2900312	1	Capscrew, Hex Hd., M6 x 35mm
39	2500009	2	Set Collar, 1" with Setscrew	84	6048098	1	Hose Assembly
40	2900266	1	Clevis Pin, 1/2" Dia. x 1-1/4"	85	3200013	2	Street Elbow, 1/2" NPT 90°
41	6048119	1	Adjustment Shaft with Grease Fitting (Includes #42)	86	3200026	1	Water Valve
42	2900062	1	Grease Fitting, 1/8" NPT	87	2900021	2	Machine Screw, Round Hd., #10-24 x 3/8"
43	6048071	1	Adjustment Screw	88	2900038	2	Lock Washer, #10 Split
44	2900063	1	Woodruff Key #405, 1/8" Wide x 5/8" Dia.	89	3200166	1	Elbow, Male 1/2" NPT 90°
45	2500010	1	Flange Block Bearing, 1/2"	90	3200207	1	Street Elbow, 1/2" NPT 45°
46	2900311	2	Capscrew, Hex Hd., M6 x 25mm	91	3200022	1	Fitting, 1/2" Female Pipe to 3/4" Female Garden Hose
47	2900009	12	Flat Washer, 1/4" SAE	92	3200025	1	Filter Hose Washer
48	6048127	1	Spacer Tube	93	6048915	1	Tapered Guard Mount Spacer
49	2900012	1	Shoulder Screw, 1/2" Dia. x 1-1/4"	94	6048908	2	Tapered Guard Mount Spacer
50	6048128	1	Handle Base	95	2900908	1	Cap Screw, Flat Hd., M10 x 80mm
51	2900084	1	Lock Washer, 1/2" Split	96	2900908	2	Cap Screw, Flat Hd., M10 x 80mm (Electric Saws Only)
52	2900011	1	Acorn Nut, 1/2"-13		2901010	2	Cap Screw, Flat Hd, M10 x 35mm
53	2500072	1	Screw Feed Handle	97	6048319	1	Blade Guard Spacer
54	6048080	1	Pointer Assembly (Includes #5, #55 - #64)				

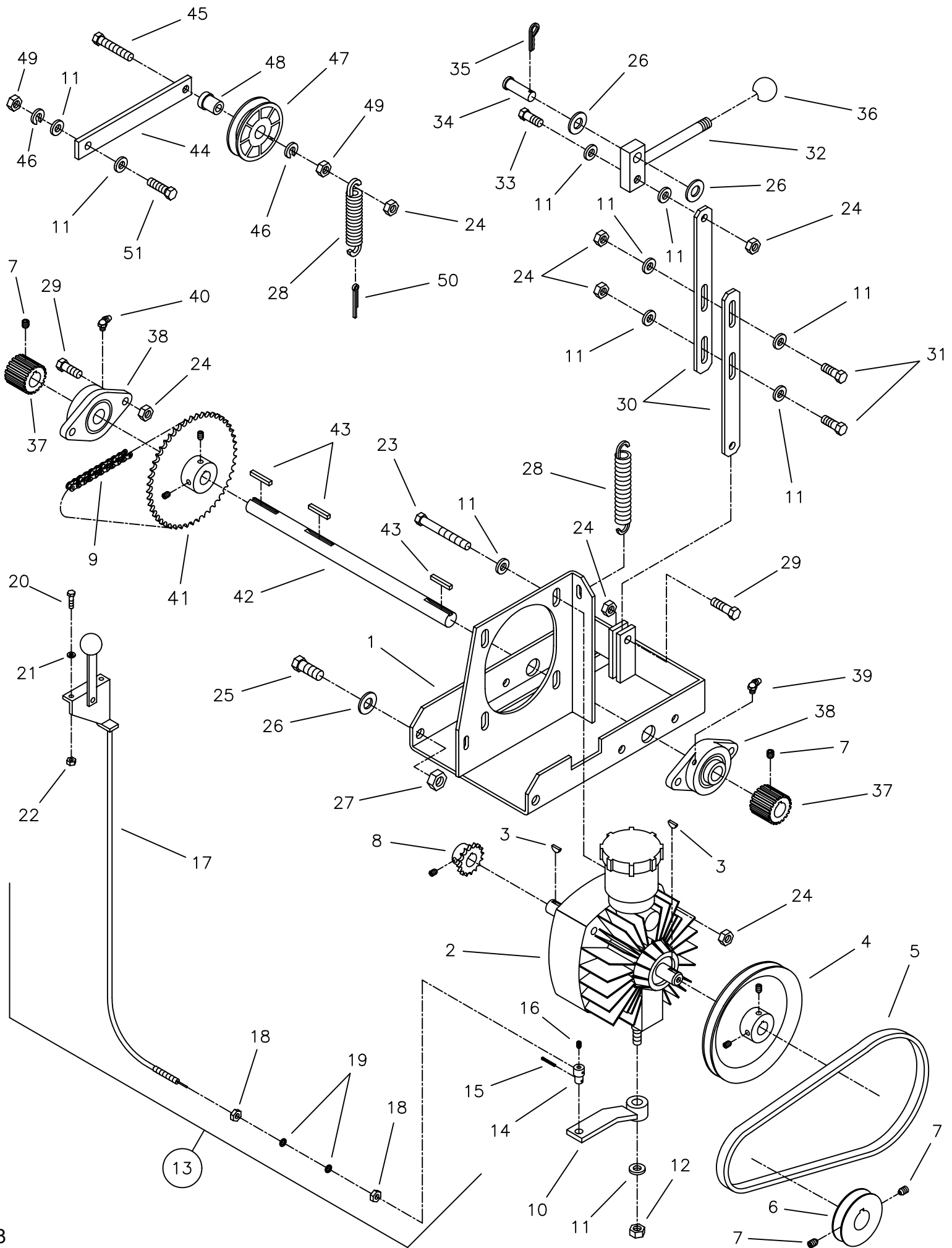




CC1800 PARTS LIST
Drawing II
Engine Bladeshaft Group

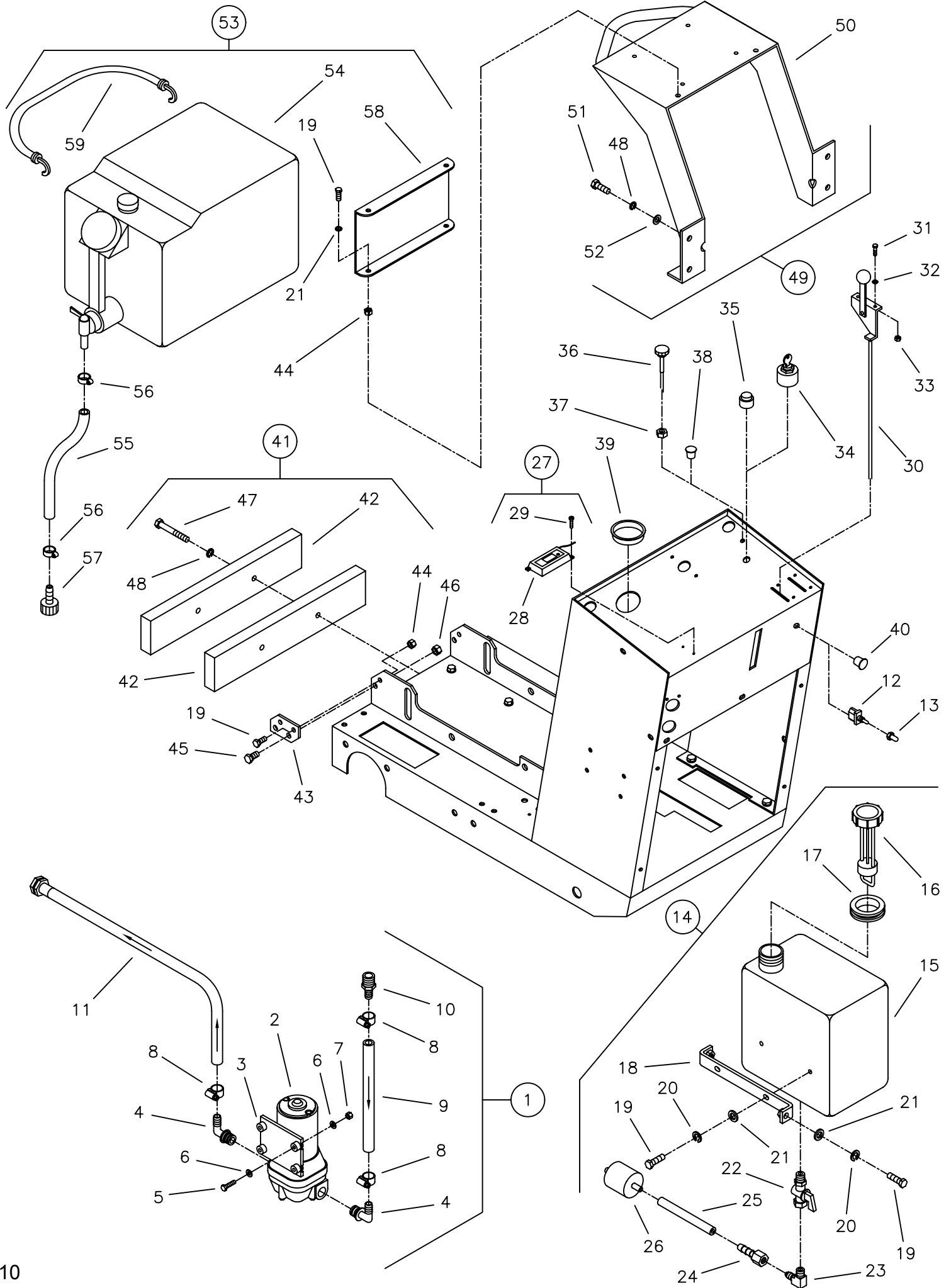
Diagram Number	Part No.	Qty. Req.	Description	Diagram Number	Part No.	Qty. Req.	Description
1	2600173	1	Engine, 13HP Briggs Vanguard (13BV)	24	2500035	3	V-Belt, 3VX335 (For 13BV, 13H)
	2600116	1	Engine, 13HP Honda (13H)		2500036	3	V-Belt, 3VX355 (For 14KC)
	2600013	1	Engine, 16HP Briggs Vanguard (16BV)		2500036	4	V-Belt, 3VX355 (For 16BV, 18BV, 20BV, 20H)
	2600181	1	Engine, 20HP Briggs Vanguard (20BV)		2500037	4	V-Belt, 3VX375 (For 7.5E, 10E, 16KM, 20KC)
	2600161	1	Engine, 20HP Honda (20H)	25	2600186	1	Electric Motor, 7.5HP - 1 Phase 230 Volt, Baldor (7.5E)
2	2900005	4	Capscrew Hex Hd., 3/8"-16 x 1" (For 14KC)		2600187	1	Electric Motor, 10HP - 3 Phase 230/460 Volt, Baldor (10E)
	2900336	4	Capscrew, Hex Hd., M8 x 45mm (For 16BV, 18BV, 20BV)	26	6048046	1	Key, 5/16" Sq. x 1-1/2"
	2900315	4	Capscrew, Hex Hd., M10 x 35mm (For 16KM)	27	6048049	1	Sheave, 2.65-3V-4 Groove/4L-1 Groove x 1-3/8"
	2900317	4	Capscrew, Hex Hd., M10 x 45mm (For 13BV, 13H, 20KC, 20H)	28	2900318	2	Capscrew, Hex Hd., M10 x 50mm
3	2900022	4	Flat Washer, 5/16" SAE (For 16BV, 18BV, 20BV)	29	2900014	6	Flat Washer, 3/8" SAE
	2900014	4	Flat Washer, 3/8" SAE (For 13BV, 13H, 14KC, 16KM, 20KC, 20H)	30	2900338	2	Capscrew, Hex Hd., M10 x 60mm
4	2900303	4	Lock Nut, M8 Nylon (For 16BV, 18BV, 20BV)	31	2900304	4	Lock Nut, M10 Nylon
	2900304	4	Lock Nut, M10 Nylon (For 13BV, 13H, 16KM, 20KC, 20H)	32	2900333	2	Capscrew, Hex Hd., M10 x 25mm
	2900006	4	Lock Washer, 3/8" Split (For 14KC)	33	2900321	2	Lock Washer, M10 Split
5	6048059	1	Engine Base	34	6048100	2	Motor Spacer
6	2900332	1	Setscrew, Sq. Hd., M12 x 100mm	35	6040501	1	Blade Shaft Ass'y For 13BV, 13H (Includes #14, #15, #36 - #48)
7	6048040	1	Oil Drain Hose Assembly for 14KC, 16BV, 18BV, 20BV, 20KC (Includes #9 - #12)		6040502	1	Blade Shaft Ass'y For 16BV, 18HY, 20BV, 20H (Includes #14, #15, #36 - #48)
	6048041	1	Oil Drain Hose Assembly for 16KM (Includes #8 - #12)		6040503	1	Blade Shaft Ass'y For 7.5E, 10E (Includes #14, #15, #36 - #48)
	6048042	1	Oil Drain Hose Assembly for (Includes #9 - #12)	36	6048865	1	Blade Shaft For 7.5E, 10E
	6048043	1	Oil Drain Hose Assembly for 13BV, 20H (Includes #9 - #12)		6048866	1	Blade Shaft
8	3200071	1	Reducer, 3/4" Male Pipe to 3/8" Female Pipe (For 16KM Only)	37	6048018	2	Key, 3/16" Sq. x 3/4"
9	3200070	1	Fitting, 3/8" Male Pipe to 1/4" Push Lock (For 14KC, 16KM, 16BV, 18BV, 20BV, 20KC)	38	2500365	2	Pillow Block Bearing, 1-1/4"
	3200092	1	Fitting, M12 x 1.5mm Male to 1/4" Push Lock (For 13H)	39	6048008	2	Inner Flange, 4-1/2"
	3200093	1	Fitting, M14 x 1.5mm Male to 1/4" Push Lock (For 13BV, 20H)	40	2900076	2	Setscrew, Soc. Hd., 1/4"-20 x 1/2"
10	6048044	1	Oil Drain Hose, 1/4" I.D.	41	6048009	1	Outer Flange, 4-1/2" with Pin (Includes #42)
11	3200040	1	Fitting, 1/4" Male JIC to 1/4" Push Lock	42	2900067	1	Drive Pin, 3/8" Dia. x 1-1/4"
12	3200006	1	Cap, 1/4" JIC	43	2900066	1	Flange Nut, 5/8"-11 Left Hand
13	2900330	4	Capscrew, Hex Hd., M12 x 30mm	44	2900065	1	Flange Nut, 5/8"-11 Right Hand
14	2900084	8	Lock Washer, 1/2" Split	45	2500025	1	Sheave, 3.65-3 Groove (For 13BV, 13H, 14KC)
15	2900058	8	Flat Washer, 1/2" SAE		2500621	1	Sheave, 3.65-4 Groove (For 7.5E, 10E, 16KM, 16BV, 18BV, 20BV, 20KC, 20H)
16	6048060	1	Engine Base Mount	46	2500337	1	Taper Bushing, 1-1/4" with Setscrews
17	2900329	15	Capscrew, Hex Hd., M8 x 20mm	47	6010169	1	Key, 1/4" Sq. x 1-1/4"
18	2900022	16	Flat Washer, 5/16" SAE	48	2900331	4	Capscrew, Hex Hd., M12 x 40mm
19	2900303	13	Lock Nut, M8 Nylon	49	6048355	1	Starter Box Assembly For 1 Phase Motor
20	6048134	1	Key, 1/4" Sq. x 2-1/4"		6048300	1	Starter Box Assembly For 3 Phase Motor
	6011089	1	Key, 1/4" Sq. x 1" (For 16KM, 20H Only)	50	2900311	4	Capscrew, Hex Hd., M6 x 25mm
	6048097	1	Key, 3/8" Sq. x 1-3/4" (For 20KC Only)	51	2900009	8	Flat Washer, 1/4" SAE
21	2500022	1	Sheave, 2.65-3 Groove (For 13BV, 13H, 14KC)	52	2900302	4	Lock Nut, M6 Nylon
	2500620	1	Sheave, 2.65-4 Groove (For 16KM, 16BV, 18BV, 20BV, 20H)	53	6048099	1	Battery Assembly (Includes #17 - #19, #54 - #63)
	6048090	1	Sheave, 2.65-3V-4 Groove/4L-1 Groove x 1-7/16" (For 20KC)	54	2500584	1	Battery, 12 Volt, 250 CCA, Wet Cell
22	2900036	3	Setscrew, Soc. Hd., 5/16"-18 x 1/4" (For 7.5E, 10E, 20KC)	55	6048093	1	Battery Pad
23	2500026	1	Taper Bushing, 1" with Setscrews	56	2800197	2	Battery Boot (Red)
	2500027	1	Taper Bushing, 1-1/8" with Setscrews and Rectangular Key (For 16KM, 20H Only)	57	6048091	1	Battery Cable, Positive (Red)
				58	6048103	1	Battery Cable, Positive (Red) For 20KC Only
				59	6048092	1	Battery Cable, Negative (Black)
				60	2800198	1	Battery Boot (Black)
				61	6048055	1	Battery Strap (Includes #61)
				62	6048077	1	Rubber Strip
				63	2900031	2	Lock Washer, 5/16" Split
					6048054	1	Battery Holder Weldment





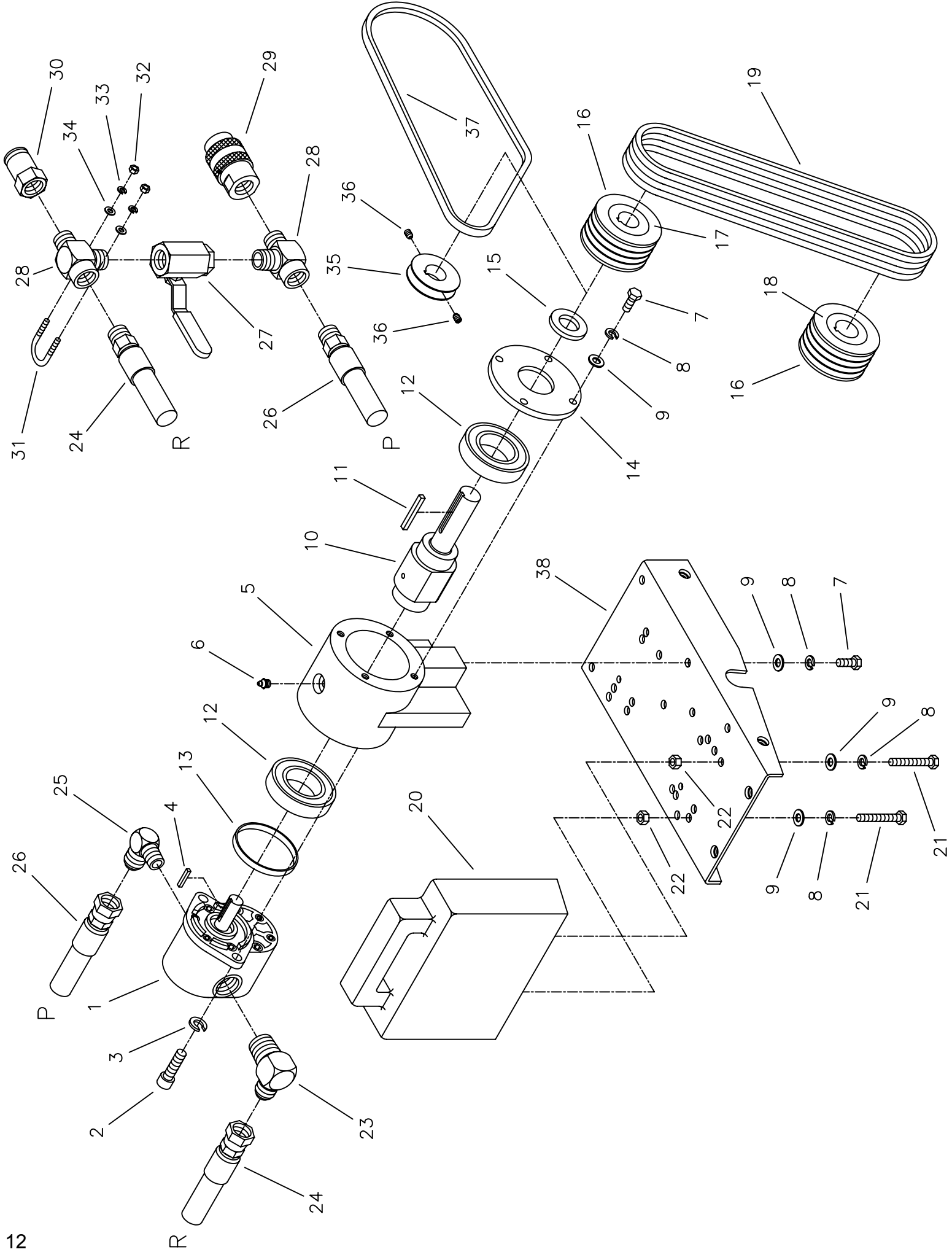
CC1800 PARTS LIST
Drawing III
Transmission Group

Diagram Number	Part No.	Qty. Rea.	Description	Diagram Number	Part No.	Qty. Rea.	Description
1	6048066	1	Transmission Platform Weldment	24	2900304	13	Lock Nut, M10 Nylon
2	2600015	1	Transmission	25	2900330	2	Capscrew, Hex Hd., M12 x 30mm
	2700523	1	(Oil Reservoir Only)	26	2900058	4	Flat Washer, 1/2" SAE
3	2900068	2	Woodruff Key #404, 1/8" Wide x 1/2" Dia.	27	2900327	2	Lock Nut, M12 Nylon
4	2500016	1	Pulley, 6" Dia. with Setscrews	28	2500070	2	Spring, 3/4" Dia. x 4"
5	2500632	1	V-Belt, 4L-410 (14KC, 16KM, 16BV, 18BV, 20BV, 20KC, 20H)	29	2900223	5	Capscrew, Hex Hd., M10 x 30mm
	2500635	1	V-Belt, 4L-420 (7.5E, 10E)	30	6048065	2	Linkage
	2500033	1	V-Belt, 4L-430 (13BV, 13H)	31	2900333	2	Capscrew, Hex Hd., M10 x 25mm
6	6048196	1	Accessory Drive Pulley, 1" Bore (13BV, 13H, 14KC, 16BV, 18BV, 20BV)	32	6048057	1	Engagement Lever
	6048195	1	Accessory Drive Pulley, 1-1/8" Bore (For 16KM, 20H Only)	33	2900315	1	Capscrew, Hex Hd., M10 x 35mm
				34	2900277	1	Clevis Pin, 1/2" Dia. x 1-1/2"
				35	2900276	1	Hair Pin Cotter, 1/2"
				36	2400007	1	Knob, 1/2"-20
7	2900036	4	Setscrew, Soc. Hd., 5/16"-18 x 1/4"	37	6048235	2	Wheel Drive
8	2500017	1	Sprocket, 12 Teeth with Setscrew	38	2500011	2	Flange Block Bearing, 3/4"
9	6048232	1	#35 Chain, 63 Pitch	39	2900061	1	Grease Fitting, 1/4"-28 x 90°
10	6048211	1	Shift Lever	40	2900184	1	Grease Fitting, 1/4"-28 x 45°
11	2900014	13	Flat Washer, 3/8" SAE	41	2500018	1	Sprocket, 48 Teeth with Setscrews
12	2900018	1	Lock Nut, 3/8"-16 Nylon	42	6048228	1	Drive Shaft
13	6048106	1	Transmission Speed Control Assembly (Includes #14 - #22)	43	6048229	3	Key, 3/16" Sq. x 1-1/4"
				44	6048085	1	Idler Arm
14	6048212	1	Pivot Pin	45	2900337	1	Capscrew, Hex Hd., M10 x 50mm (Full Thread)
15	2900034	1	Cotter Pin, 3/32" x 3/4"				
16	2900059	1	Setscrew, Soc. Hd., #10-32 x 1/4"	46	2900321	2	Lock Washer, M10 Split
17	2500076	1	Transmission Speed Control	47	2500074	1	Idler Pulley With Bushing (Includes #48)
18	2900186	2	Hex Nut, 1/4"-28				
19	2900009	2	Flat Washer, 1/4" SAE	48	2500246	1	Bushing Only
20	2900309	2	Capscrew, Hex Hd., M5 x 20mm	49	2900325	2	Hex Nut, M10
21	2900016	2	Flat Washer, #10 USS	50	2900055	1	Cotter Pin, 3/16" x 1"
22	2900301	2	Lock Nut, M5 Nylon	51	2900317	1	Capscrew, Hex Hd., M10 x 45mm
23	2900319	4	Capscrew, Hex Hd., M10 x 80mm				



CC1800 PARTS LIST
Drawing IV
Options Group

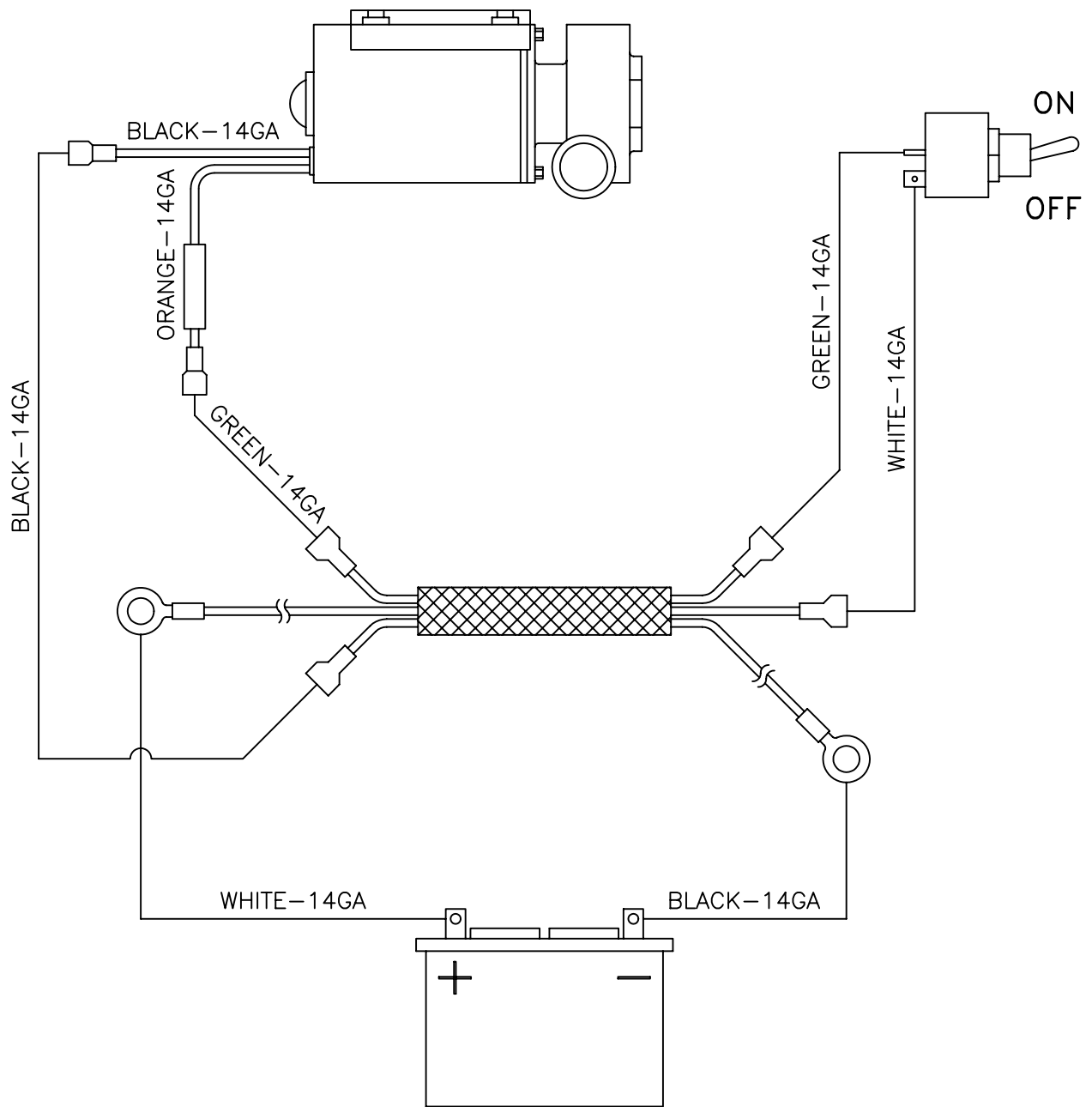
Diagram Number	Part No.	Qty. Req.	Description	Diagram Number	Part No.	Qty. Req.	Description
1	6048076	1	Water Pump Kit (Includes #2 - #13)	33	2900301	2	Lock Nut, M5 Nylon
2	2600200	1	Water Pump, 12 Volt Diaphragm (Includes #3, #4)	34	2700185	1	Ignition Switch With Key For 20BV
3	2701784	4	Rubber Spacer		2700892	1	Ignition Switch With Key For 20KC
4	2701694	2	Port Fitting 90° With O-Ring		2700430	1	Ignition Switch With Key For 20H
5	2900311	4	Capscrew, Hex Hd., M6 x 25mm	35	2800001	1	Push Button Stop Switch
6	2900009	8	Flat Washer, 1/4" SAE				(For 13BV, 13H, 14KC, 16KM, 16BV, 18BV)
7	2900302	4	Lock Nut, M6 Nylon	36	2500377	1	Choke Cable
8	3200016	3	Hose Clamp #8	37	2900148	1	Hex Nut, 3/8"-24
9	6048095	1	Inlet Hose, 1/2" I.D.	38	2500462	1	Plug, 3/8" Hole
10	3200020	1	Fitting, 1/2" Male Pipe to 1/2" Hose Barb	39	2500631	1	Plug, 2-1/4" Hole
11	6048167	1	Outlet Hose Assembly, 1/2" I.D.	40	2500204	1	Plug, 1/2" Hole
12	2800062	1	Toggle Switch	41	6048083	1	Weight Kit (Includes #19, #42 - #48)
13	2800063	1	Switch Boot	42	6048067	2	Weight Bar (13 lbs. each)
14	6048089	1	Fuel Tank Kit (Includes #15 - #25)	43	6048068	2	Pointer Extension
15	2500628	1	Fuel Tank (For 20HP Engines)	44	2900303	4	Lock Nut, M8 Nylon
16	2500622	1	Fuel Tank Cap With Gauge	45	2900333	2	Capscrew, Hex Hd., M10 x 25mm
17	2500623	1	Fuel Tank Grommet	46	2900304	2	Lock Nut, M10 Nylon
18	6048053	2	Fuel Tank Mount	47	2900334	2	Capscrew, Hex Hd., M10 x 70mm
19	2900329	12	Capscrew, Hex Hd., M8 x 20mm	48	2900321	6	Lock Washer, M10 Split
20	2900031	8	Lock Washer, 5/16" Split	49	6048087	1	Frame Lift Kit (Includes #48 - #52)
21	2900022	10	Flat Washer, 5/16" SAE	50	6048047	1	Frame Lift Only
22	3200108	1	Fuel Shut-off Valve	51	2900314	4	Capscrew, Hex Hd., M10 x 20mm
23	3200057	1	Elbow, 1/4" Male Pipe to 1/4" JIC	52	2900014	4	Flat Washer, 3/8" SAE
24	3200091	1	Fitting, 1/4" Female JIC to 1/4" Push Lock	53	6048086	1	Water Tank Kit
25	6048096	1	Fuel Line Hose, 1/4" I.D.				(Includes #19, #21, #44, #54 - #59)
26	2500201	1	Fuel Filter With Clamps (For 20H)	54	2500578	1	Water Tank Only
27	6048088	1	Tach/Hour Meter Kit (Includes #28, #29)	55	6048161	1	Water Hose, 3/8" I.D. Clear
28	2800120	1	Tach/Hour Meter Only	56	3200062	2	Hose Clamp #4
29	2701785	2	Screw, Self-Tapping, #6 x 3/8"	57	3200084	1	Fitting, 3/4" Female Garden to 3/8" Hose Barb
30	2500810	1	Throttle Control	58	6048048	1	Water Tank Brace Plate
31	2900309	2	Capscrew, Hex Hd., M5 x 20mm	59	2500586	1	Tiedown, Elastic 24"
32	2900016	2	Flat Washer, #10 USS				



CC1818HY PARTS LIST
Drawing I

Diagram Number	Part No.	Qty. Req.	Description	Diagram Number	Part No.	Qty. Req.	Description
1	2600062	1	Hydraulic Motor, Danfoss 1.16 cu. Inch	20	6048255	1	Weight, Cast Iron (46 lbs.)
	2600063	1	Hydraulic Motor, Danfoss 1.55 cu. Inch	21	2900521	2	Tap Bolt, Hex Hd., 3/8"-16 x 2-1/2"
	2600064	1	Hydraulic Motor, Danfoss 1.94 cu. Inch	22	2900033	2	Hex Nut, 3/8"-16
2	2900119	2	Capscrew, Soc. Hd., 1/2"-13 x 1-3/4"	23	3200086	1	Elbow, Male, 3/4" JIC to 3/4" Pipe
3	2900084	2	Lock Washer, 1/2" Split				(for 1.16 cu. Inch motor)
4	6048229	1	Key, 3/16" Sq. x 1-1/4		3200111	1	Elbow, Male, 3/4" JIC to 1" Pipe
5	6048115	1	Hydraulic Pillow Block				(for 1.55 and 1.94 cu. inch motor)
6	2900062	1	Grease Fitting, 1/8" NPT	24	6048136	1	Hose, 3/4" Return
7	2900005	8	Capscrew, Hex. Hd., 3/8"-16 x 1"	25	3200110	1	Elbow, Male 3/4" JIC to 1/2" Pipe
8	2900006	10	Lock Washer, 3/8" Split	26	6048135	1	Hose, 3/4" Return
9	2900014	10	Flat Washer, 3/8" SAE	27	3200005	1	Valve 3/4" Ball
10	6048116	1	Hydraulic Spindle Shaft	28	3200083	2	Tee, 3/4" Pipe Run
11	6048134	1	Key, 1/4" Sq. x 2-1/4"	29	3200100	1	Coupler, 3/4" Q.D.
12	2500686	2	Bearing, 50mm x 90mm x 20mm	30	3200101	1	Nipple, 3/4" Q.D.
13	4699901	1	Shim	31	2900369	2	U-Bolt, 3/4" Pipe
14	6048117	1	Seal Plate	32	2900125	4	Hex Nut, 1/4"-20
15	3200004	1	Seal, 1-1/8" x 2" x 1/4"	33	2900024	4	Lock Washer, 1/4" Split
16	2500621	2	Sheave, 3.65-4 Groove	34	2900009	4	Flat Washer, 1/4" SAE
17	2500031	1	Taper Bushing, 1-1/8"	35	6048195	1	Assessory Drive Pulley, 1-1/8" Bore
18	2500337	1	Taper Bushing, 1-1/4"	36	2900036	2	Setscrew, Soc. Hd., 5/16"-18 x 1/4"
19	2500037	4	V-Belt, 3VX375	37	2500632	1	V-Belt, 4L-410
				38	(REF)	1	Engine Base

WATER PUMP WIRING DIAGRAM



EQUIPMENT AND PARTS WARRANTY

Diamond Products warrants all equipment manufactured by it against defects in workmanship or materials for a period of one (1) year from the date of shipment to Customer.

The responsibility of Diamond Products under this Warranty is limited to replacement or repair of defective parts at Diamond Products' Elyria, Ohio factory, or at a point designated by it, of such parts as shall appear to us upon inspection at such parts, to have been defective in material or workmanship, with expense for transportation and labor borne by Customer.

In no event shall Diamond Products be liable for consequential or incidental damages arising out of the failure of any Product to operate properly.

Integral units such as engines, electric motors, batteries, transmissions, Etc., are excluded from this Warranty and are subject to the prime manufacturer's warranty.

THIS WARRANTY IS IN LIEU OF ALL OTHER WARRANTIES, EXPRESSED OR IMPLIED, AND ALL SUCH OTHER WARRANTIES ARE HEREBY DISCLAIMED.



333 Prospect Street, Elyria, Ohio 44035
(440) 323-4616 • (800) 321-5336 • Fax (440) 323-8689
www.diamondproducts.com