

DIAMOND

PRODUCTS

CONCRETE SAW

PARTS LIST

MODEL

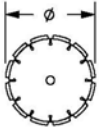

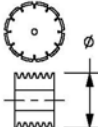
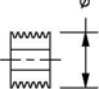
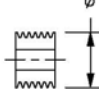
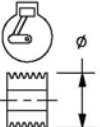

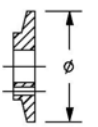
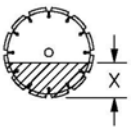
CC3500J

February 2012



PART NO.: 1801378

CC3500J RPM CHART

BLADE SIZE	BLADE RPM	BLADESHAFT SHEAVE	JACKSHAFT SHEAVE INPUT	JACKSHAFT SHEAVE OUTPUT	ENGINE SHEAVE	ENGINE RPM	FLANGE SIZE	MAX CUT DEPTH
14"	3,000	3.65"	5.00"	6.00"	3.65"	3,600	5"	4-3/8"
20"	2,500	3.65"	5.60"	8.00"	3.65"	3,600	5"	7-3/8"
26"	1,900	4.12"	4.75"	8.00"	3.65"	3,600	5"	10-3/8"
30"	1,650	4.12"	4.12"	8.00"	3.65"	3,600	5"	12-3/8"
								

! WARNING !

**The engine exhaust from this product
Contains chemicals known to the
State of California to cause cancer,
Birth defects or other reproductive harm.**



Proposition 65 State of California Warning !

Engine exhaust and some its constituents are known to the State of California to cause cancer, birth defects, and/or other reproductive harm.

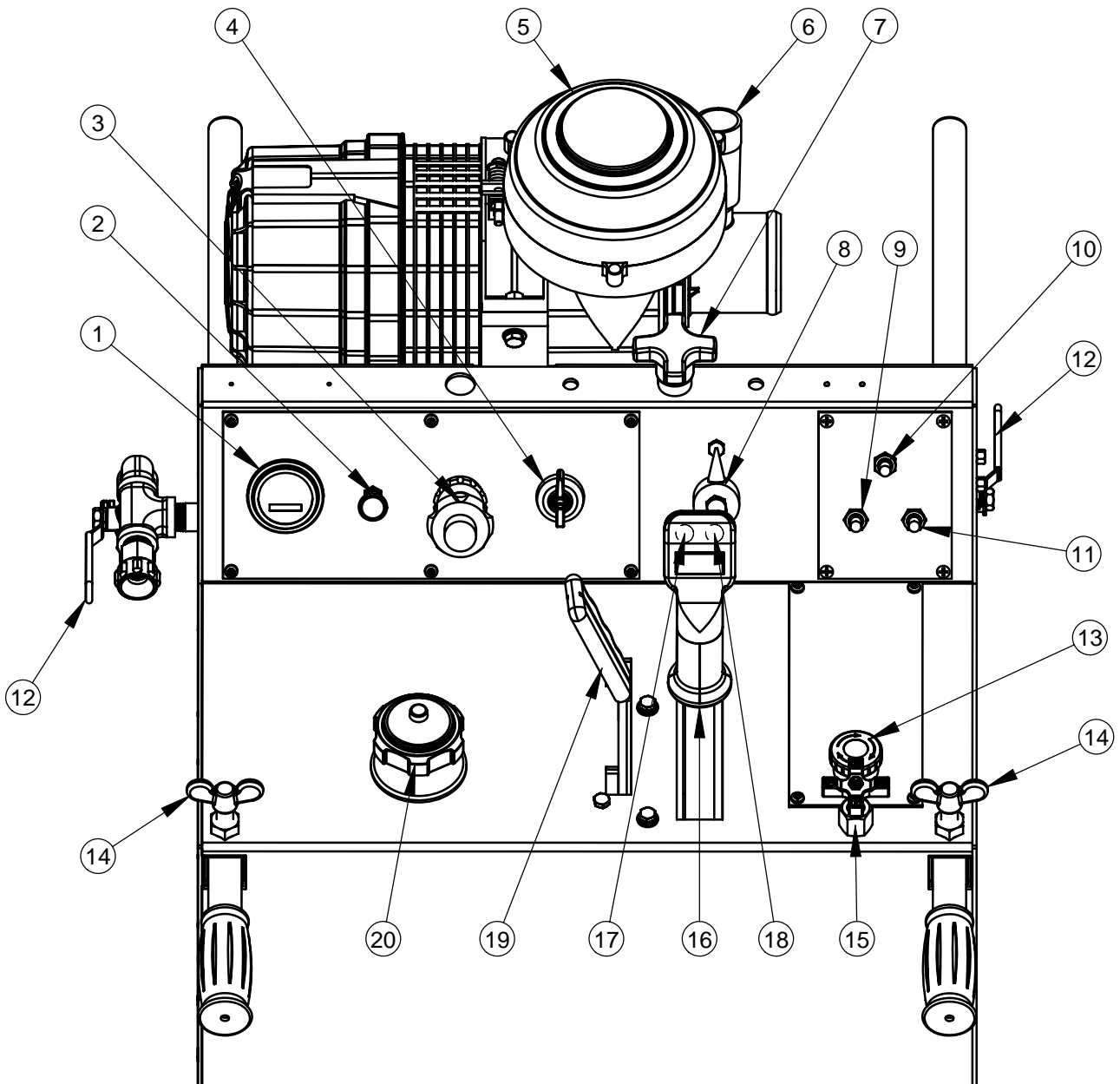
Notification of Spark Arrester Requirement for State of California

It is a violation of Section 4442 or 4443 to use or operate the engine on any forest-covered, brush-covered, or grass-covered land unless the engine is equipped with a spark arrester, as defined in Section 4442, maintained in effective working order or the engine is constructed, equipped, and maintained for the prevention of fire pursuant to Section 4443.

Table of Contents

Controls Legend.....	4	Throttle Assembly (Briggs-Vanguard).....	31
Quick Reference Service Filters / Belts.....	5	Belt Drive Assembly.....	32 - 35
Frame Upright Assembly.....	6	Frame Lift Assembly.....	36
Instrument Panel Assembly.....	8	Belt Guard Assembly.....	37
Control Grip Assembly.....	9	14" Blade Guard Assembly.....	38
Control Lever Assembly (Eaton).....	10	20" Blade Guard Assembly.....	40
Battery Assembly.....	11	26" Blade Guard Assembly.....	42
Hydraulic Pump Assembly.....	12	30" Blade Guard Assembly.....	44
Depth Indicator Assembly.....	13	Blade Shaft Weight Assembly.....	46
Depth Stop Assembly.....	14	Front Pointer Assembly.....	47
Water Supply Assembly.....	15	Optional Water Pump Assembly.....	48
Frame Base Assembly.....	16	Optional Water Safety Switch Assembly.....	49
Hydraulic Cylinder Assembly.....	17	Optional Spot Light Assembly.....	50
Rear Drive Assembly (Eaton).....	18	Optional Magnetic Spot Light Assembly.....	51
Eaton Transmission Assembly.....	20	Optional Shaft Tachometer Assembly.....	52
Linkage Assembly.....	21	Optional Speed Metering Valve Assembly...	53
Front Axle Assembly.....	22	Optional Parking Brake Assembly.....	54
Rear Axle Assembly (Eaton / Gear).....	23	Optional Blade Stacking Assembly.....	56
Blade Shaft Assembly.....	24	Optional Blade Spacing Assembly (Up to 2")	58
Fuel Tank Assembly.....	25	Optional Blade Spacing Assembly (Up to 4")	60
Engine Base Assembly.....	26	Wiring Diagram (Briggs-Vanguard).....	62
Kohler Engine Assembly.....	28	Wiring Diagram (Kohler).....	64
Briggs-Vanguard Engine Assembly.....	29	Decal Group.....	66
Throttle Assembly (Kohler).....	30	Warranty.....	68

Controls Legend			
1	Hour Meter	11	Spotlight Switch (Optional)
2	Choke Control	12	Water Valve
3	Vernier Throttle Cable	13	Emergency Stop Button
4	Ignition Switch	14	Handle Lock Knobs
5	Pre-Cleaner	15	Lowering Speed Meter Valve (Optional)
6	Air Cleaner Restriction Indicator	16	Speed Control Lever
7	Depth Stop Knob	17	Raise Pushbutton
8	Cutting Depth Indicator	18	Lower Pushbutton
9	Water Pump Switch (Optional)	19	Transmission Engagememt Lever
10	Water Safety Switch (Optional)	20	Fuel Tank Cap



Quick Reference Service Filters / Belts

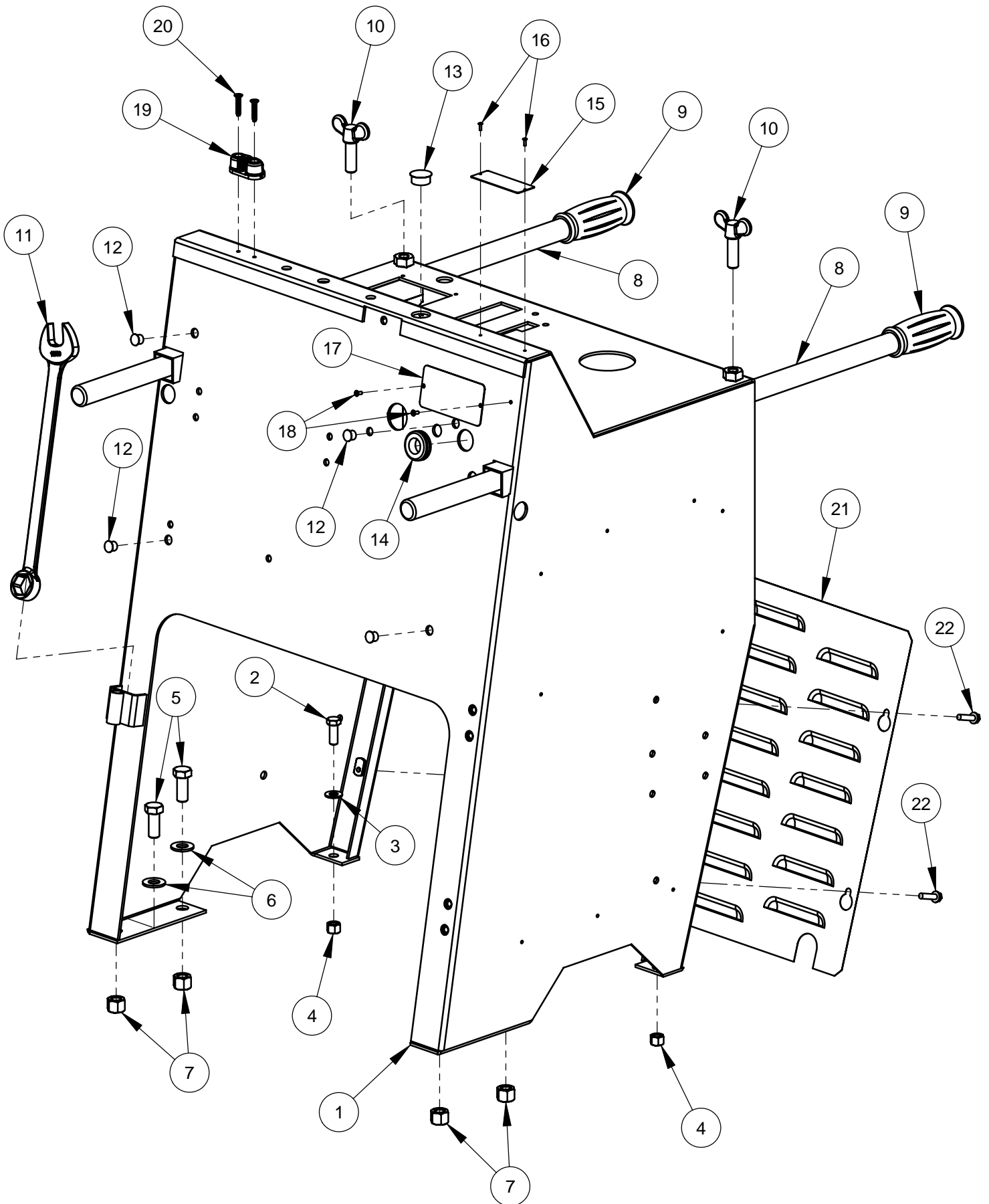
Briggs Vanguard 35HP

DP Part No.	Description	Manufacturer's Part No.
2705507	Engine Oil Filter	(Briggs #842921)
2702626	Spark Plug (2)	(Briggs #491055)
2500201	In-Line Fuel Tank Filter	(Fram #G1 or Wix #33001)
2702627	Outer Primary Air Filter	(Briggs #841497)
2702628	Inner Safety Air Filter	(Briggs #821136)
2500792	Blade Shaft & Jack Shaft Belt (12)	(Gates #3VX400)
2501872	Eaton Transmission Belt	(NAPA #4L600W)

Kohler 40HP

DP Part No.	Description	Manufacturer's Part No.
2704136	Engine Oil Filter	(Kohler #5205002-S)
2702623	Spark Plug (2)	(Champion #XC10YC)
2500201	In-Line Fuel Tank Filter	(Fram #G1 or Wix #33001)
2704135	Outer Primary Air Filter	(Kohler #250801-S)
2704134	Inner Safety Air Filter	(Kohler #250804-S)
2500792	Blade Shaft & Jack Shaft Belt (12)	(Gates #3VX400)
2501872	Eaton Transmission Belt	(NAPA #4L600W)

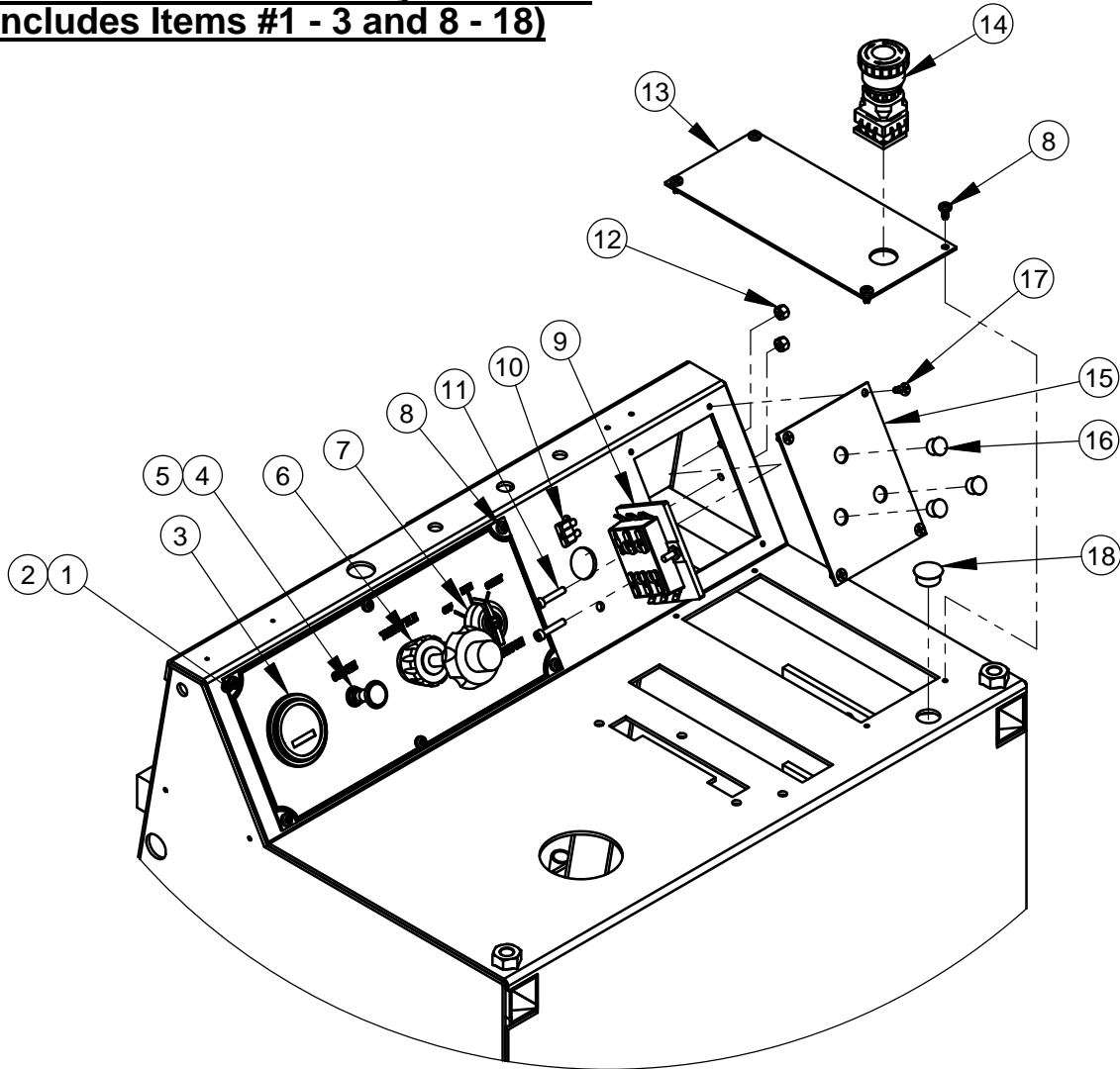
Frame Upright Assembly #6011415



Frame Upright Assembly #6011415

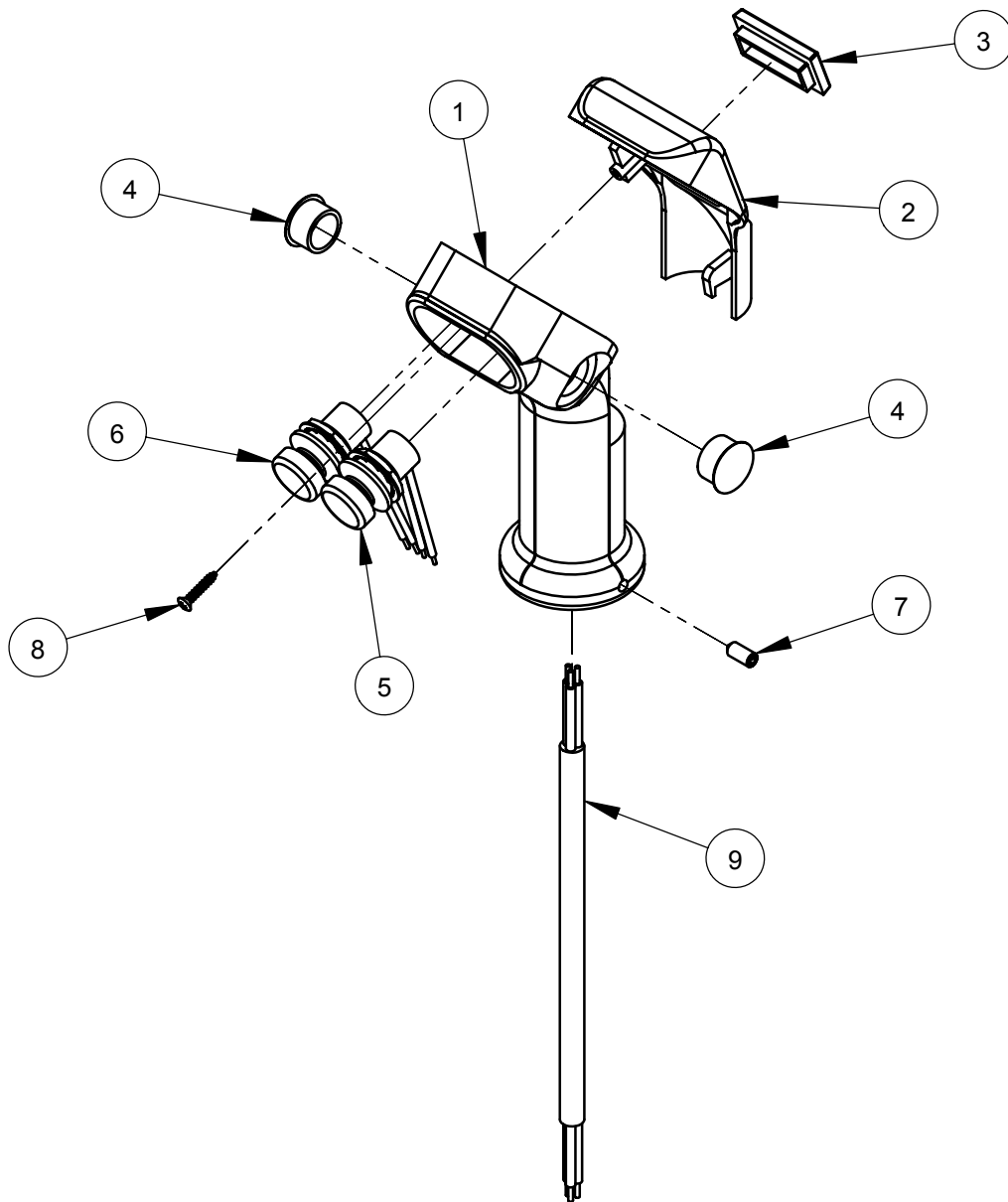
ITEM	PART NO.	QTY.	DESCRIPTION
1	6011401	1	Frame Upright Weldment
2	2900005	2	Cap Screw, Hex Hd., 3/8-16 x 1"
3	2900014	2	Flat Washer, 3/8" SAE
4	2900018	2	Lock Nut, 3/8-16 Nylon
5	2900025	4	Cap Screw, Hex Hd., 1/2-13 x 1-1/4"
6	2900058	4	Flat Washer, 1/2" SAE
7	2900026	4	Lock Nut, 1/2-13 Nylon
8	6010014	2	Handle Bar, 36" Long
9	2500636	2	Handle Grip
10	2900430	2	Hand Lock Knob, 1/2-13 x 1-1/2"
11	2503704	1	Wrench, 15/16" Combination
12	2501287	4	Plug, 7/16" Hole
13	2500549	1	Plug, 7/8" Hole
14	2500203	1	Grommet, 3/4" I.D.
15	1800169	1	Serial Number Plate, US
16	2900096	2	Rivet, 3/32" Dia.
17	1800377	1	Serial Number Plate, CE
18	2900287	2	Rivet, 1/8" Dia.
19	2501427	1	Cable Cleat
20	2900483	2	Tap Screw, Flat Hd., #10-24 x 1"
21	6011023	1	Rear Cover Screen
22	2900180	4	Cap Screw, Hex Flange Hd., 1/4-20 x 1"

Instrument Panel Assembly #6011381
(Includes Items #1 - 3 and 8 - 18)



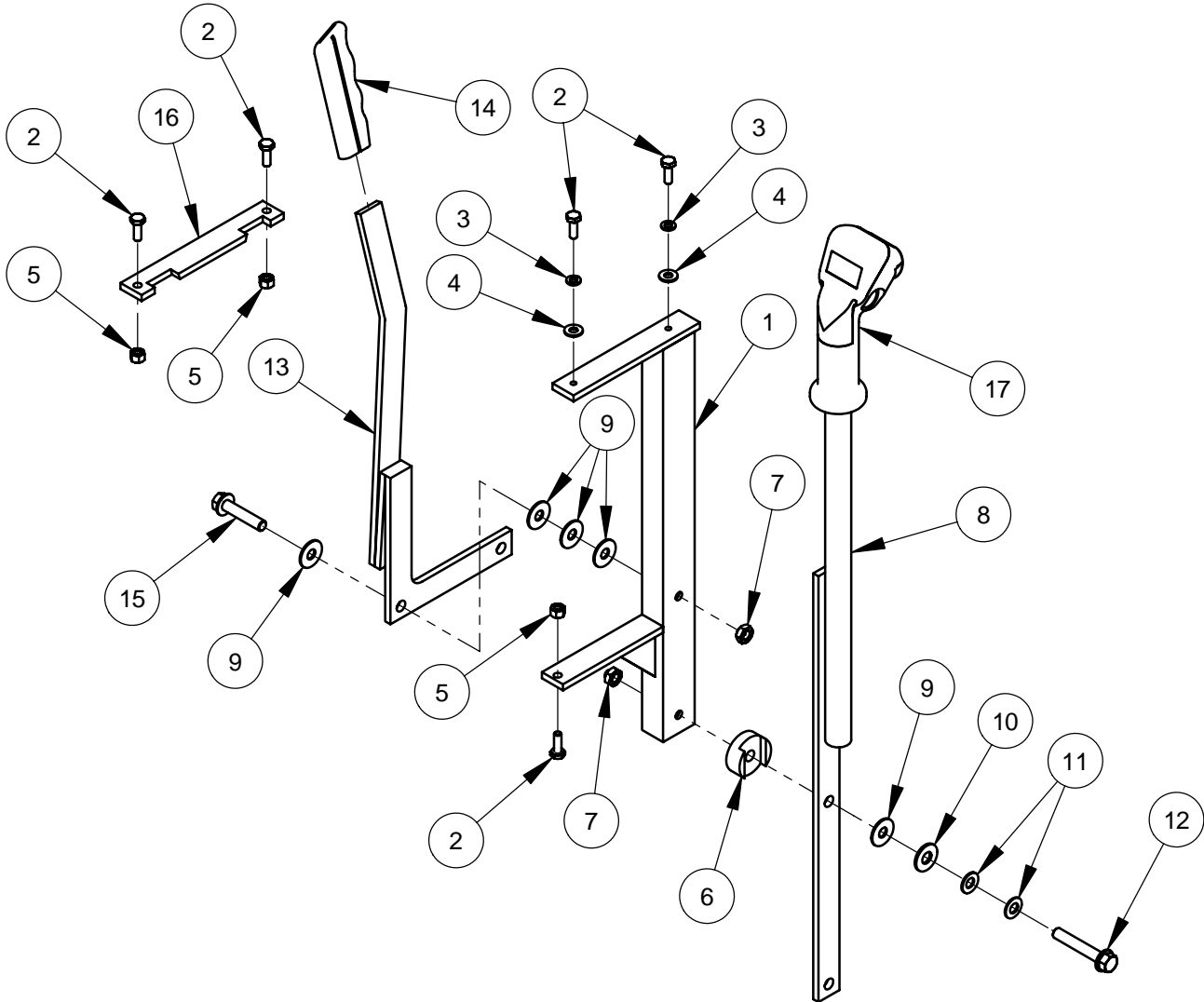
ITEM	PART NO.	QTY.	DESCRIPTION
1	6011380	1	Gauge Panel
2	1801382	1	Instrument Panel Decal, CC3500J
3	2800064	1	Hour Meter
4	2503832	1	Choke Cable
5	2900148	1	Hex Nut, 3/8-24
6	2503833	1	Throttle Controller
7	2702622	1	Ignition Switch, Briggs Vanguard, 35HP
8	2900021	10	Tap Screw, Pan Hd., #10-24 x 3/8"
9	2800388	1	Fuse Panel, 6 Circuit
10	2800389	6	Fuse, 10 Amp Red ATO/ATC
11	2900913	2	Cap Screw, Soc. Hd., #10-24 x 1"
12	2900017	2	Lock Nut, #10-24 Nylon
13	6011024	1	Hydraulic Pump Cover Plate
14	2801367	1	E-Stop Switch
15	6010098	1	Switch Plate
16	2500204	3	Plug, 1/2" Hole
17	2900445	4	Tap Screw, Flat Hd., #10-24 x 1/2"
18	2500463	1	Plug, 3/4" Hole

Control Grip Assembly #6010319



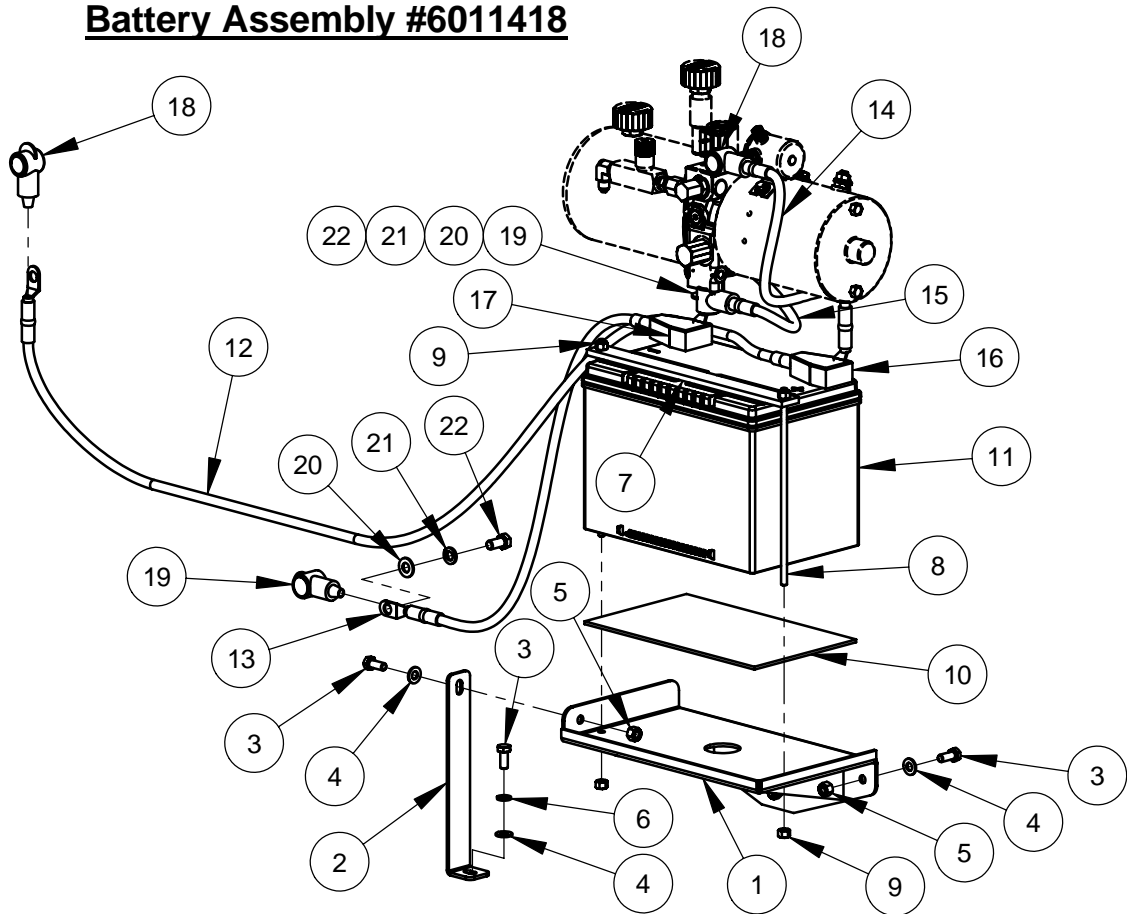
ITEM	PART NO.	QTY.	DESCRIPTION
1	2501280	1	Control Grip Body
2	2501281	1	Control Grip Cover
3	2500644	1	Plug, Rectangular
4	2500694	2	Plug, 5/8" Hole
5	2800372	1	Pushbutton Switch, Raise
6	2800373	1	Pushbutton Switch, Lower
7	2900453	1	Set Screw, Soc. Hd., M5 x 12mm
8	2900452	1	Machine Screw, Oval Hd., #4 x 5/8"
9	2800393	1	Harness, Hydraulic Pump

Control Lever Assembly #6011417 (Eaton)



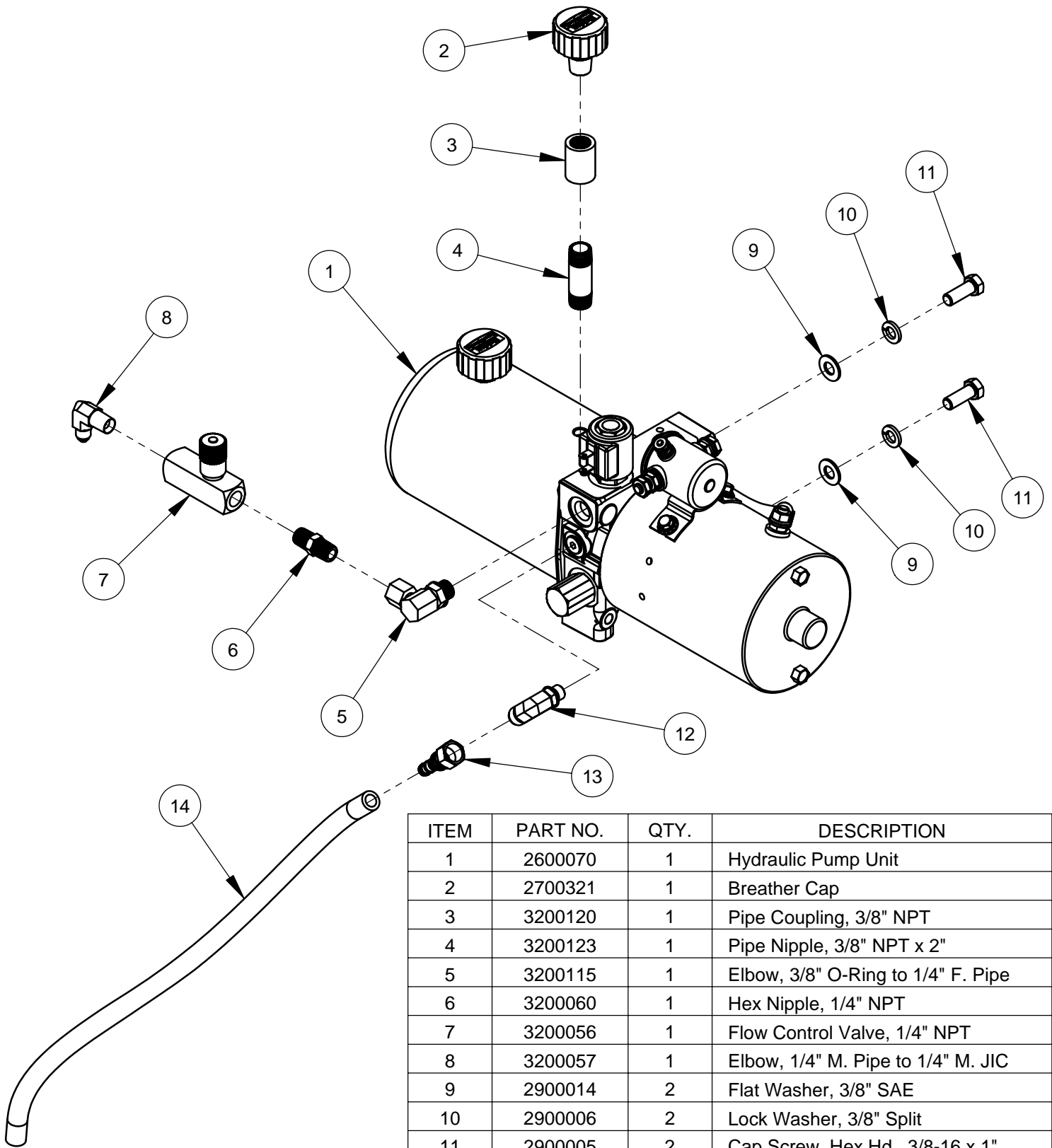
ITEM	PART NO.	QTY	DESCRIPTION
1	6011410	1	Lever Support Weldment
2	2900144	5	Cap Screw, Hex Hd., 1/4-20 x 3/4"
3	2900024	2	Lock Washer, 1/4" Split
4	2900009	2	Flat Washer, 1/4" SAE
5	2900010	3	Lock Nut, 1/4-20 Nylon
6	6010055	1	Friction Spacer
7	2900782	2	Jam Nut, 3/8-16
8	6011414	1	Speed Control Lever
9	2900153	5	Friction Washer, 3/8"
10	2900473	1	Flat Washer, 3/8" USS
11	2900474	2	Belleville Washer, 3/8"
12	2900781	1	Cap Screw, Hex Flange Hd., 3/8-16 x 2-1/4"
13	6010057	1	Engagement Lever Weldment
14	2500002	1	Lever Grip
15	2900780	1	Cap Screw, Hex Flange Hd., 3/8-16 x 1-3/4"
16	6010058	1	Gate Plate
17	6010319	1	Control Grip Assembly

Battery Assembly #6011418



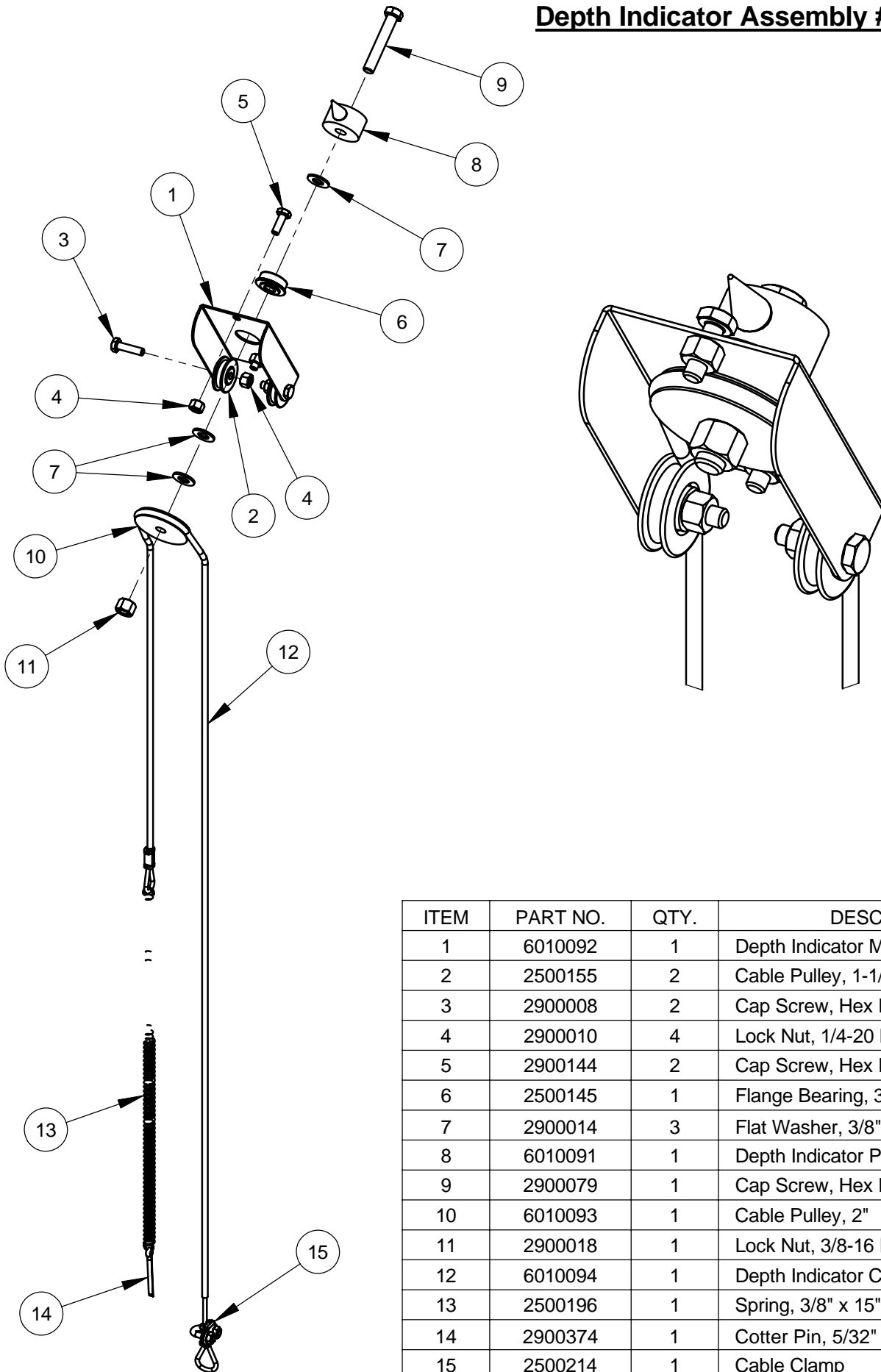
ITEM	PART NO.	QTY.	DESCRIPTION
1	6010670	1	Battery Platform
2	6010554	1	Battery Support Brace
3	2900019	5	Cap Screw, Hex Hd., 5/16-18 x 3/4"
4	2900022	5	Flat Washer, 5/16" SAE
5	2900039	4	Lock Nut, 5/16-18 Nylon
6	2900031	1	Lock Washer, 5/16" Split
7	6010017	1	Battery Top Brace
8	6010018	2	Rod, 1/4-20 x 8-1/2"
9	2900010	4	Lock Nut, 1/4-20 Nylon
10	6010016	1	Battery Pad
11	2700208	1	Battery, 12 Volt Group Size 34
12	2800073	1	Battery Cable, Positive (Red)
13	2800072	1	Battery Cable, Negative (Black)
14	2800095	1	Battery Cable, 14" Positive (Red)
15	2800182	1	Battery Cable, 14" Negative (Black)
16	2800256	1	Battery Boot, Large (Red)
17	2800257	1	Battery Boot, Large (Black)
18	2800197	2	Battery Boot, Small (Red)
19	2800198	2	Battery Boot, Small (Black)
20	2900014	2	Flat Washer, 3/8" SAE
21	2900006	2	Lock Washer, 3/8" Split
22	2900196	2	Cap Screw, Hex Hd., 3/8-16 x 3/4"

Hydraulic Pump Assembly #6011077
(Includes Items #1 - #11)



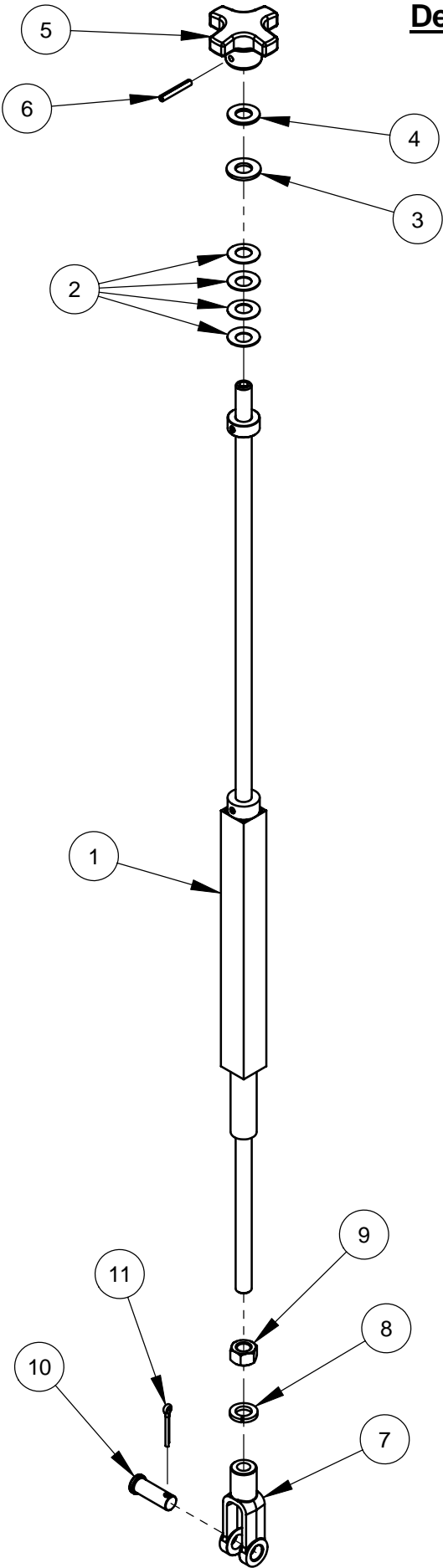
ITEM	PART NO.	QTY.	DESCRIPTION
1	2600070	1	Hydraulic Pump Unit
2	2700321	1	Breather Cap
3	3200120	1	Pipe Coupling, 3/8" NPT
4	3200123	1	Pipe Nipple, 3/8" NPT x 2"
5	3200115	1	Elbow, 3/8" O-Ring to 1/4" F. Pipe
6	3200060	1	Hex Nipple, 1/4" NPT
7	3200056	1	Flow Control Valve, 1/4" NPT
8	3200057	1	Elbow, 1/4" M. Pipe to 1/4" M. JIC
9	2900014	2	Flat Washer, 3/8" SAE
10	2900006	2	Lock Washer, 3/8" Split
11	2900005	2	Cap Screw, Hex Hd., 3/8-16 x 1"
12	3200116	1	Elbow, 1/4" O-Ring to 3/8" M. JIC
13	3200046	1	Fitting, 3/8" F. JIC to 3/8" Push Lock
14	6010059	1	Clear Hose, 3/8" I.D. x 19"

Depth Indicator Assembly #6010214



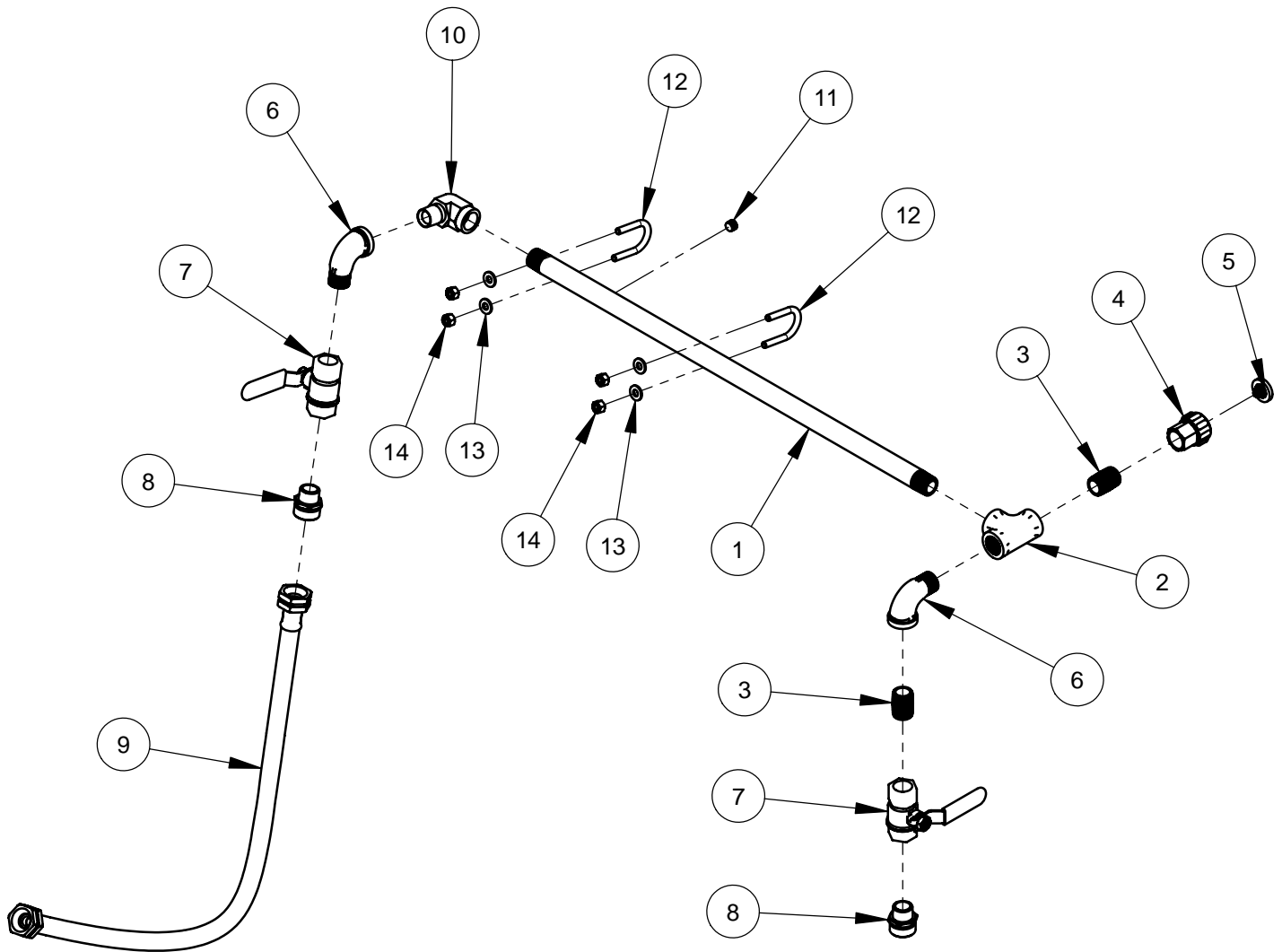
ITEM	PART NO.	QTY.	DESCRIPTION
1	6010092	1	Depth Indicator Mount Bracket
2	2500155	2	Cable Pulley, 1-1/4"
3	2900008	2	Cap Screw, Hex Hd., 1/4-20 x 1"
4	2900010	4	Lock Nut, 1/4-20 Nylon
5	2900144	2	Cap Screw, Hex Hd., 1/4-20 x 3/4"
6	2500145	1	Flange Bearing, 3/8"
7	2900014	3	Flat Washer, 3/8" SAE
8	6010091	1	Depth Indicator Pointer
9	2900079	1	Cap Screw, Hex Hd., 3/8-16 x 2-1/4"
10	6010093	1	Cable Pulley, 2"
11	2900018	1	Lock Nut, 3/8-16 Nylon
12	6010094	1	Depth Indicator Cable with Crimp, 48"
13	2500196	1	Spring, 3/8" x 15"
14	2900374	1	Cotter Pin, 5/32" x 1-1/2"
15	2500214	1	Cable Clamp

Depth Stop Assembly #6010215



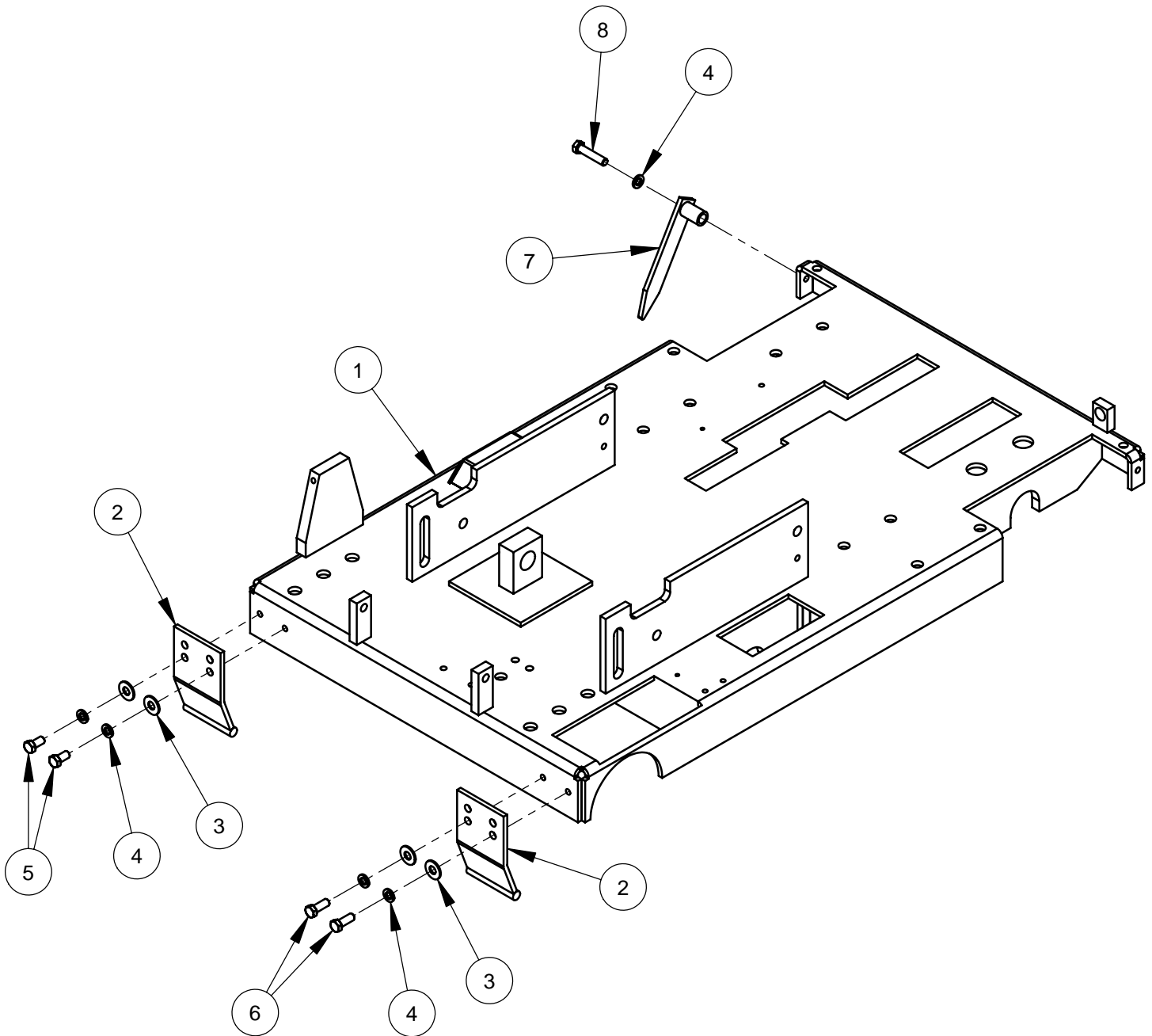
ITEM	PART NO.	QTY.	DESCRIPTION
1	6010097	1	Depth Stop Weldment
2	2900665	4	Belleville Washer, 1/2"
3	2900058	1	Flat Washer, 1/2" SAE
4	2900239	1	Friction Washer, 1/2"
5	6010095	1	Depth Stop Knob
6	2900132	1	Roll Pin, 3/16" x 1-1/4"
7	2900158	1	Yoke, 1/2-13
8	2900084	1	Lock Washer, 1/2" Split
9	2900037	1	Hex Nut, 1/2-13
10	2900007	1	Clevis Pin, 1/2" Dia. x 1-3/8"
11	2900004	1	Cotter Pin, 1/8" x 1"

Water Supply Assembly #6011419



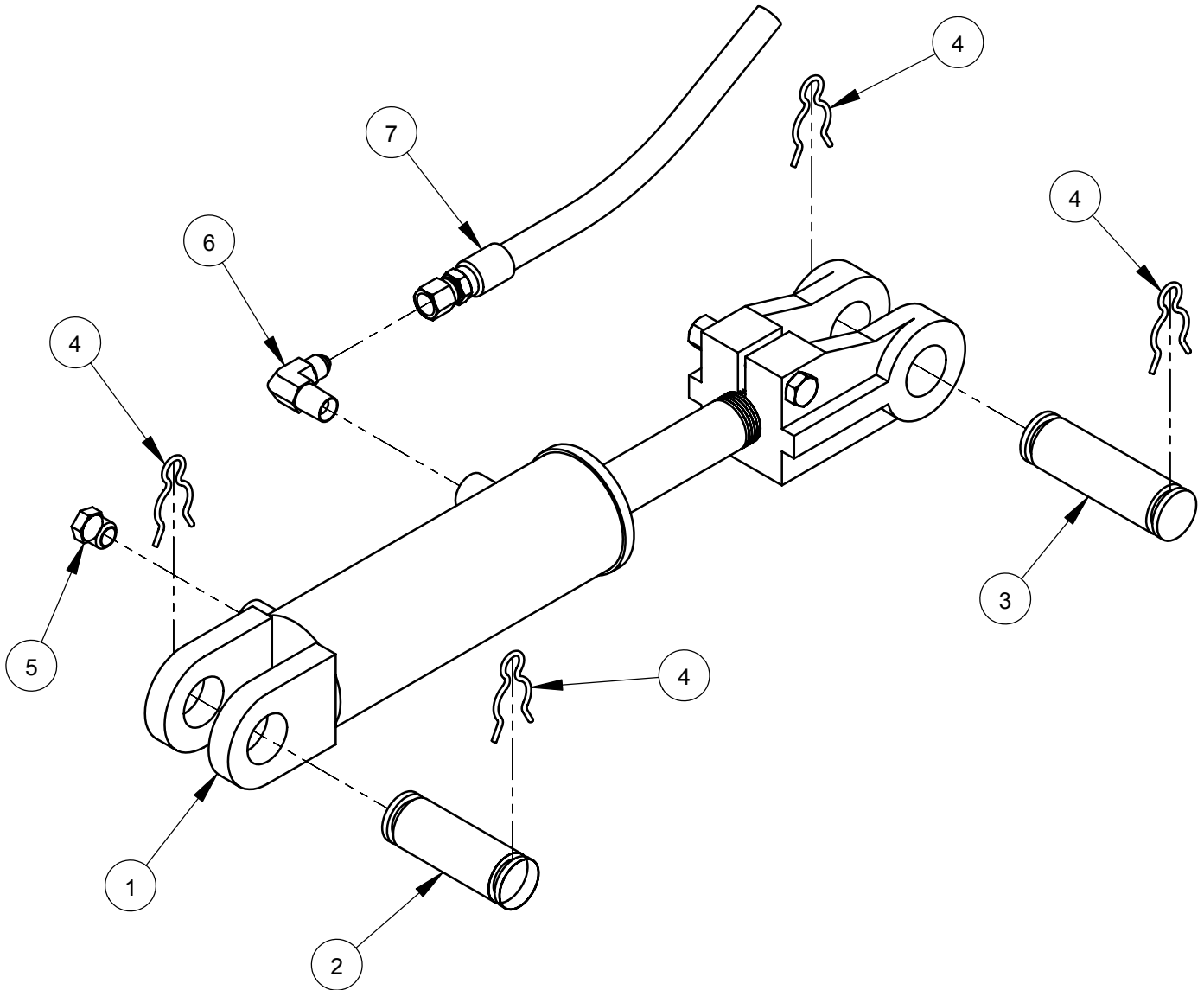
ITEM	PART NO.	QTY.	DESCRIPTION
1	6090067	1	Water Supply Tube
2	3200045	1	Pipe Tee, 1/2" NPT
3	3200008	2	Close Nipple, 1/2" NPT
4	3200022	1	Fitting, 1/2" F. Pipe to 3/4" F. Garden
5	3200025	1	Hose Filter Washer
6	3200013	2	Street Elbow, 1/2" NPT
7	3200027	2	Water Valve
8	3200155	2	Fitting, 1/2" M. Pipe to 3/4" M. Garden
9	6011055	1	Water Hose Assembly, 30" Long
10	3200173	1	Street Elbow, 1/2" NPT Steel
11	3200001	1	Plug, 1/8" NPT
12	2900241	2	U-Bolt, 1/2" Pipe
13	2900009	4	Flat Washer, 1/4" SAE
14	2900010	4	Lock Nut, 1/4-20 Nylon

Frame Base Assembly #6011422



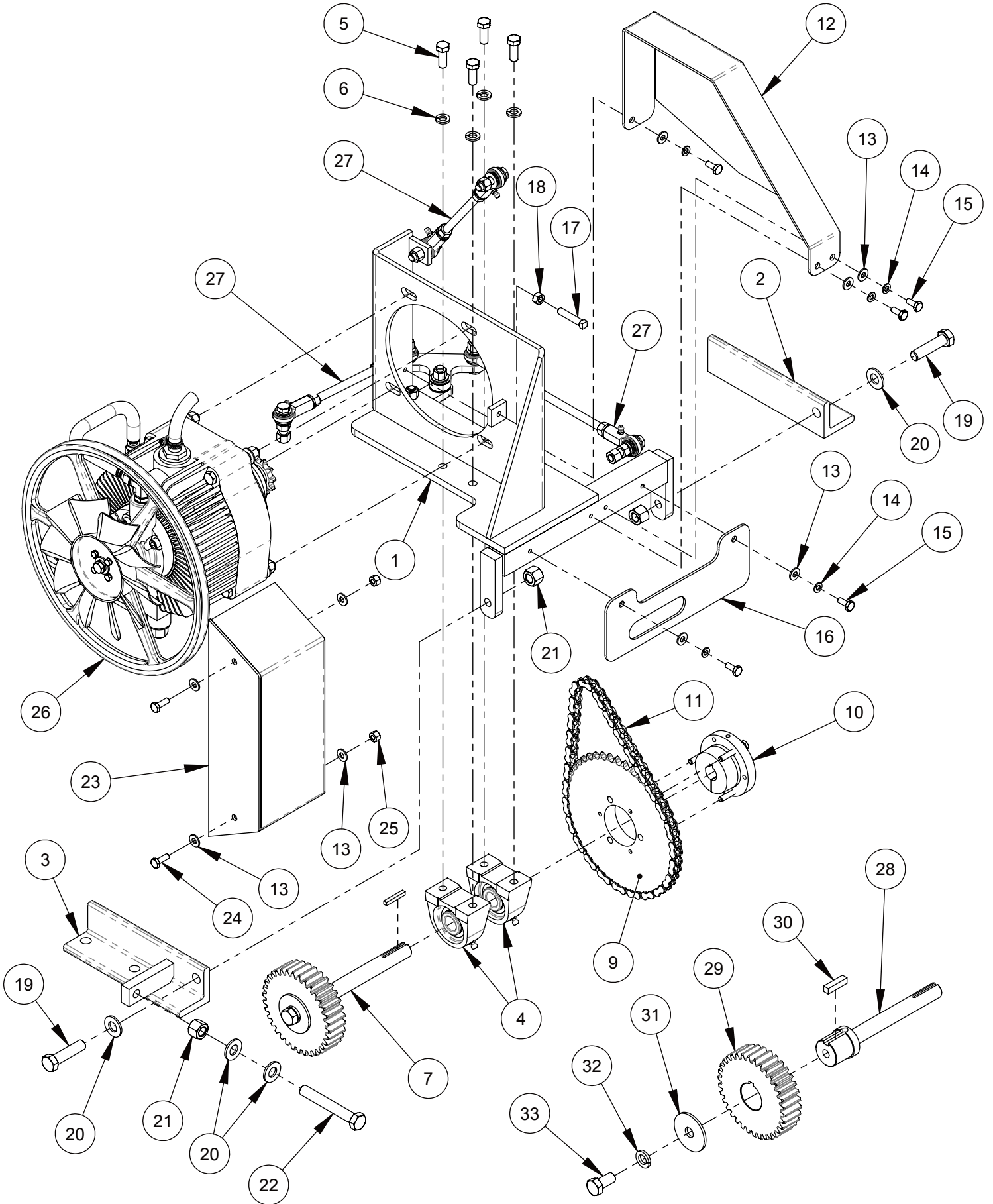
ITEM	PART NO.	QTY.	DESCRIPTION
1	6011400A	1	Frame Base
2	6011021	2	Skid Plate
3	2900473	4	Flat Washer, 3/8" USS
4	2900006	5	Lock Washer, 3/8" Split
5	2900196	2	Cap Screw, Hex Hd., 3/8-16 x 3/4"
6	2900005	2	Cap Screw, Hex Hd., 3/8-16 x 1"
7	6010022	1	Rear Pointer
8	2900047	1	Cap Screw, Hex Hd., 3/8-16 x 1-3/4"

Hydraulic Cylinder Assembly #6010714



ITEM	PART NO.	QTY.	DESCRIPTION
1	2500177	1	Hydraulic Cylinder
2	6010031	1	Cylinder Pin, 3"
3	6010119	1	Cylinder Pin, 3-1/2"
4	2900064	4	Hair Pin Cotter, 3/4"
5	3200067	1	Cylinder Breather, 1/4" NPT
6	3200057	1	Elbow, 1/4" M. Pipe to 1/4" M. JIC
7	3200054	1	Hose Assembly, 32" Long

Rear Drive Assembly #6011461 (Eaton)

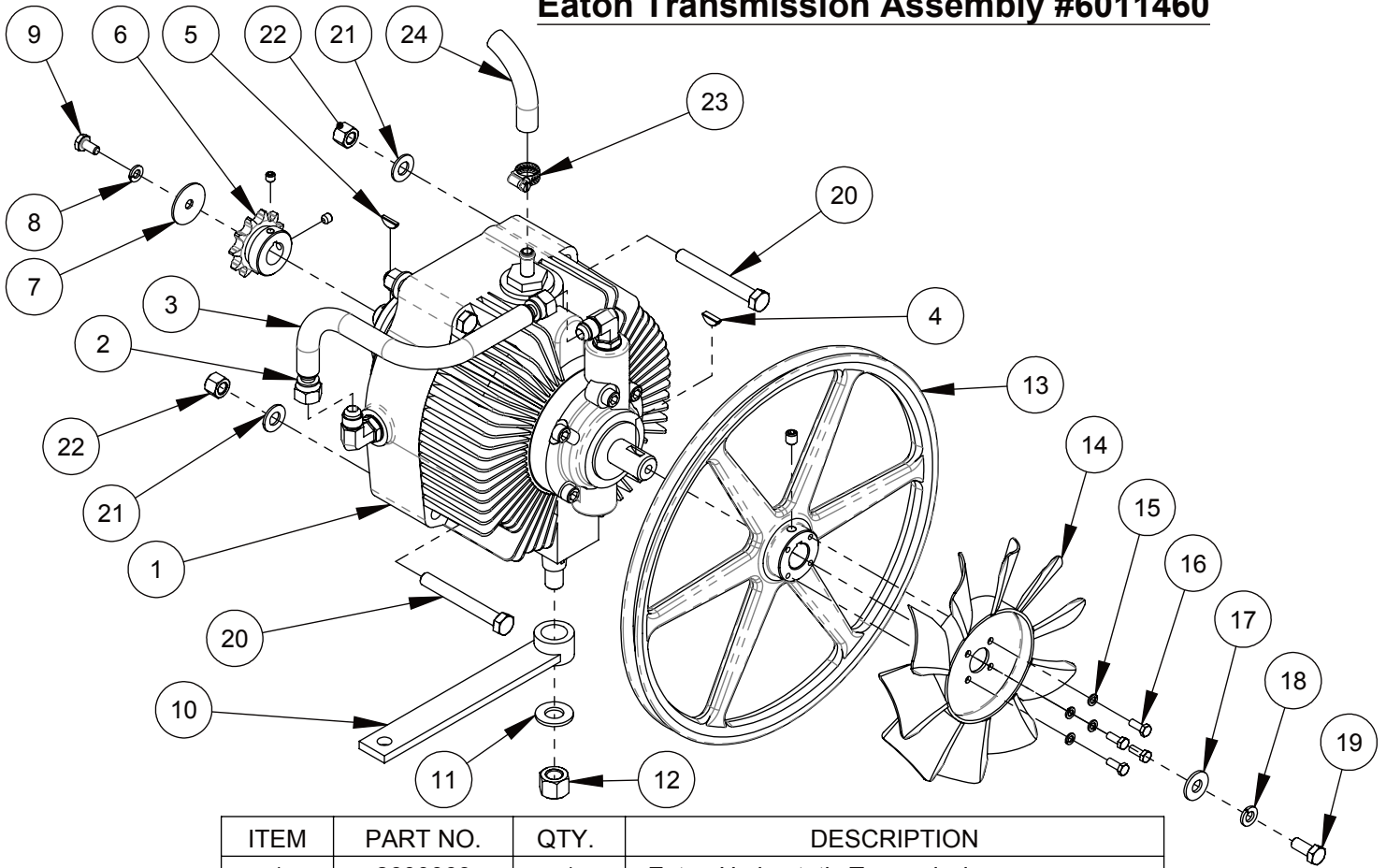


Rear Drive Assembly #6011461 (Eaton)

ITEM	PART NO.	QTY.	DESCRIPTION
1	6010068	1	Transmission Platform Weldment
2	6010027	1	Mount Foot, Right Hand
3	6011408	1	Mount Foot, Adjustable
4	2500159	2	Pillow Block Bearing, 3/4"
5	2900005	4	Cap Screw, Hex Hd., 3/8-16 x 1"
6	2900006	4	Lock Washer, 3/8" Split
7	6011442	1	Transmission Jackshaft Assembly
8	6048229	1	Key, 3/16" Sq. x 1-1/4"
9	2500148	1	Sprocket, #40 x 45 Tooth
10	2500149	1	QD Bushing, SDS x 3/4" w/Fasteners
11	6010069	1	Chain, #40 x 56 Pitch
12	6010671	1	Chain Guard
13	2900009	9	Flat Washer, 1/4" SAE
14	2900024	5	Lock Washer, 1/4" Split
15	2900023	5	Cap Screw, Hex Hd., 1/4-20 x 5/8"
16	6010679	1	Gear Guard
17	2900140	1	Set Screw, Sq. Hd., 5/16-18 x 1-1/2"
18	2900141	1	Hex Nut, 5/16-18
19	2900106	2	Cap Screw, Hex Hd., 1/2-13 x 2"
20	2900058	4	Flat Washer, 1/2" SAE
21	2900026	3	Lock Nut, 1/2-13 Nylon
22	2900542	1	Tap Bolt, Hex Hd., 1/2-13 x 3-1/2"
23	6011462	1	Fan Guard, 12" Pulley
24	2900144	2	Cap Screw, Hex Hd., 1/4-20 x 3/4"
25	2900010	2	Lock Nut, 1/4-20 Nylon
26	6011460	1	Eaton Transmission Assembly
27	6011425	1	Linkage Assembly

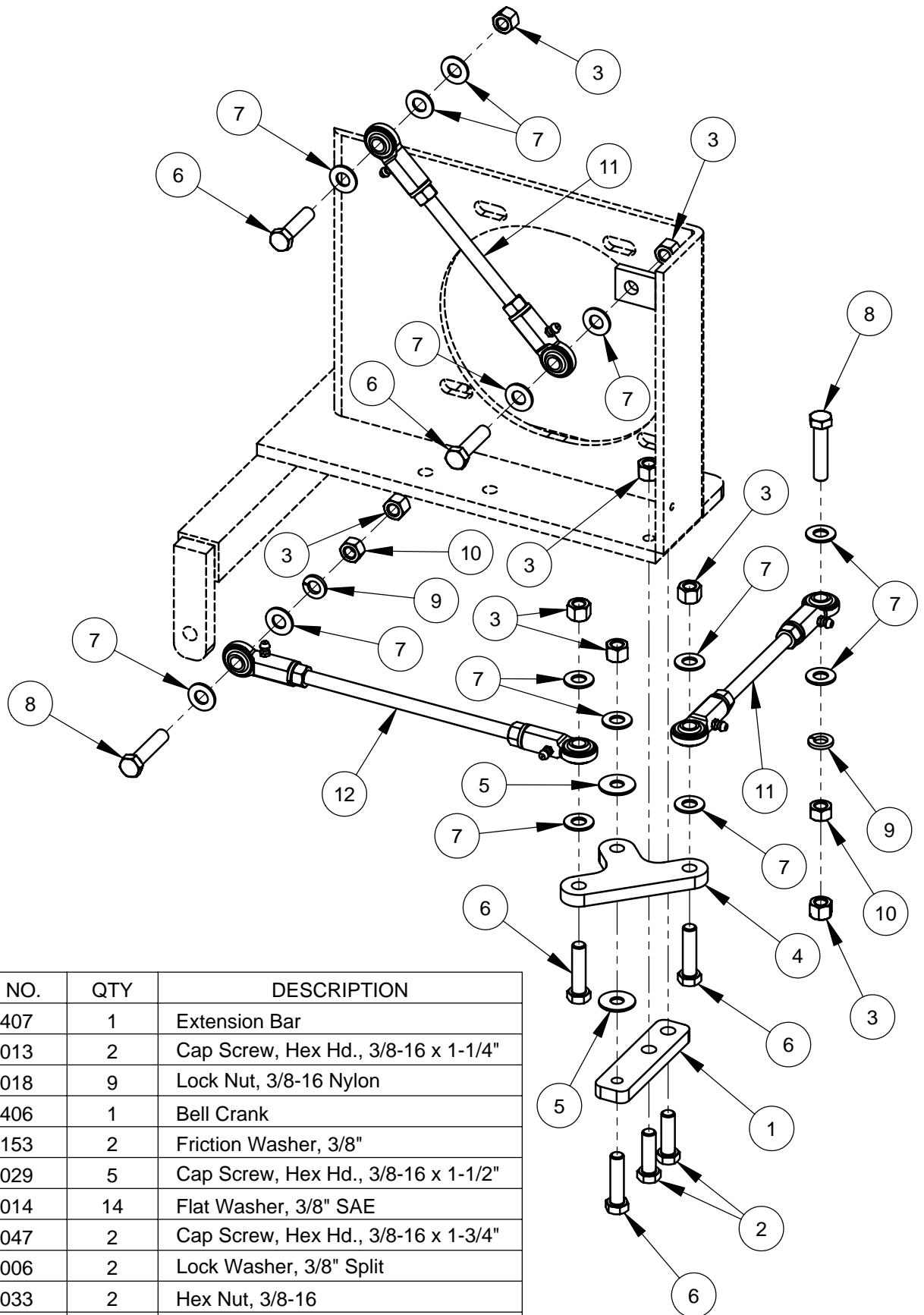
ITEM	PART NO.	QTY.	DESCRIPTION
28	6011443	1	Gear Jackshaft
29	6011444	1	Spur Gear, 34 Tooth
30	2502531	1	Key, 5/16" Sq. x 1-1/4"
31	2900854	1	Fender Washer, 1/2" x 2"
32	2900084	1	Lock Washer, 1/2" Split
33	2900086	1	Cap Screw, Hex Hd., 1/2-13 x 1"

Eaton Transmission Assembly #6011460



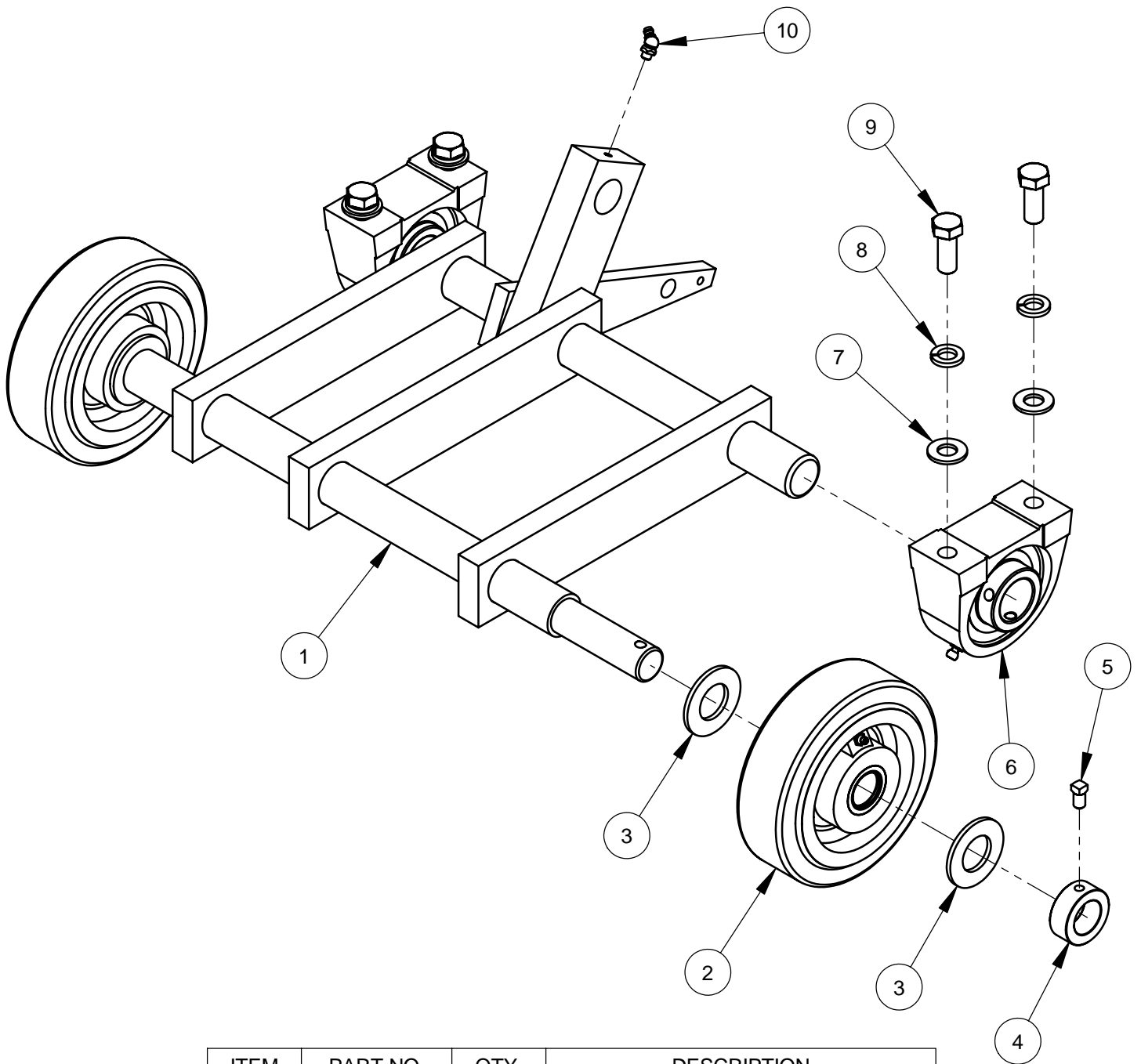
ITEM	PART NO.	QTY.	DESCRIPTION
1	2600068	1	Eaton Hydrostatic Transmission
2	3200046	2	Fitting, 3/8" F. JIC to 3/8" Push Lock
3	6010060	1	Oil Recirculation Hose, 3/8" I.D. x 9"
4	2900143	1	Woodruff Key #61, 3/16" x 5/8"
5	2900063	1	Woodruff Key #405, 1/8" x 5/8"
6	2500150	1	Sprocket, #40 x 11 Tooth w/Setscrews
7	2900083	1	Fender Washer, 1/4" x 1-1/4"
8	2900024	1	Lock Washer, 1/4" Split
9	2900082	1	Cap Screw, Hex Hd., 1/4-20 x 1/2"
10	6010064	1	Shift Lever
11	2900058	1	Flat Washer, 1/2" SAE
12	2900026	1	Lock Nut, 1/2-13 Nylon
13	6011459	1	Transmission Pulley 12" w/Setscrew
14	2500519	1	Cooling Fan, 7"
15	2900038	4	Lock Washer, #10 Split
16	2900448	4	Machine Screw, Hex Hd., #10-32 x 1/2"
17	2900567	1	Flat Washer, 5/16" USS
18	2900031	1	Lock Washer, 5/16" Split
19	2900019	1	Cap Screw, Hex Hd., 5/16-18 x 3/4"
20	2900035	4	Cap Screw, Hex Hd., 3/8-16 x 3"
21	2900014	4	Flat Washer, 3/8" SAE
22	2900018	4	Lock Nut, 3/8-16 Nylon
23	3200062	1	Hose Clamp #4
24	6010059	1	Clear Hose, 3/8" I.D. x 19"

Linkage Assembly #6011425



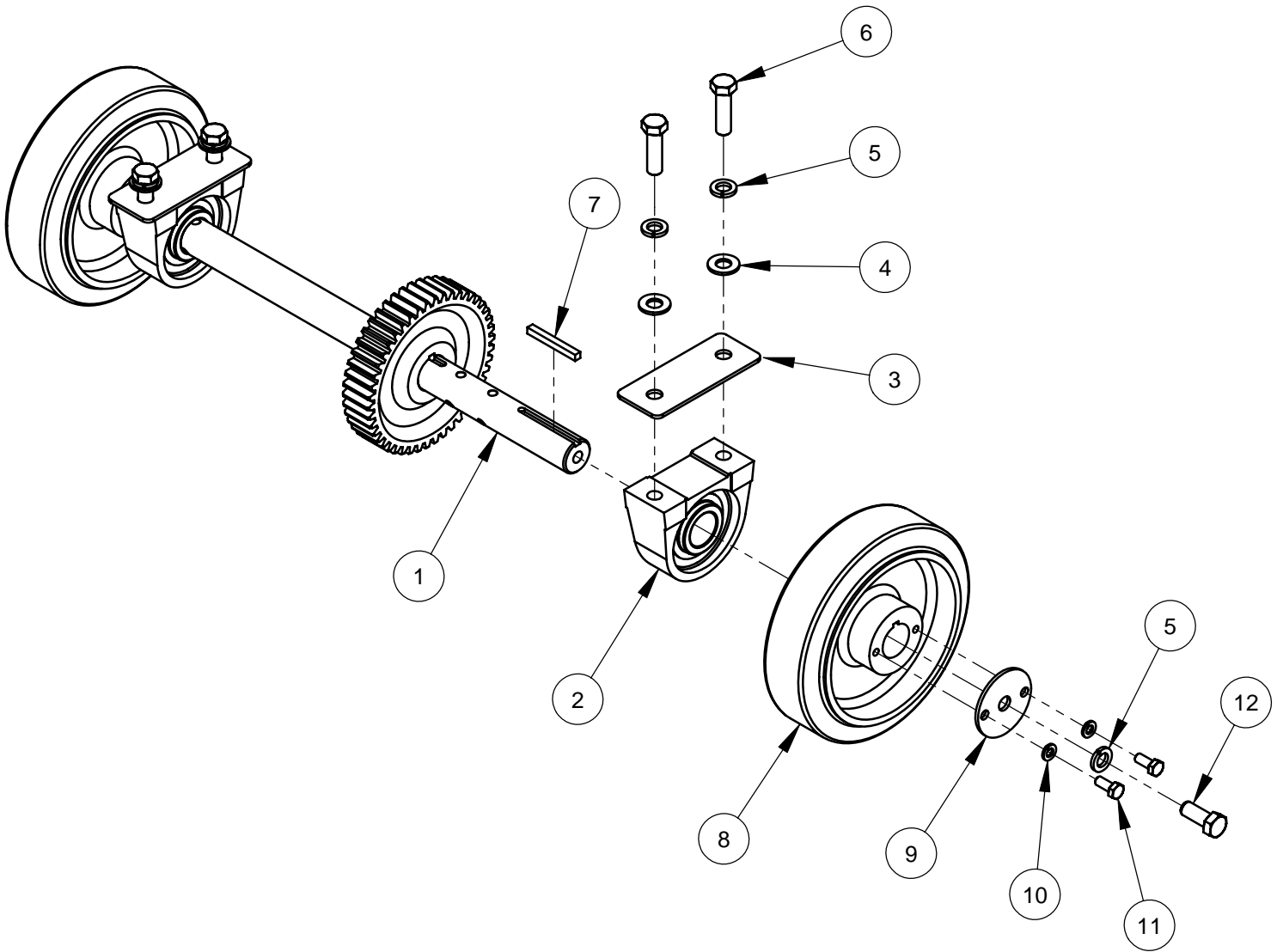
ITEM	PART NO.	QTY	DESCRIPTION
1	6011407	1	Extension Bar
2	2900013	2	Cap Screw, Hex Hd., 3/8-16 x 1-1/4"
3	2900018	9	Lock Nut, 3/8-16 Nylon
4	6011406	1	Bell Crank
5	2900153	2	Friction Washer, 3/8"
6	2900029	5	Cap Screw, Hex Hd., 3/8-16 x 1-1/2"
7	2900014	14	Flat Washer, 3/8" SAE
8	2900047	2	Cap Screw, Hex Hd., 3/8-16 x 1-3/4"
9	2900006	2	Lock Washer, 3/8" Split
10	2900033	2	Hex Nut, 3/8-16
11	6011412	2	Linkage Assembly 7-3/4"
12	6012095	1	Linkage Assembly 10-1/2"

Front Axle Assembly #6011070



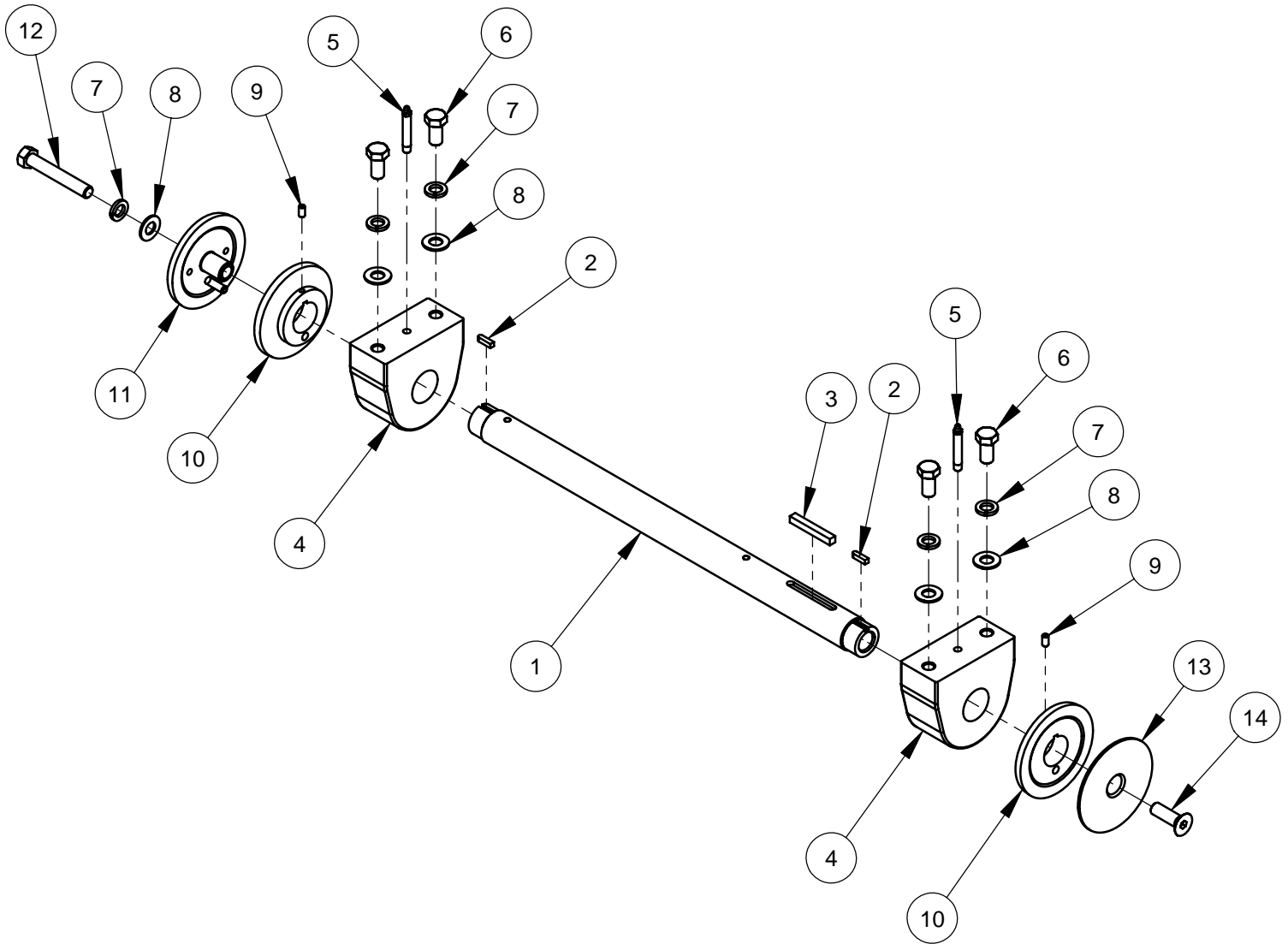
ITEM	PART NO.	QTY.	DESCRIPTION
1	6011003	1	Front Axle Weldment
2	2500299	2	Wheel, 6" Front
3	2900295	4	Flat Washer, 1" SAE
4	2500009	2	Set Collar, 1" ID
5	2900431	2	Set Screw, Sq. Hd., 5/16-18 x 1/2"
6	2500158	2	Pillow Block Bearing 1-1/4"
7	2900058	4	Flat Washer, 1/2" SAE
8	2900084	4	Lock Washer, 1/2" Split
9	2900025	4	Cap Screw, Hex Hd., 1/2-13 x 1-1/4"
10	2900184	1	Grease Fitting, 1/4" NPT x 45 degree

Rear Axle Assembly #6011402 (Eaton / Gear)



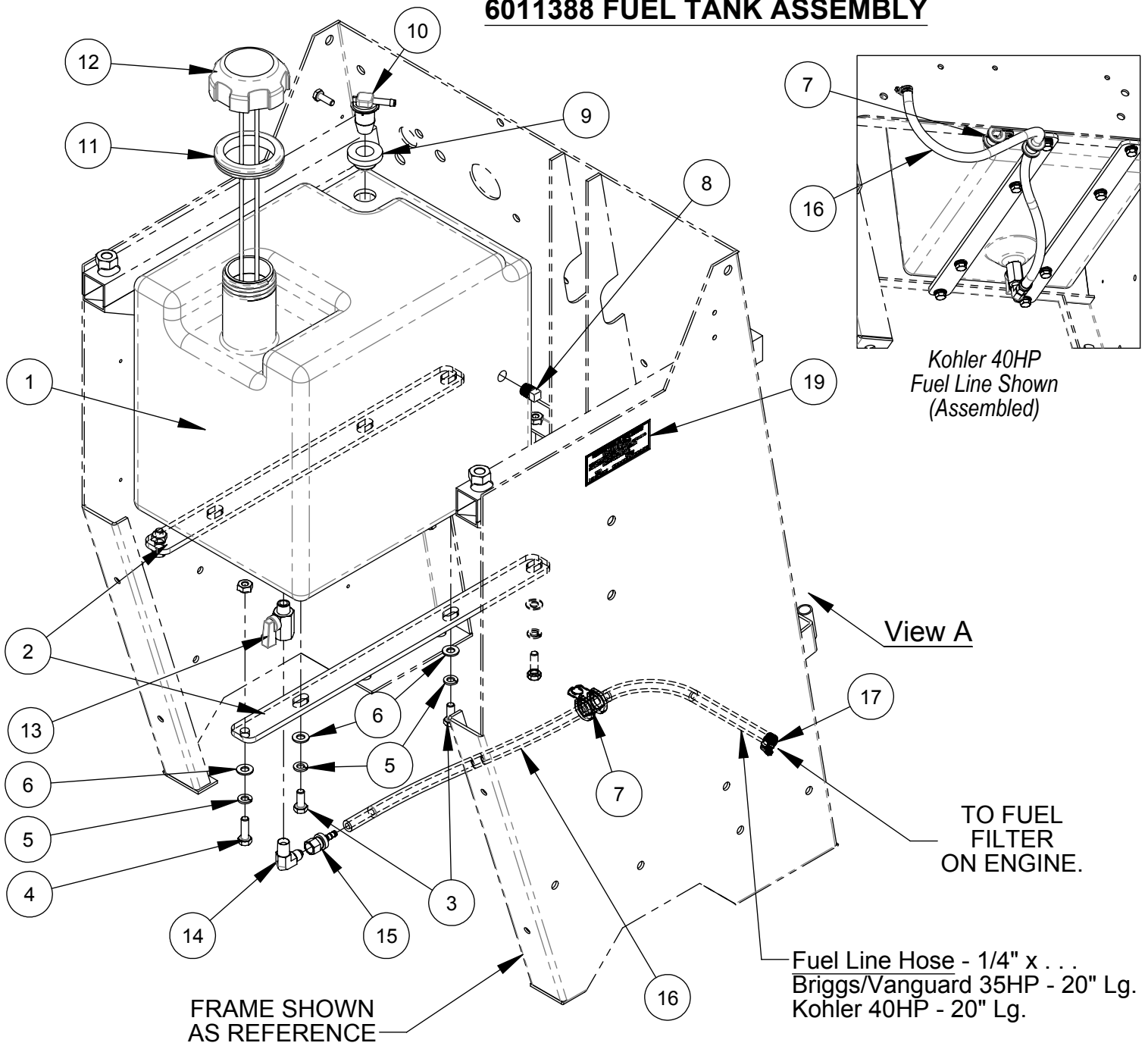
ITEM	PART NO.	QTY.	DESCRIPTION
1	6011403	1	Rear Axle Weldment w/46 Tooth Gear
2	2500158	2	Pillow Block Bearing 1-1/4"
3	6010024	2	Rear Axle Bearing Spacer, 1/8"
4	2900058	4	Flat Washer, 1/2" SAE
5	2900084	6	Lock Washer, 1/2" Split
6	2900139	4	Cap Screw, Hex Hd., 1/2-13 x 1-3/4"
7	6048134	2	Key, 1/4" Sq. x 2-1/4"
8	6011019	2	Wheel, 8" Rear
9	6010026	2	Wheel Mount Washer
10	2900031	4	Lock Washer, 5/16" Split
11	2900019	4	Cap Screw, Hex Hd., 5/16-18 x 3/4"
12	2900025	2	Cap Screw, Hex Hd., 1/2-13 x 1-1/4"

Blade Shaft Assembly #6011735



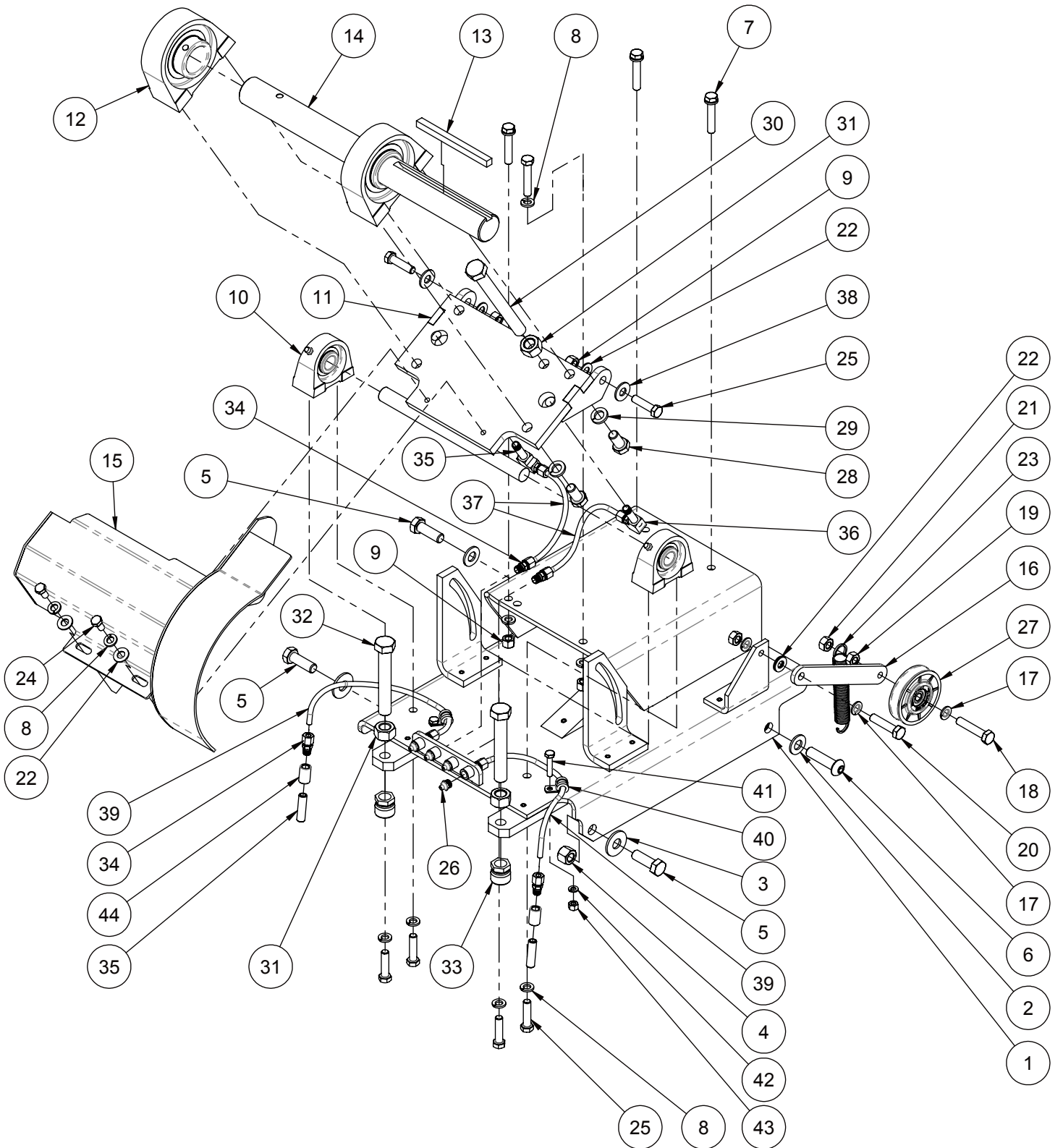
ITEM	PART NO.	QTY.	DESCRIPTION
1	6011002	1	Blade Shaft
2	6010040	2	Key, 1/4" Sq. x 15/16"
3	6011058	1	Key, 3/8" Sq. x 2-3/4"
4	2500151	2	Blade Shaft Bearing, 1-3/4"
5	2900709	2	Grease Fitting, 1/8" NPT x 2-5/8"
6	2900512	4	Cap Screw, Hex Hd., 5/8-11 x 1-1/4"
7	2900113	5	Lock Washer, 5/8" Split
8	2900002	5	Flat Washer, 5/8" SAE
9	2900418	2	Set Screw, Soc. Hd., 5/16-18 x 5/8"
10	6010255	2	Inner Flange 5"
11	6047907	1	Outer Flange 5" with Pin
12	2900130	1	Cap Screw, Hex Hd., 5/8-11 x 4" LH
13	6010765B	1	Flange Cover, 5" O.D.
14	2900711	1	Cap Screw, Flat Hd., 5/8-11 x 2"

6011388 FUEL TANK ASSEMBLY



ITEM	PART	QTY.	DESCRIPTION	ITEM	PART	QTY.	DESCRIPTION
1	2505531	1	Fuel Tank, 5.6 Gallon	11	2500205	1	Fuel Tank Grommet
2	6011083	2	Fuel Tank Mount Bar	12	2503294	1	Fuel Tank Cap, W/Gage
3	2900019	4	Cap Screw, Hex Hd., 5/16-18 x 3/4"	13	3200108	1	Ball Valve, 1/4" NPT
4	2900138	4	Cap Screw, Hex Hd., 5/16-18 x 1"	14	3200057	1	Elbow, 1/4" M. Pipe to 1/4" M. JIC
5	2900031	8	Lock Washer, 5/16" Split	15	3200091	1	Fitting, 1/4" F. JIC to 1/4" Push Lock
6	2900022	8	Flat Washer, 5/16" SAE	16	6010496	1	Fuel Hose, 1/4" x 20"
7	2501434	2	Hose Clamp, 5/8" x 3/4" Wide	17	3200062	1	Hose Clamp #4
8	3200206	1	Pipe Plug, 1/4" NPT	18	6011401	1	Frame Upright Weldment
9	2506716	1	Grommet	19	1801716	1	Decal, EPA EVAP Standard
10	2502484	1	Roll Over Vent, 1/4" Hose Barb				

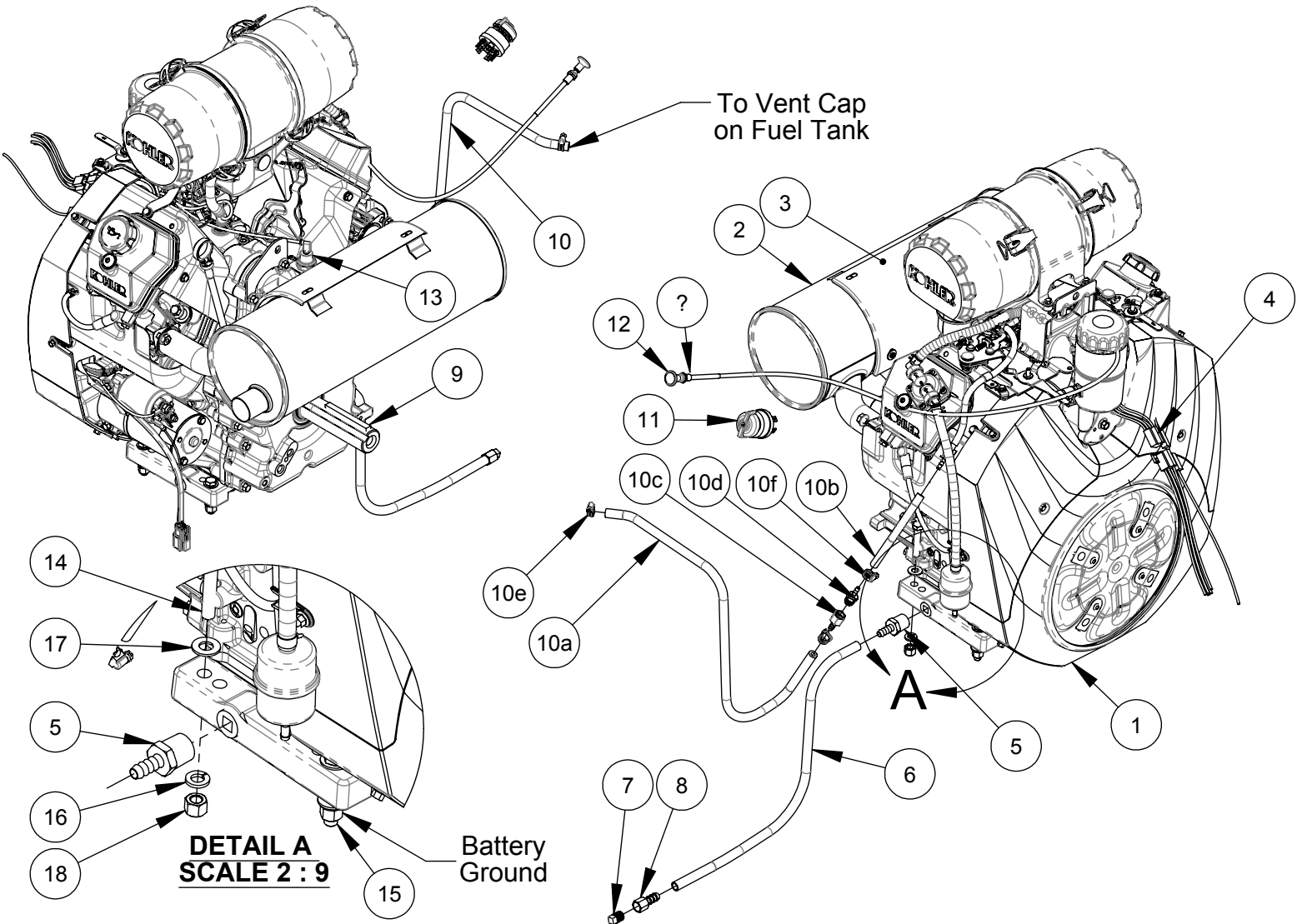
Engine Base Assembly 6011712



6011712 Parts List

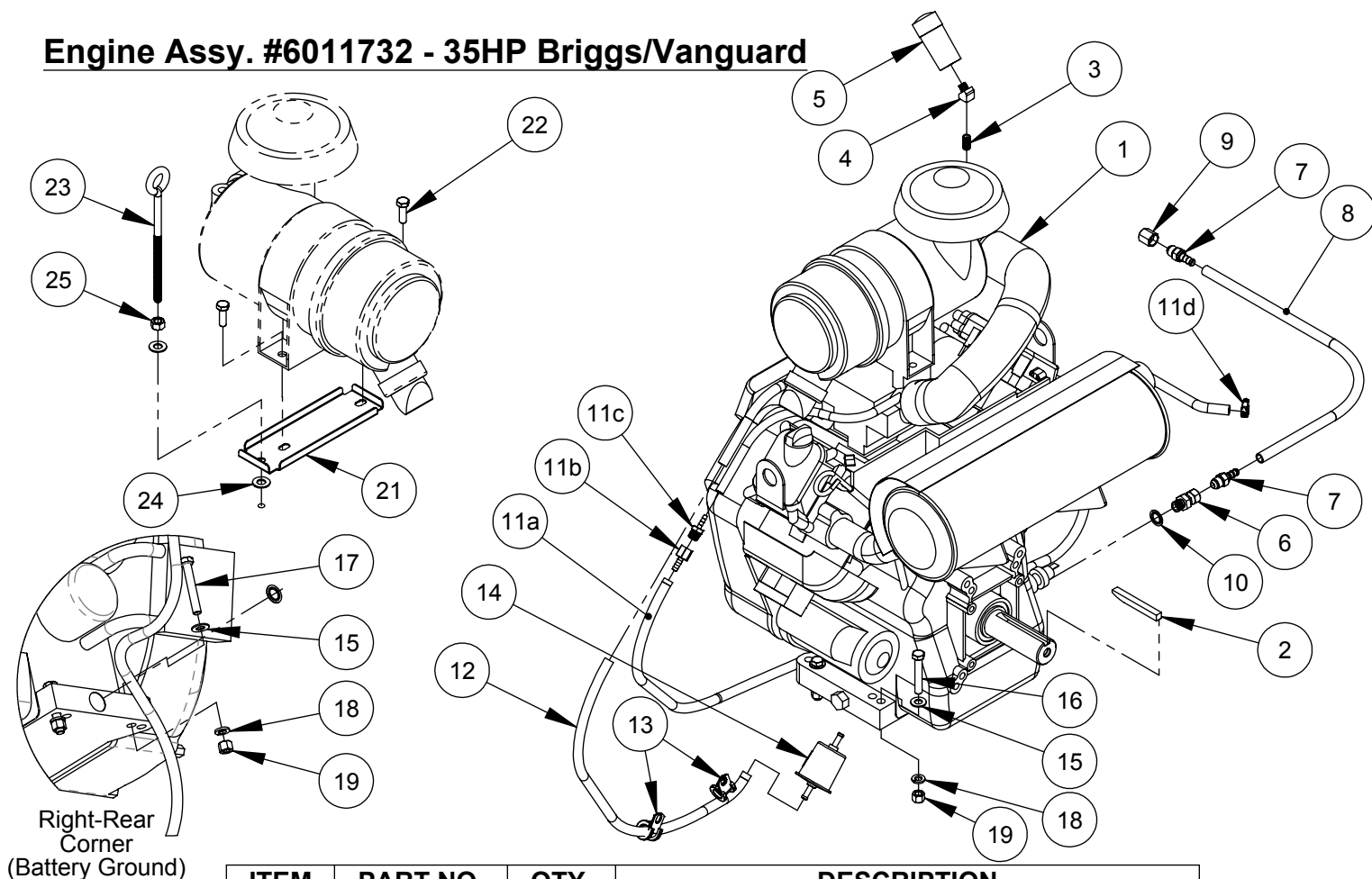
ITEM	PART NO.	QTY.	DESCRIPTION
1	6011707	1	Engine Base Weldment CC3500J
2	2900058	2	Flat Washer, 1/2" SAE
3	2900127	2	Flat Washer, 1/2" USS
4	2900026	4	Lock Nut, 1/2-13 Nylon
5	2900499	3	Cap Screw, Hex Hd., 1/2-13 x 1-1/2"
6	2900288	1	Cap Screw, Button Hd., 1/2-13 x 2"
7	2900060	4	Cap Screw, Hex Hd., 3/8-16 x 2"
8	2900006	14	Lock Washer, 3/8" Split
9	2900018	6	Lock Nut, 3/8-16 Nylon
10	2500159	2	Pillow Block Bearing, 3/4"
11	6011710	1	Pivot Plate, Jack Shaft CC3500J
12	2500731	2	Pillow Block Bearing 1-1/2"
13	6010034	1	Key, 3/8" Sq. x 5"
14	6011706	1	Jack Shaft, CC3500J
15	6011708	1	Belt Guard, Jack Shaft CC3500J
16	6048085	1	Idler Arm
17	2900321	3	Lock Washer, M10 Split
18	2900337	1	Cap Screw, Hex Hd., M10-1.5 x 50mm, Full Thd.
19	2900325	2	Hex Nut, M10
20	2900317	1	Cap Screw, Hex Hd., M10 x 45mm
21	2900304	1	Lock Nut, M10 Nylon
22	2900014	6	Flat Washer, 3/8" SAE
23	2500070	1	Spring, Extension, 3/4 Dia x 4
24	2900883	2	Cap Screw, Hex Hd., 5/16-18 x 5/8"
25	2900029	6	Cap Screw, Hex Hd., 3/8-16 x 1-1/2"
26	2900062	4	Grease Fitting, 1/8" NPT
27	2500074	1	Idler Pulley 3"
28	2900086	4	Cap Screw, Hex Hd., 1/2-13 x 1"
29	2900084	4	Lock Washer, 1/2" Split
30	2900104	1	Tap Bolt, Hex Hd., 5/8-11 x 6"
31	2900112	3	Hex Nut, 5/8-11
32	2900492	2	Tap Bolt, Hex Hd., 5/8-11 x 4"
33	2900446	2	Swivel Pad Nut, 5/8-11
34	3201276	8	1/4" Compression Tube Fitting
35	3201462	4	Nipple, 1/8" NPT X 1-1/2"
36	3200154	2	Pipe Elbow, 1/8" NPT Female
37	6011715	2	Nylon Grease Tube, 1/4" x 7"
38	2900473	2	Flat Washer, 3/8" USS
39	6011748	2	Nylon Grease Tube, 1/4" x 14"
40	2901346	2	1/4" Cable/Hose Loop Clamp
41	2900052	2	Cap Screw, Hex Hd., 1/4-20 x 1-1/4"
42	2900024	2	Lock Washer, 1/4" Split
43	2900010	2	Lock Nut, 1/4-20 Nylon
44	3200388	2	1/8" Pipe Coupling

Engine Assembly #6011714 - 40HP Kohler



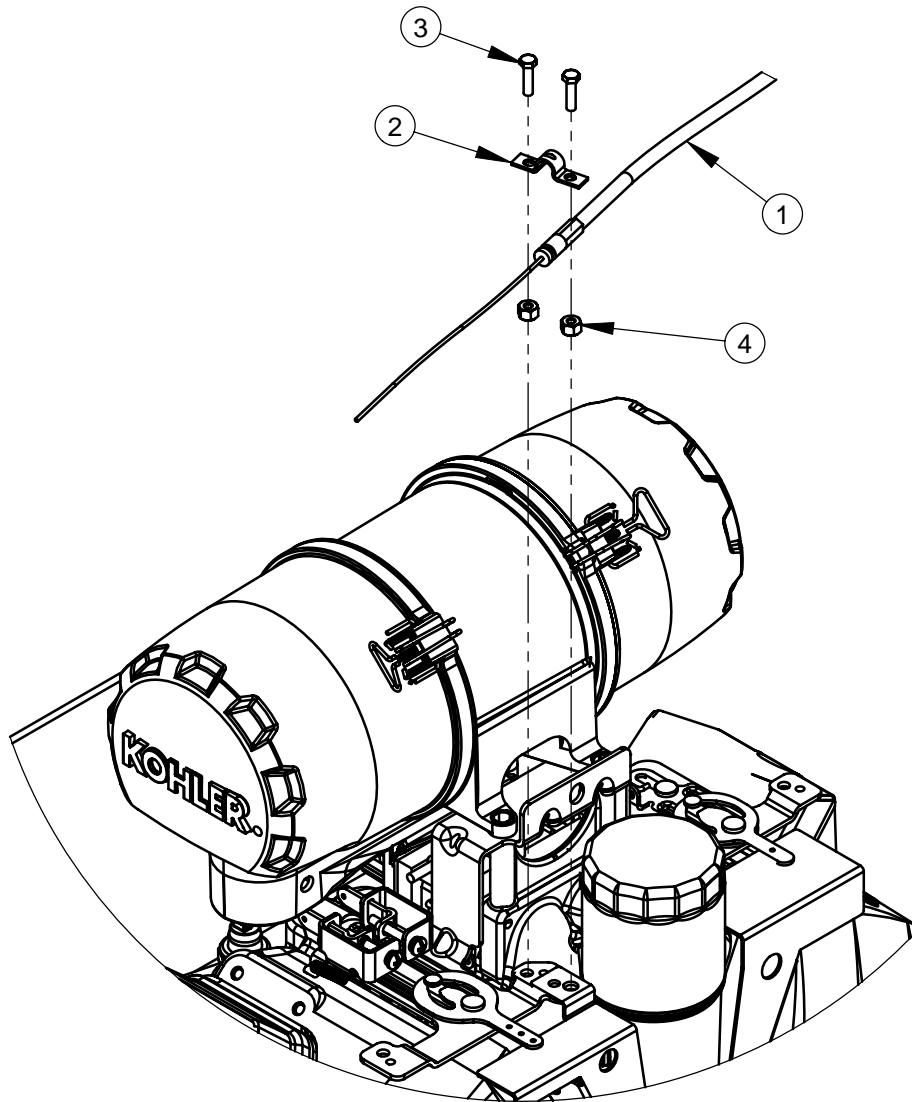
ITEM	PART NO.	QTY.	DESCRIPTION
1	2600606	1	Kohler Command 40HP Engine
2	2705825	1	Muffler, Kohler 40HP Engine
3	2705826	1	Heat Shield, Kohler 40HP Engine
4	2705828	1	Engine Wiring Harness
5	3200234	1	Fitting, 1/2" MPT to 3/8" Hose Barb
6	6011736	1	Oil Drain Hose, 3/8" I.D. x 22"
7	3200206	1	Pipe Plug, 1/4" NPT
8	3200031	1	Fitting, 1/4" F. Pipe to 3/8" Hose Barb
9	6011027	1	Key, 3/8" Sq. x 3-1/4" Bevel End
10	6012195	1	Vent Hose Assy., 1/4" - 3/16"
10a	6012195A	1	1/4 Hose
10b	6012195B	1	3/16 Hose
10c	3200231	1	Fitting, 1/4 FPT to 1/4 Hose Barb
10d	3200210	1	Hose Barb, 1/4" M. Pipe to 3/16" Hose
10e	3200390	1	Hose Clamp #6
10f	3200062	2	Hose Clamp #4
11	2705827	1	Ignition Switch, Kohler, 40HP
12	2500186	1	Choke Cable
13	2706087	1	Oil Pressure Sender
14	2900060	3	Cap Screw, Hex Hd., 3/8-16 x 2"
15	2900079	1	Cap Screw, Hex Hd., 3/8-16 x 2-1/4"
16	2900006	4	Lock Washer, 3/8" Split
17	2900014	5	Flat Washer, 3/8" SAE
18	2900018	4	Lock Nut, 3/8-16 Nylon

Engine Assy. #6011732 - 35HP Briggs/Vanguard



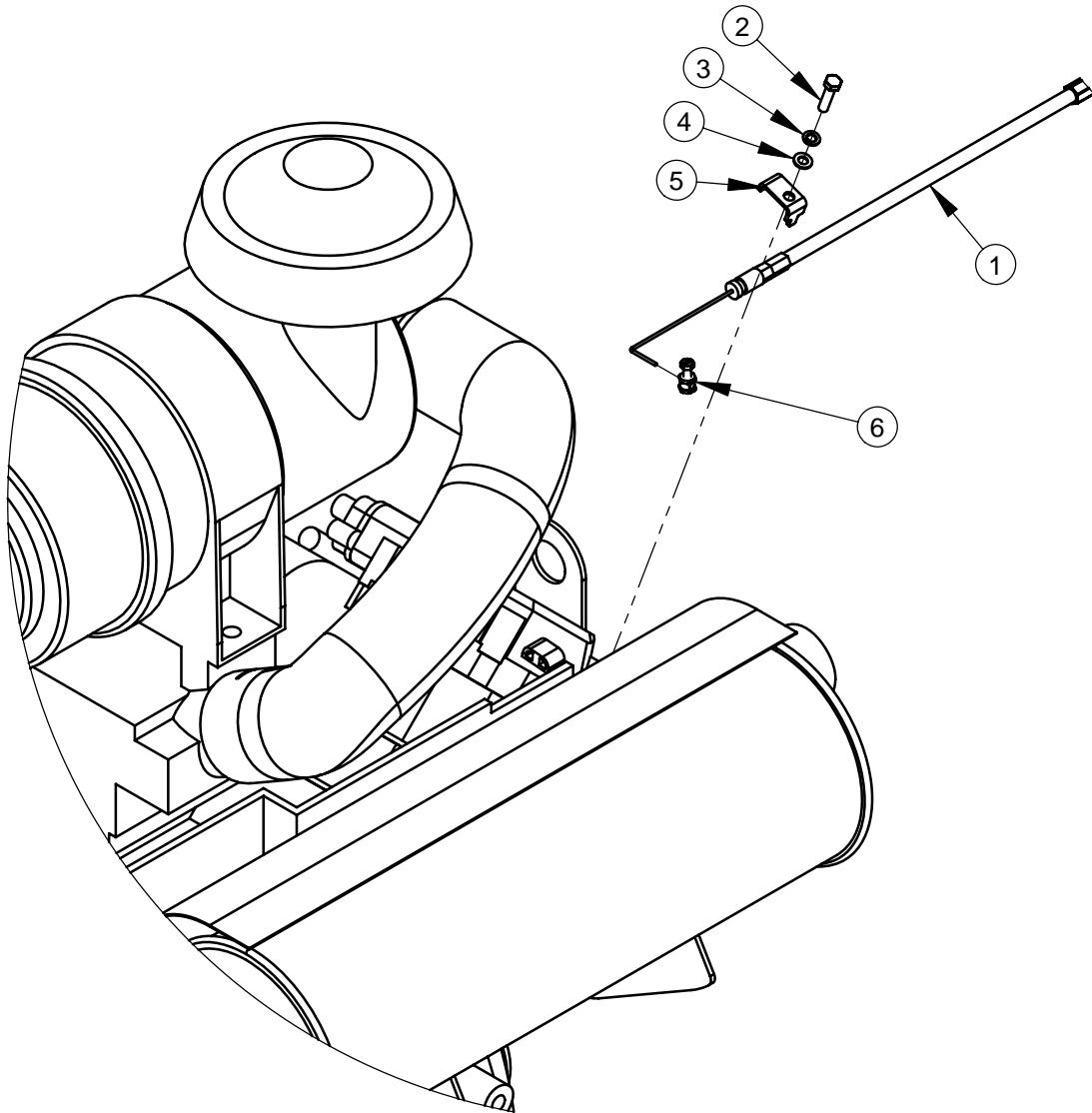
ITEM	PART NO.	QTY.	DESCRIPTION
1	2600635	1	Briggs Vanguard Engine, 35 HP
2	6011027	1	Key, 3/8" Sq. x 3-1/4" Bevel End
3	3200117	1	Close Nipple, 1/8" NPT
4	3200099	1	Street Elbow, 1/8" NPT x 45 Deg.
5	2500423	1	Restriction Indicator
6	3201890	1	Fitting, M14 x 1.5 O-Ring to 3/8" F. JIC Swivel
7	3201891	2	Fitting, 3/8" M. JIC to 3/8" Hose Barb
8	6011736	1	Oil Drain Hose, 3/8" I.D. x 22"
9	3201496	1	Cap, 3/8" JIC
10	2901319	1	Bonded Sealing Washer, M14
11	6012203	1	Vent Hose Assy., 1/4 - 3/16" Barb
11a	6012203A	1	1/4 Hose
11b	3200231	1	Fitting, 1/4 FPT to 1/4 Hose Barb
11c	3200210	1	Hose Barb, 1/4" M. Pipe to 3/16" Hose
11d	3200390	1	Hose Clamp #6
12	6011749	1	Fuel Line, 33" Briggs 35HP
13	2501434	2	Hose Clamp, 5/8" x 3/4" Wide
14	2500201	1	Filter, Gasoline Fuel (Replacement Part)
15	2900014	4	Flat Washer, 3/8" SAE
16	2900079	3	Cap Screw, Hex Hd., 3/8-16 x 2-1/4"
17	2900596	1	Cap Screw, Hex Hd., 3/8-16 x 2-1/2"
18	2900006	4	Lock Washer, 3/8" Split
19	2900018	4	Lock Nut, 3/8-16 Nylon
20	6049053	1	Remote Wire Harness Extension (Not Shown)
ITEM	PART NO.	QTY.	DESCRIPTION
21	6043610	1	Eyebolt Mount, 35 HP Briggs Vanguard
22	2900360	2	Cap Screw, Hex Hd., M8 x 25mm
23	2900602	1	Eye Bolt, 3/8-16 x 6"
24	2900014	2	Flat Washer, 3/8" SAE
25	2900033	1	Hex Nut, 3/8-16

Throttle Assembly, 40HP Kohler
#6011739



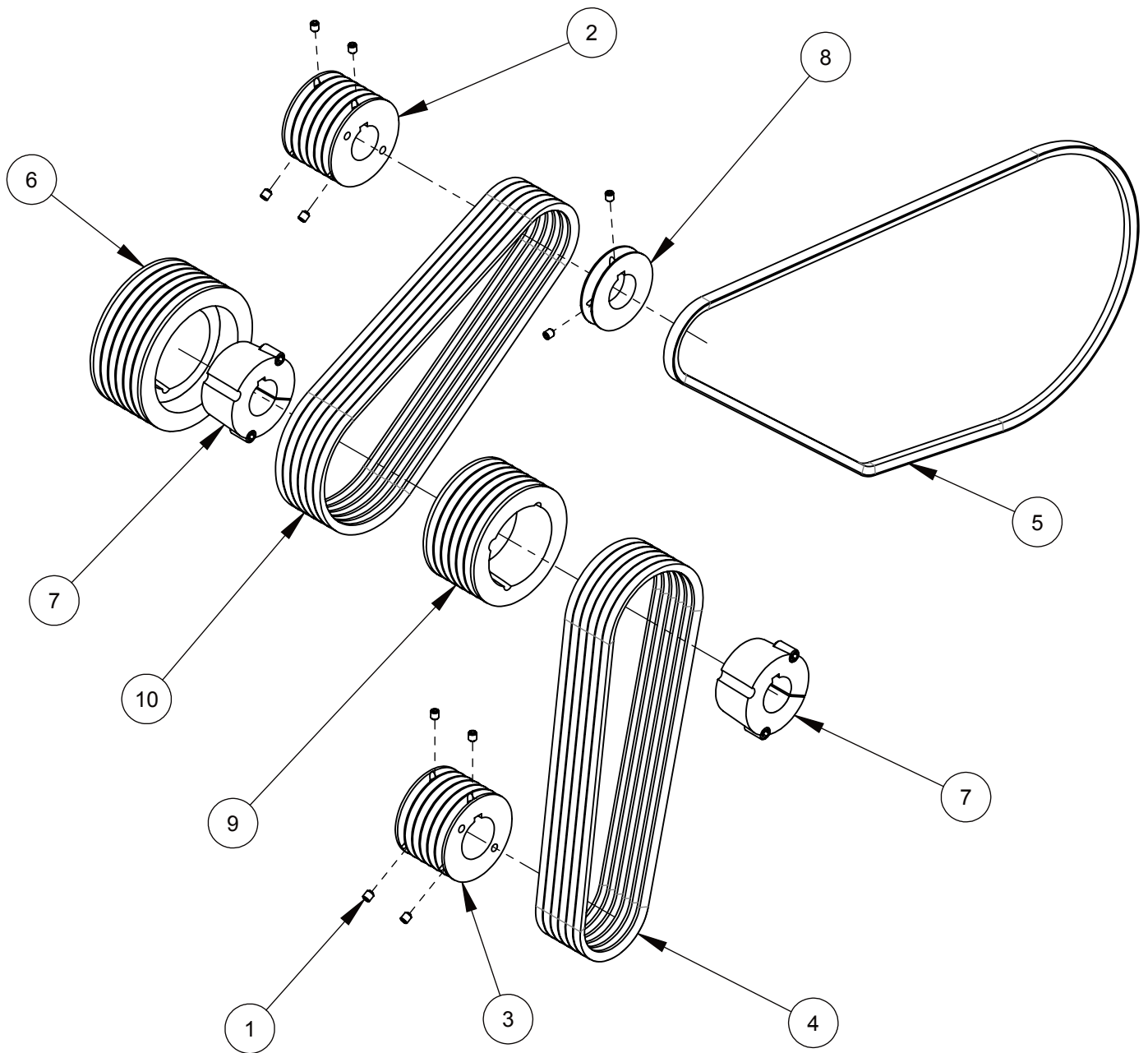
ITEM	PART NO.	QTY.	DESCRIPTION
1	2500376	1	Vernier Throttle Cable, Kohler, 40HP
2	2500940	1	Throttle Cable Clamp
3	2900015	2	Machine Screw, Hex Hd., #10-24 x 3/4"
4	2900017	2	Lock Nut, #10-24 Nylon

Throttle Assembly, 35HP Briggs-Vanguard
#6011738



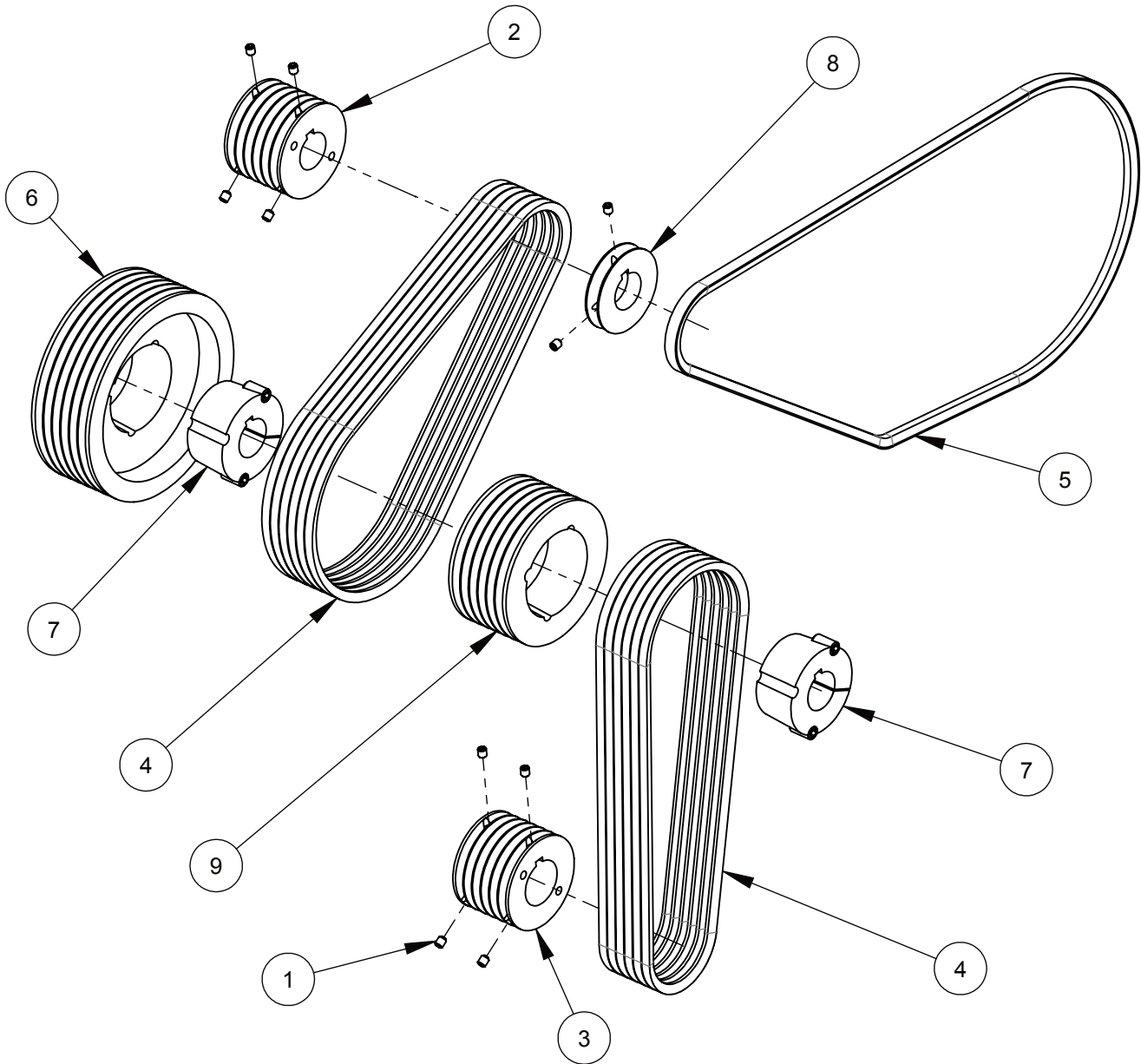
ITEM	PART NO.	QTY.	DESCRIPTION
1	2503833	1	Throttle Controller
2	2900309	1	Cap Screw, Hex Hd., M5 x 20mm
3	2900767	1	Lock Washer, M5 Split
4	2900926	1	Washer, M5
5	6011340	1	Cable Clamp, Throttle
6	2501189	1	Wire Stop w/ #8-32 x 3/8" Hex Hd., Cap Screw

14" Belt Drive Assembly #6011721



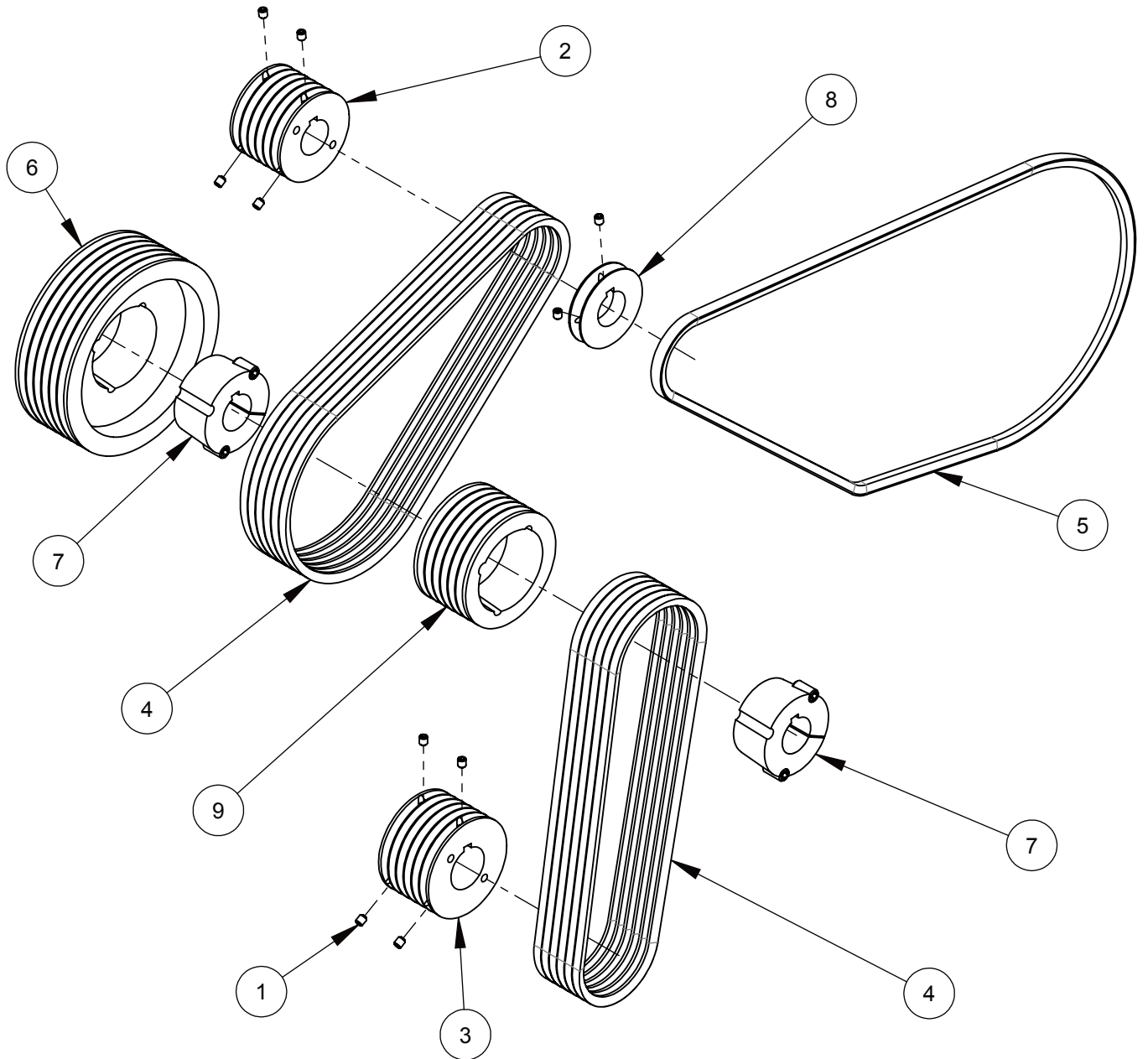
ITEM	PART NO.	QTY.	DESCRIPTION
1	2900142	10	Set Screw, Soc. Hd., 5/16-18 x 3/8"
2	6011008	1	Sheave, 3.65" x 6 Groove x 1-7/16" Bore
3	6011009	1	Sheave, 3.65" x 6 Groove x 1-3/4" Bore
4	2500792	6	V-Belt, 3VX400
5	2501872	1	V-Belt, 4L600W
6	2506462	1	Sheave, 3V x 6.0" x 6 Groove Taper Style
7	2506455	2	Taper Bushing, 1-1/2" w/Setscrews
8	6011458	1	Pulley, Accessory Drive 3.25"
9	2506452	1	Sheave, 3V x 5.0" x 6 Groove Taper Style
10	2503875	6	V-Belt, 3VX366

20" Belt Drive Assembly #6011722



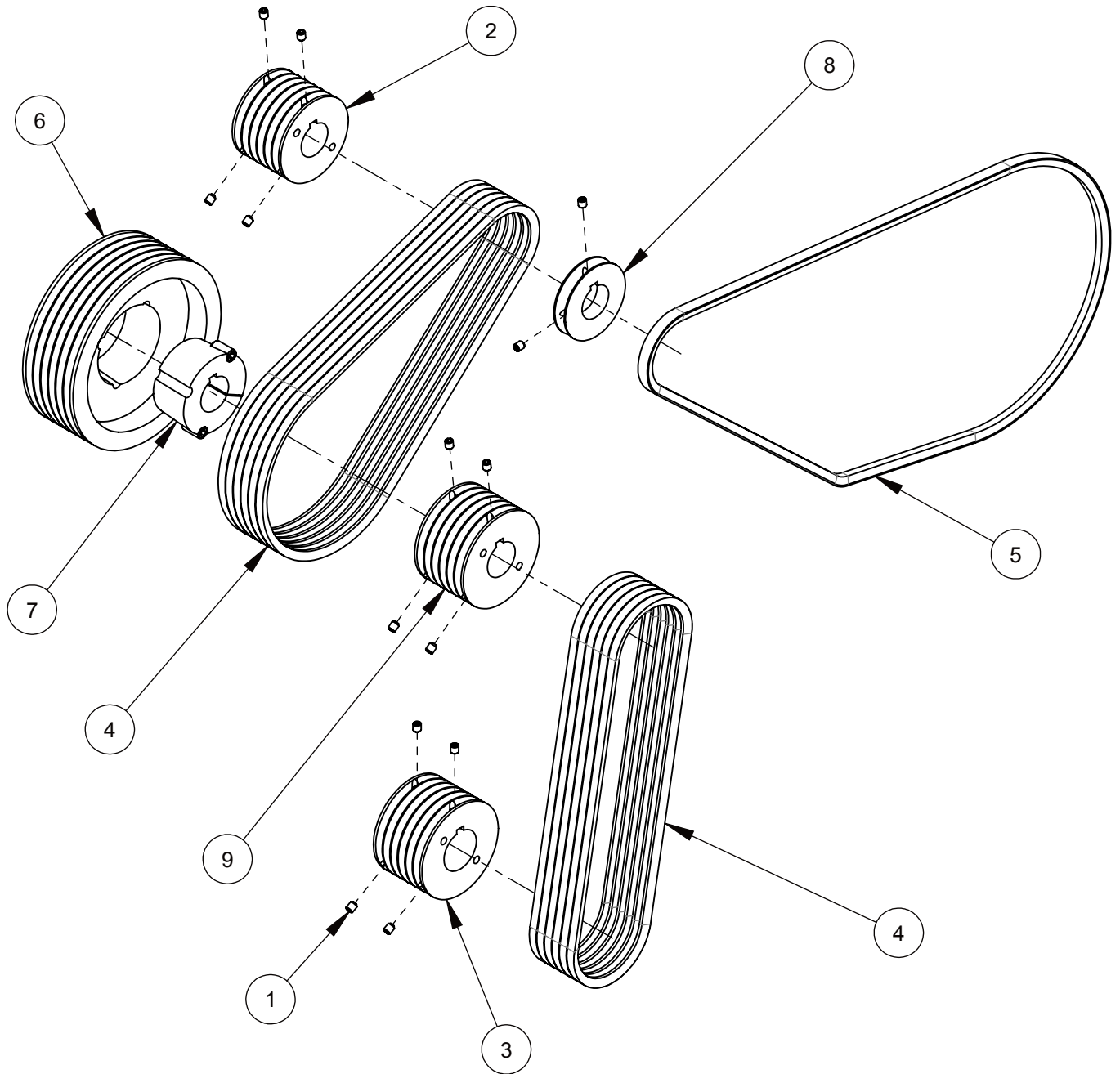
ITEM	PART NO.	QTY.	DESCRIPTION
1	2900142	10	Set Screw, Soc. Hd., 5/16-18 x 3/8"
2	6011008	1	Sheave, 3.65" x 6 Groove x 1-7/16" Bore
3	6011009	1	Sheave, 3.65" x 6 Groove x 1-3/4" Bore
4	2500792	12	V-Belt, 3VX400
5	2501872	1	V-Belt, 4L600W
6	2506454	1	Sheave, 3V x 8.0" x 6 Groove Taper Style
7	2506455	2	Taper Bushing, 1-1/2" w/Setscrews
8	6011458	1	Pulley, Accessory Drive 3.25"
9	2503926	1	Sheave, 3V x 5.6" x 6 Groove Taper Style

26" Belt Drive Assembly #6011723



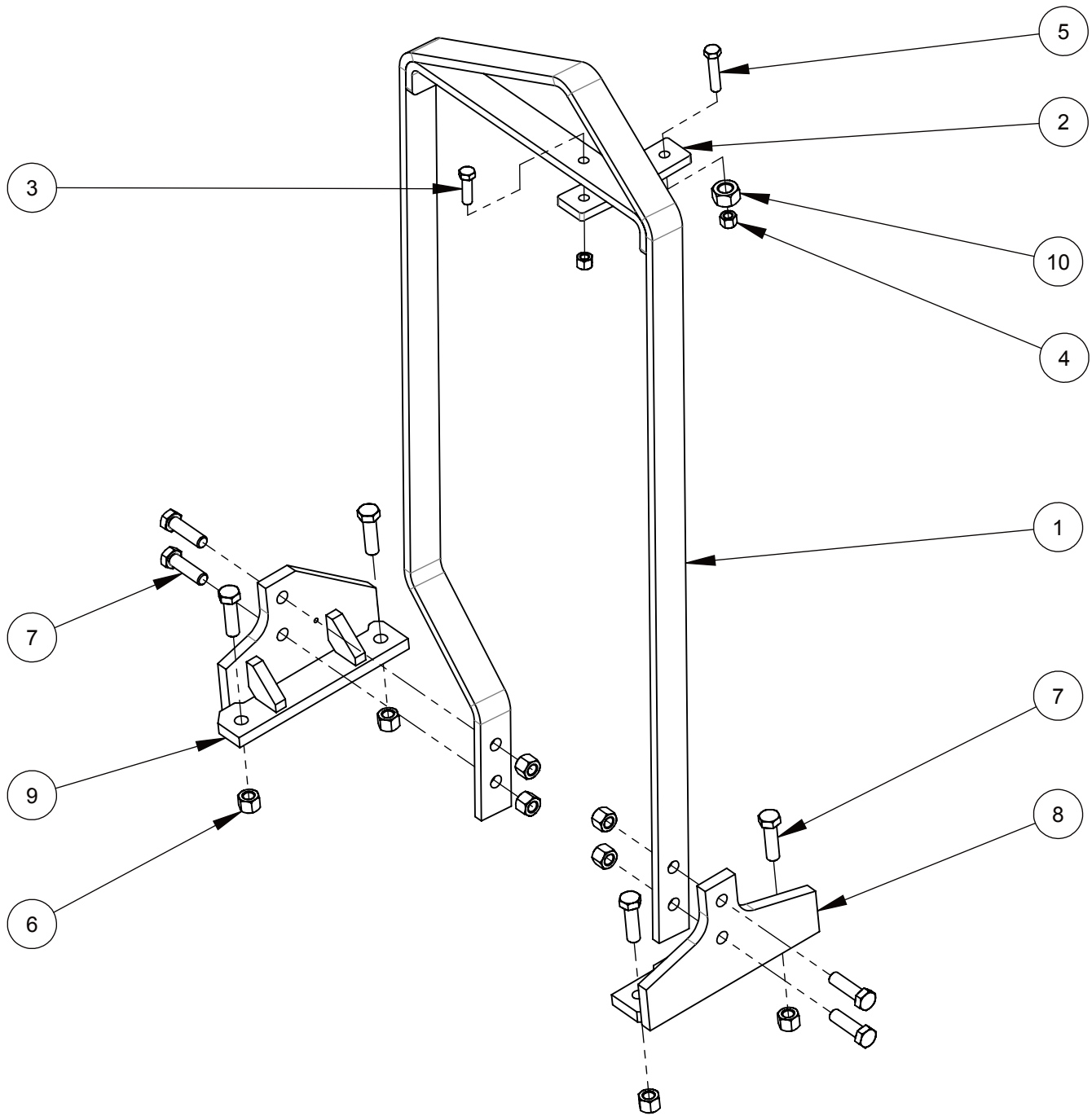
ITEM	PART NO.	QTY.	DESCRIPTION
1	2900142	10	Set Screw, Soc. Hd., 5/16-18 x 3/8"
2	6011008	1	Sheave, 3.65" x 6 Groove x 1-7/16" Bore
3	6011010	1	Sheave, 4.12" x 6 Groove x 1-3/4" Bore
4	2500792	12	V-Belt, 3VX400
5	2501872	1	V-Belt, 4L600W
6	2506454	1	Sheave, 3V x 8.0" x 6 Groove Taper Style
7	2506455	2	Taper Bushing, 1-1/2" w/Setscrews
8	6011458	1	Pulley, Accessory Drive 3.25"
9	2500367	1	Sheave, 4.75" x 6 Groove Taper Style

30" Belt Drive Assembly #6011724



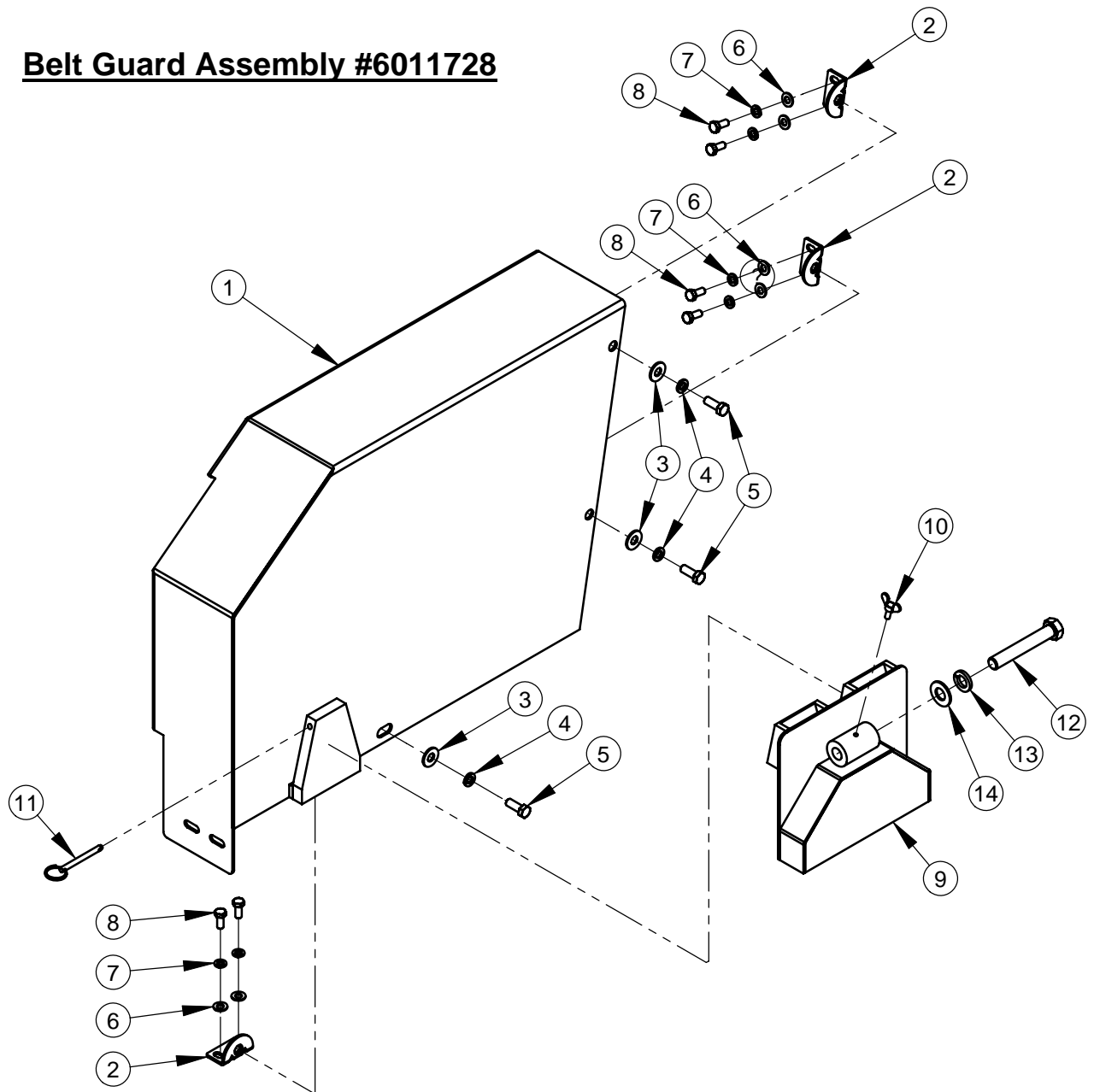
ITEM	PART NO.	QTY.	DESCRIPTION
1	2900142	14	Set Screw, Soc. Hd., 5/16-18 x 3/8"
2	6011008	1	Sheave, 3.65" x 6 Groove x 1-7/16" Bore
3	6011010	1	Sheave, 4.12" x 6 Groove x 1-3/4" Bore
4	2500792	12	V-Belt, 3VX400
5	2501872	1	V-Belt, 4L600W
6	2506454	1	Sheave, 3V x 8.0" x 6 Groove Taper Style
7	2506455	1	Taper Bushing, 1-1/2" w/Setscrews
8	6011458	1	Pulley, Accessory Drive 3.25"
9	6012190	1	Sheave, 4.12" x 6 Groove x 1-1/2" Bore

Frame Lift Assembly 6011731



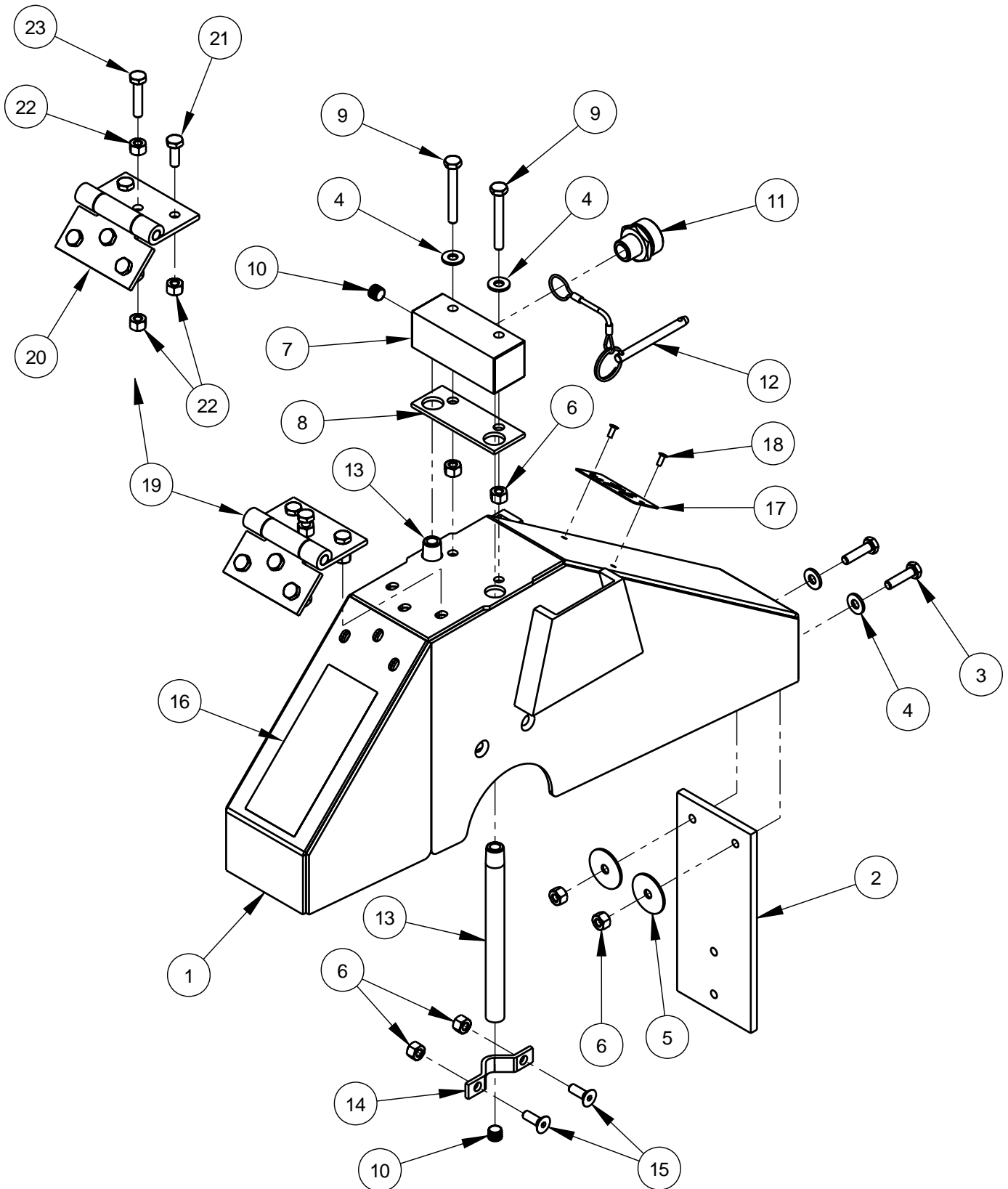
ITEM	PART NO.	QTY.	DESCRIPTION
1	6011729	1	Frame Lift, CC3500J
2	6011730	1	Frame Lift Brace
3	2900013	1	Cap Screw, Hex Hd., 3/8-16 x 1-1/4"
4	2900018	2	Lock Nut, 3/8-16 Nylon
5	2900047	1	Cap Screw, Hex Hd., 3/8-16 x 1-3/4"
6	2900026	8	Lock Nut, 1/2-13 Nylon
7	2900139	8	Cap Screw, Hex Hd., 1/2-13 x 1-3/4"
8	6011726	1	Frame Lift Mount - Left (Weldment)
9	6011727	1	Frame Lift Mount - Right (Weldment)
10	2900112	1	Hex Nut, 5/8-11

Belt Guard Assembly #6011728



ITEM	PART NO.	QTY.	DESCRIPTION
1	6011709	1	Guard, Engine Belt
2	6010558	3	Guard Mounting Tab, 3/8-16
3	2900473	3	Flat Washer, 3/8" USS
4	2900006	3	Lock Washer, 3/8" Split
5	2900005	3	Cap Screw, Hex Hd., 3/8-16 x 1"
6	2900022	6	Flat Washer, 5/16" SAE
7	2900031	6	Lock Washer, 5/16" Split
8	2900019	6	Cap Screw, Hex Hd., 5/16-18 x 3/4"
9	6010555	1	Shaft/Flange Guard (Narrow)
10	2900307	1	Wing Screw, M6 x 16mm
11	2900156	1	Lock Pin with Ring
12	2900146	1	Cap Screw, Hex Hd., 5/8-11 x 4"
13	2900113	1	Lock Washer, 5/8" Split
14	2900002	1	Flat Washer, 5/8" SAE

14" Blade Guard Assembly #6010600

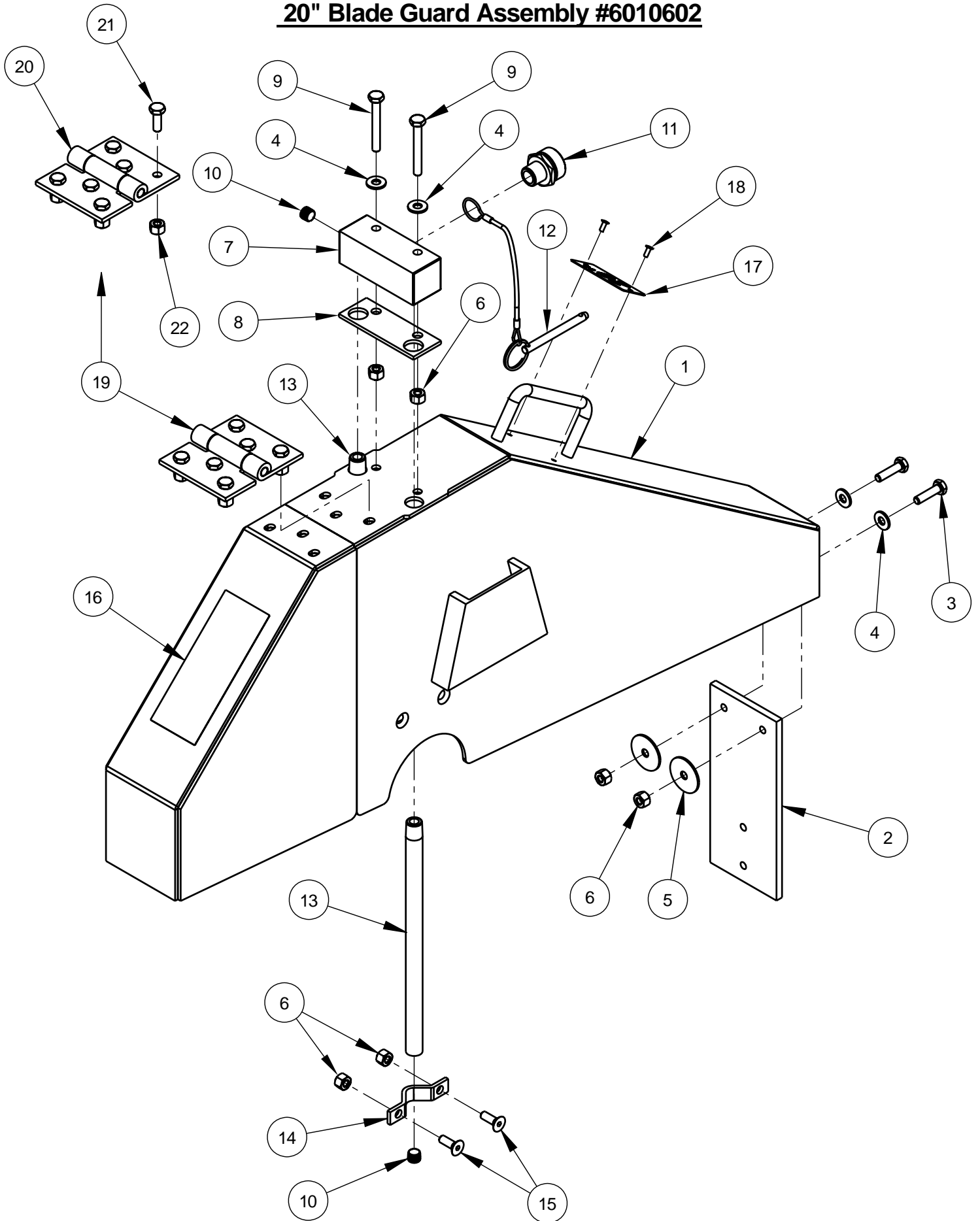


14" Blade Guard Assembly #6010600

ITEM	PART NO.	QTY.	DESCRIPTION
1	6010601	1	14" Blade Guard Front & Rear Only
2	6010081	1	Splash Flap
3	2900008	2	Cap Screw, Hex Hd., 1/4-20 x 1"
4	2900009	4	Flat Washer, 1/4" SAE
5	2900083	2	Fender Washer, 1/4" x 1-1/4"
6	2900010	8	Lock Nut, 1/4-20 Nylon
7	6010261	1	Water Manifold
8	2500830	1	Water Manifold Gasket
9	2900294	2	Cap Screw, Hex Hd., 1/4-20 x 2"
10	3200001	3	Plug, 1/8" NPT
11	3200002	1	Fitting, 3/8" M. Pipe to 3/4" M. Garden
12	2900278	1	Lanyard with Lock Pin
13	6048283	2	Water Tube for 14" Guard
14	6048155	2	Water Tube Clamp
15	2900020	4	Cap Screw, Flat Hd., 1/4-20 x 3/4"
16	1800001	1	Warning Label
17	1801369A	1	Blade Guard Size Tag
18	2900287	2	Rivet, 1/8" Dia.
19	6048150	1	Hinge Assembly for 14" Guard

ITEM	PART NO.	QTY.	DESCRIPTION
20	2500270	1	Blade Guard Hinge
21	2900144	5	Cap Screw, Hex Hd., 1/4-20 x 3/4"
22	2900010	7	Lock Nut, 1/4-20 Nylon
23	2900052	1	Cap Screw, Hex Hd., 1/4-20 x 1-1/4"

20" Blade Guard Assembly #6010602

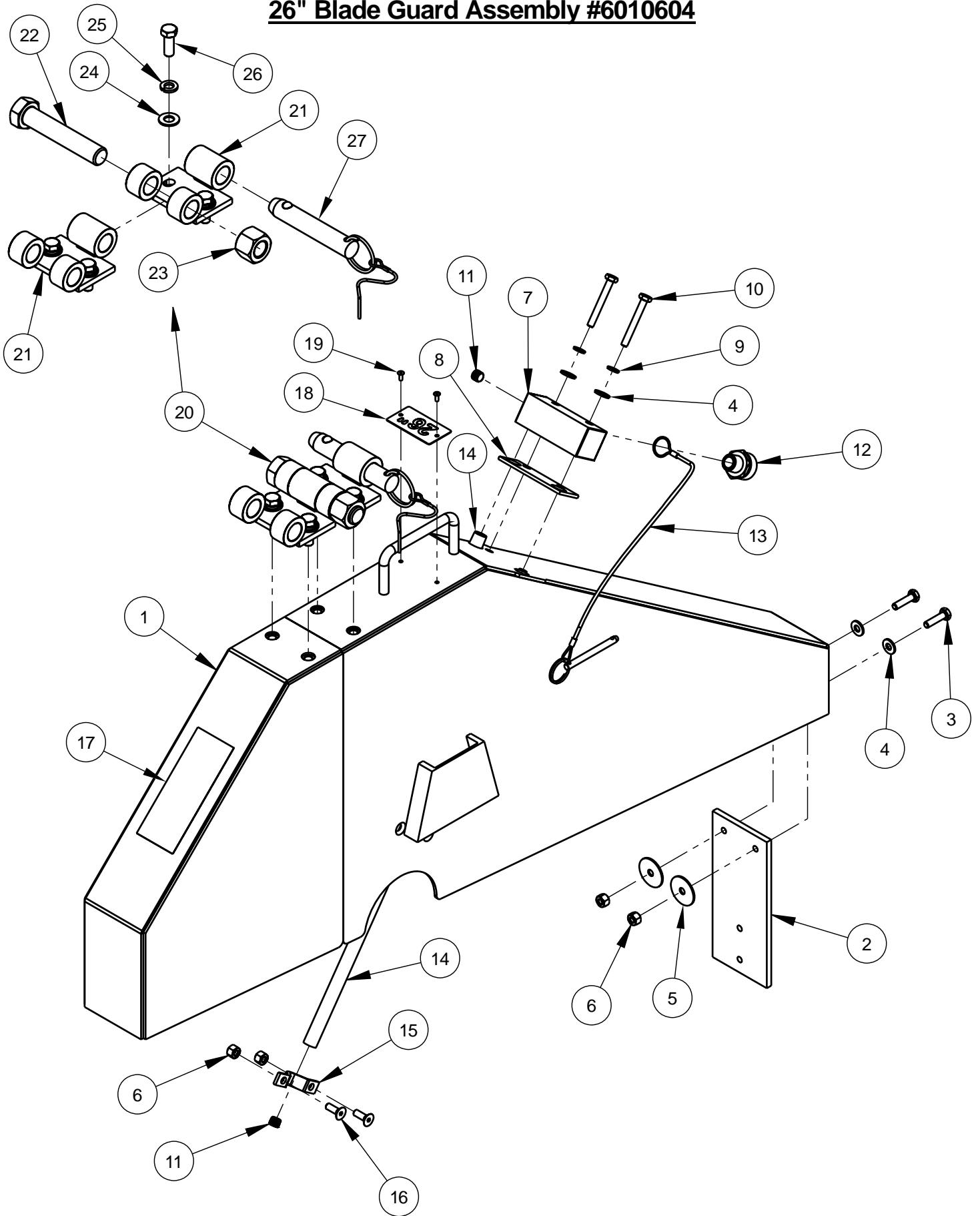


20" Blade Guard Assembly #6010602

ITEM	PART NO.	QTY.	DESCRIPTION
1	6010603	1	20" Blade Guard Front & Rear Only
2	6010081	1	Splash Flap
3	2900008	2	Cap Screw, Hex Hd., 1/4-20 x 1"
4	2900009	4	Flat Washer, 1/4" SAE
5	2900083	2	Fender Washer, 1/4" x 1-1/4"
6	2900010	8	Lock Nut, 1/4-20 Nylon
7	6010261	1	Water Manifold
8	2500830	1	Water Manifold Gasket
9	2900294	2	Cap Screw, Hex Hd., 1/4-20 x 2"
10	3200001	3	Plug, 1/8" NPT
11	3200002	1	Fitting, 3/8" M. Pipe to 3/4" M. Garden
12	2900278	1	Lanyard with Lock Pin
13	6010085	2	Water Tube for 20" Guard
14	6048155	2	Water Tube Clamp
15	2900020	4	Cap Screw, Flat Hd., 1/4-20 x 3/4"
16	1800001	1	Warning Label
17	1801369D	1	Blade Guard Size Tag
18	2900287	2	Rivet, 1/8" Dia.
19	6010251	1	Hinge Assembly for 20" Guard

ITEM	PART NO.	QTY.	DESCRIPTION
20	2500270	1	Blade Guard Hinge
21	2900144	6	Cap Screw, Hex Hd., 1/4-20 x 3/4"
22	2900010	6	Lock Nut, 1/4-20 Nylon

26" Blade Guard Assembly #6010604

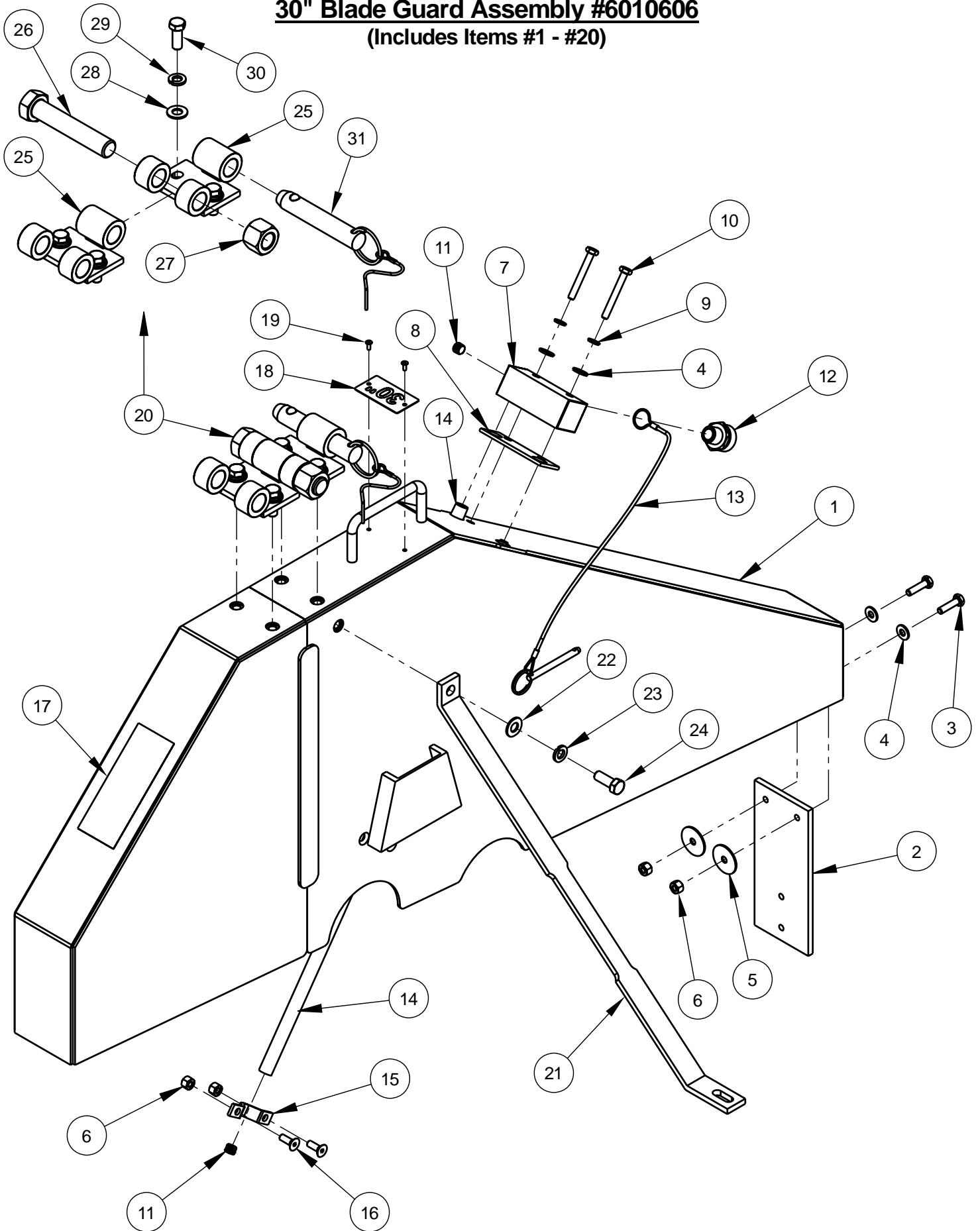


26" Blade Guard Assembly #6010604

ITEM	PART NO.	QTY.	DESCRIPTION
1	6010605	1	26" Blade Guard Front & Rear Only
2	6010081	1	Splash Flap
3	2900008	2	Cap Screw, Hex Hd., 1/4-20 x 1"
4	2900009	4	Flat Washer, 1/4" SAE
5	2900083	2	Fender Washer, 1/4" x 1-1/4"
6	2900010	6	Lock Nut, 1/4-20 Nylon
7	6010261	1	Water Manifold
8	2500830	1	Water Manifold Gasket
9	2900024	2	Lock Washer, 1/4" Split
10	2900294	2	Cap Screw, Hex Hd., 1/4-20 x 2"
11	3200001	3	Plug, 1/8" NPT
12	3200002	1	Fitting, 3/8" M. Pipe to 3/4" M. Garden
13	2900279	1	Lanyard with Lock Pin
14	6010086	2	Water Tube for 26" Guard
15	6048155	2	Water Tube Clamp
16	2900020	4	Cap Screw, Flat Hd., 1/4-20 x 3/4"
17	1800001	1	Warning Label
18	1801369F	1	Blade Guard Size Tag
19	2900287	2	Rivet, 1/8" Dia.
20	6010872	1	Universal Hinge Assembly

ITEM	PART NO.	QTY	DESCRIPTION
21	6010871	2	Hinge Weldment, Universal
22	2900479	1	Cap Screw, Hex Hd., 3/4-10 x 4"
23	2900467	1	Lock Nut, 3/4-10 Nylon
24	2900014	4	Flat Washer, 3/8" SAE
25	2900006	4	Lock Washer, 3/8" Split
26	2900005	4	Cap Screw, Hex Hd., 3/8-16 x 1"
27	2503824	1	Detent Pin, 3/4" x 3" Grip

30" Blade Guard Assembly #6010606
(Includes Items #1 - #20)

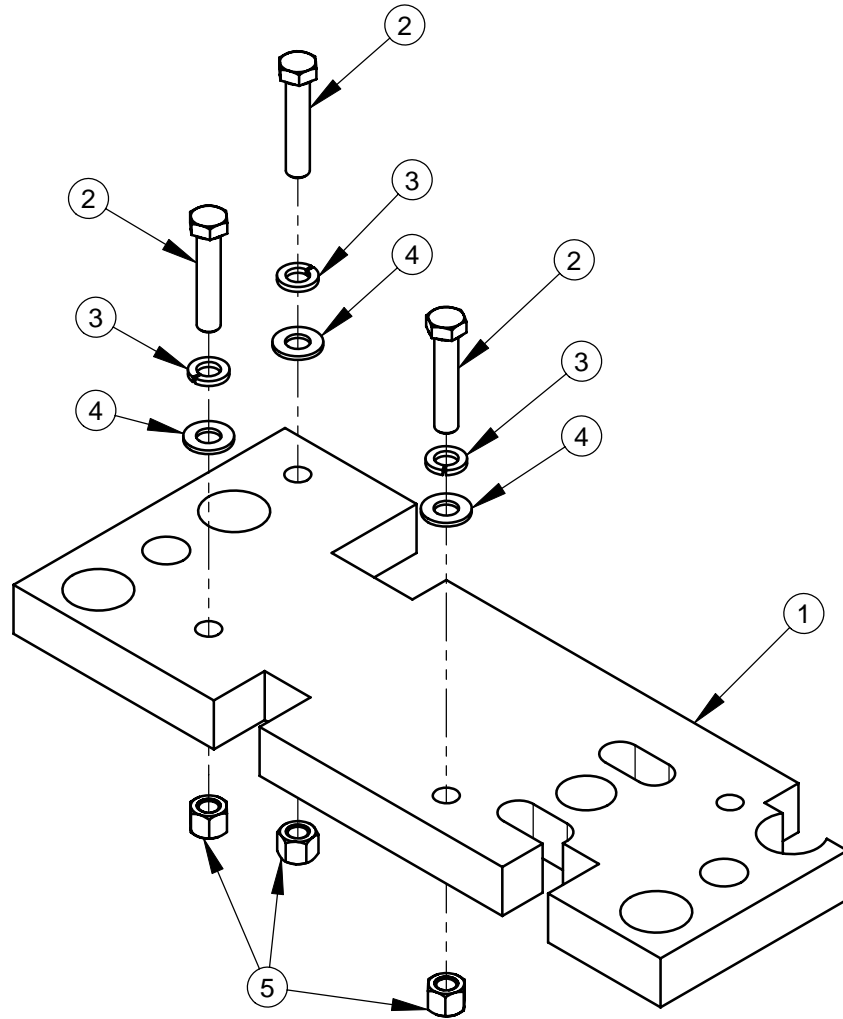


30" Blade Guard Assembly #6010606
(Includes Items #1 - #20)

ITEM	PART NO.	QTY.	DESCRIPTION
1	6010607	1	30" Blade Guard Front & Rear Only
2	6010081	1	Splash Flap
3	2900008	2	Cap Screw, Hex Hd., 1/4-20 x 1"
4	2900009	4	Flat Washer, 1/4" SAE
5	2900083	2	Fender Washer, 1/4" x 1-1/4"
6	2900010	6	Lock Nut, 1/4-20 Nylon
7	6010261	1	Water Manifold
8	2500830	1	Water Manifold Gasket
9	2900024	2	Lock Washer, 1/4" Split
10	2900294	2	Cap Screw, Hex Hd., 1/4-20 x 2"
11	3200001	3	Plug, 1/8" NPT
12	3200002	1	Fitting, 3/8" M. Pipe to 3/4" M. Garden
13	2900279	1	Lanyard with Lock Pin
14	6010087	2	Water Tube for 30" Guard
15	6048155	2	Water Tube Clamp
16	2900020	4	Cap Screw, Flat Hd., 1/4-20 x 3/4"
17	1800001	1	Warning Label
18	1801369G	1	Blade Guard Size Tag
19	2900287	2	Rivet, 1/8" Dia.
20	6010872	1	Universal Hinge Assembly
21	6010511	1	Blade Guard Brace
22	2900014	1	Flat Washer, 3/8" SAE
23	2900006	1	Lock Washer, 3/8" Split
24	2900005	1	Cap Screw, Hex Hd., 3/8-16 x 1"

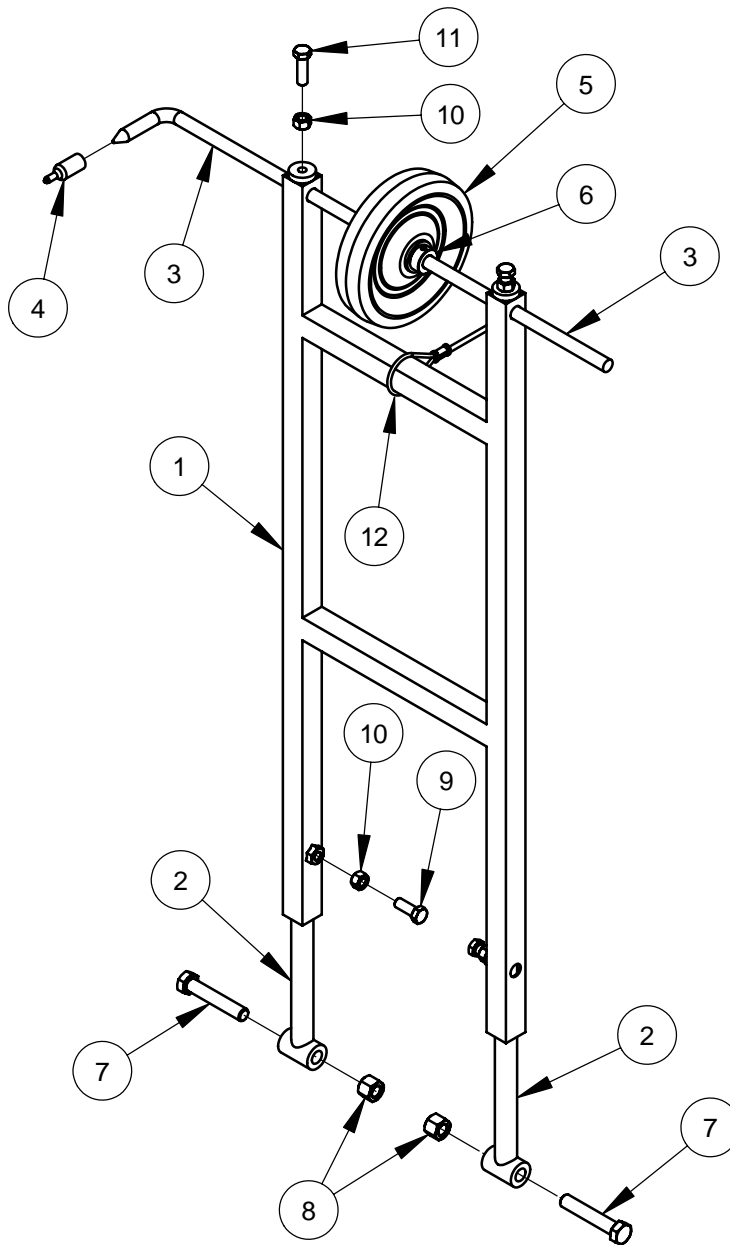
ITEM	PART NO.	QTY	DESCRIPTION
25	6010871	2	Hinge Weldment, Universal
26	2900479	1	Cap Screw, Hex Hd., 3/4-10 x 4"
27	2900467	1	Lock Nut, 3/4-10 Nylon
28	2900014	4	Flat Washer, 3/8" SAE
29	2900006	4	Lock Washer, 3/8" Split
30	2900005	4	Cap Screw, Hex Hd., 3/8-16 x 1"
31	2503824	1	Detent Pin, 3/4" x 3" Grip

Blade Shaft Weight Assembly #6011720



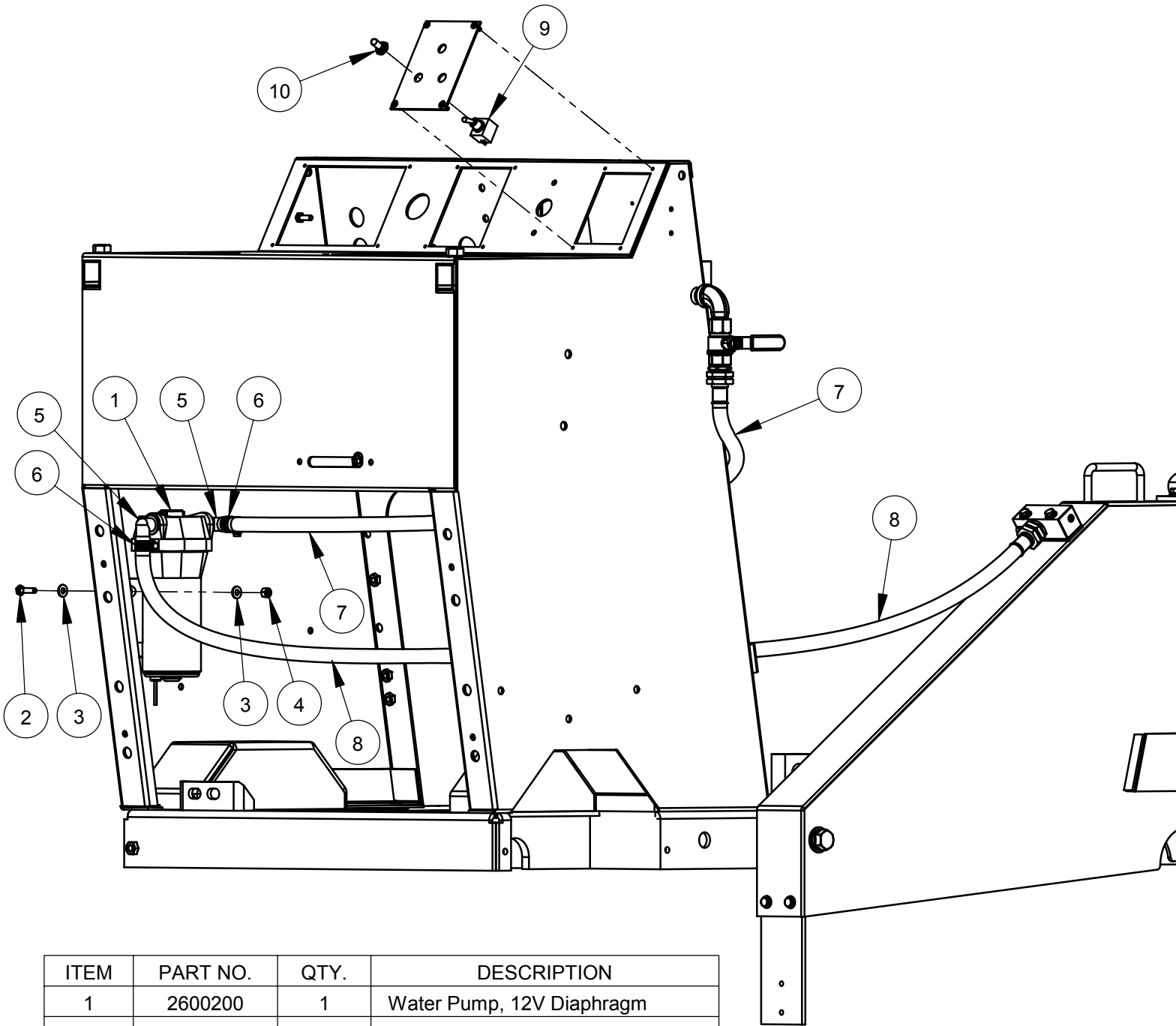
ITEM	PART NO.	QTY.	DESCRIPTION
1	6011716	1	Blade Shaft Weight
2	2900811	3	Cap Screw, Hex Hd., 1/2-13 x 2-1/2"
3	2900084	3	Lock Washer, 1/2" Split
4	2900058	3	Flat Washer, 1/2" SAE
5	2900026	3	Lock Nut, 1/2-13 Nylon

Front Pointer Assembly #6011220



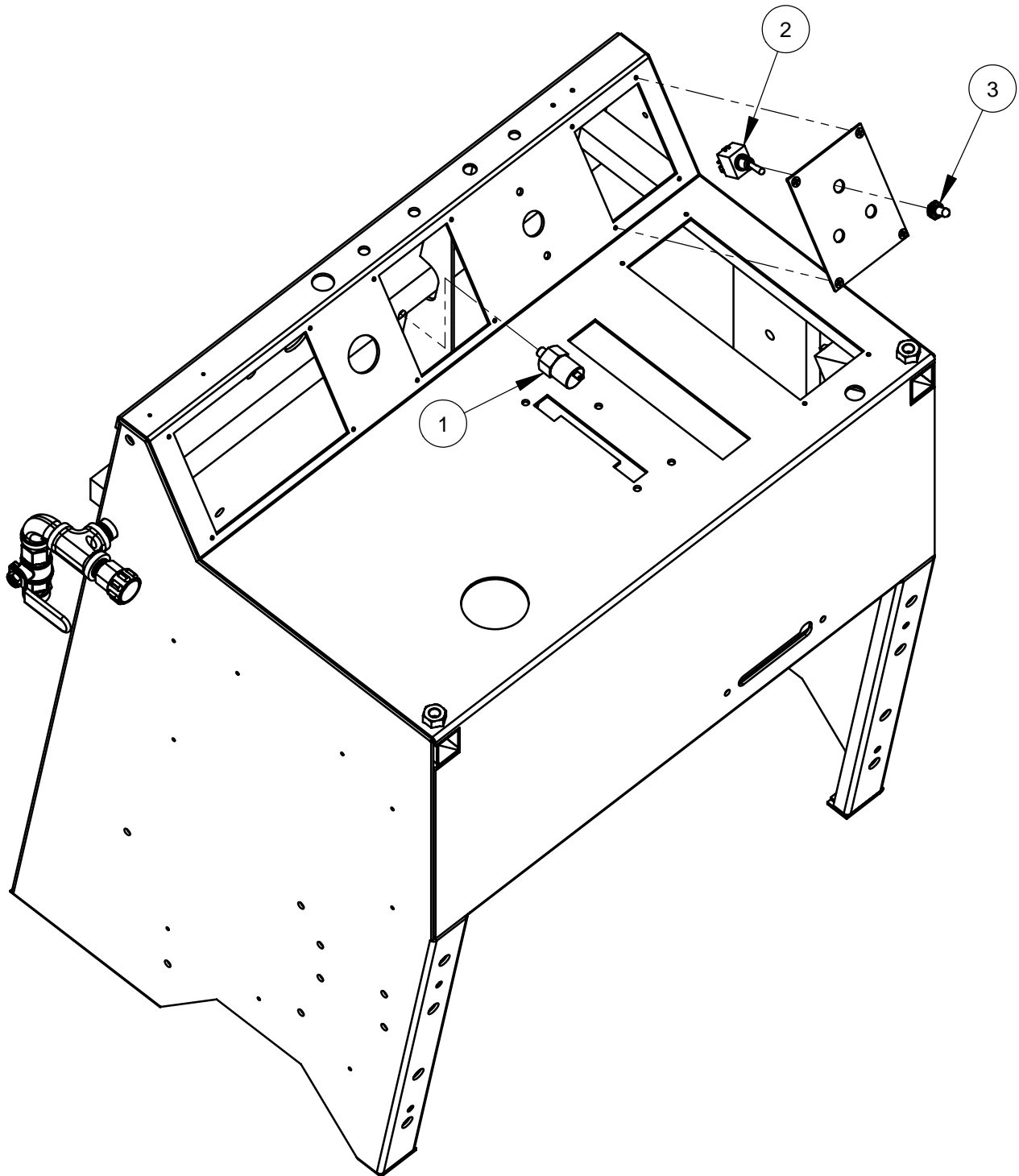
ITEM	PART NO.	QTY.	DESCRIPTION
1	6010541	1	Front Pointer Frame
2	6011152	2	Front Pointer Arm
3	6010009	1	Front Pointer Rod
4	2500740	1	Pointer Cap
5	2501409	1	Wheel, 6"
6	2500007	2	Set Collar, 1/2" with Set Screw
7	2900105	2	Cap Screw, Hex Hd., 1/2-13 x 2-3/4"
8	2900026	2	Lock Nut, 1/2-13 Nylon
9	2900005	2	Cap Screw, Hex Hd., 3/8-16 x 1"
10	2900033	4	Hex Nut, 3/8-16
11	2900013	2	Cap Screw, Hex Hd., 3/8-16 x 1-1/4"
12	6011226	1	Pointer Lanyard

Optional Water Pump Assembly #6011032



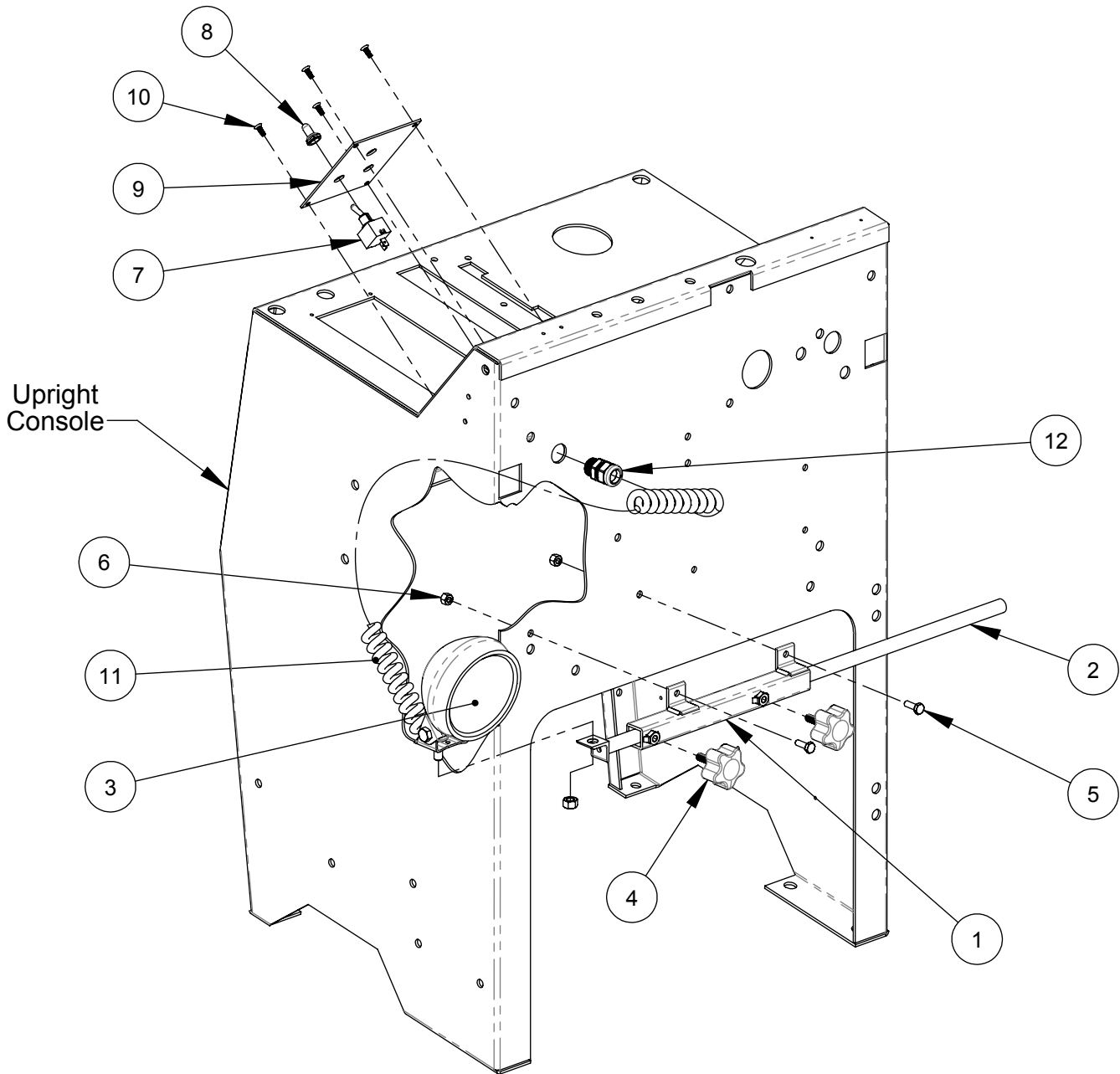
ITEM	PART NO.	QTY.	DESCRIPTION
1	2600200	1	Water Pump, 12V Diaphragm
2	2900008	4	Cap Screw, Hex Hd., 1/4-20 x 1"
3	2900009	8	Flat Washer, 1/4" SAE
4	2900010	4	Lock Nut, 1/4-20 Nylon
5	2701694	2	Port Fitting, 1/2" Barb x 90 Degree
6	3200016	2	Hose Clamp #8
7	6010302	1	Hose Assembly, 4 Foot
8	6010303	1	Hose Assembly, 5 Foot
9	2800062	1	Toggle Switch
10	2800063	1	Switch Boot

Optional Water Safety Switch Assembly #6047932



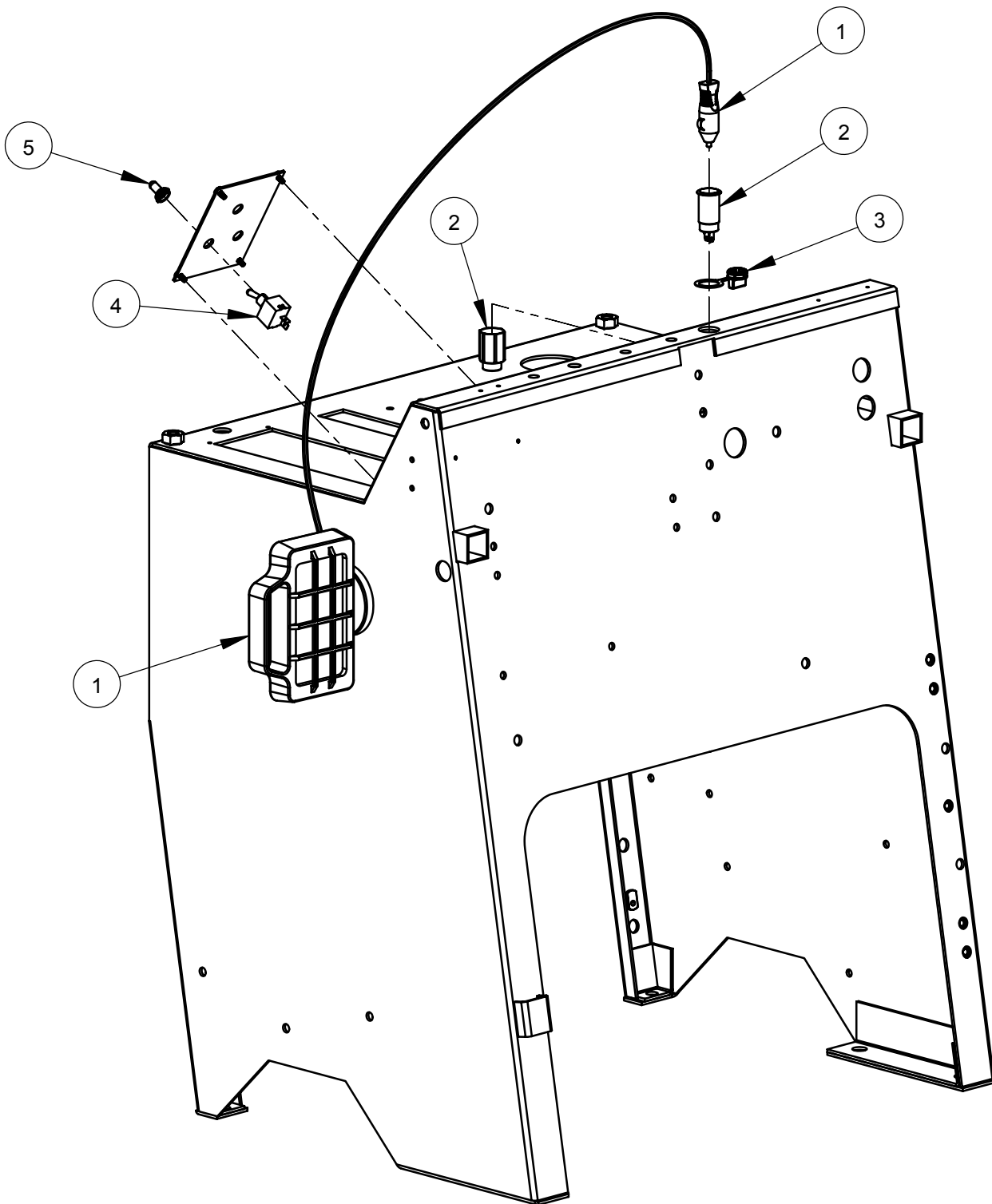
ITEM	PART NO.	QTY	DESCRIPTION
1	2800060	1	Water Pressure Safety Switch
2	2800062	1	Toggle Switch On/Off
3	2800063	1	Switch Boot

CC3500J Optional Spot Light Assembly #6011487



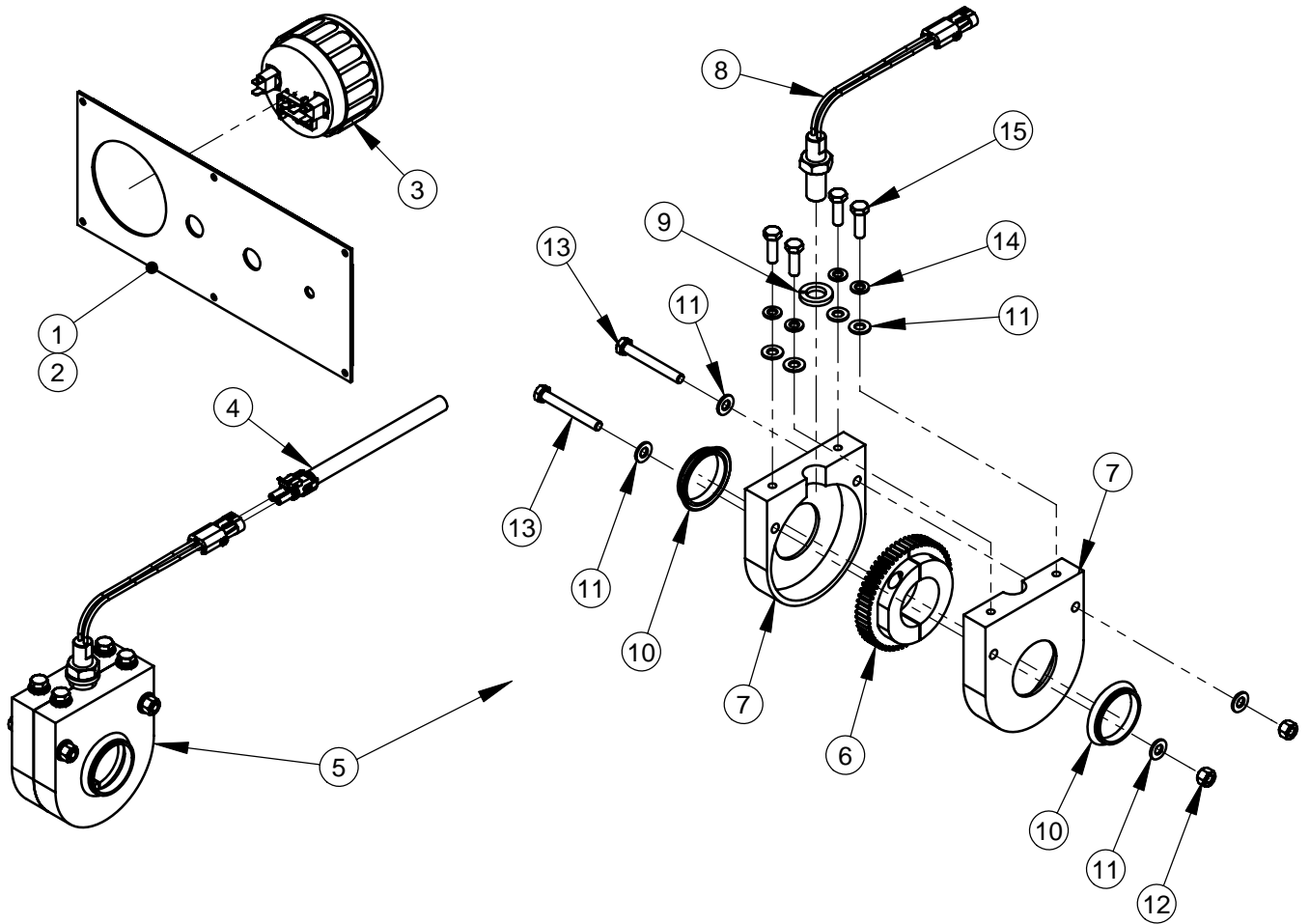
ITEM	PART NO.	QTY.	DESCRIPTION
1	6011486	1	Light Bar Mount Bracket CC3500J
2	6010106	1	Light Bar
3	2500194	1	Spot Light, 12 Volt
4	2400157	2	Hand Lock Knob, 5/16-18 x 1"
5	2900144	2	Cap Screw, Hex Hd., 1/4-20 x 3/4"
6	2900010	2	Lock Nut, 1/4-20 Nylon
7	2800062	1	Toggle Switch On/Off
8	2800063	1	Switch Boot
9	6010098	1	Switch Plate
10	2900445	4	Tap Screw, Flat Hd., #10-24 x 1/2"
11	6017086	1	Coiled Light Cord (1 Foot)
12	2800623	1	Cord Grip, 1/2" NPT Nylon

Optional Magentic Spot Light Assembly #6011170



ITEM	PART NO.	QTY.	DESCRIPTION
1	2501087	1	Light, 12V Magnetic Base
2	2800374	1	Outlet, 12 Volt Power
3	2800375	1	Cap, 12 Volt Power Outlet
4	2800062	1	Toggle Switch
5	2800063	1	Switch Boot

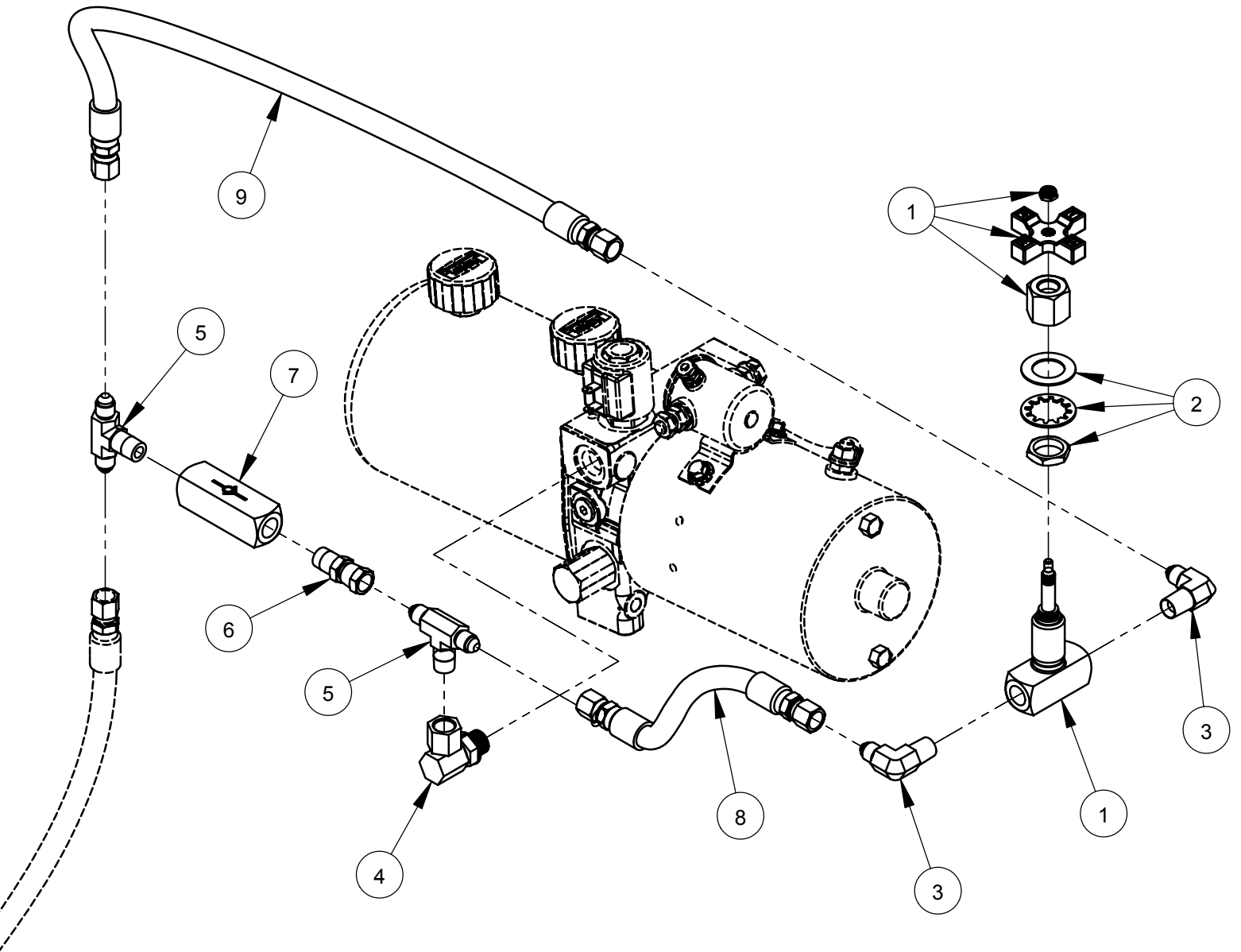
Optional Shaft Tachometer Assembly #6011384



ITEM	PART NO.	QTY.	DESCRIPTION
1	6011382	1	Gauge Panel
2	1801384	1	Instrument Panel Decal (Tach) CC3500J
3	6010416	1	Tach/Hour Meter (VDO) Calibrated
4	2800397	1	Tach Sensor Wire Harness
5	6011421	1	Shaft Tach Gear Assembly

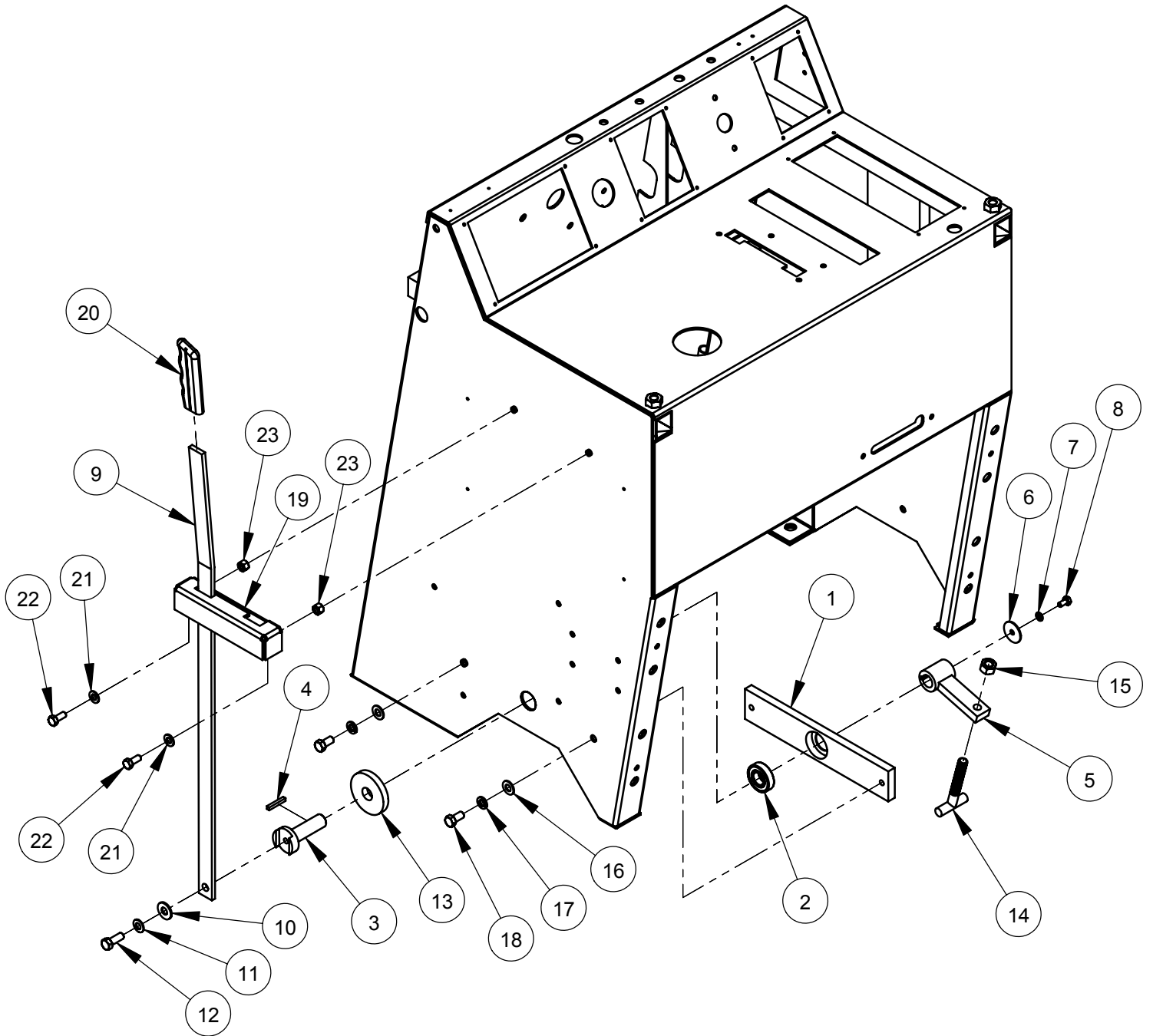
ITEM	PART NO.	QTY.	DESCRIPTION
6	6010230	1	Shaft Tach Gear, Split
7	6010669	2	Shaft Tach Gear Guard
8	2800169	1	Magnetic Sensor w/Jam Nut
9	2900113	1	Lock Washer, 5/8" Split
10	2501752	2	Seal, 1-3/4" V-Ring
11	2900022	8	Flat Washer, 5/16" SAE
12	2900039	2	Lock Nut, 5/16-18 Nylon
13	2900726	2	Cap Screw, Hex Hd., 5/16-18 x 2-1/2"
14	2900031	4	Lock Washer, 5/16" Split
15	2900138	4	Cap Screw, Hex Hd., 5/16-18 x 1"

Optional Lowering Speed Metering Valve Assembly #6010227



ITEM	PART NO.	QTY.	DESCRIPTION
1	3200211	1	Valve, 1/4" Metering
2	3200212	1	Panel Mounting Kit
3	3200057	2	Elbow, 1/4" M. Pipe to 1/4" M. JIC
4	3200115	1	Elbow, 3/8" O-Ring to 1/4" F. Pipe
5	3200213	2	Tee, 1/4" M. JIC to 1/4" M. Pipe
6	3200219	1	Adapter, 1/4" M. Pipe to 1/4" F. JIC
7	3200218	1	Check Valve
8	6010247	1	Hose Assembly, 8" Long
9	6010248	1	Hose Assembly, 20" Long

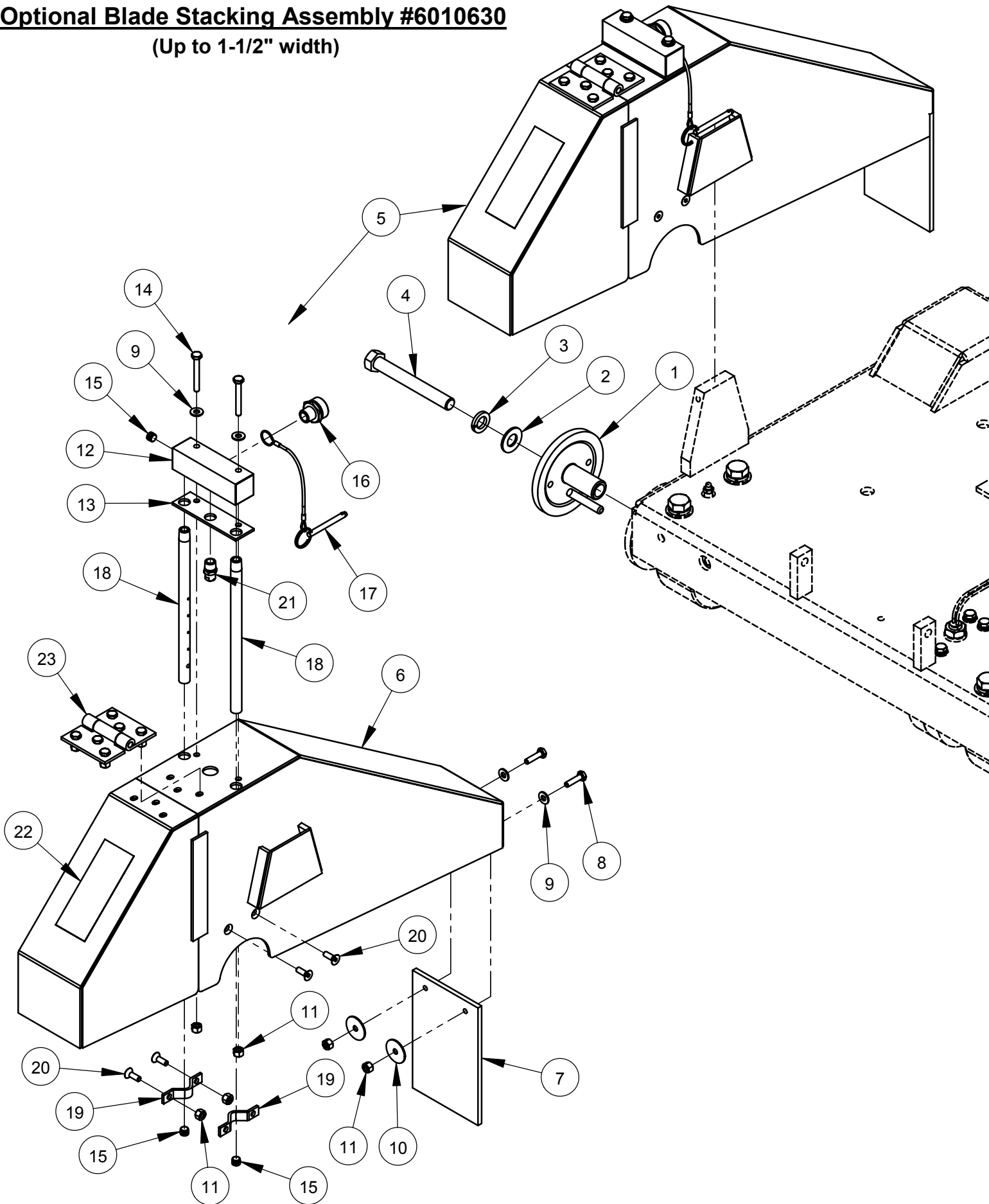
Optional Parking Brake Assembly #6011228



Optional Parking Brake Assembly #6011228

ITEM	PART NO.	QTY.	DESCRIPTION
1	6011229	1	Bearing Housing Bar
2	2501664	1	Ball Bearing, 3/4" x 1-5/8" x 7/16"
3	6011230	1	Pivot Pin
4	6048229	1	Key, 3/16" Sq. x 1-1/4"
5	6011231	1	Pivot Arm
6	2900083	1	Fender Washer, 1/4" x 1-1/4"
7	2900024	1	Lock Washer, 1/4" Split
8	2900082	1	Cap Screw, Hex Hd., 1/4-20 x 1/2"
9	6011232	1	Brake Lever
10	2900473	1	Flat Washer, 3/8" USS
11	2900474	1	Belleville Washer, 3/8"
12	2900005	1	Cap Screw, Hex Hd., 3/8-16 x 1"
13	6011234	1	Friction Washer, 3/4" x 2-1/2" x 3/8"
14	2900632	1	T-Bolt, 1/2-13
15	2900037	1	Hex Nut, 1/2-13
16	2900014	2	Flat Washer, 3/8" SAE
17	2900006	2	Lock Washer, 3/8" Split
18	2900196	2	Cap Screw, Hex Hd., 3/8-16 x 3/4"
19	6011233	1	Lever Gate
20	2500002	1	Lever Grip
21	2900022	2	Flat Washer, 5/16" SAE
22	2900019	2	Cap Screw, Hex Hd., 5/16-18 x 3/4"
23	2900039	2	Lock Nut, 5/16-18 Nylon

Optional Blade Stacking Assembly #6010630
(Up to 1-1/2" width)

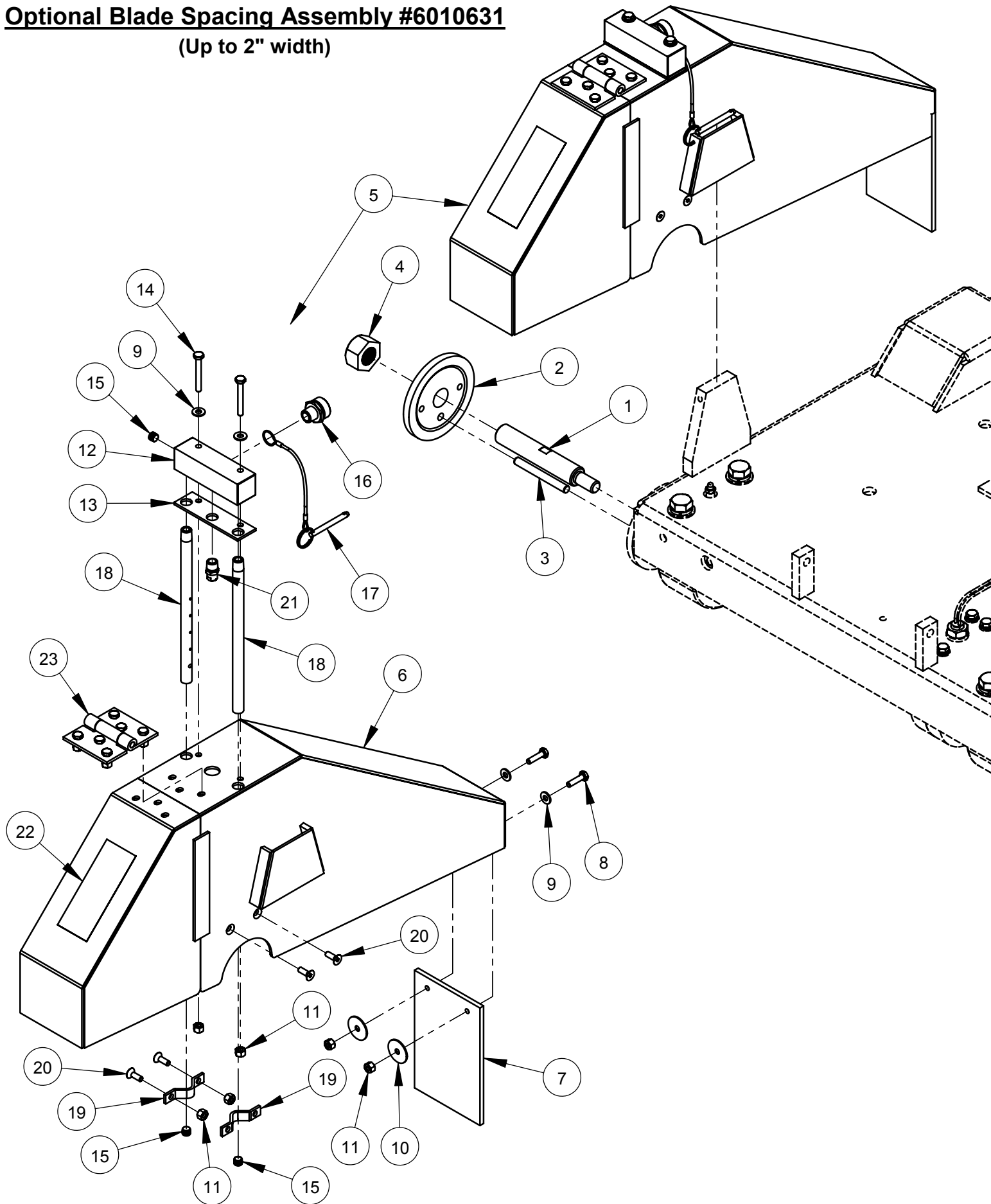


Optional Blade Stacking Assembly #6010630
(Up to 1-1/2" width)

ITEM	PART NO.	QTY.	DESCRIPTION
1	6010159	1	Outer Flange 4-1/2" with Pin
2	2900002	1	Flat Washer, 5/8" SAE
3	2900113	1	Lock Washer, 5/8" Split
4	2900210	1	Cap Screw, Hex Hd., 5/8"-11 x 5" LH
5	6010620	1	20" Wide Blade Guard Assembly

ITEM	PART NO.	QTY.	DESCRIPTION
6	6010621	1	20" Wide Blade Guard Front & Rear Only
7	6010296	1	Splash Flap
8	2900008	2	Cap Screw, Hex Hd., 1/4-20 x 1"
9	2900009	4	Flat Washer, 1/4" SAE
10	2900083	2	Fender Washer, 1/4" x 1-1/4"
11	2900010	8	Lock Nut, 1/4-20 Nylon
12	6010288	1	Water Manifold
13	2500988	1	Water Manifold Gasket
14	2900294	2	Cap Screw, Hex Hd., 1/4-20 x 2"
15	3200001	3	Plug, 1/8" NPT
16	3200002	1	Fitting, 3/8" M. Pipe to 3/4" M. Garden
17	2900278	1	Lanyard with Lock Pin
18	6010085	2	Water Tube for 20" Guard
19	6048155	2	Water Tube Clamp
20	2900020	4	Cap Screw, Flat Hd., 1/4-20 x 3/4"
21	3200208	1	Nozzle, 1/4" NPT
22	1800001	1	Warning Label
23	6010251	1	Hinge Assembly for 20" Guard

Optional Blade Spacing Assembly #6010631
(Up to 2" width)

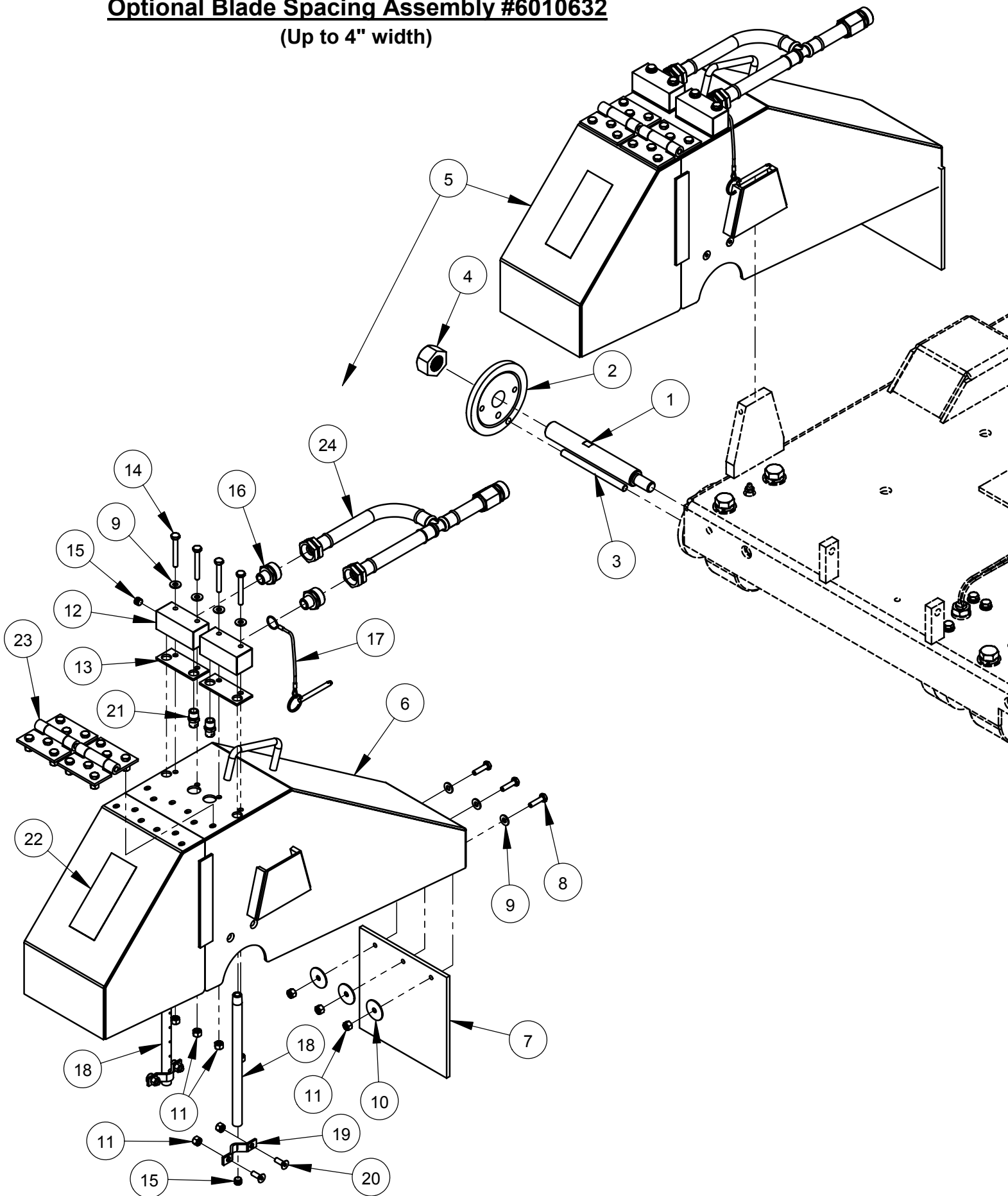


Optional Blade Spacing Assembly #6010631
(Up to 2" width)

ITEM	PART NO.	QTY.	DESCRIPTION
1	6010186	1	Blade Shaft Extension, Left Hand Thread
2	6010187	1	Outer Flange 4-1/2"
3	2900218	1	Dowel Pin, 3/8" Dia. x 3-1/2"
4	2900212	1	Hex Nut, 1"-14 Left Hand
5	6010620	1	20" Wide Blade Guard Assembly

ITEM	PART NO.	QTY.	DESCRIPTION
6	6010621	1	20" Wide Blade Guard Front & Rear Only
7	6010296	1	Splash Flap
8	2900008	2	Cap Screw, Hex Hd., 1/4-20 x 1"
9	2900009	4	Flat Washer, 1/4" SAE
10	2900083	2	Fender Washer, 1/4" x 1-1/4"
11	2900010	8	Lock Nut, 1/4-20 Nylon
12	6010288	1	Water Manifold
13	2500988	1	Water Manifold Gasket
14	2900294	2	Cap Screw, Hex Hd., 1/4-20 x 2"
15	3200001	3	Plug, 1/8" NPT
16	3200002	1	Fitting, 3/8" M. Pipe to 3/4" M. Garden
17	2900278	1	Lanyard with Lock Pin
18	6010085	2	Water Tube for 20" Guard
19	6048155	2	Water Tube Clamp
20	2900020	4	Cap Screw, Flat Hd., 1/4-20 x 3/4"
21	3200208	1	Nozzle, 1/4" NPT
22	1800001	1	Warning Label
23	6010251	1	Hinge Assembly for 20" Guard

Optional Blade Spacing Assembly #6010632
(Up to 4" width)

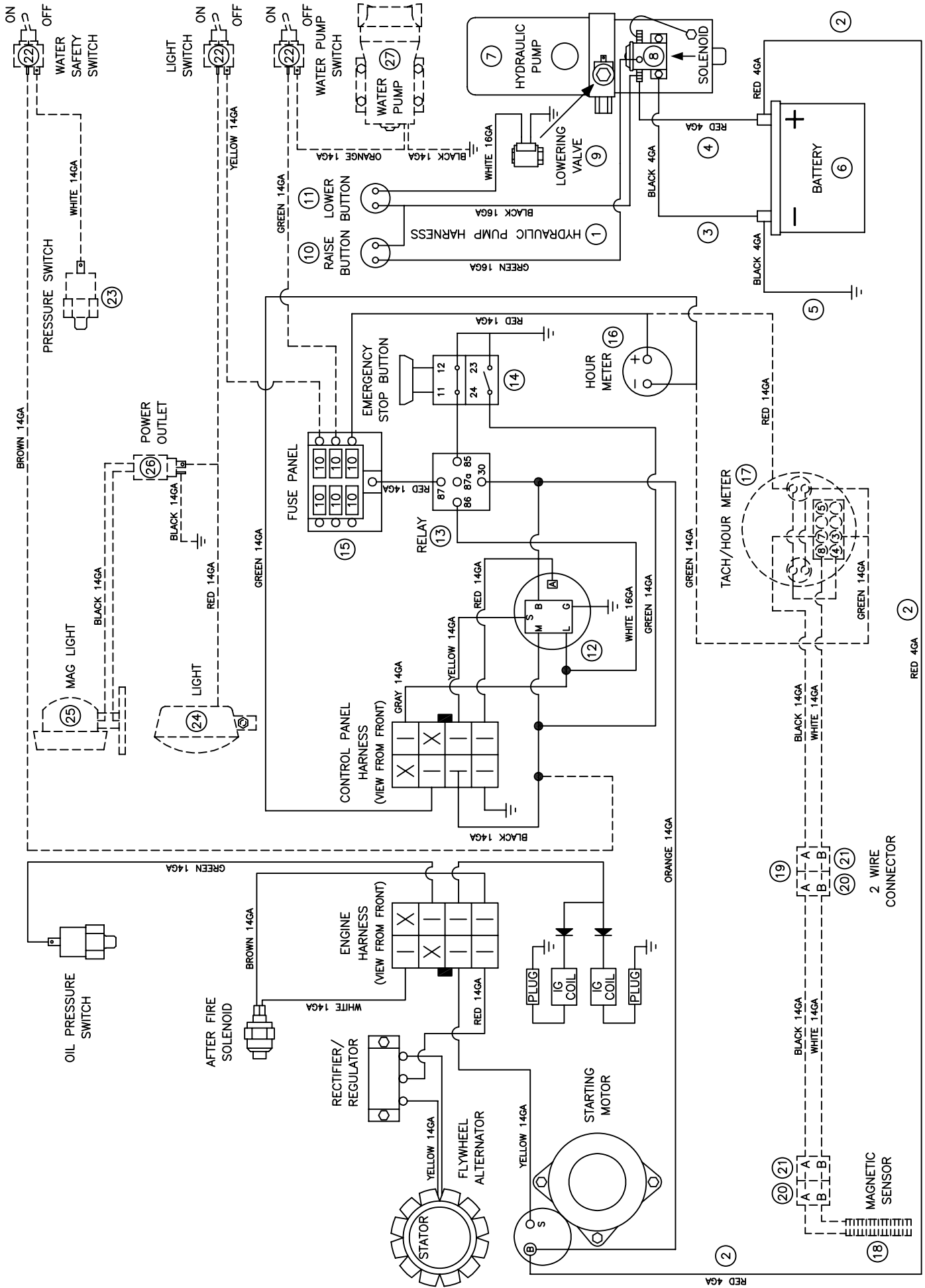


Optional Blade Spacing Assembly #6010632
(Up to 4" width)

ITEM	PART NO.	QTY.	DESCRIPTION
1	6010309	1	Blade Shaft Extension, Left Hand Thread
2	6010187	1	Outer Flange 4-1/2"
3	6010359	1	Drive Pin, 3/8" Dia. x 5"
4	2900212	1	Hex Nut, 1"-14 Left Hand
5	6010622	1	20" Wide Blade Guard Assembly

ITEM	PART NO.	QTY.	DESCRIPTION
6	6010623	1	20" Wide Blade Guard Front & Rear Only
7	6010366	1	Splash Flap
8	2900008	3	Cap Screw, Hex Hd., 1/4-20 x 1"
9	2900009	7	Flat Washer, 1/4" SAE
10	2900083	3	Fender Washer, 1/4" x 1-1/4"
11	2900010	11	Lock Nut, 1/4-20 Nylon
12	6048123	2	Water Manifold
13	2500829	2	Water Manifold Gasket
14	2900294	4	Cap Screw, Hex Hd., 1/4-20 x 2"
15	3200001	4	Plug, 1/8" NPT
16	3200002	2	Fitting, 3/8" M. Pipe to 3/4" M. Garden
17	2900278	1	Lanyard with Lock Pin
18	6010085	2	Water Tube for 20" Guard
19	6048155	2	Water Tube Clamp
20	2900020	4	Cap Screw, Flat Hd., 1/4-20 x 3/4"
21	3200208	2	Nozzle, 1/4" NPT
22	1800001	1	Warning Label
23	6010251	2	Hinge Assembly for 20" Guard
24	6010588	1	Hose Assembly, Dual Inlet

Wiring Diagram 35 HP Briggs-Vanguard



Wiring Diagram Briggs-Vanguard 35HP

Diagram Number	Part No.	Qty. Req.	Description	Diagram Number	Part No.	Qty. Req.	Description
1	2800393	1	Hydraulic Pump Harness	17	6010416	1	Optional Tach/Hour Meter (VDO) Calibrated
2	2800073	1	Battery Cable, Positive (Red)		2800611	2	(Light Socket)
3	2800072	1	Battery Cable, Negative (Black)		2800612	2	(Light Bulb, Wedge Base)
4	2800095	1	Solenoid Cable, Positive (Red)	18	2800169	1	Optional Magnetic Sensor (Includes #20)
5	2800182	1	Ground Cable, Negative (Black)	19	2800397	1	Optional Tach Sensor Harness
6	2700208	1	Battery, 12 Volt				(Includes #20 & #21)
7	2600070	1	Hydraulic Pump Unit (Includes #8 and #9)	20	2800145	2	Optional Connector, 2 Wire Shroud
8	2700169	1	Solenoid, Motor		2800114	4	Male Terminal, 14/16 Gage Wire
9	2700243	1	Valve Coil		2800174	4	Cable Seal, Gray
	2700244	1	Valve Stem	21	2800146	2	Optional Connector, 2 Wire Tower
10	2800372	1	Pushbutton Switch, Raise		2800115	4	Female Terminal, 14/16 Gage Wire
11	2800373	1	Pushbutton Switch, Lower		2800174	4	Cable Seal, Gray
12	2702622	1	Ignition Switch (Briggs-Vanguard)	22	2800062	3	Optional Toggle Switch
13	2800144	1	Relay		2800063	3	Switch Boot
	2800263	1	Relay Connector	23	2800060	1	Optional Water Pressure Safety Switch
	2800264	4	Wire Terminal, 1/4" Push-on	24	2500194	1	Optional Spot Light, 12 Volt
14	2801367	1	Emergency Stop Button	25	2501087	1	Optional Magnetic Base Light, 12 Volt
15	2800388	1	Fuse Panel, 6 Circuit	26	2800374	1	Optional Power Outlet, 12 Volt
	2800389	6	Fuse, 10 Amp Red ATO/ATC		2800375	1	Outlet Cap
16	2800460	1	Hour Meter	27	2600200	1	Optional Water Pump, Diaphragm

Wiring Diagram 35 HP Kohler

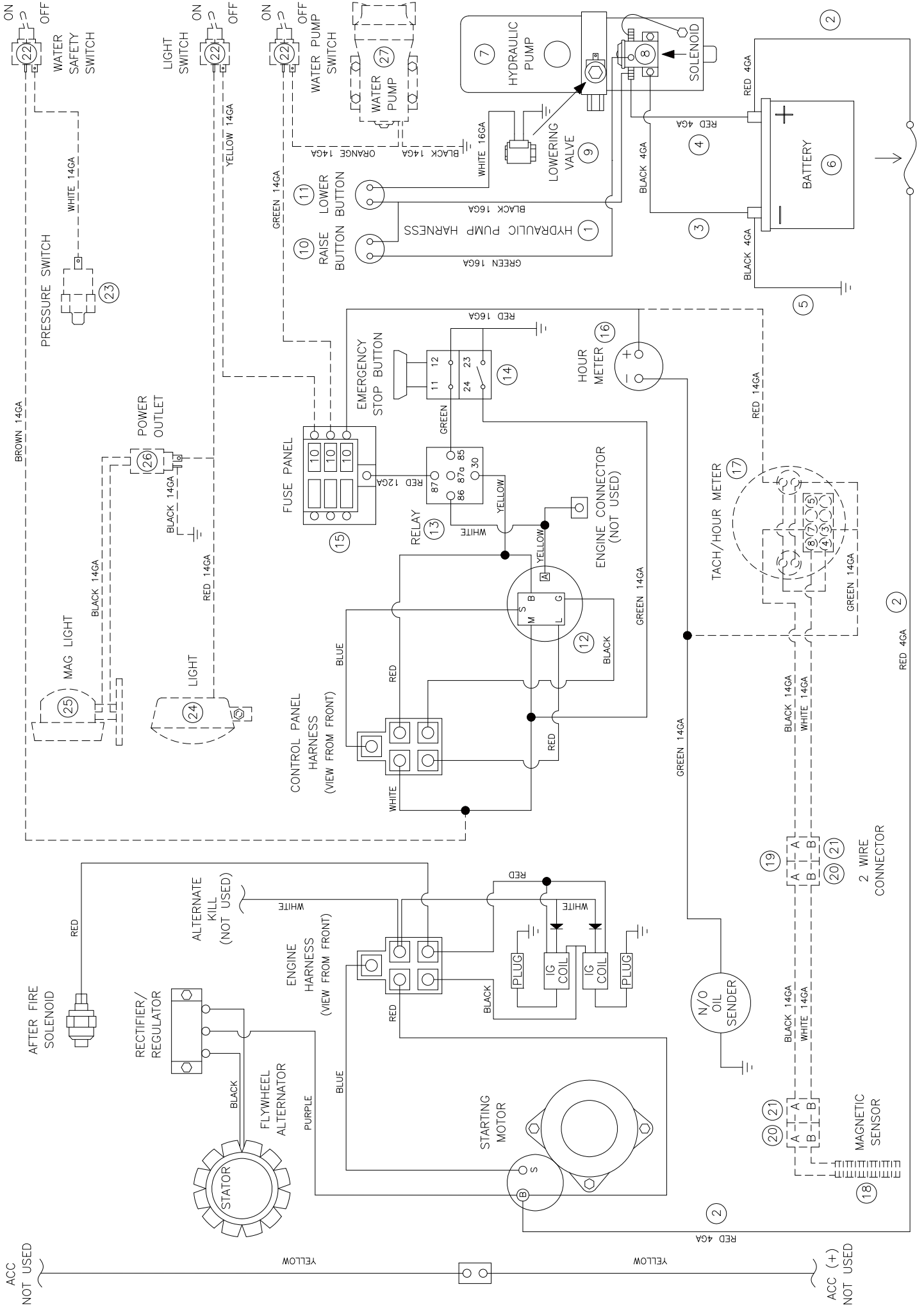


Diagram Number	Part No.	Qty. Req.	Description	Diagram Number	Part No.	Qty. Req.	Description
1	2800393	1	Hydraulic Pump Harness	17	6010416	1	Optional Tach/Hour Meter (VDO) Calibrated
2	2800073	1	Battery Cable, Positive (Red)		2800611	2	(Light Socket)
3	2800072	1	Battery Cable, Negative (Black)		2800612	2	(Light Bulb, Wedge Base)
4	2800095	1	Solenoid Cable, Positive (Red)	18	2800169	1	Optional Magnetic Sensor (Includes #20)
5	2800182	1	Ground Cable, Negative (Black)	19	2800397	1	Optional Tach Sensor Harness
6	2700208	1	Battery, 12 Volt				(Includes #20 & #21)
7	2600070	1	Hydraulic Pump Unit (Includes #8 and #9)	20	2800145	2	Optional Connector, 2 Wire Shroud
8	2700169	1	Solenoid, Motor		2800114	4	Male Terminal, 14/16 Gage Wire
9	2700243	1	Valve Coil		2800174	4	Cable Seal, Gray
	2700244	1	Valve Stem	21	2800146	2	Optional Connector, 2 Wire Tower
10	2800372	1	Pushbutton Switch, Raise		2800115	4	Female Terminal, 14/16 Gage Wire
11	2800373	1	Pushbutton Switch, Lower		2800174	4	Cable Seal, Gray
12	2705827	1	Key Switch (Kohler)	22	2800062	3	Optional Toggle Switch
13	2800144	1	Relay		2800063	3	Switch Boot
	2800263	1	Relay Connector	23	2800060	1	Optional Water Pressure Safety Switch
	2800264	4	Wire Terminal, 1/4" Push-on	24	2500194	1	Optional Spot Light, 12 Volt
14	2801367	1	Emergency Stop Button	25	2501087	1	Optional Magnetic Base Light, 12 Volt
15	2800388	1	Fuse Panel, 6 Circuit	26	2800374	1	Optional Power Outlet, 12 Volt
	2800389	3	Fuse, 10 Amp Red ATO/ATC		2800375	1	Outlet Cap
16	2800460	1	Hour Meter	27	2600200	1	Optional Water Pump, Diaphragm
				28	2705828	1	Harness Extension (Not Shown)

DECAL GROUP

CORE CUT CC3500

DIAMOND PRODUCTS

CORE CUT CC3500

333 PROSPECT STREET
ELYRIA, OHIO 44039 USA
PHONE 1-800-321-5336
www.diamondproducts.com

CC3500J RPM CHART

BLADE SIZE	BLADE RPM	BLADE SHAFT SHEAVE	JACKSHAFT SHEAVE INPUT	JACKSHAFT SHEAVE OUTPUT	ENGINE SHEAVE	ENGINE RPM	FLANGE SIZE	MAX CUT DEPTH
14"	3,000	3.65"	5.00"	6.00"	3.65"	3,600	5"	4-3/8"
20"	2,500	3.65"	5.60"	8.00"	3.65"	3,600	5"	7-3/8"
26"	1,900	4.12"	4.75"	8.00"	3.65"	3,600	5"	10-3/8"
30"	1,650	4.12"	4.12"	8.00"	3.65"	3,600	5"	12-3/8"

WARNING

- Always check the blades with RPM before mounting blade.
- Only use blades with a rated speed higher than the bladeshaft speed.
- Never exceed the maximum RPM stamped on blade. Overspeeding the blade can cause blade breakage and serious personal injury.
- When changing blade size, always adjust bladeshaft RPM according to the speed chart to match recommended blade RPM.
- Do not use a blade flange size smaller than that called for each blade.
- Never operate saw without the blade guard in place or allow rotating blade exposure to exceed 180 degrees.
- Never strain or flex with the blade shaft when starting or operating saw.
- Never use damaged blades or equipment.
- Refer to operator's manual for additional information about safety, operation and maintenance.

ADVERTENCIA

• Siempre cheque el motor en RPM antes de montar la hoja.
 • Solo use hojas con una velocidad nominal superior a la velocidad nominal de la hoja.
 • Nunca exceda la velocidad máxima indicada en la hoja. Exceder la velocidad puede causar rotura de la hoja y lesiones graves.
 • Cuando cambie el tamaño de la hoja, siempre ajuste la velocidad del eje de la hoja de acuerdo a la velocidad recomendada en la hoja.
 • No use una flange de tamaño menor que la indicada para cada hoja.
 • Nunca opere la sierra sin la guarda de la hoja en su lugar o permita la exposición de la hoja por un ángulo que exceda los 180 grados.
 • Nunca se esfuerce o flexione con el eje de la hoja al arrancar o operar la sierra.
 • Nunca use hojas dañadas o equipo.
 • Consulte el manual del operador para obtener información adicional sobre seguridad, operación y mantenimiento.

CORE CUT DECAL
#1800256 (Qty. 3)

RPM CHART DECAL #1800949
w/ CC3500J RPM DECAL #1801381

The decal sheet includes the following components:

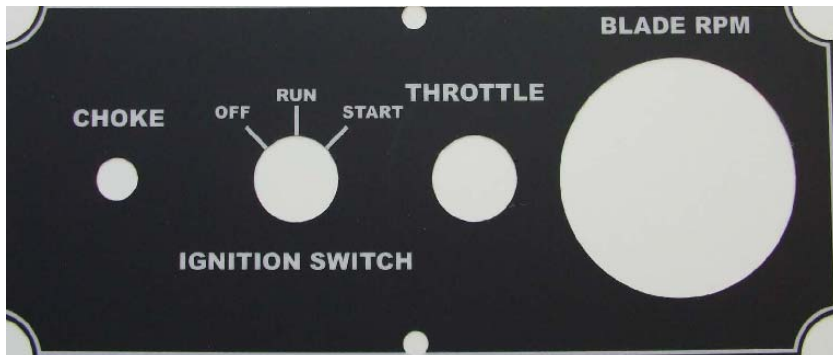
- Three circular RPM charts for blade sizes 14", 20", and 26".
- Rectangular speed control decals for "SLOW" (LENTO) and "FAST" (RÁPIDO).
- A "LOW SULFUR OR ULTRA LOW SULFUR DIESEL FUEL ONLY" decal.
- Vertical "FORWARD ADELANTE" and "REVERSE REVERSA" decals with gear shift indicators.
- A "REAR AXLE ADJUSTMENT" decal.
- A large orange "WARNING ADVERTENCIA" decal with multiple safety icons.
- "KEEP HANDS CLEAR" and "ALEJE LAS MANOS" decals.
- "ENGAGE" and "DISENGAGE" decals.
- "WATER SAFETY" decal with "ON/OFF" switches for "WATER PUMP" and "SPOT LIGHT".
- Various smaller control and status decals.

SAW LABEL SHEET
#1800351

DECAL GROUP



INSTRUMENT PANEL DECAL (STANDARD)
#1801382



INSTRUMENT PANEL DECAL (OPTIONAL TACH)
#1801384



WARNING DECAL
#1800001

EQUIPMENT AND PARTS WARRANTY

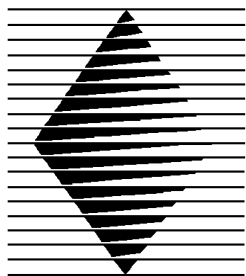
Diamond Products warrants all equipment manufactured by it against defects in workmanship or materials for a period of one (1) year from the date of shipment to Customer.

The responsibility of Diamond Products under this Warranty is limited to replacement or repair of defective parts at Diamond Products' Elyria, Ohio factory, or at a point designated by it, of such parts as shall appear to us upon inspection at such parts, to have been defective in material or workmanship, with expense for transportation and labor borne by Customer.

In no event shall Diamond Products be liable for consequential or incidental damages arising out of the failure of any Product to operate properly.

Integral units such as engines, electric motors, batteries, transmissions, etc., are excluded from this Warranty and are subject to the prime manufacturer's warranty.

THIS WARRANTY IS IN LIEU OF ALL OTHER WARRANTIES, EXPRESSED OR IMPLIED, AND ALL SUCH OTHER WARRANTIES ARE HEREBY DISCLAIMED.



DIAMOND PRODUCTS

333 Prospect Street, Elyria, Ohio 44035
(440) 323-4616 • (800) 321-5336 • Fax (440) 323-8689
www.diamondproducts.com