

DIAMOND
PRODUCTS

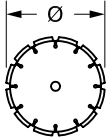
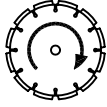
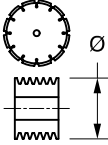
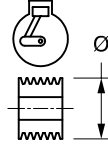

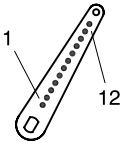
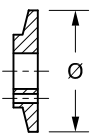
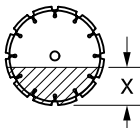
CONCRETE SAW
PARTS LIST

MODEL
CC3535

February 2008

Part #1800950

⚠ WARNING: NEVER EXCEED THE MAXIMUM RPM STAMPED ON BLADE!
 Excessive speed can cause blade breakage resulting in serious personal injury or death!

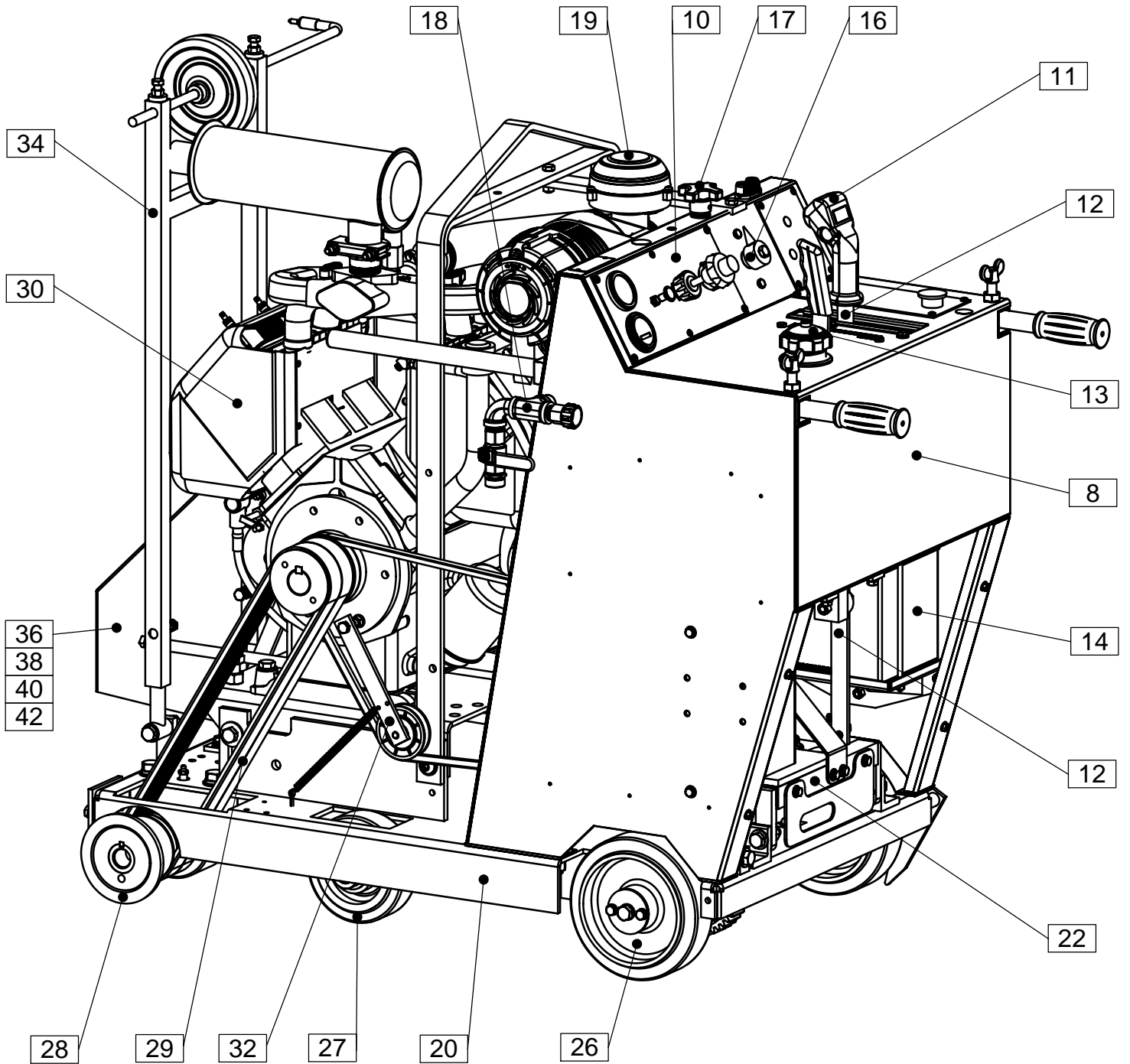
CC3535 RPM CHART							
BLADE SIZE	BLADE RPM	BLADESHAFT SHEAVE	ENGINE SHEAVE	ENGINE RPM	GOVERNOR HOLE	FLANGE SIZE	MAX CUT DEPTH
14"	3,000	3.65"	3.65"	3,000	12	5"	4-3/8"
20"	2,500	3.65"	3.65"	2,500	9	5"	7-3/8"
26"	1,900	4.12"	3.12"	2,500	9	5"	10-3/8"
30"	1,650	4.12"	3.12"	2,200	8	5"	12-3/8"
							

⚠ WARNING ⚠
 The engine exhaust from this product contains chemicals known to the State of California to cause cancer, birth defects or other reproductive harm.

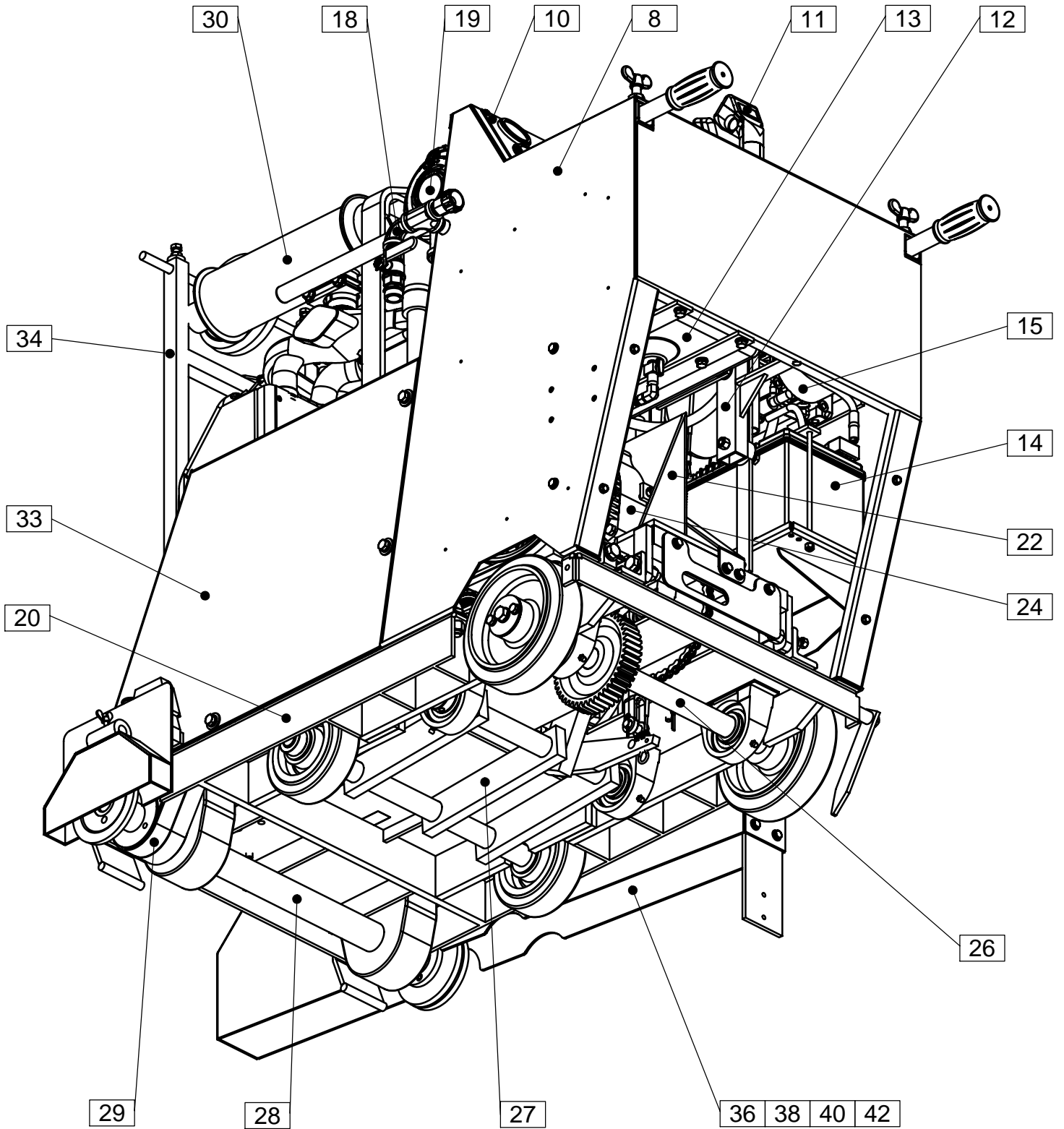
Table of Contents

Pictorial Page Index.....	4,5	Idler Assembly.....	32
Controls Legend.....	6	Belt Guard Assembly.....	33
Quick Reference Service Filters / Belts.....	7	Front Pointer Assembly.....	34
Frame Upright Assembly.....	8,9	Notes.....	35
Instrument Panel Assembly.....	10	14” Blade Guard Assembly.....	36,37
Control Grip Assembly.....	11	20” Blade Guard Assembly.....	38,39
Control Lever Assembly (Eaton).....	12	26” Blade Guard Assembly.....	40,41
Fuel Tank Assembly.....	13	30” Blade Guard Assembly.....	42,43
Battery Assembly.....	14	Optional Water Pump Assembly.....	44
Hydraulic Pump Assembly.....	15	Optional Water Safety Switch Assembly.....	45
Depth Indicator Assembly.....	16	Optional Spot Light Assembly.....	46
Depth Stop Assembly.....	17	Optional Magnetic Spot Light Assembly.....	47
Water Supply Assembly.....	18	Optional Shaft Tachometer Assembly.....	48
Air Intake Assembly.....	19	Optional Speed Metering Valve Assembly.....	49
Frame Base Assembly.....	20	Optional Parking Brake Assembly.....	50,51
Hydraulic Cylinder Assembly.....	21	Optional Blade Stacking Assembly.....	52,53
Rear Drive Assembly (Eaton).....	22,23	Optional Blade Spacing Assembly.....	54,55
Eaton Transmission Assembly.....	24	Optional Blade Spacing Assembly.....	56,57
Linkage Assembly.....	25	Wiring Diagram.....	58,59
Rear Axle Assembly (Eaton / Gear).....	26	Decal Group.....	60
Front Axle Assembly.....	27	Notes.....	61
Blade Shaft Assembly.....	28	Governor Setting.....	62
Belt Drive Assembly.....	29	Blade Speed Conversion Charts.....	63
Engine Assembly.....	30,31	Warranty.....	64

Pictorial Page Index

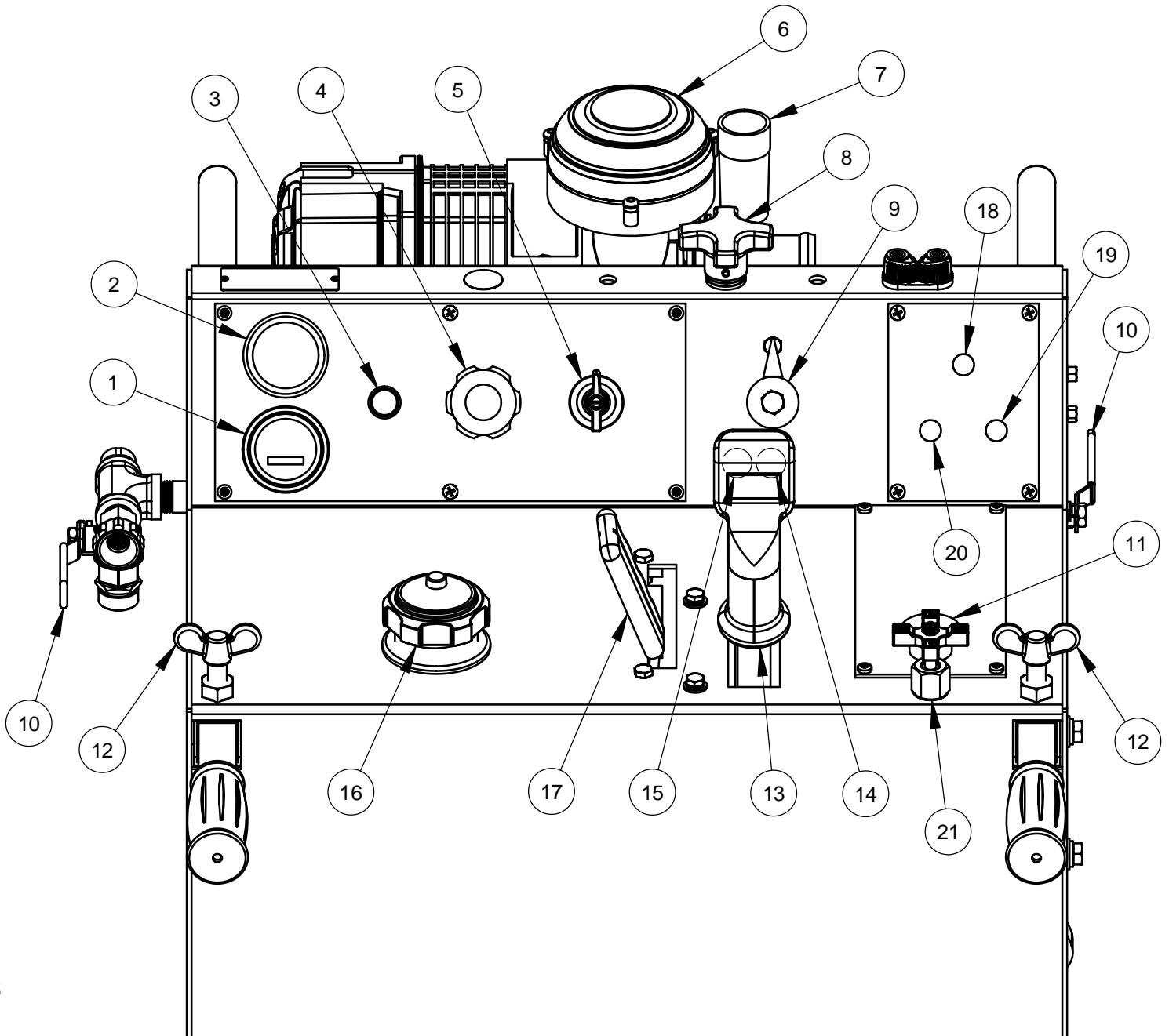


Pictorial Page Index



Controls Legend

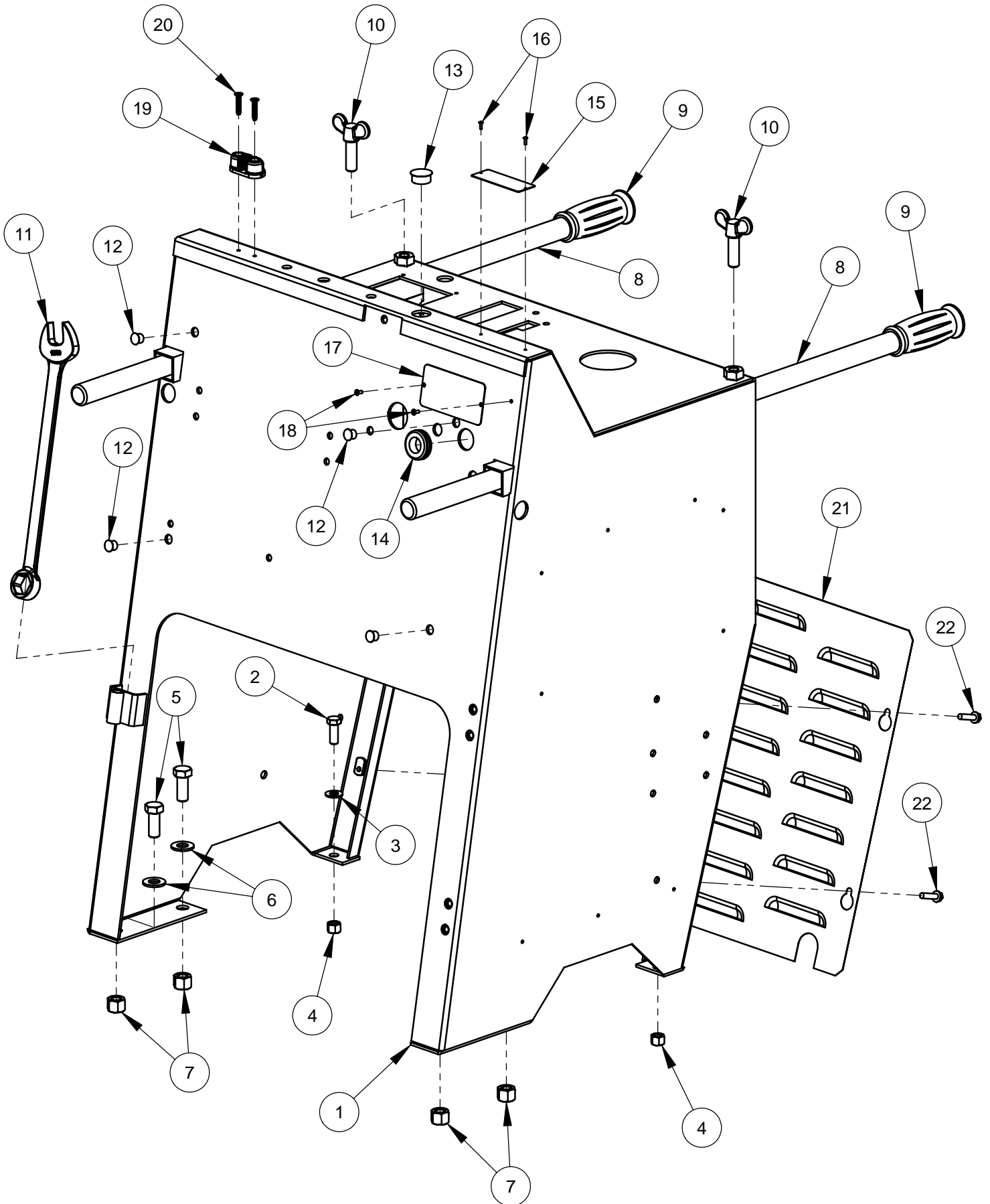
- | | | | |
|----|-----------------------------------|----|--|
| 1 | Hour Meter | 12 | Handle Lock Knobs |
| 2 | Volt Meter | 13 | Speed Control Lever |
| 3 | Choke Control | 14 | Lower Pushbutton |
| 4 | Vernier Throttle Control | 15 | Raise Pushbutton |
| 5 | Ignition Switch | 16 | Fuel Tank Cap |
| 6 | Pre-Cleaner | 17 | Transmission Engagement Lever |
| 7 | Air Cleaner Restriction Indicator | 18 | Water Safety Switch (Optional) |
| 8 | Depth Stop Knob | 19 | Spotlight Switch (Optional) |
| 9 | Cutting Depth Indicator | 20 | Water Pump Switch (Optional) |
| 10 | Water Valve | 21 | Lowering Speed Metering Valve (Optional) |
| 11 | Emergency Stop Button | | |



Quick Reference Service Filters / Belts

DP Part No.	Description	Manufacturer's Part No.
2701812	Engine Oil Filter	(Wiscon #RV52)
2702031	Spark Plug (4)	(Champion #D16J)
2500201	In-Line Fuel Tank Filter	(Fram #G1 or Wix #33001)
2501211	Outer Primary Air Filter	(Donaldson #P821575)
2501212	Inner Safety Air Filter	(Donaldson #P822858)
2500595	Blade Shaft Belt (2)	(Gates #3/3VX475)
2502034	Eaton Transmission Belt	(Gates #AX62)

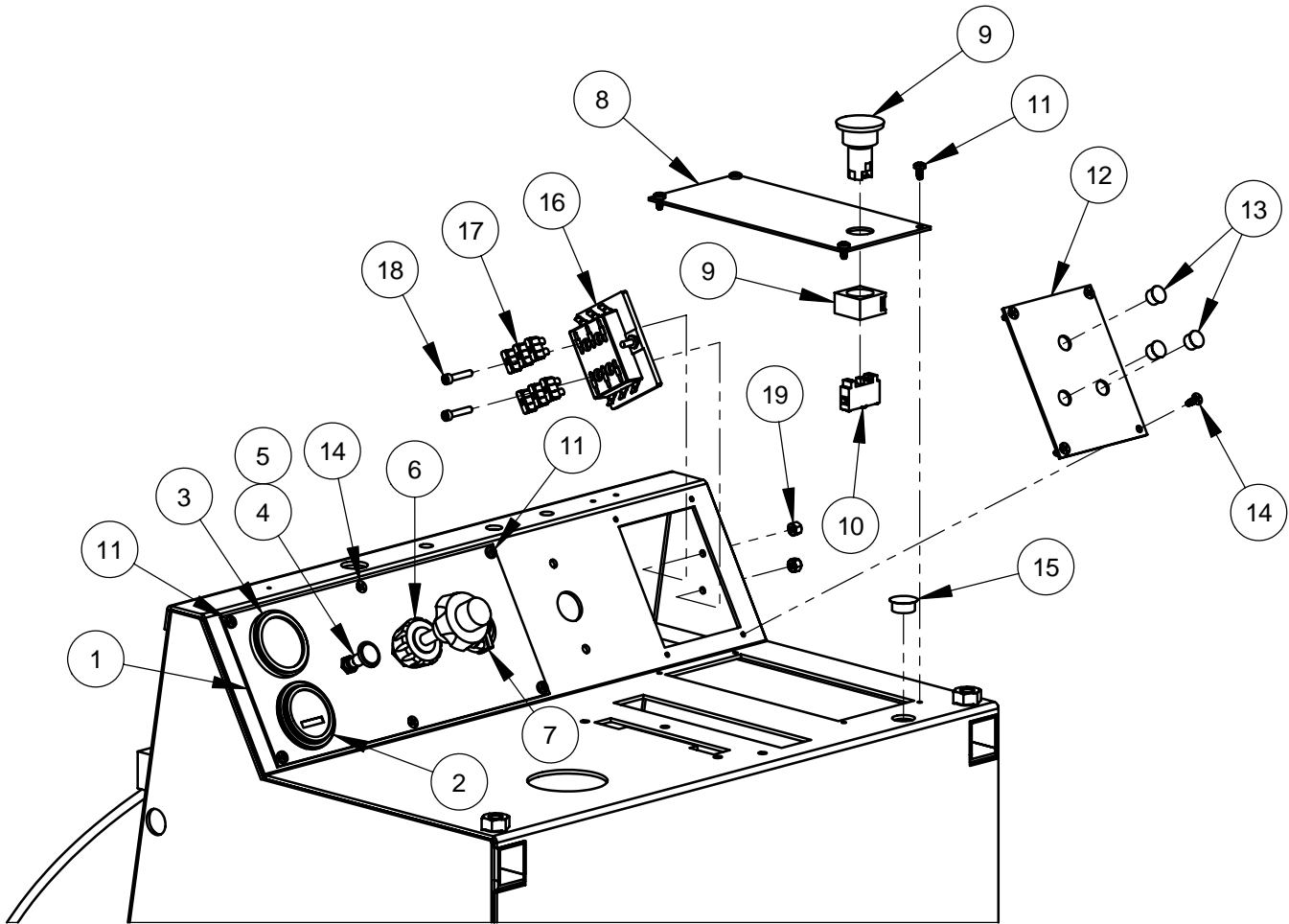
Frame Upright Assembly #6011415



Frame Upright Assembly #6011415

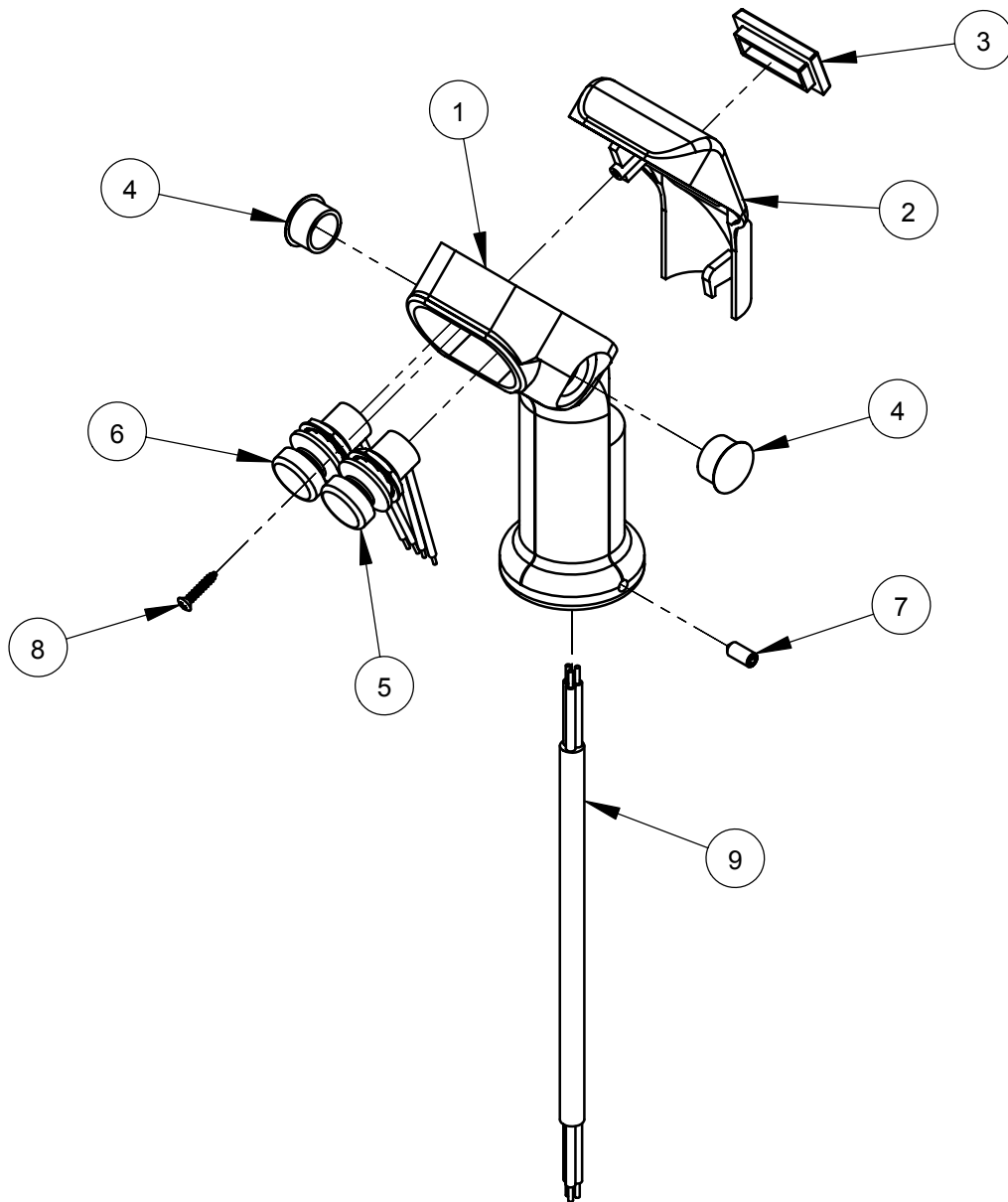
ITEM	PART NO.	QTY.	DESCRIPTION
1	6011401	1	Frame Upright Weldment
2	2900005	2	Cap Screw, Hex Hd., 3/8-16 x 1"
3	2900014	2	Flat Washer, 3/8" SAE
4	2900018	2	Lock Nut, 3/8-16 Nylon
5	2900025	4	Cap Screw, Hex Hd., 1/2-13 x 1-1/4"
6	2900058	4	Flat Washer, 1/2" SAE
7	2900026	4	Lock Nut, 1/2-13 Nylon
8	6010014	2	Handle Bar, 36" Long
9	2500636	2	Handle Grip
10	2900430	2	Hand Lock Knob, 1/2-13 x 1-1/2"
11	2503704	1	Wrench, 15/16" Combination
12	2501287	4	Plug, 7/16" Hole
13	2500549	1	Plug, 7/8" Hole
14	2500203	1	Grommet, 3/4" I.D.
15	1800169	1	Serial Number Plate, US
16	2900096	2	Rivet, 3/32" Dia.
17	1800377	1	Serial Number Plate, CE
18	2900287	2	Rivet, 1/8" Dia.
19	2501427	1	Cable Cleat
20	2900483	2	Tap Screw, Flat Hd., #10-24 x 1"
21	6011023	1	Rear Cover Screen
22	2900180	4	Cap Screw, Hex Flange Hd., 1/4-20 x 1"

Instrument Panel Assembly #6011416



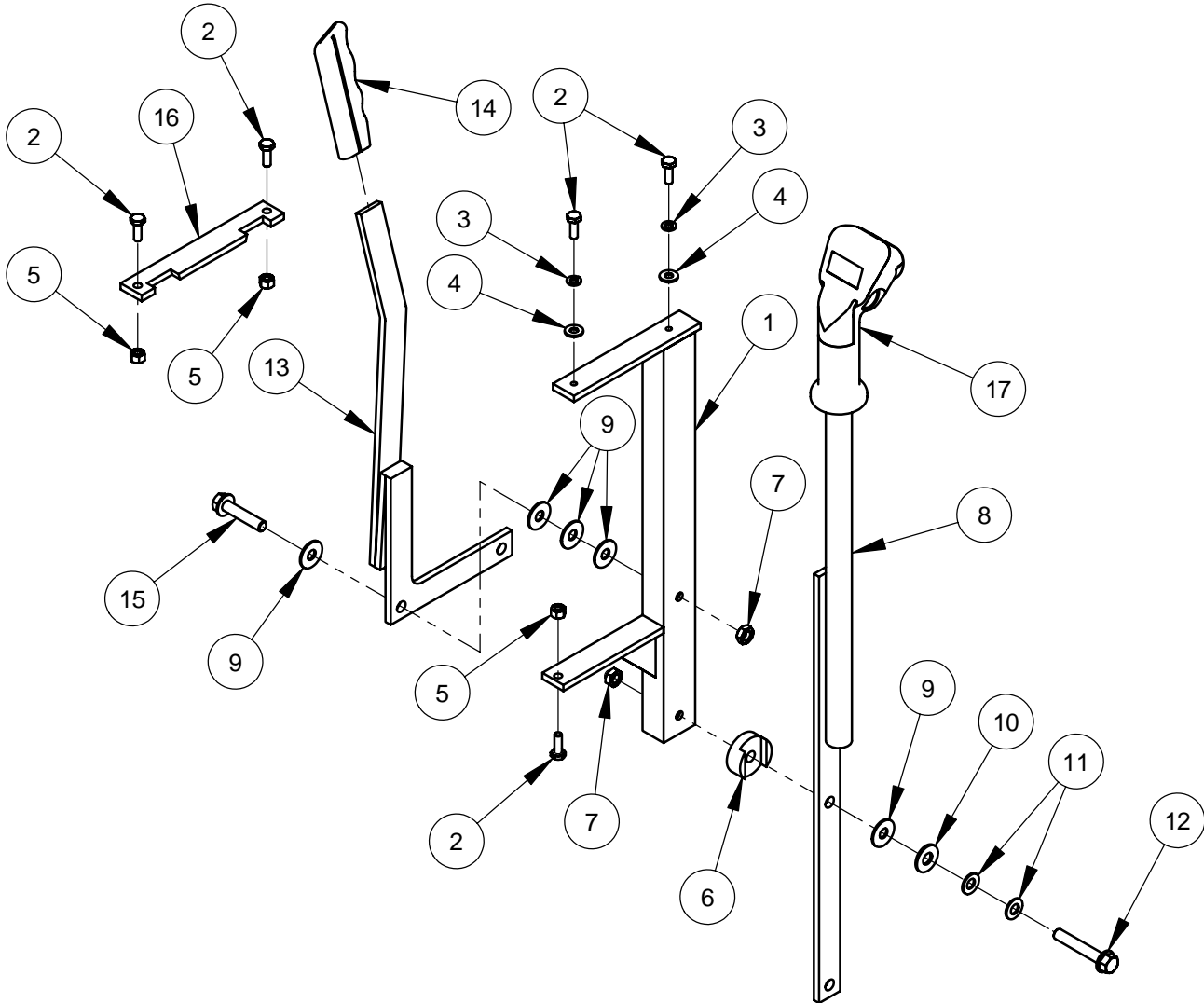
ITEM	PART NO.	QTY	DESCRIPTION
1	6011072	1	Gauge Panel
2	2800064	1	Hour Meter
3	2800271	1	Volt Meter
4	2500186	1	Choke Cable
5	2900148	1	Hex Nut, 3/8-24
6	2500376	1	Vernier Throttle Cable
7	2500220	1	Ignition Switch
8	6011024	1	Hydraulic Pump Cover Plate
9	2800461	1	Emergency Stop Button
10	2800462	1	Contact Block, N.C.
11	2900021	8	Tap Screw, Pan Hd., #10-24 x 3/8"
12	6010098	1	Switch Plate
13	2500204	3	Plug, 1/2" Hole
14	2900445	6	Tap Screw, Flat Hd., #10-24 x 1/2"
15	2500463	1	Plug, 3/4" Hole
16	2800388	1	Fuse Panel, 6 Circuit
17	2800389	6	Fuse, 10 Amp Red ATO/ATC
18	2900913	2	Cap Screw, Soc. Hd., #10-24 x 1"
19	2900017	2	Lock Nut, #10-24 Nylon

Control Grip Assembly #6010319



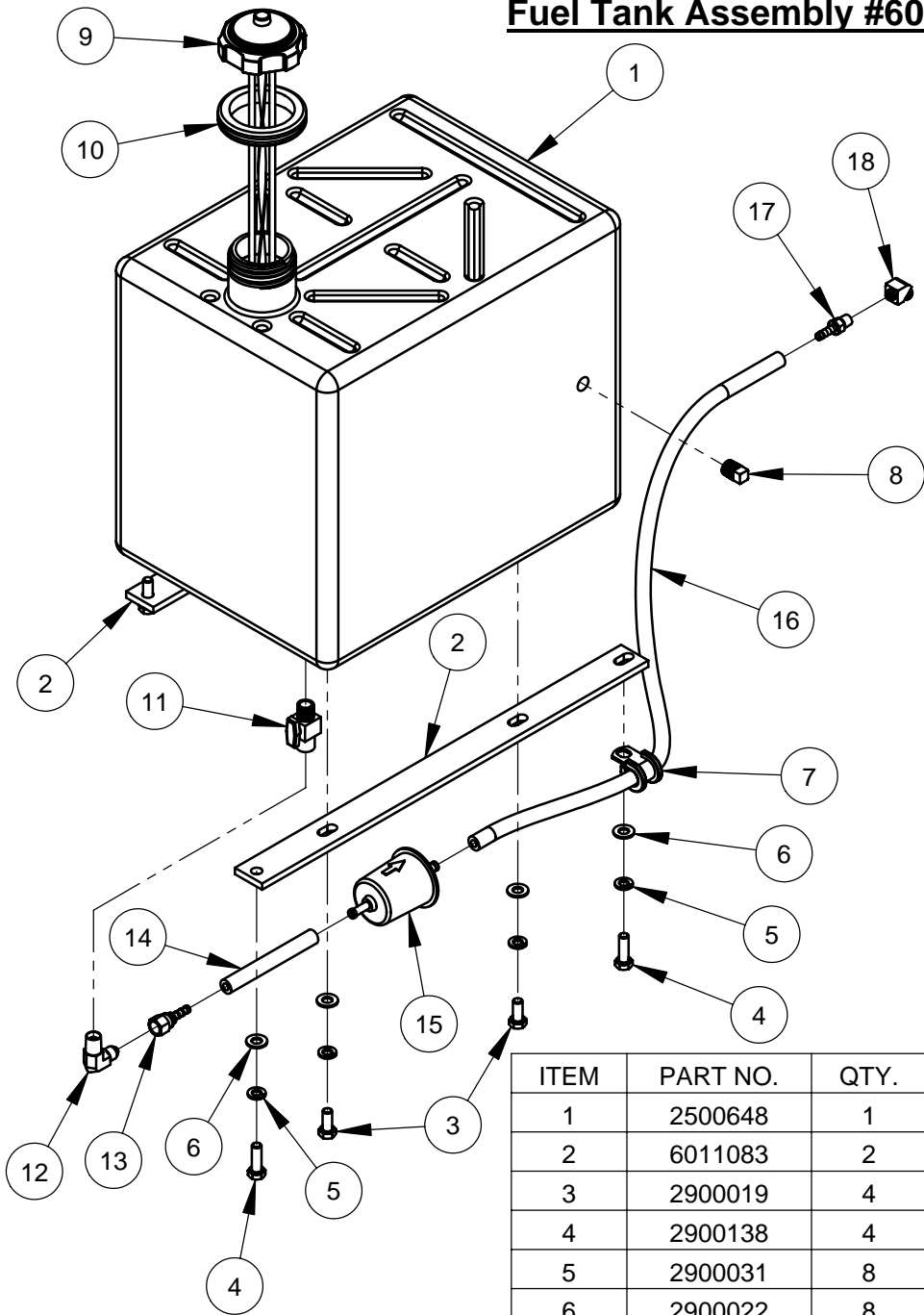
ITEM	PART NO.	QTY.	DESCRIPTION
1	2501280	1	Control Grip Body
2	2501281	1	Control Grip Cover
3	2500644	1	Plug, Rectangular
4	2500694	2	Plug, 5/8" Hole
5	2800372	1	Pushbutton Switch, Raise
6	2800373	1	Pushbutton Switch, Lower
7	2900453	1	Set Screw, Soc. Hd., M5 x 12mm
8	2900452	1	Machine Screw, Oval Hd., #4 x 5/8"
9	2800393	1	Harness, Hydraulic Pump

Control Lever Assembly #6011417 (Eaton)



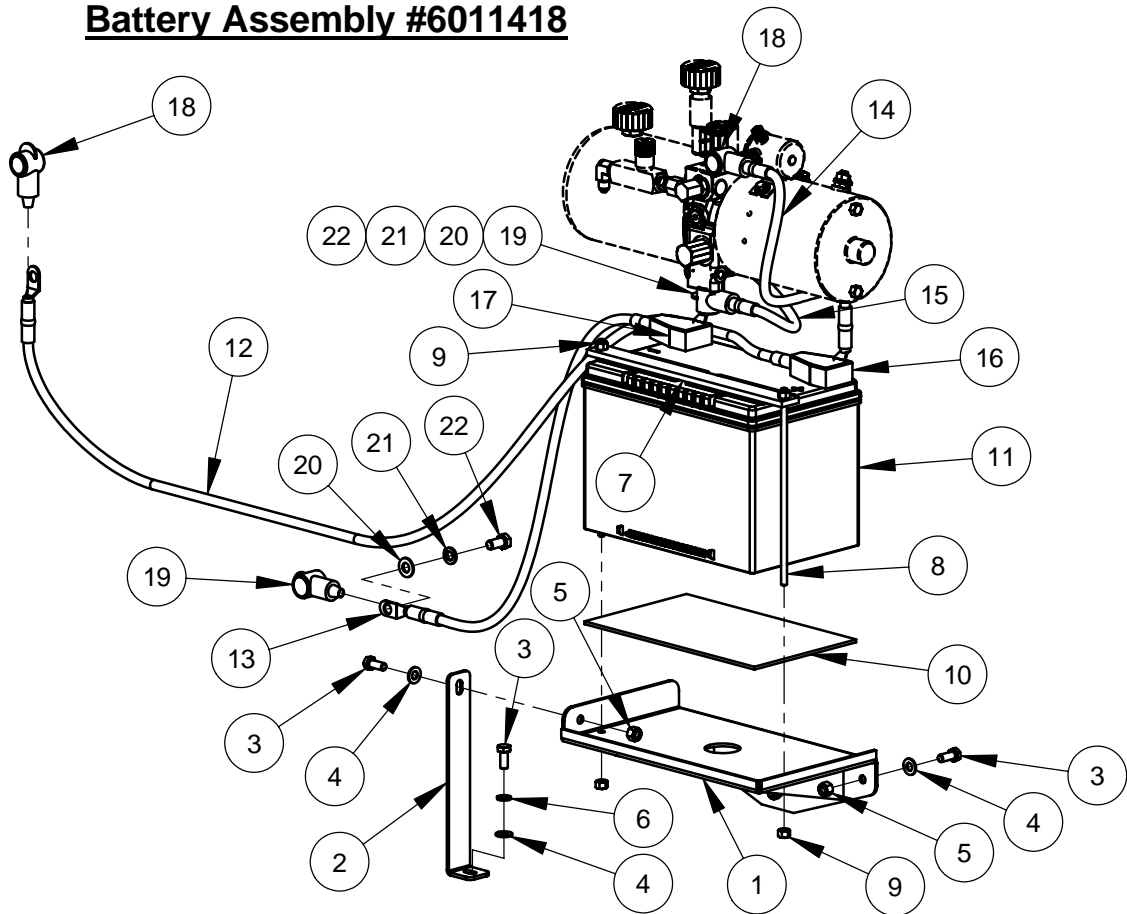
ITEM	PART NO.	QTY	DESCRIPTION
1	6011410	1	Lever Support Weldment
2	2900144	5	Cap Screw, Hex Hd., 1/4-20 x 3/4"
3	2900024	2	Lock Washer, 1/4" Split
4	2900009	2	Flat Washer, 1/4" SAE
5	2900010	3	Lock Nut, 1/4-20 Nylon
6	6010055	1	Friction Spacer
7	2900782	2	Jam Nut, 3/8-16
8	6011414	1	Speed Control Lever
9	2900153	5	Friction Washer, 3/8"
10	2900473	1	Flat Washer, 3/8" USS
11	2900474	2	Belleville Washer, 3/8"
12	2900781	1	Cap Screw, Hex Flange Hd., 3/8-16 x 2-1/4"
13	6010057	1	Engagement Lever Weldment
14	2500002	1	Lever Grip
15	2900780	1	Cap Screw, Hex Flange Hd., 3/8-16 x 1-3/4"
16	6010058	1	Gate Plate
17	6010319	1	Control Grip Assembly

Fuel Tank Assembly #6012097



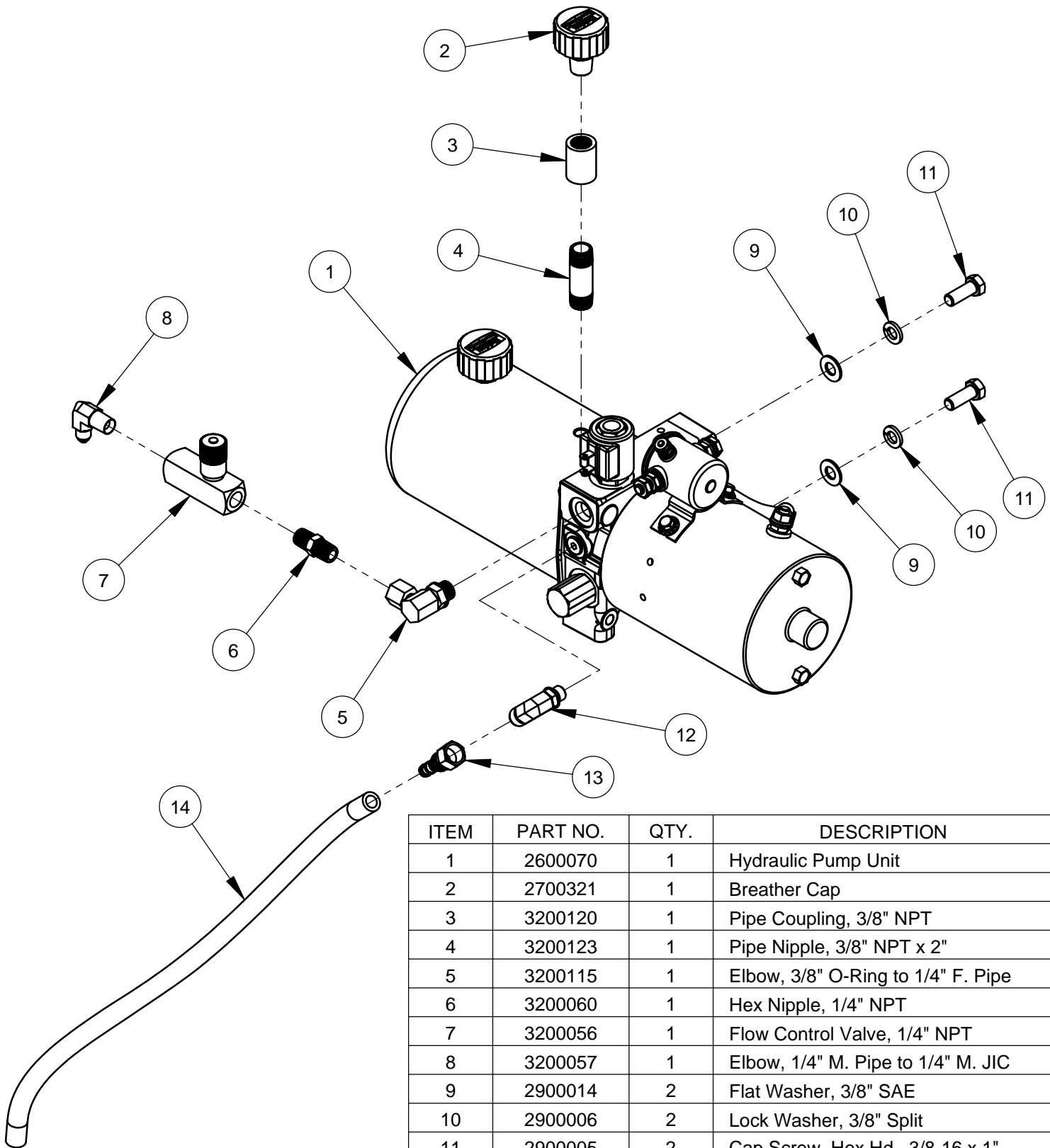
ITEM	PART NO.	QTY.	DESCRIPTION
1	2500648	1	Fuel Tank
2	6011083	2	Fuel Tank Mount Bar
3	2900019	4	Cap Screw, Hex Hd., 5/16-18 x 3/4"
4	2900138	4	Cap Screw, Hex Hd., 5/16-18 x 1"
5	2900031	8	Lock Washer, 5/16" Split
6	2900022	8	Flat Washer, 5/16" SAE
7	2501434	1	Hose Clamp, 1/2" x 3/4" Wide
8	3200206	1	Pipe Plug, 1/4" NPT
9	2500649	1	Fuel Tank Cap
10	2500205	1	Fuel Tank Grommet
11	3200108	1	Fuel Shut-Off Valve, 1/4"
12	3200057	1	Elbow, 1/4" M. Pipe to 1/4" M. JIC
13	3200091	1	Fitting, 1/4" F. JIC to 1/4" Push Lock
14	6010218	1	Fuel Line Hose, 1/4" I.D. x 4"
15	2500201	1	Filter, Gasoline Fuel
16	6011062	1	Fuel Line Hose, 1/4" I.D. x 20"
17	3200065	1	Fitting, 1/8" Male Pipe to 1/4" Push Lock
18	3200099	1	Street Elbow, 1/8" NPT x 45 Deg.

Battery Assembly #6011418



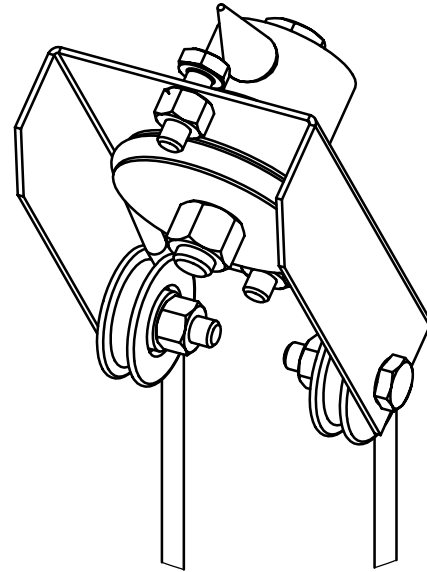
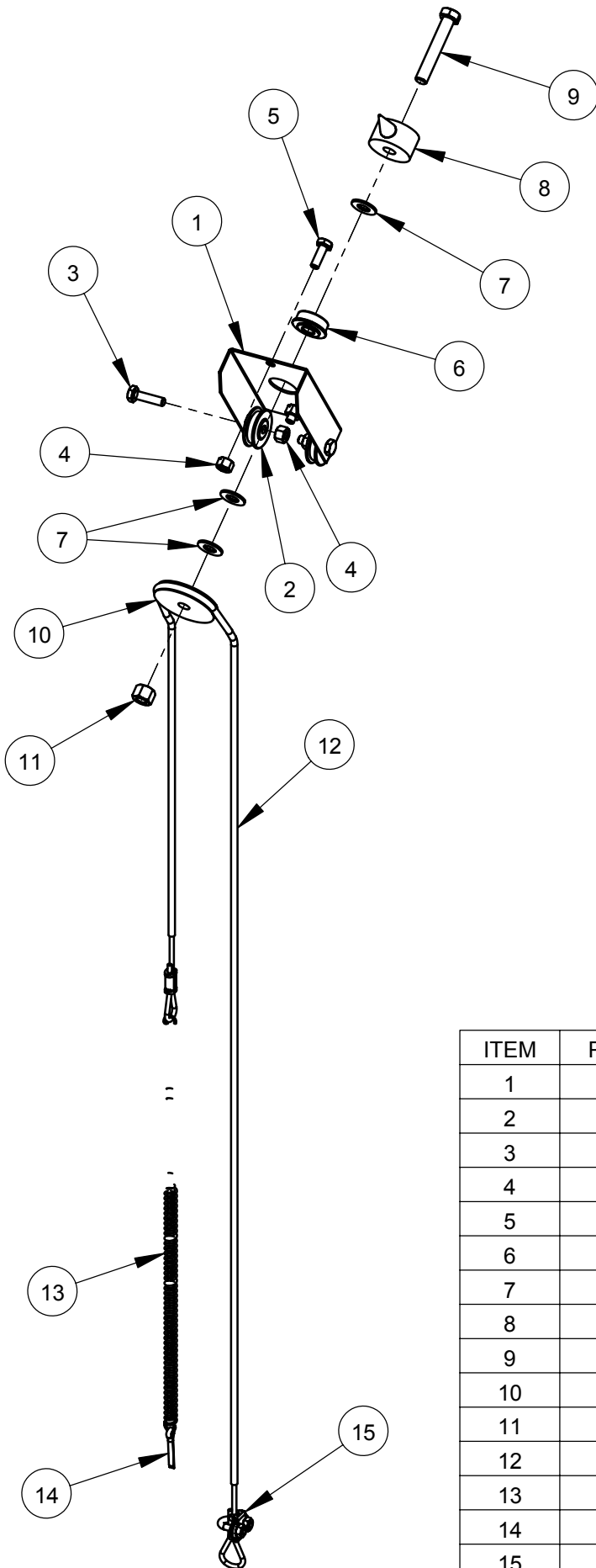
ITEM	PART NO.	QTY.	DESCRIPTION
1	6010670	1	Battery Platform
2	6010554	1	Battery Support Brace
3	2900019	5	Cap Screw, Hex Hd., 5/16-18 x 3/4"
4	2900022	5	Flat Washer, 5/16" SAE
5	2900039	4	Lock Nut, 5/16-18 Nylon
6	2900031	1	Lock Washer, 5/16" Split
7	6010017	1	Battery Top Brace
8	6010018	2	Rod, 1/4-20 x 8-1/2"
9	2900010	4	Lock Nut, 1/4-20 Nylon
10	6010016	1	Battery Pad
11	2700208	1	Battery, 12 Volt Group Size 34
12	2800073	1	Battery Cable, Positive (Red)
13	2800072	1	Battery Cable, Negative (Black)
14	2800095	1	Battery Cable, 14" Positive (Red)
15	2800182	1	Battery Cable, 14" Negative (Black)
16	2800256	1	Battery Boot, Large (Red)
17	2800257	1	Battery Boot, Large (Black)
18	2800197	2	Battery Boot, Small (Red)
19	2800198	2	Battery Boot, Small (Black)
20	2900014	2	Flat Washer, 3/8" SAE
21	2900006	2	Lock Washer, 3/8" Split
22	2900196	2	Cap Screw, Hex Hd., 3/8-16 x 3/4"

Hydraulic Pump Assembly #6011077
(Includes Items #1 - #11)



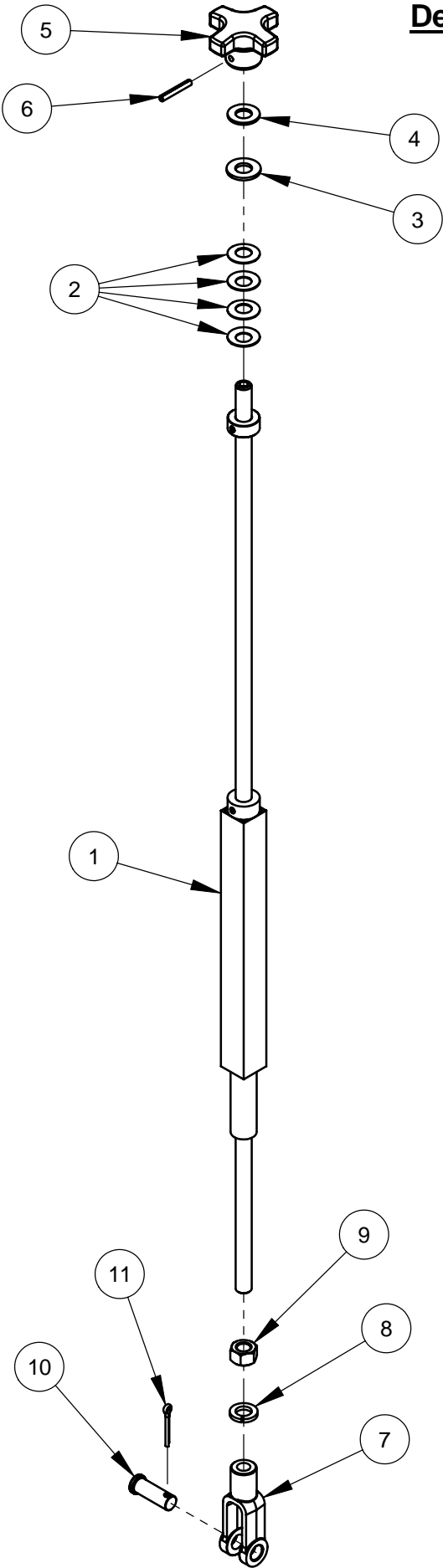
ITEM	PART NO.	QTY.	DESCRIPTION
1	2600070	1	Hydraulic Pump Unit
2	2700321	1	Breather Cap
3	3200120	1	Pipe Coupling, 3/8" NPT
4	3200123	1	Pipe Nipple, 3/8" NPT x 2"
5	3200115	1	Elbow, 3/8" O-Ring to 1/4" F. Pipe
6	3200060	1	Hex Nipple, 1/4" NPT
7	3200056	1	Flow Control Valve, 1/4" NPT
8	3200057	1	Elbow, 1/4" M. Pipe to 1/4" M. JIC
9	2900014	2	Flat Washer, 3/8" SAE
10	2900006	2	Lock Washer, 3/8" Split
11	2900005	2	Cap Screw, Hex Hd., 3/8-16 x 1"
12	3200116	1	Elbow, 1/4" O-Ring to 3/8" M. JIC
13	3200046	1	Fitting, 3/8" F. JIC to 3/8" Push Lock
14	6010059	1	Clear Hose, 3/8" I.D. x 19"

Depth Indicator Assembly #6010214



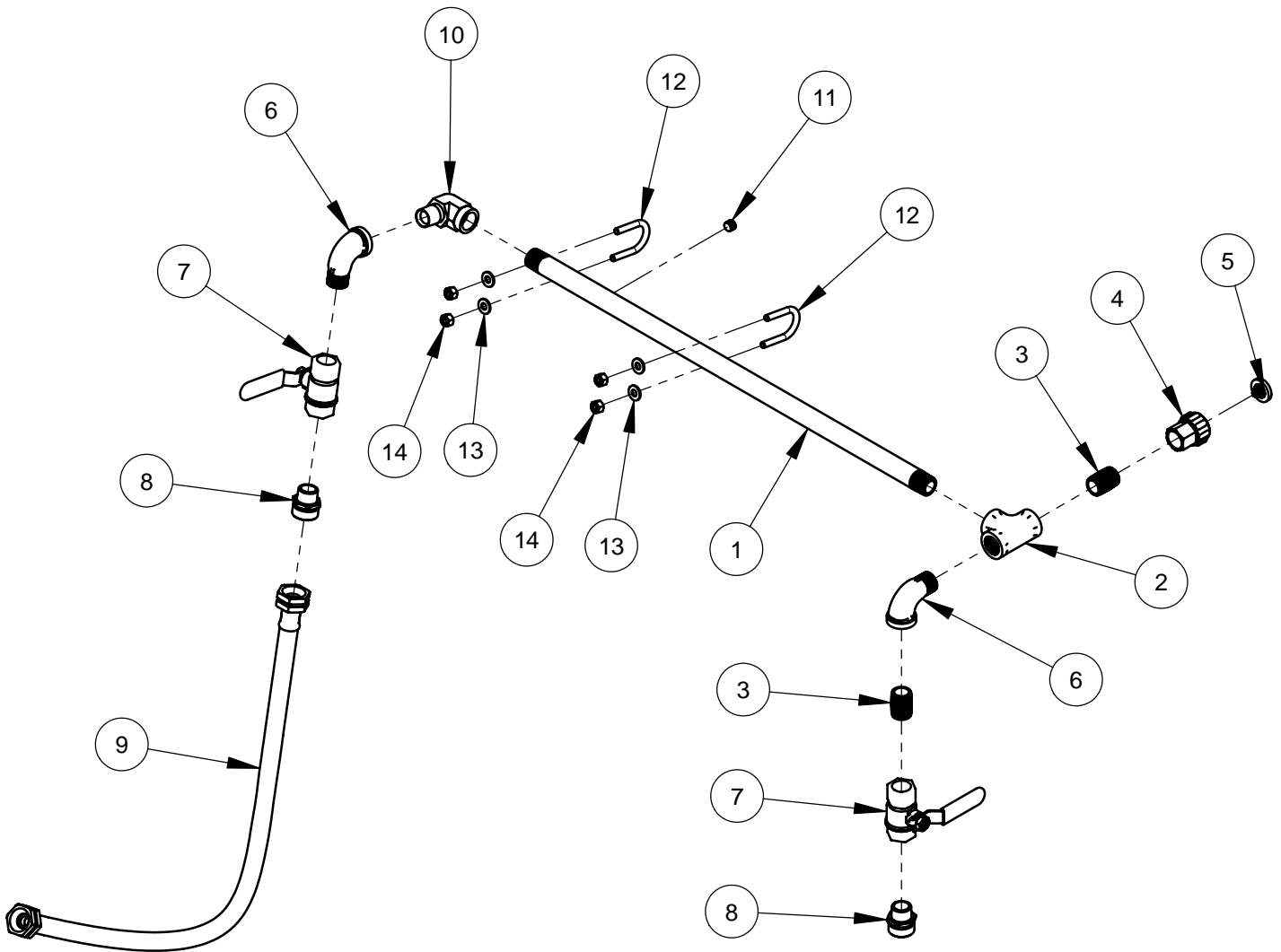
ITEM	PART NO.	QTY.	DESCRIPTION
1	6010092	1	Depth Indicator Mount Bracket
2	2500155	2	Cable Pulley, 1-1/4"
3	2900008	2	Cap Screw, Hex Hd., 1/4-20 x 1"
4	2900010	4	Lock Nut, 1/4-20 Nylon
5	2900144	2	Cap Screw, Hex Hd., 1/4-20 x 3/4"
6	2500145	1	Flange Bearing, 3/8"
7	2900014	3	Flat Washer, 3/8" SAE
8	6010091	1	Depth Indicator Pointer
9	2900079	1	Cap Screw, Hex Hd., 3/8-16 x 2-1/4"
10	6010093	1	Cable Pulley, 2"
11	2900018	1	Lock Nut, 3/8-16 Nylon
12	6010094	1	Depth Indicator Cable with Crimp, 48"
13	2500196	1	Spring, 3/8" x 15"
14	2900055	1	Cotter Pin, 3/16" x 1"
15	2500214	1	Cable Clamp

Depth Stop Assembly #6010215



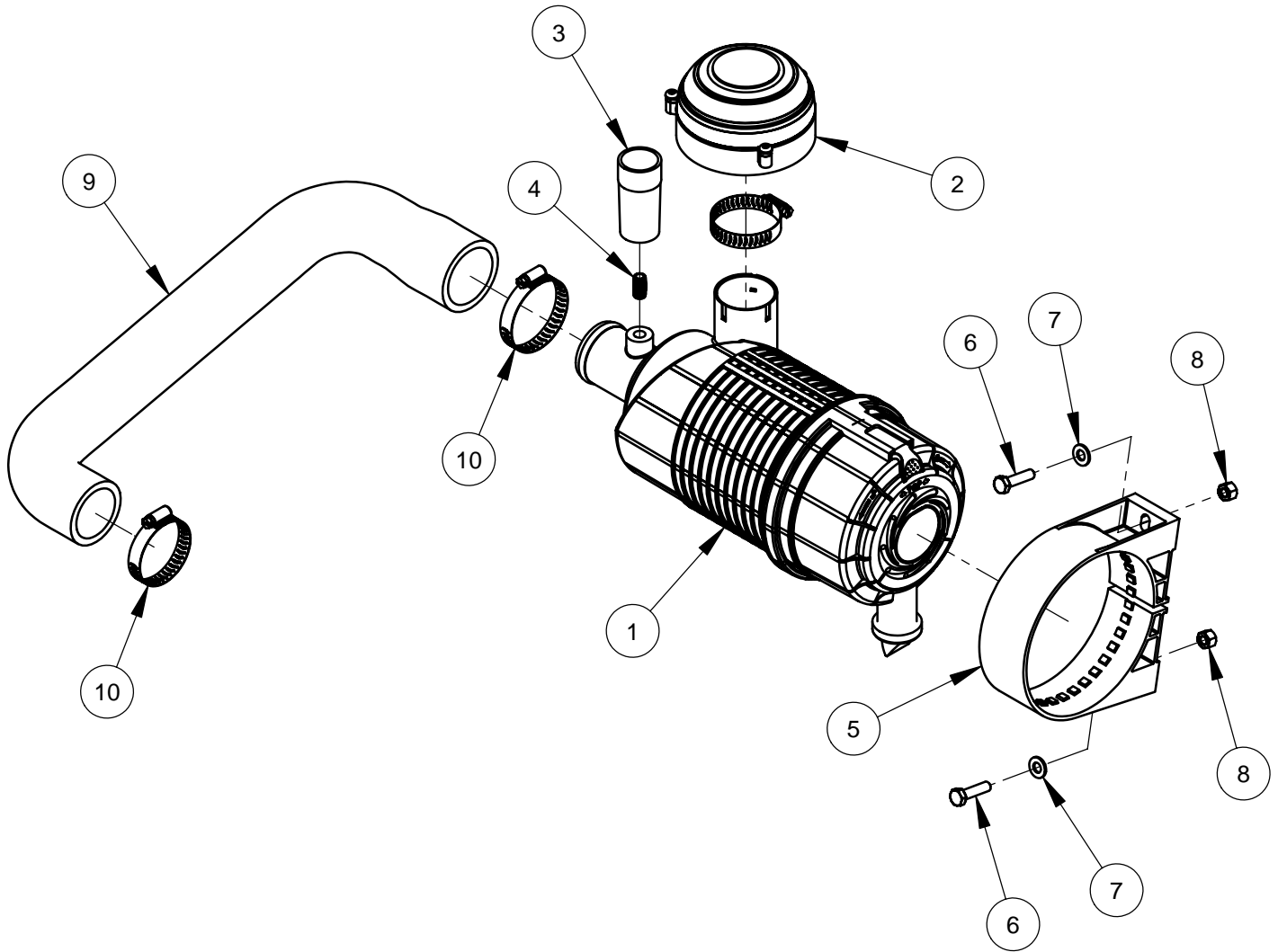
ITEM	PART NO.	QTY.	DESCRIPTION
1	6010097	1	Depth Stop Weldment
2	2900665	4	Belleville Washer, 1/2"
3	2900058	1	Flat Washer, 1/2" SAE
4	2900239	1	Friction Washer, 1/2"
5	6010095	1	Depth Stop Knob
6	2900132	1	Roll Pin, 3/16" x 1-1/4"
7	2900158	1	Yoke, 1/2-13
8	2900084	1	Lock Washer, 1/2" Split
9	2900037	1	Hex Nut, 1/2-13
10	2900007	1	Clevis Pin, 1/2" Dia. x 1-3/8"
11	2900004	1	Cotter Pin, 1/8" x 1"

Water Supply Assembly #6011419



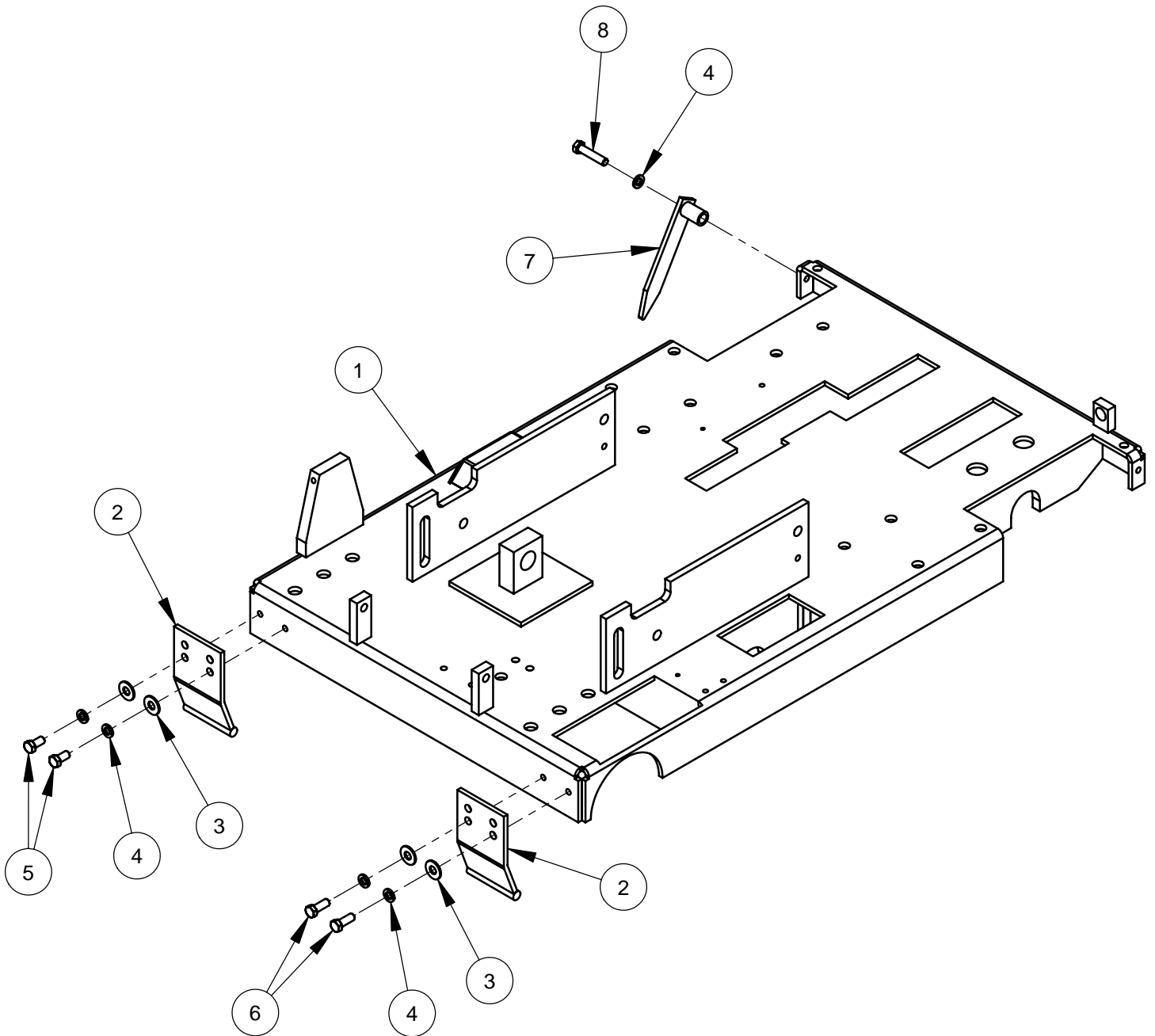
ITEM	PART NO.	QTY.	DESCRIPTION
1	6090067	1	Water Supply Tube
2	3200045	1	Pipe Tee, 1/2" NPT
3	3200008	2	Close Nipple, 1/2" NPT
4	3200022	1	Fitting, 1/2" F. Pipe to 3/4" F. Garden
5	3200025	1	Hose Filter Washer
6	3200013	2	Street Elbow, 1/2" NPT
7	3200027	2	Water Valve
8	3200155	2	Fitting, 1/2" M. Pipe to 3/4" M. Garden
9	6011055	1	Water Hose Assembly, 30" Long
10	3200173	1	Street Elbow, 1/2" NPT Steel
11	3200001	1	Plug, 1/8" NPT
12	2900241	2	U-Bolt, 1/2" Pipe
13	2900009	4	Flat Washer, 1/4" SAE
14	2900010	4	Lock Nut, 1/4-20 Nylon

Air Intake Assembly #6011420



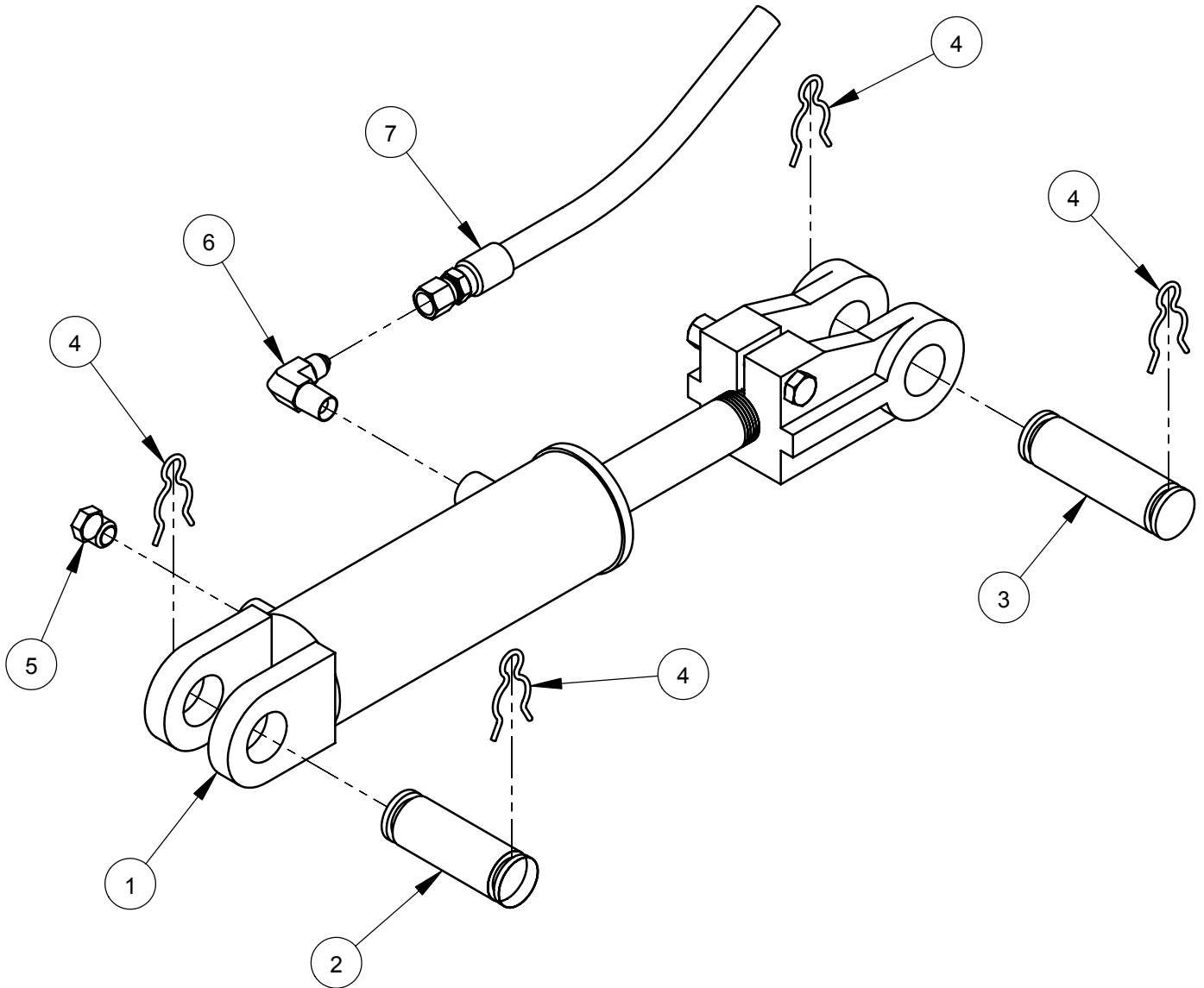
ITEM	PART NO.	QTY.	DESCRIPTION
1	2500985	1	Air Cleaner Complete
	2501211	1	Outer Primary Filter
	2501212	1	Inner Safety Filter
	2501213	1	Rubber Dust Ejector Boot
2	2500173	1	Pre-Cleaner with Clamp
	3200095	1	Hose Clamp #32
3	2500423	1	Restriction Indicator
4	3200117	1	Close Nipple, 1/8" NPT
5	2500986	1	Mounting Band, Polymer
6	2900217	2	Cap Screw, Hex Hd., 5/16-18 x 1-1/4"
7	2900022	2	Flat Washer, 5/16" SAE
8	2900039	2	Lock Nut, 5/16-18 Nylon
9	2500469	1	Air Intake Hose
10	3200095	2	Hose Clamp #32

Frame Base Assembly #6011422



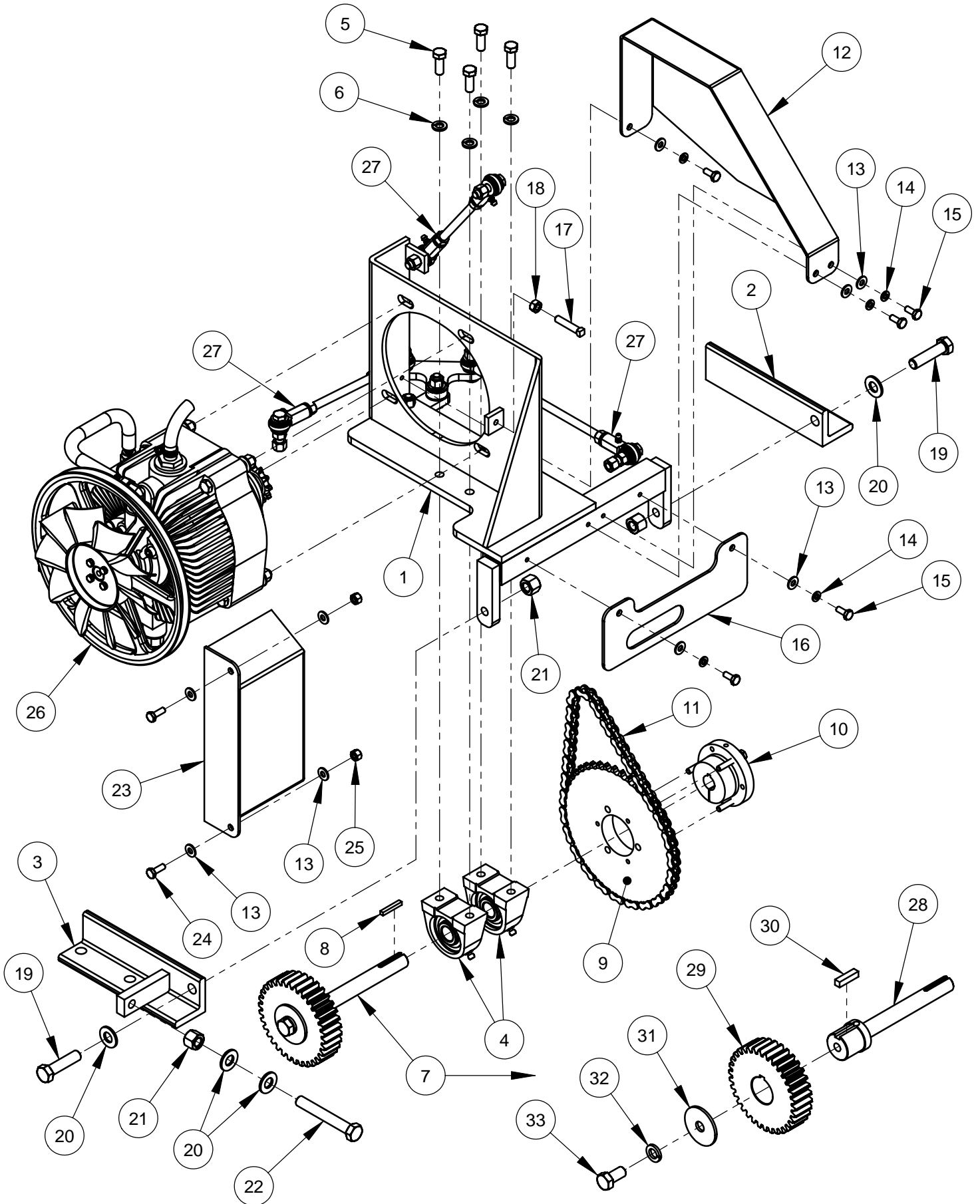
ITEM	PART NO.	QTY.	DESCRIPTION
1	6011400A	1	Frame Base
2	6011021	2	Skid Plate
3	2900473	4	Flat Washer, 3/8" USS
4	2900006	5	Lock Washer, 3/8" Split
5	2900196	2	Cap Screw, Hex Hd., 3/8-16 x 3/4"
6	2900005	2	Cap Screw, Hex Hd., 3/8-16 x 1"
7	6010022	1	Rear Pointer
8	2900047	1	Cap Screw, Hex Hd., 3/8-16 x 1-3/4"

Hydraulic Cylinder Assembly #6010714



ITEM	PART NO.	QTY.	DESCRIPTION
1	2500177	1	Hydraulic Cylinder
2	6010031	1	Cylinder Pin, 3"
3	6010119	1	Cylinder Pin, 3-1/2"
4	2900064	4	Hair Pin Cotter, 3/4"
5	3200067	1	Cylinder Breather, 1/4" NPT
6	3200057	1	Elbow, 1/4" M. Pipe to 1/4" M. JIC
7	3200054	1	Hose Assembly, 32" Long

Rear Drive Assembly #6011423 (Eaton)

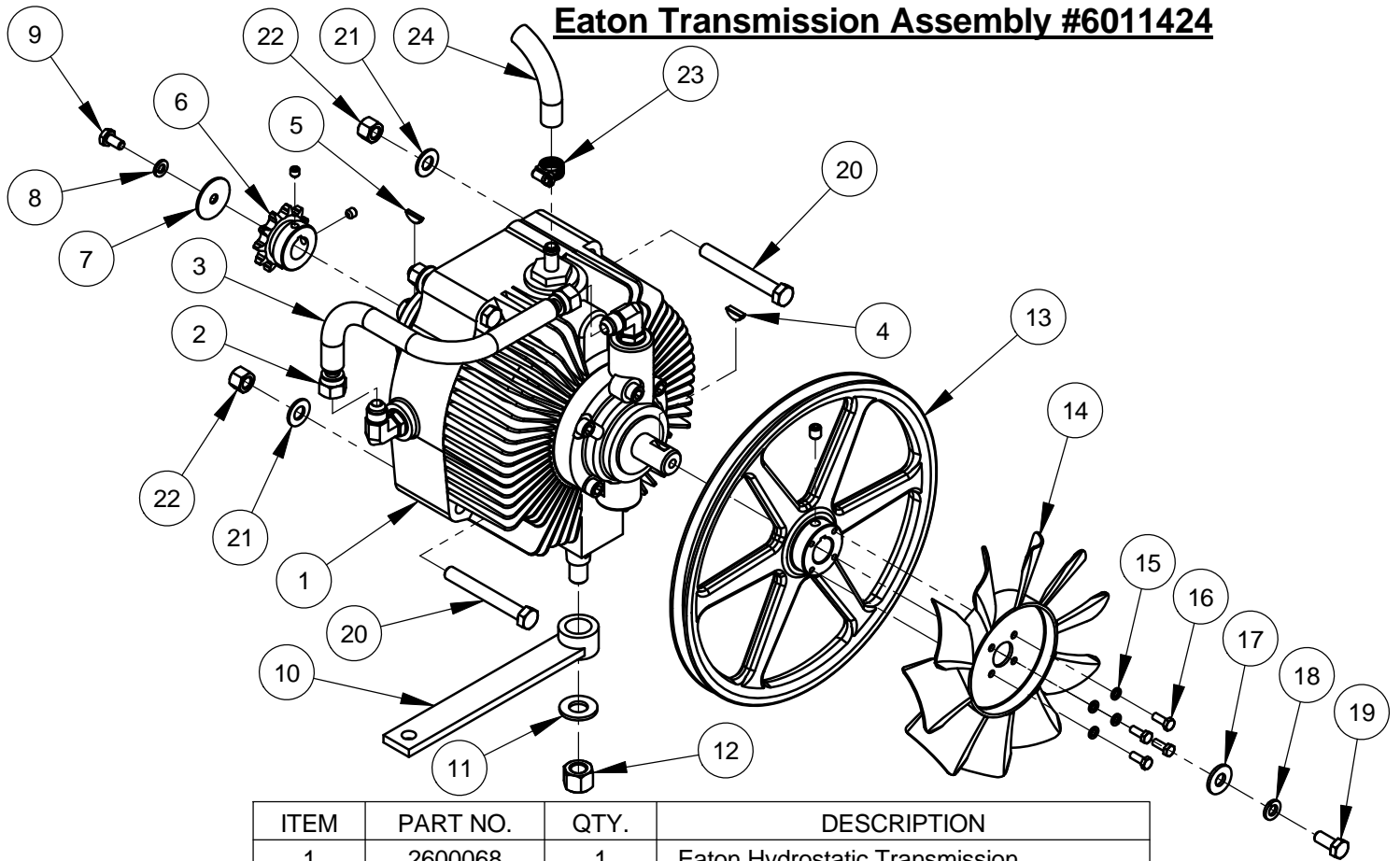


Rear Drive Assembly #6011423 (Eaton)

ITEM	PART NO.	QTY.	DESCRIPTION
1	6010068	1	Transmission Platform Weldment
2	6010027	1	Mount Foot, Right Hand
3	6011408	1	Mount Foot, Adjustable
4	2500159	2	Pillow Block Bearing, 3/4"
5	2900005	4	Cap Screw, Hex Hd., 3/8-16 x 1"
6	2900006	4	Lock Washer, 3/8" Split
7	6011442	1	Transmission Jackshaft Assembly
8	6048229	1	Key, 3/16" Sq. x 1-1/4"
9	2500148	1	Sprocket, #40 x 45 Tooth
10	2500149	1	QD Bushing, SDS x 3/4" w/Fasteners
11	6010069	1	Chain, #40 x 56 Pitch
12	6010671	1	Chain Guard
13	2900009	9	Flat Washer, 1/4" SAE
14	2900024	5	Lock Washer, 1/4" Split
15	2900023	5	Cap Screw, Hex Hd., 1/4-20 x 5/8"
16	6010679	1	Gear Guard
17	2900140	1	Set Screw, Sq. Hd., 5/16-18 x 1-1/2"
18	2900141	1	Hex Nut, 5/16-18
19	2900106	2	Cap Screw, Hex Hd., 1/2-13 x 2"
20	2900058	4	Flat Washer, 1/2" SAE
21	2900026	3	Lock Nut, 1/2-13 Nylon
22	2900542	1	Tap Bolt, Hex Hd., 1/2-13 x 3-1/2"
23	6011409	1	Fan Guard
24	2900144	2	Cap Screw, Hex Hd., 1/4-20 x 3/4"
25	2900010	2	Lock Nut, 1/4-20 Nylon
26	6011424	1	Eaton Transmission Assembly
27	6011425	1	Linkage Assembly

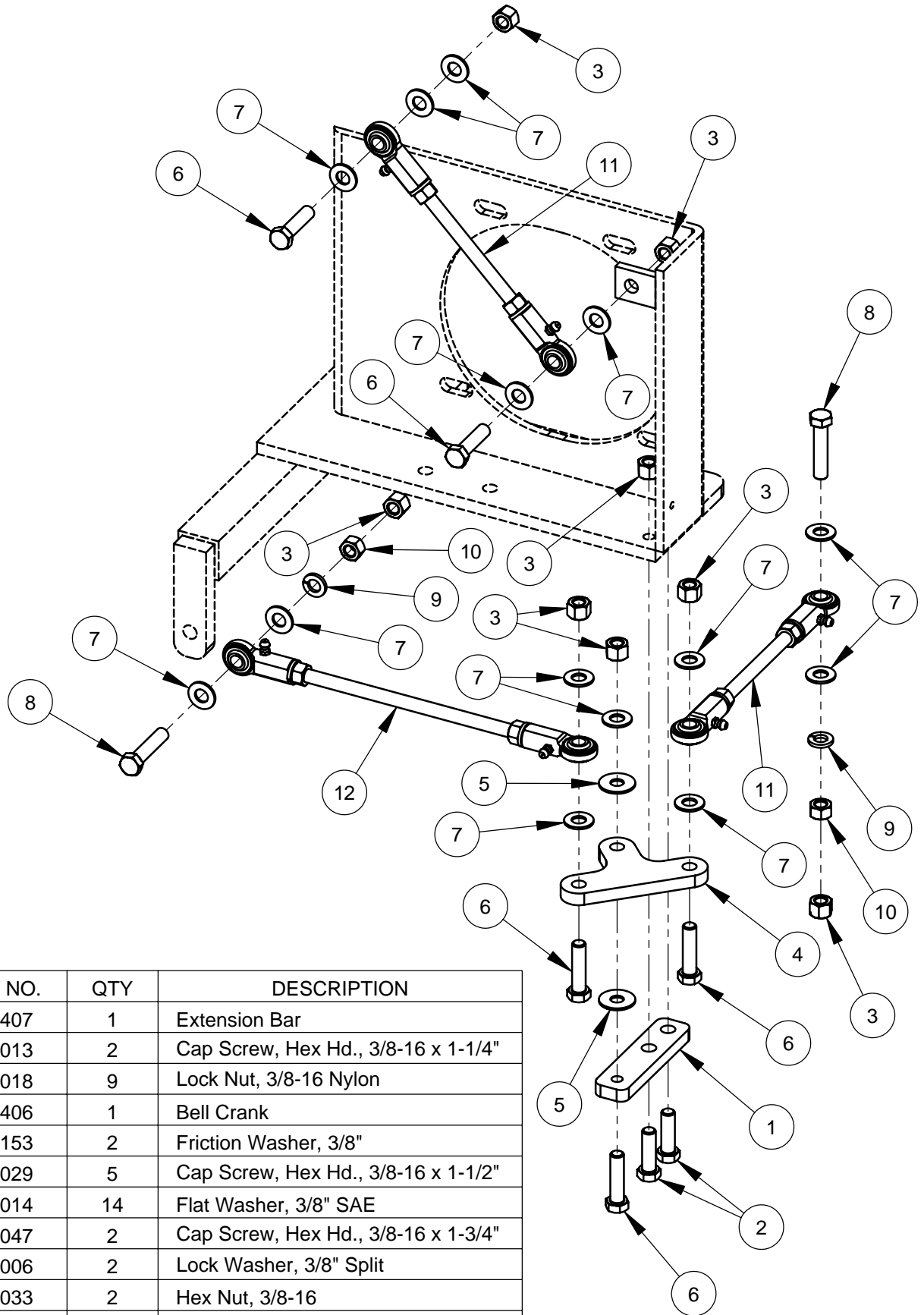
ITEM	PART NO.	QTY.	DESCRIPTION
28	6011443	1	Gear Jackshaft
29	6011444	1	Spur Gear, 34 Tooth
30	2502531	1	Key, 5/16" Sq. x 1-1/4"
31	2900854	1	Fender Washer, 1/2" x 2"
32	2900084	1	Lock Washer, 1/2" Split
33	2900086	1	Cap Screw, Hex Hd., 1/2-13 x 1"

Eaton Transmission Assembly #6011424



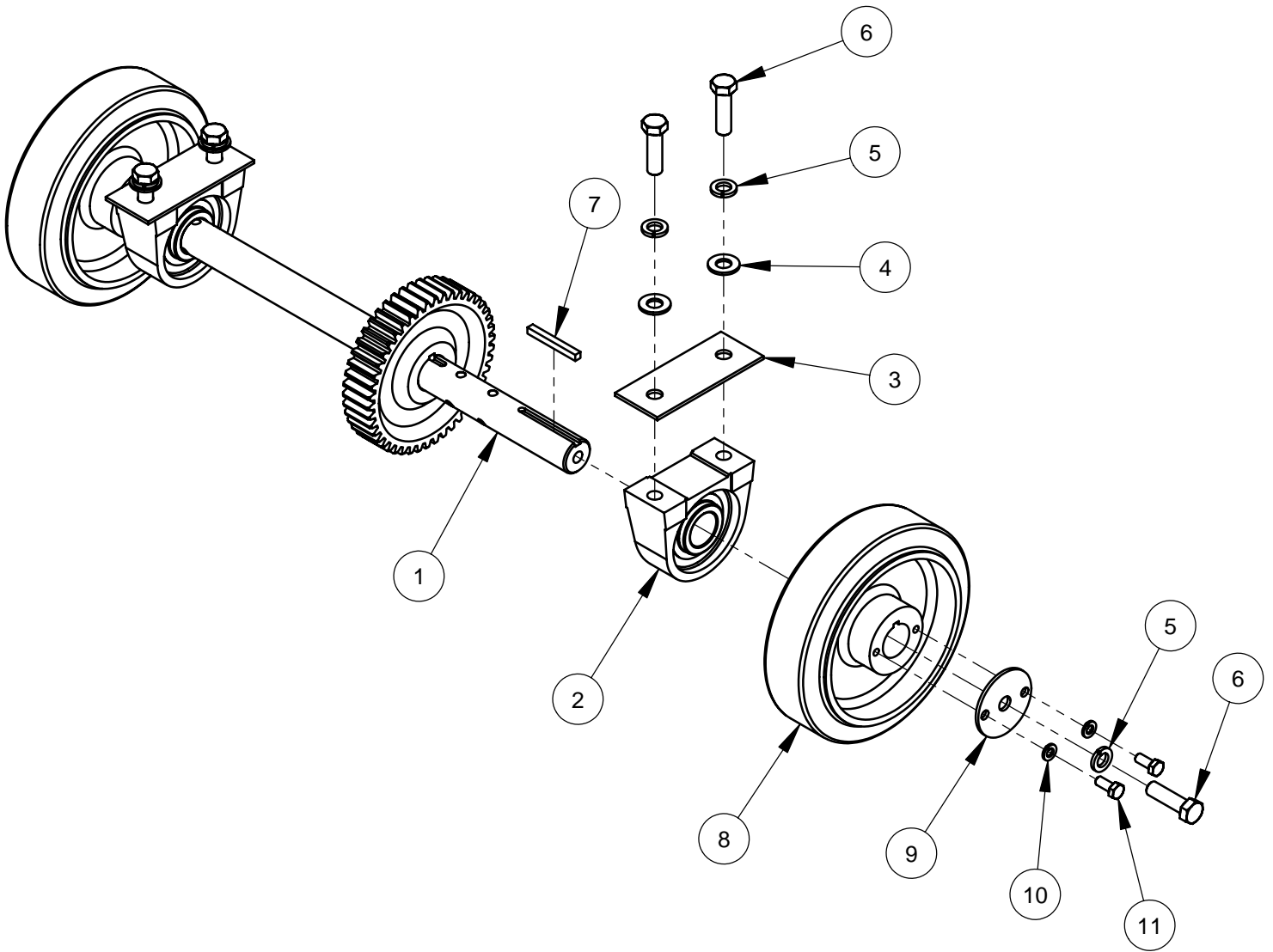
ITEM	PART NO.	QTY.	DESCRIPTION
1	2600068	1	Eaton Hydrostatic Transmission
2	3200046	2	Fitting, 3/8" F. JIC to 3/8" Push Lock
3	6010060	1	Oil Recirculation Hose, 3/8" I.D. x 9"
4	2900143	1	Woodruff Key #61, 3/16" x 5/8"
5	2900063	1	Woodruff Key #405, 1/8" x 5/8"
6	2500150	1	Sprocket, #40 x 11 Tooth w/Setscrews
7	2900083	1	Fender Washer, 1/4" x 1-1/4"
8	2900024	1	Lock Washer, 1/4" Split
9	2900082	1	Cap Screw, Hex Hd., 1/4-20 x 1/2"
10	6010064	1	Shift Lever
11	2900058	1	Flat Washer, 1/2" SAE
12	2900026	1	Lock Nut, 1/2-13 Nylon
13	6011411	1	Transmission Pulley 10" w/Setscrew
14	2500519	1	Cooling Fan, 7"
15	2900038	4	Lock Washer, #10 Split
16	2900448	4	Machine Screw, Hex Hd., #10-32 x 1/2"
17	2900567	1	Flat Washer, 5/16" USS
18	2900031	1	Lock Washer, 5/16" Split
19	2900019	1	Cap Screw, Hex Hd., 5/16-18 x 3/4"
20	2900035	4	Cap Screw, Hex Hd., 3/8-16 x 3"
21	2900014	4	Flat Washer, 3/8" SAE
22	2900018	4	Lock Nut, 3/8-16 Nylon
23	3200062	1	Hose Clamp #4
24	6010059	1	Clear Hose, 3/8" I.D. x 19"

Linkage Assembly #6011425



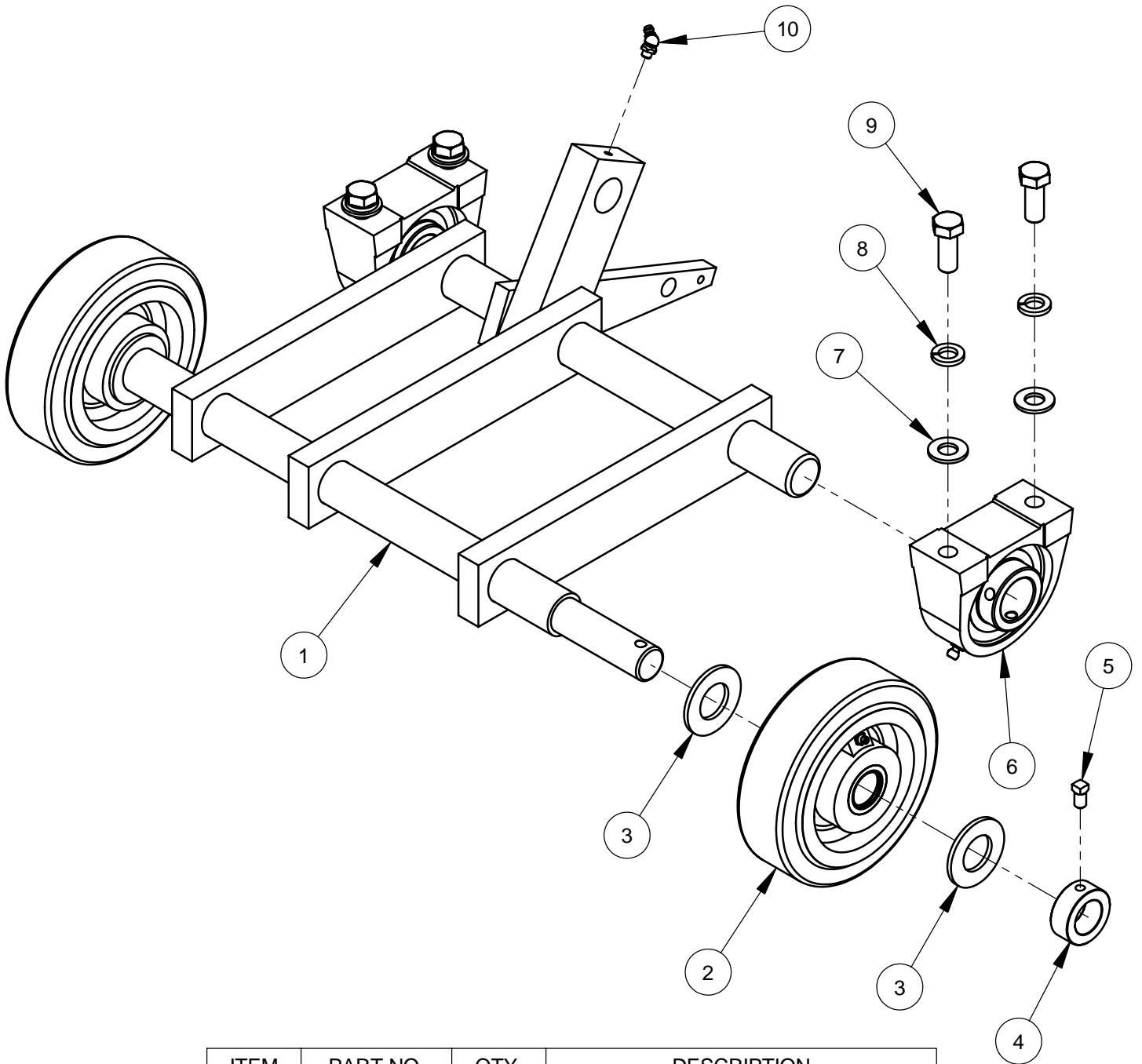
ITEM	PART NO.	QTY	DESCRIPTION
1	6011407	1	Extension Bar
2	2900013	2	Cap Screw, Hex Hd., 3/8-16 x 1-1/4"
3	2900018	9	Lock Nut, 3/8-16 Nylon
4	6011406	1	Bell Crank
5	2900153	2	Friction Washer, 3/8"
6	2900029	5	Cap Screw, Hex Hd., 3/8-16 x 1-1/2"
7	2900014	14	Flat Washer, 3/8" SAE
8	2900047	2	Cap Screw, Hex Hd., 3/8-16 x 1-3/4"
9	2900006	2	Lock Washer, 3/8" Split
10	2900033	2	Hex Nut, 3/8-16
11	6011412	2	Linkage Assembly 7-3/4"
12	6012095	1	Linkage Assembly 10-1/2"

Rear Axle Assembly #6011402 (Eaton / Gear)



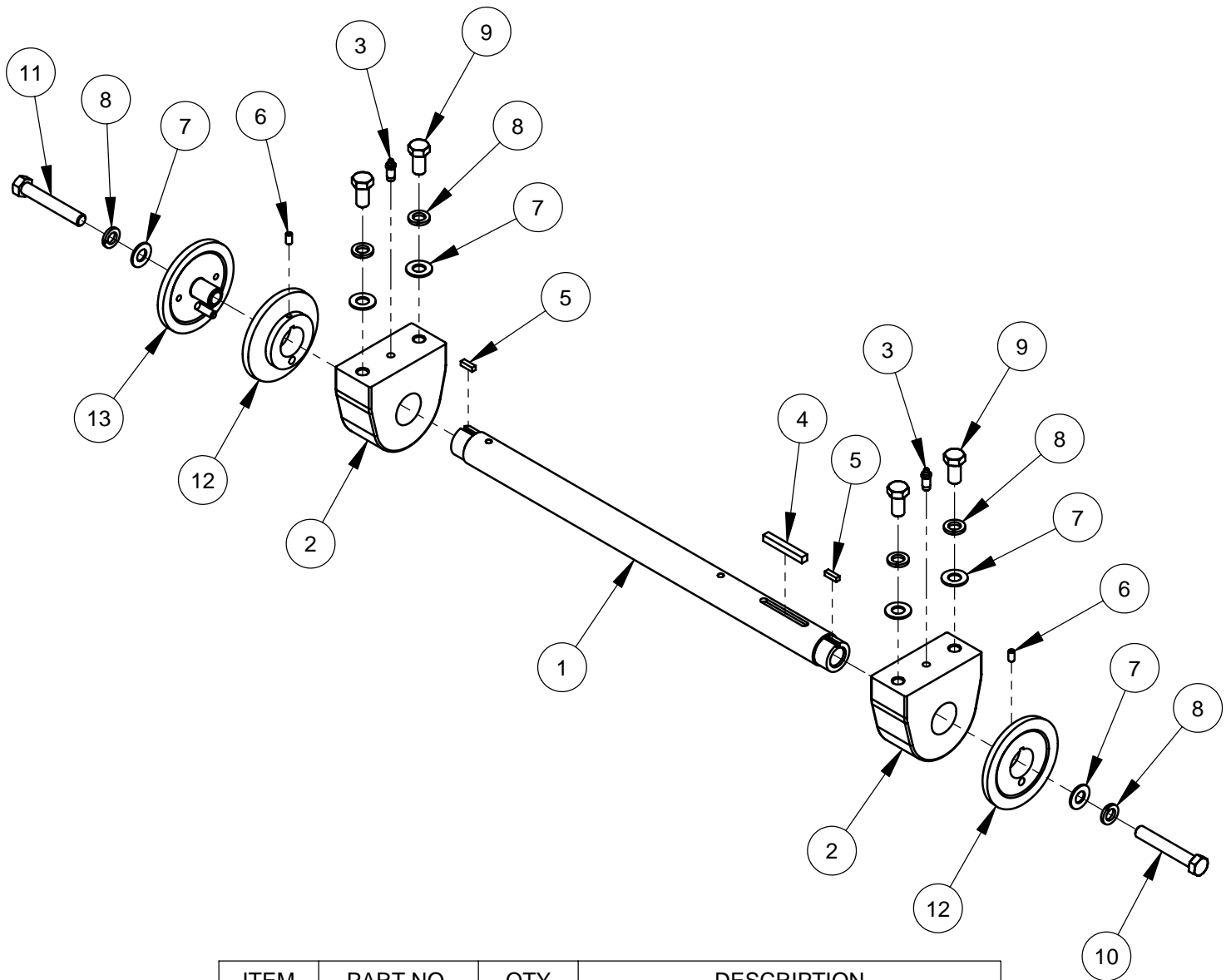
ITEM	PART NO.	QTY.	DESCRIPTION
1	6011403	1	Rear Axle Weldment w/46 Tooth Gear
2	2500158	2	Pillow Block Bearing 1-1/4"
3	6010024	2	Rear Axle Bearing Spacer, 1/8"
4	2900058	4	Flat Washer, 1/2" SAE
5	2900084	6	Lock Washer, 1/2" Split
6	2900139	6	Cap Screw, Hex Hd., 1/2-13 x 1-3/4"
7	6048134	2	Key, 1/4" Sq. x 2-1/4"
8	6011019	2	Wheel, 8" Rear
9	6010026	2	Wheel Mount Washer
10	2900031	4	Lock Washer, 5/16" Split
11	2900019	4	Cap Screw, Hex Hd., 5/16-18 x 3/4"

Front Axle Assembly #6011070



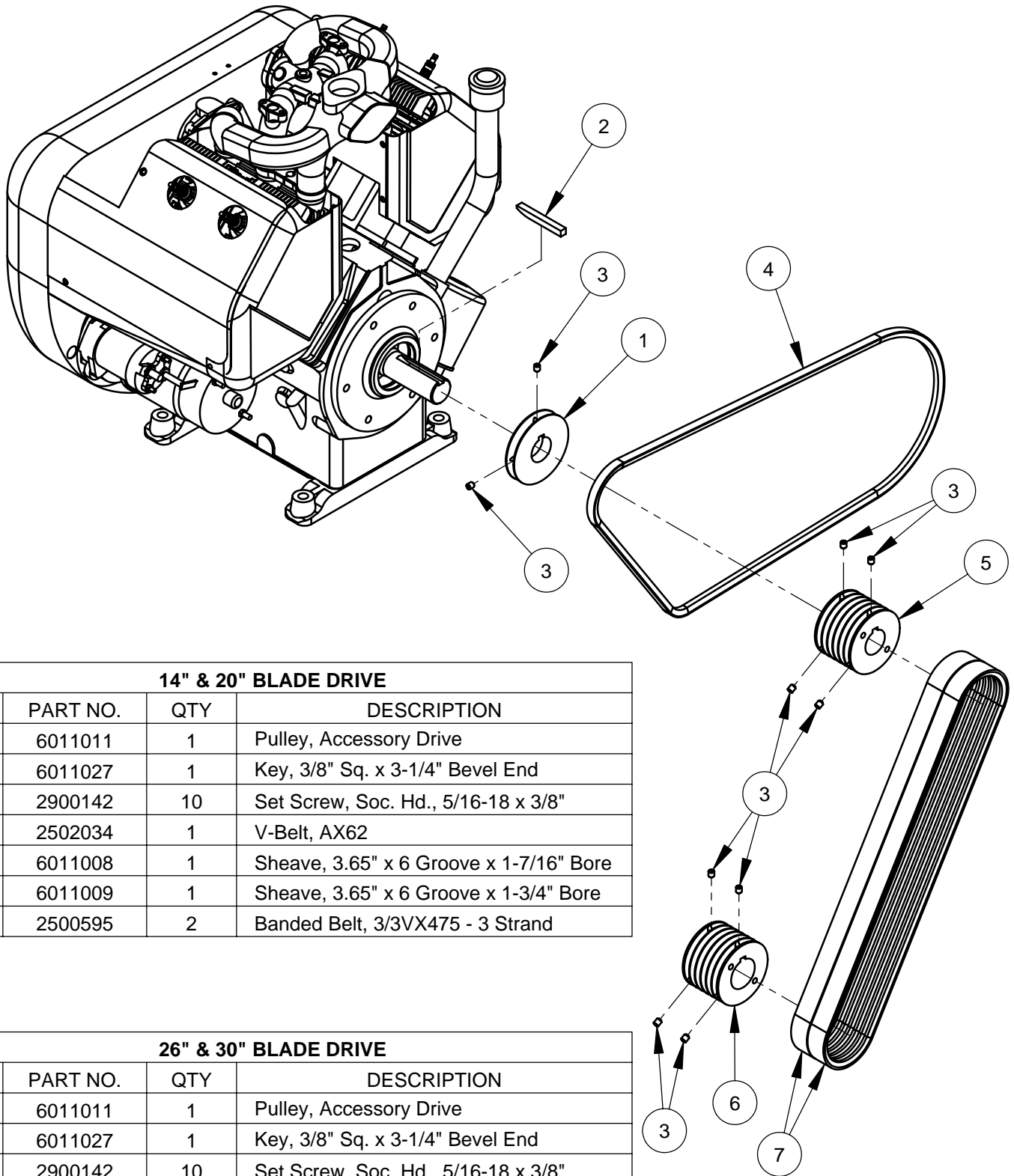
ITEM	PART NO.	QTY.	DESCRIPTION
1	6011003	1	Front Axle Weldment
2	2500299	2	Wheel, 6" Front
3	2900295	4	Flat Washer, 1" SAE
4	2500009	2	Set Collar, 1" ID
5	2900431	2	Set Screw, Sq. Hd., 5/16-18 x 1/2"
6	2500158	2	Pillow Block Bearing 1-1/4"
7	2900058	4	Flat Washer, 1/2" SAE
8	2900084	4	Lock Washer, 1/2" Split
9	2900025	4	Cap Screw, Hex Hd., 1/2-13 x 1-1/4"
10	2900184	1	Grease Fitting, 1/4" NPT x 45 degree

Blade Shaft Assembly #6011197



ITEM	PART NO.	QTY	DESCRIPTION
1	6011002	1	Blade Shaft
2	2500151	2	Blade Shaft Bearing, 1-3/4"
3	2900198	2	Grease Fitting, 1/8" NPT x 1-1/4"
4	6011058	1	Key, 3/8" Sq. x 2-3/4"
5	6010040	2	Key, 1/4" Sq. x 13/16"
6	2900418	2	Set Screw, Soc. Hd., 5/16-18 x 5/8"
7	2900002	6	Flat Washer, 5/8" SAE
8	2900113	6	Lock Washer, 5/8" Split
9	2900512	4	Cap Screw, Hex Hd., 5/8-11 x 1-1/4"
10	2900146	1	Cap Screw, Hex Hd., 5/8-11 x 4"
11	2900130	1	Cap Screw, Hex Hd., 5/8-11 x 4" LH
12	6010255	2	Inner Flange 5"
13	6047907	1	Outer Flange 5" with Pin
	2900197	1	Dowel Pin, 3/8" Dia. x 2"

Belt Drive Assembly #6011433



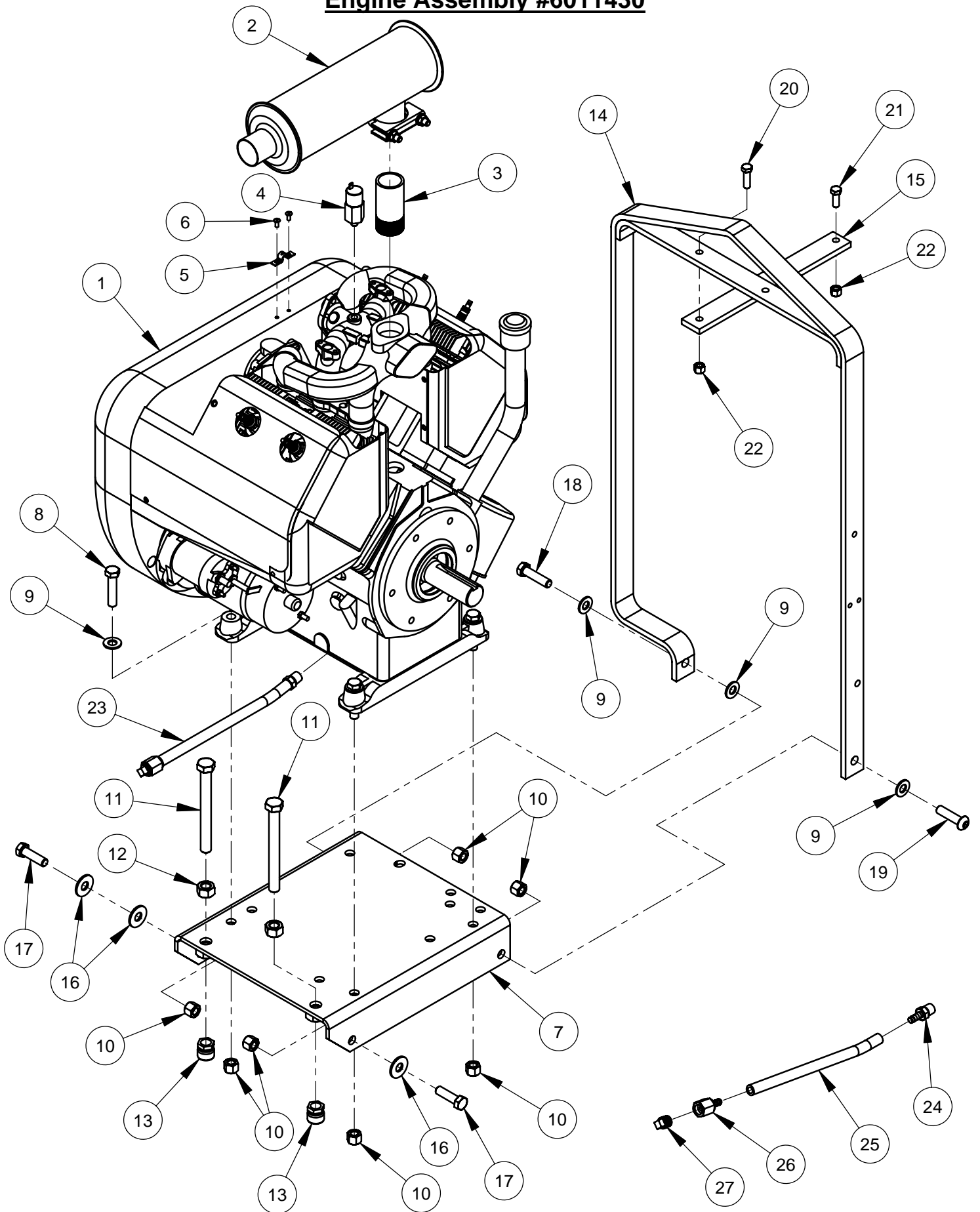
14" & 20" BLADE DRIVE

ITEM	PART NO.	QTY	DESCRIPTION
1	6011011	1	Pulley, Accessory Drive
2	6011027	1	Key, 3/8" Sq. x 3-1/4" Bevel End
3	2900142	10	Set Screw, Soc. Hd., 5/16-18 x 3/8"
4	2502034	1	V-Belt, AX62
5	6011008	1	Sheave, 3.65" x 6 Groove x 1-7/16" Bore
6	6011009	1	Sheave, 3.65" x 6 Groove x 1-3/4" Bore
7	2500595	2	Banded Belt, 3/3VX475 - 3 Strand

26" & 30" BLADE DRIVE

ITEM	PART NO.	QTY	DESCRIPTION
1	6011011	1	Pulley, Accessory Drive
2	6011027	1	Key, 3/8" Sq. x 3-1/4" Bevel End
3	2900142	10	Set Screw, Soc. Hd., 5/16-18 x 3/8"
4	2502034	1	V-Belt, AX62
5	6011084	1	Sheave, 3.12" x 6 Groove x 1-7/16" Bore
6	6011010	1	Sheave, 4.12" x 6 Groove x 1-3/4" Bore
7	2500595	2	Banded Belt, 3/3VX475 - 3 Strand

Engine Assembly #6011430

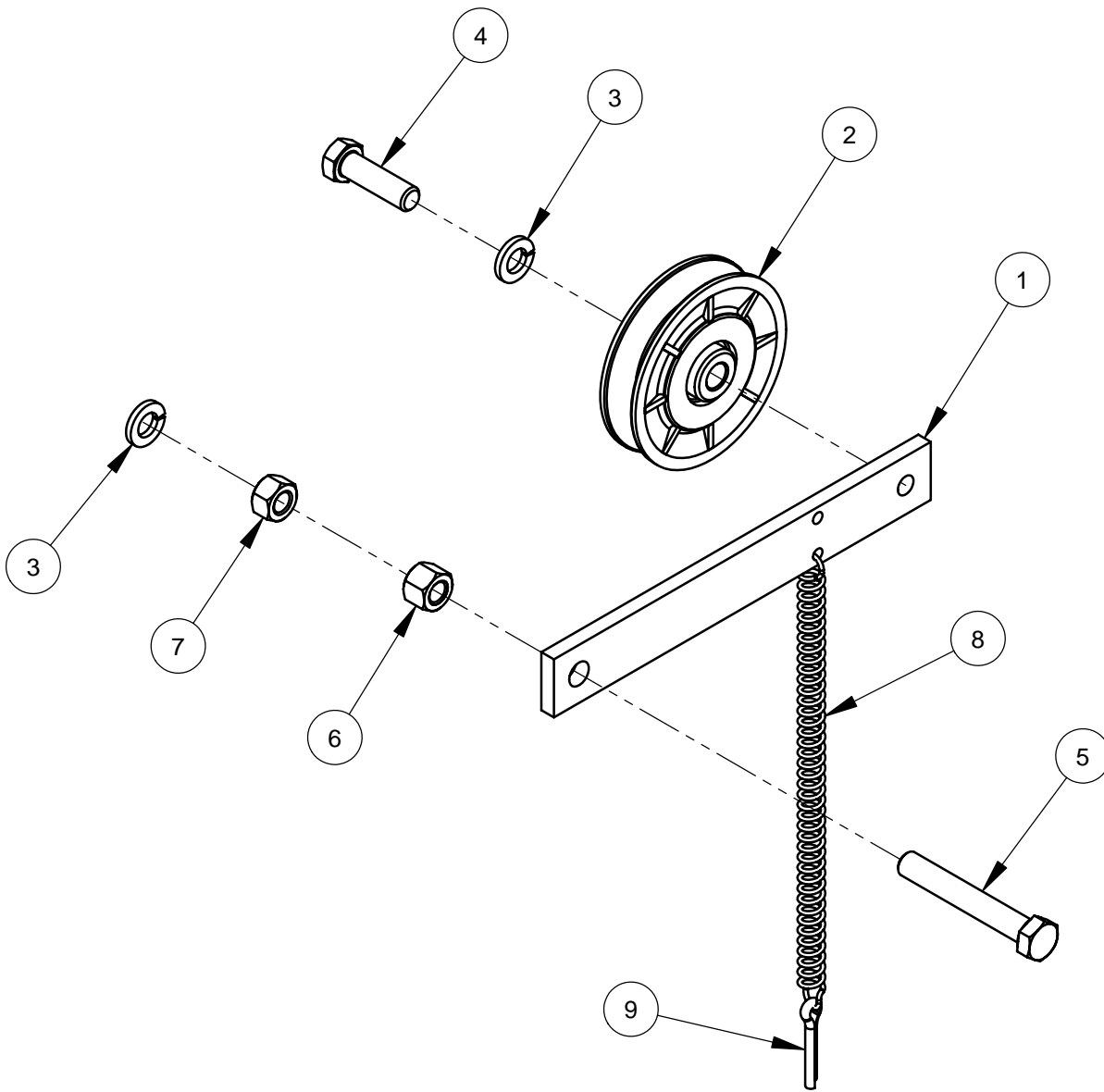


Engine Assembly #6011430

ITEM	PART NO.	QTY.	DESCRIPTION
1	2600052	1	Engine, 35hp Wisconsin Model W4-1770
2	2700491	1	Muffler with Clamp
3	3200151	1	Muffler Pipe Nipple 1-1/4"
4	2800386	1	Vacuum Switch
5	2500940	1	Throttle Cable Clamp
6	2900201	2	Rivet, 3/16" Dia.
7	6011005	1	Engine Base Weldment
8	2900192	4	Cap Screw, Hex Hd., 1/2-13 x 2-1/4"
9	2900058	7	Flat Washer, 1/2" SAE
10	2900026	8	Lock Nut, 1/2-13 Nylon
11	2900104	2	Tap Bolt, Hex Hd., 5/8-11 x 6"
12	2900112	2	Hex Nut, 5/8-11
13	2900446	2	Swivel Pad Nut, 5/8-11
14	6011022	1	Frame Lift
15	6010013	1	Frame Lift Brace
16	2900127	3	Flat Washer, 1/2" USS
17	2900139	2	Cap Screw, Hex Hd., 1/2-13 x 1-3/4"
18	2900106	1	Cap Screw, Hex Hd., 1/2-13 x 2"
19	2900288	1	Cap Screw, Button Hd., 1/2-13 x 2"
20	2900013	1	Cap Screw, Hex Hd., 3/8-16 x 1-1/4"
21	2900005	1	Cap Screw, Hex Hd., 3/8-16 x 1"
22	2900018	2	Lock Nut, 3/8-16 Nylon
23	6011065	1	Oil Drain Hose Assembly

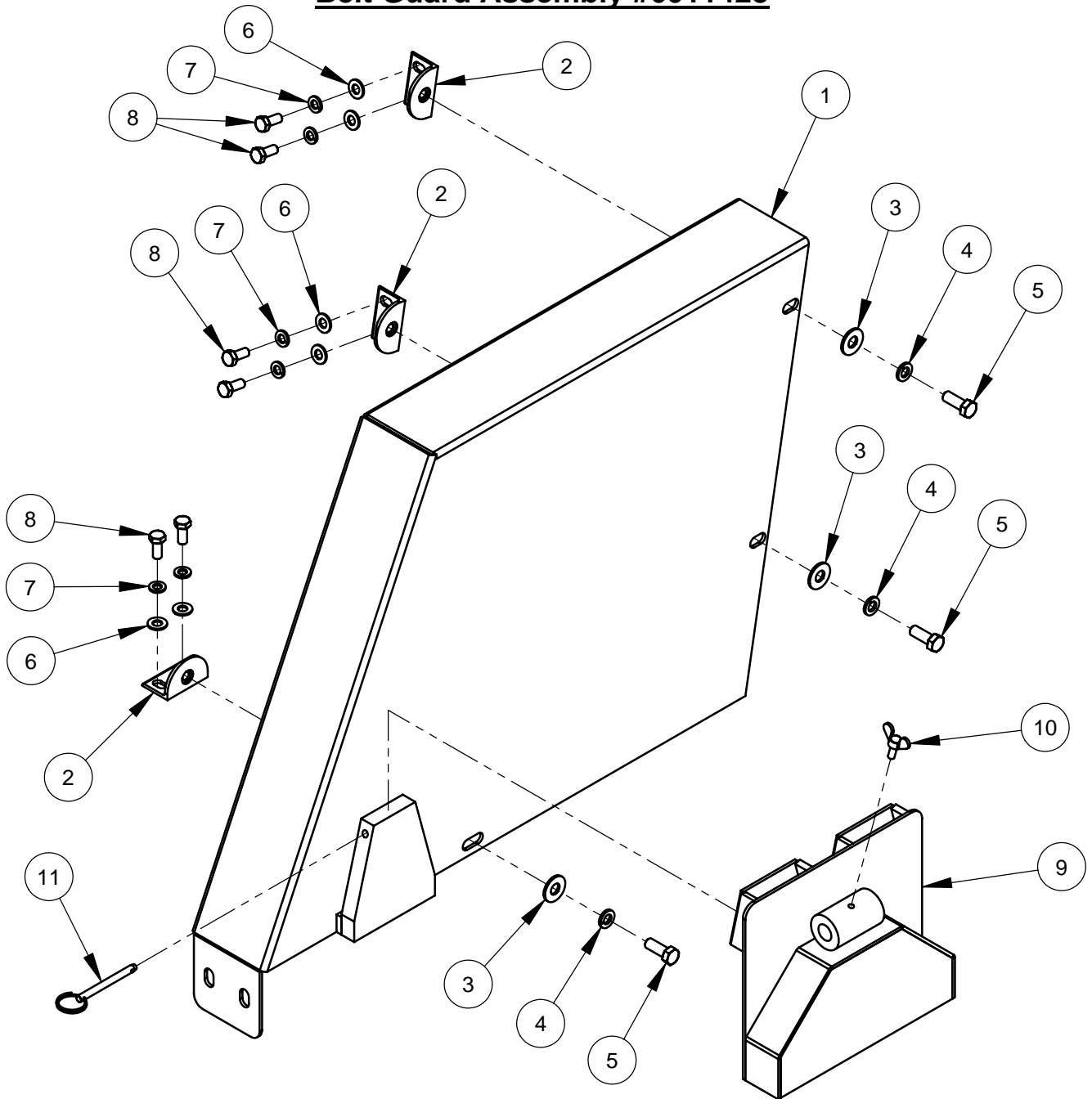
ITEM	PART NO.	QTY.	DESCRIPTION
24	3200165	1	Fitting, 3/8" M. Pipe to 3/8" Push Lock
25	6011075	1	Oil Drain Hose, 3/8" I.D. x 11"
26	3200164	1	Fitting, 3/8" F. Pipe to 3/8" Push Lock
27	3200153	1	Pipe Plug, 3/8" NPT

Idler Assembly #6010194



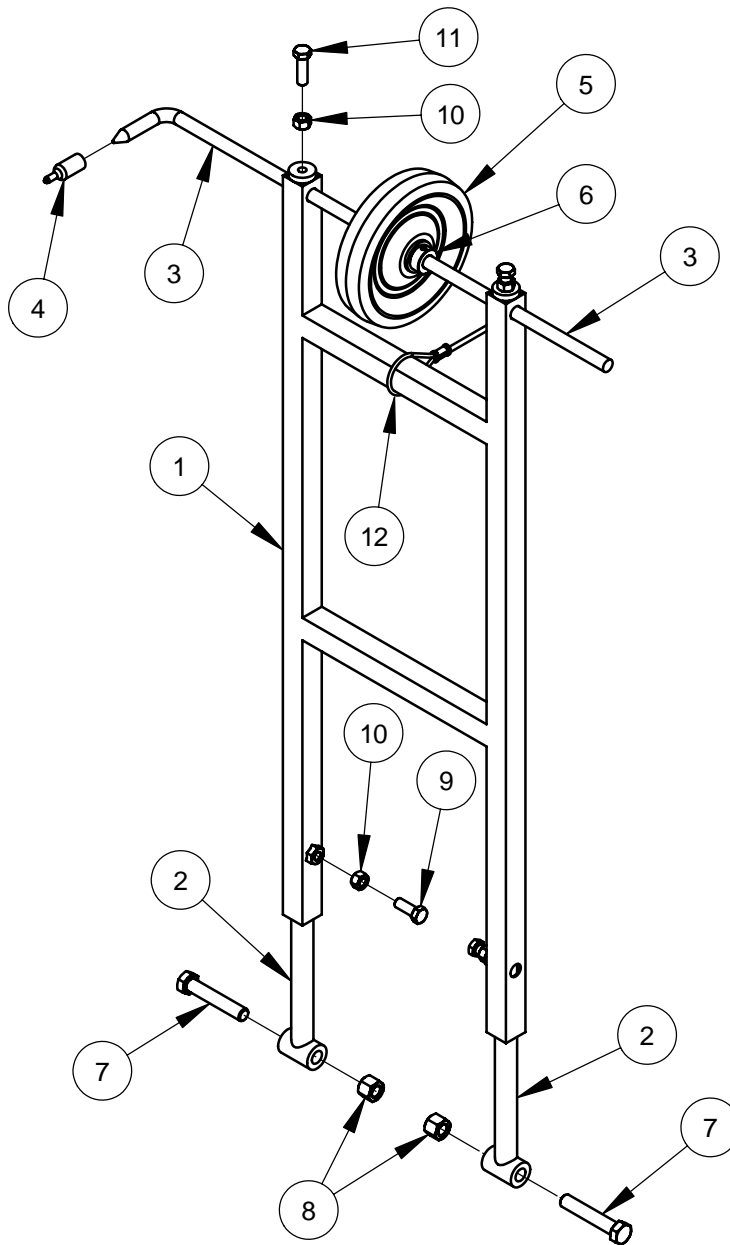
ITEM	PART NO.	QTY	DESCRIPTION
1	6048218	1	Idler Arm
2	2500074	1	Idler Pulley 3"
3	2900006	2	Lock Washer, 3/8" Split
4	2900013	1	Cap Screw, Hex Hd., 3/8-16 x 1-1/4"
5	2900521	1	Tap Bolt, Hex Hd., 3/8-16 x 2-1/2"
6	2900018	1	Lock Nut, 3/8-16 Nylon
7	2900033	1	Hex Nut, 3/8-16
8	2500195	1	Spring, 3/8" x 7-3/4"
9	2900055	1	Cotter Pin, 3/16" x 1"

Belt Guard Assembly #6011428



ITEM	PART NO.	QTY	DESCRIPTION
1	6011013A	1	Belt Guard Weldment
2	6010558	3	Guard Mounting Tab, 3/8-16
3	2900473	3	Flat Washer, 3/8" USS
4	2900006	3	Lock Washer, 3/8" Split
5	2900005	3	Cap Screw, Hex Hd., 3/8-16 x 1"
6	2900022	6	Flat Washer, 5/16" SAE
7	2900031	6	Lock Washer, 5/16" Split
8	2900019	6	Cap Screw, Hex Hd., 5/16-18 x 3/4"
9	6010555	1	Shaft/Flange Guard (Narrow)
10	2900307	1	Wing Screw, M6 x 16mm
11	2900156	1	Lock Pin with Ring

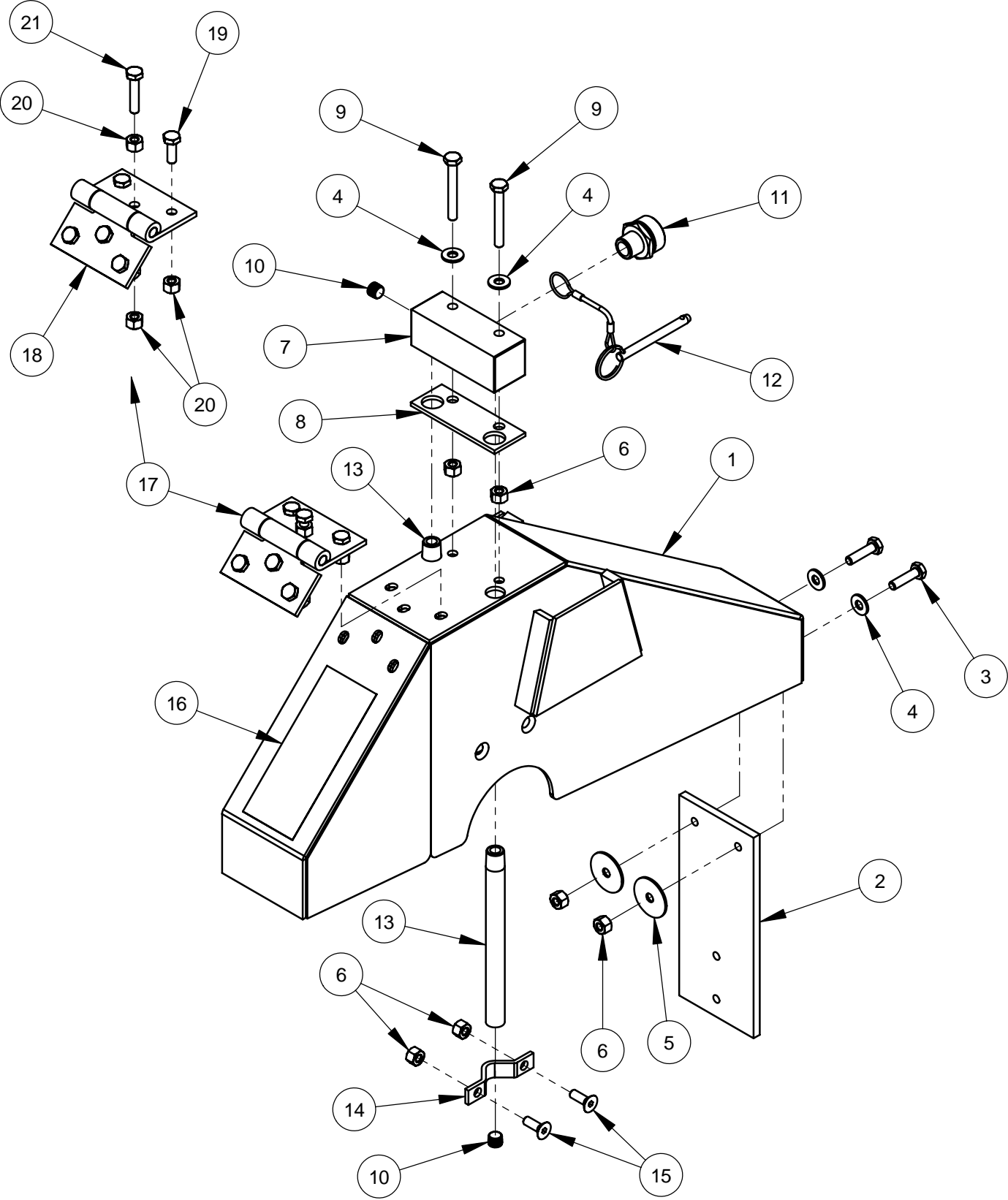
Front Pointer Assembly #6011220



ITEM	PART NO.	QTY.	DESCRIPTION
1	6010541	1	Front Pointer Frame
2	6011152	2	Front Pointer Arm
3	6010009	1	Front Pointer Rod
4	2500740	1	Pointer Cap
5	2501409	1	Wheel, 6"
6	2500007	2	Set Collar, 1/2" with Set Screw
7	2900105	2	Cap Screw, Hex Hd., 1/2-13 x 2-3/4"
8	2900026	2	Lock Nut, 1/2-13 Nylon
9	2900005	2	Cap Screw, Hex Hd., 3/8-16 x 1"
10	2900033	4	Hex Nut, 3/8-16
11	2900013	2	Cap Screw, Hex Hd., 3/8-16 x 1-1/4"
12	6011226	1	Pointer Lanyard

Notes

14" Blade Guard Assembly #6010600

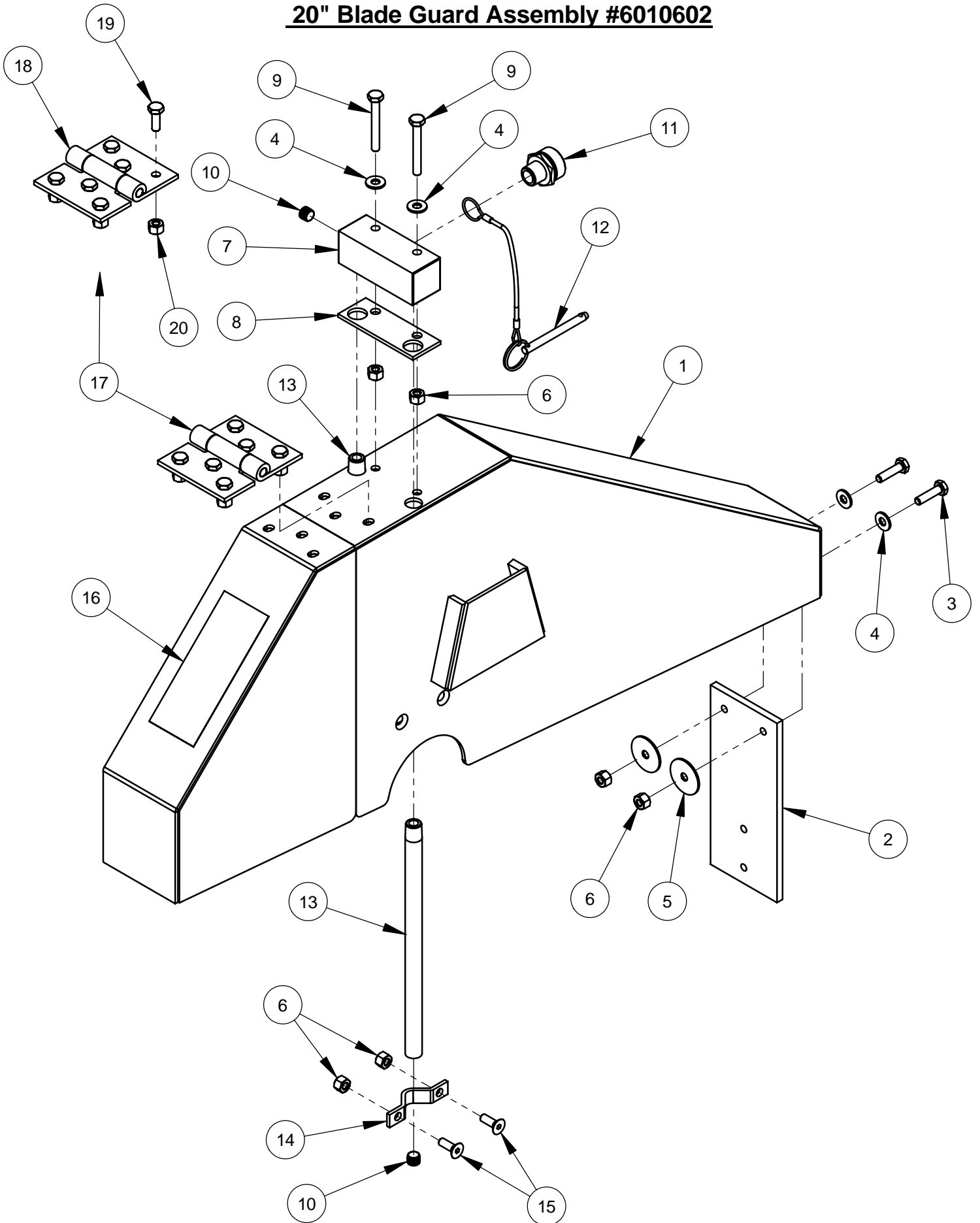


14" Blade Guard Assembly #6010600

ITEM	PART NO.	QTY.	DESCRIPTION
1	6010601	1	14" Blade Guard Front & Rear Only
2	6010081	1	Splash Flap
3	2900008	2	Cap Screw, Hex Hd., 1/4-20 x 1"
4	2900009	4	Flat Washer, 1/4" SAE
5	2900083	2	Fender Washer, 1/4" x 1-1/4"
6	2900010	8	Lock Nut, 1/4-20 Nylon
7	6010261	1	Water Manifold
8	2500830	1	Water Manifold Gasket
9	2900294	2	Cap Screw, Hex Hd., 1/4-20 x 2"
10	3200001	3	Plug, 1/8" NPT
11	3200002	1	Fitting, 3/4" M. Pipe to 3/4" M. Garden
12	2900278	1	Lanyard with Lock Pin
13	6048283	2	Water Tube for 14" Guard
14	6048155	2	Water Tube Clamp
15	2900020	4	Cap Screw, Flat Hd., 1/4-20 x 3/4"
16	1800001	1	Warning Label
17	6048150	1	Hinge Assembly for 14" Guard

ITEM	PART NO.	QTY.	DESCRIPTION
18	2500270	1	Blade Guard Hinge
19	2900144	5	Cap Screw, Hex Hd., 1/4-20 x 3/4"
20	2900010	7	Lock Nut, 1/4-20 Nylon
21	2900052	1	Cap Screw, Hex Hd., 1/4-20 x 1-1/4"

20" Blade Guard Assembly #6010602

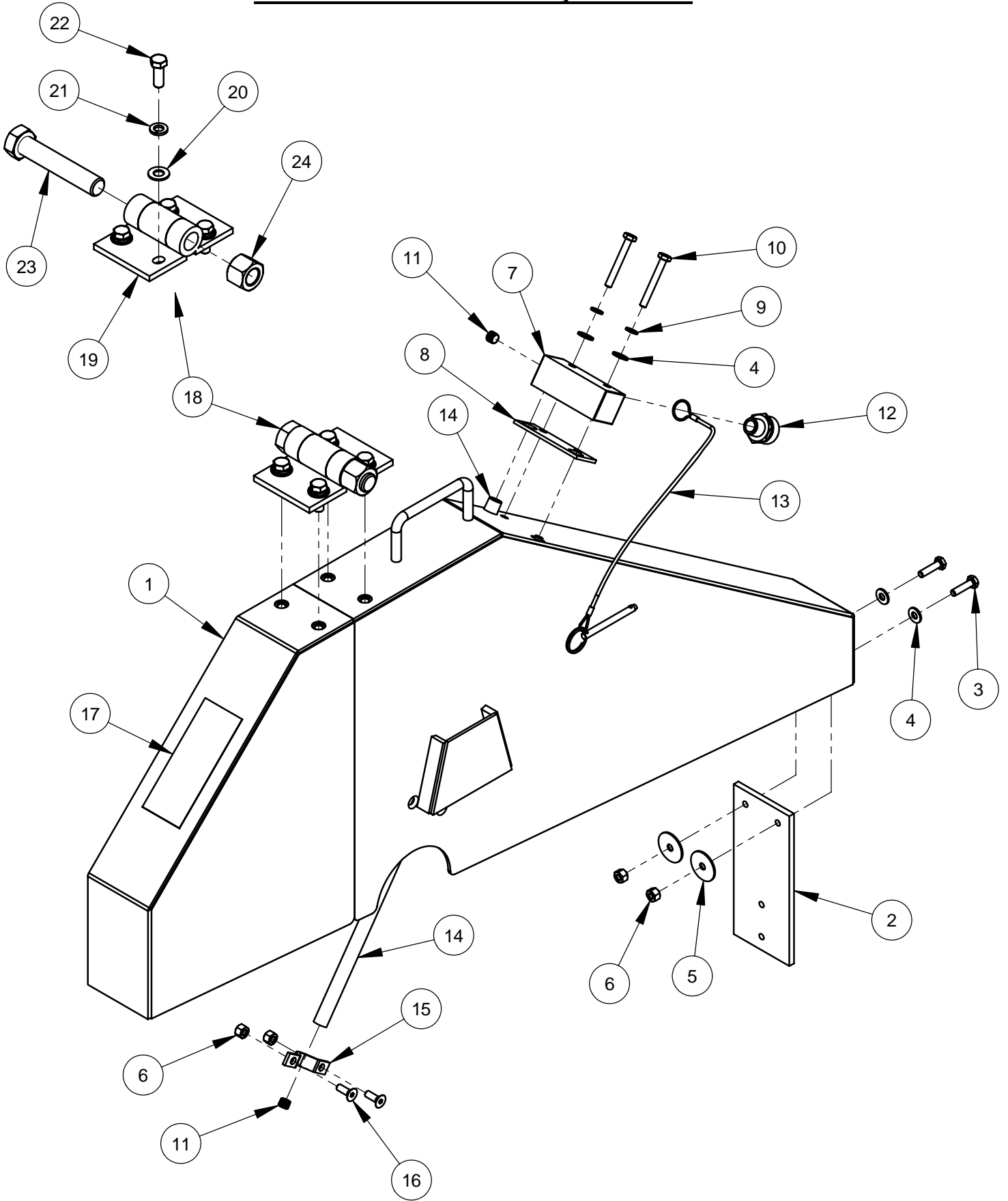


20" Blade Guard Assembly #6010602

ITEM	PART NO.	QTY.	DESCRIPTION
1	6010603	1	20" Blade Guard Front & Rear Only
2	6010081	1	Splash Flap
3	2900008	2	Cap Screw, Hex Hd., 1/4-20 x 1"
4	2900009	4	Flat Washer, 1/4" SAE
5	2900083	2	Fender Washer, 1/4" x 1-1/4"
6	2900010	8	Lock Nut, 1/4-20 Nylon
7	6010261	1	Water Manifold
8	2500830	1	Water Manifold Gasket
9	2900294	2	Cap Screw, Hex Hd., 1/4-20 x 2"
10	3200001	3	Plug, 1/8" NPT
11	3200002	1	Fitting, 3/4" M. Pipe to 3/4" M. Garden
12	2900278	1	Lanyard with Lock Pin
13	6010085	2	Water Tube for 20" Guard
14	6048155	2	Water Tube Clamp
15	2900020	4	Cap Screw, Flat Hd., 1/4-20 x 3/4"
16	1800001	1	Warning Label
17	6010251	1	Hinge Assembly for 20" Guard

ITEM	PART NO.	QTY.	DESCRIPTION
18	2500270	1	Blade Guard Hinge
19	2900144	6	Cap Screw, Hex Hd., 1/4-20 x 3/4"
20	2900010	6	Lock Nut, 1/4-20 Nylon

26" Blade Guard Assembly #6010604

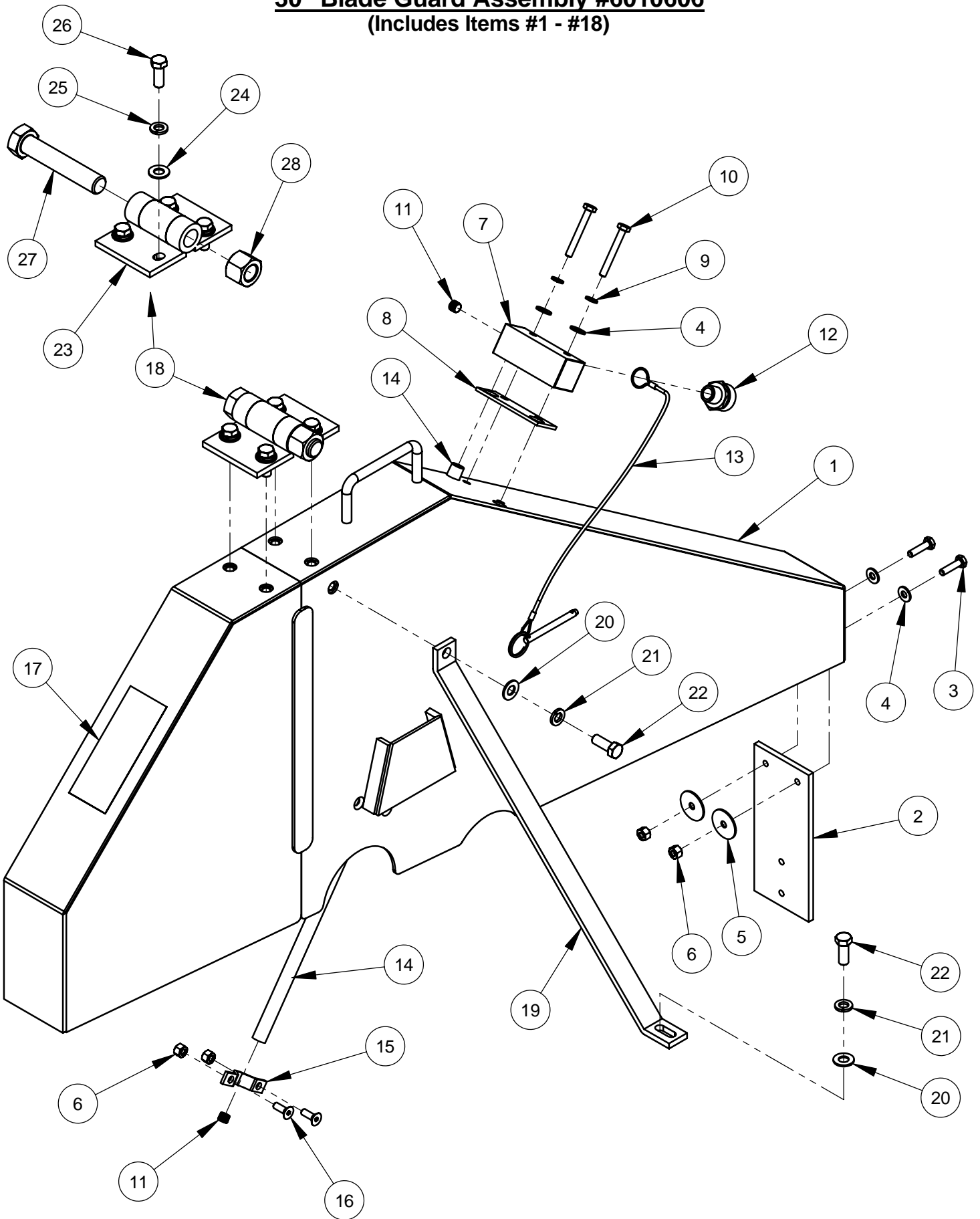


26" Blade Guard Assembly #6010604

ITEM	PART NO.	QTY.	DESCRIPTION
1	6010605	1	26" Blade Guard Front & Rear Only
2	6010081	1	Splash Flap
3	2900008	2	Cap Screw, Hex Hd., 1/4-20 x 1"
4	2900009	4	Flat Washer, 1/4" SAE
5	2900083	2	Fender Washer, 1/4" x 1-1/4"
6	2900010	6	Lock Nut, 1/4-20 Nylon
7	6010261	1	Water Manifold
8	2500830	1	Water Manifold Gasket
9	2900024	2	Lock Washer, 1/4" Split
10	2900294	2	Cap Screw, Hex Hd., 1/4-20 x 2"
11	3200001	3	Plug, 1/8" NPT
12	3200002	1	Fitting, 3/4" M. Pipe to 3/4" M. Garden
13	2900279	1	Lanyard with Lock Pin
14	6010086	2	Water Tube for 26" Guard
15	6048155	2	Water Tube Clamp
16	2900020	4	Cap Screw, Flat Hd., 1/4-20 x 3/4"
17	1800001	1	Warning Label
18	6010560	1	Blade Guard Hinge Assembly

ITEM	PART NO.	QTY.	DESCRIPTION
19	6010549	1	Blade Guard Hinge
20	2900014	4	Flat Washer, 3/8" SAE
21	2900006	4	Lock Washer, 3/8" Split
22	2900005	4	Cap Screw, Hex Hd., 3/8-16 x 1"
23	2900479	1	Cap Screw, Hex Hd., 3/4-10 x 4"
24	2900467	1	Lock Nut, 3/4-10 Nylon

30" Blade Guard Assembly #6010606
(Includes Items #1 - #18)

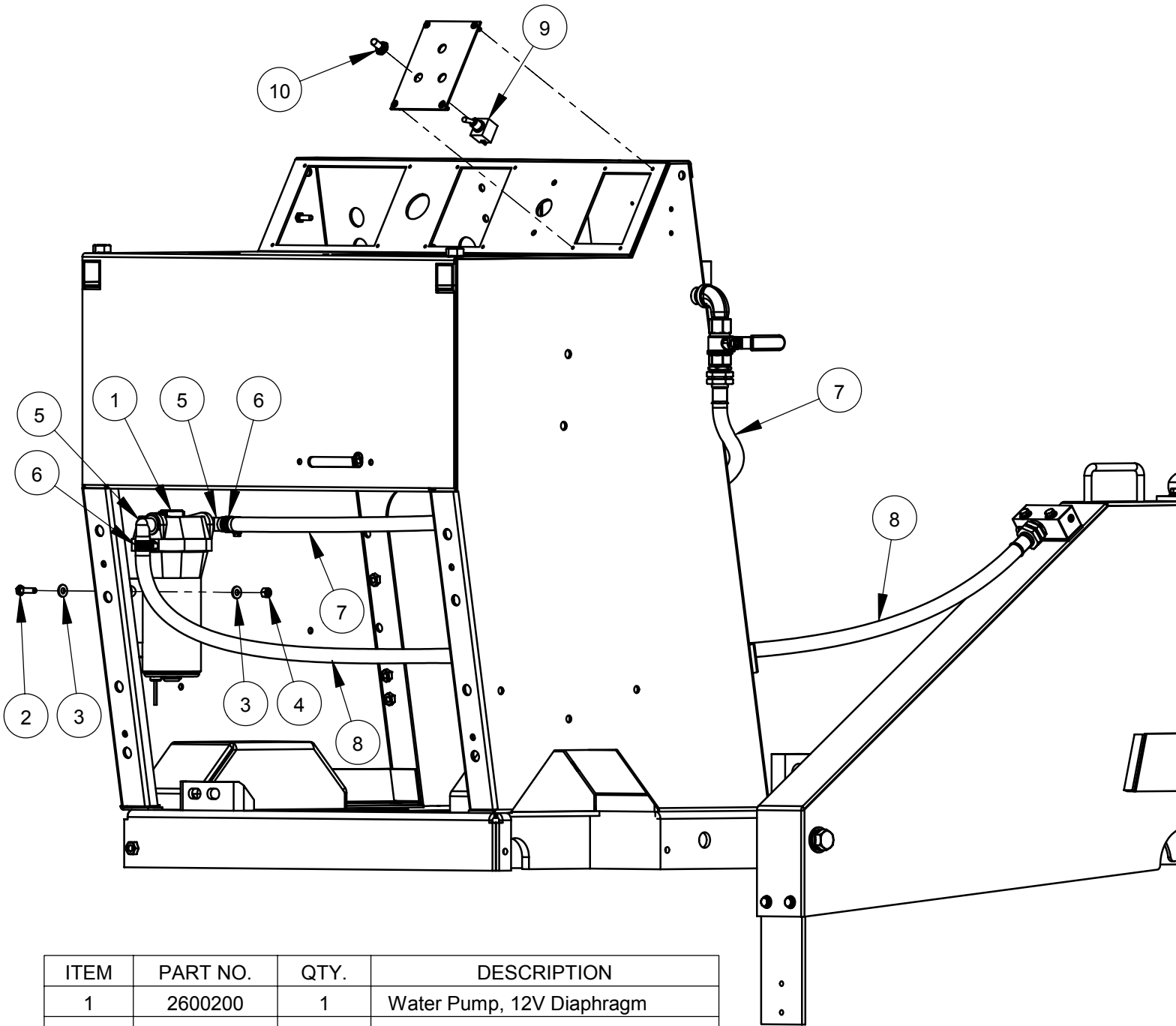


30" Blade Guard Assembly #6010606
(Includes Items #1 - #18)

ITEM	PART NO.	QTY	DESCRIPTION
1	6010607	1	30" Blade Guard Front & Rear Only
2	6010081	1	Splash Flap
3	2900008	2	Cap Screw, Hex Hd., 1/4-20 x 1"
4	2900009	4	Flat Washer, 1/4" SAE
5	2900083	2	Fender Washer, 1/4" x 1-1/4"
6	2900010	6	Lock Nut, 1/4-20 Nylon
7	6010261	1	Water Manifold
8	2500830	1	Water Manifold Gasket
9	2900024	2	Lock Washer, 1/4" Split
10	2900294	2	Cap Screw, Hex Hd., 1/4-20 x 2"
11	3200001	3	Plug, 1/8" NPT
12	3200002	1	Fitting, 3/4" M. Pipe to 3/4" M. Garden
13	2900279	1	Lanyard with Lock Pin
14	6010087	2	Water Tube for 30" Guard
15	6048155	2	Water Tube Clamp
16	2900020	4	Cap Screw, Flat Hd., 1/4-20 x 3/4"
17	1800001	1	Warning Label
18	6010560	1	Blade Guard Hinge Assembly
19	6011033	1	Blade Guard Brace
20	2900014	2	Flat Washer, 3/8" SAE
21	2900006	2	Lock Washer, 3/8" Split
22	2900005	2	Cap Screw, Hex Hd., 3/8-16 x 1"

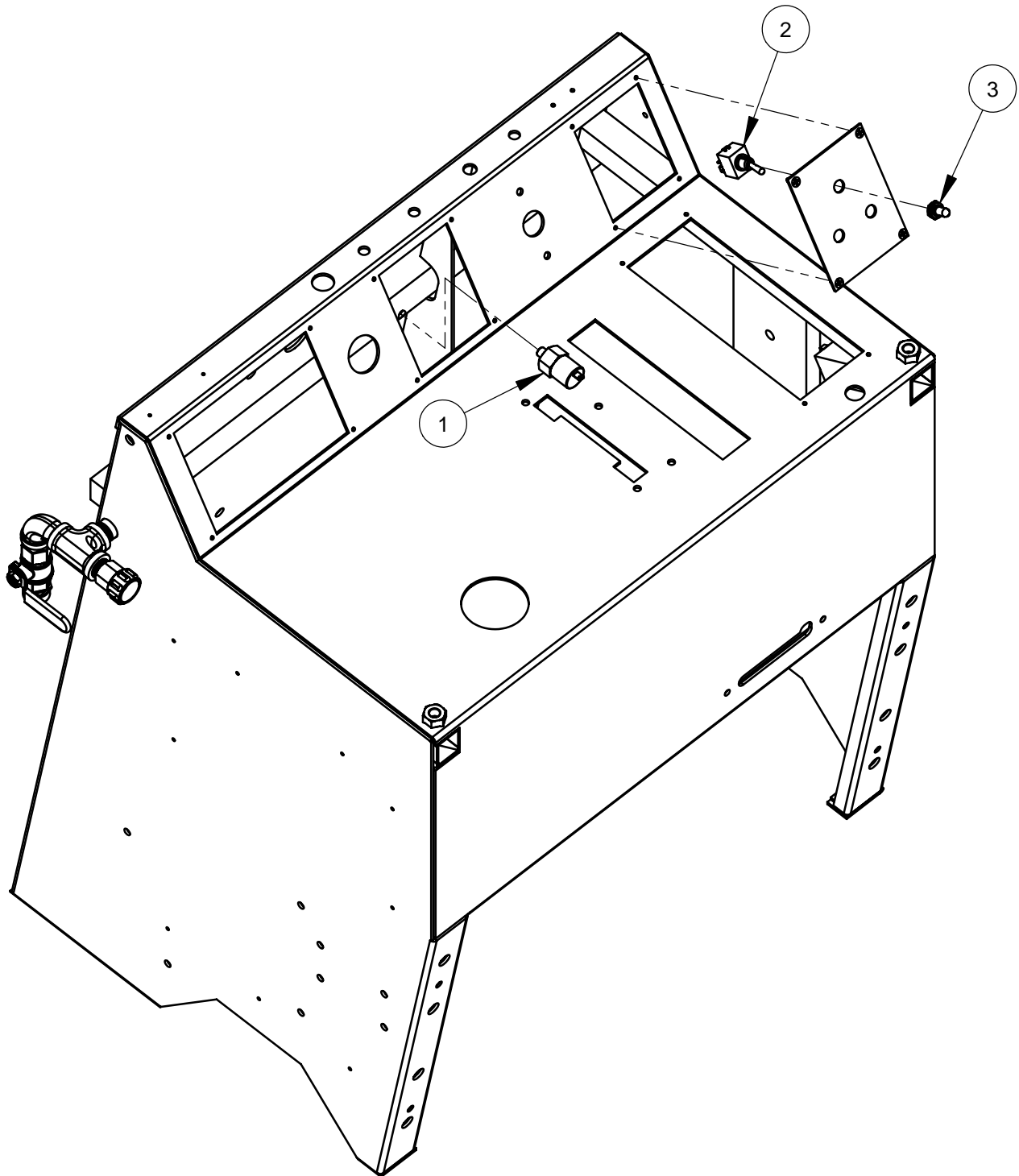
ITEM	PART NO.	QTY.	DESCRIPTION
23	6010549	1	Blade Guard Hinge
24	2900014	4	Flat Washer, 3/8" SAE
25	2900006	4	Lock Washer, 3/8" Split
26	2900005	4	Cap Screw, Hex Hd., 3/8-16 x 1"
27	2900479	1	Cap Screw, Hex Hd., 3/4-10 x 4"
28	2900467	1	Lock Nut, 3/4-10 Nylon

Optional Water Pump Assembly #6011032



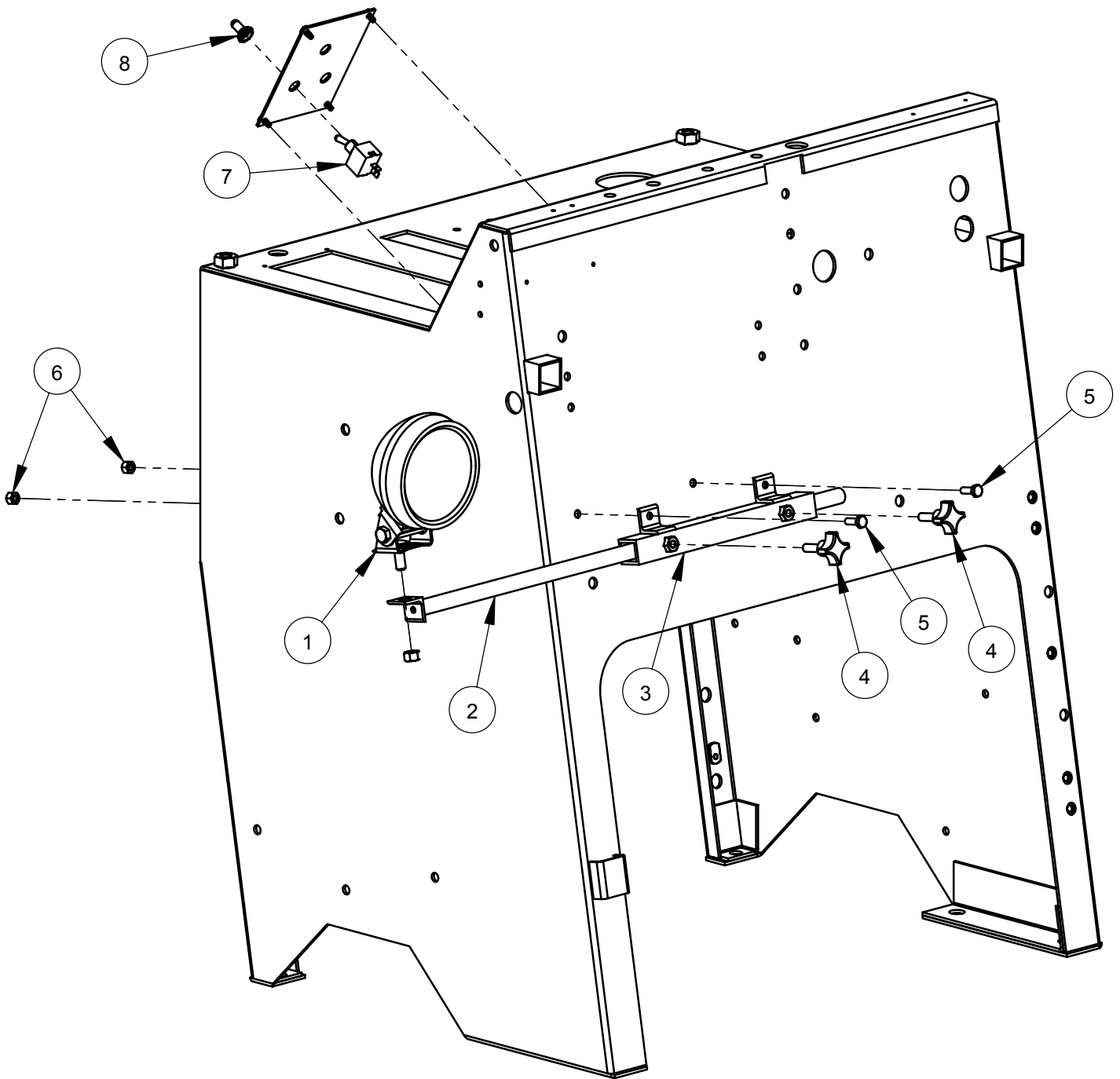
ITEM	PART NO.	QTY.	DESCRIPTION
1	2600200	1	Water Pump, 12V Diaphragm
2	2900008	4	Cap Screw, Hex Hd., 1/4-20 x 1"
3	2900009	8	Flat Washer, 1/4" SAE
4	2900010	4	Lock Nut, 1/4-20 Nylon
5	2701694	2	Port Fitting, 1/2" Barb x 90 Degree
6	3200016	2	Hose Clamp #8
7	6010302	1	Hose Assembly, 4 Foot
8	6010303	1	Hose Assembly, 5 Foot
9	2800062	1	Toggle Switch
10	2800063	1	Switch Boot

Optional Water Safety Switch Assembly #6047932



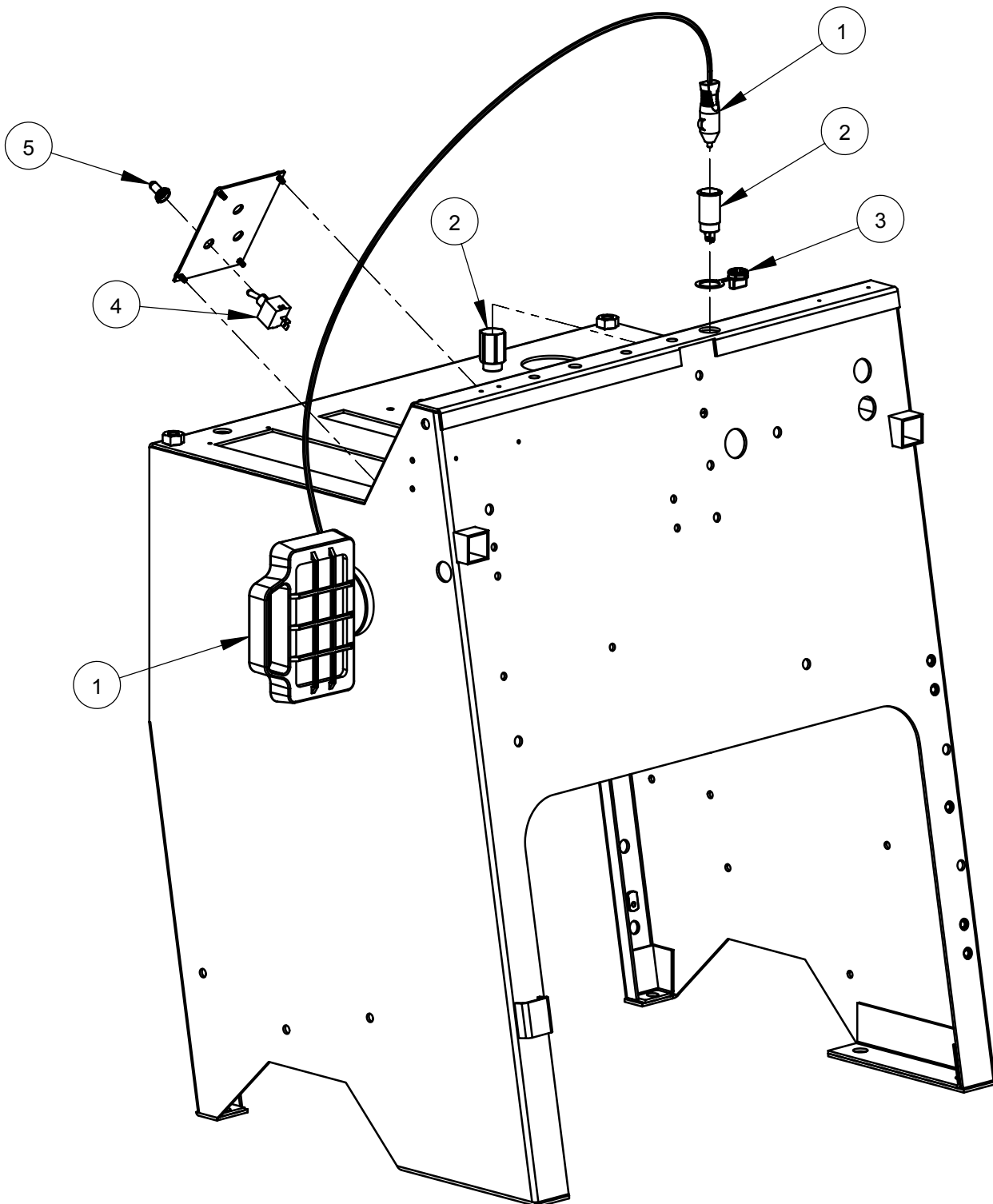
ITEM	PART NO.	QTY	DESCRIPTION
1	2800060	1	Water Pressure Safety Switch
2	2800062	1	Toggle Switch On/Off
3	2800063	1	Switch Boot

Optional Spot Light Assembly #6010112



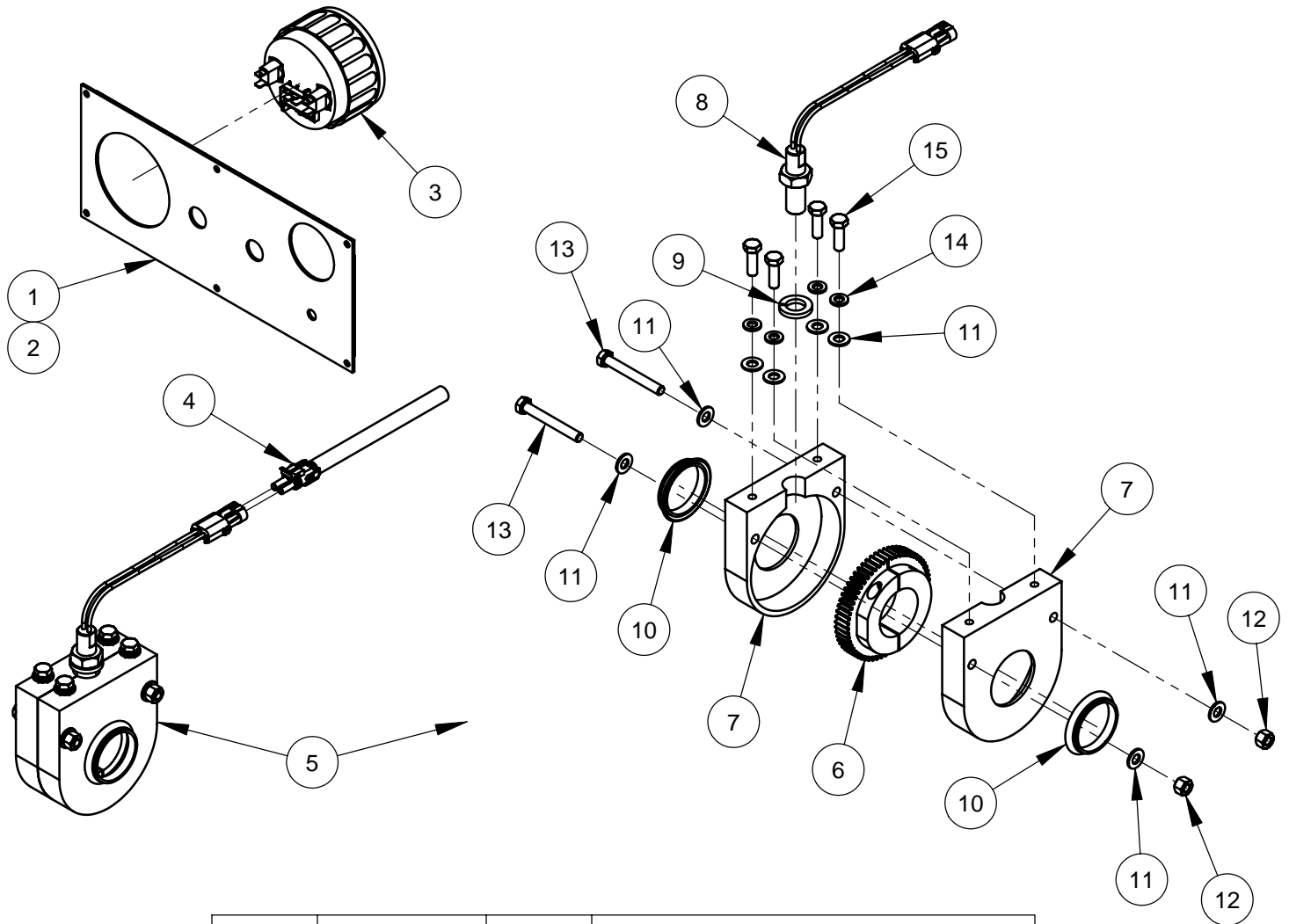
ITEM	PART NO.	QTY.	DESCRIPTION
1	2500194	1	Spot Light, 12 Volt
2	6010106	1	Light Bar
3	6010107	1	Light Bar Mount Bracket
4	2400157	2	Hand Lock Knob, 5/16-18 x 1"
5	2900144	2	Cap Screw, Hex Hd., 1/4-20 x 3/4"
6	2900010	2	Lock Nut, 1/4-20 Nylon
7	2800062	1	Toggle Switch
8	2800063	1	Switch Boot

Optional Magentic Spot Light Assembly #6011170



ITEM	PART NO.	QTY.	DESCRIPTION
1	2501087	1	Light, 12V Magnetic Base
2	2800374	1	Outlet, 12 Volt Power
3	2800375	1	Cap, 12 Volt Power Outlet
4	2800062	1	Toggle Switch
5	2800063	1	Switch Boot

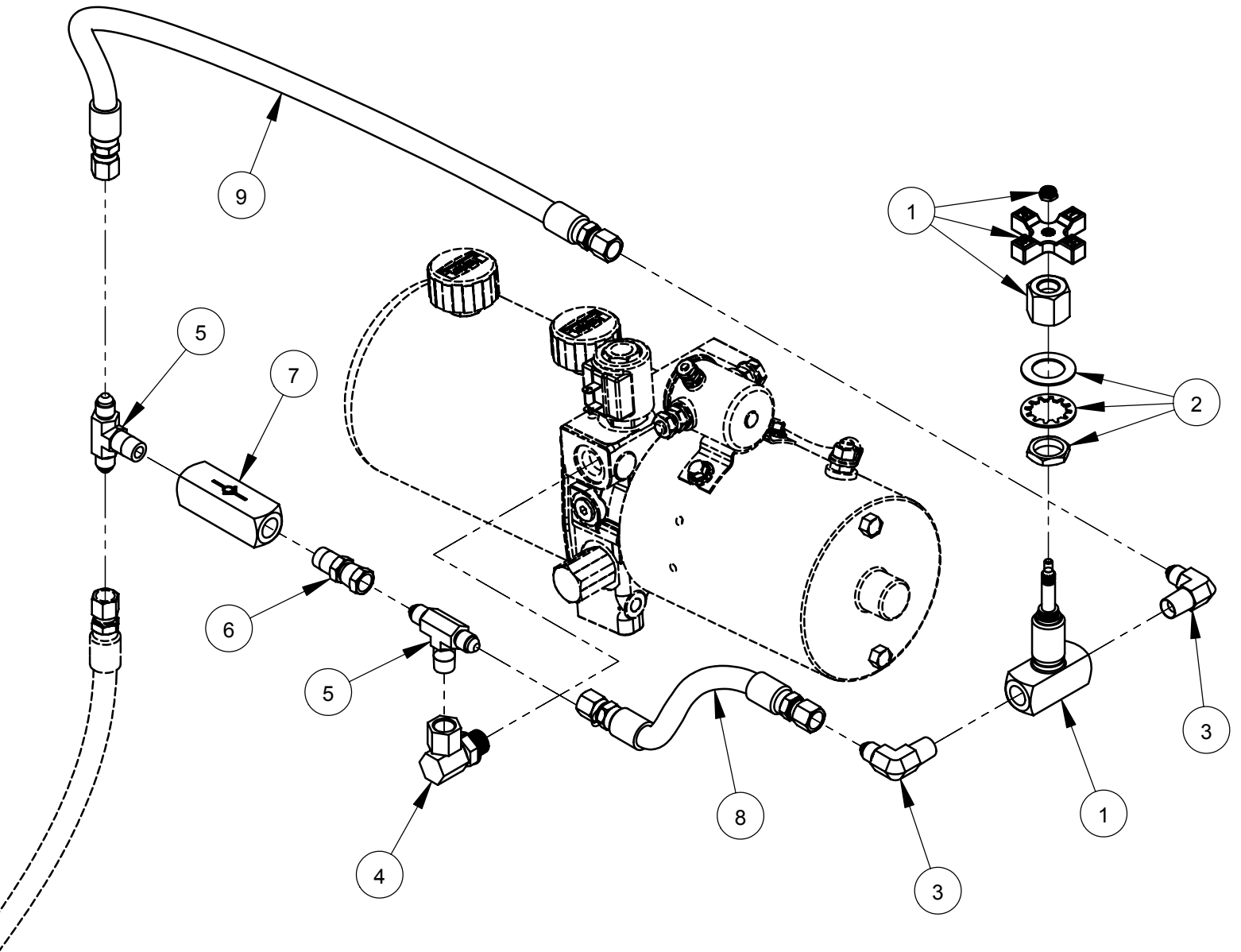
Optional Shaft Tachometer Assembly #6011434



ITEM	PART NO.	QTY.	DESCRIPTION
1	6011073	1	Gauge Panel
2	1800343	1	Blade RPM Decal
3	6010416	1	Tach/Hour Meter (VDO) Calibrated
4	2800397	1	Tach Sensor Wire Harness
5	6011421	1	Shaft Tach Gear Assembly

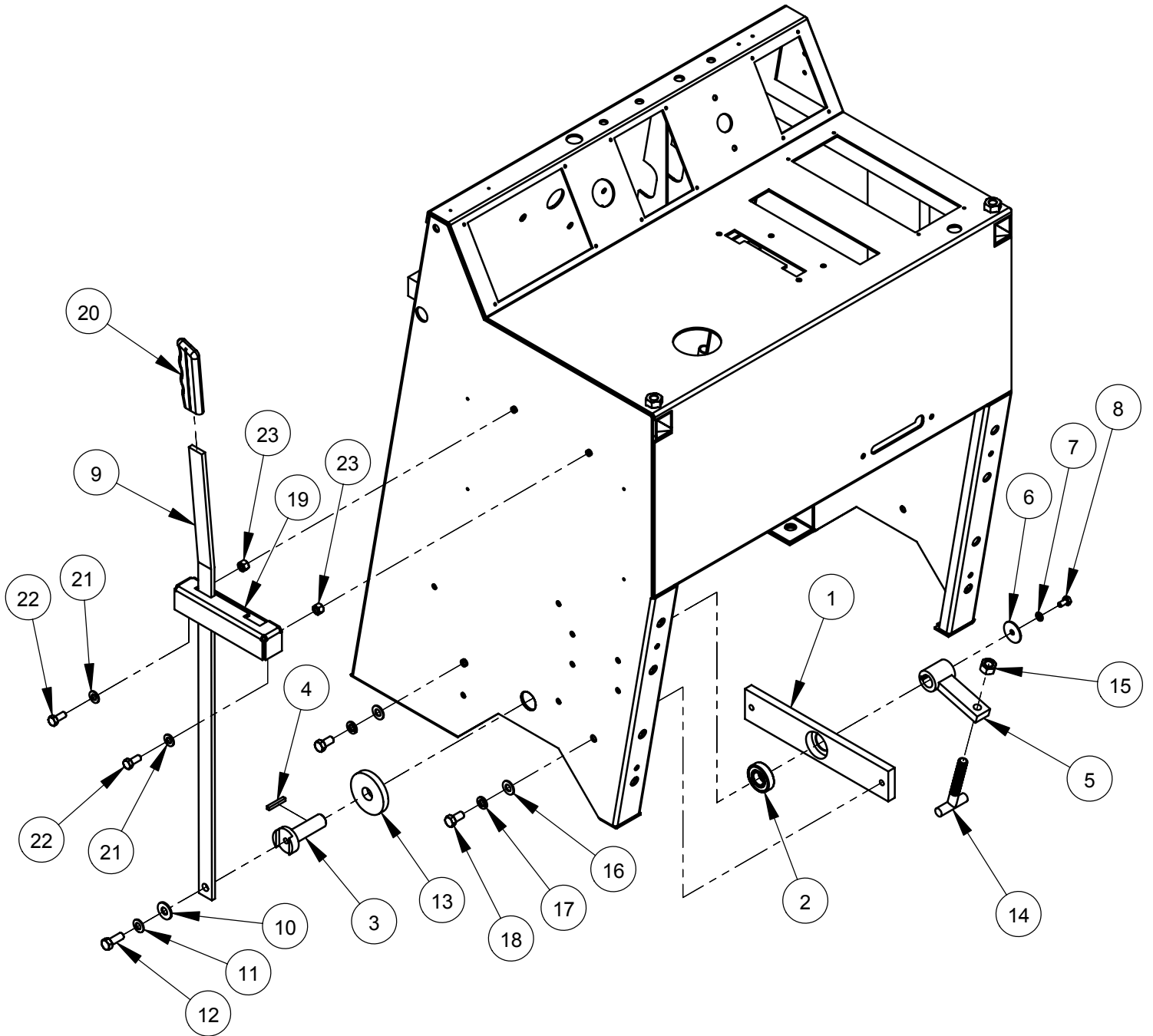
ITEM	PART NO.	QTY	DESCRIPTION
6	6010230	1	Shaft Tach Gear, Split
7	6010669	2	Shaft Tach Gear Guard
8	2800169	1	Magnetic Sensor w/Jam Nut
9	2900113	1	Lock Washer, 5/8" Split
10	2501752	2	Seal, 1-3/4" V-Ring
11	2900022	8	Flat Washer, 5/16" SAE
12	2900039	2	Lock Nut, 5/16-18 Nylon
13	2900726	2	Cap Screw, Hex Hd., 5/16-18 x 2-1/2"
14	2900031	4	Lock Washer, 5/16" Split
15	2900138	4	Cap Screw, Hex Hd., 5/16-18 x 1"

Optional Lowering Speed Metering Valve Assembly #6010227



ITEM	PART NO.	QTY.	DESCRIPTION
1	3200211	1	Valve, 1/4" Metering
2	3200212	1	Panel Mounting Kit
3	3200057	2	Elbow, 1/4" M. Pipe to 1/4" M. JIC
4	3200115	1	Elbow, 3/8" O-Ring to 1/4" F. Pipe
5	3200213	2	Tee, 1/4" M. JIC to 1/4" M. Pipe
6	3200219	1	Adapter, 1/4" M. Pipe to 1/4" F. JIC
7	3200218	1	Check Valve
8	6010247	1	Hose Assembly, 8" Long
9	6010248	1	Hose Assembly, 20" Long

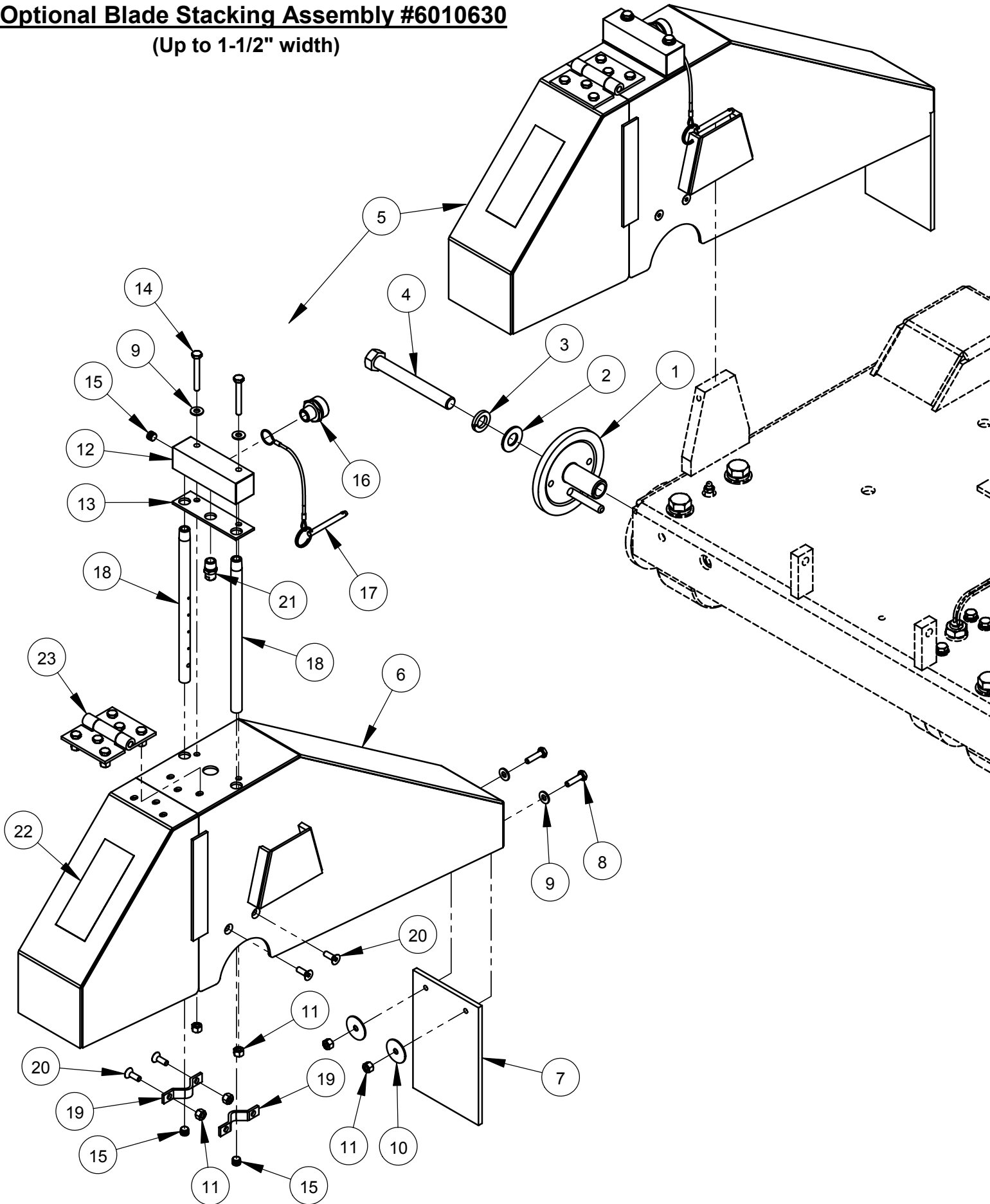
Optional Parking Brake Assembly #6011228



Optional Parking Brake Assembly #6011228

ITEM	PART NO.	QTY.	DESCRIPTION
1	6011229	1	Bearing Housing Bar
2	2501664	1	Ball Bearing, 3/4" x 1-5/8" x 7/16"
3	6011230	1	Pivot Pin
4	6048229	1	Key, 3/16" Sq. x 1-1/4"
5	6011231	1	Pivot Arm
6	2900083	1	Fender Washer, 1/4" x 1-1/4"
7	2900024	1	Lock Washer, 1/4" Split
8	2900082	1	Cap Screw, Hex Hd., 1/4-20 x 1/2"
9	6011232	1	Brake Lever
10	2900473	1	Flat Washer, 3/8" USS
11	2900474	1	Belleville Washer, 3/8"
12	2900005	1	Cap Screw, Hex Hd., 3/8-16 x 1"
13	6011234	1	Friction Washer, 3/4" x 2-1/2" x 3/8"
14	2900632	1	T-Bolt, 1/2-13
15	2900037	1	Hex Nut, 1/2-13
16	2900014	2	Flat Washer, 3/8" SAE
17	2900006	2	Lock Washer, 3/8" Split
18	2900196	2	Cap Screw, Hex Hd., 3/8-16 x 3/4"
19	6011233	1	Lever Gate
20	2500002	1	Lever Grip
21	2900022	2	Flat Washer, 5/16" SAE
22	2900019	2	Cap Screw, Hex Hd., 5/16-18 x 3/4"
23	2900039	2	Lock Nut, 5/16-18 Nylon

Optional Blade Stacking Assembly #6010630
(Up to 1-1/2" width)

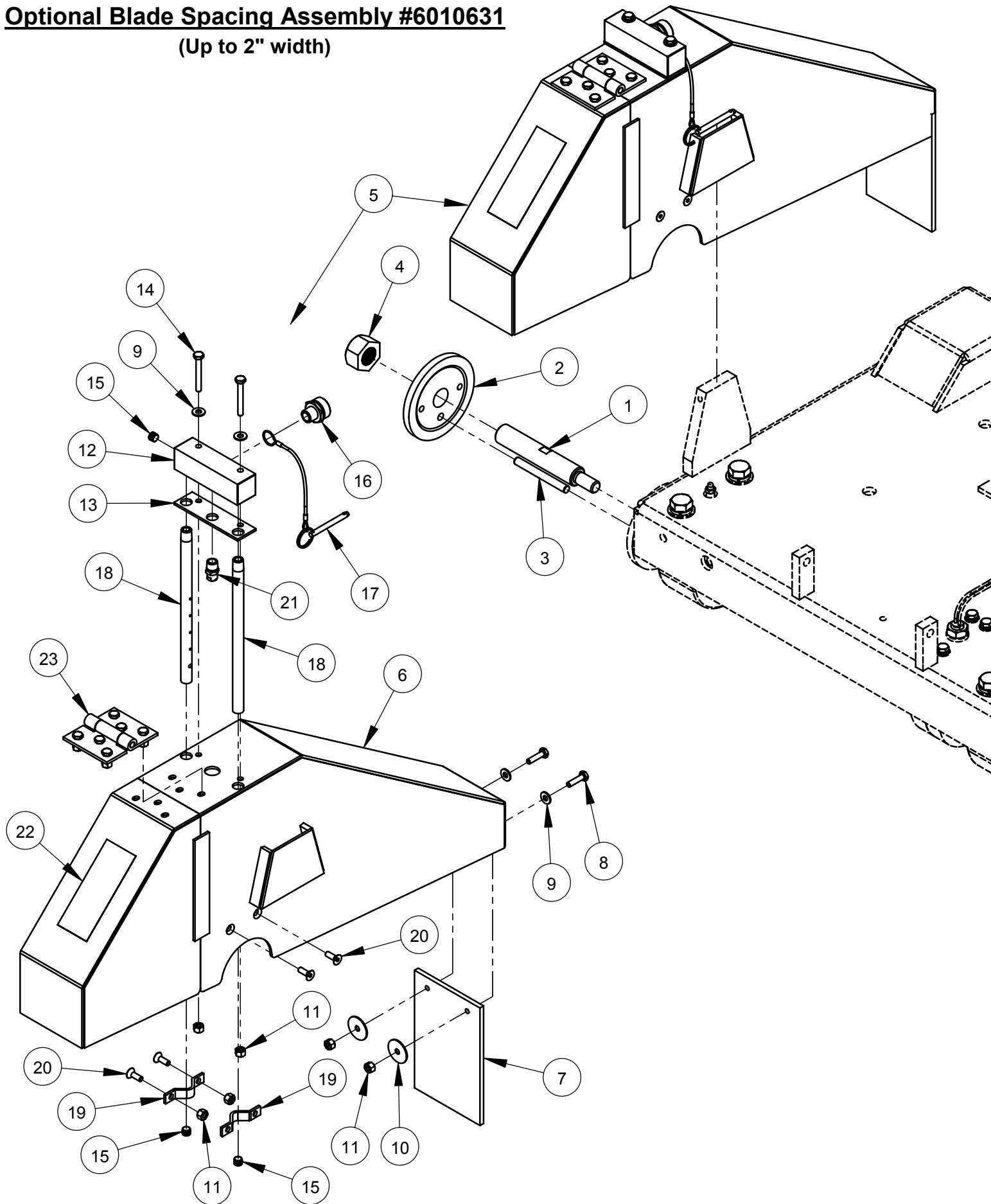


Optional Blade Stacking Assembly #6010630
(Up to 1-1/2" width)

ITEM	PART NO.	QTY.	DESCRIPTION
1	6010159	1	Outer Flange 4-1/2" with Pin
2	2900002	1	Flat Washer, 5/8" SAE
3	2900113	1	Lock Washer, 5/8" Split
4	2900210	1	Cap Screw, Hex Hd., 5/8"-11 x 5" LH
5	6010620	1	20" Wide Blade Guard Assembly

ITEM	PART NO.	QTY.	DESCRIPTION
6	6010621	1	20" Wide Blade Guard Front & Rear Only
7	6010296	1	Splash Flap
8	2900008	2	Cap Screw, Hex Hd., 1/4-20 x 1"
9	2900009	4	Flat Washer, 1/4" SAE
10	2900083	2	Fender Washer, 1/4" x 1-1/4"
11	2900010	8	Lock Nut, 1/4-20 Nylon
12	6010288	1	Water Manifold
13	2500988	1	Water Manifold Gasket
14	2900294	2	Cap Screw, Hex Hd., 1/4-20 x 2"
15	3200001	3	Plug, 1/8" NPT
16	3200002	1	Fitting, 3/8" M. Pipe to 3/4" M. Garden
17	2900278	1	Lanyard with Lock Pin
18	6010085	2	Water Tube for 20" Guard
19	6048155	2	Water Tube Clamp
20	2900020	4	Cap Screw, Flat Hd., 1/4-20 x 3/4"
21	3200208	1	Nozzle, 1/4" NPT
22	1800001	1	Warning Label
23	6010251	1	Hinge Assembly for 20" Guard

Optional Blade Spacing Assembly #6010631
(Up to 2" width)

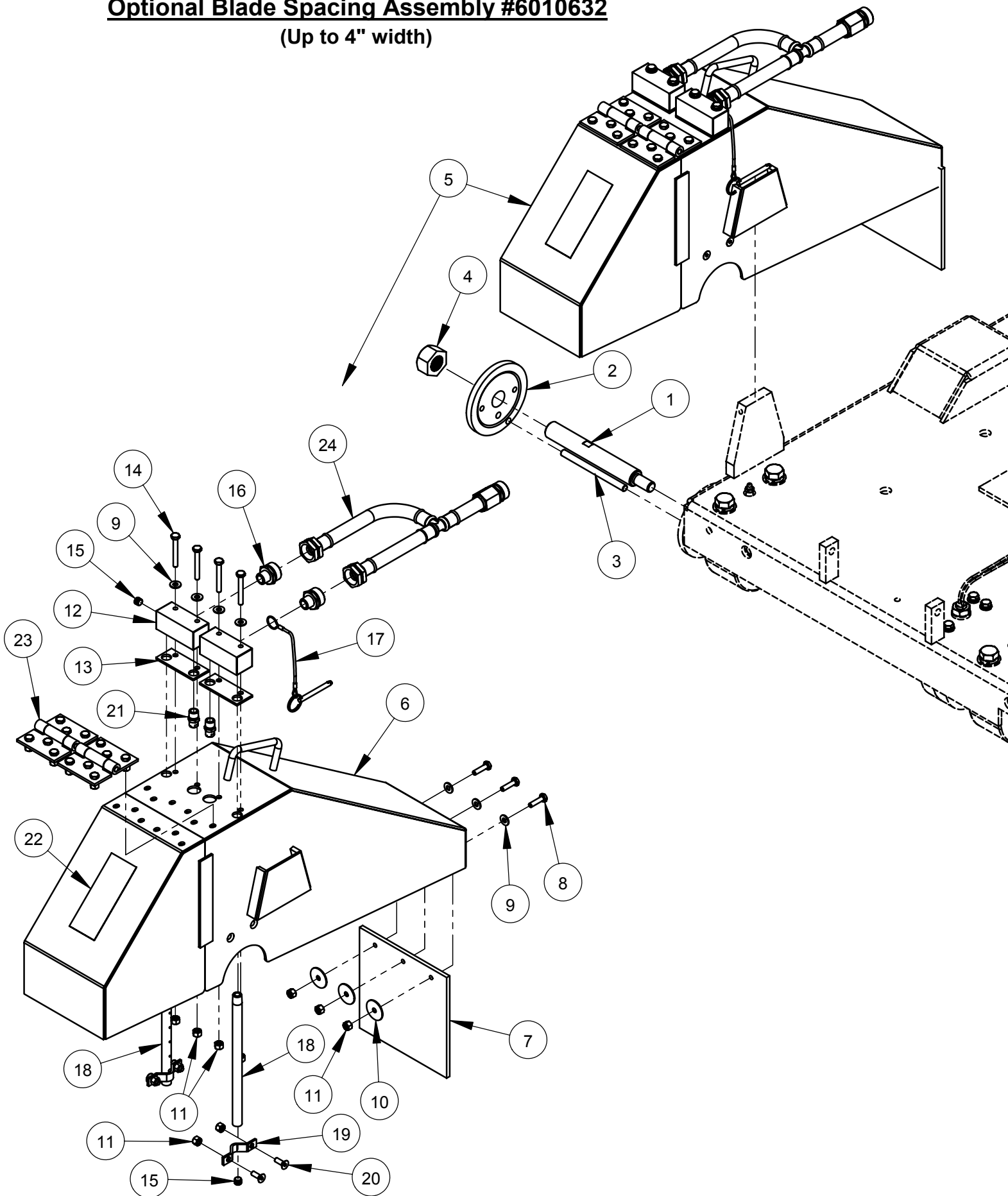


Optional Blade Spacing Assembly #6010631
(Up to 2" width)

ITEM	PART NO.	QTY.	DESCRIPTION
1	6010186	1	Blade Shaft Extension, Left Hand Thread
2	6010187	1	Outer Flange 4-1/2"
3	2900218	1	Dowel Pin, 3/8" Dia. x 3-1/2"
4	2900212	1	Hex Nut, 1"-14 Left Hand
5	6010620	1	20" Wide Blade Guard Assembly

ITEM	PART NO.	QTY.	DESCRIPTION
6	6010621	1	20" Wide Blade Guard Front & Rear Only
7	6010296	1	Splash Flap
8	2900008	2	Cap Screw, Hex Hd., 1/4-20 x 1"
9	2900009	4	Flat Washer, 1/4" SAE
10	2900083	2	Fender Washer, 1/4" x 1-1/4"
11	2900010	8	Lock Nut, 1/4-20 Nylon
12	6010288	1	Water Manifold
13	2500988	1	Water Manifold Gasket
14	2900294	2	Cap Screw, Hex Hd., 1/4-20 x 2"
15	3200001	3	Plug, 1/8" NPT
16	3200002	1	Fitting, 3/8" M. Pipe to 3/4" M. Garden
17	2900278	1	Lanyard with Lock Pin
18	6010085	2	Water Tube for 20" Guard
19	6048155	2	Water Tube Clamp
20	2900020	4	Cap Screw, Flat Hd., 1/4-20 x 3/4"
21	3200208	1	Nozzle, 1/4" NPT
22	1800001	1	Warning Label
23	6010251	1	Hinge Assembly for 20" Guard

Optional Blade Spacing Assembly #6010632
(Up to 4" width)

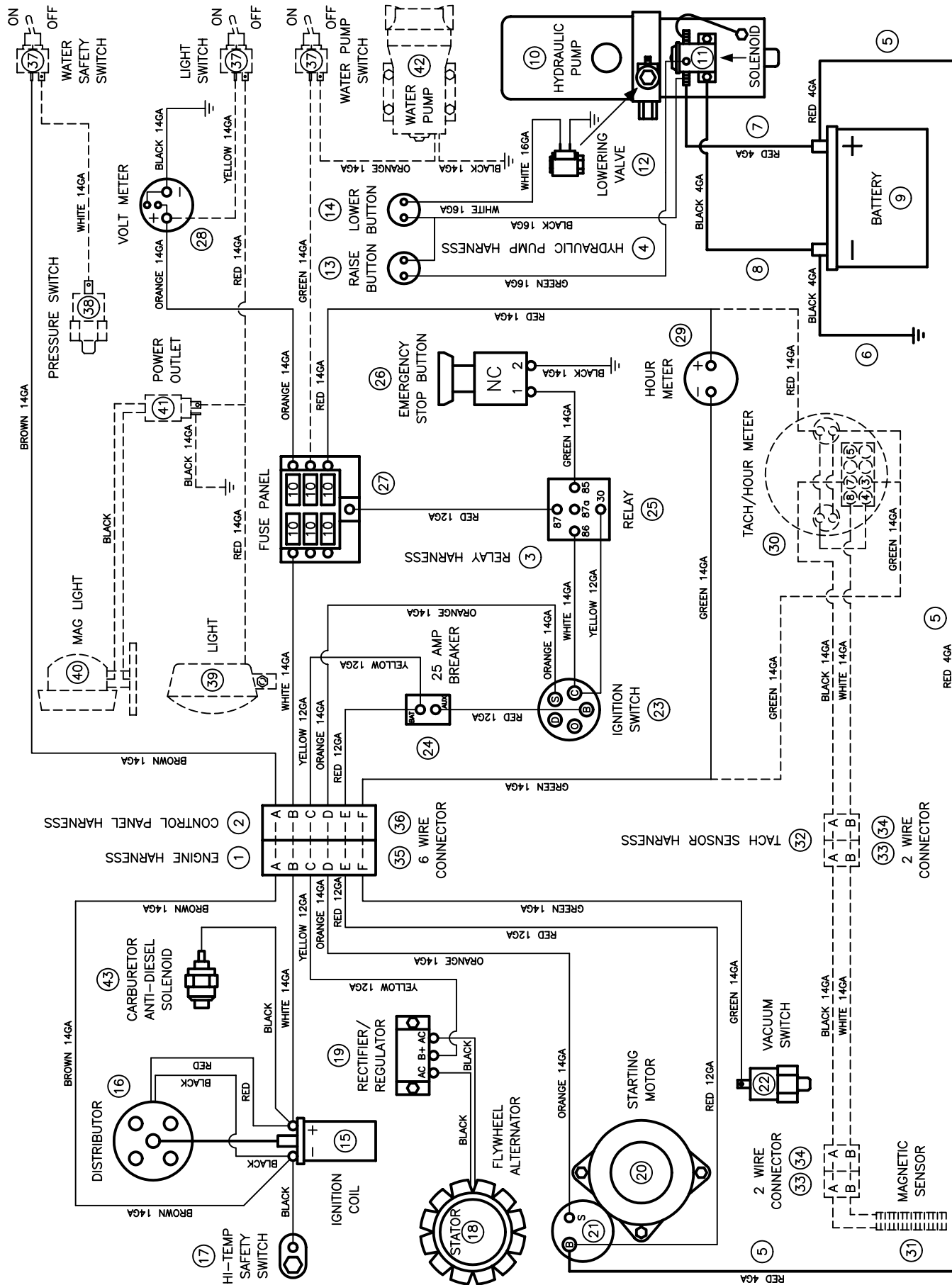


Optional Blade Spacing Assembly #6010632
(Up to 4" width)

ITEM	PART NO.	QTY.	DESCRIPTION
1	6010309	1	Blade Shaft Extension, Left Hand Thread
2	6010187	1	Outer Flange 4-1/2"
3	6010359	1	Drive Pin, 3/8" Dia. x 5"
4	2900212	1	Hex Nut, 1"-14 Left Hand
5	6010622	1	20" Wide Blade Guard Assembly

ITEM	PART NO.	QTY.	DESCRIPTION
6	6010623	1	20" Wide Blade Guard Front & Rear Only
7	6010366	1	Splash Flap
8	2900008	3	Cap Screw, Hex Hd., 1/4-20 x 1"
9	2900009	7	Flat Washer, 1/4" SAE
10	2900083	3	Fender Washer, 1/4" x 1-1/4"
11	2900010	11	Lock Nut, 1/4-20 Nylon
12	6048123	2	Water Manifold
13	2500829	2	Water Manifold Gasket
14	2900294	4	Cap Screw, Hex Hd., 1/4-20 x 2"
15	3200001	4	Plug, 1/8" NPT
16	3200002	2	Fitting, 3/8" M. Pipe to 3/4" M. Garden
17	2900278	1	Lanyard with Lock Pin
18	6010085	2	Water Tube for 20" Guard
19	6048155	2	Water Tube Clamp
20	2900020	4	Cap Screw, Flat Hd., 1/4-20 x 3/4"
21	3200208	2	Nozzle, 1/4" NPT
22	1800001	1	Warning Label
23	6010251	2	Hinge Assembly for 20" Guard
24	6010588	1	Hose Assembly, Dual Inlet

Wiring Diagram



Wiring Diagram

Diagram Number	Part No.	Qty. Req.	Description	Diagram Number	Part No.	Qty. Req.	Description
1	2800390	1	Engine Harness (Includes #35)	28	2800271	1	Volt Meter
2	2800391	1	Control Panel Harness (Includes #36)	29	2800064	1	Hour Meter
3	2800392	1	Relay Harness	30	6010416	1	Optional Tach/Hour Meter (VDO) Calibrated
4	2800393	1	Hydraulic Pump Harness		2800611	2	(Light Socket)
5	2800073	1	Battery Cable, Positive (Red)		2800612	2	(Light Bulb, Wedge Base)
6	2800072	1	Battery Cable, Negative (Black)	31	2800169	1	Optional Magnetic Sensor (Includes #33)
7	2800095	1	Solenoid Cable, Positive (Red)	32	2800397	1	Optional Tach Sensor Harness
8	2800182	1	Ground Cable, Negative (Black)				(Includes #33 & #34)
9	2700208	1	Battery, 12 Volt	33	2800145	2	Optional Connector, 2 Wire Shroud
10	2600070	1	Hydraulic Pump Unit (Includes #11 and #12)		2800114	4	Male Terminal, 14/16 Gage Wire
11	2700169	1	Solenoid, Motor		2800174	4	Cable Seal, Gray
12	2700243	1	Valve Coil	34	2800146	2	Optional Connector, 2 Wire Tower
	2700244	1	Valve Stem		2800115	4	Female Terminal, 14/16 Gage Wire
13	2800372	1	Pushbutton Switch, Raise		2800174	4	Cable Seal, Gray
14	2800373	1	Pushbutton Switch, Lower	35	2800110	1	Connector, 6 Wire Shroud
15	2700205	1	Ignition Coil		2800114	4	Male Terminal, 14/16 Gage Wire
16	2701474	1	Distributor for 35HP Engine		2800112	2	Male Terminal, 12 Gage Wire
	2701475	1	Distributor for 65HP Engine		2800174	4	Cable Seal, Gray
17	2700299	1	High Temperature Safety Switch		2800175	2	Cable Seal, Blue
18	2701634	1	Flywheel Alternator, 30 Amp	36	2800111	1	Connector, 6 Wire Tower
19	2701023	1	Rectifier/Regulator Module		2800115	4	Female Terminal, 14/16 Gage Wire
20	2700247	1	Starting Motor (Includes #21)		2800113	2	Female Terminal, 12 Gage Wire
21	2700282	1	Solenoid Switch		2800174	4	Cable Seal, Gray
22	2800386	1	Vacuum Switch		2800175	2	Cable Seal, Blue
23	2500220	1	Ignition Switch	37	2800062	3	Optional Toggle Switch
24	2800387	1	Circuit Breaker, 25 Amp		2800063	3	Switch Boot
	2800364	1	Circuit Breaker Boot, Red	38	2800060	1	Optional Water Pressure Safety Switch
25	2800144	1	Relay	39	2500194	1	Optional Spot Light, 12 Volt
	2800263	1	Relay Connector	40	2501087	1	Optional Magnetic Base Light, 12 Volt
	2800264	4	Wire Terminal, 1/4" Push-on	41	2800374	1	Optional Power Outlet, 12 Volt
26	2800461	1	Emergency Stop Button		2800375	1	Outlet Cap
	2800462	1	Contact Block N.C.	42	2600200	1	Optional Water Pump, Diaphragm
27	2800388	1	Fuse Panel, 6 Circuit	43	2701030	1	Anti-Diesel Solenoid Valve
	2800389	6	Fuse, 10 Amp Red ATO/ATC				for 65HP Engine Only

Decal Group

CORE CUT

CC3500



CORE CUT DECAL
#1800256 (Qty. 3)

INSTRUMENT PANEL DECAL
#1800342

DIAMOND PRODUCTS CORE CUT CC3500
333 PROSPECT STREET
ELYRIA, OHIO 44035 USA
PHONE 1-800-321-5336
www.diamondproducts.com

CC3535 RPM CHART

BLADE SIZE	BLADE RPM	BLADESHAFT SHEAVE	ENGINE SHEAVE	ENGINE RPM	GOVERNOR HOLE	FLANGE SIZE	MAX CUT DEPTH
14"	3,000	3.65"	3.65"	3,000	12	5"	4-3/8"
20"	2,500	3.65"	3.65"	2,500	9	5"	7-3/8"
26"	1,900	4.12"	3.12"	2,500	9	5"	10-3/8"
30"	1,650	4.12"	3.12"	2,200	8	5"	12-3/8"

WARNING

- Always check the bladeshaft RPM before mounting blade.
- Only use blades with a rated speed higher than the bladeshaft speed.
- Never exceed the maximum RPM stamped on blade. Over-speeding the blade can cause blade break-up and serious personal injury.
- When changing blade size, always adjust bladeshaft RPM according to the speed chart to match recommended blade RPM.
- Do not use a blade flange size smaller than indicated for each blade.
- Never operate saw without the blade guard in place or allow rotating blade exposure to exceed 15 degrees.
- Never stand in line with the blade path when starting or operating saw.
- Never use damaged blades or equipment.
- Refer to operator's manual for additional information about safety, operation and maintenance.

ADVERTENCIA

Siempre revise la velocidad de RPM del eje de la hoja de corte antes de montar la hoja.

Solo use hojas de corte con una velocidad de RPM superior a la velocidad que aparece en el gráfico.

Nunca exceda la velocidad máxima RPM indicada en la hoja de corte. Operar a una velocidad superior a la velocidad máxima puede causar la rotura de la hoja y lesiones personales graves.

Al cambiar el tamaño de la hoja de corte, siempre ajuste la velocidad de RPM del eje de la hoja de corte de acuerdo al gráfico para coincidir con la velocidad recomendada de la hoja de corte.

No use un tamaño de flange de menor tamaño que el indicado para cada tamaño de hoja de corte.

Nunca opere la sierra sin el guardablanco en su lugar o permita una exposición de la hoja de corte que exceda los 15 grados.

Nunca se ponga en línea con el camino de la hoja al iniciar o operar la sierra.

Nunca use hojas de corte dañadas o equipo.

Consulte el manual del operador para obtener información adicional sobre seguridad, operación y mantenimiento.

RPM CHART DECAL
#1800949

WARNING

TO PREVENT SERIOUS INJURY
DO NOT OPERATE SAW
WITHOUT PROPER TRAINING
& FULL UNDERSTANDING
OF THE OWNERS MANUAL.

WHEN OPERATING THIS MACHINE
KEEP ALL GUARDS IN PLACE

ALWAYS WEAR SAFETY APPROVED

- HEARING PROTECTION
- EYE OR FACE PROTECTION
- HEAD PROTECTION
- RESPIRATOR

S.M.I. SAW MANUFACTURERS INSTITUTE ©

WARNING DECAL
#1800001

SAW LABELS SHEET
#1800351

Notes

GOVERNOR SETTING

Wisconsin Engine Model W4-1770 35 HP

GOVERNOR ADJUSTMENT (Fig. 16, Fig. 17) – The governor rod connection to the carburetor must be very carefully adjusted for length, otherwise the governor will not function properly and cause the engine to surge badly. With the engine at rest, the governor spring will keep the flyweights *in*, and the control rod must be of such length as to hold the carburetor throttle wide open at that point.

With the *control rod* disconnected from the *governor lever*, as illustrated in Fig. 16, push the rod toward the carburetor as far as it will go. This will put the *carburetor throttle lever* in a wide open position. The governor lever should then be moved as far as possible in the same direction. Holding both parts in the above position, the rod should be screwed in or out of the *swivel block* on the carburetor, until the bent end of the rod will register with *hole* in lever, then screw rod in one more turn. The extra turn will shorten the linkage slightly and will enable the carburetor throttle lever to bounce back from the stop pin rather than jam against the pin, when a load is suddenly applied to an idling engine. This will eliminate excessive wear on the threads in the carburetor throttle swivel block.

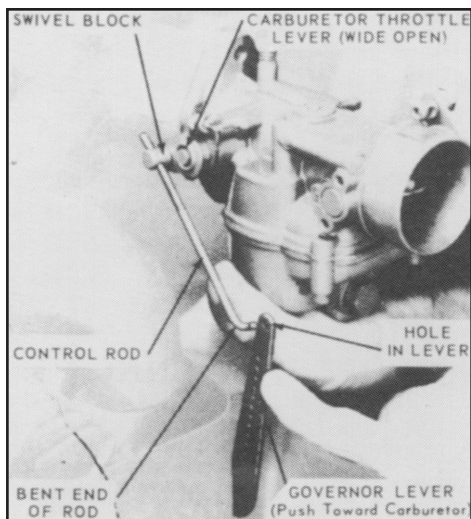


Fig. 16

GOVERNOR LEVER — The governor lever, Fig. 17, is furnished with 12 holes for attaching the governor spring. It is very important that the spring is hooked into the proper hole to suit the speed at which the engine is to be operated. The Governor Lever Chart shows the full load and no load speeds of the engine and the hole corresponding thereto, for either a fixed speed, a variable speed or two speed (over-center idle control) governor. Note that the *full load* speed is less than the *no load* speed and this must be taken into consideration when readjusting the governor. As an example: if the engine is to be operated at 2000 revolutions per minute under load, the spring should be hooked into the 8th hole in the governor lever and the spring tension adjusted, by means of the adjusting screw, to run 2230 RPM under no load. The speed at full load will then be approximately 2000 revolutions per minute.

A tachometer or revolution counter should be used against the crankshaft to check speed while adjusting the governor spring tension. Tightening the adjusting screw locknut will give higher speeds, while loosening the locknut will lower the spring tension and reduce the RPM.

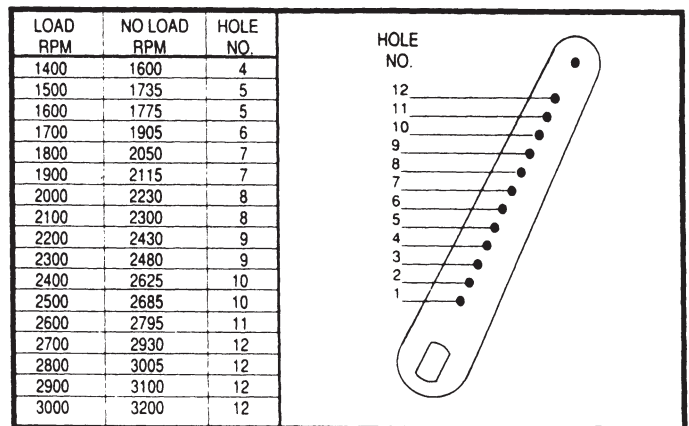


Fig. 17

Blade Speed Conversion Charts

WARNING: Do not exceed blade speed (RPM) shown for each blade size.
Excessive blade speed could result in blade breakage and serious personal injury!

Blade Size	Blade Shaft		Engine		Governor Setting	Max. Depth of Cut
	No Load RPM	Sheave Size	No Load RPM	Sheave Size		
14"	3,000	3.65"	3,000	3.65"	12	4-3/8"
20"	2,500	3.65"	2,500	3.65"	9	7-3/8"
26"	1,900	4.12"	2,500	3.12"	9	10-3/8"
30"	1,650	4.12"	2,200	3.12"	8	12-3/8"

WARNING: When changing blade size, use chart shown below for selecting items that must be changed.

Model CC3535	14"	20"	26"	30"
Blade Guard Assembly	6010600	6010602	6010604	6010606
Engine Sheave, 1-7/16" Bore (Sheave Size)	6011008 (3.65")	6011008 (3.65")	6011084 (3.12")	6011084 (3.12")
Blade Shaft Sheave, 1-3/4" Bore (Sheave Size)	6011009 (3.65")	6011009 (3.65")	6011010 (4.12")	6011010 (4.12")

EQUIPMENT AND PARTS WARRANTY

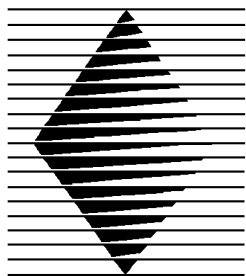
Diamond Products warrants all equipment manufactured by it against defects in workmanship or materials for a period of one (1) year from the date of shipment to Customer.

The responsibility of Diamond Products under this Warranty is limited to replacement or repair of defective parts at Diamond Products' Elyria, Ohio factory, or at a point designated by it, of such parts as shall appear to us upon inspection at such parts, to have been defective in material or workmanship, with expense for transportation and labor borne by Customer.

In no event shall Diamond Products be liable for consequential or incidental damages arising out of the failure of any Product to operate properly.

Integral units such as engines, electric motors, batteries, transmissions, etc., are excluded from this Warranty and are subject to the prime manufacturer's warranty.

THIS WARRANTY IS IN LIEU OF ALL OTHER WARRANTIES, EXPRESSED OR IMPLIED, AND ALL SUCH OTHER WARRANTIES ARE HEREBY DISCLAIMED.



DIAMOND PRODUCTS

333 Prospect Street, Elyria, Ohio 44035
(440) 323-4616 • (800) 321-5336 • Fax (440) 323-8689
www.diamondproducts.com