

DIAMOND
PRODUCTS

CONCRETE SAW
PARTS LIST

MODEL
CC3700TE

November 2005

Part #1800919

⚠ WARNING: NEVER EXCEED THE MAXIMUM RPM STAMPED ON BLADE!
 Excessive speed can cause blade breakage resulting in serious personal injury or death!

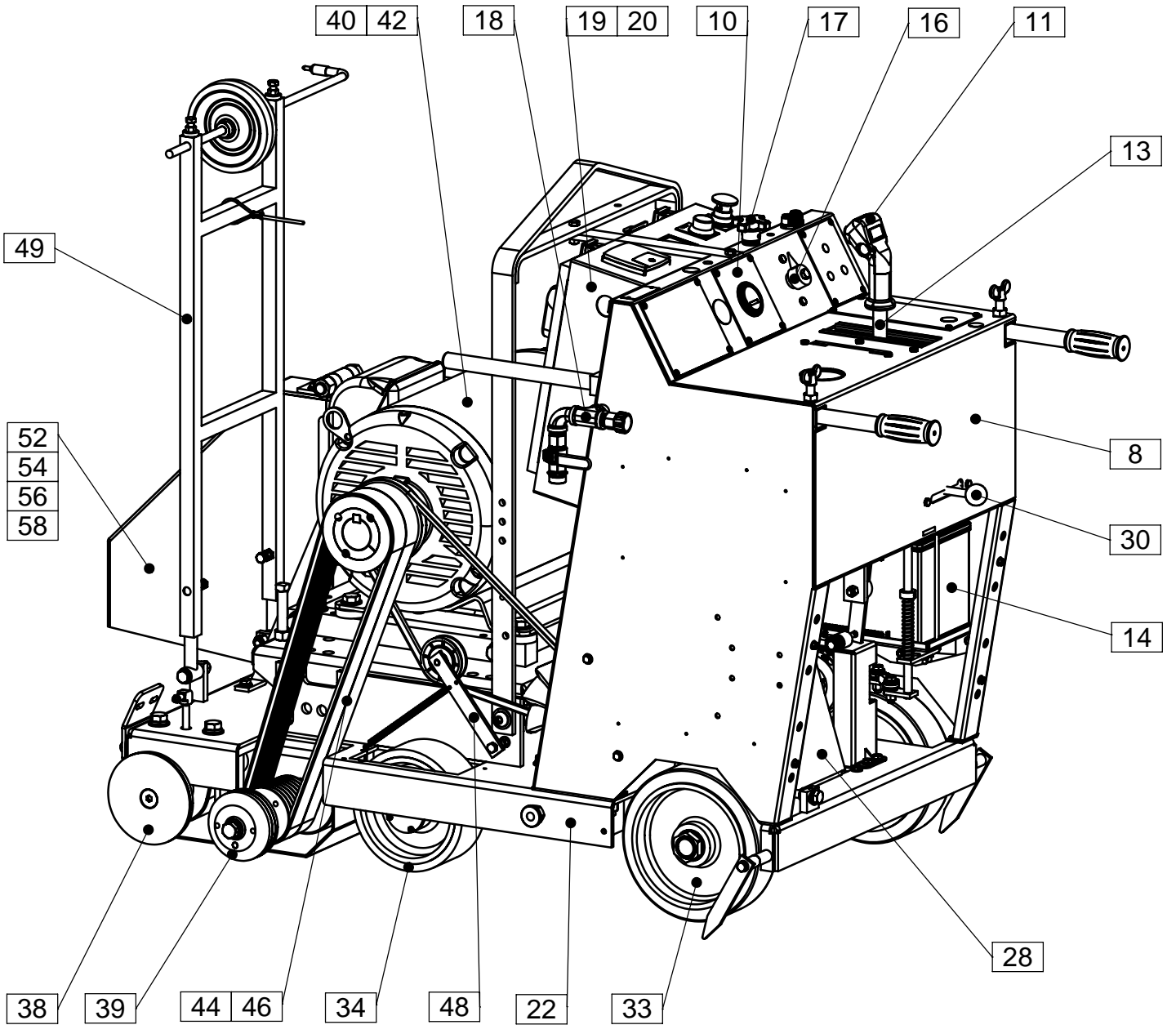
CC3730TE / CC3740TE RPM CHART								
GUARD SIZE	BLADE SIZE	BLADE RPM	BLADE SHAFT	BLADESHAFT SHEAVE	MOTOR SHEAVE	MOTOR RPM	FLANGE SIZE	DEPTH OF CUT
20"	16"	2,475	REAR	3.65"	5"	1,800	4-1/2"	5-1/2"
	18"							6-1/2"
	20"							7-1/2"
26"	22"	2,025		4"	4.5"			8-1/2"
	24"			9-1/2"				
	26"			10-1/2"				
30"	26"	1,700	FRONT	3.65"	5"	6"	9-3/4"	
	28"						10-3/4"	
	30"						11-3/4"	
36"	32"	1,400		4"	4.5"		12-3/4"	
	34"			13-3/4"				
	36"			14-3/4"				

⚠ WARNING ⚠
 The engine exhaust from this product contains chemicals known to the State of California to cause cancer, birth defects or other reproductive harm.

Table of Contents

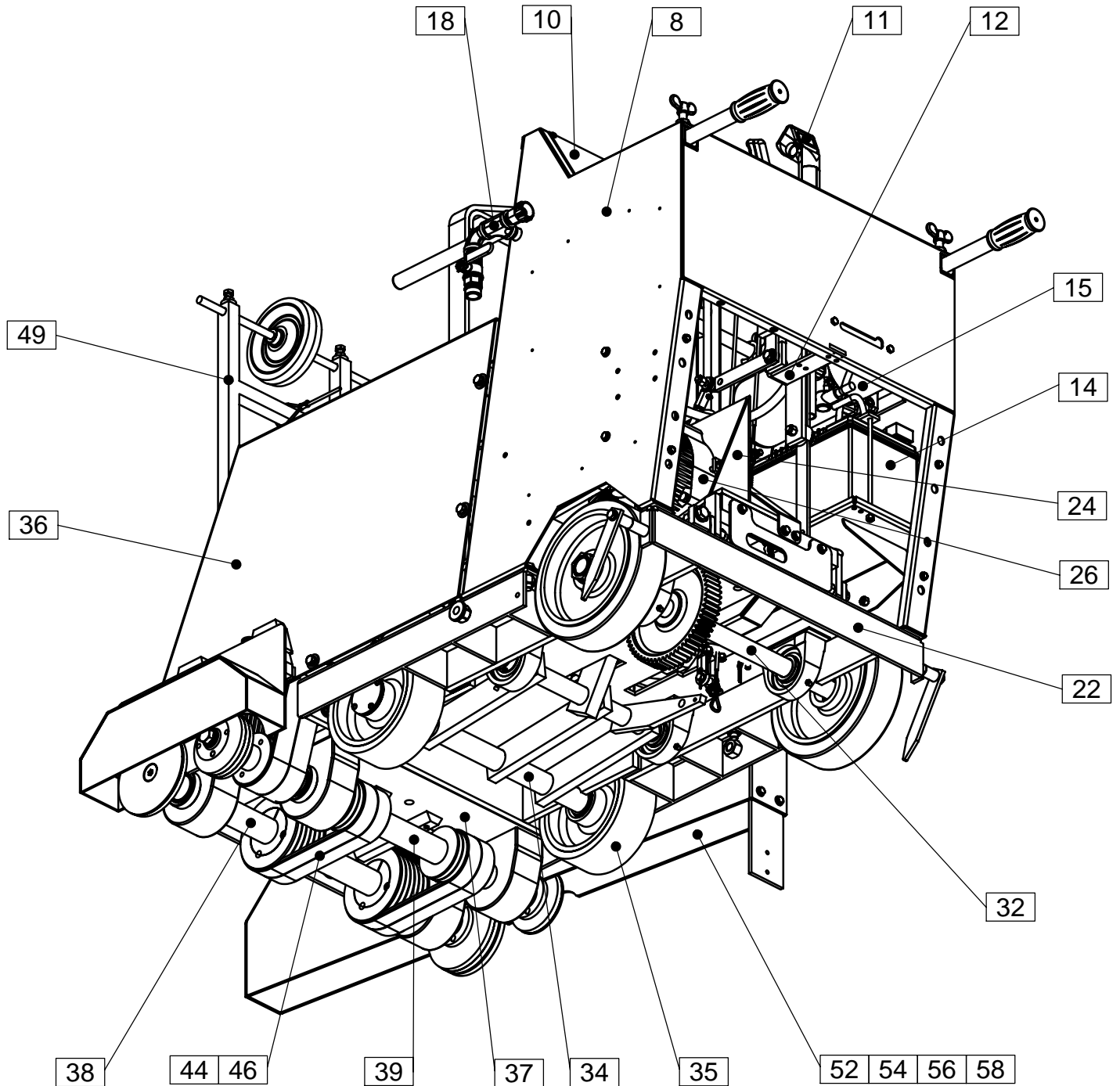
Pictorial Page Index.....	4,5	Belt Tensioner Assembly.....	37
Controls Legend.....	6	Blade Shaft Assembly (Front).....	38
Frame Upright Assembly.....	8,9	Blade Shaft Assembly (Rear).....	39
Instrument Panel Assembly.....	10	30hp Motor Mount Assembly.....	40,41
Control Grip Assembly.....	11	40hp Motor Mount Assembly.....	42,43
Control Lever Assembly (Eaton).....	12	30hp Belt Drive Assembly (Blades 20" & 30")	44
Control Lever Assembly (Sundstrand).....	13	30hp Belt Drive Assembly (Blades 26" & 36")	45
Battery Assembly.....	14	40hp Belt Drive Assembly (Blades 20" & 30")	46
Hydraulic Pump Assembly.....	15	40hp Belt Drive Assembly (Blades 26" & 36")	47
Depth Indicator Assembly.....	16	Idler Assembly.....	48
Depth Stop Assembly.....	17	Front Pointer Assembly.....	49
Water Supply Assembly.....	18	Power Transformer Assembly (575V).....	50
Starter Box Assembly.....	19	Power Transformer Assembly (50Hz).....	51
Starter Box Unit.....	20,21	20" Blade Guard Assembly.....	52,53
Frame Base Assembly.....	22	26" Blade Guard Assembly.....	54,55
Hydraulic Cylinder Assembly.....	23	30" Blade Guard Assembly.....	56,57
Rear Drive Assembly (Eaton).....	24,25	36" Blade Guard Assembly.....	58,59
Eaton Transmission Assembly.....	26	Optional Water Pump Assembly.....	60
Linkage Assembly.....	27	Optional Spot Light Assembly.....	61
Rear Drive Assembly (Sundstrand).....	28,29	Optional Magnetic Spot Light Assembly.....	62
Free Wheeling Clutch Assembly (Sundstrand)	30,31	Optional Speed Metering Valve Assembly.....	63
Rear Axle Assembly (Eaton / Gear).....	32	Optional Soft Start Control Assembly.....	64
Rear Axle Assembly (Sundstrand / Chain).....	33	Notes.....	65
Front Axle Assembly.....	34	Wiring Diagram.....	66
Front Wheel Assembly.....	35	Decal Group.....	67
Belt Guard Assembly.....	36	Warranty.....	68

Pictorial Page Index



Shown with Sundstrand Transmission

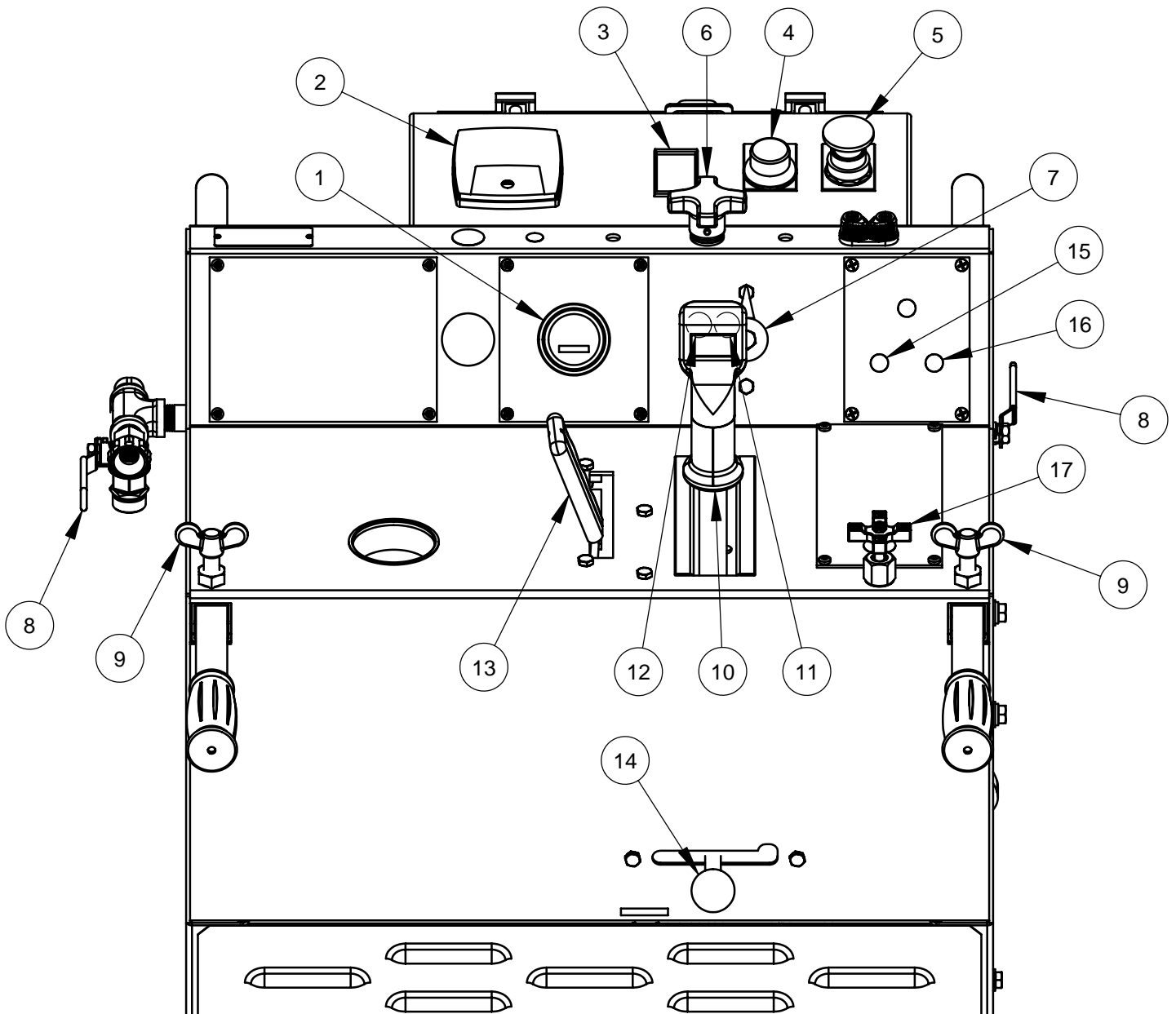
Pictorial Page Index



Shown with Eaton Transmission

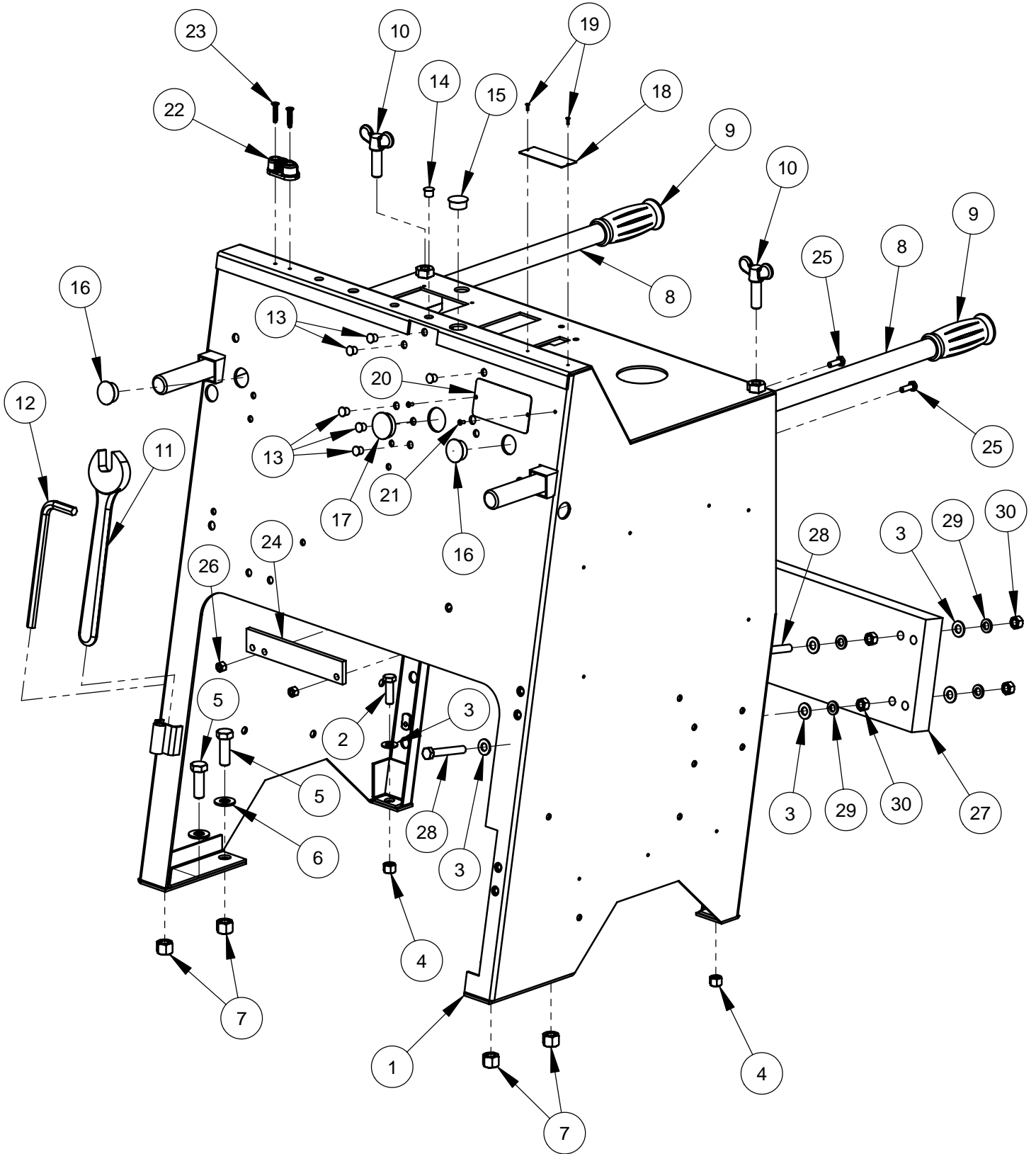
Controls Legend

- | | | | |
|---|-------------------------|----|--|
| 1 | Hour Meter | 10 | Speed Control Lever |
| 2 | Amp Meter | 11 | Lower Pushbutton |
| 3 | Battery Charge Meter | 12 | Raise Pushbutton |
| 4 | Motor Start Button | 13 | Transmission Engagement Lever * |
| 5 | Motor Stop Button | 14 | Transmission Engagement Lever ** |
| 6 | Depth Stop Knob | 15 | Water Pump Switch (Optional) |
| 7 | Cutting Depth Indicator | 16 | Spotlight Switch (Optional) |
| 8 | Water Valve | 17 | Lowering Speed Metering Valve (Optional) |
| 9 | Handle Lock Knobs | | |
- * For Eaton Transmission Only
** For Sundstrand Transmission Only



(BLANK)

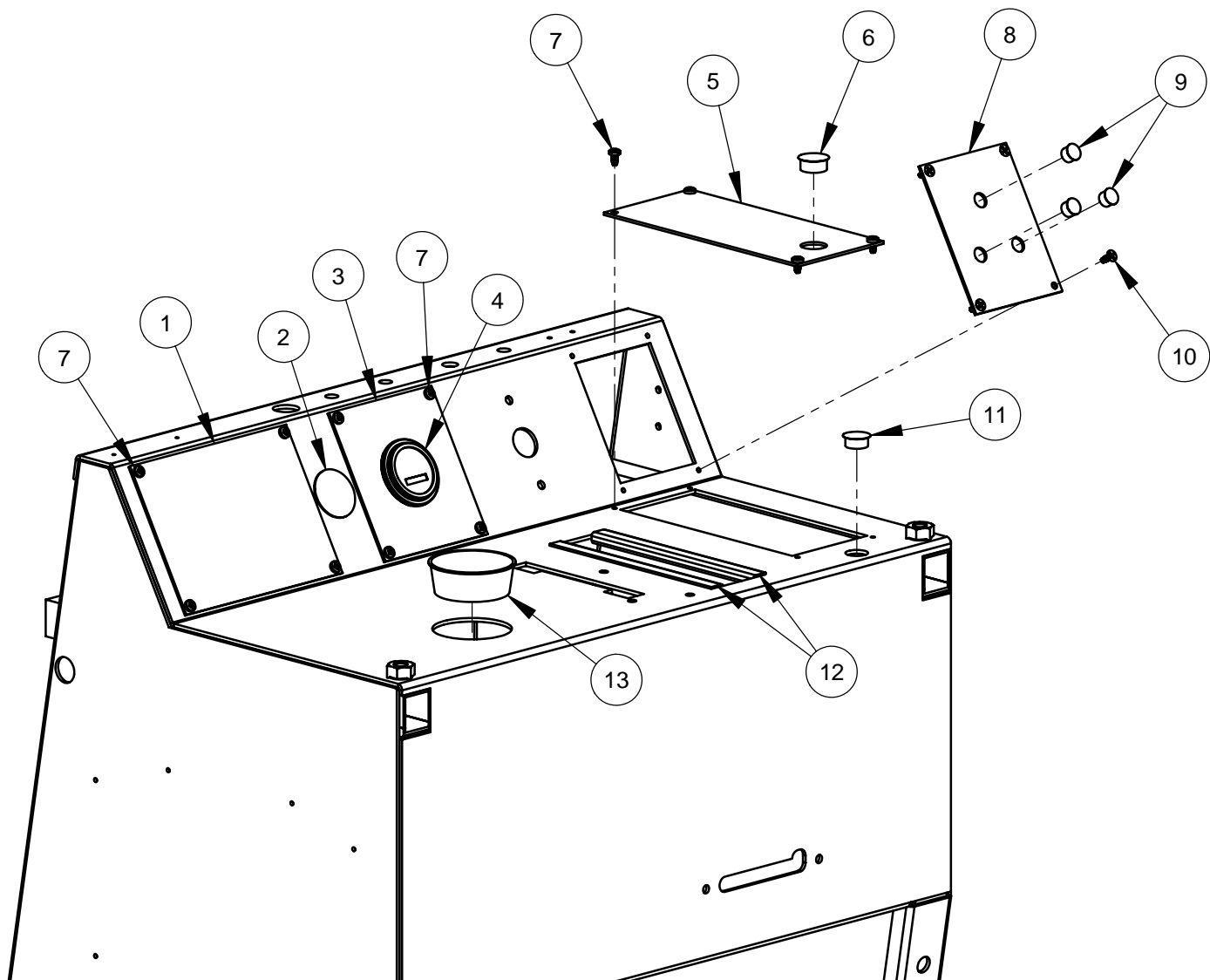
Frame Upright Assembly #6012128



Frame Upright Assembly #6012128

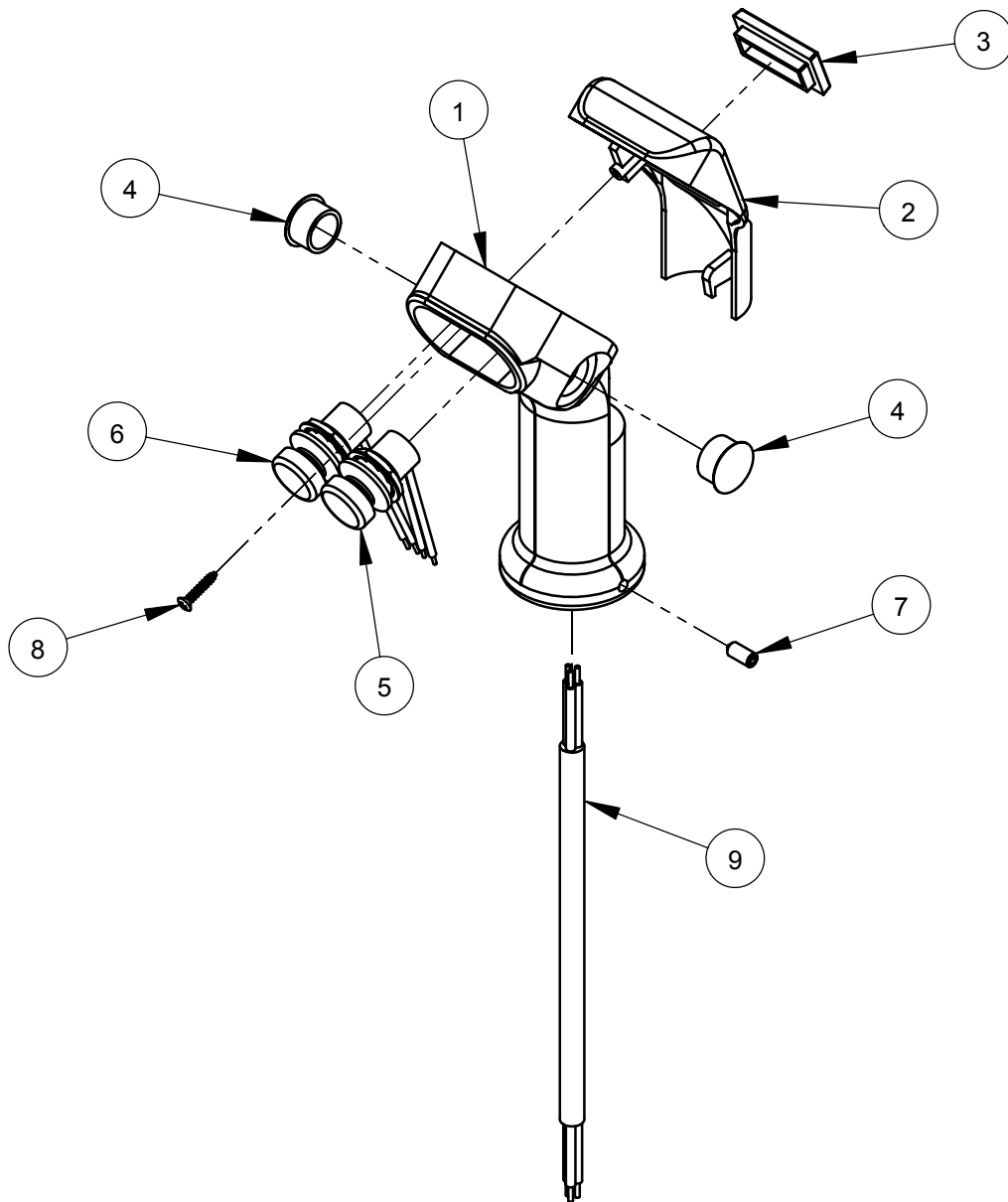
ITEM	PART NO.	QTY.	DESCRIPTION
1	6012138	1	Frame Upright Weldment
2	2900013	2	Cap Screw, Hex Hd., 3/8-16 x 1-1/4"
3	2900014	14	Flat Washer, 3/8" SAE
4	2900018	2	Lock Nut, 3/8-16 Nylon
5	2900499	4	Cap Screw, Hex Hd., 1/2-13 x 1-1/2"
6	2900058	4	Flat Washer, 1/2" SAE
7	2900026	4	Lock Nut, 1/2-13 Nylon
8	6010014	2	Handle Bar, 36" Long
9	2500636	2	Handle Grip
10	2900430	2	Hand Lock Knob, 1/2-13 x 1-1/2"
11	2500211	1	Wrench, 15/16" Open End
12	2501923	1	L-Key, 3/8" Hex
13	2500462	6	Plug, 3/8" Hole
14	2501287	1	Plug, 7/16" Hole
15	2500549	1	Plug, 7/8" Hole
16	2500489	2	Plug, 1" Hole
17	2501146	1	Plug, 1-1/4" Hole
18	1800169	1	Serial Number Plate, US
19	2900096	2	Rivet, 3/32" Dia.
20	1800377	1	Serial Number Plate, CE
21	2900287	2	Rivet, 1/8" Dia.
22	2501427	1	Cable Cleat
23	2900483	2	Tap Screw, Flat Hd., #10-24 x 1"
24	6010166	1	Gate Cover Bar
25	2900144	2	Cap Screw, Hex Hd., 1/4-20 x 3/4"
26	2900010	2	Lock Nut, 1/4-20 Nylon
27	6013042	1	Saw Weight, 57 Pound
28	2900521	4	Tap Bolt, Hex Hd., 3/8-16 x 2-1/2"
29	2900006	8	Lock Washer, 3/8" Split
30	2900033	8	Hex Nut, 3/8-16

Instrument Panel Assembly #6012129



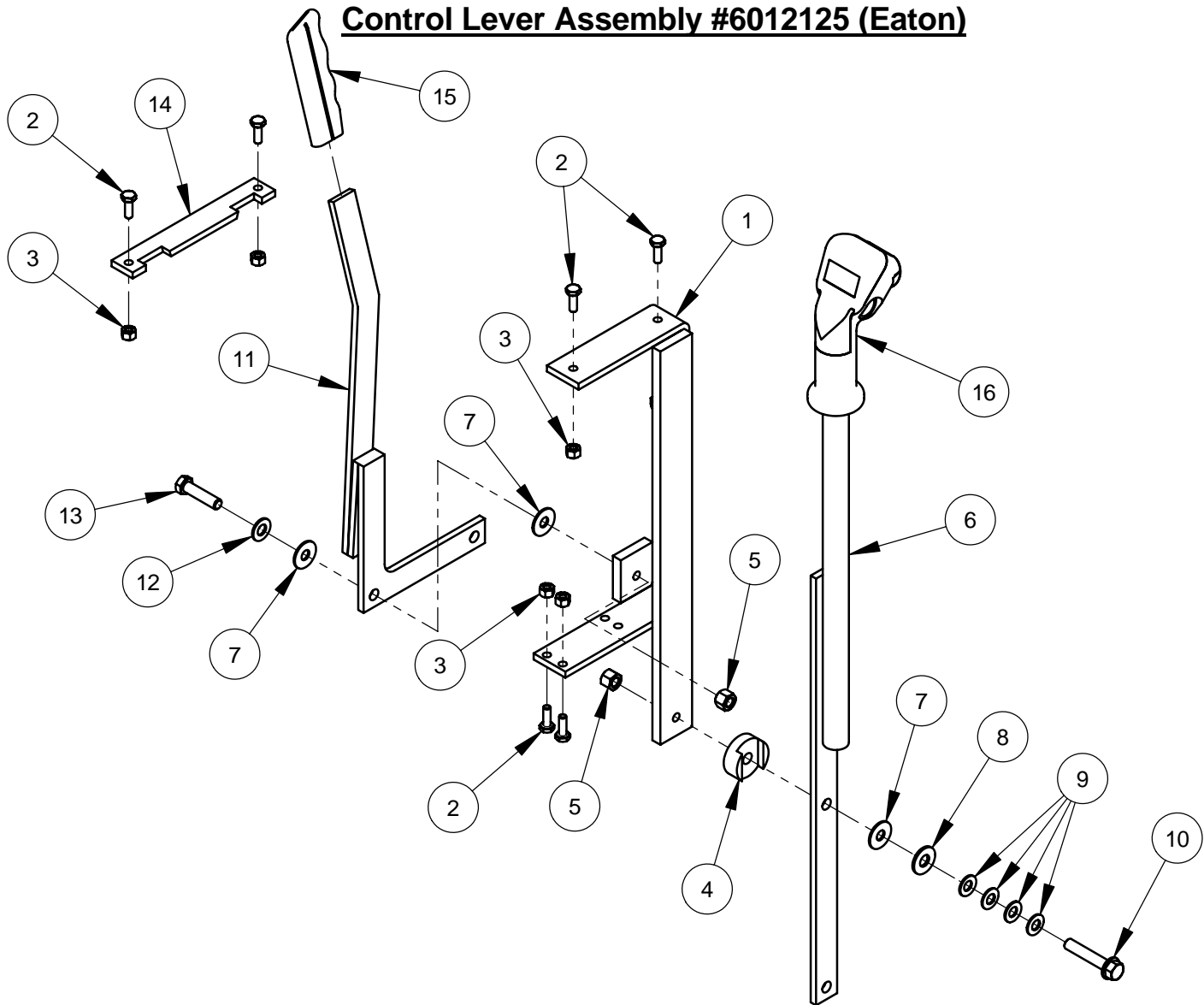
ITEM	PART NO.	QTY.	DESCRIPTION
1	6012030	1	Dash Cover Panel
2	2500554	1	Plug, 1-1/2" Hole
3	6010240	1	Meter Panel (Hour)
4	2800064	1	Hour Meter
5	6011024	1	Hydraulic Pump Cover Plate
6	2500549	1	Plug, 7/8" Hole
7	2900021	12	Tap Screw, Pan Hd., #10-24 x 3/8"
8	6010098	1	Switch Plate
9	2500204	3	Plug, 1/2" Hole
10	2900445	4	Tap Screw, Flat Hd., #10-24 x 1/2"
11	2500463	1	Plug, 3/4" Hole
12	6011031	2	Edge Trim
13	2500381	1	Plug, 2-5/8" Tapered Hole

Control Grip Assembly #6010319



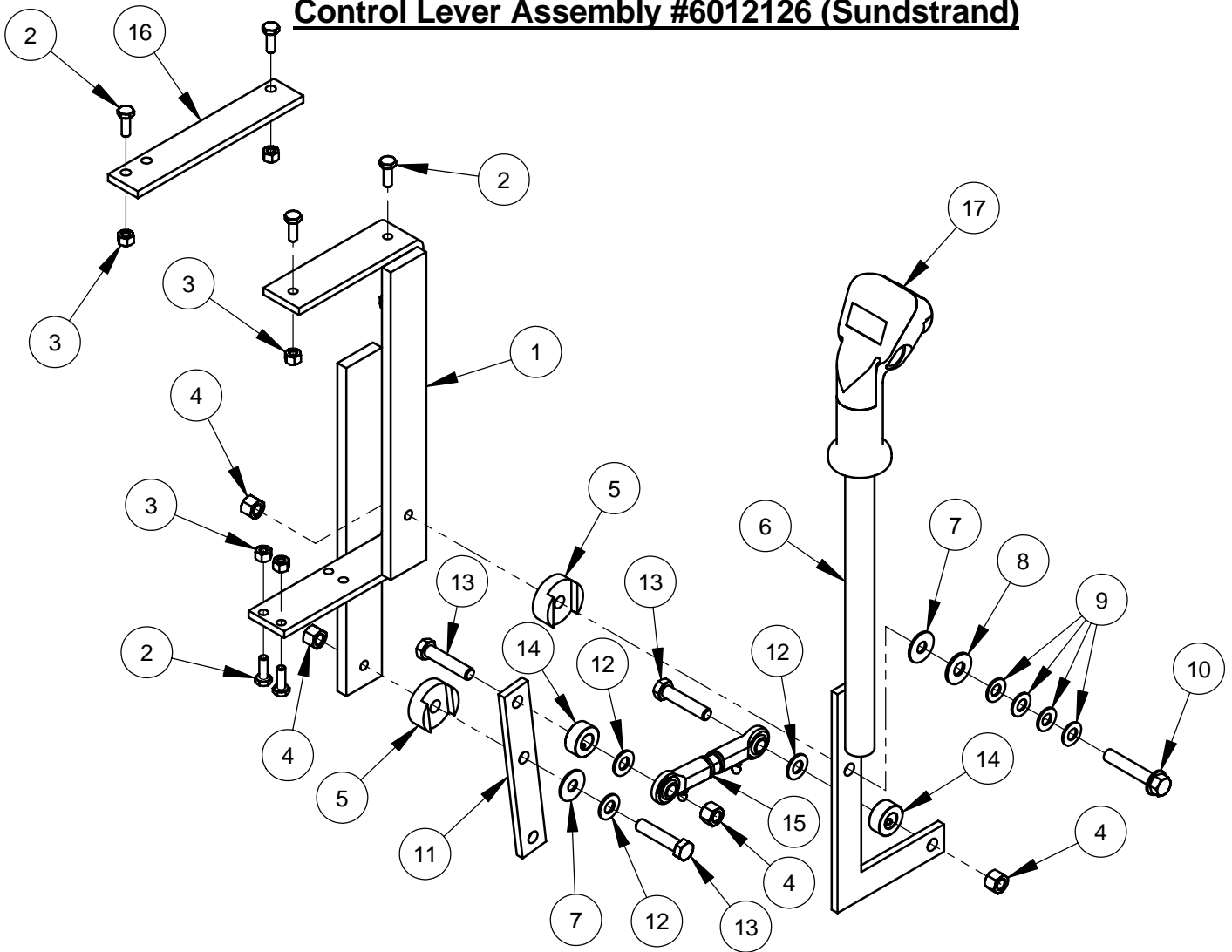
ITEM	PART NO.	QTY.	DESCRIPTION
1	2501280	1	Control Grip Body
2	2501281	1	Control Grip Cover
3	2500644	1	Plug, Rectangular
4	2500694	2	Plug, 5/8" Hole
5	2800372	1	Pushbutton Switch, Raise
6	2800373	1	Pushbutton Switch, Lower
7	2900453	1	Set Screw, Soc. Hd., M5 x 12mm
8	2900452	1	Machine Screw, Oval Hd., #4 x 5/8"
9	2800393	1	Harness, Hydraulic Pump

Control Lever Assembly #6012125 (Eaton)



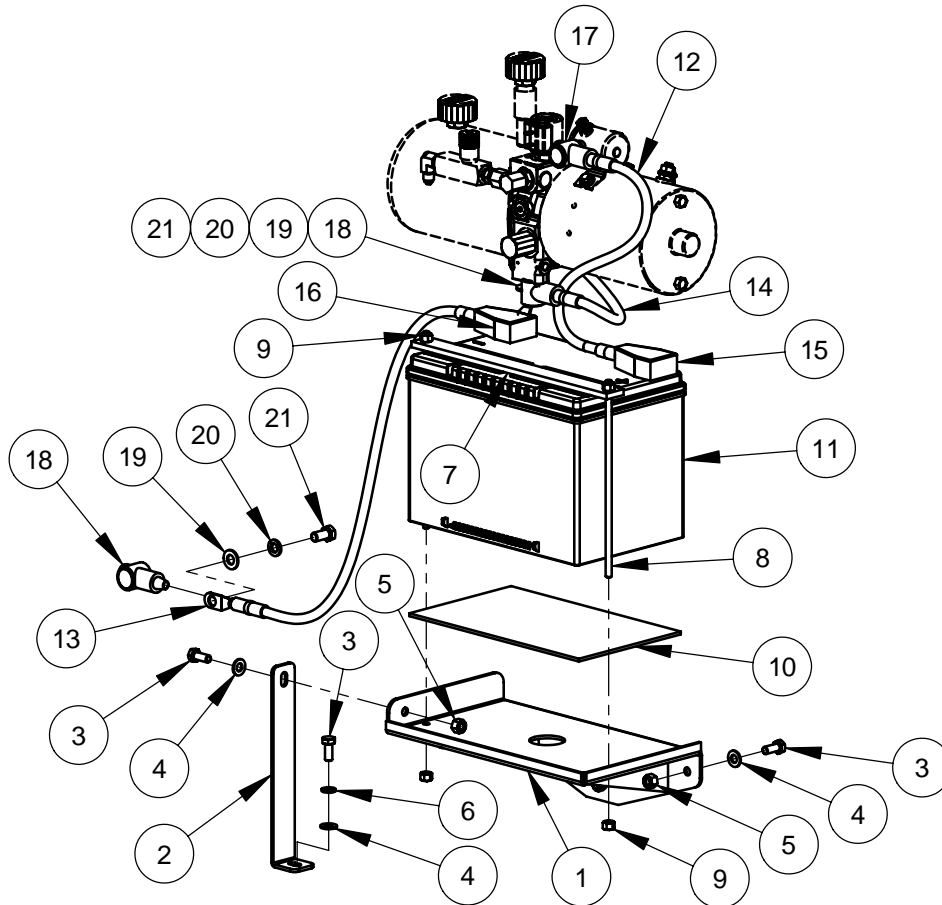
ITEM	PART NO.	QTY.	DESCRIPTION
1	6012057	1	Lever Support Weldment
2	2900144	6	Cap Screw, Hex Hd., 1/4-20 x 3/4"
3	2900010	6	Lock Nut, 1/4-20 Nylon
4	6010055	1	Friction Spacer
5	2900018	2	Lock Nut, 3/8-16 Nylon
6	6011414	1	Speed Control Lever
7	2900153	3	Friction Washer, 3/8"
8	2900473	1	Flat Washer, 3/8" USS
9	2900474	4	Belleville Washer, 3/8"
10	2900472	1	Cap Screw, Hex Flange Hd., 3/8-16 x 2"
11	6010057	1	Engagement Lever Weldment
12	2900014	1	Flat Washer, 3/8" SAE
13	2900029	1	Cap Screw, Hex Hd., 3/8-16 x 1-1/2"
14	6010058	1	Gate Plate
15	2500002	1	Lever Grip
16	6010319	1	Control Grip Assembly

Control Lever Assembly #6012126 (Sundstrand)



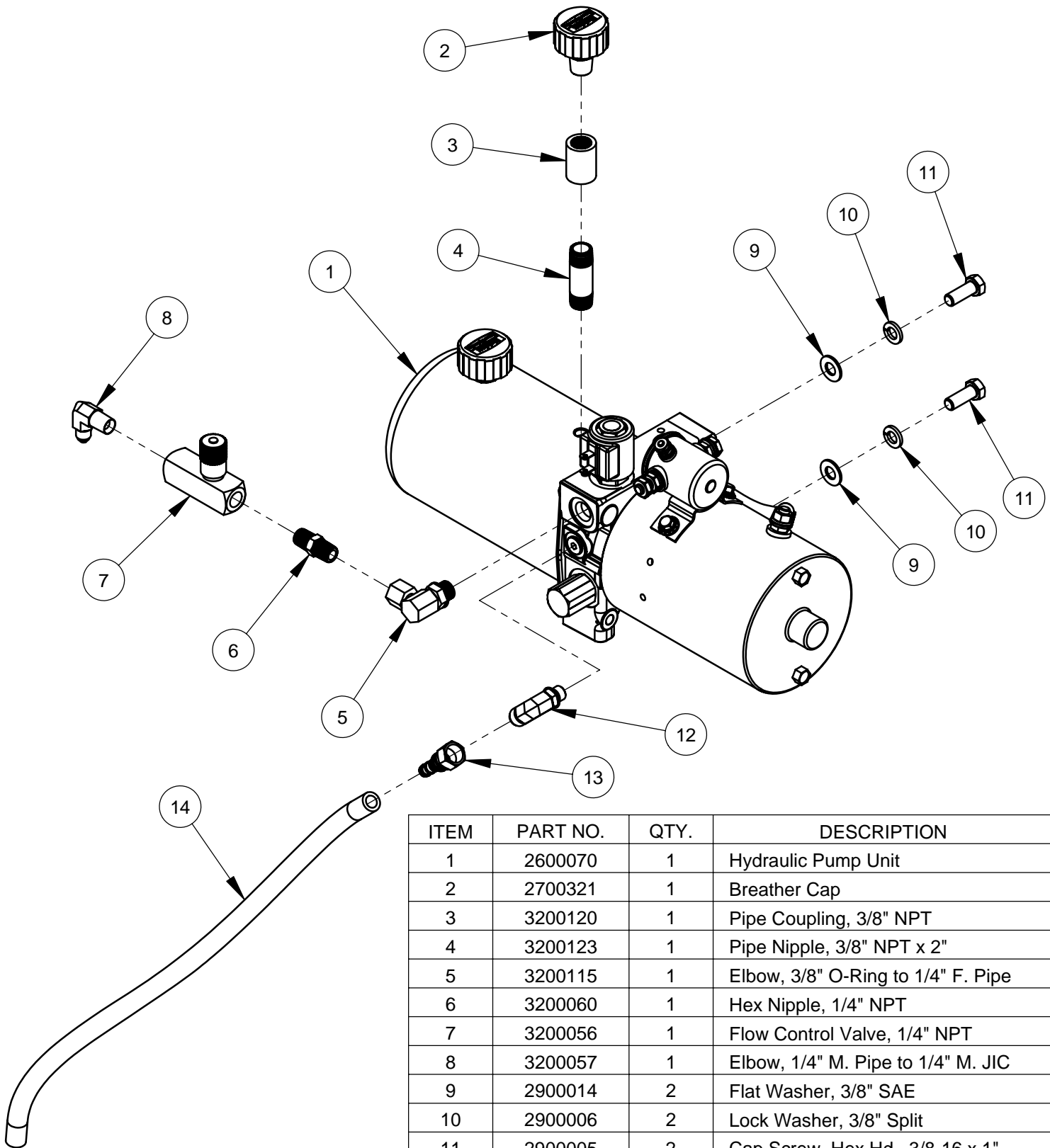
ITEM	PART NO.	QTY.	DESCRIPTION
1	6011018	1	Lever Support Weldment
2	2900144	6	Cap Screw, Hex Hd., 1/4-20 x 3/4"
3	2900010	6	Lock Nut, 1/4-20 Nylon
4	2900018	4	Lock Nut, 3/8-16 Nylon
5	6010055	2	Friction Spacer
6	6010315	1	Speed Control Lever
7	2900153	2	Friction Washer, 3/8"
8	2900473	1	Flat Washer, 3/8" USS
9	2900474	4	Belleville Washer, 3/8"
10	2900472	1	Cap Screw, Hex Flange Hd., 3/8-16 x 2"
11	6011017	1	Linkage Lever
12	2900014	3	Flat Washer, 3/8" SAE
13	2900047	3	Cap Screw, Hex Hd., 3/8-16 x 1-3/4"
14	2500007	2	Set Collar, 1/2" with Set Screw
15	6011301	1	Linkage Assembly 3-3/4"
16	6010166	1	Gate Cover Bar
17	6010319	1	Control Grip Assembly

Battery Assembly #6012131



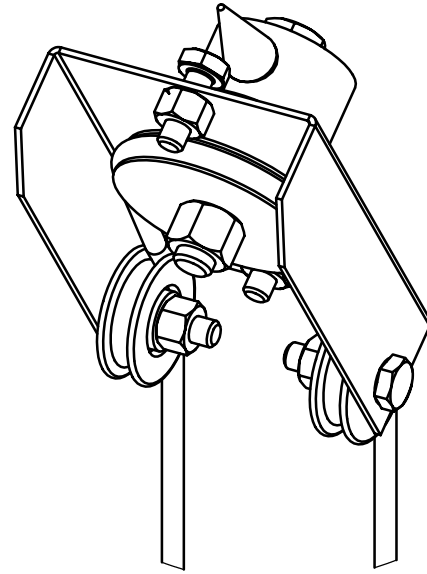
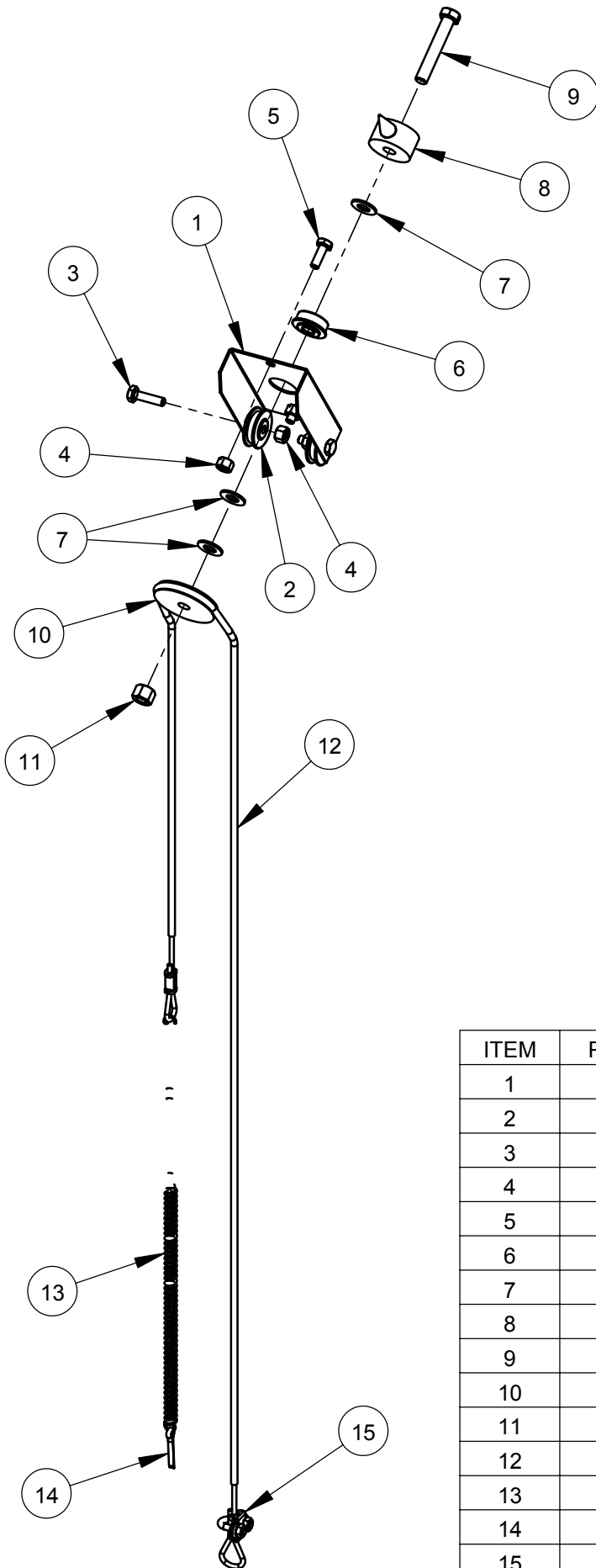
ITEM	PART NO.	QTY.	DESCRIPTION
1	6010670	1	Battery Platform
2	6010554	1	Battery Support Brace
3	2900019	5	Cap Screw, Hex Hd., 5/16-18 x 3/4"
4	2900022	5	Flat Washer, 5/16" SAE
5	2900039	4	Lock Nut, 5/16-18 Nylon
6	2900031	1	Lock Washer, 5/16" Split
7	6010017	1	Battery Top Brace
8	6010018	2	Rod, 1/4-20 x 8-1/2"
9	2900010	4	Lock Nut, 1/4-20 Nylon
10	6010016	1	Battery Pad
11	2700208	1	Battery, 12 Volt Group Size 34
12	2800071	1	Battery Cable, Positive (Red)
13	2800072	1	Battery Cable, Negative (Black)
14	2800182	1	Battery Cable, 14" Negative (Black)
15	2800256	1	Battery Boot, Large (Red)
16	2800257	1	Battery Boot, Large (Black)
17	2800197	1	Battery Boot, Small (Red)
18	2800198	2	Battery Boot, Small (Black)
19	2900014	2	Flat Washer, 3/8" SAE
20	2900006	2	Lock Washer, 3/8" Split
21	2900196	2	Cap Screw, Hex Hd., 3/8-16 x 3/4"

Hydraulic Pump Assembly #6011077
(Includes Items #1 - #11)



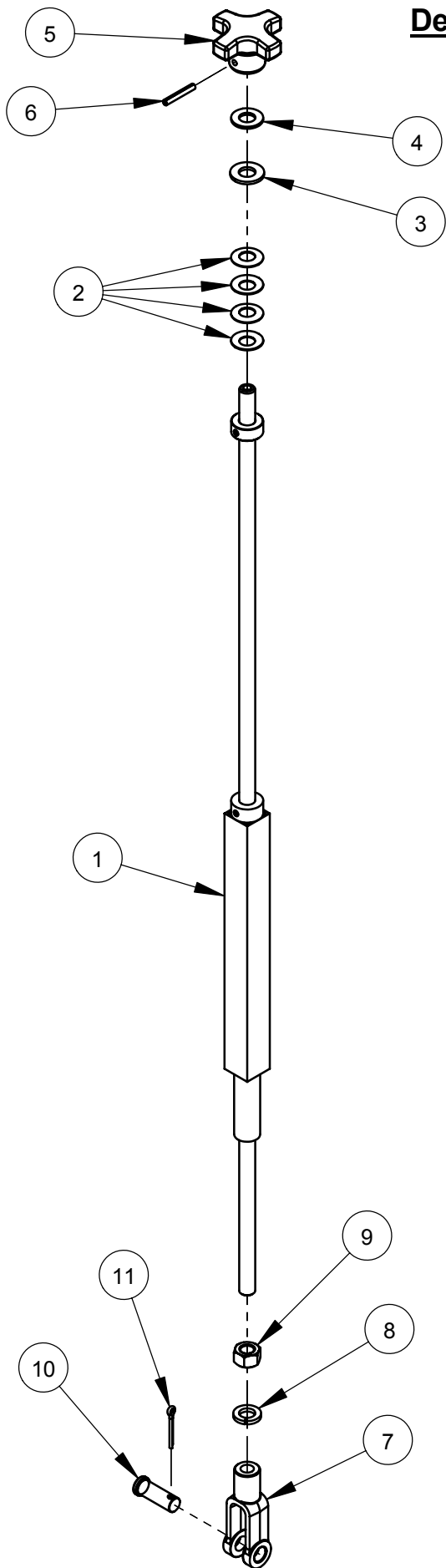
ITEM	PART NO.	QTY.	DESCRIPTION
1	2600070	1	Hydraulic Pump Unit
2	2700321	1	Breather Cap
3	3200120	1	Pipe Coupling, 3/8" NPT
4	3200123	1	Pipe Nipple, 3/8" NPT x 2"
5	3200115	1	Elbow, 3/8" O-Ring to 1/4" F. Pipe
6	3200060	1	Hex Nipple, 1/4" NPT
7	3200056	1	Flow Control Valve, 1/4" NPT
8	3200057	1	Elbow, 1/4" M. Pipe to 1/4" M. JIC
9	2900014	2	Flat Washer, 3/8" SAE
10	2900006	2	Lock Washer, 3/8" Split
11	2900005	2	Cap Screw, Hex Hd., 3/8-16 x 1"
12	3200116	1	Elbow, 1/4" O-Ring to 3/8" M. JIC
13	3200046	1	Fitting, 3/8" F. JIC to 3/8" Push Lock
14	6010059	1	Clear Hose, 3/8" I.D. x 19"

Depth Indicator Assembly #6010214



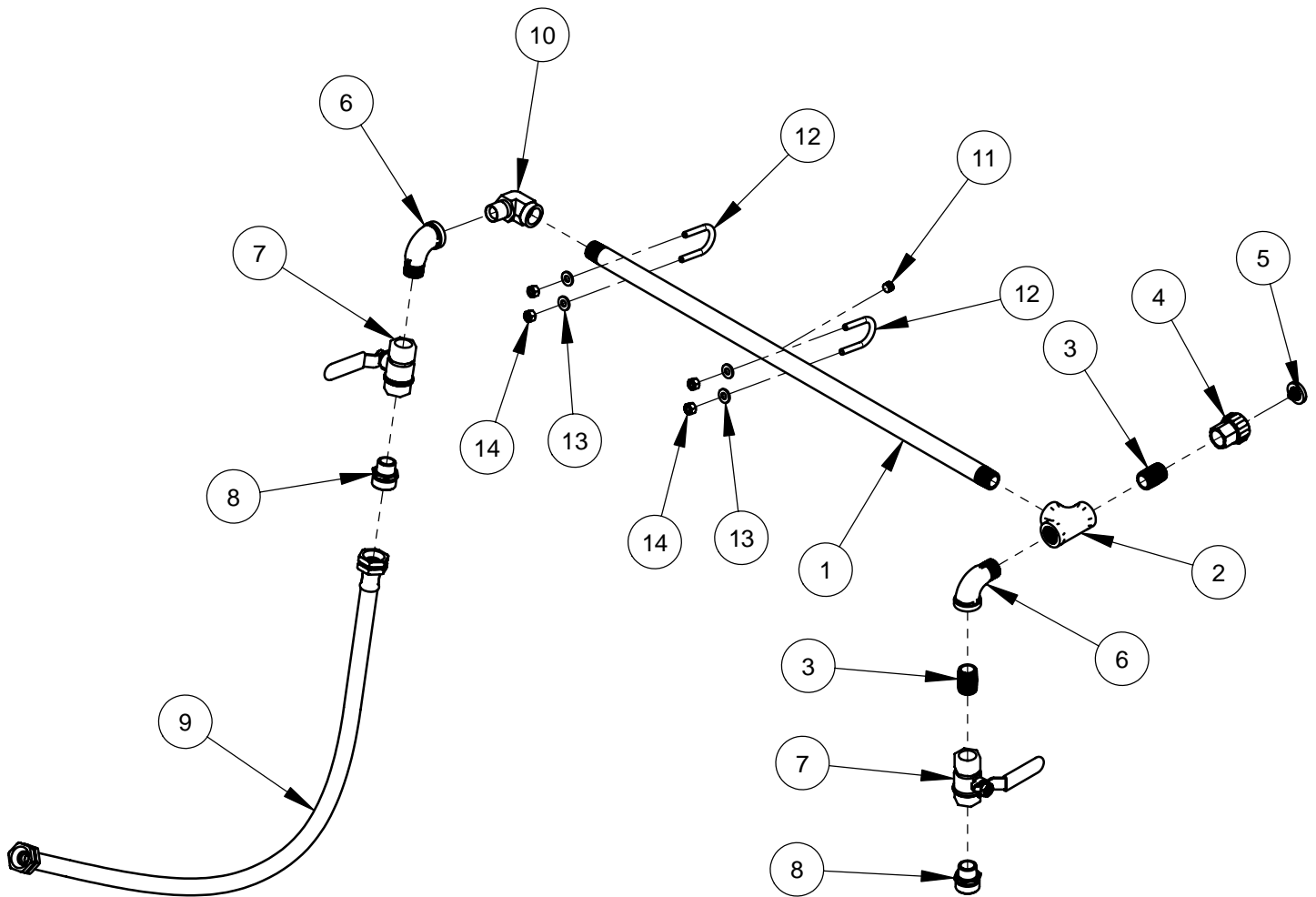
ITEM	PART NO.	QTY.	DESCRIPTION
1	6010092	1	Depth Indicator Mount Bracket
2	2500155	2	Cable Pulley, 1-1/4"
3	2900008	2	Cap Screw, Hex Hd., 1/4-20 x 1"
4	2900010	4	Lock Nut, 1/4-20 Nylon
5	2900144	2	Cap Screw, Hex Hd., 1/4-20 x 3/4"
6	2500145	1	Flange Bearing, 3/8"
7	2900014	3	Flat Washer, 3/8" SAE
8	6010091	1	Depth Indicator Pointer
9	2900079	1	Cap Screw, Hex Hd., 3/8-16 x 2-1/4"
10	6010093	1	Cable Pulley, 2"
11	2900018	1	Lock Nut, 3/8-16 Nylon
12	6010094	1	Depth Indicator Cable with Crimp, 48"
13	2500196	1	Spring, 3/8" x 15"
14	2900055	1	Cotter Pin, 3/16" x 1"
15	2500214	1	Cable Clamp

Depth Stop Assembly #6010215



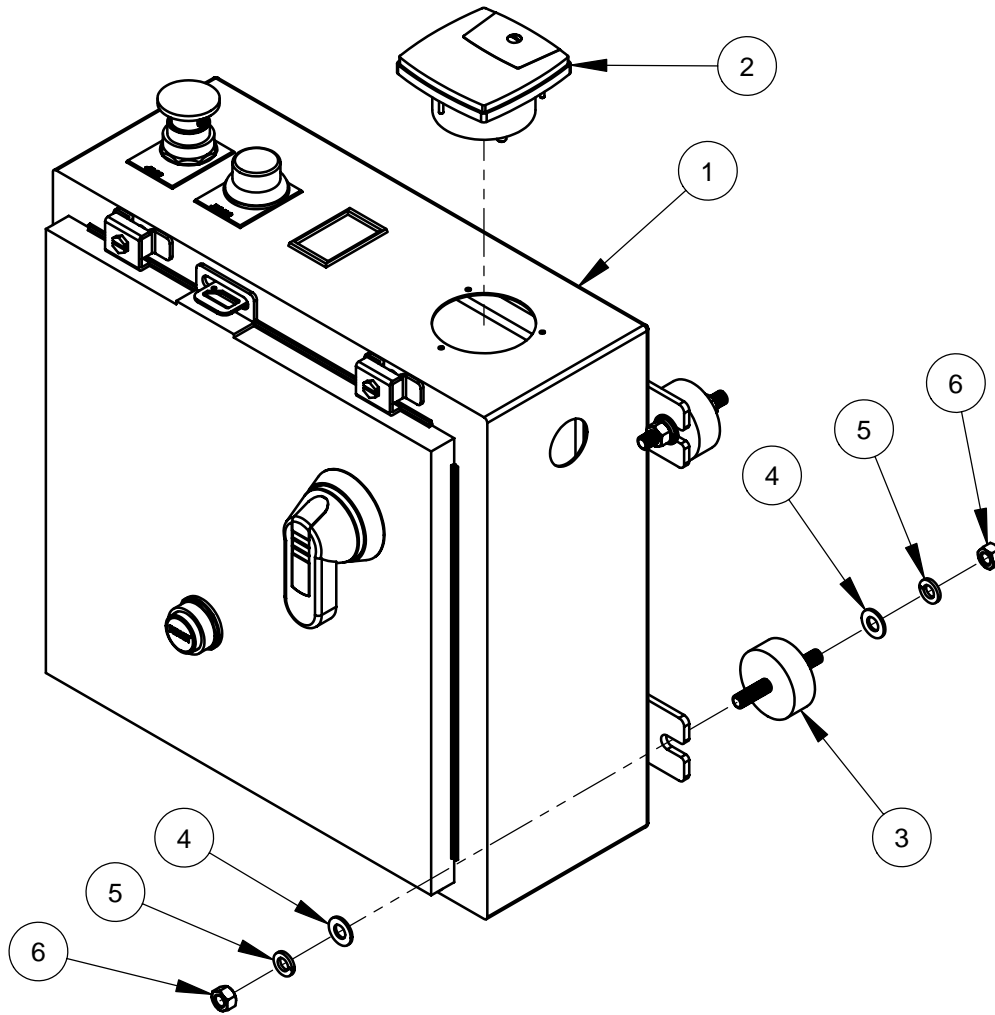
ITEM	PART NO.	QTY.	DESCRIPTION
1	6010097	1	Depth Stop Weldment
2	2900665	4	Belleville Washer, 1/2"
3	2900058	1	Flat Washer, 1/2" SAE
4	2900239	1	Friction Washer, 1/2"
5	6010095	1	Depth Stop Knob
6	2900132	1	Roll Pin, 3/16" x 1-1/4"
7	2900158	1	Yoke, 1/2-13
8	2900084	1	Lock Washer, 1/2" Split
9	2900037	1	Hex Nut, 1/2-13
10	2900007	1	Clevis Pin, 1/2" Dia. x 1-3/8"
11	2900004	1	Cotter Pin, 3/32" x 3/4"

Water Supply Assembly #6012127



ITEM	PART NO.	QTY.	DESCRIPTION
1	6090068	1	Water Supply Tube
2	3200045	1	Pipe Tee, 1/2" NPT
3	3200008	2	Close Nipple, 1/2" NPT
4	3200022	1	Fitting, 1/2" F. Pipe to 3/4" F. Garden
5	3200025	1	Hose Filter Washer
6	3200013	2	Street Elbow, 1/2" NPT
7	3200027	2	Water Valve
8	3200155	2	Fitting, 1/2" M. Pipe to 3/4" M. Garden
9	6010021	1	Water Hose Assembly, 42" Long
10	3200173	1	Street Elbow, 1/2" NPT Steel
11	3200001	1	Plug, 1/8" NPT
12	2900241	2	U-Bolt, 1/2" Pipe
13	2900009	4	Flat Washer, 1/4" SAE
14	2900010	4	Lock Nut, 1/4-20 Nylon

Starter Box Assembly #6012130



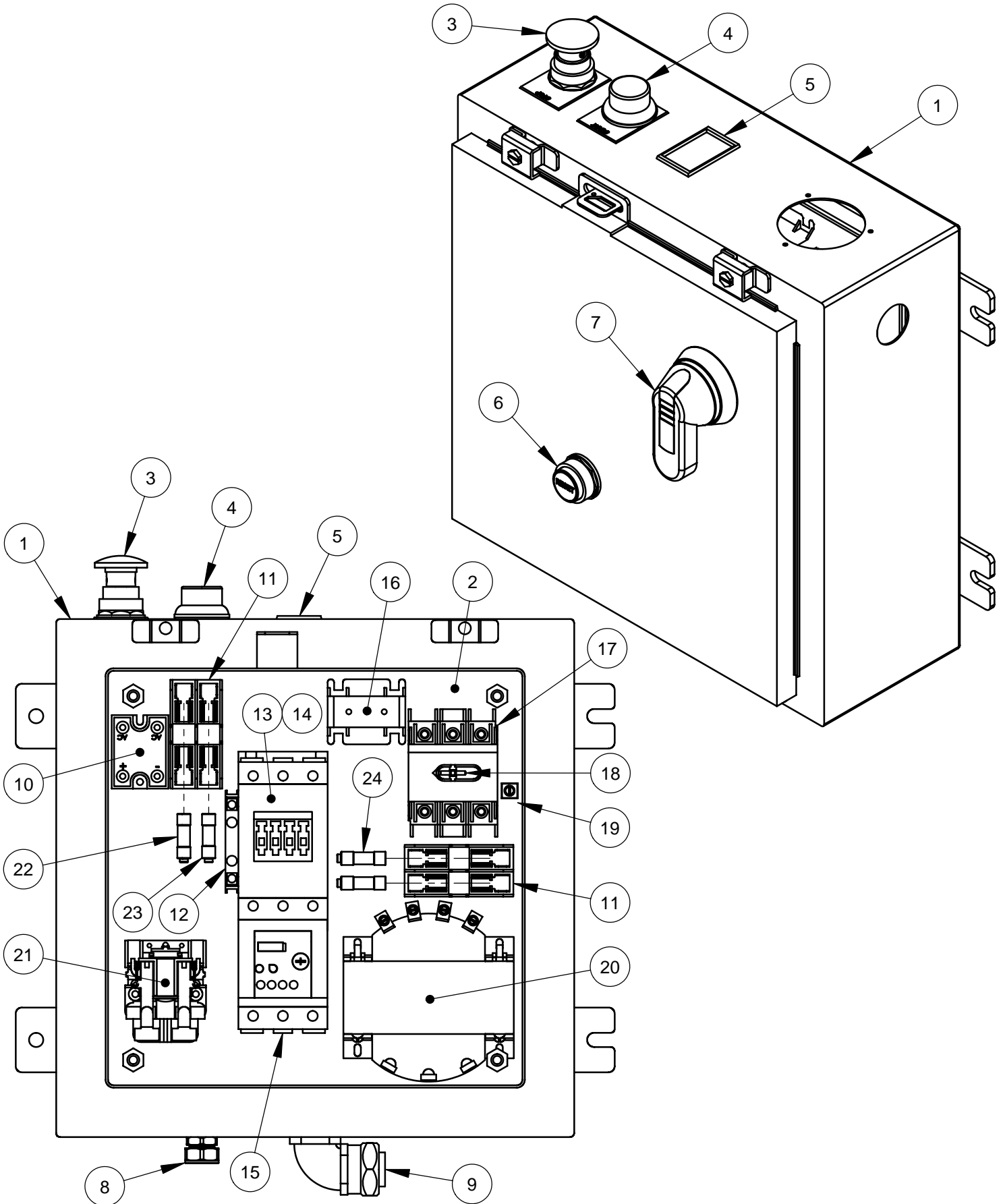
FOR 30HP MOTOR

ITEM	PART NO.	QTY.	DESCRIPTION
1	2800215	1	Starter Box Unit
2	2800203	1	Amp Meter 30HP
3	2500678	4	Vibration Isolator, 3/8-16
4	2900014	8	Flat Washer, 3/8" SAE
5	2900006	8	Lock Washer, 3/8" Split
6	2900033	8	Hex Nut, 3/8-16

FOR 40HP MOTOR

ITEM	PART NO.	QTY.	DESCRIPTION
1	2800215	1	Starter Box Unit
2	2800141	1	Amp Meter 40HP
3	2500678	4	Vibration Isolator, 3/8-16
4	2900014	8	Flat Washer, 3/8" SAE
5	2900006	8	Lock Washer, 3/8" Split
6	2900033	8	Hex Nut, 3/8-16

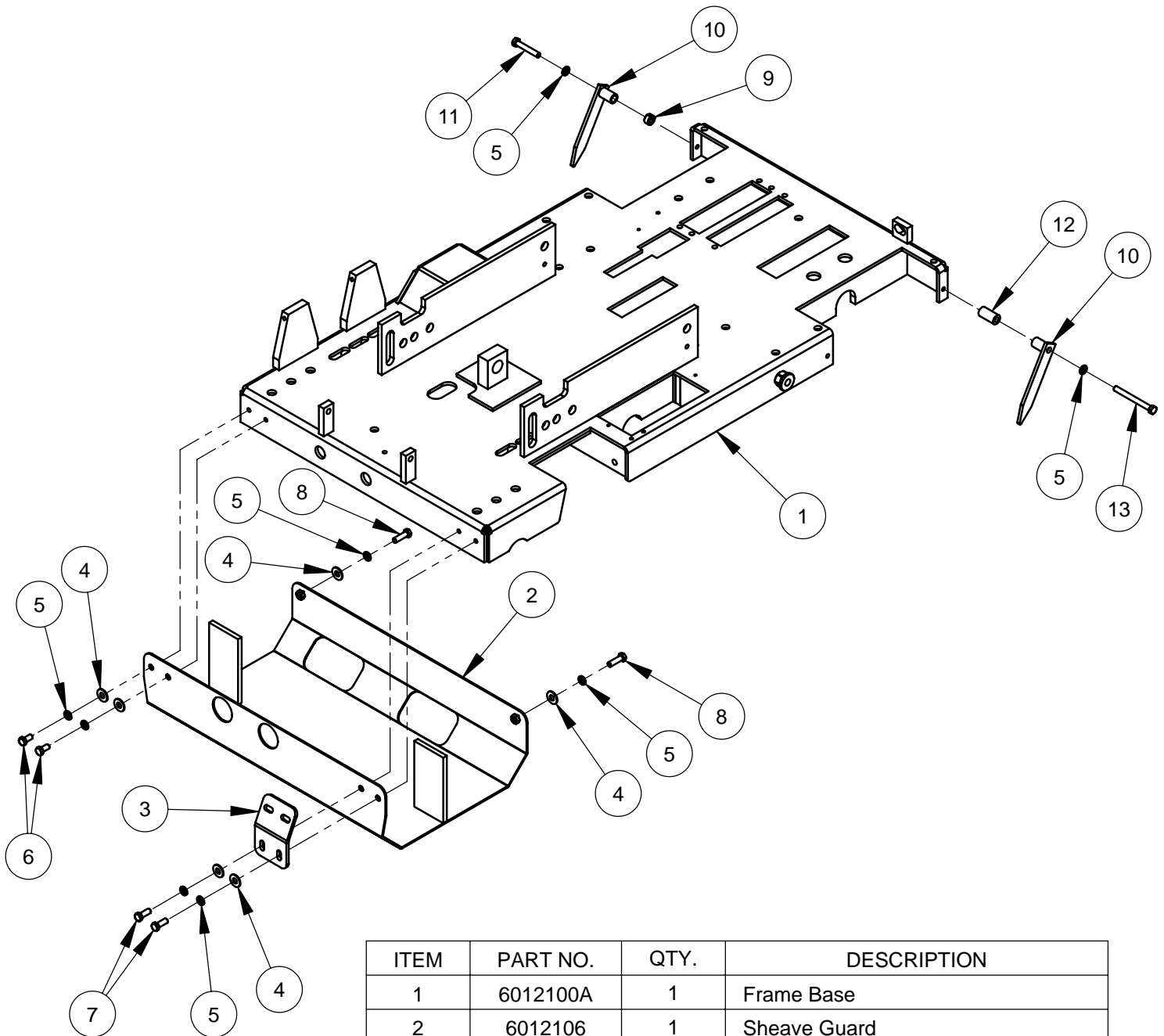
Starter Box Unit #2800215



Starter Box Unit #2800215

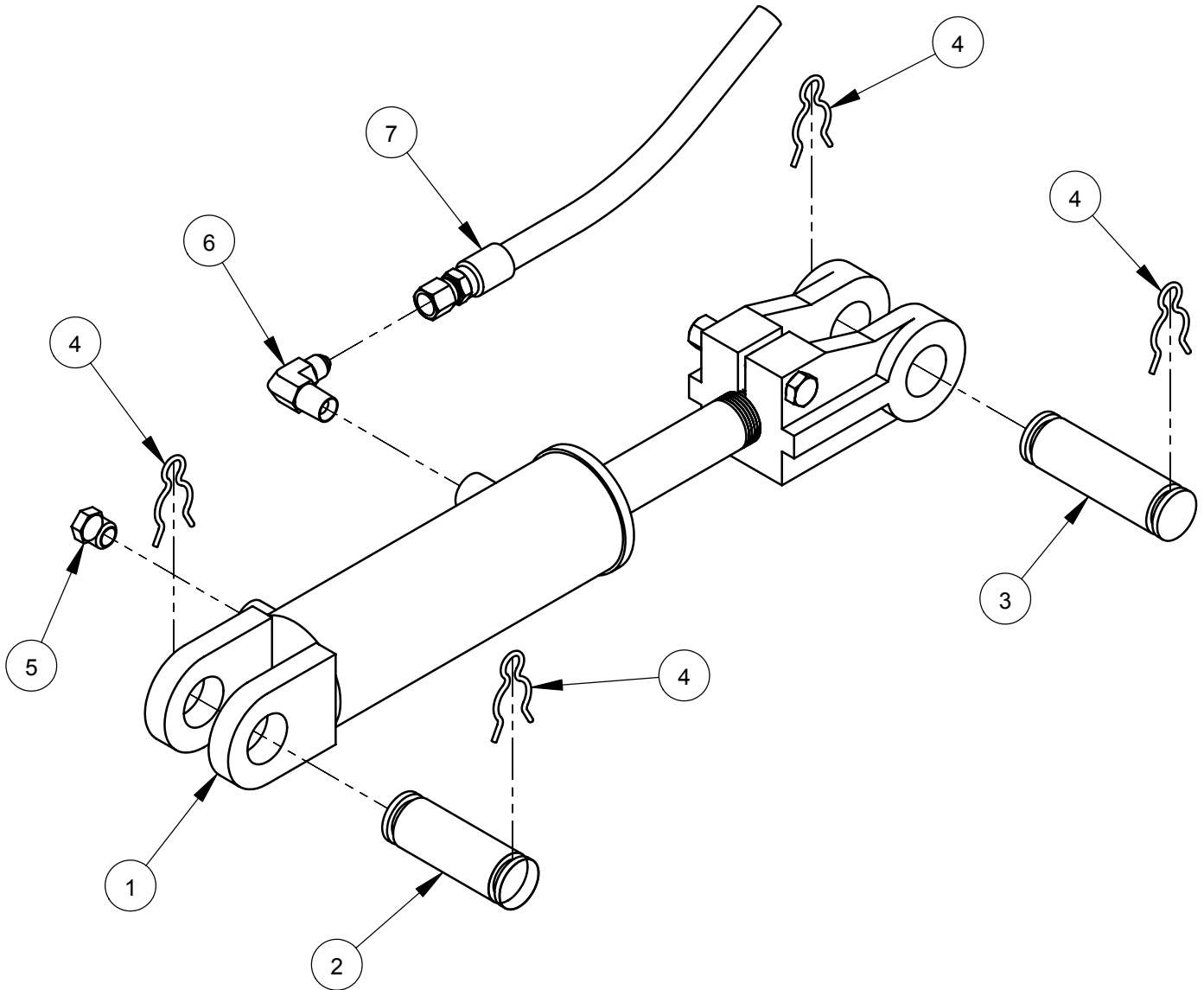
ITEM	PART NO.	QTY.	DESCRIPTION
1	2800240	1	Enclosure
2	2800249	1	Subpanel
3	6011329	1	Stop Button Assembly
	2800599	1	Stop Button Body & Cap
	2800200	1	Contact Block (N.C.)
	1800922	1	Stop Label
4	6011097	1	Start Button Assembly
	2701390	1	Start Button Body
	2701392	1	Contact Block (N.O.)
	2800317	1	Green Button Cap
	2800222	1	Clear Protective Boot
	1800923	1	Start Label
5	2800224	1	Battery Charge Ammeter
6	2800245	1	Reset Button
7	2701870	1	Disconnect Handle
8	2800552	1	Connector, 1/2" Cord
9	2800312	2	Connector, 1" Sealtite Elbow
10	2701274	1	Rectifier Bridge
11	2800299	2	Fuse Holder, 30A-600V Dual
12	2800400	1	Auxiliary Contact (N.O.)
13	2800401	1	Motor Contactor, Siemens
14	2800402	1	Coil, 24V-AC
15	2800403	1	Overload Relay, 25-100A
16	2800248	1	Current Transformer
17	2701267	1	Disconnect Block
18	2701871	1	Disconnect Rod
19	2800315	1	Grounding Lug
20	2701299	1	Transformer, 500VA
21	2701295	1	Power Relay, 12V-DC
22	2701066	1	Fuse, ATQR 10A
23	2701307	1	Fuse, ATMR 25A
24	2701273	2	Fuse, ATQR 4A

Frame Base Assembly #6012110



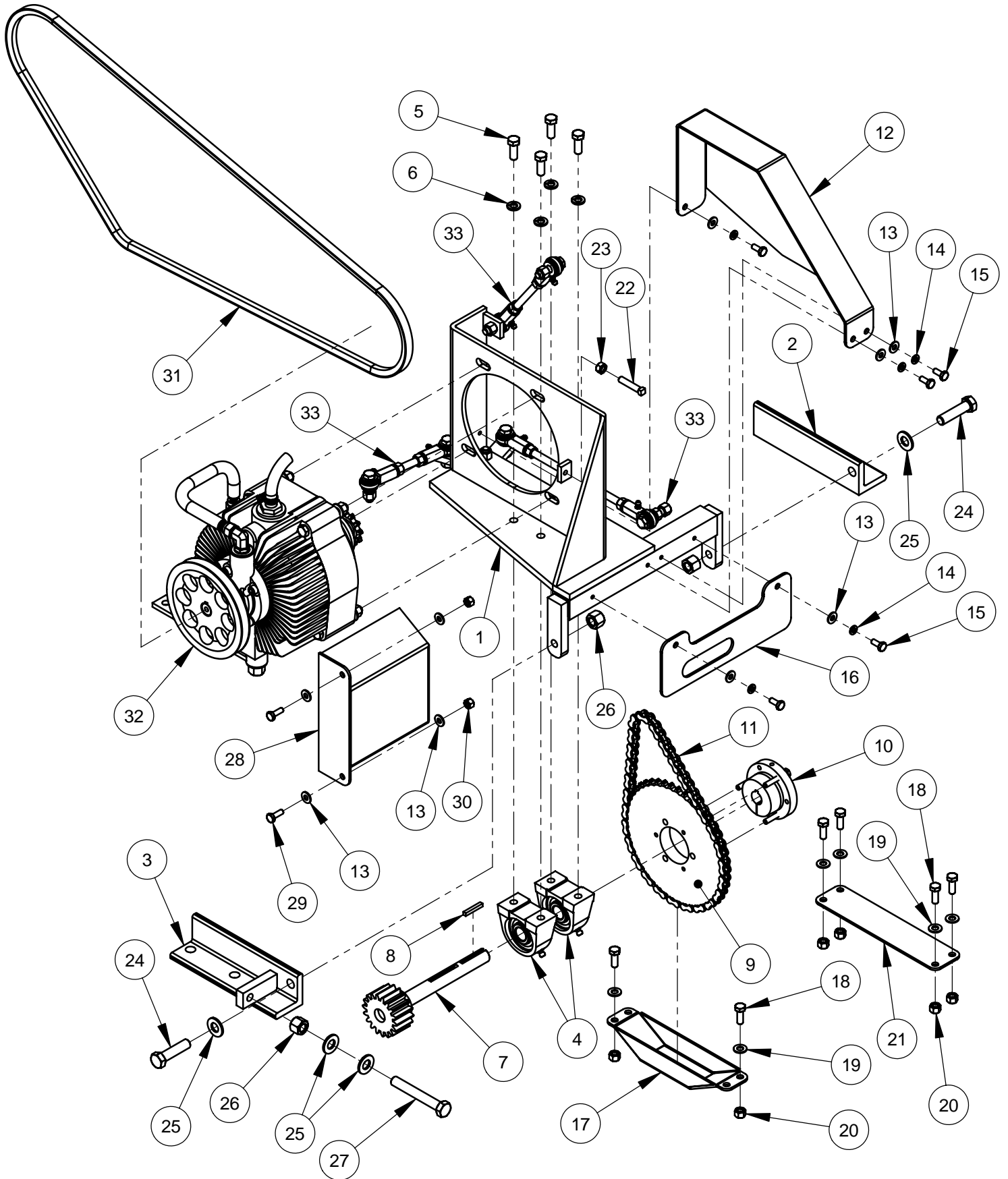
ITEM	PART NO.	QTY.	DESCRIPTION
1	6012100A	1	Frame Base
2	6012106	1	Sheave Guard
3	6012090	1	Guard Attachment Plate (25 degree)
4	2900473	6	Flat Washer, 3/8" USS
5	2900006	8	Lock Washer, 3/8" Split
6	2900196	2	Cap Screw, Hex Hd., 3/8-16 x 3/4"
7	2900005	2	Cap Screw, Hex Hd., 3/8-16 x 1"
8	2900013	2	Cap Screw, Hex Hd., 3/8-16 x 1-1/4"
9	2501603	1	Set Collar, 3/8" with Set Screw
10	6010022	2	Rear Pointer
11	2900079	1	Cap Screw, Hex Hd., 3/8-16 x 2-1/4"
12	2501995	1	Spacer, 1-1/2" Long
13	2900057	1	Cap Screw, Hex Hd., 3/8-16 x 3-3/4"

Hydraulic Cylinder Assembly #6010714



ITEM	PART NO.	QTY.	DESCRIPTION
1	2500177	1	Hydraulic Cylinder
2	6010031	1	Cylinder Pin, 3"
3	6010119	1	Cylinder Pin, 3-1/2"
4	2900064	4	Hair Pin Cotter, 3/4"
5	3200067	1	Cylinder Breather, 1/4" NPT
6	3200057	1	Elbow, 1/4" M. Pipe to 1/4" M. JIC
7	3200054	1	Hose Assembly, 32" Long

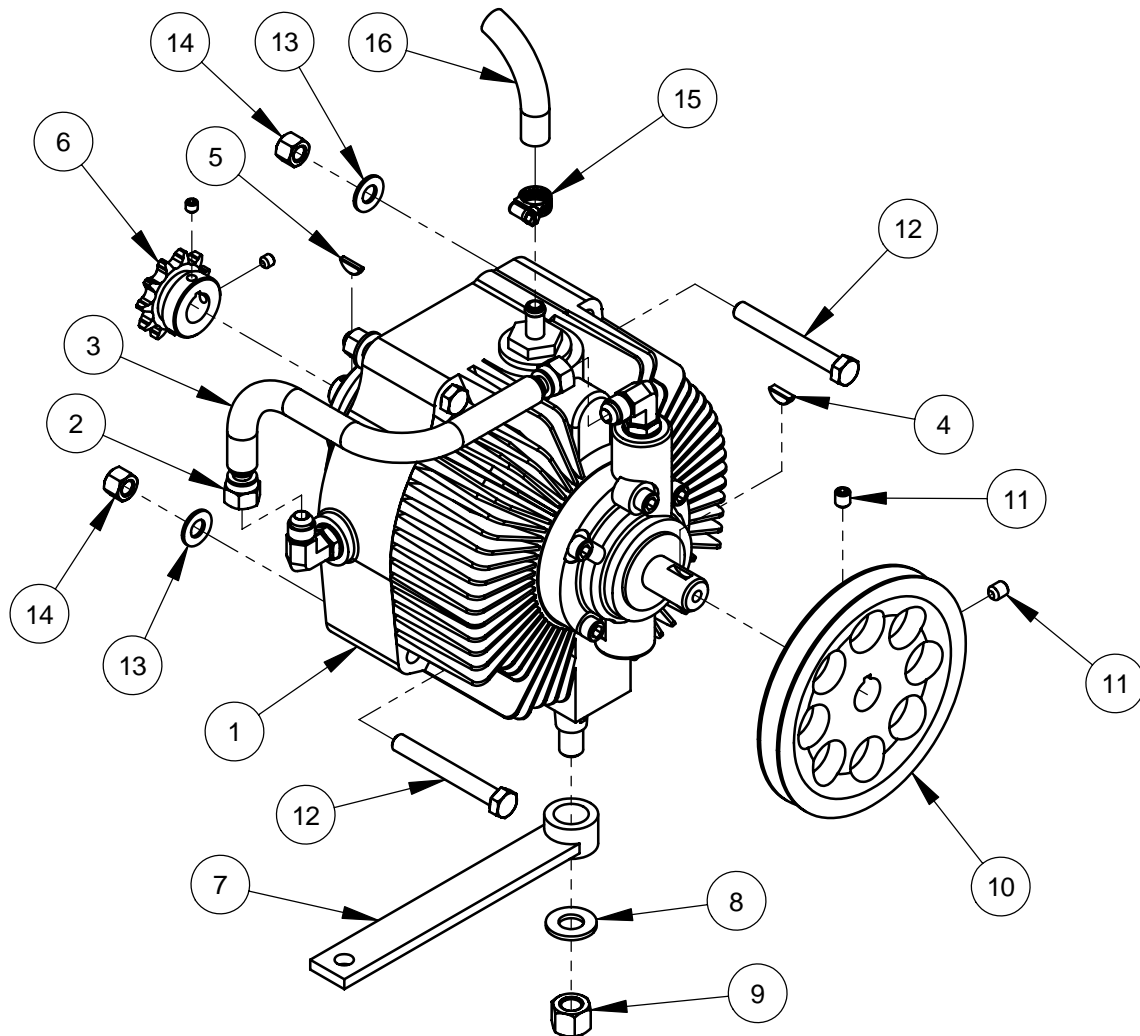
Rear Drive Assembly #6012122 (Eaton)



Rear Drive Assembly #6012122 (Eaton)

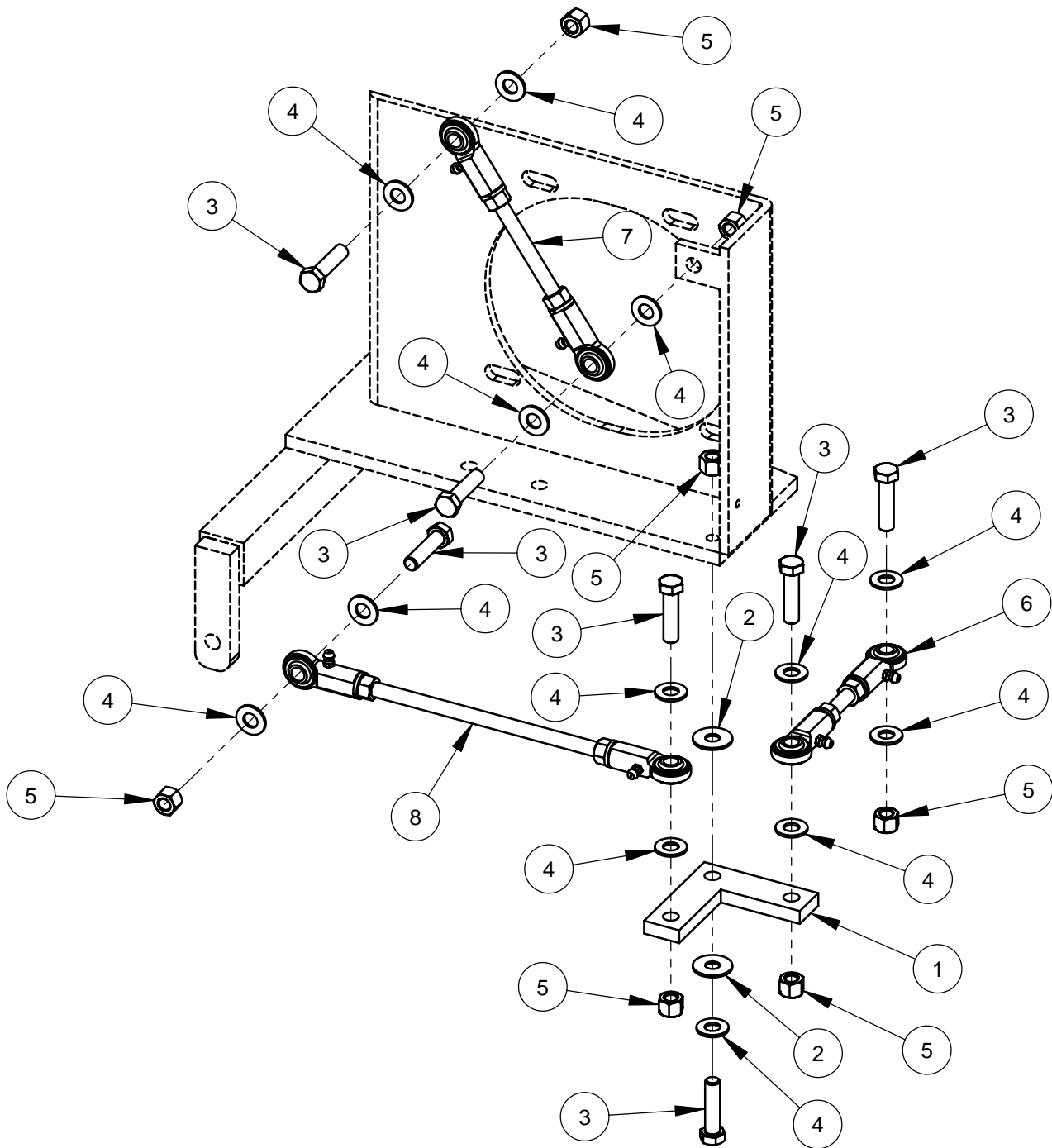
ITEM	PART NO.	QTY.	DESCRIPTION
1	6010068	1	Transmission Platform Weldment
2	6010027	1	Mount Foot, Right Hand
3	6010028	1	Mount Foot, Left Hand
4	2500159	2	Pillow Block Bearing, 3/4"
5	2900005	4	Cap Screw, Hex Hd., 3/8-16 x 1"
6	2900006	4	Lock Washer, 3/8" Split
7	6010664	1	Transmission Jackshaft, 18 Tooth
8	6048229	1	Key, 3/16" Sq. x 1-1/4"
9	2500148	1	Sprocket, #40 x 45 Tooth
10	2500149	1	QD Bushing, SDS x 3/4" w/Fasteners
11	6010069	1	Chain, #40 x 56 Pitch
12	6010671	1	Chain Guard
13	2900009	9	Flat Washer, 1/4" SAE
14	2900024	5	Lock Washer, 1/4" Split
15	2900023	5	Cap Screw, Hex Hd., 1/4-20 x 5/8"
16	6010679	1	Gear Guard
17	6010674	1	Sprocket Guard
18	2900668	6	Cap Screw, Hex Hd., 5/16-18 x 7/8"
19	2900022	6	Flat Washer, 5/16" SAE
20	2900039	6	Lock Nut, 5/16-18 Nylon
21	6010678	1	Cover Plate (Wide)
22	2900140	1	Set Screw, Sq. Hd., 5/16-18 x 1-1/2"
23	2900141	1	Hex Nut, 5/16-18
24	2900106	2	Cap Screw, Hex Hd., 1/2-13 x 2"
25	2900058	4	Flat Washer, 1/2" SAE
26	2900026	3	Lock Nut, 1/2-13 Nylon
27	2900542	1	Tap Bolt, Hex Hd., 1/2-13 x 3-1/2"
28	6010673	1	Fan Guard
29	2900144	2	Cap Screw, Hex Hd., 1/4-20 x 3/4"
30	2900010	2	Lock Nut, 1/4-20 Nylon
31	6012068	1	Link Belt
32	6012123	1	Eaton Transmission Assembly
33	6012124	1	Linkage Assembly

Eaton Transmission Assembly #6012123



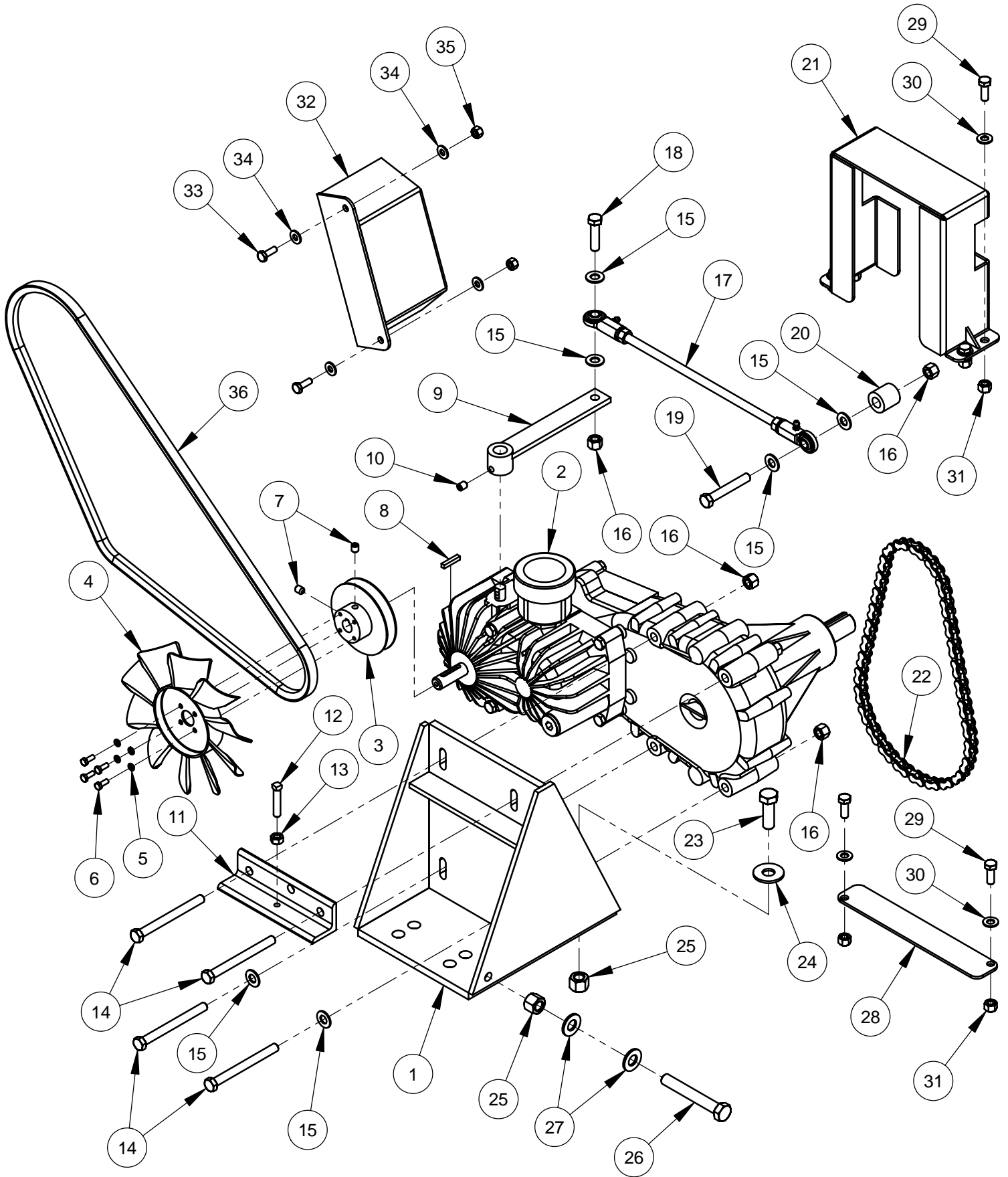
ITEM	PART NO.	QTY.	DESCRIPTION
1	2600068	1	Eaton Hydrostatic Transmission
2	3200046	2	Fitting, 3/8" F. JIC to 3/8" Push Lock
3	6010060	1	Oil Recirculation Hose, 3/8" I.D. x 9"
4	2900143	1	Woodruff Key #61, 3/16" x 5/8"
5	2900063	1	Woodruff Key #405, 1/8" x 5/8"
6	2500150	1	Sprocket, #40 x 11 Tooth w/Setscrews
7	6010064	1	Shift Lever
8	2900058	1	Flat Washer, 1/2" SAE
9	2900026	1	Lock Nut, 1/2-13 Nylon
10	6010682	1	Transmission Pulley 5.5"
11	2900142	2	Set Screw, Soc. Hd., 5/16-18 x 3/8"
12	2900035	4	Cap Screw, Hex Hd., 3/8-16 x 3"
13	2900014	4	Flat Washer, 3/8" SAE
14	2900018	4	Lock Nut, 3/8-16 Nylon
15	3200062	1	Hose Clamp #4
16	6010059	1	Clear Hose, 3/8" I.D. x 19"

Linkage Assembly #6012124



ITEM	PART NO.	QTY.	DESCRIPTION
1	6012058	1	Bell Crank
2	2900153	2	Friction Washer, 3/8"
3	2900029	7	Cap Screw, Hex Hd., 3/8-16 x 1-1/2"
4	2900014	13	Flat Washer, 3/8" SAE
5	2900018	7	Lock Nut, 3/8-16 Nylon
6	6010704	1	Linkage Assembly 5-1/8"
7	6012094	1	Linkage Assembly 6-3/4"
8	6012095	1	Linkage Assembly 10-1/2"

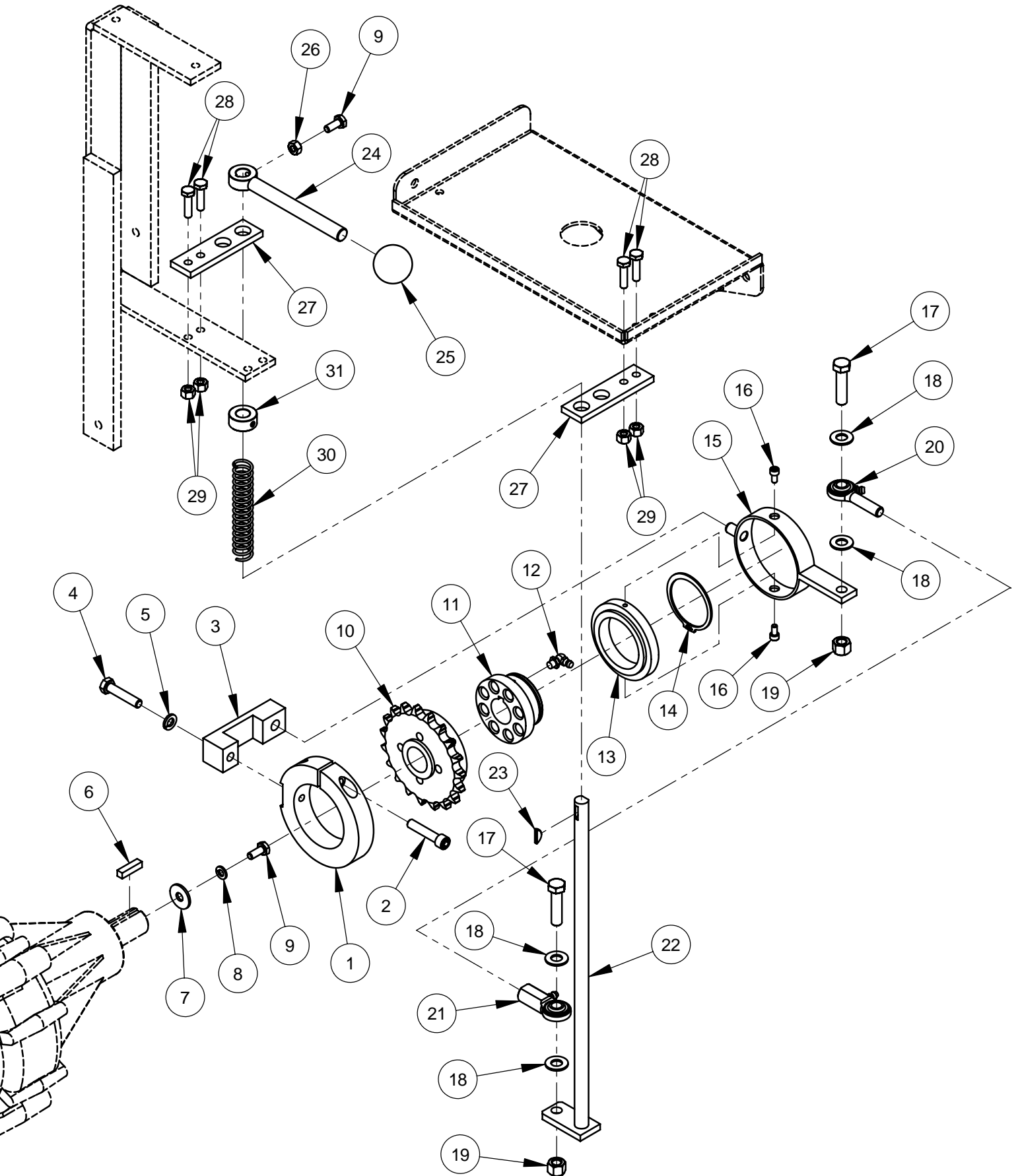
Rear Drive Assembly #6012119 (Sundstrand)



Rear Drive Assembly #6012119 (Sundstrand)

ITEM	PART NO.	QTY.	DESCRIPTION
1	6010118	1	Transmission Platform
2	2600021	1	Hydrostatic Transaxle Assembly
3	6011037	1	Transmission Pulley 3.5"
4	2500519	1	Cooling Fan, 7"
5	2900038	4	Lock Washer, #10 Split
6	2900448	4	Machine Screw, Hex Hd., #10-32 x 1/2"
7	2900142	2	Set Screw, Soc. Hd., 5/16-18 x 3/8"
8	6010170	1	Key, 3/16" Sq. x 1"
9	6010129	1	Shift Lever
10	2900429	1	Set Screw, Soc. Hd., 5/16-24 x 1/2"
11	6010120	1	Chain Tensioning Bracket
12	2900140	1	Set Screw, Sq. Hd., 5/16-18 x 1-1/2"
13	2900141	1	Hex Nut, 5/16-18
14	2900160	4	Cap Screw, Hex Hd., 3/8-16 x 4"
15	2900014	6	Flat Washer, 3/8" SAE
16	2900018	6	Lock Nut, 3/8-16 Nylon
17	6011302	1	Linkage Assembly 13-1/2"
18	2900029	1	Cap Screw, Hex Hd., 3/8-16 x 1-1/2"
19	2900596	1	Cap Screw, Hex Hd., 3/8-16 x 2-1/2"
20	6030126	1	Spacer, 1"
21	6010672B	1	Chain Guard
22	6010130	1	Chain, #50 x 50 pitch
23	2900499	1	Cap Screw, Hex Hd., 1/2-13 x 1-1/2"
24	2900127	1	Flat Washer, 1/2" USS
25	2900026	2	Lock Nut, 1/2-13 Nylon
26	2900542	1	Tap Bolt, Hex Hd., 1/2-13 x 3-1/2"
27	2900058	2	Flat Washer, 1/2" SAE
28	6010677	1	Cover Plate (Narrow)
29	2900668	6	Cap Screw, Hex Hd., 5/16-18 x 7/8"
30	2900022	6	Flat Washer, 5/16" SAE
31	2900039	6	Lock Nut, 5/16-18 Nylon
32	6012136	1	Fan Guard
33	2900144	2	Cap Screw, Hex Hd., 1/4-20 x 3/4"
34	2900009	4	Flat Washer, 1/4" SAE
35	2900010	2	Lock Nut, 1/4-20 Nylon
36	6012017	1	Link Belt

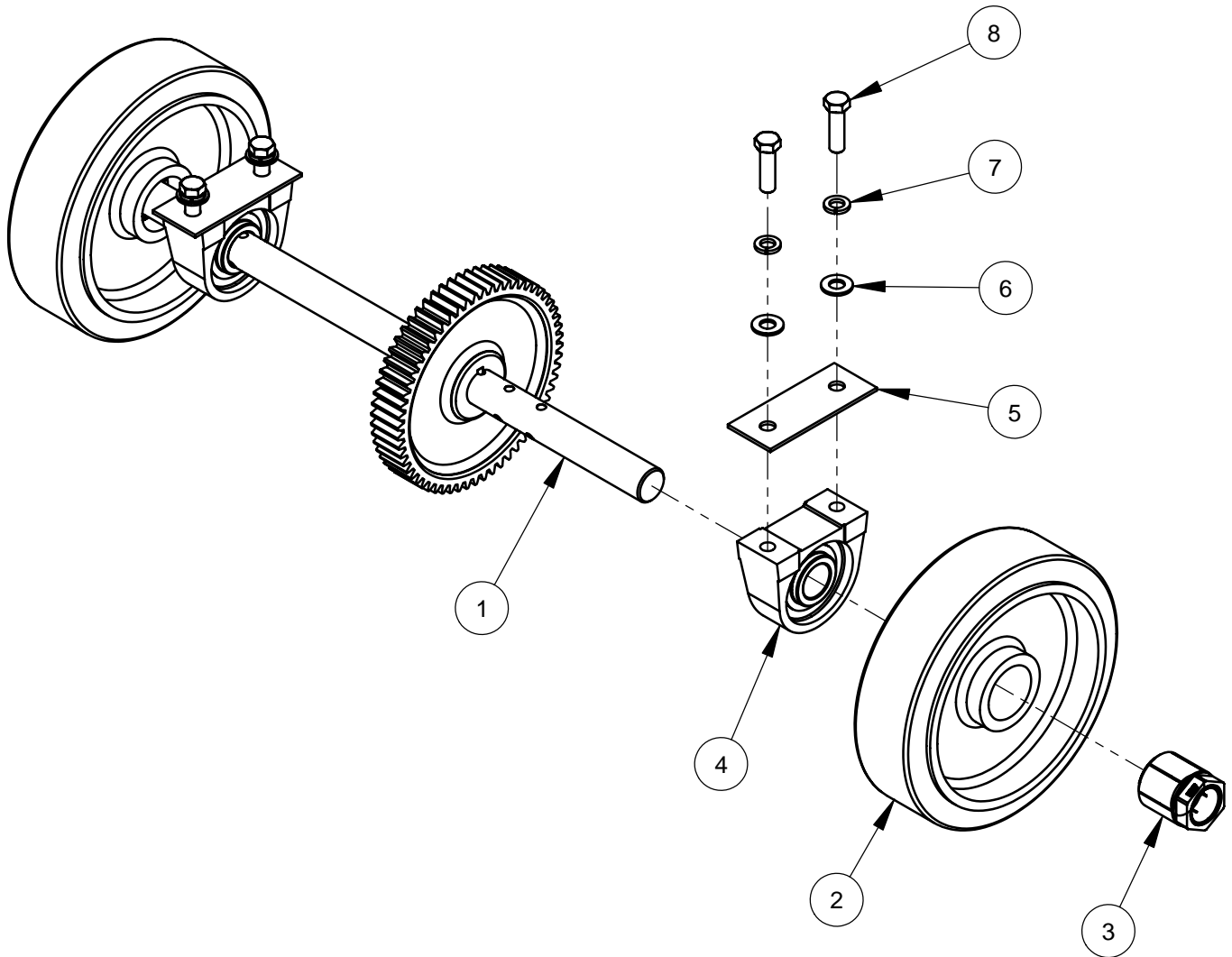
Free Wheeling Clutch Assembly #6010179 (Sundstrand)



Free Wheeling Clutch Assembly #6010179 (Sundstrand)

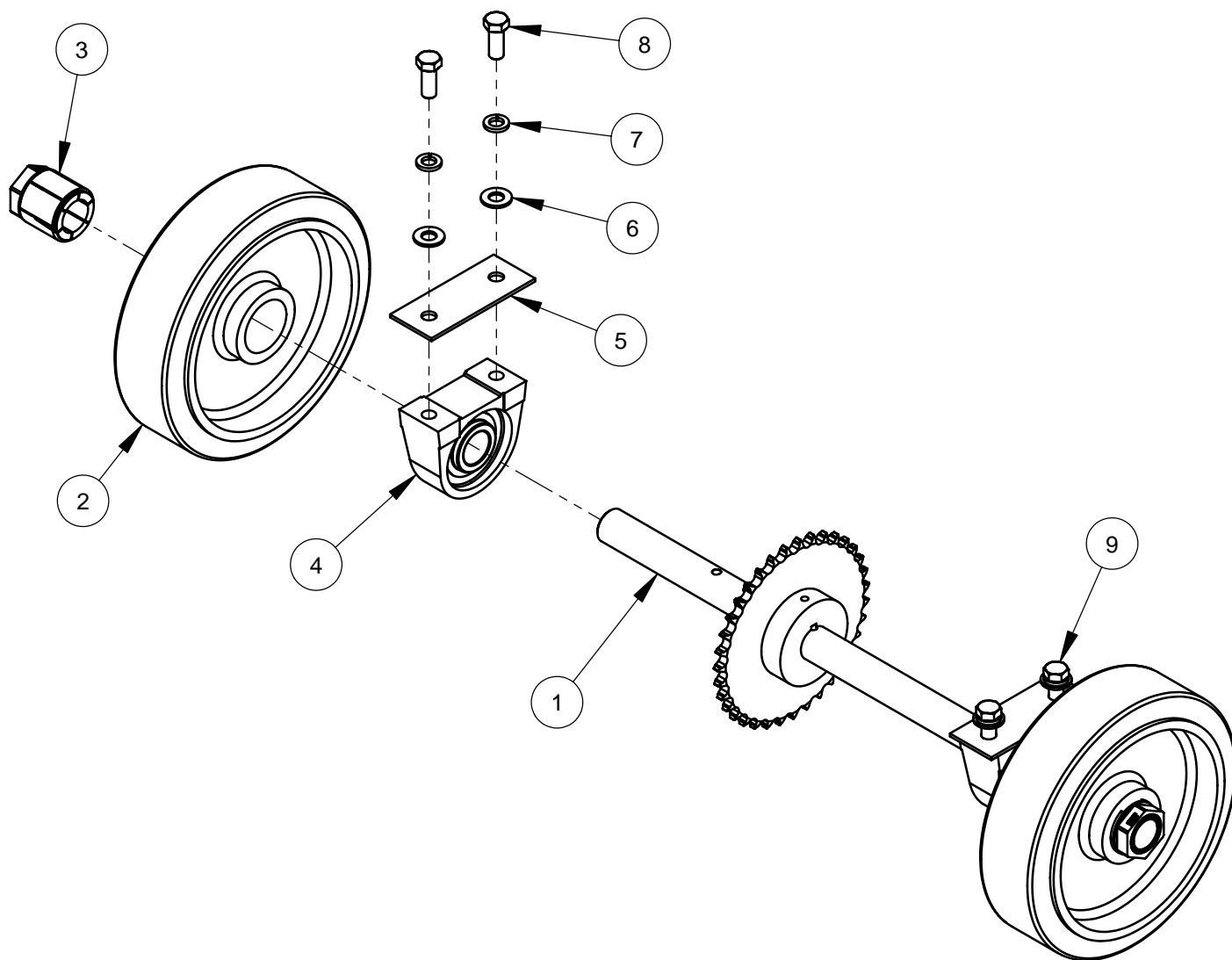
ITEM	PART NO.	QTY.	DESCRIPTION
1	6011043	1	Clutch Clamp
2	2900233	1	Cap Screw, Soc. Hd., 5/16-18 x 1-1/2"
3	6011044	1	Clutch Brace
4	2900508	1	Cap Screw, Hex Hd., 5/16-18 x 1-1/2"
5	2900031	1	Lock Washer, 5/16" Split
6	6011089	1	Key, 1/4" Sq. x 1" Long
7	2900383	1	Fender Washer, M8
8	2900024	1	Lock Washer, 1/4" Split
9	2900023	2	Cap Screw, Hex Hd., 1/4-20 x 5/8"
10	6012055	1	Clutch Sprocket Assembly, 19 Tooth
11	6011088	1	Clutch Hub
12	2900061	1	Grease Fitting, 1/4-28 x 90 Degree
13	6011041	1	Clutch Ring with Bearing
14	2500374	1	Retaining Ring, 2" External
15	6011042	1	Clutch Yoke
16	2900117	2	Cap Screw, Soc. Hd., #10-24 x 3/8"
17	2900029	2	Cap Screw, Hex Hd., 3/8-16 x 1-1/2"
18	2900014	4	Flat Washer, 3/8" SAE
19	2900018	2	Lock Nut, 3/8-16 Nylon
20	2500886	1	Rod End, 3/8-24 Male
21	2500152	1	Rod End, 3/8-24 Female
22	6011050	1	Engagement Lever
23	2900063	1	Woodruff Key #405, 1/8" x 5/8"
24	6011051	1	Engagement Handle
25	2400007	1	Knob, 1/2-20 x 1-3/8" Dia.
26	2900125	1	Hex Nut, 1/4-20
27	6011099	2	Lever Guide
28	2900008	4	Cap Screw, Hex Hd., 1/4-20 x 1"
29	2900010	4	Lock Nut, 1/4-20 Nylon
30	2500375	1	Compression Spring
31	2500007	1	Set Collar, 1/2" with Set Screw

Rear Axle Assembly #6012117 (Eaton / Gear)



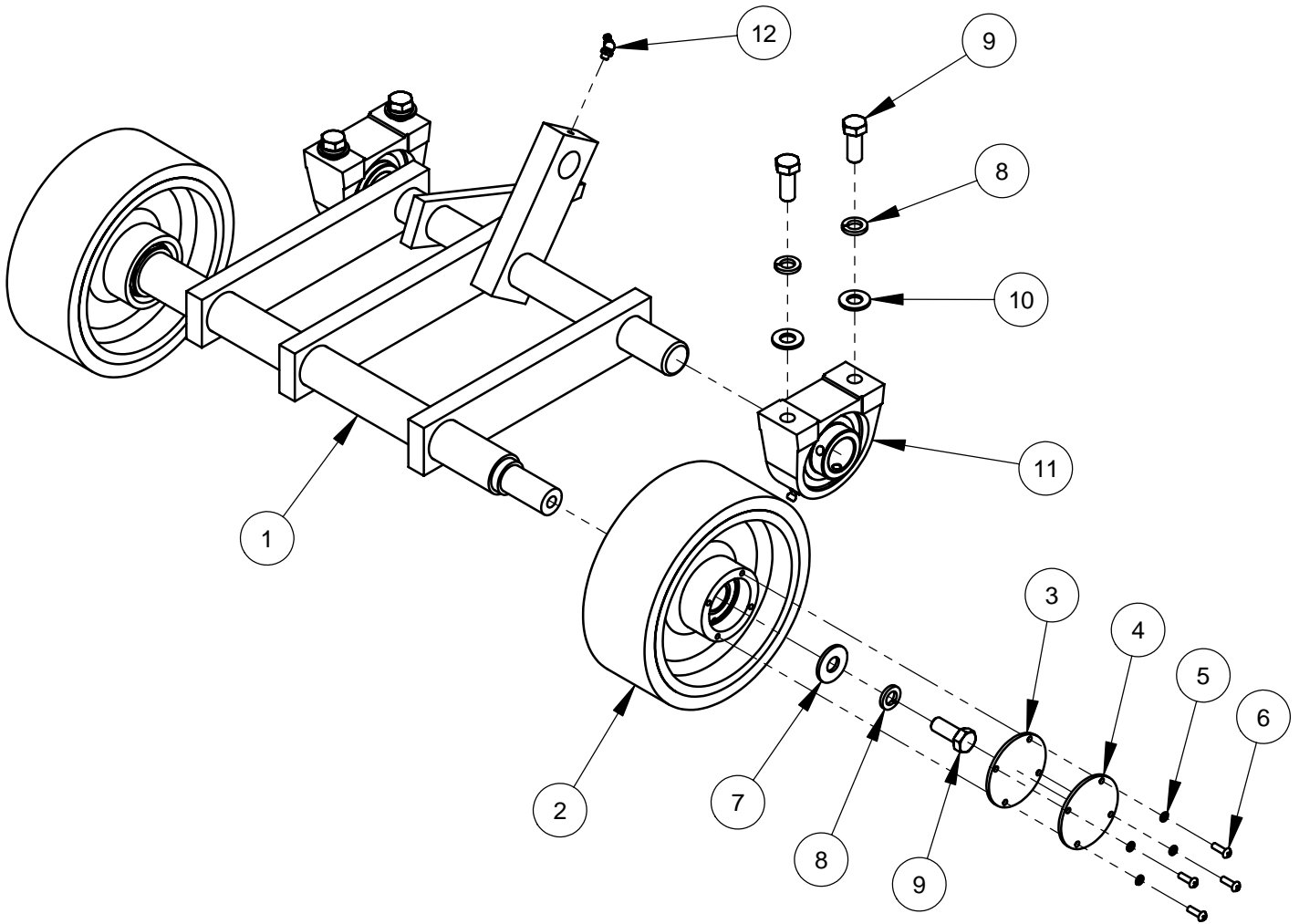
ITEM	PART NO.	QTY.	DESCRIPTION
1	6012118	1	Rear Axle Weldment w/60 Tooth Gear
2	2500873	2	Wheel, 10" Rear with 2" Bore
3	2500874	2	Trantorque Bushing, 1-1/4"
4	2500158	2	Pillow Block Bearing 1-1/4"
5	6010024	2	Rear Axle Bearing Spacer, 1/8"
6	2900058	4	Flat Washer, 1/2" SAE
7	2900084	4	Lock Washer, 1/2" Split
8	2900139	4	Cap Screw, Hex Hd., 1/2-13 x 1-3/4"

Rear Axle Assembly #6012050 (Sundstrand / Chain)



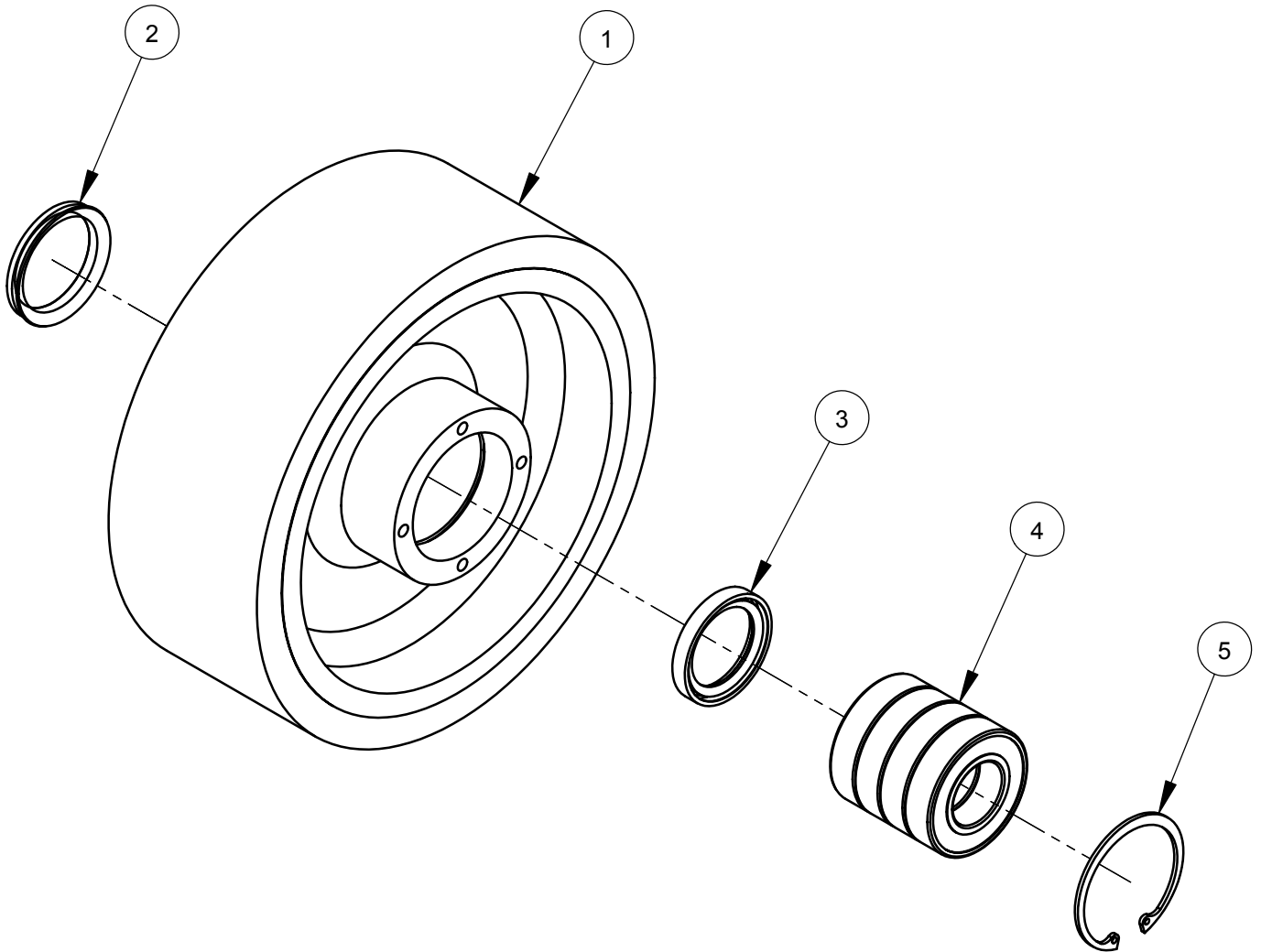
ITEM	PART NO.	QTY.	DESCRIPTION
1	6012051	1	Rear Axle Weldment w/35 Tooth Sprocket
2	2500873	2	Wheel, 10" Rear with 2" Bore
3	2500874	2	Trantorque Bushing, 1-1/4"
4	2500158	2	Pillow Block Bearing 1-1/4"
5	6010024	2	Rear Axle Bearing Spacer, 1/8"
6	2900058	4	Flat Washer, 1/2" SAE
7	2900084	4	Lock Washer, 1/2" Split
8	2900025	2	Cap Screw, Hex Hd., 1/2-13 x 1-1/4"
9	2900139	2	Cap Screw, Hex Hd., 1/2-13 x 1-3/4"

Front Axle Assembly #6012091



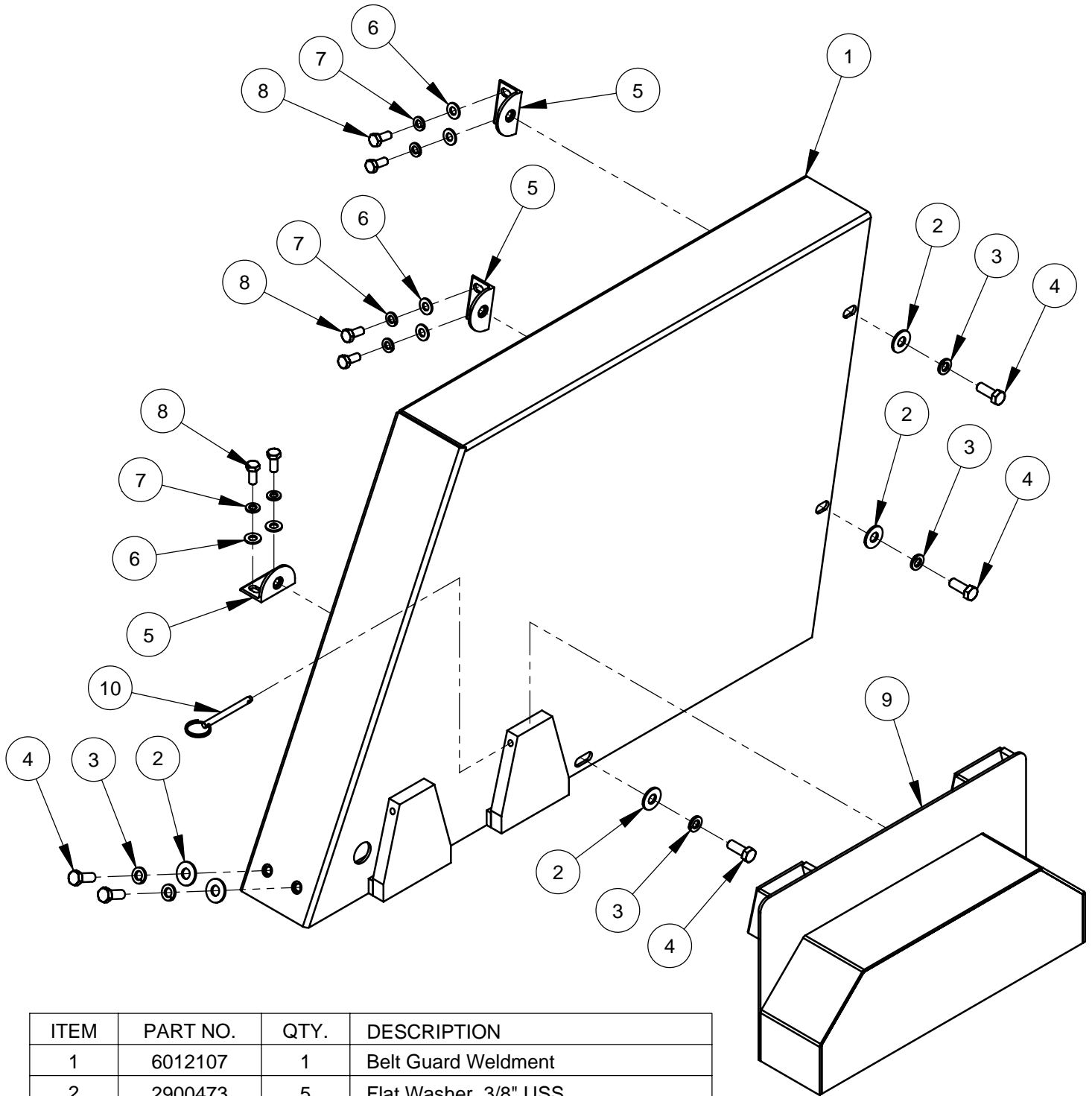
ITEM	PART NO.	QTY.	DESCRIPTION
1	6012092	1	Front Axle Weldment
2	6010581	2	Wheel Assembly, 8" Front
3	2501393	2	Wheel Cover Gasket
4	6010536	2	Wheel Cover
5	2900038	8	Lock Washer, #10 Split
6	2900159	8	Machine Screw, Rd. Hd., #10-24 x 5/8"
7	2900127	2	Flat Washer, 1/2" USS
8	2900084	6	Lock Washer, 1/2" Split
9	2900025	6	Cap Screw, Hex Hd., 1/2-13 x 1-1/4"
10	2900058	4	Flat Washer, 1/2" SAE
11	2500158	2	Pillow Block Bearing 1-1/4"
12	2900184	1	Grease Fitting, 1/8" NPT x 45 degree

Front Wheel Assembly #6010581



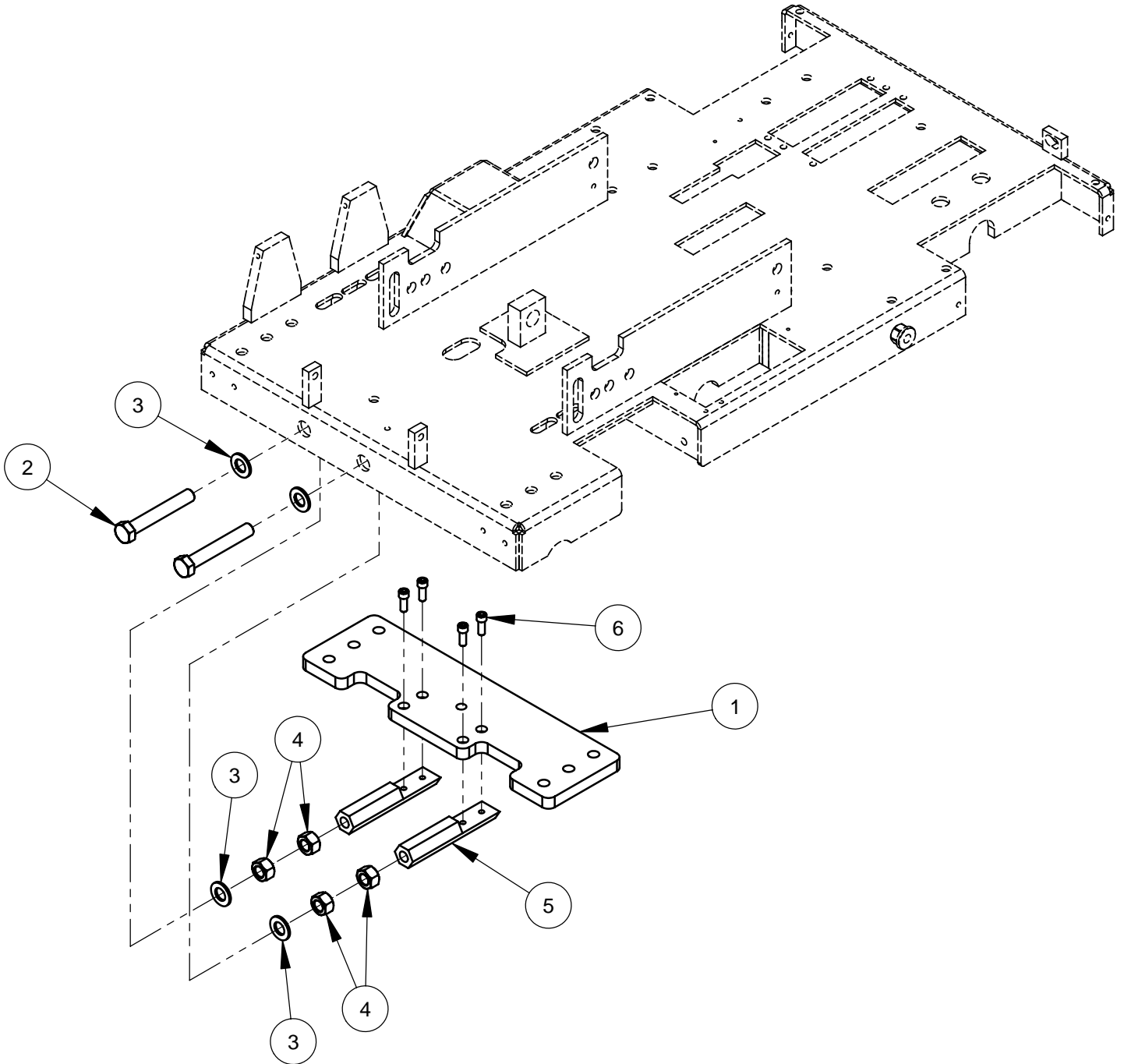
ITEM	PART NO.	QTY.	DESCRIPTION
1	2501390	1	Wheel, 8" Front
2	2501428	1	Seal, 1-1/2" V-Ring
3	2501391	1	Seal, 1-1/4" x 1-3/4" x 1/4"
4	2501418	4	Ball Bearing, 1" x 2" x 1/2"
5	2501392	1	Retaining Ring, 2" Internal

Belt Guard Assembly #6012114



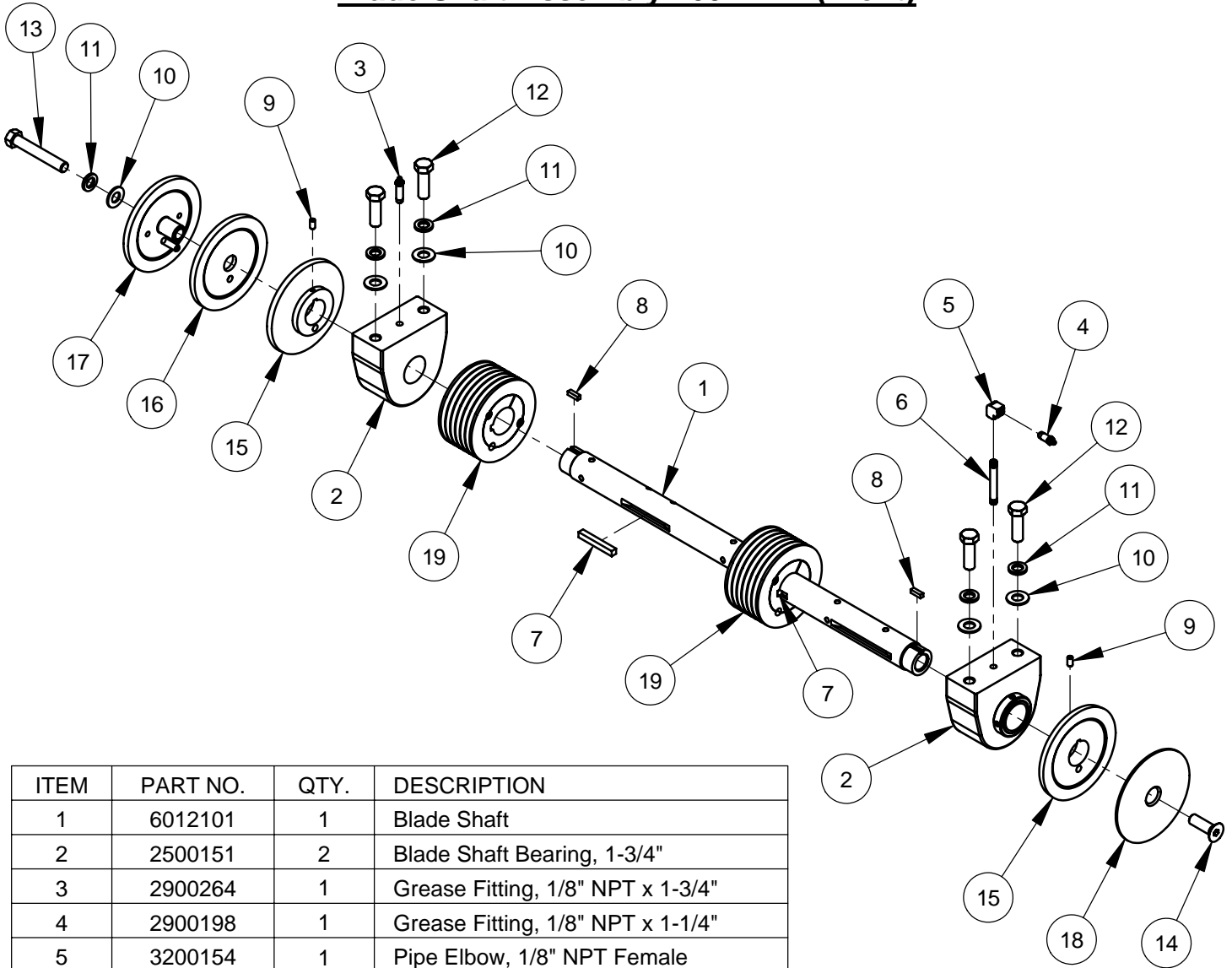
ITEM	PART NO.	QTY.	DESCRIPTION
1	6012107	1	Belt Guard Weldment
2	2900473	5	Flat Washer, 3/8" USS
3	2900006	5	Lock Washer, 3/8" Split
4	2900005	5	Cap Screw, Hex Hd., 3/8-16 x 1"
5	6010558	3	Guard Mounting Tab, 3/8-16
6	2900022	6	Flat Washer, 5/16" SAE
7	2900031	6	Lock Washer, 5/16" Split
8	2900019	6	Cap Screw, Hex Hd., 5/16-18 x 3/4"
9	6010748	1	Shaft/Flange Guard (Wide)
10	2900156	1	Lock Pin with Ring

Belt Tensioner Assembly #6012115



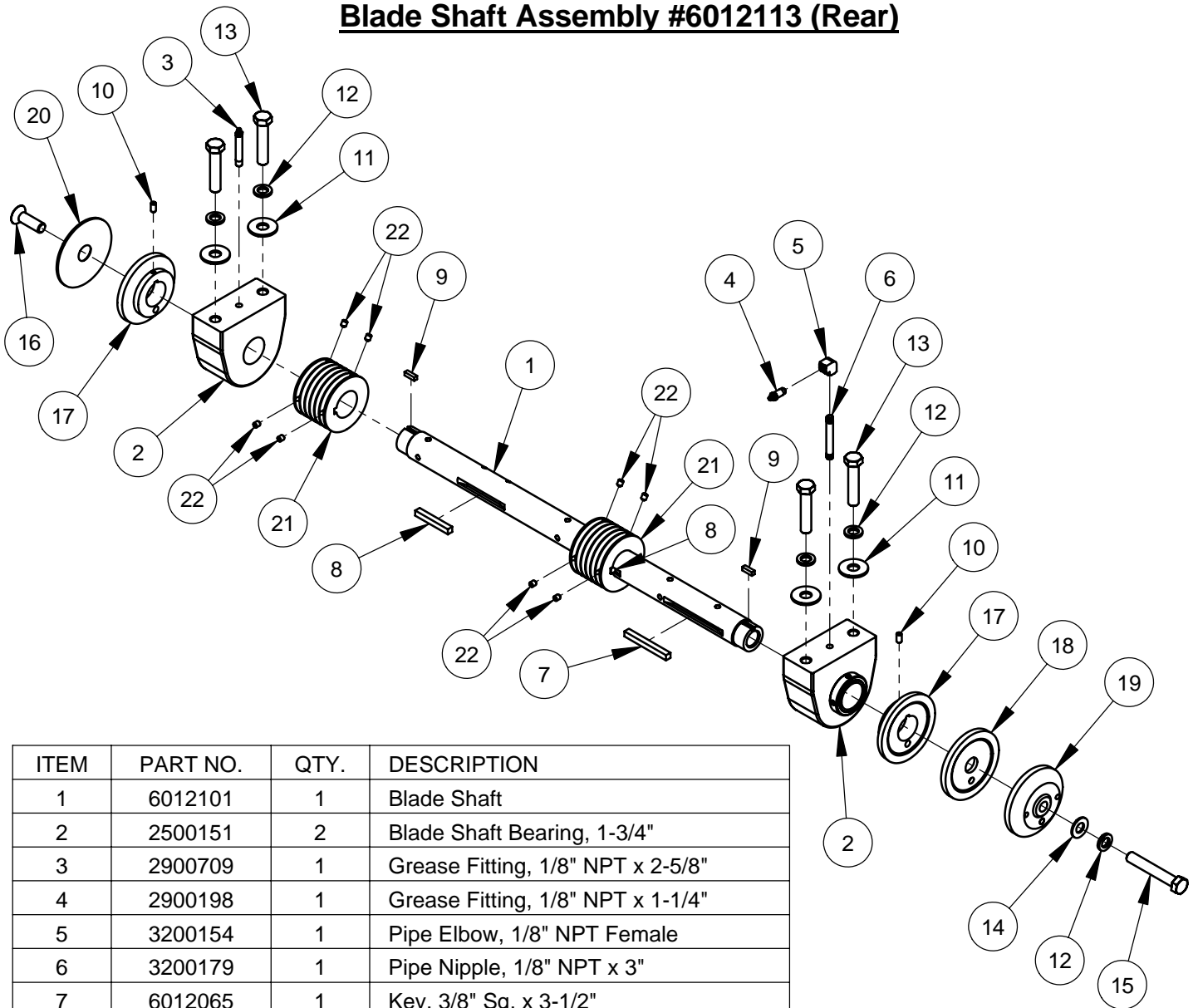
ITEM	PART NO.	QTY.	DESCRIPTION
1	6012109	1	Tensioner Plate
2	2900475	2	Tap Bolt, Hex Hd., 3/4-10 x 5"
3	2900003	4	Flat Washer, 3/4" SAE
4	2900041	4	Hex Nut, 3/4-10
5	6010756	2	Tensioner Coupling Nut
6	2900175	4	Cap Screw, Soc. Hd., 3/8-16 x 1"

Blade Shaft Assembly #6012112 (Front)



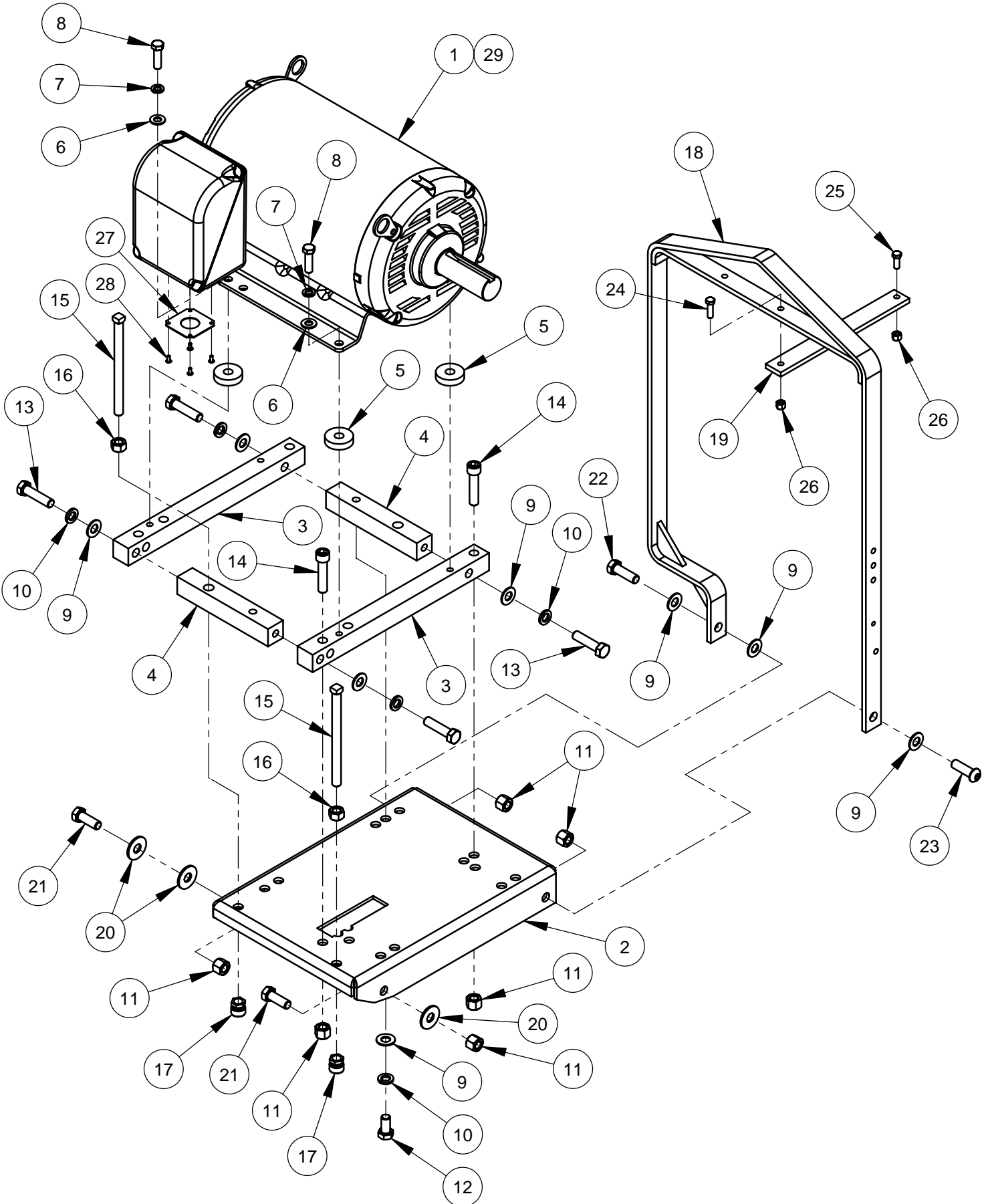
ITEM	PART NO.	QTY.	DESCRIPTION
1	6012101	1	Blade Shaft
2	2500151	2	Blade Shaft Bearing, 1-3/4"
3	2900264	1	Grease Fitting, 1/8" NPT x 1-3/4"
4	2900198	1	Grease Fitting, 1/8" NPT x 1-1/4"
5	3200154	1	Pipe Elbow, 1/8" NPT Female
6	3200179	1	Pipe Nipple, 1/8" NPT x 3"
7	6011058	2	Key, 3/8" Sq. x 2-3/4"
8	6010040	2	Key, 1/4" Sq. x 13/16"
9	2900418	2	Set Screw, Soc. Hd., 5/16-18 x 5/8"
10	2900002	5	Flat Washer, 5/8" SAE
11	2900113	5	Lock Washer, 5/8" Split
12	2900136	4	Cap Screw, Hex Hd., 5/8-11 x 2"
13	2900130	1	Cap Screw, Hex Hd., 5/8-11 x 4" LH
14	2900711	1	Cap Screw, Flat Hd., 5/8-11 x 2"
15	6010038	2	Inner Flange 6"
16	6010760C	1	Blade Spacer, 6" O.D.
17	6010039	1	Outer Flange 6" with Pin
	2900197	1	Dowel Pin, 3/8" Dia. x 2"
18	6010765C	1	Flange Cover, 6" O.D.
19	6012105	2	Sheave, 5.3" x 6 Groove w/Bushing
	2500369	1	Sheave, 5.3" x 6 Groove Taper Style
	2500454	1	Taper Bushing, 1-3/4" w/Setscrews

Blade Shaft Assembly #6012113 (Rear)



ITEM	PART NO.	QTY.	DESCRIPTION
1	6012101	1	Blade Shaft
2	2500151	2	Blade Shaft Bearing, 1-3/4"
3	2900709	1	Grease Fitting, 1/8" NPT x 2-5/8"
4	2900198	1	Grease Fitting, 1/8" NPT x 1-1/4"
5	3200154	1	Pipe Elbow, 1/8" NPT Female
6	3200179	1	Pipe Nipple, 1/8" NPT x 3"
7	6012065	1	Key, 3/8" Sq. x 3-1/2"
8	6011058	2	Key, 3/8" Sq. x 2-3/4"
9	6010040	2	Key, 1/4" Sq. x 13/16"
10	2900418	2	Set Screw, Soc. Hd., 5/16-18 x 5/8"
11	2900721	4	Flat Washer, 5/8" USS Hardened
12	2900113	5	Lock Washer, 5/8" Split
13	2900195	4	Cap Screw, Hex Hd., 5/8-11 x 3"
14	2900002	1	Flat Washer, 5/8" SAE
15	2900146	1	Cap Screw, Hex Hd., 5/8-11 x 4"
16	2900712	1	Cap Screw, Flat Hd., 5/8-11 x 2" LH
17	6010036	2	Inner Flange 4-1/2"
18	6010760A	1	Blade Spacer, 4-1/2" O.D.
19	6010037	1	Outer Flange 4-1/2" with Pin
	2900197	1	Dowel Pin, 3/8" Dia. x 2"
20	6010765A	1	Flange Cover, 4-1/2" O.D.
21	6011009	2	Sheave, 3.65" x 6 Groove x 1-3/4" Bore
22	2900142	8	Set Screw, Soc. Hd., 5/16-18 x 3/8"

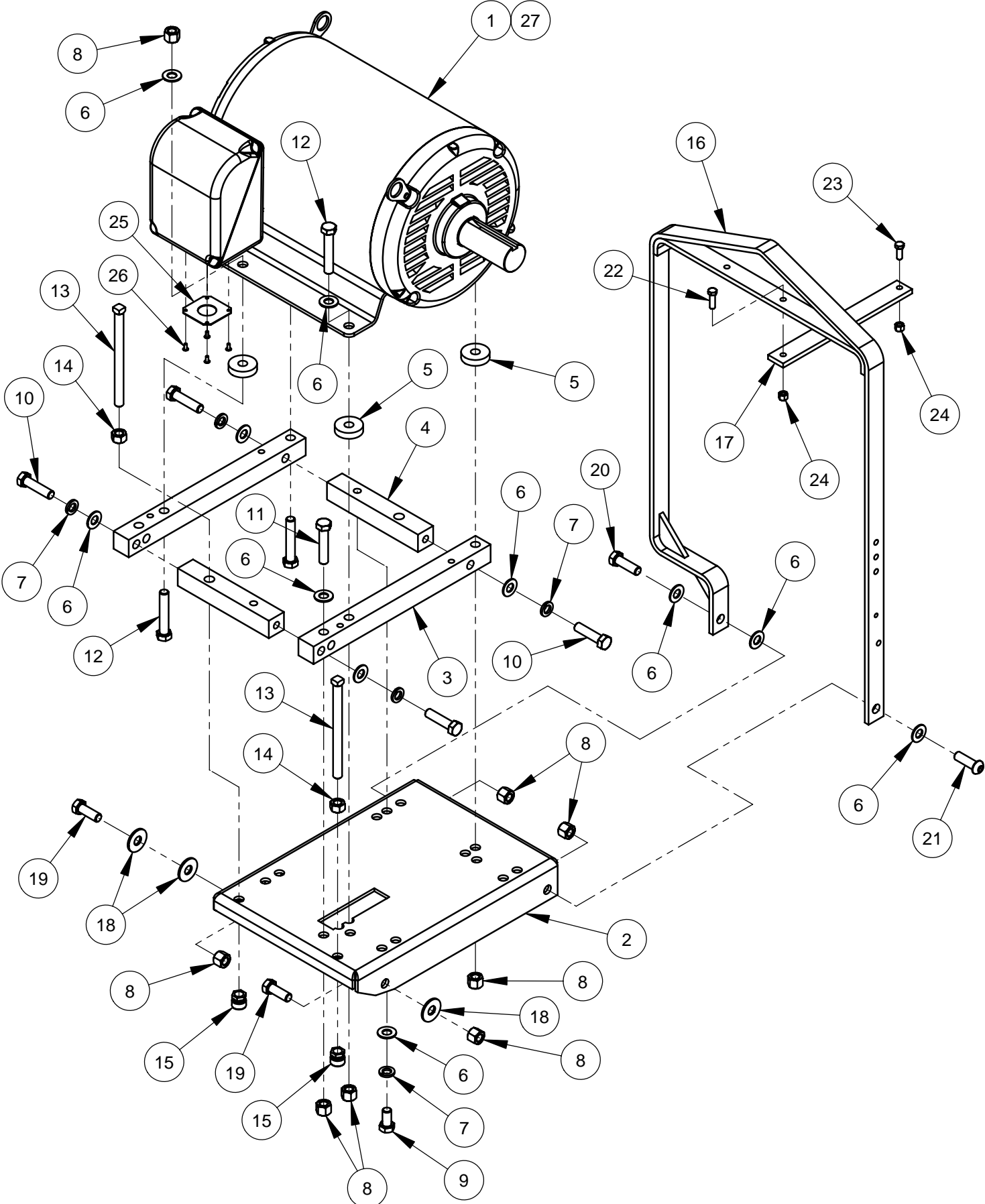
30hp Motor Mount Assembly #6012116



30hp Motor Mount Assembly #6012116

ITEM	PART NO.	QTY.	DESCRIPTION
1	2600182	1	Motor, 30hp Lincoln
2	6010011	1	Engine Base Weldment
3	6012034	2	Motor Spacer
4	6012035	2	Motor Connect Spacer
5	6012108	4	Spacer, 1/2"
6	2900058	4	Flat Washer, 1/2" SAE
7	2900084	4	Lock Washer, 1/2" Split
8	2900139	4	Cap Screw, Hex Hd., 1/2-13 x 1-3/4"
9	2900002	8	Flat Washer, 5/8" SAE
10	2900113	5	Lock Washer, 5/8" Split
11	2900135	6	Lock Nut, 5/8-11 Nylon
12	2900512	1	Cap Screw, Hex Hd., 5/8-11 x 1-1/4"
13	2900527	4	Cap Screw, Hex Hd., 5/8-11 x 2-1/2"
14	2900558	2	Cap Screw, Soc. Hd., 5/8-11 x 2-3/4"
15	2900385	2	Set Screw, Sq. Hd., 5/8-11 x 8"
16	2900112	2	Hex Nut, 5/8-11
17	2900446	2	Swivel Pad Nut, 5/8-11
18	6010012	1	Frame Lift
19	6010013	1	Frame Lift Brace
20	2900721	3	Flat Washer, 5/8" USS Hardened
21	2900147	2	Cap Screw, Hex Hd., 5/8-11 x 1-3/4"
22	2900136	1	Cap Screw, Hex Hd., 5/8-11 x 2"
23	2900286	1	Cap Screw, Button Hd., 5/8-11 x 2"
24	2900013	1	Cap Screw, Hex Hd., 3/8-16 x 1-1/4"
25	2900005	1	Cap Screw, Hex Hd., 3/8-16 x 1"
26	2900018	2	Lock Nut, 3/8-16 Nylon
27	2500676	1	Motor Cord Adapter Plate
28	2900201	4	Rivet, 3/16" Dia.
29	2600238	1	Motor, 30hp Lincoln (575 Volt)

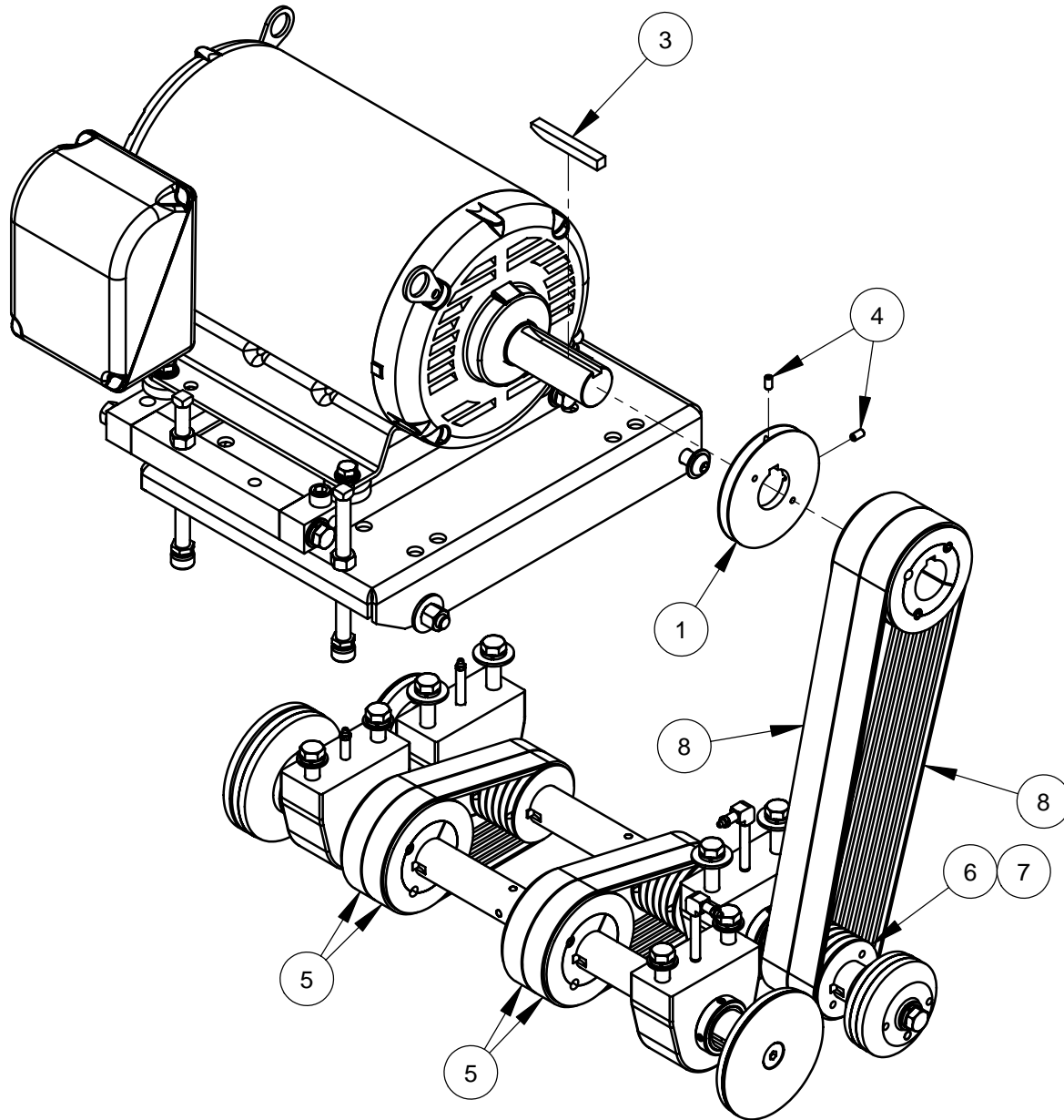
40hp Motor Mount Assembly #6012111



40hp Motor Mount Assembly #6012111

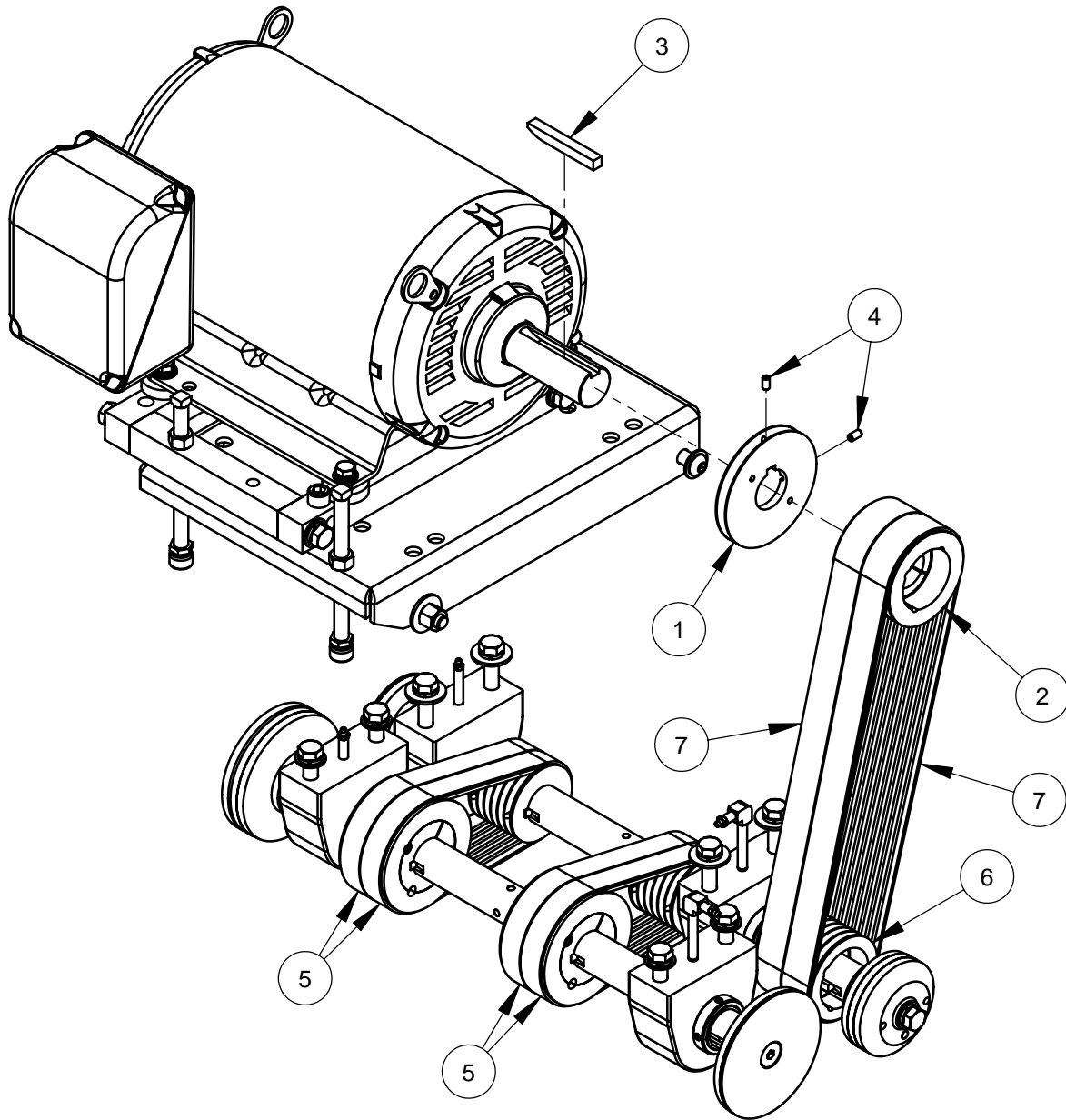
ITEM	PART NO.	QTY.	DESCRIPTION
1	2600185	1	Motor, 40hp Lincoln
2	6010011	1	Engine Base Weldment
3	6012034	2	Motor Spacer
4	6012035	2	Motor Connect Spacer
5	6012108	4	Spacer, 1/2"
6	2900002	13	Flat Washer, 5/8" SAE
7	2900113	5	Lock Washer, 5/8" Split
8	2900135	9	Lock Nut, 5/8-11 Nylon
9	2900512	1	Cap Screw, Hex Hd., 5/8-11 x 1-1/4"
10	2900527	4	Cap Screw, Hex Hd., 5/8-11 x 2-1/2"
11	2900195	1	Cap Screw, Hex Hd., 5/8-11 x 3"
12	2900099	4	Cap Screw, Hex Hd., 5/8-11 x 3-1/2"
13	2900385	2	Set Screw, Sq. Hd., 5/8-11 x 8"
14	2900112	2	Hex Nut, 5/8-11
15	2900446	2	Swivel Pad Nut, 5/8-11
16	6010012	1	Frame Lift
17	6010013	1	Frame Lift Brace
18	2900721	3	Flat Washer, 5/8" USS Hardened
19	2900147	2	Cap Screw, Hex Hd., 5/8-11 x 1-3/4"
20	2900136	1	Cap Screw, Hex Hd., 5/8-11 x 2"
21	2900286	1	Cap Screw, Button Hd., 5/8-11 x 2"
22	2900013	1	Cap Screw, Hex Hd., 3/8-16 x 1-1/4"
23	2900005	1	Cap Screw, Hex Hd., 3/8-16 x 1"
24	2900018	2	Lock Nut, 3/8-16 Nylon
25	2500676	1	Motor Cord Adapter Plate
26	2900201	4	Rivet, 3/16" Dia.
27	2600250	1	Motor, 40hp Lincoln (575 Volt)

30hp Belt Drive Assembly #6012121A (Blades 20" & 30")



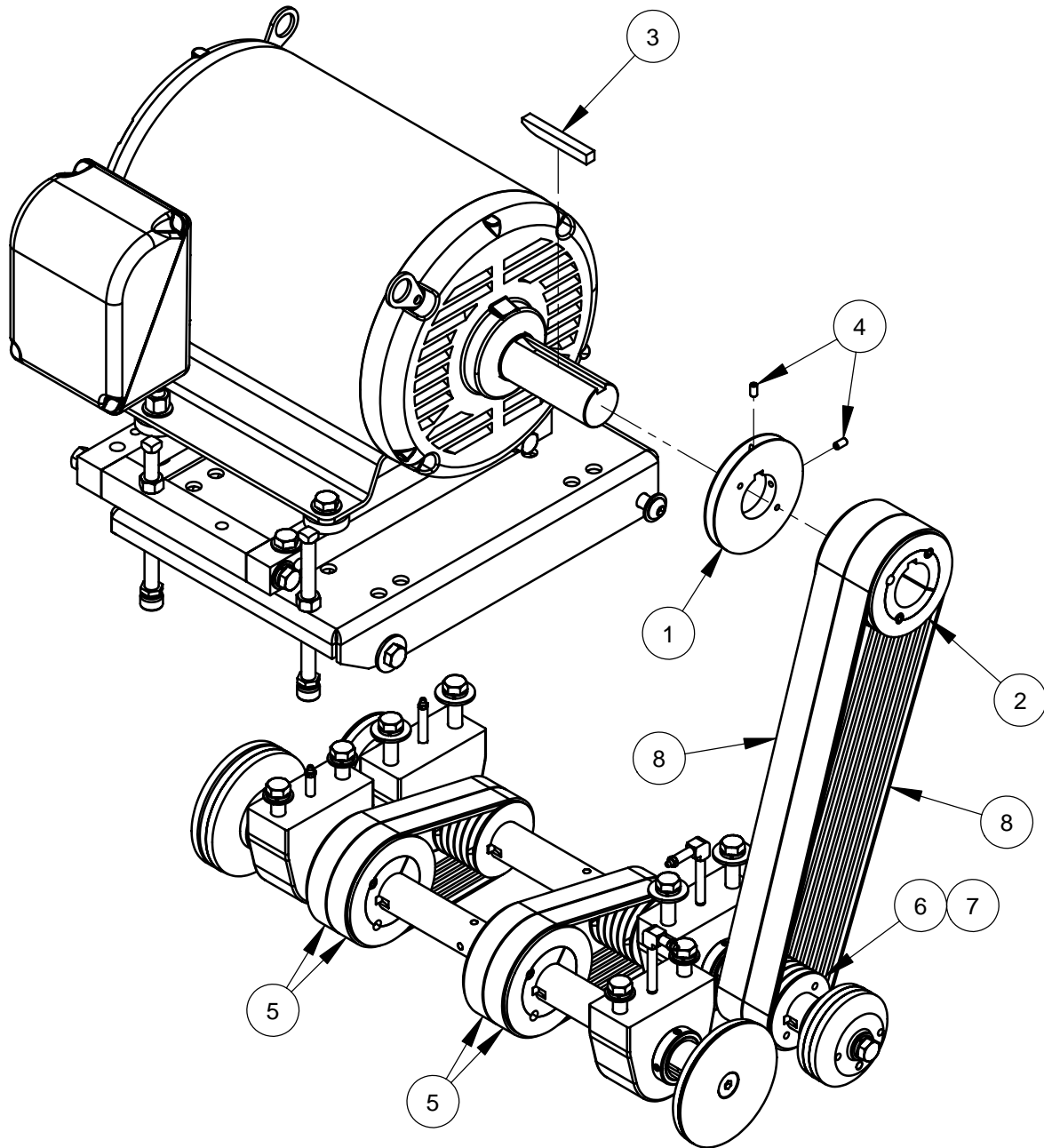
ITEM	PART NO.	QTY.	DESCRIPTION
1	6012019	1	Pulley, Accessory Drive
2	6010292	1	Sheave, 5" x 8 Groove w/Bushing
	2500391	1	Sheave, 5" x 8 Groove Taper Style
	2500392	1	Taper Bushing, 1-7/8" w/Setscrews
3	6010161	1	Key, 1/2" Sq. x 4" Bevel End
4	2900418	2	Set Screw, Soc. Hd., 5/16-18 x 5/8"
5	2501993	4	Banded Belt, 3/3VX280 - 3 Strand
6	6011139	1	Sheave, 3.65" x 8 Groove x 1-3/4" Bore
7	2900142	4	Set Screw, Soc. Hd., 5/16-18 x 3/8"
8	2500437	2	Banded Belt, 4/3VX500 - 4 Strand

30hp Belt Drive Assembly #6012121B (Blades 26" & 36")



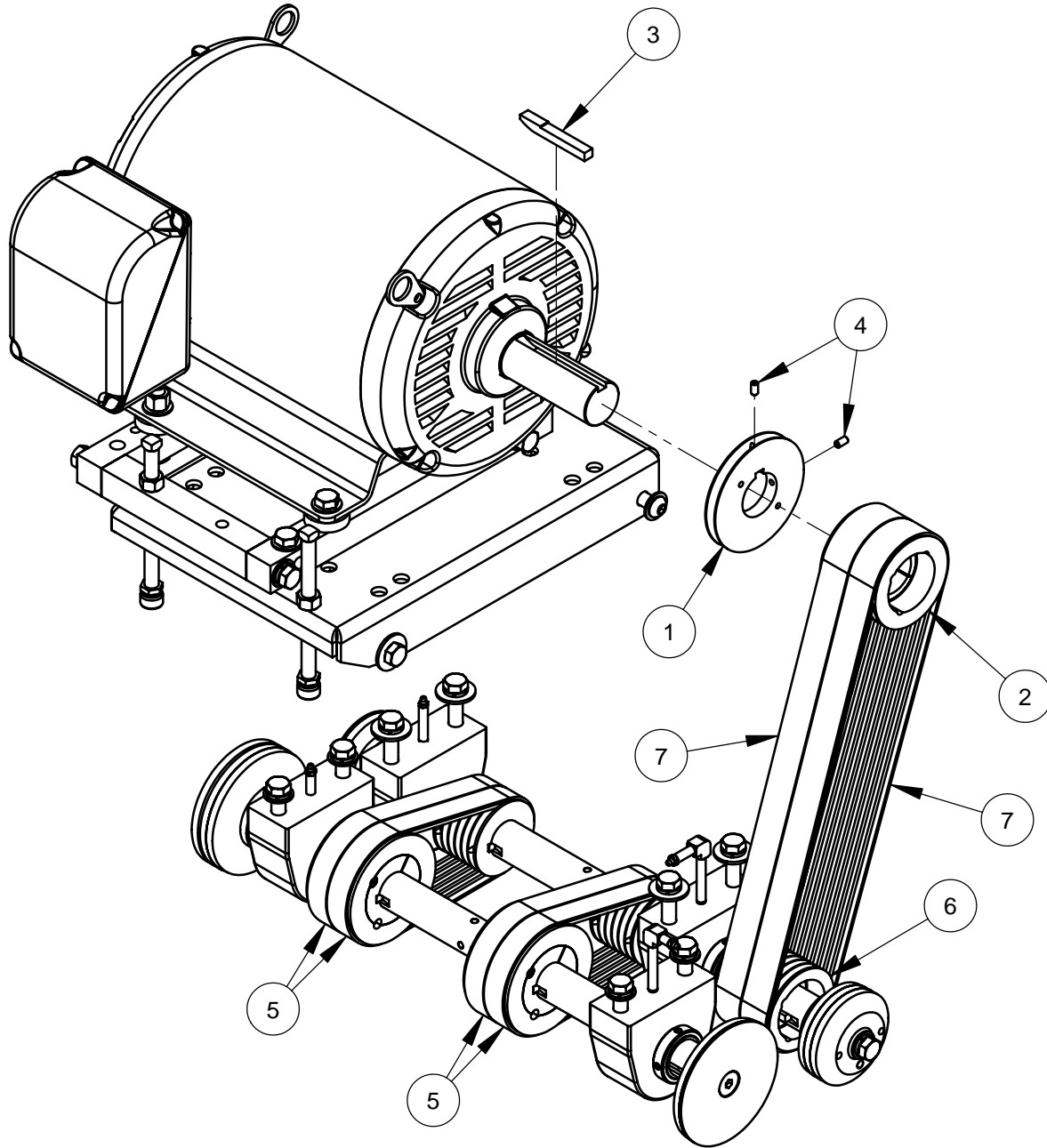
ITEM	PART NO.	QTY.	DESCRIPTION
1	6012019	1	Pulley, Accessory Drive
2	6012104	1	Sheave, 4.5" x 8 Groove w/Bushing
	2501383	1	Sheave, 4.5" x 8 Groove Taper Style
	2501991	1	Taper Bushing, 1-7/8" w/Setscrews
3	6010161	1	Key, 1/2" Sq. x 4" Bevel End
4	2900418	2	Set Screw, Soc. Hd., 5/16-18 x 5/8"
5	2501993	4	Banded Belt, 3/3VX280 - 3 Strand
6	6012102	1	Sheave, 4" x 8 Groove w/Bushing
	2501382	1	Sheave, 4" x 8 Groove Taper Style
	2501410	1	Taper Bushing, 1-3/4" w/Setscrews
7	2500437	2	Banded Belt, 4/3VX500 - 4 Strand

40hp Belt Drive Assembly #6012120A (Blades 20" & 30")



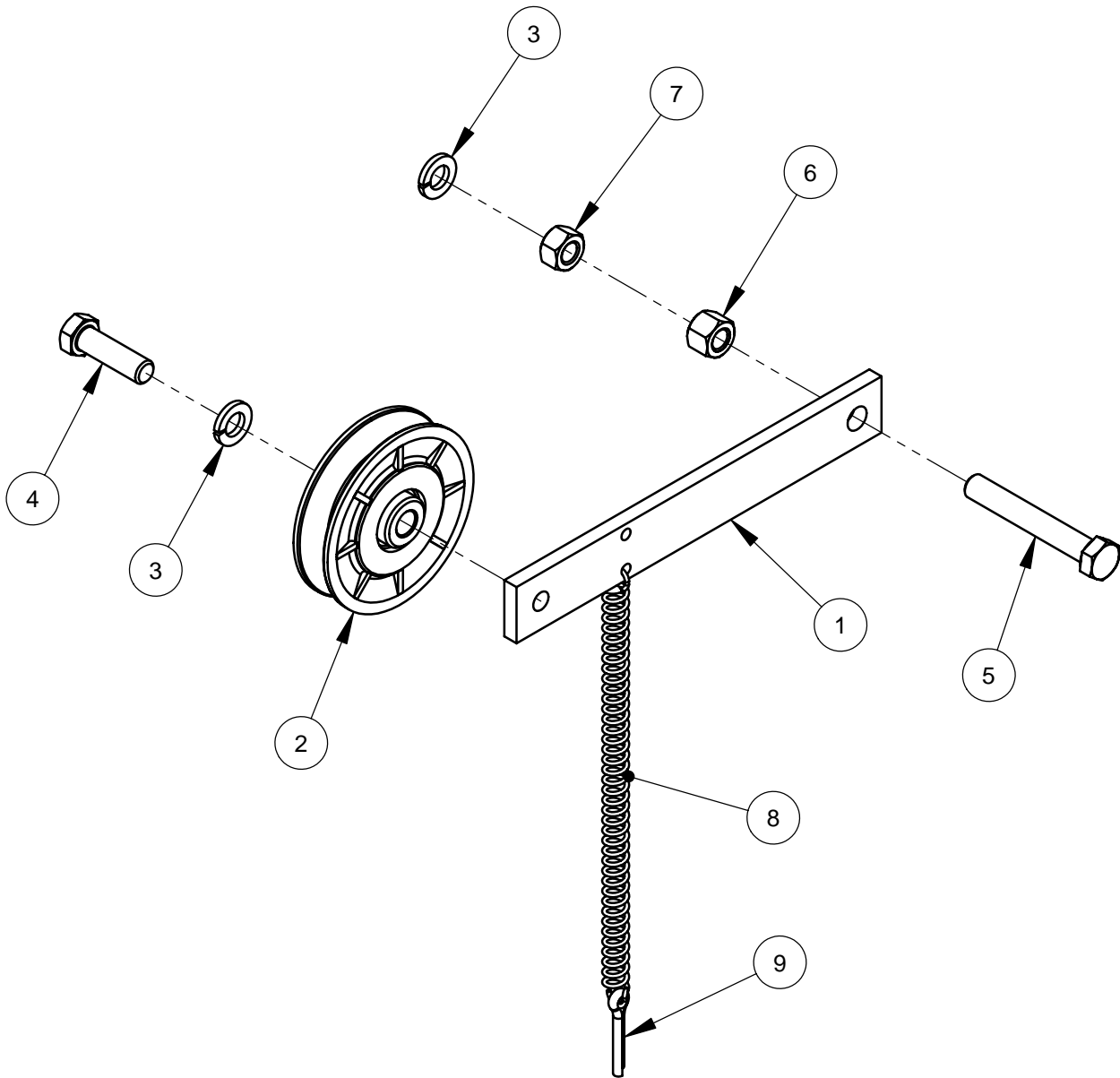
ITEM	PART NO.	QTY.	DESCRIPTION
1	6010182	1	Pulley, Accessory Drive
2	6010293	1	Sheave, 5" x 8 Groove w/Bushing
	2500391	1	Sheave, 5" x 8 Groove Taper Style
	2500398	1	Taper Bushing, 2-1/8" w/Setscrews
3	6010161	1	Key, 1/2" Sq. x 4" Bevel End
4	2900418	2	Set Screw, Soc. Hd., 5/16-18 x 5/8"
5	2501993	4	Banded Belt, 3/3VX280 - 3 Strand
6	6011139	1	Sheave, 3.65" x 8 Groove x 1-3/4" Bore
7	2900142	4	Set Screw, Soc. Hd., 5/16-18 x 3/8"
8	2501156	2	Banded Belt, 4/3VX530 - 4 Strand

40hp Belt Drive Assembly #6012120B (Blades 26" & 36")



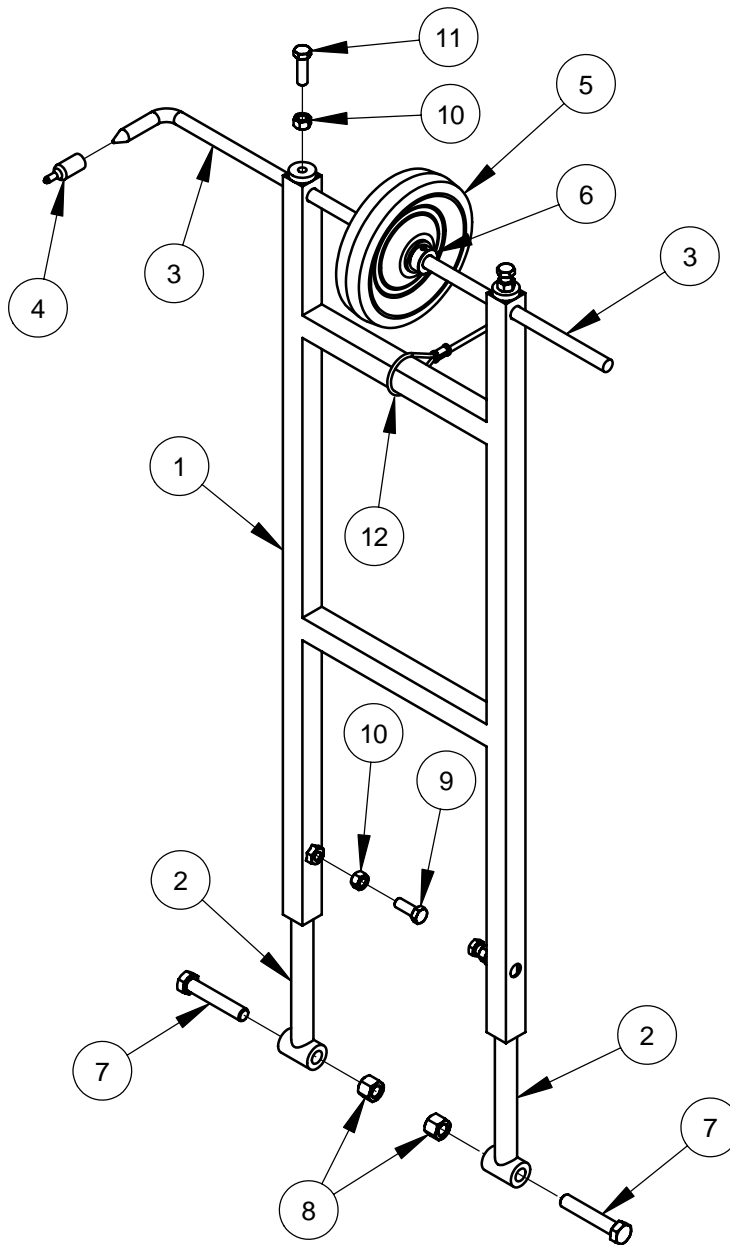
ITEM	PART NO.	QTY.	DESCRIPTION
1	6010182	1	Pulley, Accessory Drive
2	6012103	1	Sheave, 4.5" x 8 Groove w/Bushing
	2501383	1	Sheave, 4.5" x 8 Groove Taper Style
	2501992	1	Taper Bushing, 2-1/8" w/Setscrews & Key
3	6011227	1	Key, 1/2" Sq. x 4" Bevel End Step
4	2900418	2	Set Screw, Soc. Hd., 5/16-18 x 5/8"
5	2501993	4	Banded Belt, 3/3VX280 - 3 Strand
6	6012102	1	Sheave, 4" x 8 Groove w/Bushing
	2501382	1	Sheave, 4" x 8 Groove Taper Style
	2501410	1	Taper Bushing, 1-3/4" w/Setscrews
7	2501156	2	Banded Belt, 4/3VX530 - 4 Strand

Idler Assembly #6010194



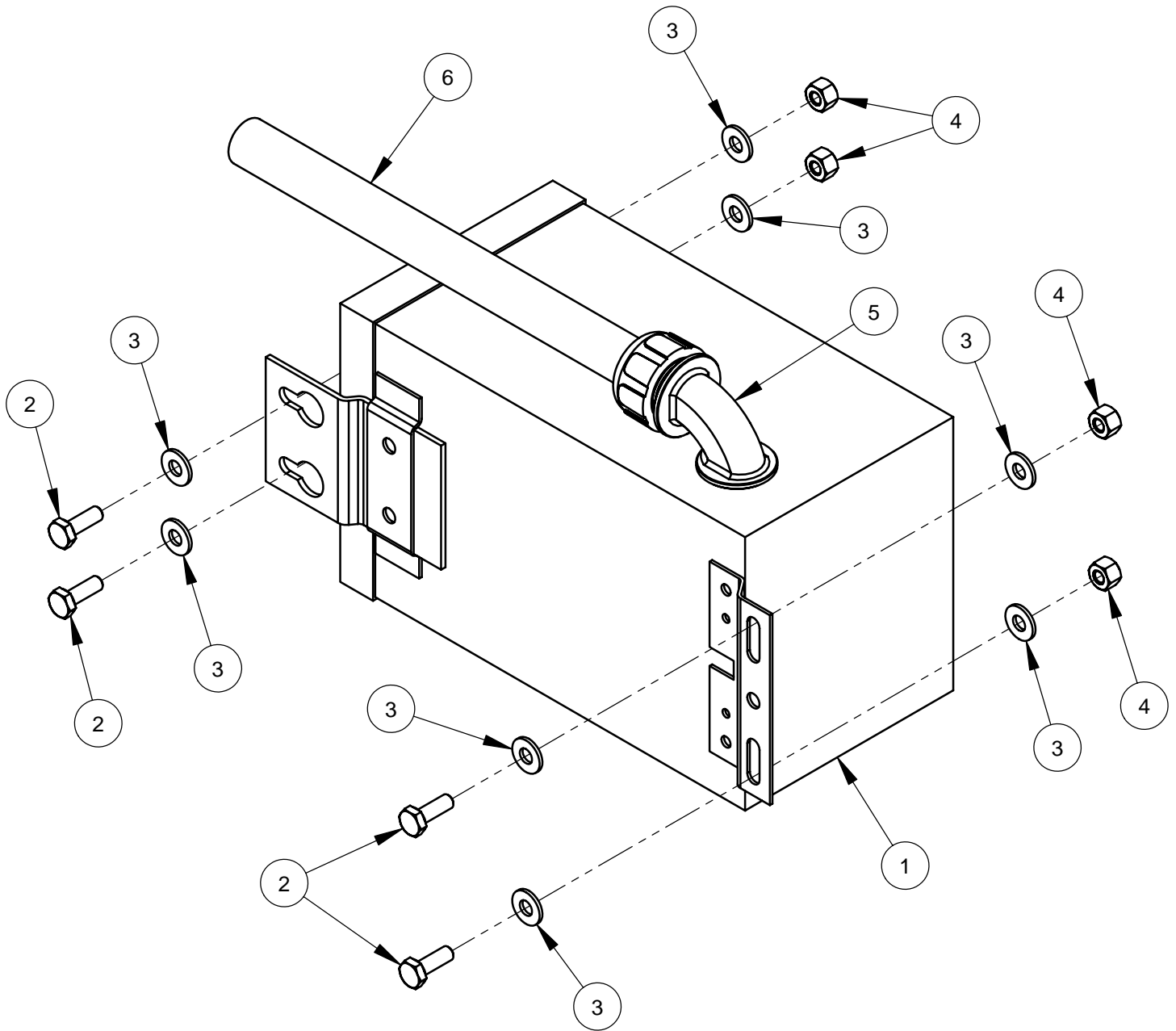
ITEM	PART NO.	QTY.	DESCRIPTION
1	6048218	1	Idler Arm
2	2500074	1	Idler Pulley 3"
3	2900006	2	Lock Washer, 3/8" Split
4	2900013	1	Cap Screw, Hex Hd., 3/8-16 x 1-1/4"
5	2900521	1	Tap Bolt, Hex Hd., 3/8-16 x 2-1/2"
6	2900018	1	Lock Nut, 3/8-16 Nylon
7	2900033	1	Hex Nut, 3/8-16
8	2500195	1	Spring, 3/8" x 7-3/4"
9	2900055	1	Cotter Pin, 3/16" x 1"

Front Pointer Assembly #6011220



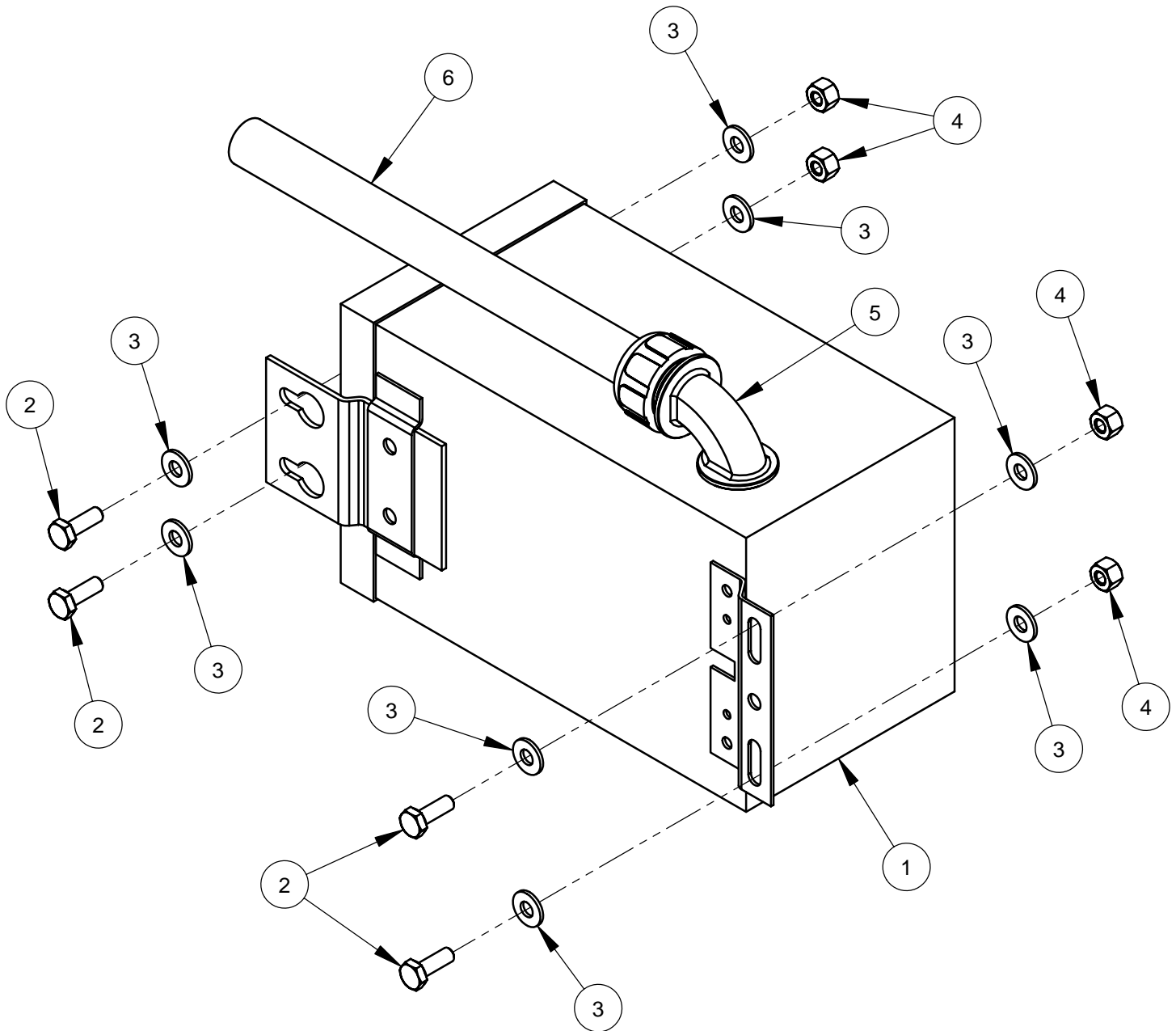
ITEM	PART NO.	QTY.	DESCRIPTION
1	6010541	1	Front Pointer Frame
2	6011152	2	Front Pointer Arm
3	6010009	1	Front Pointer Rod
4	2500740	1	Pointer Cap
5	2501409	1	Wheel, 6"
6	2500007	2	Set Collar, 1/2" with Set Screw
7	2900105	2	Cap Screw, Hex Hd., 1/2-13 x 2-3/4"
8	2900026	2	Lock Nut, 1/2-13 Nylon
9	2900005	2	Cap Screw, Hex Hd., 3/8-16 x 1"
10	2900033	4	Hex Nut, 3/8-16
11	2900013	2	Cap Screw, Hex Hd., 3/8-16 x 1-1/4"
12	6011226	1	Pointer Lanyard

Power Transformer Assembly #6012132 (575V)



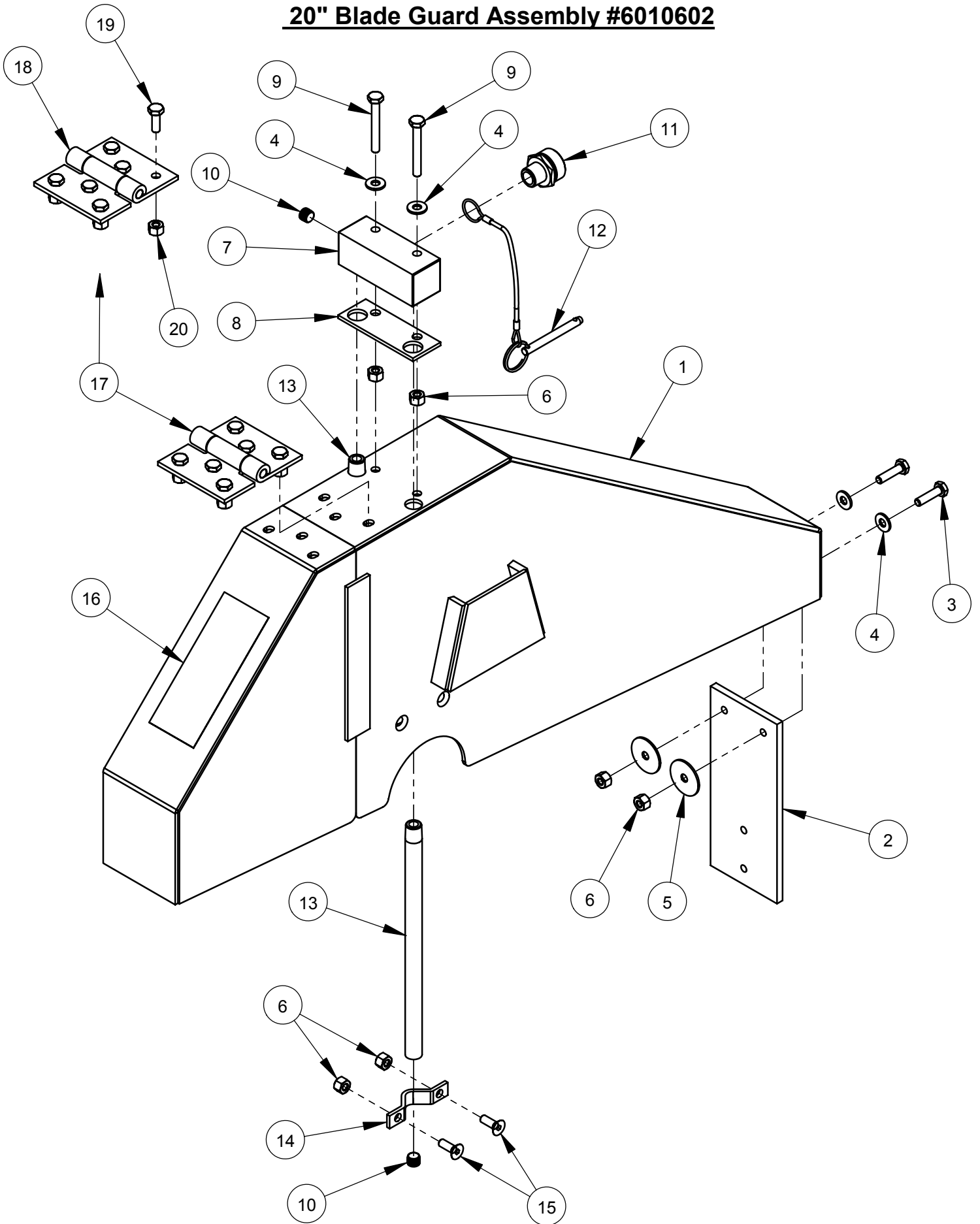
ITEM	PART NO.	QTY.	DESCRIPTION
1	2701488	1	Transformer
2	2900144	4	Cap Screw, Hex Hd., 1/4-20 x 3/4"
3	2900009	8	Flat Washer, 1/4" SAE
4	2900010	4	Lock Nut, 1/4-20 Nylon
5	2800302	2	Connector, 1/2" Sealtite Elbow
6	6012134	1	Conduit, 1/2" Sealtite

Power Transformer Assembly #6012133 (50Hz)



ITEM	PART NO.	QTY.	DESCRIPTION
1	2800293	1	Transformer
2	2900144	4	Cap Screw, Hex Hd., 1/4-20 x 3/4"
3	2900009	8	Flat Washer, 1/4" SAE
4	2900010	4	Lock Nut, 1/4-20 Nylon
5	2800302	2	Connector, 1/2" Sealtite Elbow
6	6012134	1	Conduit, 1/2" Sealtite

20" Blade Guard Assembly #6010602

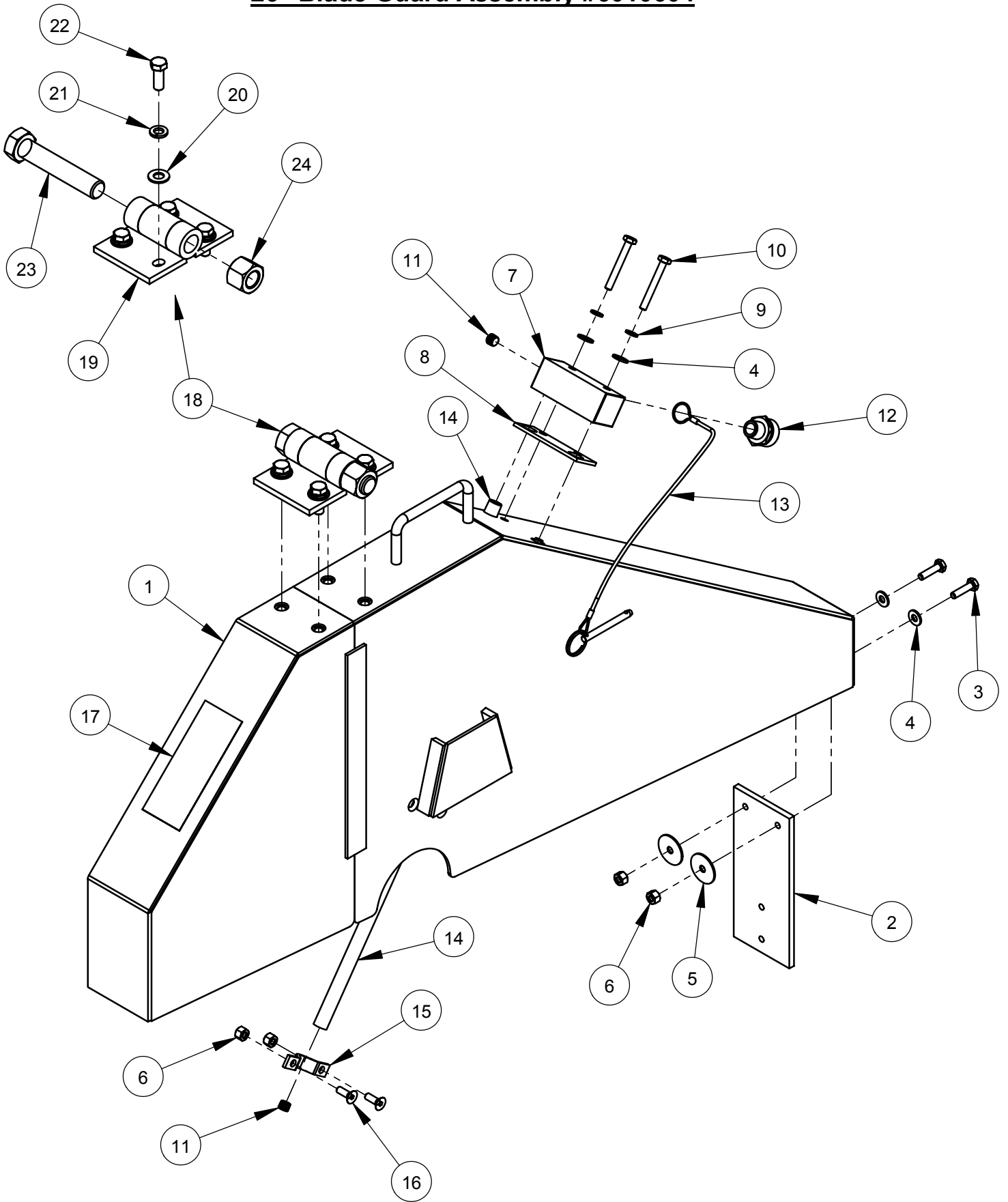


20" Blade Guard Assembly #6010602

ITEM	PART NO.	QTY.	DESCRIPTION
1	6010603	1	20" Blade Guard Front & Rear Only
2	6010081	1	Splash Flap
3	2900008	2	Cap Screw, Hex Hd., 1/4-20 x 1"
4	2900009	4	Flat Washer, 1/4" SAE
5	2900083	2	Fender Washer, 1/4" x 1-1/4"
6	2900010	8	Lock Nut, 1/4-20 Nylon
7	6010261	1	Water Manifold
8	2500830	1	Water Manifold Gasket
9	2900294	2	Cap Screw, Hex Hd., 1/4-20 x 2"
10	3200001	3	Plug, 1/8" NPT
11	3200002	1	Fitting, 3/8" M. Pipe to 3/4" M. Garden
12	2900278	1	Lanyard with Lock Pin
13	6010085	2	Water Tube for 20" Guard
14	6048155	2	Water Tube Clamp
15	2900020	4	Cap Screw, Flat Hd., 1/4-20 x 3/4"
16	1800001	1	Warning Label
17	6010251	1	Hinge Assembly for 20" Guard

ITEM	PART NO.	QTY.	DESCRIPTION
18	2500270	1	Blade Guard Hinge
19	2900144	6	Cap Screw, Hex Hd., 1/4-20 x 3/4"
20	2900010	6	Lock Nut, 1/4-20 Nylon

26" Blade Guard Assembly #6010604



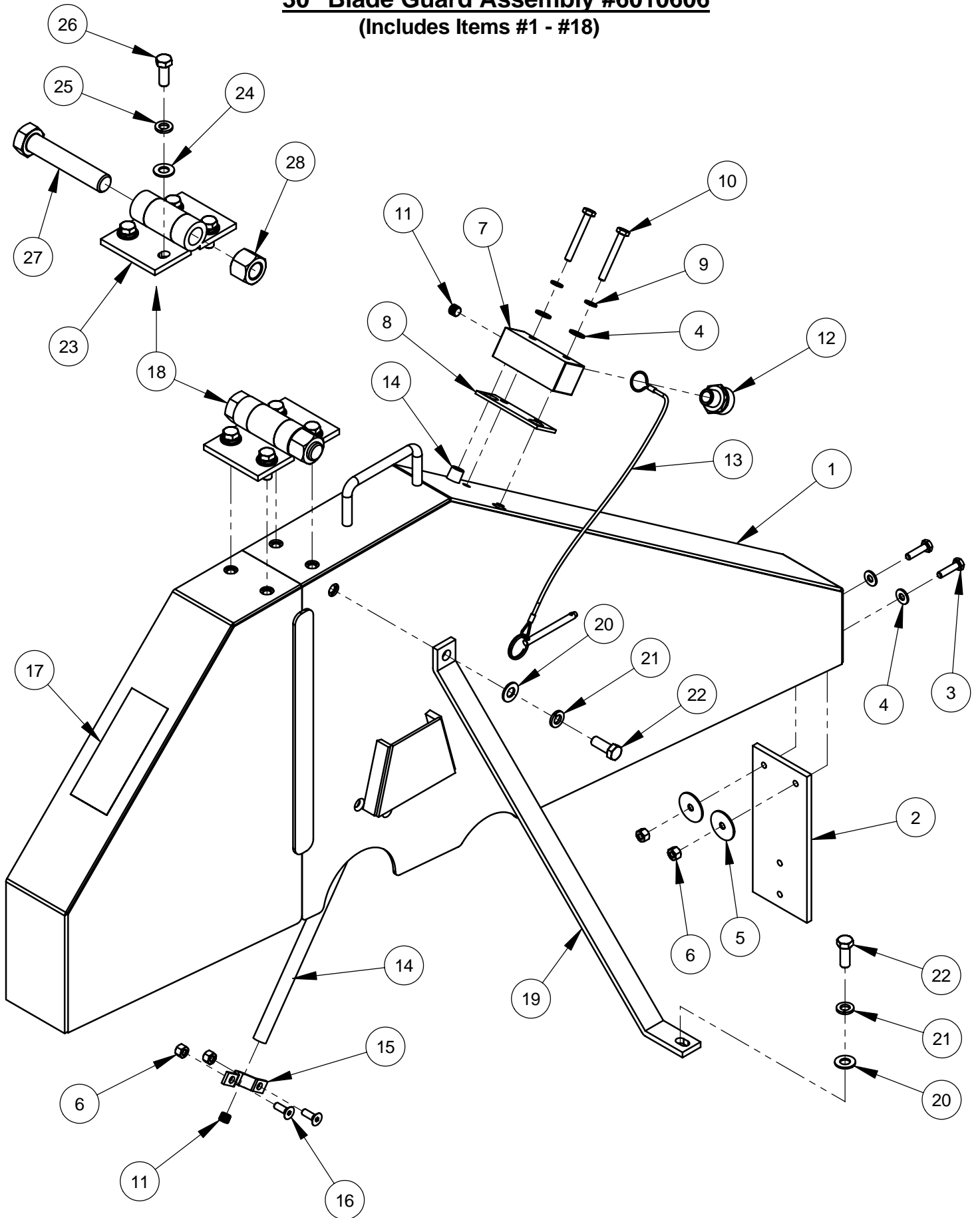
26" Blade Guard Assembly #6010604

ITEM	PART NO.	QTY.	DESCRIPTION
1	6010605	1	26" Blade Guard Front & Rear Only
2	6010081	1	Splash Flap
3	2900008	2	Cap Screw, Hex Hd., 1/4-20 x 1"
4	2900009	4	Flat Washer, 1/4" SAE
5	2900083	2	Fender Washer, 1/4" x 1-1/4"
6	2900010	6	Lock Nut, 1/4-20 Nylon
7	6010261	1	Water Manifold
8	2500830	1	Water Manifold Gasket
9	2900024	2	Lock Washer, 1/4" Split
10	2900294	2	Cap Screw, Hex Hd., 1/4-20 x 2"
11	3200001	3	Plug, 1/8" NPT
12	3200002	1	Fitting, 3/8" M. Pipe to 3/4" M. Garden
13	2900279	1	Lanyard with Lock Pin
14	6010086	2	Water Tube for 26" Guard
15	6048155	2	Water Tube Clamp
16	2900020	4	Cap Screw, Flat Hd., 1/4-20 x 3/4"
17	1800001	1	Warning Label
18	6010560	1	Blade Guard Hinge Assembly

ITEM	PART NO.	QTY.	DESCRIPTION
19	6010549	1	Blade Guard Hinge
20	2900014	4	Flat Washer, 3/8" SAE
21	2900006	4	Lock Washer, 3/8" Split
22	2900005	4	Cap Screw, Hex Hd., 3/8-16 x 1"
23	2900479	1	Cap Screw, Hex Hd., 3/4-10 x 4"
24	2900467	1	Lock Nut, 3/4-10 Nylon

30" Blade Guard Assembly #6010606

(Includes Items #1 - #18)

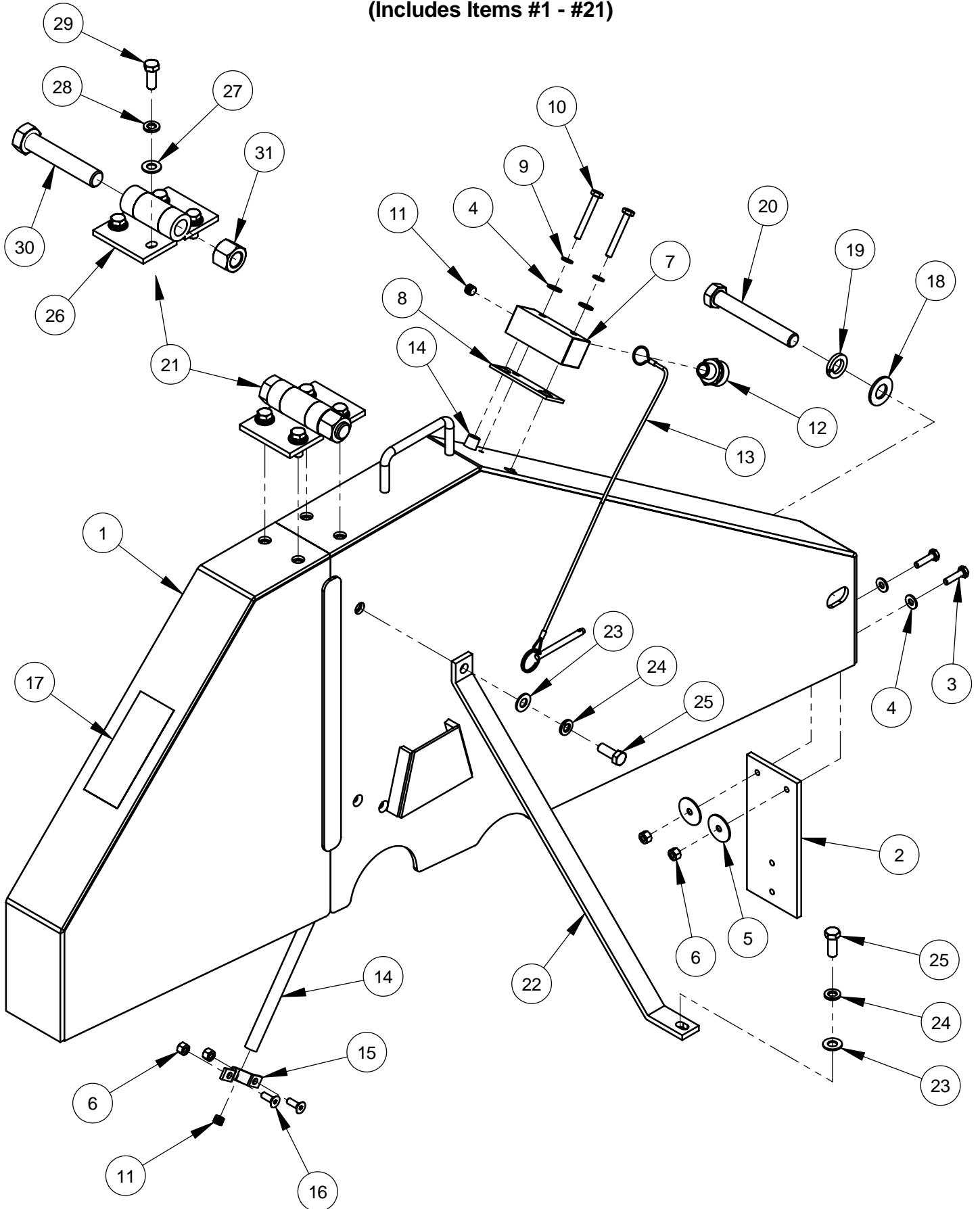


30" Blade Guard Assembly #6010606
(Includes Items #1 - #18)

ITEM	PART NO.	QTY.	DESCRIPTION
1	6010607	1	30" Blade Guard Front & Rear Only
2	6010081	1	Splash Flap
3	2900008	2	Cap Screw, Hex Hd., 1/4-20 x 1"
4	2900009	4	Flat Washer, 1/4" SAE
5	2900083	2	Fender Washer, 1/4" x 1-1/4"
6	2900010	6	Lock Nut, 1/4-20 Nylon
7	6010261	1	Water Manifold
8	2500830	1	Water Manifold Gasket
9	2900024	2	Lock Washer, 1/4" Split
10	2900294	2	Cap Screw, Hex Hd., 1/4-20 x 2"
11	3200001	3	Plug, 1/8" NPT
12	3200002	1	Fitting, 3/8" M. Pipe to 3/4" M. Garden
13	2900279	1	Lanyard with Lock Pin
14	6010087	2	Water Tube for 30" Guard
15	6048155	2	Water Tube Clamp
16	2900020	4	Cap Screw, Flat Hd., 1/4-20 x 3/4"
17	1800001	1	Warning Label
18	6010560	1	Blade Guard Hinge Assembly
19	6012009	1	Blade Guard Brace
20	2900014	2	Flat Washer, 3/8" SAE
21	2900006	2	Lock Washer, 3/8" Split
22	2900005	2	Cap Screw, Hex Hd., 3/8-16 x 1"

ITEM	PART NO.	QTY.	DESCRIPTION
23	6010549	1	Blade Guard Hinge
24	2900014	4	Flat Washer, 3/8" SAE
25	2900006	4	Lock Washer, 3/8" Split
26	2900005	4	Cap Screw, Hex Hd., 3/8-16 x 1"
27	2900479	1	Cap Screw, Hex Hd., 3/4-10 x 4"
28	2900467	1	Lock Nut, 3/4-10 Nylon

36" Blade Guard Assembly #6010608
(Includes Items #1 - #21)

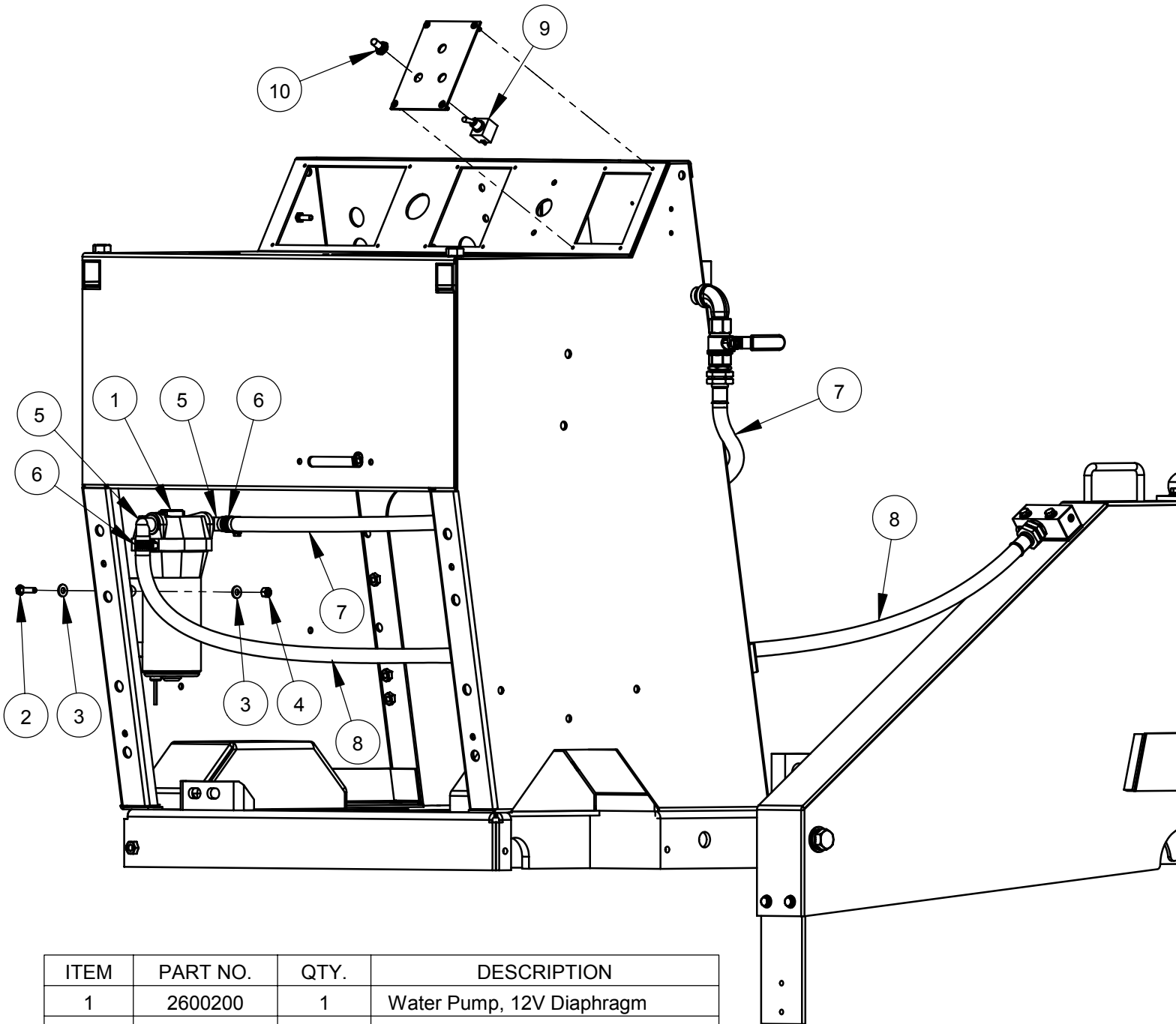


36" Blade Guard Assembly #6010608
(Includes Items #1 - #21)

ITEM	PART NO.	QTY.	DESCRIPTION
1	6010609	1	36" Blade Guard Front & Rear Only
2	6010081	1	Splash Flap
3	2900008	2	Cap Screw, Hex Hd., 1/4-20 x 1"
4	2900009	4	Flat Washer, 1/4" SAE
5	2900083	2	Fender Washer, 1/4" x 1-1/4"
6	2900010	6	Lock Nut, 1/4-20 Nylon
7	6010264	1	Water Manifold for 36" Guard
8	2500830	1	Water Manifold Gasket
9	2900024	2	Lock Washer, 1/4" Split
10	2900294	2	Cap Screw, Hex Hd., 1/4-20 x 2"
11	3200001	3	Plug, 1/8" NPT
12	3200002	1	Fitting, 3/8" M. Pipe to 3/4" M. Garden
13	2900280	1	Lanyard with Lock Pin
14	6010088	2	Water Tube for 36" Guard
15	6048155	2	Water Tube Clamp
16	2900020	4	Cap Screw, Flat Hd., 1/4-20 x 3/4"
17	1800001	1	Warning Label
18	2900002	1	Flat Washer, 5/8" SAE
19	2900113	1	Lock Washer, 5/8" Split
20	2900585	1	Cap Screw, Hex Hd., 5/8-11 x 4-1/2"
21	6010560	1	Blade Guard Hinge Assembly
22	6012009	1	Blade Guard Brace
23	2900014	2	Flat Washer, 3/8" SAE
24	2900006	2	Lock Washer, 3/8" Split
25	2900005	2	Cap Screw, Hex Hd., 3/8-16 x 1"

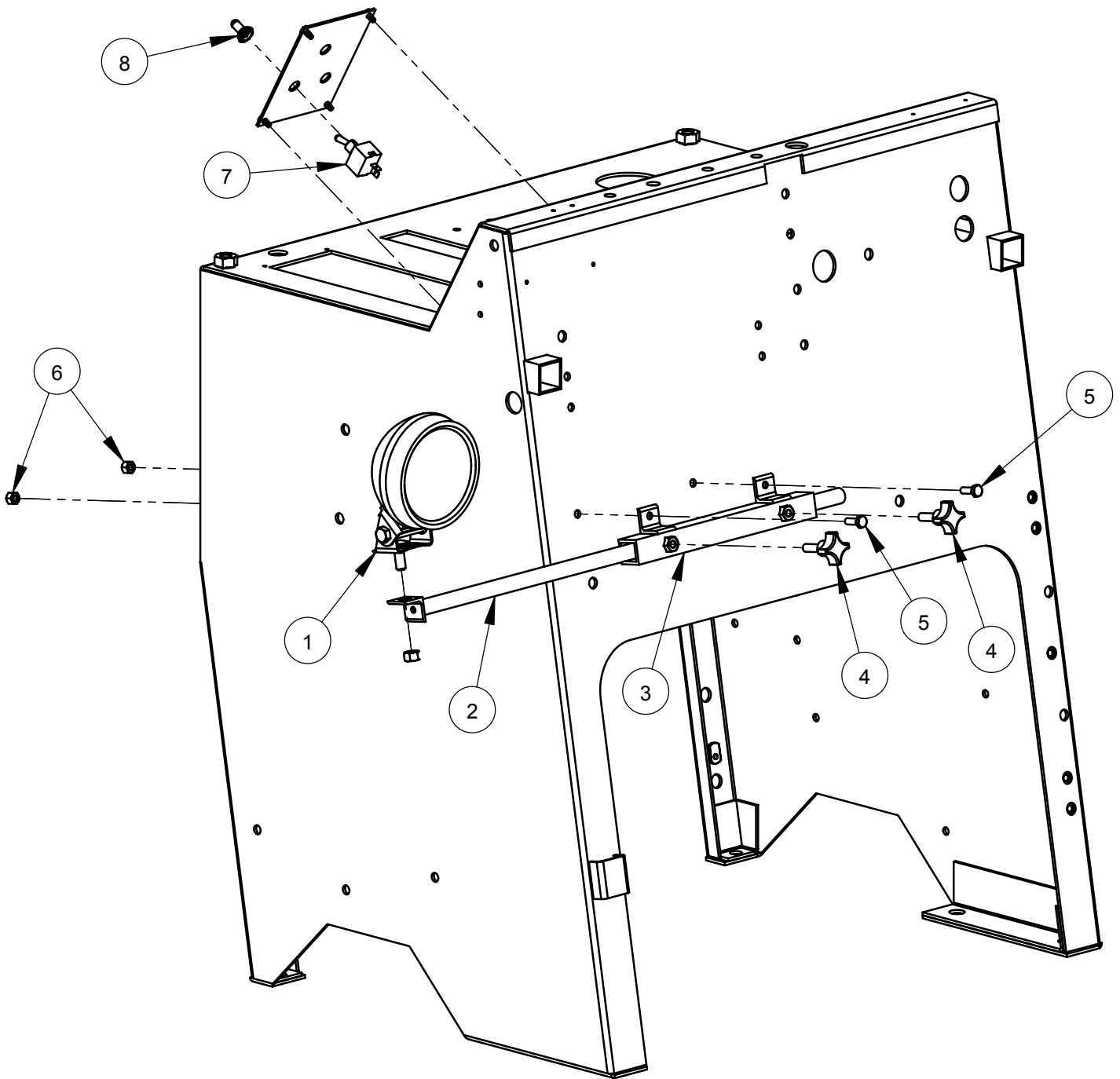
ITEM	PART NO.	QTY.	DESCRIPTION
26	6010549	1	Blade Guard Hinge
27	2900014	4	Flat Washer, 3/8" SAE
28	2900006	4	Lock Washer, 3/8" Split
29	2900005	4	Cap Screw, Hex Hd., 3/8-16 x 1"
30	2900479	1	Cap Screw, Hex Hd., 3/4-10 x 4"
31	2900467	1	Lock Nut, 3/4-10 Nylon

Optional Water Pump Assembly #6011032



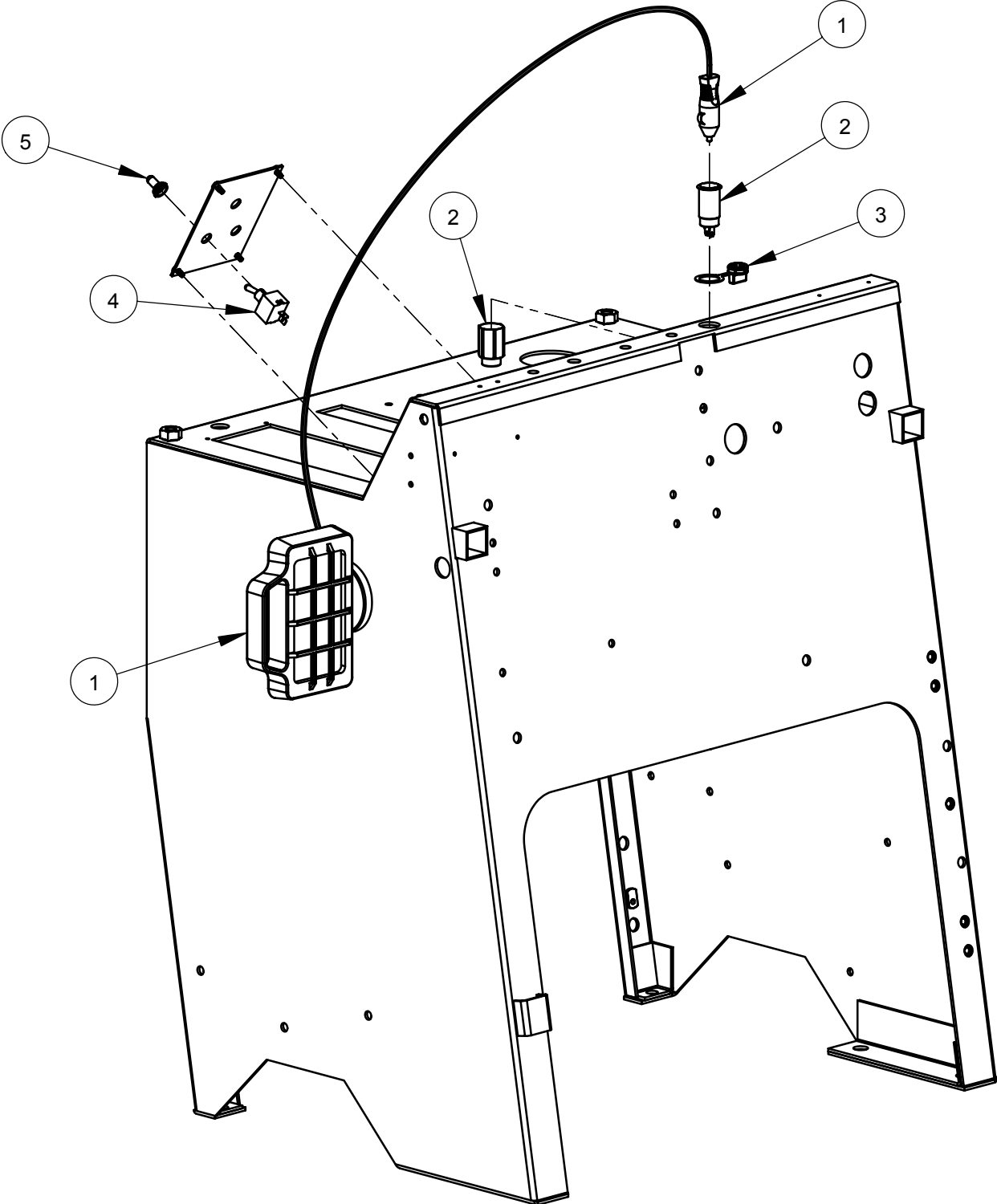
ITEM	PART NO.	QTY.	DESCRIPTION
1	2600200	1	Water Pump, 12V Diaphragm
2	2900008	4	Cap Screw, Hex Hd., 1/4-20 x 1"
3	2900009	8	Flat Washer, 1/4" SAE
4	2900010	4	Lock Nut, 1/4-20 Nylon
5	2701694	2	Port Fitting, 1/2" Barb x 90 Degree
6	3200016	2	Hose Clamp #8
7	6010302	1	Hose Assembly, 4 Foot
8	6010303	1	Hose Assembly, 5 Foot
9	2800062	1	Toggle Switch
10	2800063	1	Switch Boot

Optional Spot Light Assembly #6010112



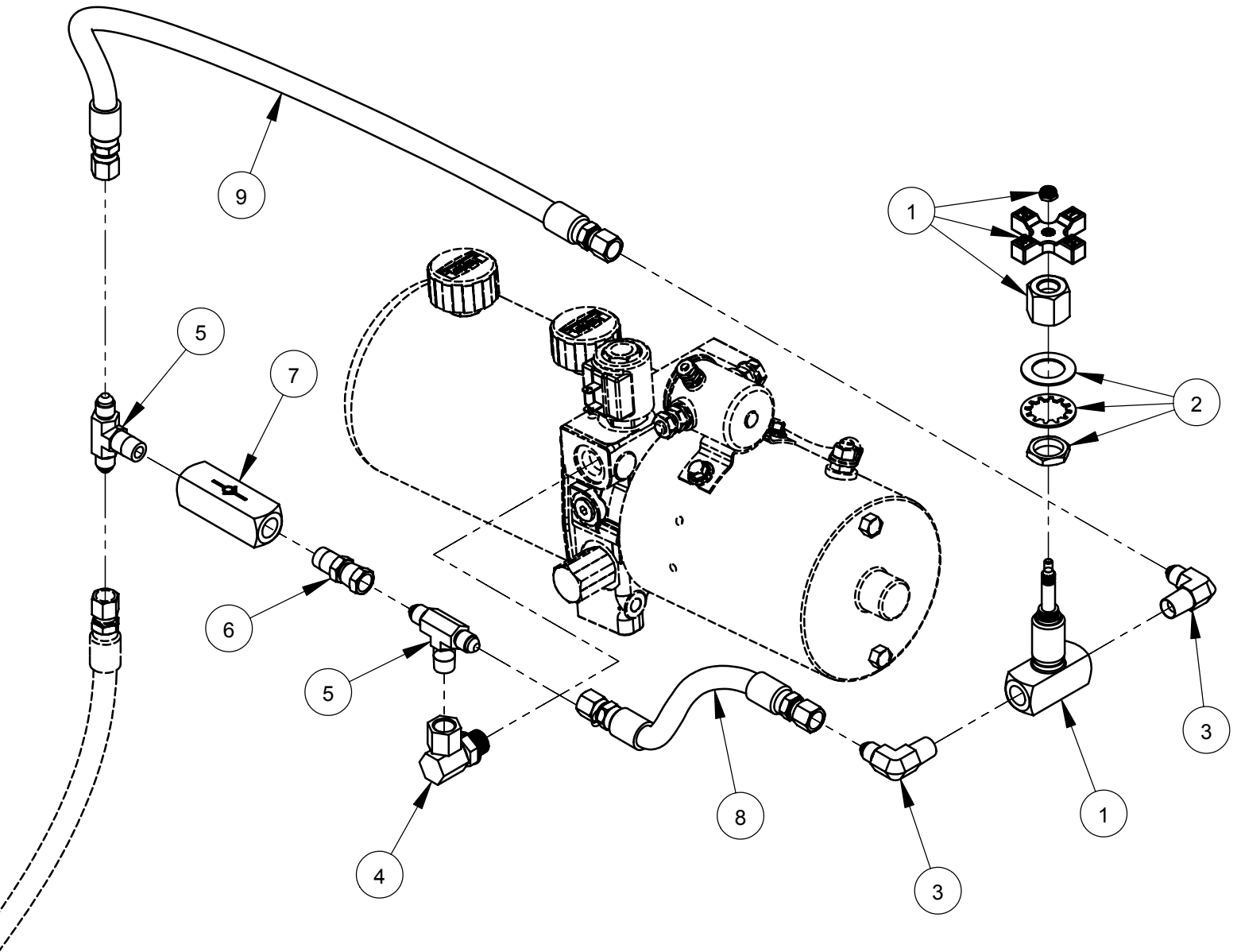
ITEM	PART NO.	QTY.	DESCRIPTION
1	2500194	1	Spot Light, 12 Volt
2	6010106	1	Light Bar
3	6010107	1	Light Bar Mount Bracket
4	2400157	2	Hand Lock Knob, 5/16-18 x 1"
5	2900144	2	Cap Screw, Hex Hd., 1/4-20 x 3/4"
6	2900010	2	Lock Nut, 1/4-20 Nylon
7	2800062	1	Toggle Switch
8	2800063	1	Switch Boot

Optional Magentic Spot Light Assembly #6011170



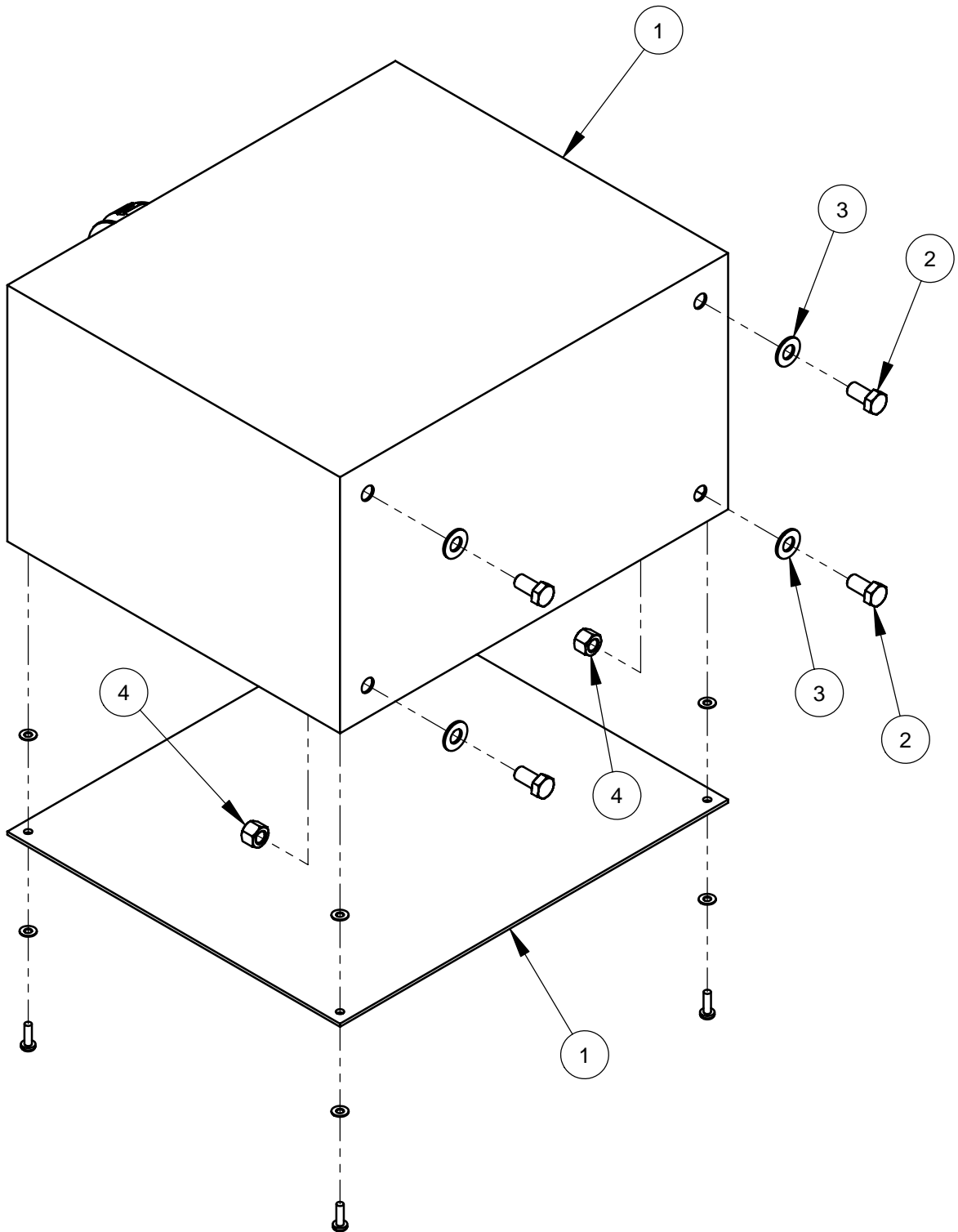
ITEM	PART NO.	QTY.	DESCRIPTION
1	2501087	1	Light, 12V Magnetic Base
2	2800374	1	Outlet, 12 Volt Power
3	2800375	1	Cap, 12 Volt Power Outlet
4	2800062	1	Toggle Switch
5	2800063	1	Switch Boot

Optional Lowering Speed Metering Valve Assembly #6010227



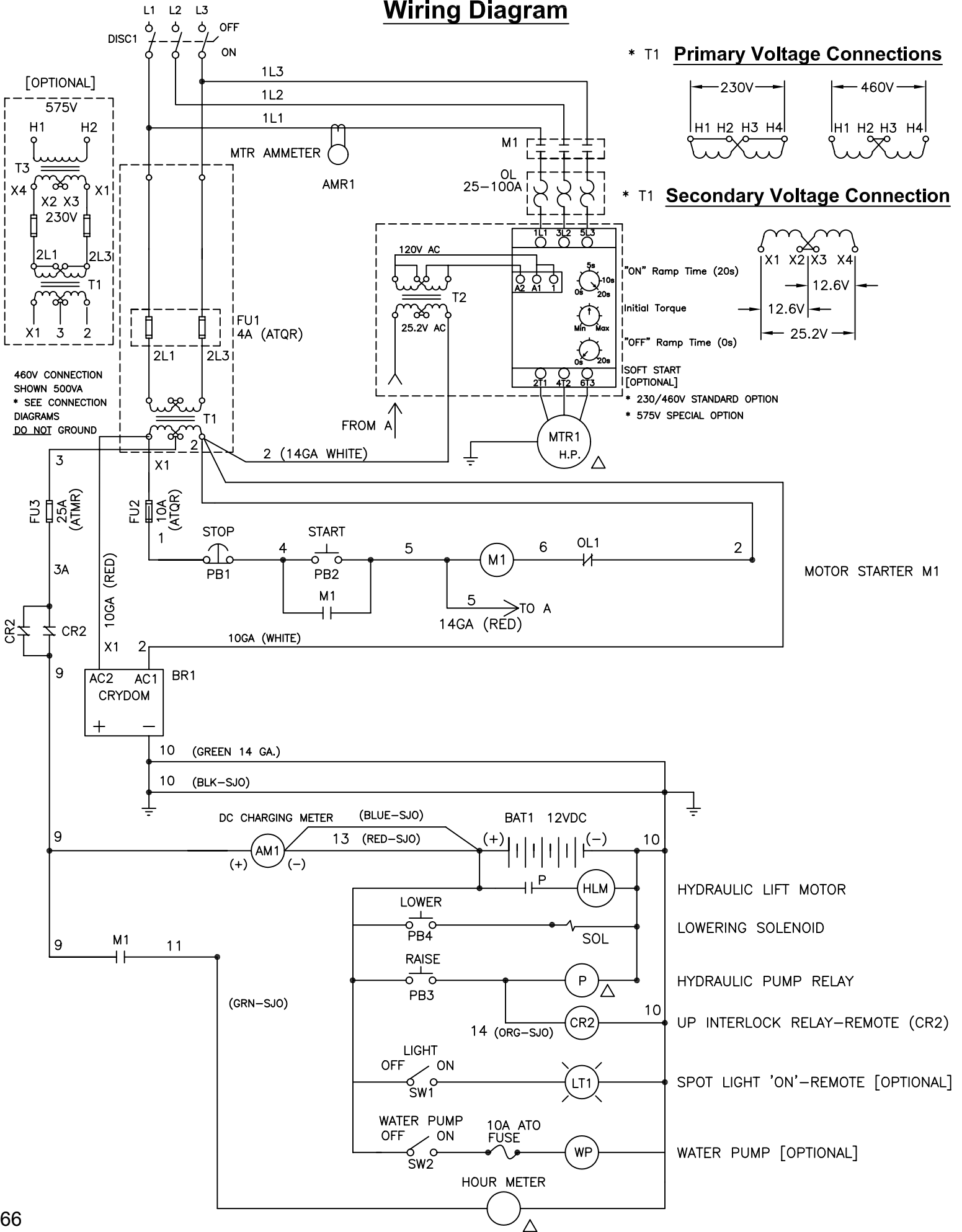
ITEM	PART NO.	QTY.	DESCRIPTION
1	3200211	1	Valve, 1/4" Metering
2	3200212	1	Panel Mounting Kit
3	3200057	2	Elbow, 1/4" M. Pipe to 1/4" M. JIC
4	3200115	1	Elbow, 3/8" O-Ring to 1/4" F. Pipe
5	3200213	2	Tee, 1/4" M. JIC to 1/4" M. Pipe
6	3200219	1	Adapter, 1/4" M. Pipe to 1/4" F. JIC
7	3200218	1	Check Valve
8	6010247	1	Hose Assembly, 8" Long
9	6010248	1	Hose Assembly, 20" Long

Optional Soft Start Control Assembly #6010228



ITEM	PART NO.	QTY.	DESCRIPTION
1	2700812	1	Soft Start Control Unit
2	2900196	4	Cap Screw, Hex Hd., 3/8-16 x 3/4"
3	2900014	4	Flat Washer, 3/8" SAE
4	2900018	4	Lock Nut, 3/8-16 Nylon

Wiring Diagram



Decal Group

CORE CUT CC3700T

CORE CUT DECAL
#1800920 (Qty. 3)

DIAMOND PRODUCTS CORE CUT CC3700T 333 PROSPECT STREET
ELYRIA, OHIO 44038 USA
PHONE: 1-800-321-5336
www.diamondproducts.com

CC3740TE RPM CHART

GUARD SIZE	BLADE SIZE	BLADE RPM	BLADE SHAFT	BLADESHAFT SHEAVE	MOTOR SHEAVE	MOTOR RPM	FLANGE SIZE	DEPTH OF CUT
20"	18"	2,475	REAR	3.65"	5"	1,800	4-1/2"	0-1/2"
	1-1/2"							
	2-1/2"							
26"	22"	2,025	FRONT	4"	4.5"	1,800	6"	0-1/2"
	1-1/2"							
	2-1/2"							
30"	24"	1,700	FRONT	3.65"	5"	1,800	6"	0-1/2"
	1-1/2"							
	2-1/2"							
36"	28"	1,400	FRONT	4"	4.5"	1,800	6"	0-1/2"
	1-1/2"							
	2-1/2"							

WARNING

- Always check the bladeshaft RPM before mounting blade.
- Only use blades with a rated speed higher than the bladeshaft speed.
- Never exceed the maximum RPM stamped on blade. Overriding the blade can cause blade breakage and serious personal injury.
- When changing bases saw, always adjust maximum rpm according to the speed chart to match recommended blade RPM.
- Do not use a blade flange size smaller than indicated for each blade.
- Never operate saw without the blade guard in place or allow rotating blade exposure to exceed 180 degrees.
- Never stand in line with the blade path when starting or operating saw.
- Never use damaged blades or equipment.
- Refer to operator's manual for additional information about safety, operation and maintenance.

ADVERTENCIA

- Siempre cheque la velocidad en RPM de la hoja de la sierra antes de montar la hoja.
- Utilice solo hojas con una velocidad nominal superior a la velocidad de la sierra.
- Nunca exceda la velocidad máxima indicada en la hoja. Exceder la velocidad puede causar rotura de la hoja y lesiones personales graves.
- Al cambiar bases de sierra, siempre ajuste la velocidad máxima de acuerdo a la velocidad de la sierra para coincidir con la velocidad recomendada de la hoja.
- No utilice un tamaño de flange de hoja menor que el indicado para cada hoja.
- Nunca opere la sierra sin la guarda de la hoja en su lugar o permita que la exposición de la hoja exceda los 180 grados.
- Nunca se ponga en línea con el camino de la hoja al iniciar o operar la sierra.
- Nunca use hojas dañadas o equipo.
- Consulte el manual del operador para obtener información adicional sobre seguridad, operación y mantenimiento.

RPM CHART DECAL
#1800921

WARNING

TO PREVENT SERIOUS INJURY
DO NOT OPERATE SAW
WITHOUT PROPER TRAINING
& FULL UNDERSTANDING
OF THE OWNERS MANUAL.

WHEN OPERATING THIS MACHINE
KEEP ALL
GUARDS IN
PLACE.

ALWAYS WEAR SAFETY APPROVED

HEARING PROTECTION

EYE OR FACE PROTECTION

HEAD PROTECTION

RESPIRATOR

S.M.I. MASONRY AND CONCRETE
SAW MANUFACTURERS INSTITUTE ©

WARNING DECAL
#1800001

This sheet contains multiple labels for the saw, including three circular RPM charts for different blade sizes, fuel instructions for diesel engines, and various safety and operational warnings in both English and Spanish. It also includes diagrams for blade adjustment and control panel labels.

SAW LABELS SHEET
#1800351

RECOMMENDED POWER CORD GAUGE

HORSE POWER	PHASE	VOLTAGE	AMPS	50L. CORD	100L. CORD	150L. CORD	200 L. CORD
5hp	1ph	230v	23A	#10	#8	#6	#4
5hp	3ph	230v	12A	#14	#12	#10	#8
5hp	3ph	480v	6A	#14	#14	#12	#10
7.5hp	1ph	230v	33A	#8	#6	#4	#2
10hp	3ph	230v	24A	#10	#8	#6	#4
10hp	3ph	480v	12A	#14	#12	#10	#8
20hp	3ph	230v	52A	#6	#6	#4	#2
20hp	3ph	480v	26A	#10	#8	#6	#4
25hp	3ph	230v	56A	#6	#6	#4	#2
25hp	3ph	480v	29A	#10	#8	#6	#4
30hp	3ph	230v	74A	#6	#4	#2	#1
30hp	3ph	480v	37A	#6	#6	#4	#2
40hp	3ph	480v	48A	#6	#6	#4	#2
50hp	3ph	480v	62A	#4	#4	#2	#0

CAUTION: Use of a wire gauge that is too small will cause loss of power or overheating and will damage the electric motor.

POWER CORD DECAL
#1800376

EQUIPMENT AND PARTS WARRANTY

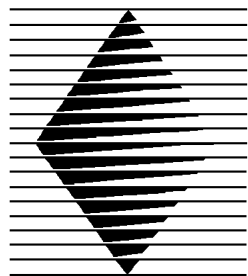
Diamond Products warrants all equipment manufactured by it against defects in workmanship or materials for a period of one (1) year from the date of shipment to Customer.

The responsibility of Diamond Products under this Warranty is limited to replacement or repair of defective parts at Diamond Products' Elyria, Ohio factory, or at a point designated by it, of such parts as shall appear to us upon inspection at such parts, to have been defective in material or workmanship, with expense for transportation and labor borne by Customer.

In no event shall Diamond Products be liable for consequential or incidental damages arising out of the failure of any Product to operate properly.

Integral units such as engines, electric motors, batteries, transmissions, etc., are excluded from this Warranty and are subject to the prime manufacturer's warranty.

THIS WARRANTY IS IN LIEU OF ALL OTHER WARRANTIES, EXPRESSED OR IMPLIED, AND ALL SUCH OTHER WARRANTIES ARE HEREBY DISCLAIMED.



DIAMOND PRODUCTS

333 Prospect Street, Elyria, Ohio 44035
(440) 323-4616 • (800) 321-5336 • Fax (440) 323-8689
www.diamondproducts.com