



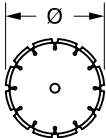
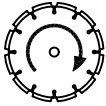
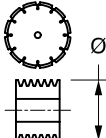
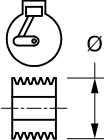

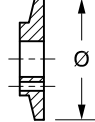
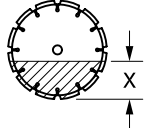
# CONCRETE SAW PARTS LIST

**MODEL  
CC3728**

November 2013

Part #1800878

**⚠ WARNING: NEVER EXCEED THE MAXIMUM RPM STAMPED ON BLADE!**  
 Excessive speed can cause blade breakage resulting in serious personal injury or death!

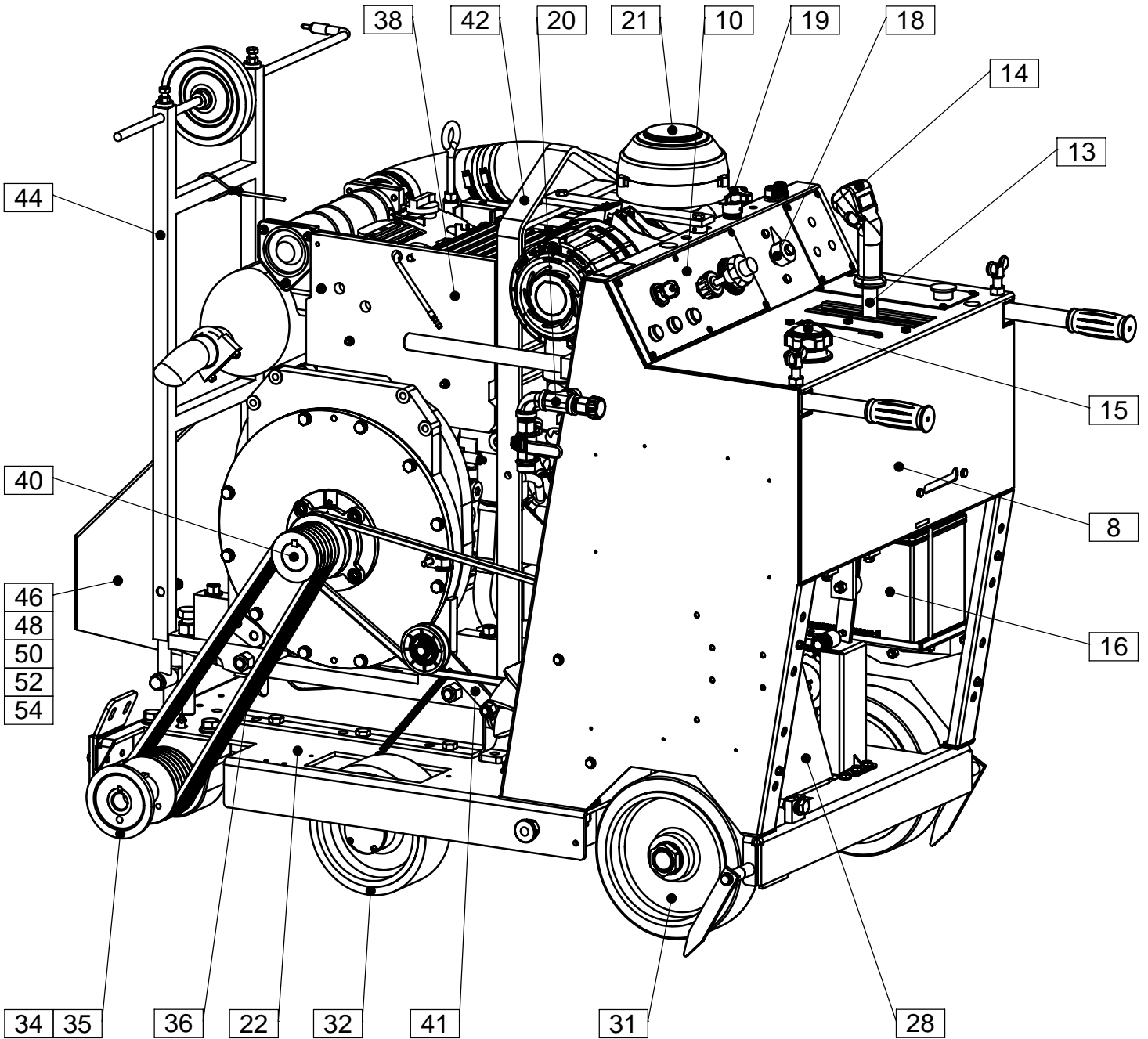
CC3728 RPM CHART						
BLADE SIZE	BLADE RPM	BLADESHAFT SHEAVE	ENGINE SHEAVE	ENGINE RPM	FLANGE SIZE	MAX CUT DEPTH
14"	3,000	3.65"	3.65"	3,000	4-1/2"	4-5/8"
20"	2,475	4.12"	3.65"	2,800	4-1/2"	7-5/8"
26"	1,900	4.12"	3.12"	2,500	4-1/2"	10-5/8"
30"	1,650	4.75"	3.12"	2,500	6"	11-3/4"
36"	1,400	4.75"	3.12"	2,150	6"	14-3/4"
						

**⚠ WARNING ⚠**  
 The engine exhaust from this product contains chemicals known to the State of California to cause cancer, birth defects or other reproductive harm.

## Table of Contents

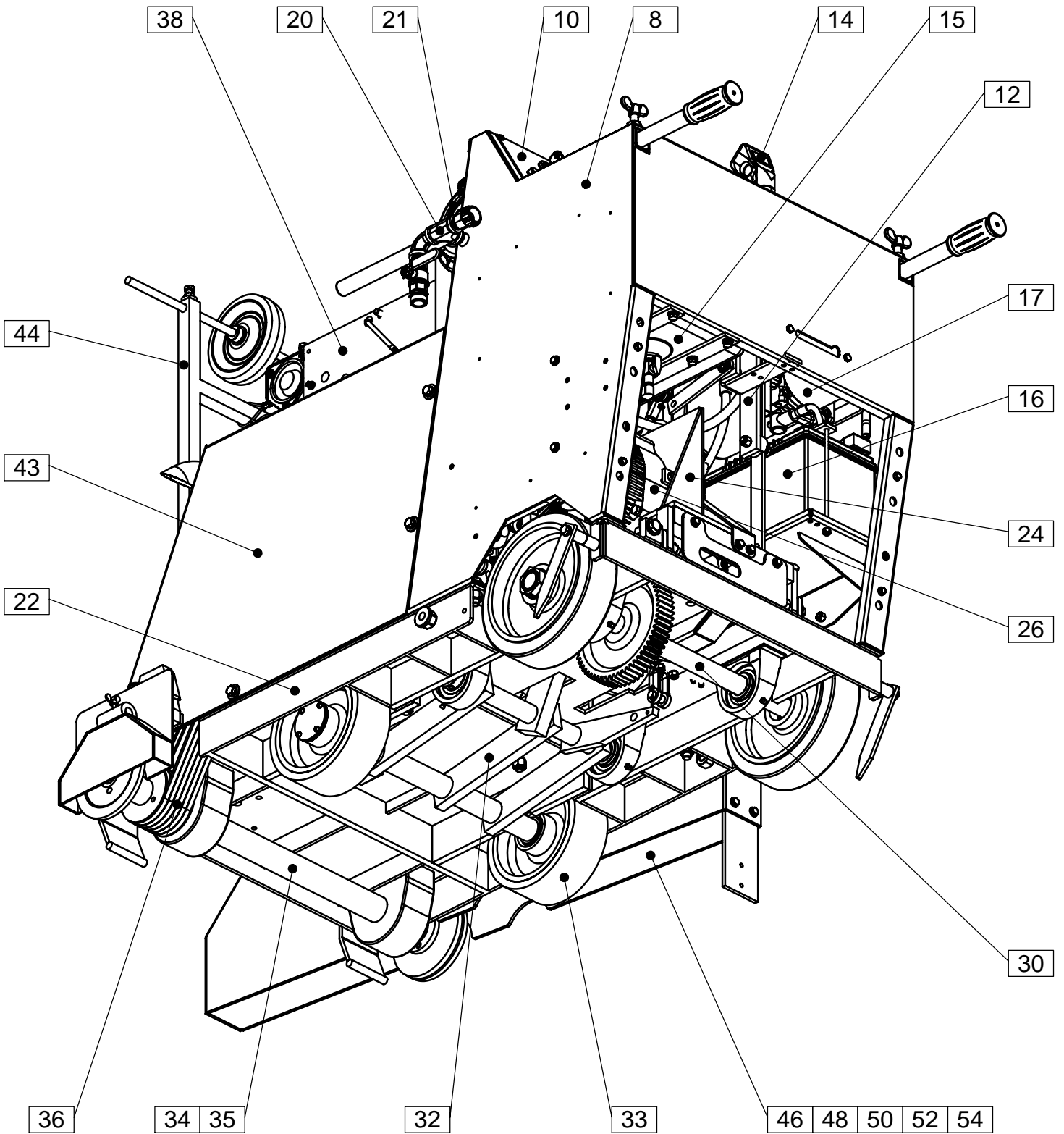
Pictorial Index.....	4,5	Engine Assembly.....	38,39
Controls Legend.....	6	PTO Assembly.....	40
Quick Reference Service Filters / Belts.....	7	Idler Assembly.....	41
Frame Upright Assembly.....	8,9	Frame Lift Assembly.....	42
Instrument Panel Assembly.....	10	Belt Guard Assembly.....	43
Throttle Cable Assembly.....	11	Front Pointer Assembly.....	44
Control Lever Assembly (Eaton).....	12	Pointer Stop Assembly.....	45
Control Lever Assembly (Sundstrand).....	13	14” Blade Guard Assembly.....	46,47
Control Grip Assembly.....	14	20” Blade Guard Assembly.....	48,49
Fuel Tank Assembly.....	15	26” Blade Guard Assembly.....	50,51
Battery Assembly.....	16	30” Blade Guard Assembly.....	52,53
Hydraulic Pump Assembly.....	17	36” Blade Guard Assembly.....	54,55
Depth Indicator Assembly.....	18	Optional Water Pump Assembly.....	56
Depth Stop Assembly.....	19	Optional Water Safety Switch Assembly.....	57
Water Supply Assembly.....	20	Optional Spot Light Assembly.....	58
Air Intake Assembly.....	21	Optional Magnetic Spot Light Assembly.....	59
Frame Base Assembly.....	22	Optional Glow Plug Assembly.....	60
Hydraulic Cylinder Assembly.....	23	Optional Speed Metering Valve Assembly.....	61
Rear Drive Assembly (Eaton).....	24,25	Optional Free Wheeling Clutch Assembly.....	62,63
Eaton Transmission Assembly.....	26	Optional Parking Brake Assembly.....	64,65
Linkage Assembly.....	27	Optional Blade Stacking Assembly.....	66,67
Rear Drive Assembly (Sundstrand).....	28,29	Optional Blade Spacing Assembly.....	68,69
Rear Axle Assembly (Eaton / Gear).....	30	Optional Blade Spacing Assembly.....	70,71
Rear Axle Assembly (Sundstrand / Chain).....	31	Optional Shaft Tachometer Assembly.....	72
Front Axle Assembly.....	32	Decal Group.....	73
Front Wheel Assembly.....	33	Wiring Diagram.....	74,75
Blade Shaft Assembly (Blades 14” – 26”).....	34	Options Wiring Diagram.....	76
Blade Shaft Assembly (Blades 30” – 36”).....	35	Notes.....	77,78
Belt Drive Assembly.....	36,37	Blade Speed Conversion Charts.....	79
		Warranty.....	80

## Pictorial Page Index



**Shown with Sundstrand Transmission**

# Pictorial Page Index



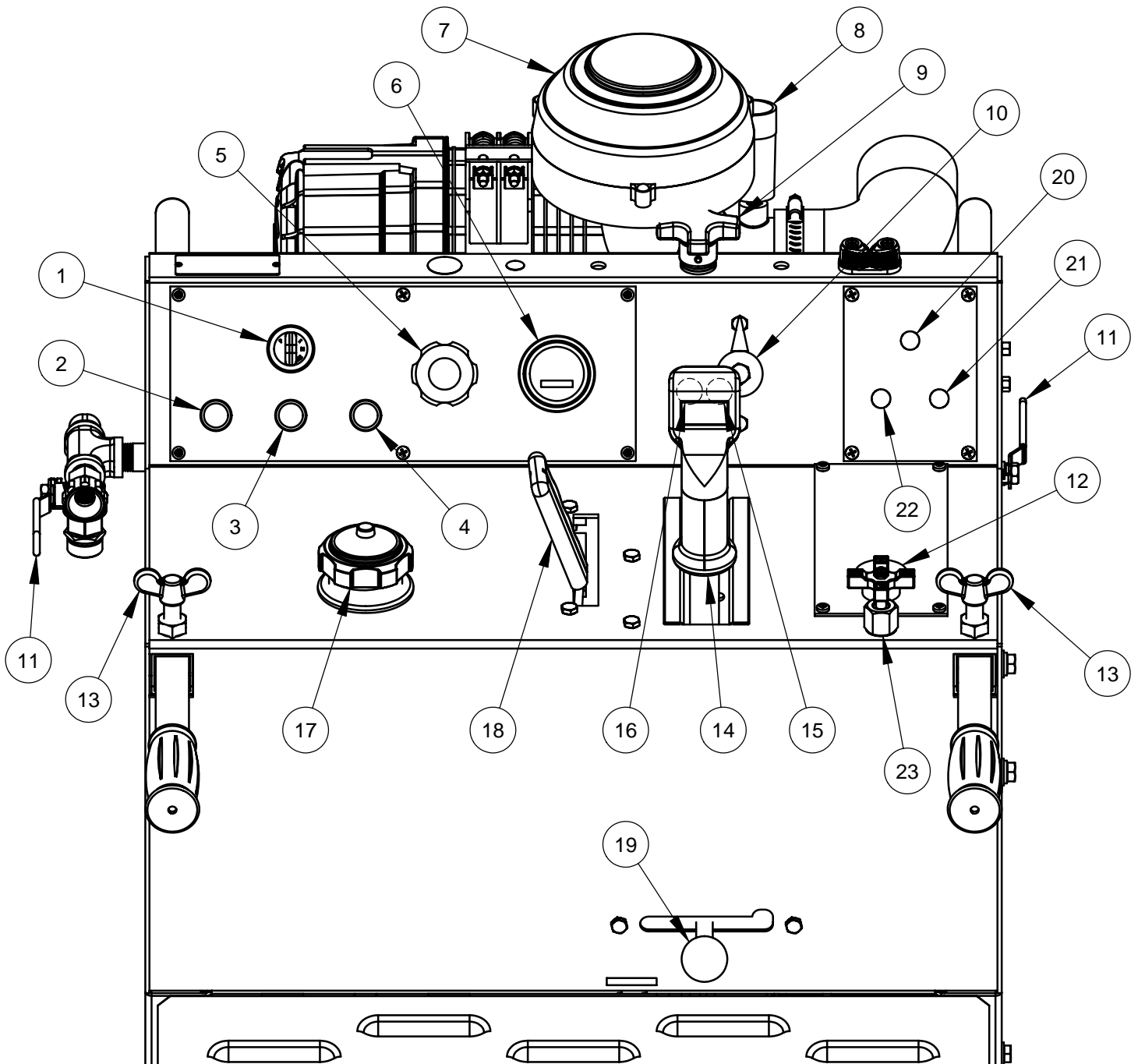
Shown with Eaton Transmission

## Controls Legend

- |                                     |   |
|-------------------------------------|---|
| 1 Ignition Switch                   | 13 Handle Lock Knobs                        |
| 2 Alternator Light                  | 14 Speed Control Lever                      |
| 3 Oil Temperature Light             | 15 Lower Pushbutton                         |
| 4 Oil Pressure Light                | 16 Raise Pushbutton                         |
| 5 Vernier Throttle Control          | 17 Fuel Tank Cap                            |
| 6 Hour Meter                        | 18 Transmission Engagement Lever *          |
| 7 Pre-Cleaner                       | 19 Transmission Engagement Lever **         |
| 8 Air Cleaner Restriction Indicator | 20 Water Safety Switch (Optional)           |
| 9 Depth Stop Knob                   | 21 Spotlight Switch (Optional)              |
| 10 Cutting Depth Indicator          | 22 Water Pump Switch (Optional)             |
| 11 Water Valve                      | 23 Lowering Speed Metering Valve (Optional) |
| 12 Emergency Stop Button            |   |

\* For Eaton Transmission Only

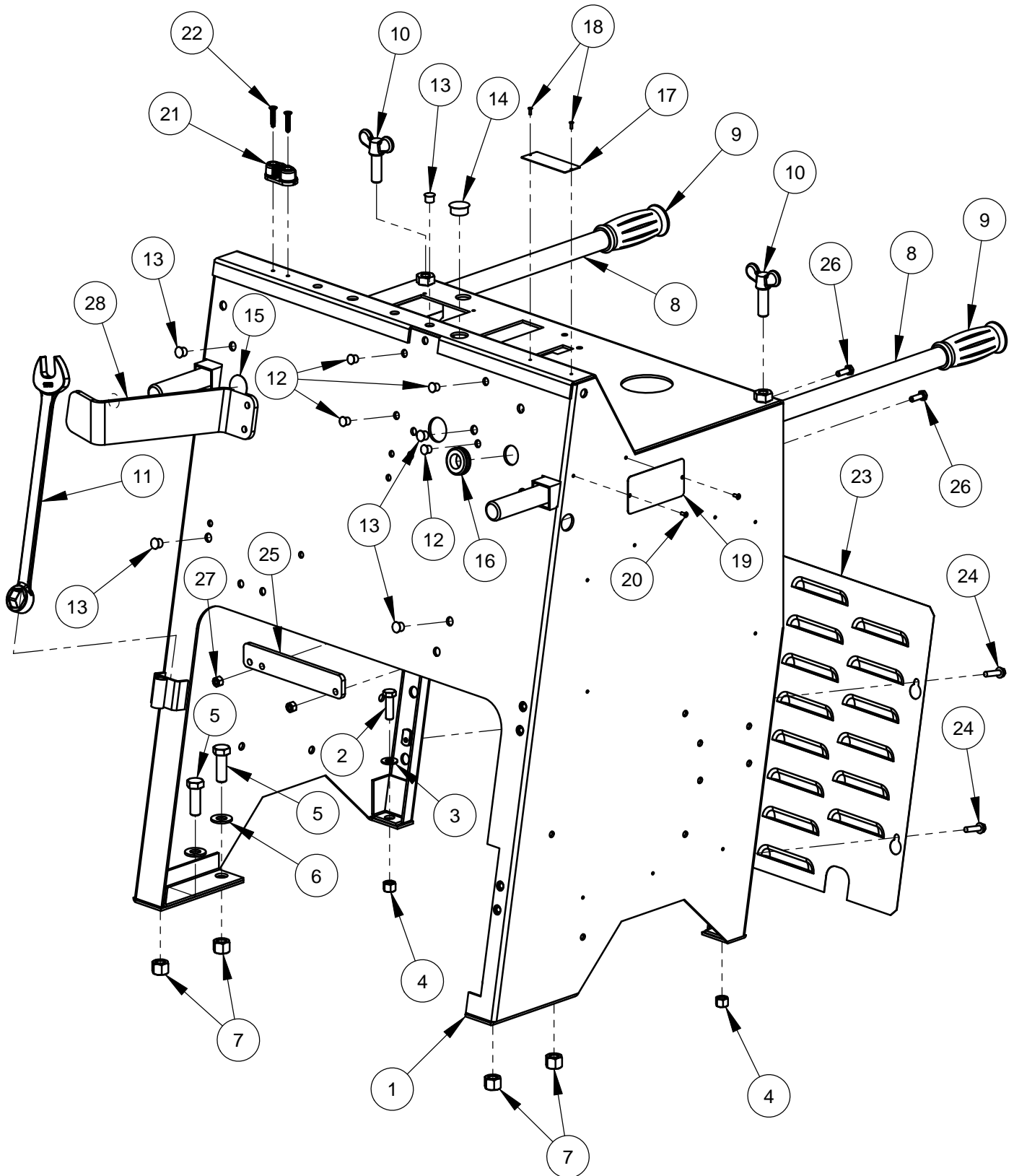
\*\* Optional for Sundstrand Transmission Only



## Quick Reference Service Filters / Belts

<b>DP Part No.</b>	<b>Description</b>	<b>Manufacturer's Part No.</b>
2701775	Engine Oil Filter	(Deutz #1174416)
2701339	Engine Fuel Filter	(Deutz #1174482)
2501785	In-Line Fuel Tank Filter	(Wix #33007)
2501288	Outer Primary Air Filter	(Donaldson #P822768)
2501289	Inner Safety Air Filter	(Donaldson #P822769)
2500298	Blade Shaft Belt (6)	(Gates #3VX475)
6010063	Transmission Link Belt	(Gates #NTL/A)

# Frame Upright Assembly #6012202



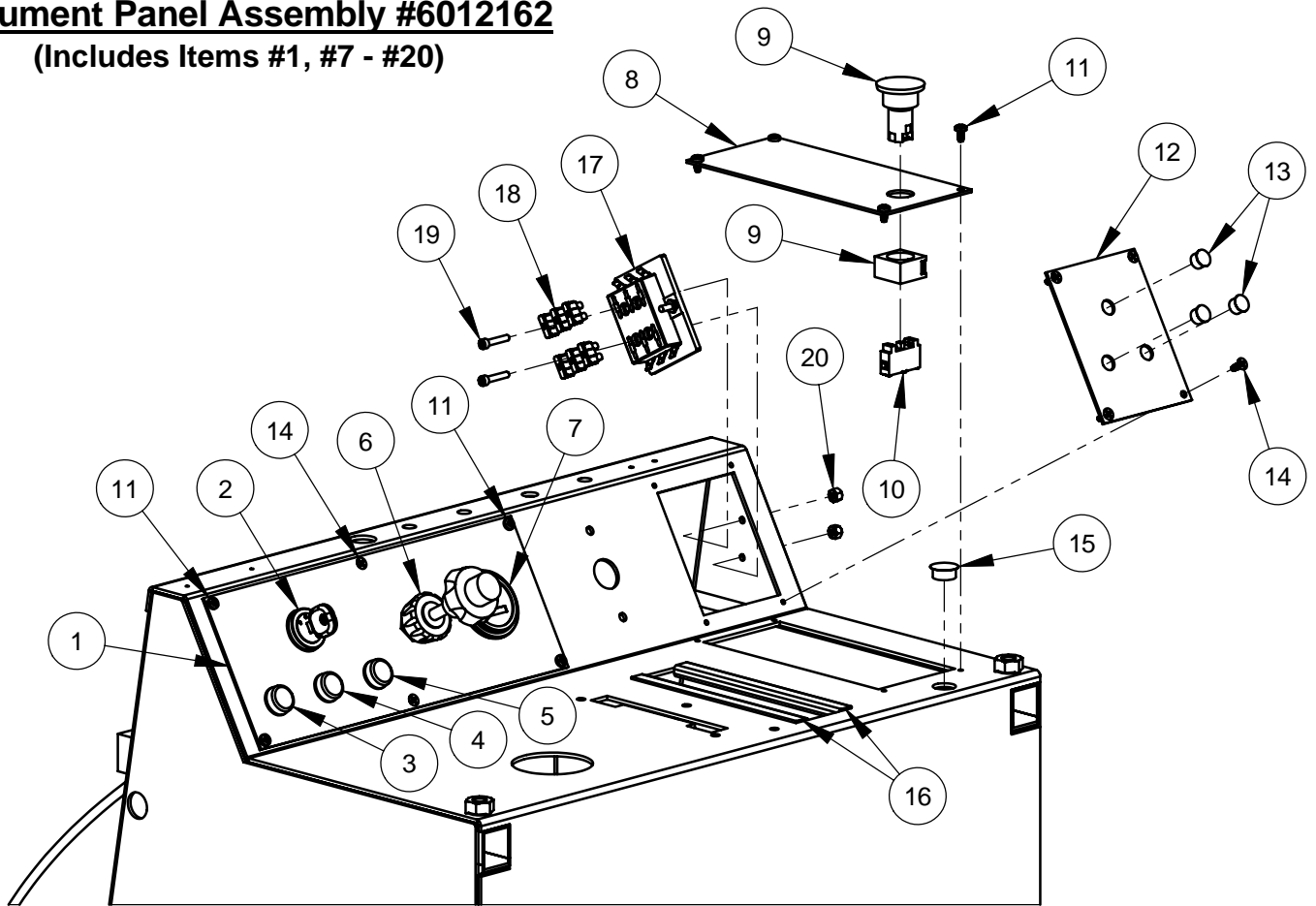


## Frame Upright Assembly #6012202

ITEM	PART NO.	QTY.	DESCRIPTION
1	6012138	1	Frame Upright Weldment
2	2900013	2	Cap Screw, Hex Hd., 3/8-16 x 1-1/4"
3	2900014	2	Flat Washer, 3/8" SAE
4	2900018	2	Lock Nut, 3/8-16 Nylon
5	2900499	4	Cap Screw, Hex Hd., 1/2-13 x 1-1/2"
6	2900058	4	Flat Washer, 1/2" SAE
7	2900026	4	Lock Nut, 1/2-13 Nylon
8	6010014	2	Handle Bar, 36" Long
9	2500636	2	Handle Grip
10	2900430	2	Hand Lock Knob, 1/2-13 x 1-1/2"
11	2503704	1	Wrench, 15/16" Combination
12	2500462	4	Plug, 3/8" Hole
13	2501287	5	Plug, 7/16" Hole
14	2500549	1	Plug, 7/8" Hole
15	2500489	1	Plug, 1" Hole
16	2500203	1	Grommet, 3/4" I.D.
17	1800169	1	Serial Number Plate, US
18	2900096	2	Rivet, 3/32" Dia.
19	1800377	1	Serial Number Plate, CE
20	2900287	2	Rivet, 1/8" Dia.
21	2501427	1	Cable Cleat
22	2900483	2	Tap Screw, Flat Hd., #10-24 x 1"
23	6012008	1	Rear Cover Screen
24	2900180	4	Cap Screw, Hex Flange Hd., 1/4-20 x 1"
25	6010166	1	Gate Cover Bar
26	2900144	2	Cap Screw, Hex Hd., 1/4-20 x 3/4"
27	2900010	2	Lock Nut, 1/4-20 Nylon
28	6012189	1	Handle Bar Stop Bracket

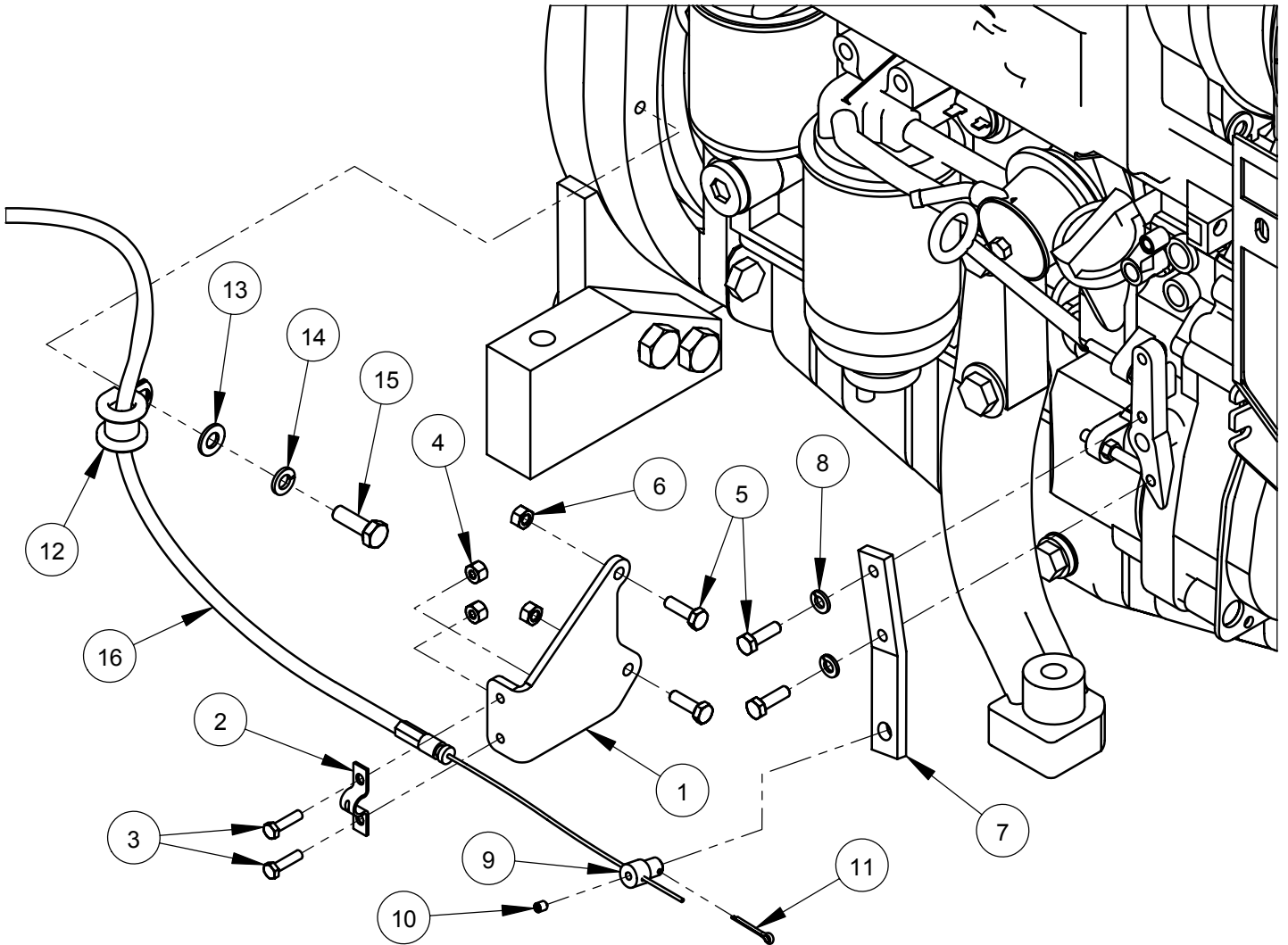
## Instrument Panel Assembly #6012162

(Includes Items #1, #7 - #20)



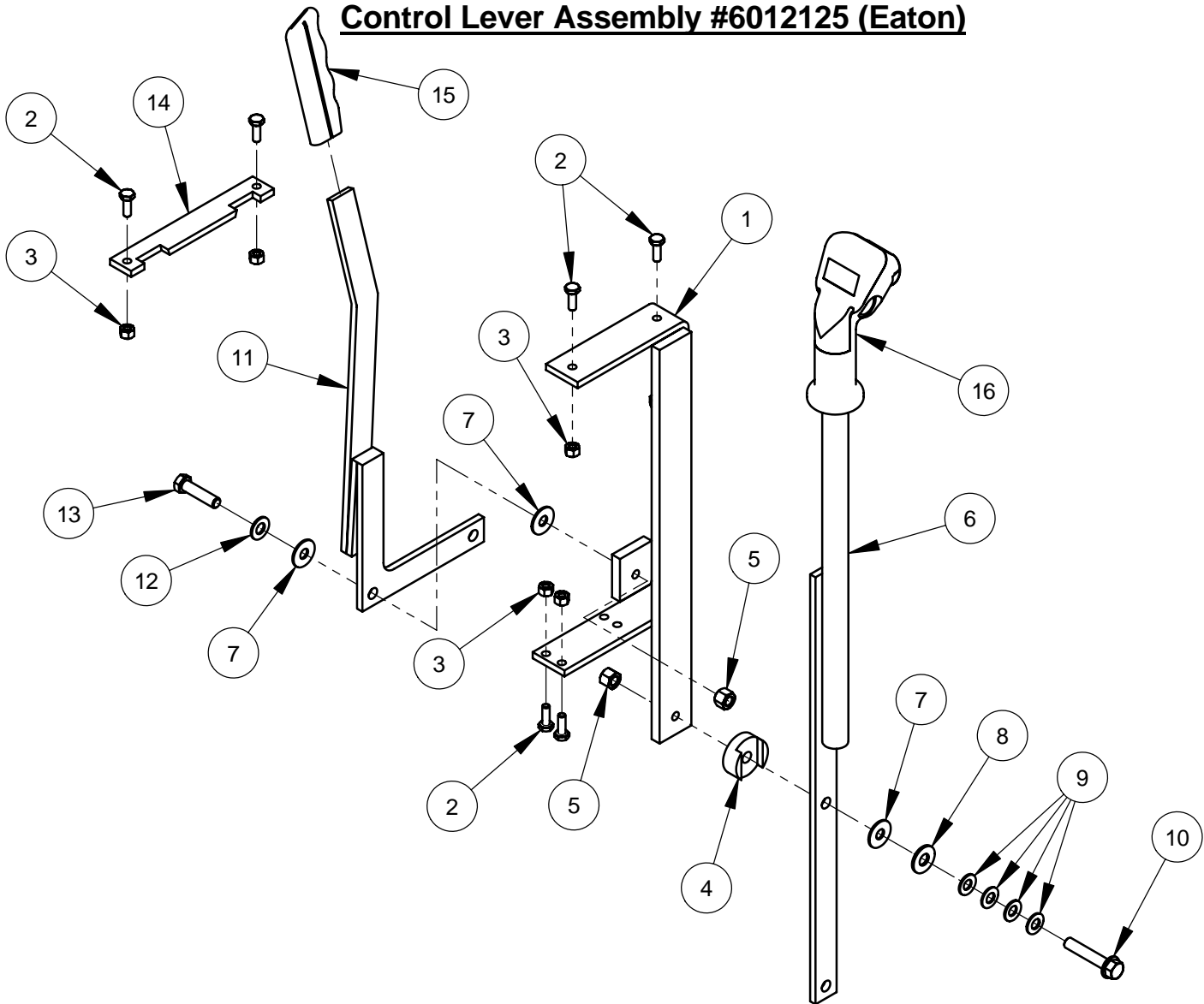
ITEM	PART NO.	QTY.	DESCRIPTION
1	6012041	1	Gauge Panel
2	2703194	1	Ignition Switch & Key
	2703195	1	Ignition Key Only, Double Cut
3	2700785	1	Alternator Light
4	2700787	1	Oil Temperature Light
5	2700786	1	Oil Pressure Light
6	2500376	1	Vernier Throttle Cable
7	2800064	1	Hour Meter
8	6011024	1	Hydraulic Pump Cover Plate
9	2800461	1	Emergency Stop Button
10	2800462	1	Contact Block, N.C.
11	2900021	8	Tap Screw, Pan Hd., #10-24 x 3/8"
12	6010098	1	Switch Plate
13	2500204	3	Plug, 1/2" Hole
14	2900445	6	Tap Screw, Flat Hd., #10-24 x 1/2"
15	2500463	1	Plug, 3/4" Hole
16	6011031	2	Edge Trim
17	2800388	1	Fuse Panel, 6 Circuit
18	2800389	6	Fuse, 10 Amp Red ATO/ATC
19	2900913	2	Cap Screw, Soc. Hd., #10-24 x 1"
20	2900017	2	Lock Nut, #10-24 Nylon

## Throttle Cable Assembly #6010729



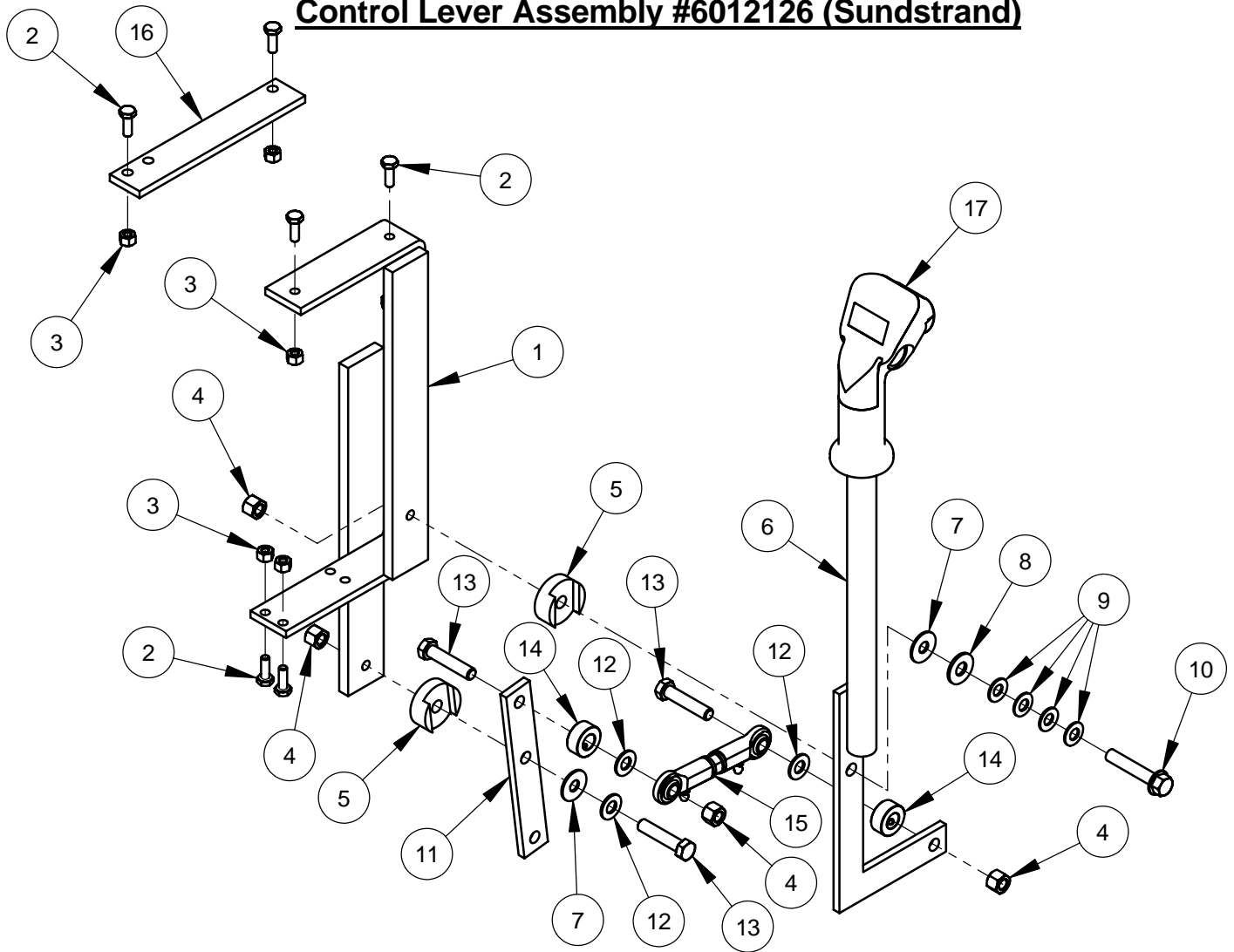
ITEM	PART NO.	QTY.	DESCRIPTION
1	6010523	1	Throttle Bracket
2	2500940	1	Throttle Cable Clamp
3	2900015	2	Machine Screw, Hex Hd., #10-24 x 3/4"
4	2900017	2	Lock Nut, #10-24 Nylon
5	2900310	4	Cap Screw, Hex Hd., M6 x 20mm
6	2900302	2	Lock Nut, M6 Nylon
7	6013029	1	Throttle Arm
8	2900024	2	Lock Washer, 1/4" Split
9	6048212	1	Pivot Pin
10	2900059	1	Set Screw, Soc. Hd., #10-32 x 1/4"
11	2900034	1	Cotter Pin, 3/32" x 3/4"
12	2501434	1	Hose Clamp, 1/2" x 3/4" Wide
13	2900022	1	Flat Washer, 5/16" SAE
14	2900031	1	Lock Washer, 5/16" Split
15	2900360	1	Cap Screw, Hex Hd., M8 x 25mm
16	2500376	1	Vernier Throttle Cable

## Control Lever Assembly #6012125 (Eaton)



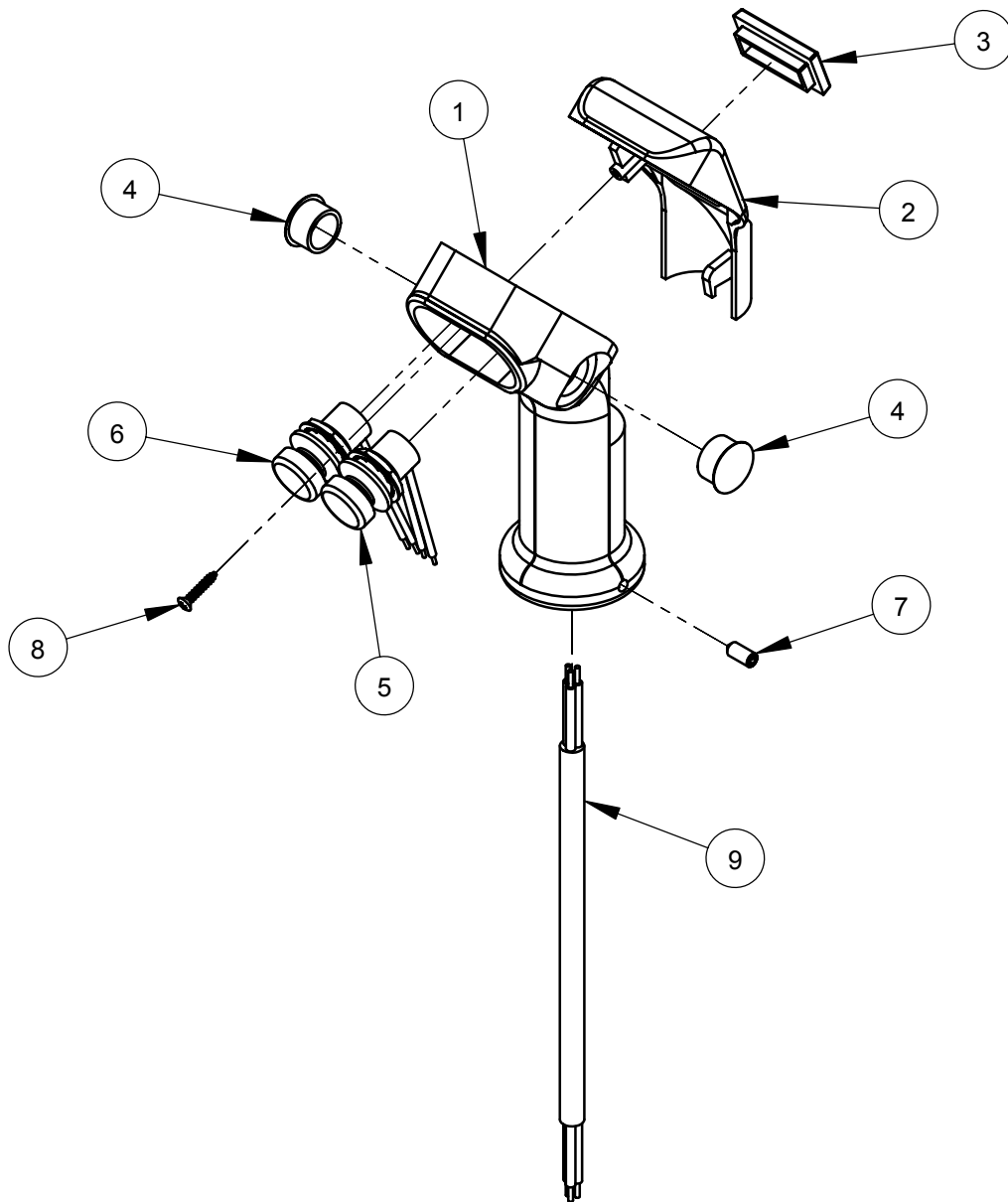
ITEM	PART NO.	QTY.	DESCRIPTION
1	6012057	1	Lever Support Weldment
2	2900144	6	Cap Screw, Hex Hd., 1/4-20 x 3/4"
3	2900010	6	Lock Nut, 1/4-20 Nylon
4	6010055	1	Friction Spacer
5	2900018	2	Lock Nut, 3/8-16 Nylon
6	6011414	1	Speed Control Lever
7	2900153	3	Friction Washer, 3/8"
8	2900473	1	Flat Washer, 3/8" USS
9	2900474	4	Belleville Washer, 3/8"
10	2900472	1	Cap Screw, Hex Flange Hd., 3/8-16 x 2"
11	6010057	1	Engagement Lever Weldment
12	2900014	1	Flat Washer, 3/8" SAE
13	2900029	1	Cap Screw, Hex Hd., 3/8-16 x 1-1/2"
14	6010058	1	Gate Plate
15	2500002	1	Lever Grip
16	6010319	1	Control Grip Assembly

## Control Lever Assembly #6012126 (Sundstrand)



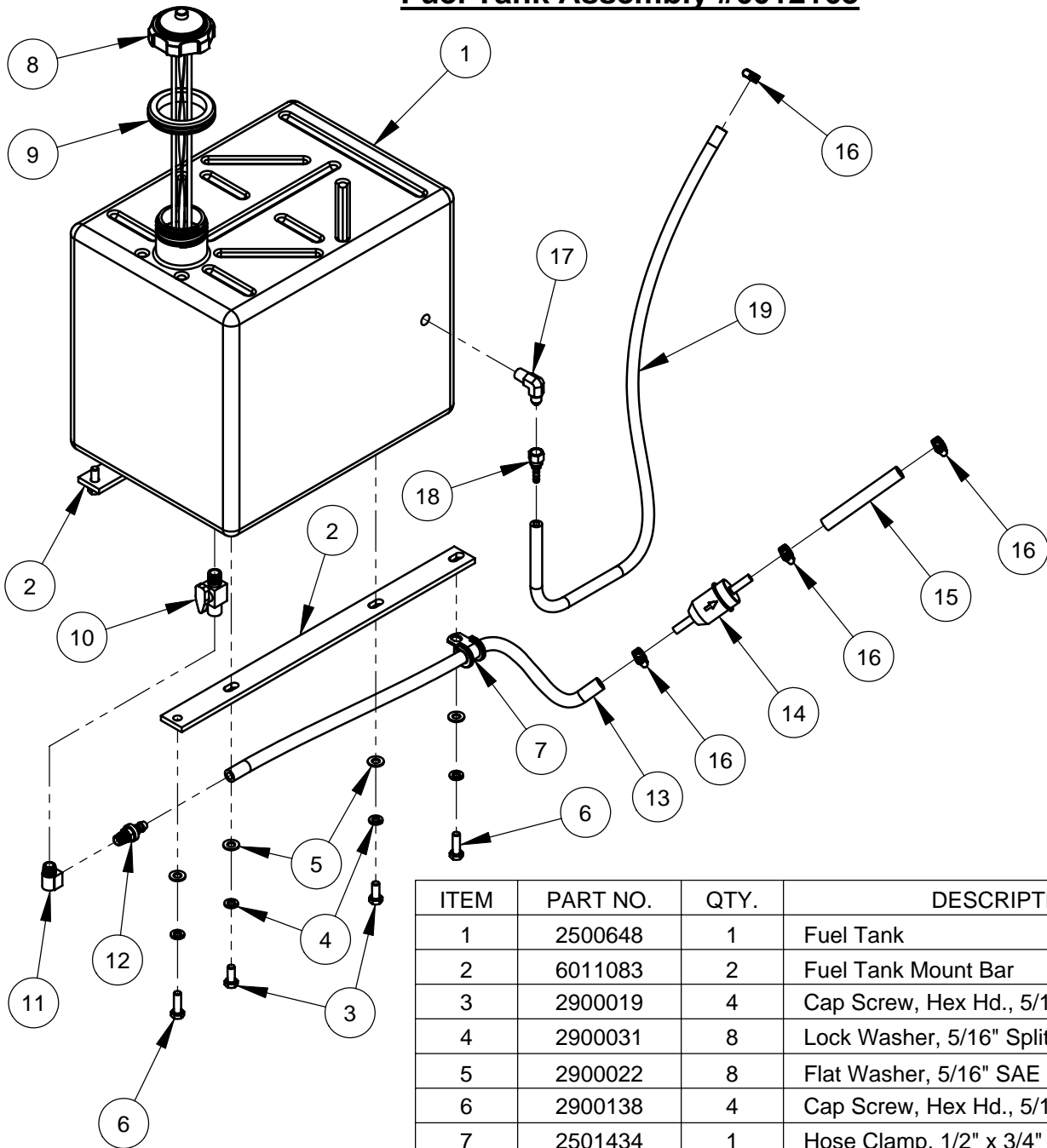
ITEM	PART NO.	QTY.	DESCRIPTION
1	6011018	1	Lever Support Weldment
2	2900144	6	Cap Screw, Hex Hd., 1/4-20 x 3/4"
3	2900010	6	Lock Nut, 1/4-20 Nylon
4	2900018	4	Lock Nut, 3/8-16 Nylon
5	6010055	2	Friction Spacer
6	6010315	1	Speed Control Lever
7	2900153	2	Friction Washer, 3/8"
8	2900473	1	Flat Washer, 3/8" USS
9	2900474	4	Belleville Washer, 3/8"
10	2900472	1	Cap Screw, Hex Flange Hd., 3/8-16 x 2"
11	6011017	1	Linkage Lever
12	2900014	3	Flat Washer, 3/8" SAE
13	2900047	3	Cap Screw, Hex Hd., 3/8-16 x 1-3/4"
14	2500007	2	Set Collar, 1/2" with Set Screw
15	6011301	1	Linkage Assembly 3-3/4"
16	6010166	1	Gate Cover Bar
17	6010319	1	Control Grip Assembly

## Control Grip Assembly #6010319



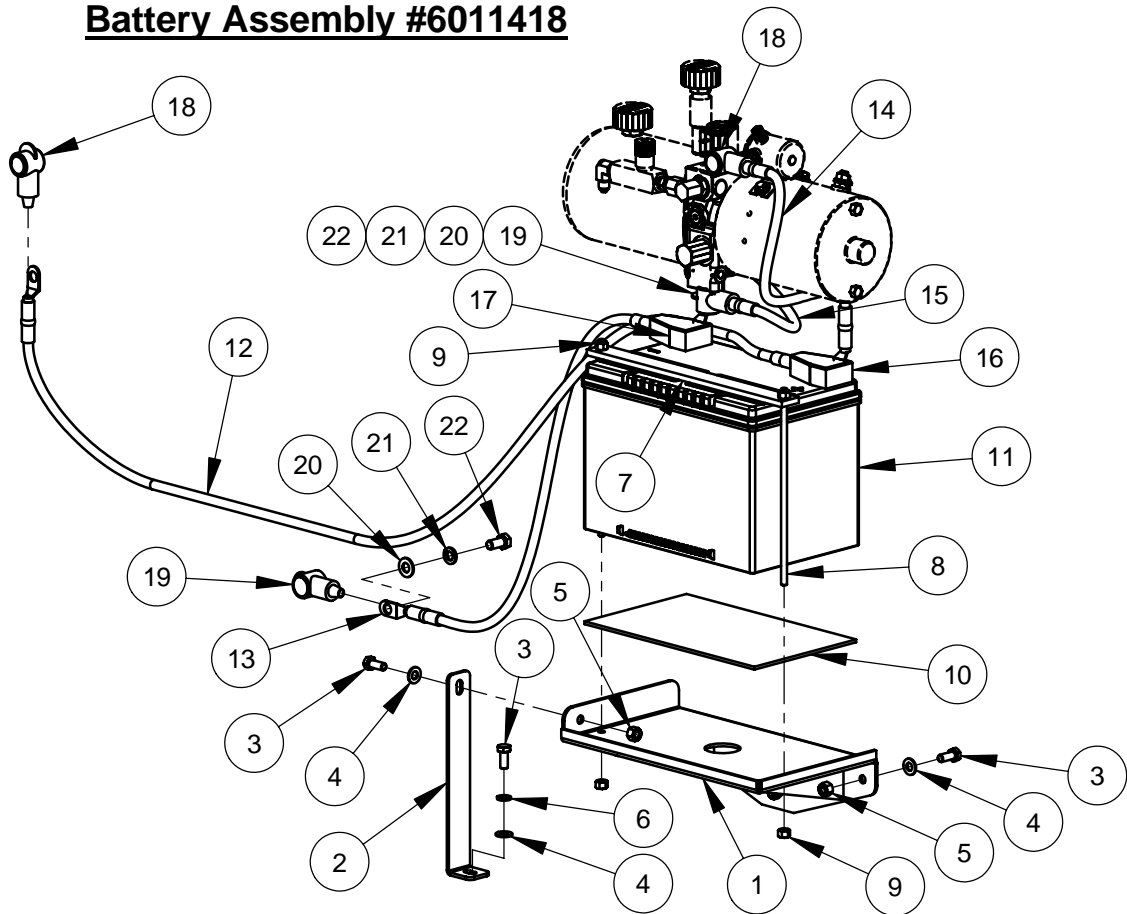
ITEM	PART NO.	QTY.	DESCRIPTION
1	2501280	1	Control Grip Body
2	2501281	1	Control Grip Cover
3	2500644	1	Plug, Rectangular
4	2500694	2	Plug, 5/8" Hole
5	2800372	1	Pushbutton Switch, Raise
6	2800373	1	Pushbutton Switch, Lower
7	2900453	1	Set Screw, Soc. Hd., M5 x 12mm
8	2900452	1	Machine Screw, Oval Hd., #4 x 5/8"
9	2800393	1	Harness, Hydraulic Pump

## Fuel Tank Assembly #6012163



ITEM	PART NO.	QTY.	DESCRIPTION
1	2500648	1	Fuel Tank
2	6011083	2	Fuel Tank Mount Bar
3	2900019	4	Cap Screw, Hex Hd., 5/16-18 x 3/4"
4	2900031	8	Lock Washer, 5/16" Split
5	2900022	8	Flat Washer, 5/16" SAE
6	2900138	4	Cap Screw, Hex Hd., 5/16-18 x 1"
7	2501434	1	Hose Clamp, 1/2" x 3/4" Wide
8	2500649	1	Fuel Tank Cap
9	2500205	1	Fuel Tank Grommet
10	3200108	1	Fuel Shut-Off Valve, 1/4"
11	3200012	1	Street Elbow, 1/4" NPT
12	3200202	1	Fitting, 1/4" M. Pipe to 5/16" Push Lock
13	6010457	1	Fuel Line Hose, 5/6" ID x 18-1/2"
14	2501785	1	Filter, Diesel Fuel
15	6013095	1	Fuel Line Hose, 5/16" I.D. x 4"
16	3200062	4	Hose Clamp #4
17	3200057	1	Elbow, 1/4" M. Pipe to 1/4" M. JIC
18	3200091	1	Fitting, 1/4" F. JIC to 1/4" Push Lock
19	6010103	1	Fuel Return Hose, 1/4" I.D. x 32"

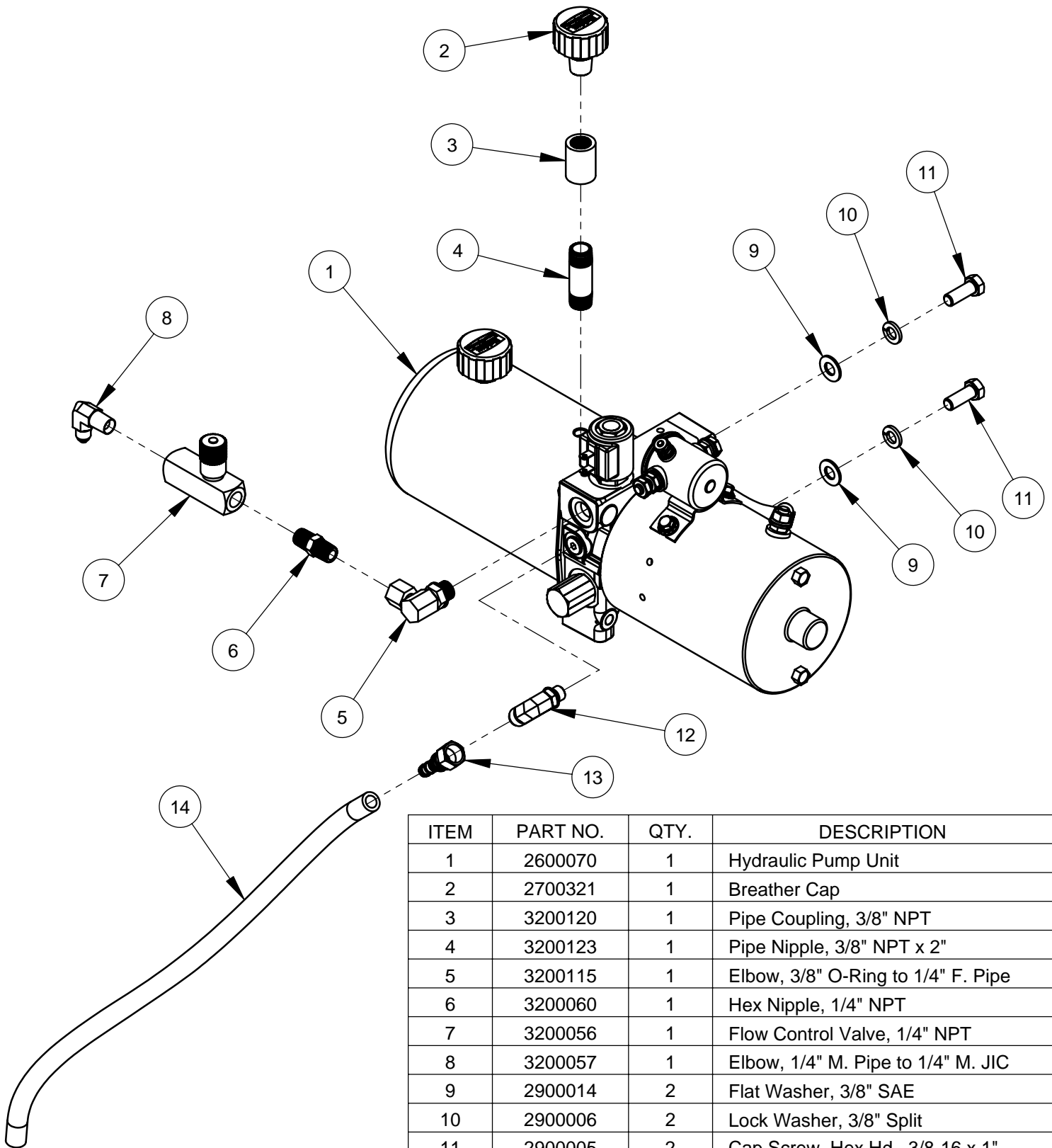
## Battery Assembly #6011418



ITEM	PART NO.	QTY.	DESCRIPTION
1	6010670	1	Battery Platform
2	6010554	1	Battery Support Brace
3	2900019	5	Cap Screw, Hex Hd., 5/16-18 x 3/4"
4	2900022	5	Flat Washer, 5/16" SAE
5	2900039	4	Lock Nut, 5/16-18 Nylon
6	2900031	1	Lock Washer, 5/16" Split
7	6010017	1	Battery Top Brace
8	6010018	2	Rod, 1/4-20 x 8-1/2"
9	2900010	4	Lock Nut, 1/4-20 Nylon
10	6010016	1	Battery Pad
11	2700208	1	Battery, 12 Volt Group Size 34
12	2800073	1	Battery Cable, Positive (Red)
13	2800072	1	Battery Cable, Negative (Black)
14	2800095	1	Battery Cable, 14" Positive (Red)
15	2800182	1	Battery Cable, 14" Negative (Black)
16	2800256	1	Battery Boot, Large (Red)
17	2800257	1	Battery Boot, Large (Black)
18	2800197	2	Battery Boot, Small (Red)
19	2800198	2	Battery Boot, Small (Black)
20	2900014	2	Flat Washer, 3/8" SAE
21	2900006	2	Lock Washer, 3/8" Split
22	2900196	2	Cap Screw, Hex Hd., 3/8-16 x 3/4"

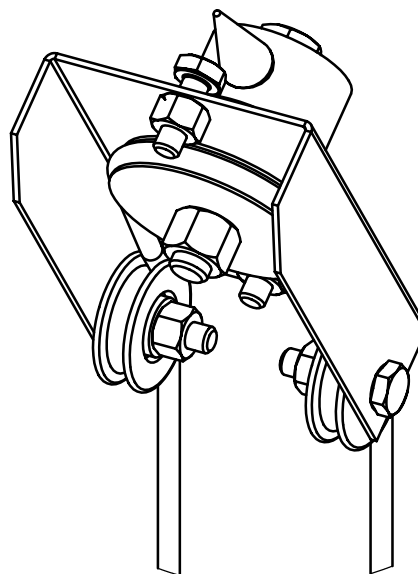
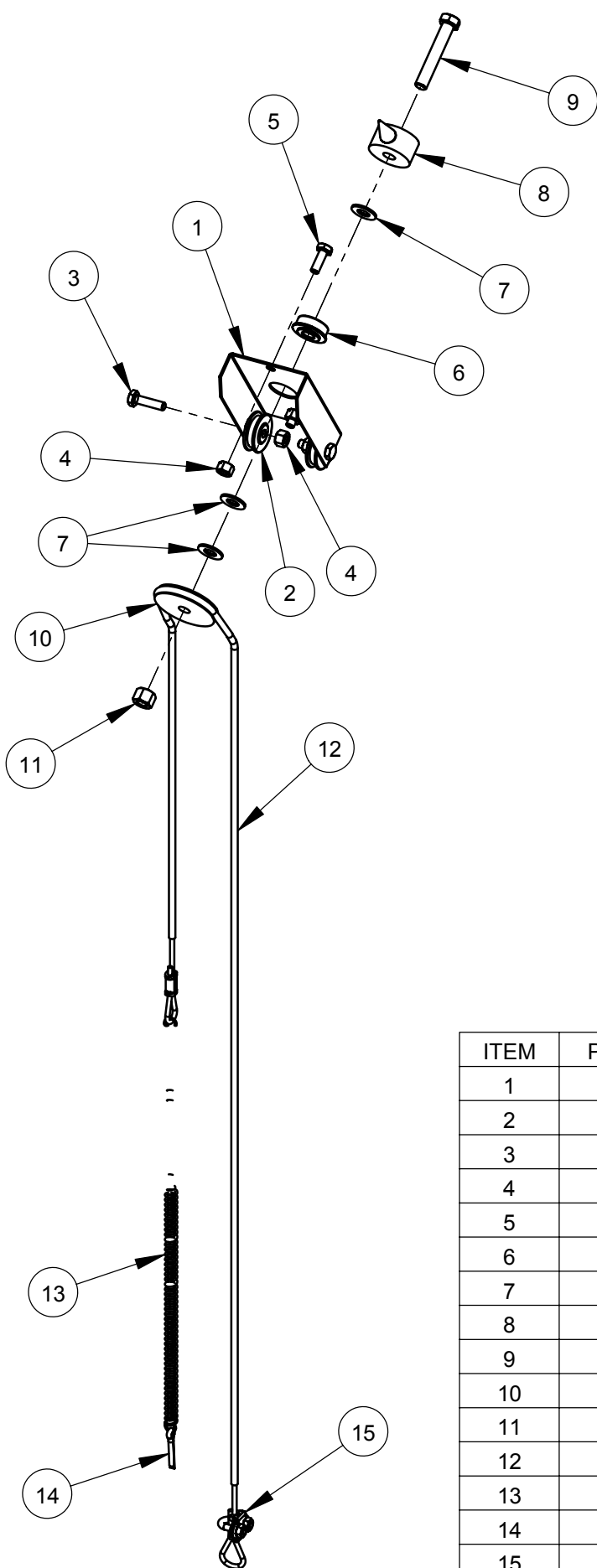


## Hydraulic Pump Assembly #6011077 (Includes Items #1 - #11)



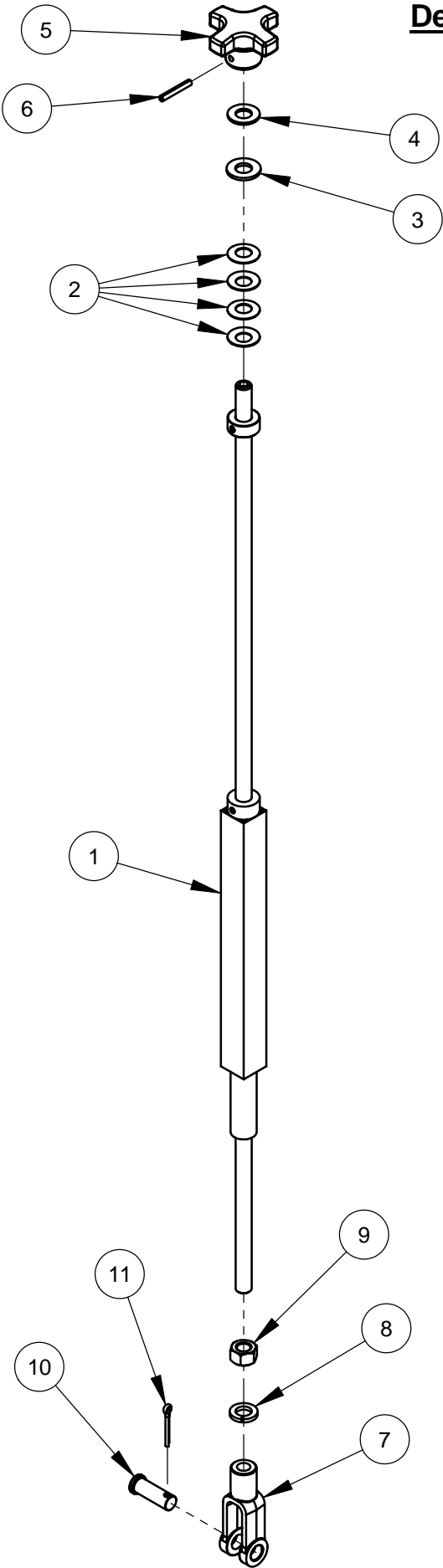
ITEM	PART NO.	QTY.	DESCRIPTION
1	2600070	1	Hydraulic Pump Unit
2	2700321	1	Breather Cap
3	3200120	1	Pipe Coupling, 3/8" NPT
4	3200123	1	Pipe Nipple, 3/8" NPT x 2"
5	3200115	1	Elbow, 3/8" O-Ring to 1/4" F. Pipe
6	3200060	1	Hex Nipple, 1/4" NPT
7	3200056	1	Flow Control Valve, 1/4" NPT
8	3200057	1	Elbow, 1/4" M. Pipe to 1/4" M. JIC
9	2900014	2	Flat Washer, 3/8" SAE
10	2900006	2	Lock Washer, 3/8" Split
11	2900005	2	Cap Screw, Hex Hd., 3/8-16 x 1"
12	3200116	1	Elbow, 1/4" O-Ring to 3/8" M. JIC
13	3200046	1	Fitting, 3/8" F. JIC to 3/8" Push Lock
14	6010059	1	Clear Hose, 3/8" I.D. x 19"

## Depth Indicator Assembly #6010214



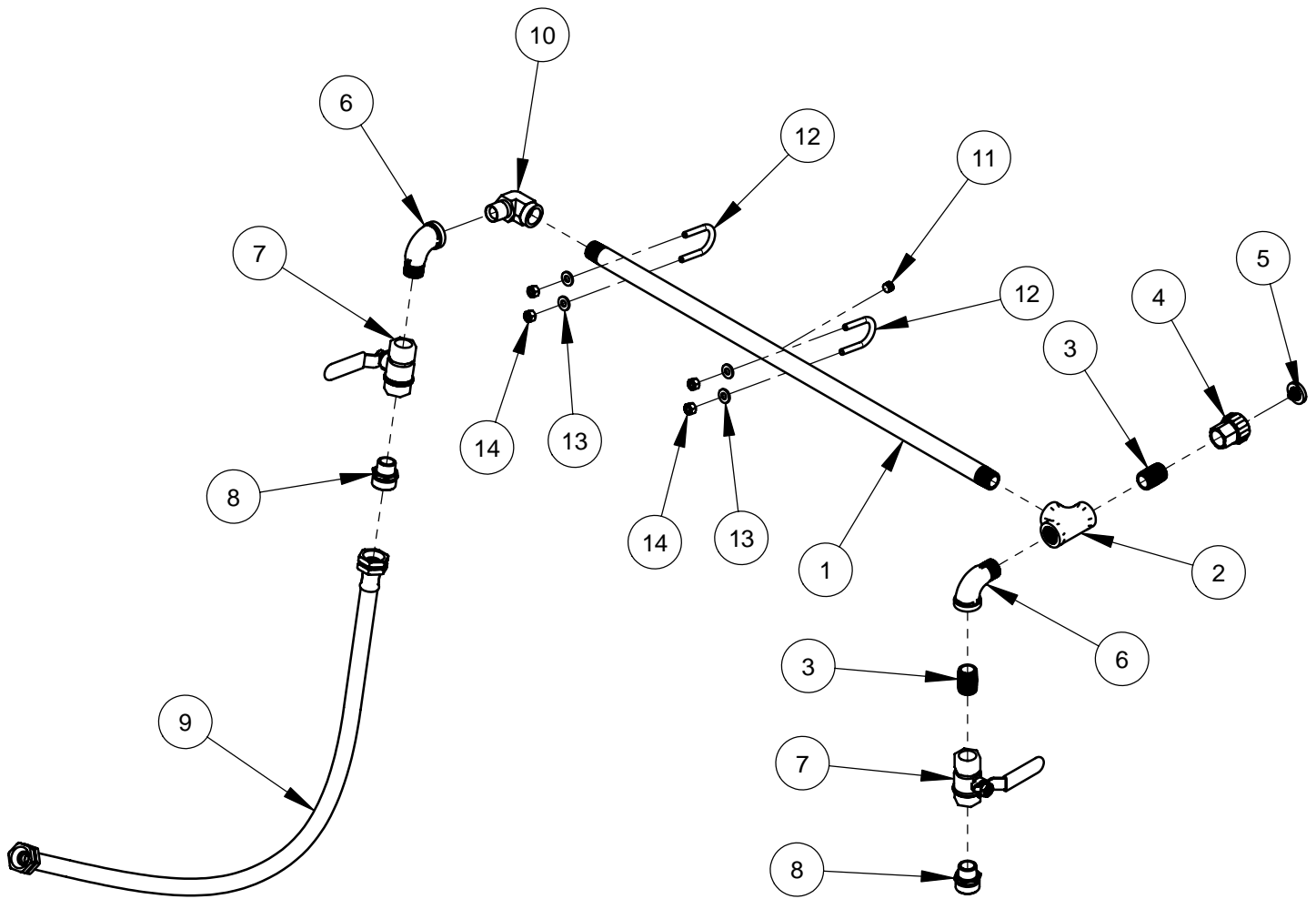
ITEM	PART NO.	QTY.	DESCRIPTION
1	6010092	1	Depth Indicator Mount Bracket
2	2500155	2	Cable Pulley, 1-1/4"
3	2900008	2	Cap Screw, Hex Hd., 1/4-20 x 1"
4	2900010	4	Lock Nut, 1/4-20 Nylon
5	2900144	2	Cap Screw, Hex Hd., 1/4-20 x 3/4"
6	2500145	1	Flange Bearing, 3/8"
7	2900014	3	Flat Washer, 3/8" SAE
8	6010091	1	Depth Indicator Pointer
9	2900079	1	Cap Screw, Hex Hd., 3/8-16 x 2-1/4"
10	6010093	1	Cable Pulley, 2"
11	2900018	1	Lock Nut, 3/8-16 Nylon
12	6010094	1	Depth Indicator Cable with Crimp, 48"
13	2500196	1	Spring, 3/8" x 15"
14	2900055	1	Cotter Pin, 3/16" x 1"
15	2500214	1	Cable Clamp

**Depth Stop Assembly #6010215**



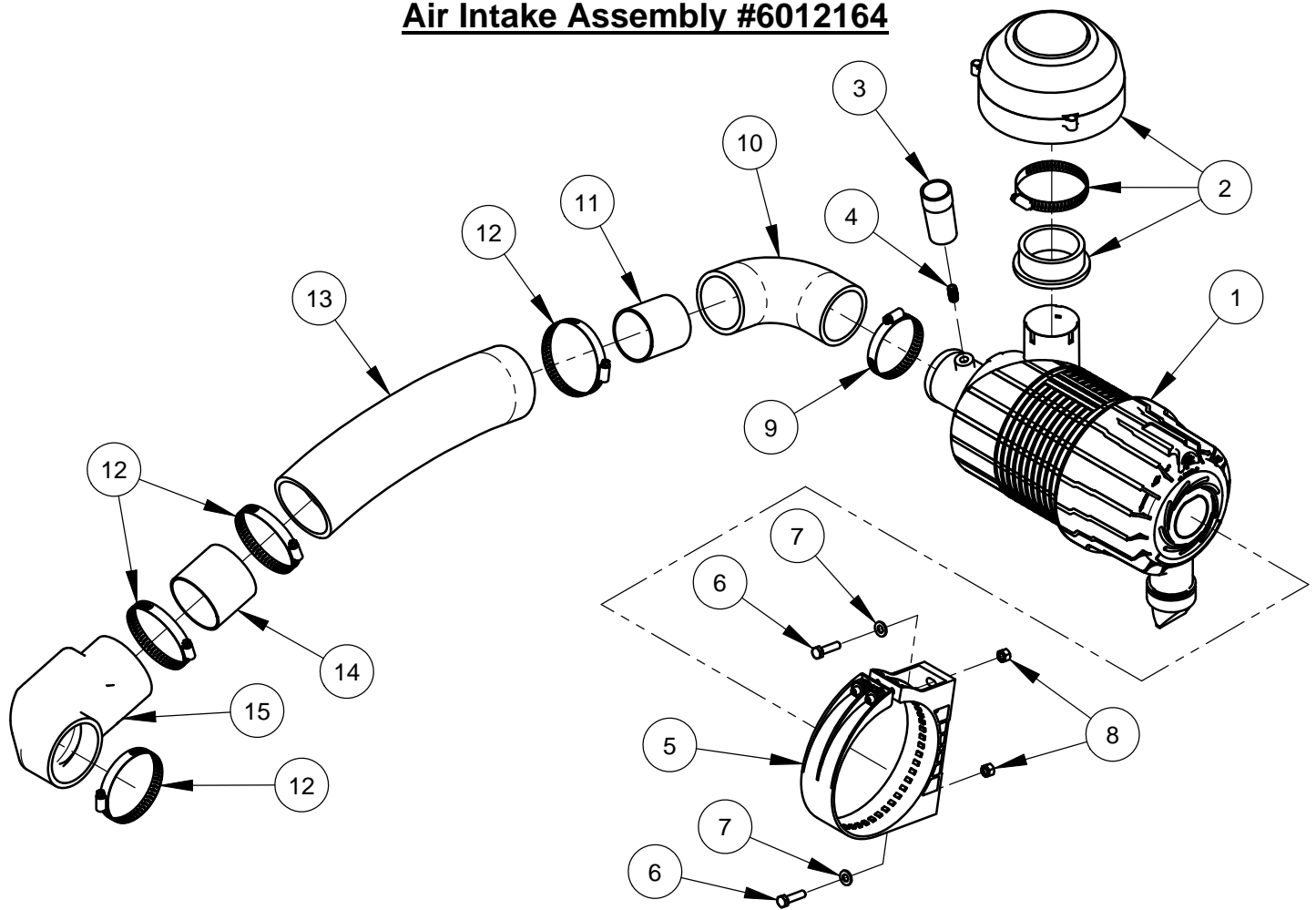
ITEM	PART NO.	QTY.	DESCRIPTION
1	6010097	1	Depth Stop Weldment
2	2900665	4	Belleville Washer, 1/2"
3	2900058	1	Flat Washer, 1/2" SAE
4	2900239	1	Friction Washer, 1/2"
5	6010095	1	Depth Stop Knob
6	2900132	1	Roll Pin, 3/16" x 1-1/4"
7	2900158	1	Yoke, 1/2-13
8	2900084	1	Lock Washer, 1/2" Split
9	2900037	1	Hex Nut, 1/2-13
10	2900007	1	Clevis Pin, 1/2" Dia. x 1-3/8"
11	2900004	1	Cotter Pin, 1/8" x 1"

## Water Supply Assembly #6012127



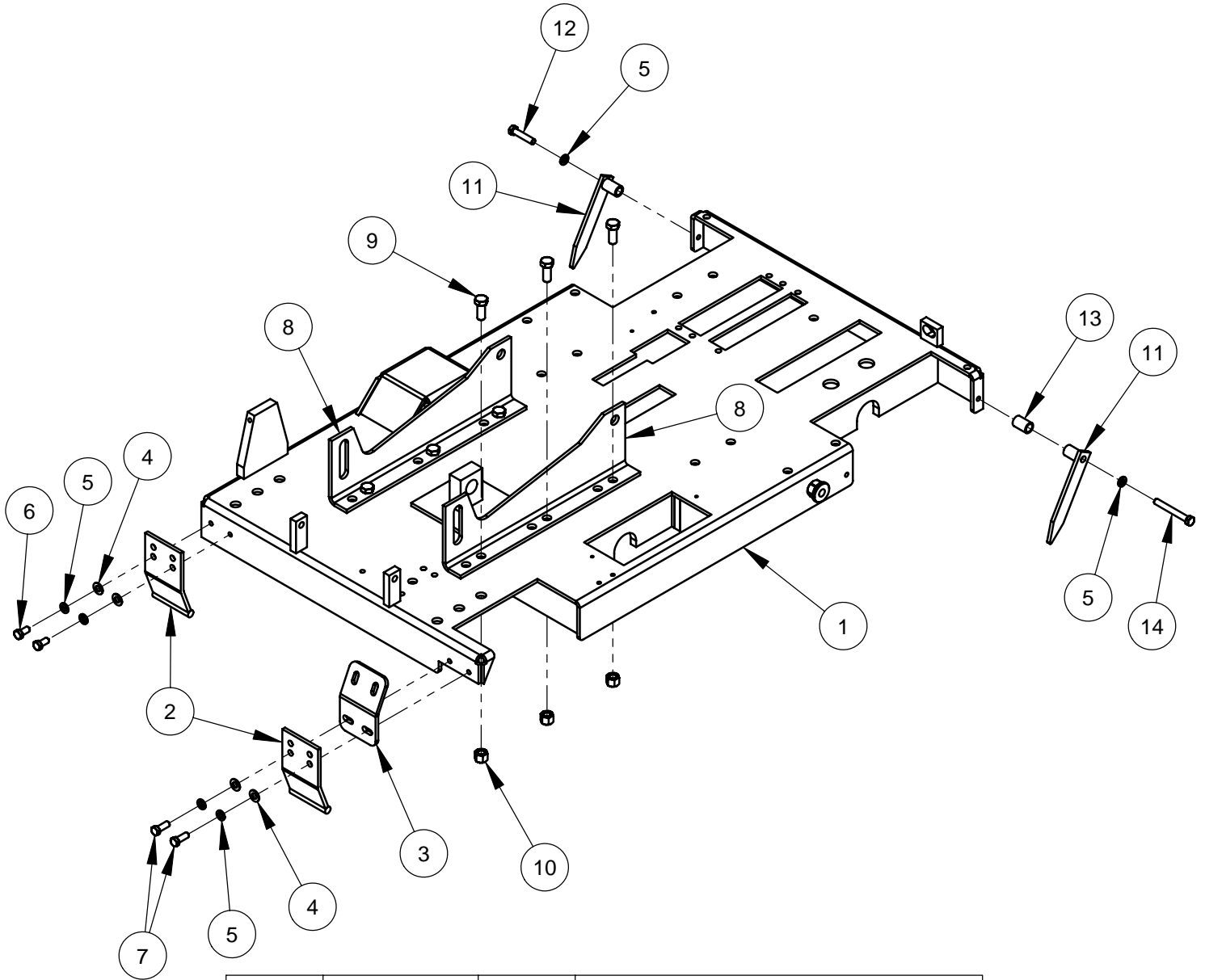
ITEM	PART NO.	QTY.	DESCRIPTION
1	6090068	1	Water Supply Tube
2	3200045	1	Pipe Tee, 1/2" NPT
3	3200008	2	Close Nipple, 1/2" NPT
4	3200022	1	Fitting, 1/2" F. Pipe to 3/4" F. Garden
5	3200025	1	Hose Filter Washer
6	3200013	2	Street Elbow, 1/2" NPT
7	3200027	2	Water Valve
8	3200155	2	Fitting, 1/2" M. Pipe to 3/4" M. Garden
9	6010021	1	Water Hose Assembly, 42" Long
10	3200173	1	Street Elbow, 1/2" NPT Steel
11	3200001	1	Plug, 1/8" NPT
12	2900241	2	U-Bolt, 1/2" Pipe
13	2900009	4	Flat Washer, 1/4" SAE
14	2900010	4	Lock Nut, 1/4-20 Nylon

## Air Intake Assembly #6012164



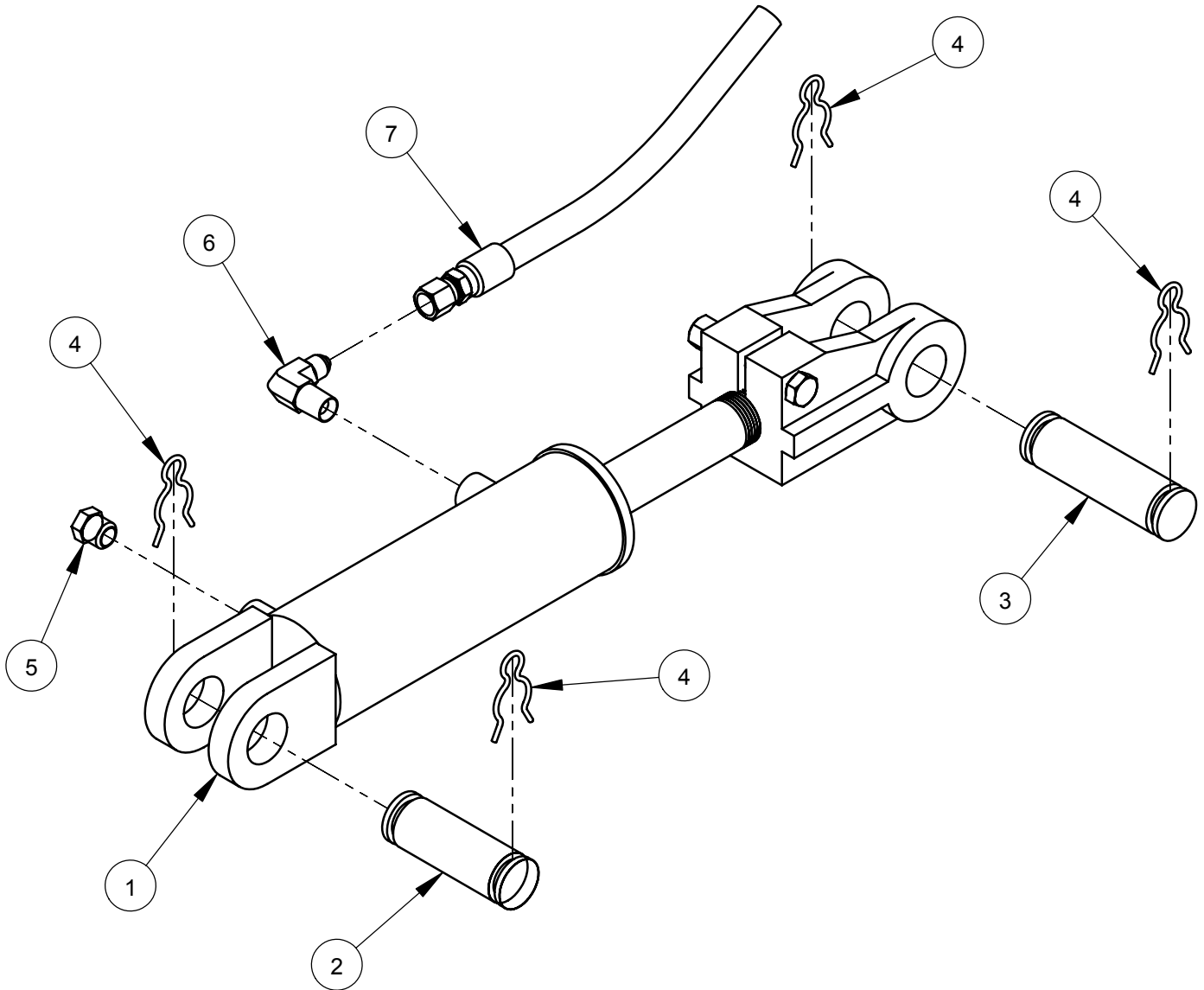
ITEM	PART NO.	QTY.	DESCRIPTION
1	2501328	1	Air Cleaner Complete
	2501288	1	Outer Primary Filter
	2501289	1	Inner Safety Filter
	2501185	1	Rubber Dust Ejector Boot
2	2501389	1	Pre-Cleaner with Clamp & Adapter Ring
	3200197	1	Hose Clamp #52
	2501996	1	Pre-Cleaner Adapter Ring
3	2500423	1	Restriction Indicator
4	3200117	1	Close Nipple, 1/8" NPT
5	2501329	1	Mounting Band, Polymer
6	2900217	2	Cap Screw, Hex Hd., 5/16-18 x 1-1/4"
7	2900022	2	Flat Washer, 5/16" SAE
8	2900039	2	Lock Nut, 5/16-18 Nylon
9	3200096	1	Hose Clamp #40
10	2500232	1	Hose Elbow, 2-1/2" I.D.
11	6010052	1	Connector Tube, 2-1/2" O.D.
12	3200197	4	Hose Clamp #52
13	6010692	1	Air Cleaner Hose, 3" I.D. x 18"
14	6010559	1	Connector Tube, 3" O.D.
15	2501660	1	Hose Elbow, 3" I.D. Cobra

## Frame Base Assembly #6012160



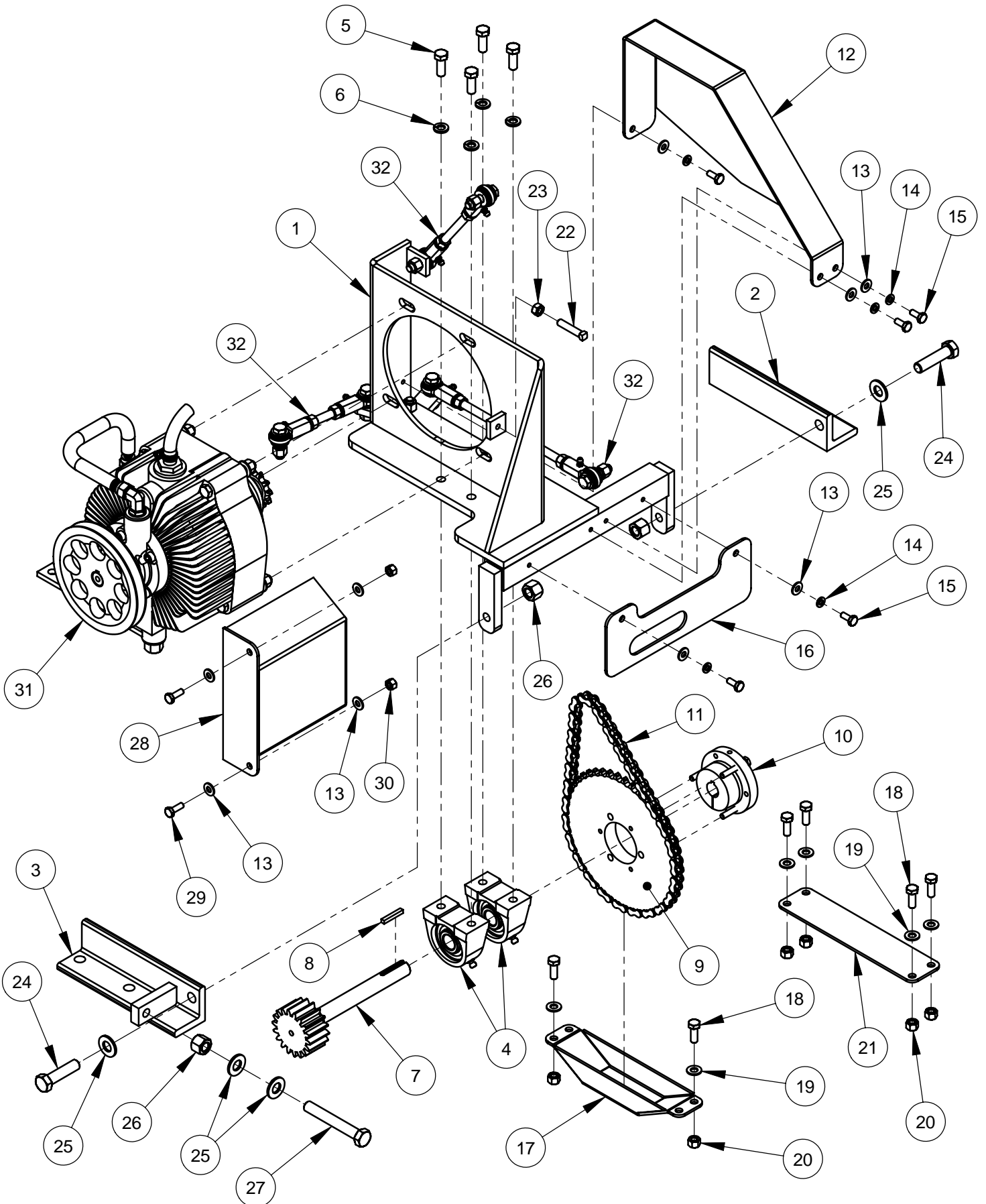
ITEM	PART NO.	QTY.	DESCRIPTION
1	6012084A	1	Frame Base
2	6011021	2	Skid Plate
3	6012090	1	Guard Attachment Plate (25 degree)
4	2900014	4	Flat Washer, 3/8" SAE
5	2900006	6	Lock Washer, 3/8" Split
6	2900196	2	Cap Screw, Hex Hd., 3/8-16 x 3/4"
7	2900005	2	Cap Screw, Hex Hd., 3/8-16 x 1"
8	6012038	2	Engine Mount
9	2900025	6	Cap Screw, Hex Hd., 1/2-13 x 1-1/4"
10	2900026	6	Lock Nut, 1/2-13 Nylon
11	6010022	2	Rear Pointer
12	2900047	1	Cap Screw, Hex Hd., 3/8-16 x 1-3/4"
13	6048127	1	Spacer Tube, 1-1/8" Long
14	2900035	1	Cap Screw, Hex Hd., 3/8-16 x 3"

## Hydraulic Cylinder Assembly #6010714



ITEM	PART NO.	QTY.	DESCRIPTION
1	2500177	1	Hydraulic Cylinder
2	6010031	1	Cylinder Pin, 3"
3	6010119	1	Cylinder Pin, 3-1/2"
4	2900064	4	Hair Pin Cotter, 3/4"
5	3200067	1	Cylinder Breather, 1/4" NPT
6	3200057	1	Elbow, 1/4" M. Pipe to 1/4" M. JIC
7	3200054	1	Hose Assembly, 32" Long

# Rear Drive Assembly #6012166 (Eaton)





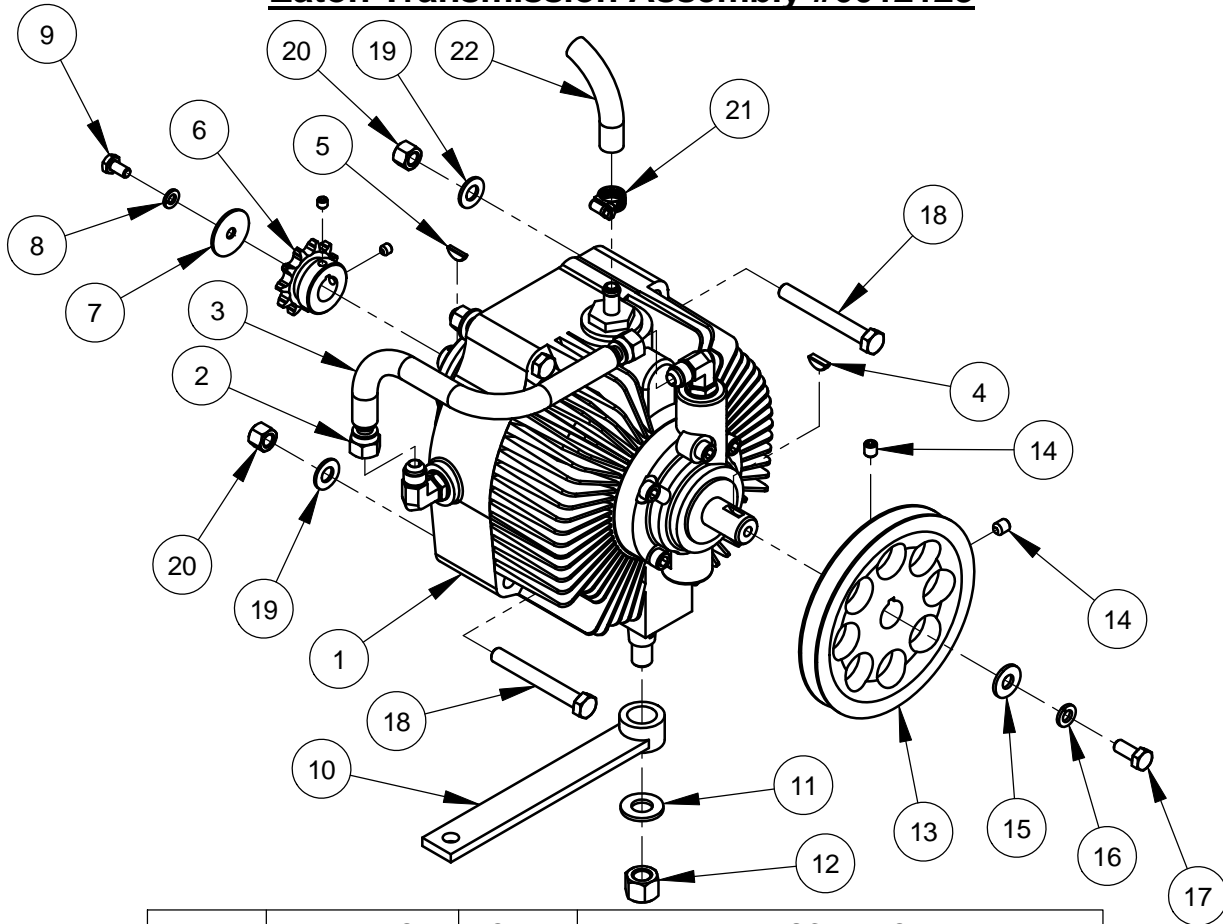
## Rear Drive Assembly #6012166 (Eaton)

ITEM	PART NO.	QTY.	DESCRIPTION
1	6010068	1	Transmission Platform Weldment
2	6010027	1	Mount Foot, Right Hand
3	6010028	1	Mount Foot, Adjustable
4	2500159	2	Pillow Block Bearing, 3/4"
5	2900005	4	Cap Screw, Hex Hd., 3/8-16 x 1"
6	2900006	4	Lock Washer, 3/8" Split
7	6010664	1	Transmission Jackshaft 18T
8	6048229	1	Key, 3/16" Sq. x 1-1/4"
9	2500148	1	Sprocket, #40 x 45 Tooth
10	2500149	1	QD Bushing, SDS x 3/4" w/Fasteners
11	6010069	1	Chain, #40 x 56 Pitch
12	6010671	1	Chain Guard
13	2900009	9	Flat Washer, 1/4" SAE
14	2900024	5	Lock Washer, 1/4" Split
15	2900023	5	Cap Screw, Hex Hd., 1/4-20 x 5/8"
16	6010679	1	Gear Guard
17	6010674	1	Sprocket Guard
18	2900668	6	Cap Screw, Hex Hd., 5/16-18 x 7/8"
19	2900022	6	Flat Washer, 5/16" SAE
20	2900039	6	Lock Nut, 5/16-18 Nylon
21	6010678	1	Cover Plate (Wide)
22	2900140	1	Set Screw, Sq. Hd., 5/16-18 x 1-1/2"
23	2900141	1	Hex Nut, 5/16-18
24	2900106	2	Cap Screw, Hex Hd., 1/2-13 x 2"
25	2900058	4	Flat Washer, 1/2" SAE
26	2900026	3	Lock Nut, 1/2-13 Nylon
27	2900542	1	Tap Bolt, Hex Hd., 1/2-13 x 3-1/2"
28	6010673	1	Fan Guard
29	2900144	2	Cap Screw, Hex Hd., 1/4-20 x 3/4"
30	2900010	2	Lock Nut, 1/4-20 Nylon
31	6012123	1	Eaton Transmission Assembly
32	6012124	1	Linkage Assembly

**For saws prior to  
January 2008:  
Use #6013101**



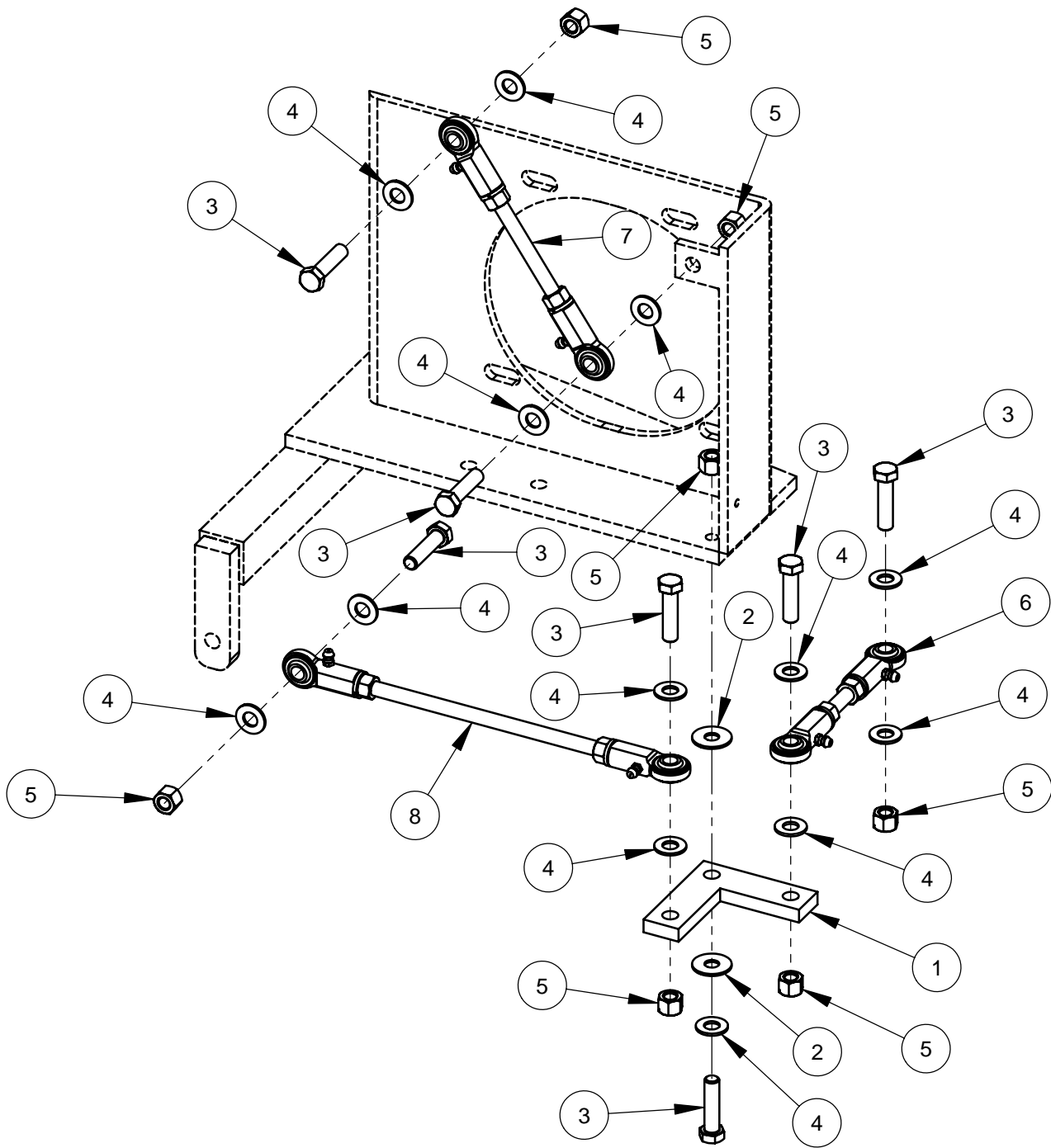
## Eaton Transmission Assembly #6012123



ITEM	PART NO.	QTY.	DESCRIPTION
1	2600068	1	Eaton Hydrostatic Transmission
2	3200046	2	Fitting, 3/8" F. JIC to 3/8" Push Lock
3	6010060	1	Oil Recirculation Hose, 3/8" I.D. x 9"
4	2900143	1	Woodruff Key #61, 3/16" x 5/8"
5	2900063	1	Woodruff Key #405, 1/8" x 5/8"
6	2500150	1	Sprocket, #40 x 11 Tooth w/Setscrews
7	2900083	1	Fender Washer, 1/4" x 1-1/4"
8	2900024	1	Lock Washer, 1/4" Split
9	2900082	1	Cap Screw, Hex Hd., 1/4-20 x 1/2"
10	6010064	1	Shift Lever
11	2900058	1	Flat Washer, 1/2" SAE
12	2900026	1	Lock Nut, 1/2-13 Nylon
13	6010682	1	Transmission Pulley 5.5"
14	2900142	2	Set Screw, Soc. Hd., 5/16-18 x 3/8"
15	2900567	1	Flat Washer, 5/16" USS
16	2900031	1	Lock Washer, 5/16" Split
17	2900019	1	Cap Screw, Hex Hd., 5/16-18 x 3/4"
18	2900035	4	Cap Screw, Hex Hd., 3/8-16 x 3"
19	2900014	4	Flat Washer, 3/8" SAE
20	2900018	4	Lock Nut, 3/8-16 Nylon
21	3200062	1	Hose Clamp #4
22	6010059	1	Clear Hose, 3/8" I.D. x 19"

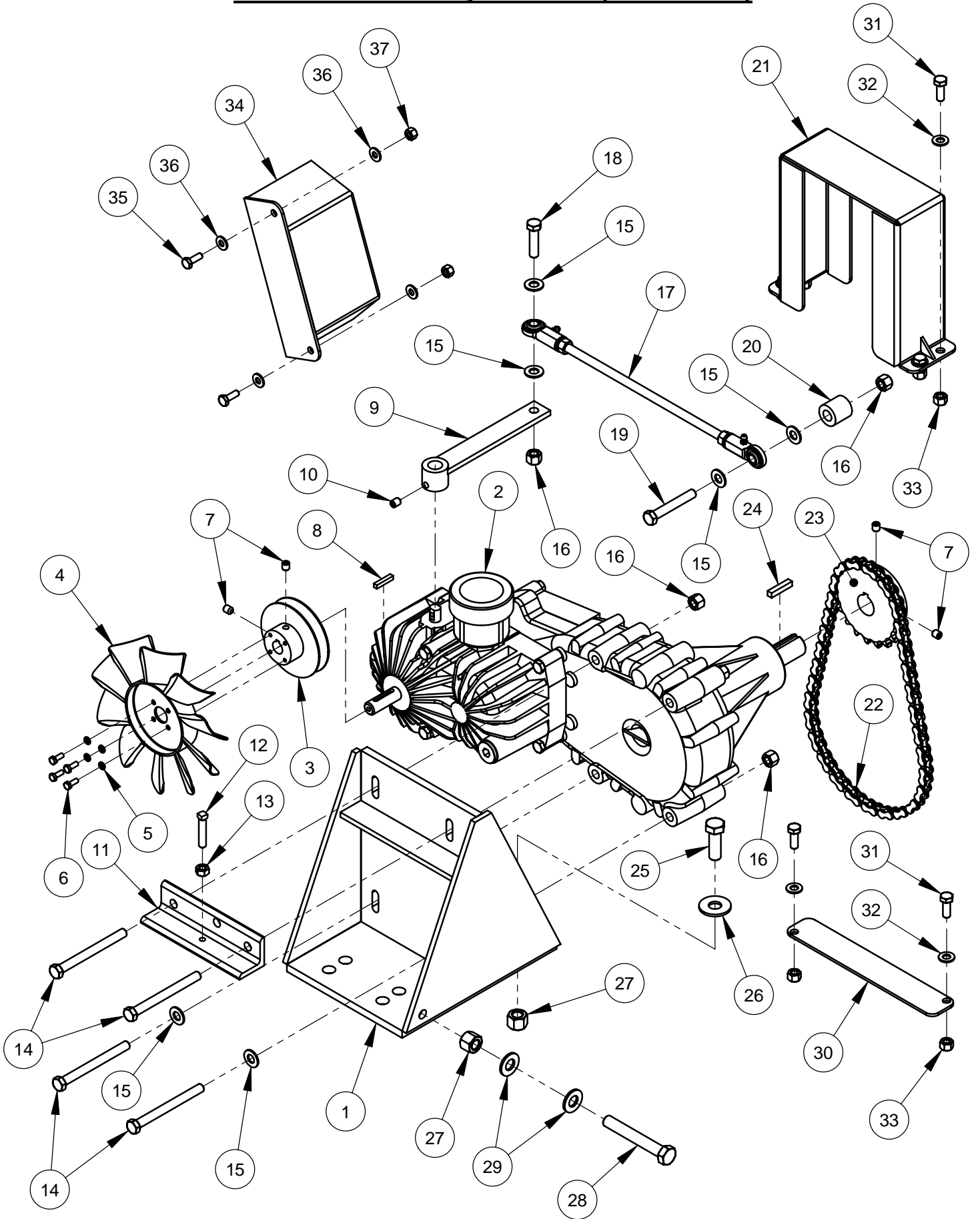
**For saws prior to  
January 2008:  
Use #6010061**

## Linkage Assembly #6012124



ITEM	PART NO.	QTY.	DESCRIPTION
1	6012058	1	Bell Crank
2	2900153	2	Friction Washer, 3/8"
3	2900029	7	Cap Screw, Hex Hd., 3/8-16 x 1-1/2"
4	2900014	13	Flat Washer, 3/8" SAE
5	2900018	7	Lock Nut, 3/8-16 Nylon
6	6010704	1	Linkage Assembly 5-1/8"
7	6012094	1	Linkage Assembly 6-3/4"
8	6012095	1	Linkage Assembly 10-1/2"

# Rear Drive Assembly #6012167 (Sundstrand)

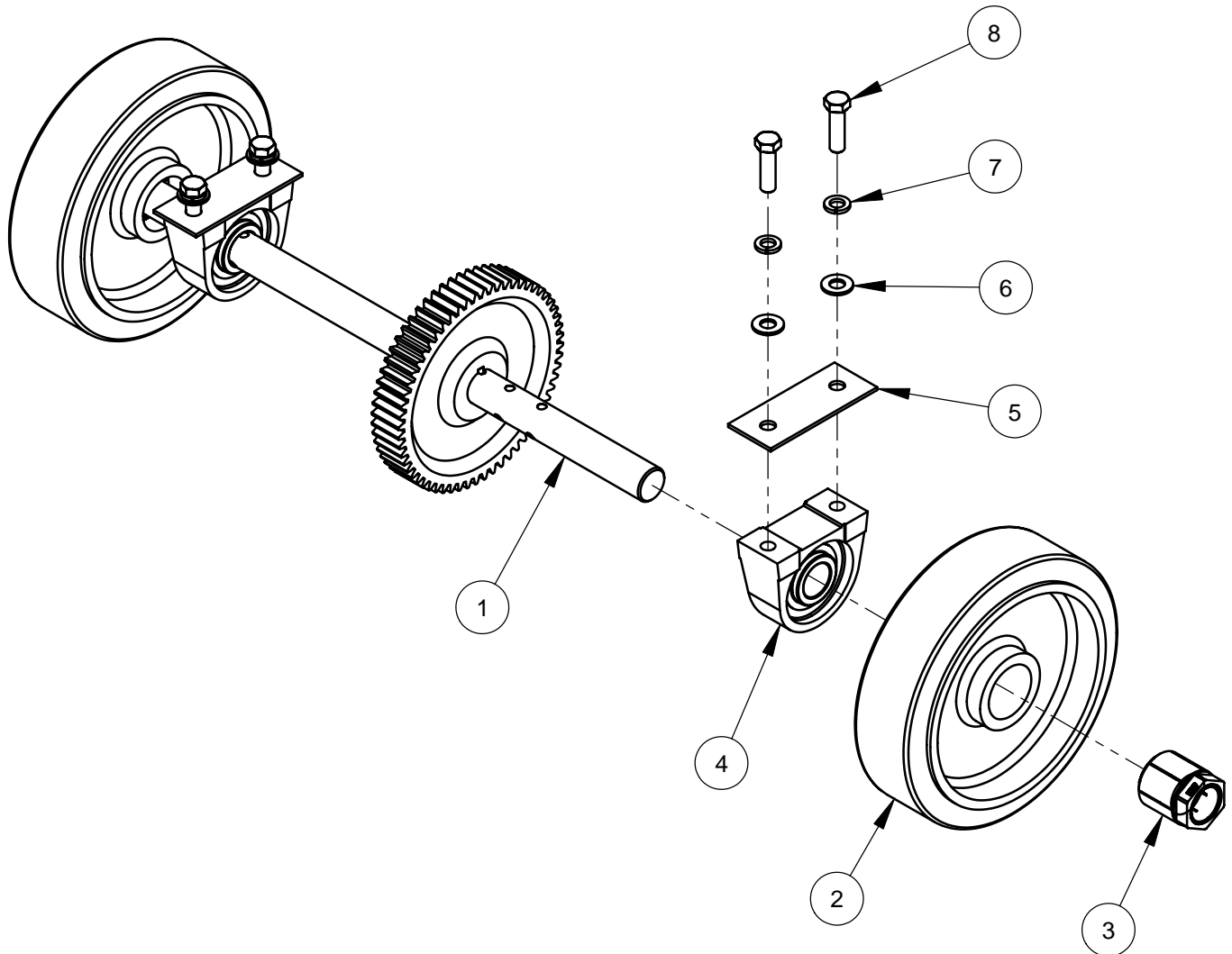


## Rear Drive Assembly #6012167 (Sundstrand)

ITEM	PART NO.	QTY.	DESCRIPTION
1	6010118	1	Transmission Platform
2	2600021	1	Hydrostatic Transaxle Assembly
3	6011037	1	Transmission Pulley 3.5"
4	2500519	1	Cooling Fan, 7"
5	2900038	4	Lock Washer, #10 Split
6	2900448	4	Machine Screw, Hex Hd., #10-32 x 1/2"
7	2900142	4	Set Screw, Soc. Hd., 5/16-18 x 3/8"
8	6010170	1	Key, 3/16" Sq. x 1"
9	6010129	1	Shift Lever
10	2900429	1	Set Screw, Soc. Hd., 5/16-24 x 1/2"
11	6010120	1	Chain Tensioning Bracket
12	2900140	1	Set Screw, Sq. Hd., 5/16-18 x 1-1/2"
13	2900141	1	Hex Nut, 5/16-18
14	2900160	4	Cap Screw, Hex Hd., 3/8-16 x 4"
15	2900014	6	Flat Washer, 3/8" SAE
16	2900018	6	Lock Nut, 3/8-16 Nylon
17	6011302	1	Linkage Assembly 13-1/2"
18	2900029	1	Cap Screw, Hex Hd., 3/8-16 x 1-1/2"
19	2900596	1	Cap Screw, Hex Hd., 3/8-16 x 2-1/2"
20	6030126	1	Spacer, 1"
21	6010672A	1	Chain Guard
22	6010130	1	Chain, #50 x 50 pitch
23	6010127	1	Transmission Sprocket, #50 x 19 Tooth
24	6010169	1	Key, 1/4" Sq. x 1-1/4"
25	2900499	1	Cap Screw, Hex Hd., 1/2-13 x 1-1/2"
26	2900127	1	Flat Washer, 1/2" USS
27	2900026	2	Lock Nut, 1/2-13 Nylon
28	2900542	1	Tap Bolt, Hex Hd., 1/2-13 x 3-1/2"
29	2900058	2	Flat Washer, 1/2" SAE
30	6010677	1	Cover Plate (Narrow)
31	2900668	6	Cap Screw, Hex Hd., 5/16-18 x 7/8"
32	2900022	6	Flat Washer, 5/16" SAE
33	2900039	6	Lock Nut, 5/16-18 Nylon
34	6012136	1	Fan Guard
35	2900144	2	Cap Screw, Hex Hd., 1/4-20 x 3/4"
36	2900009	4	Flat Washer, 1/4" SAE
37	2900010	2	Lock Nut, 1/4-20 Nylon

## Rear Axle Assembly #6012117\* (Eaton / Gear)

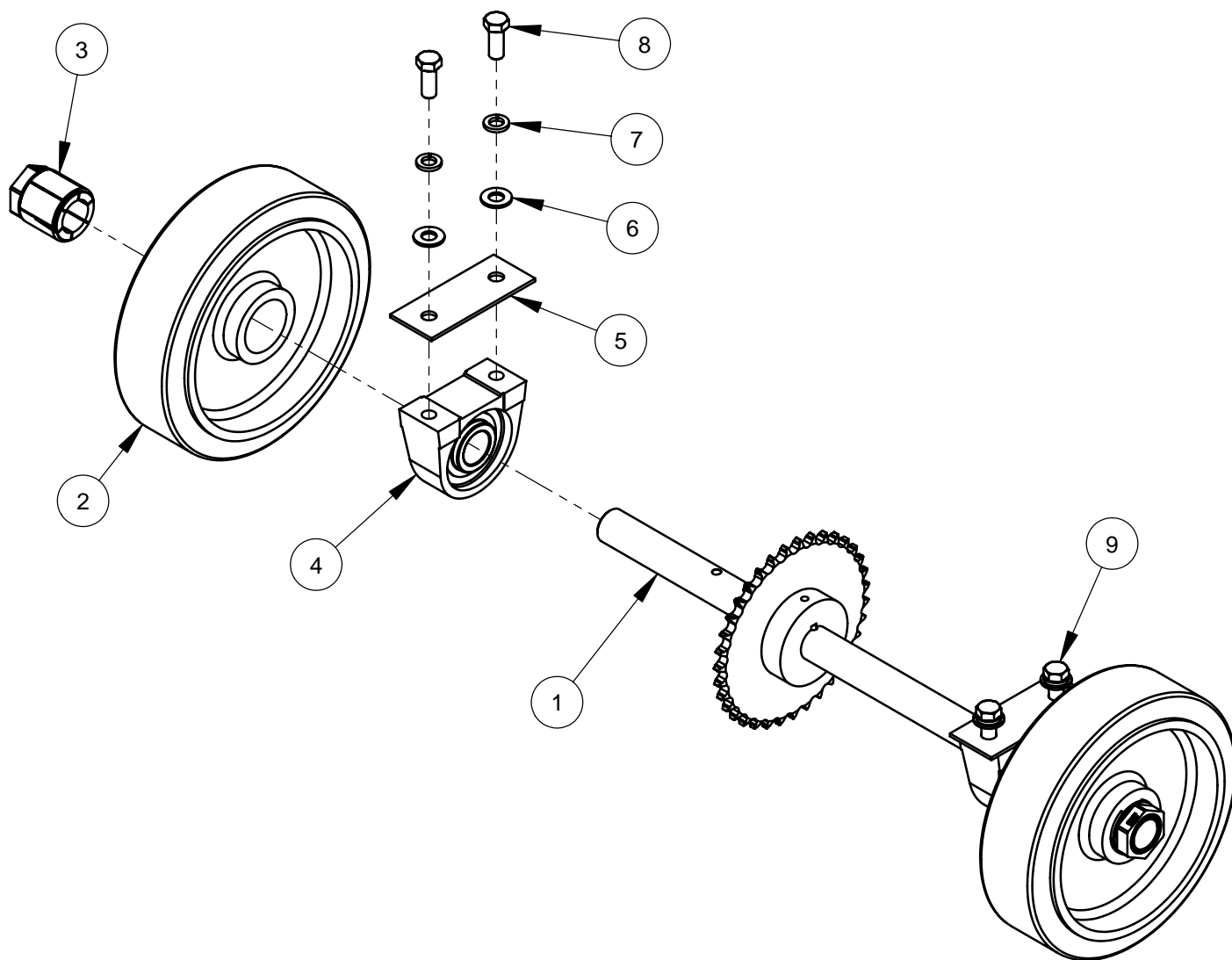
\*Use #6012063 for saws prior to January 2008



ITEM	PART NO.	QTY.	DESCRIPTION
1	6012118	1	Rear Axle Weldment w/60 Tooth Gear
2	2500873	2	Wheel, 10" Rear with 2" Bore
3	2500874	2	Trantorque Bushing, 1-1/4"
4	2500158	2	Pillow Block Bearing 1-1/4"
5	6010024	2	Rear Axle Bearing Spacer, 1/8"
6	2900058	4	Flat Washer, 1/2" SAE
7	2900084	4	Lock Washer, 1/2" Split
8	2900139	4	Cap Screw, Hex Hd., 1/2-13 x 1-3/4"

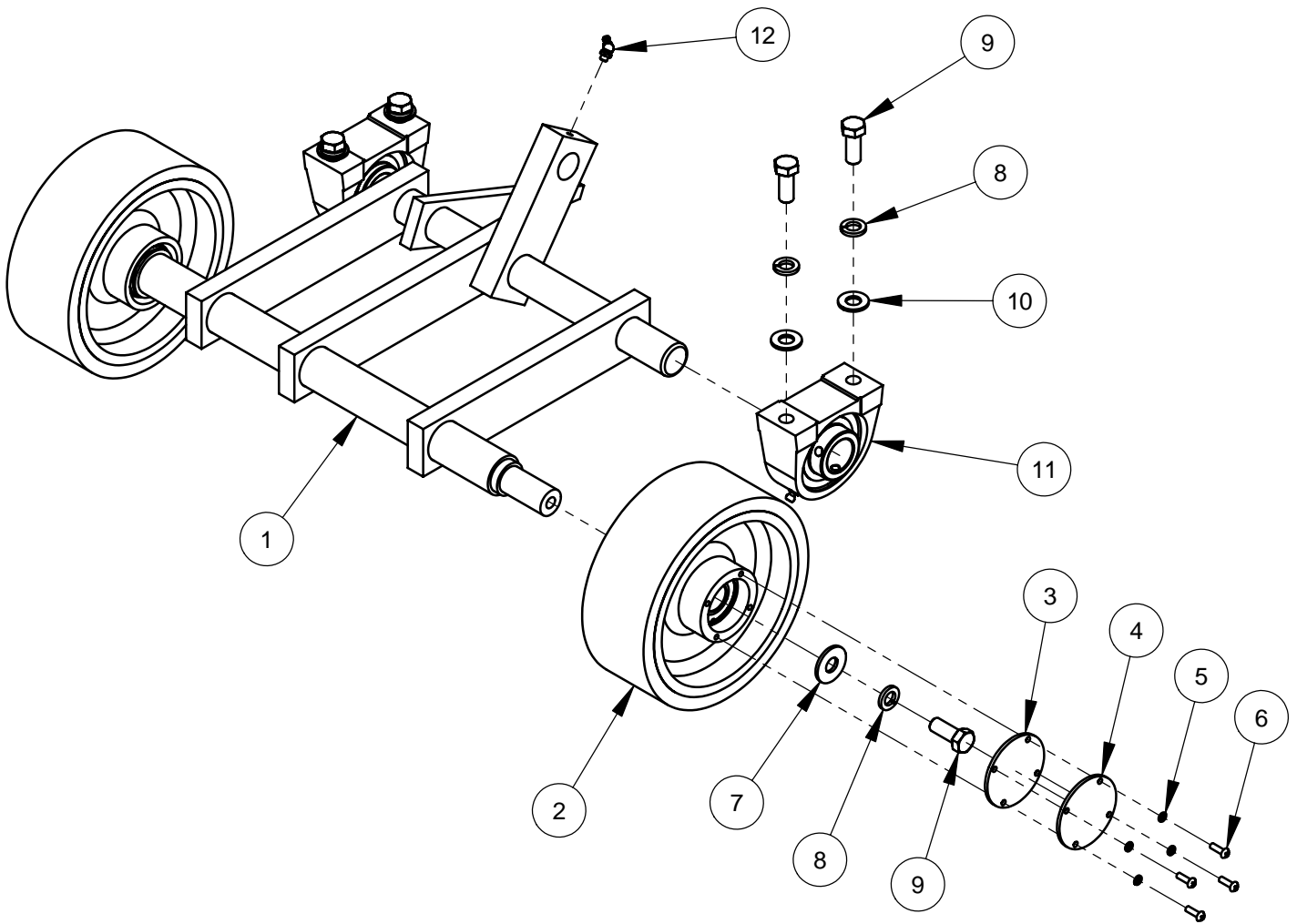
**For saws prior to  
January 2008:  
Use #6012064**

## Rear Axle Assembly #6012050 (Sundstrand / Chain)



ITEM	PART NO.	QTY.	DESCRIPTION
1	6012051	1	Rear Axle Weldment w/35 Tooth Sprocket
2	2500873	2	Wheel, 10" Rear with 2" Bore
3	2500874	2	Trantorque Bushing, 1-1/4"
4	2500158	2	Pillow Block Bearing 1-1/4"
5	6010024	2	Rear Axle Bearing Spacer, 1/8"
6	2900058	4	Flat Washer, 1/2" SAE
7	2900084	4	Lock Washer, 1/2" Split
8	2900025	2	Cap Screw, Hex Hd., 1/2-13 x 1-1/4"
9	2900139	2	Cap Screw, Hex Hd., 1/2-13 x 1-3/4"

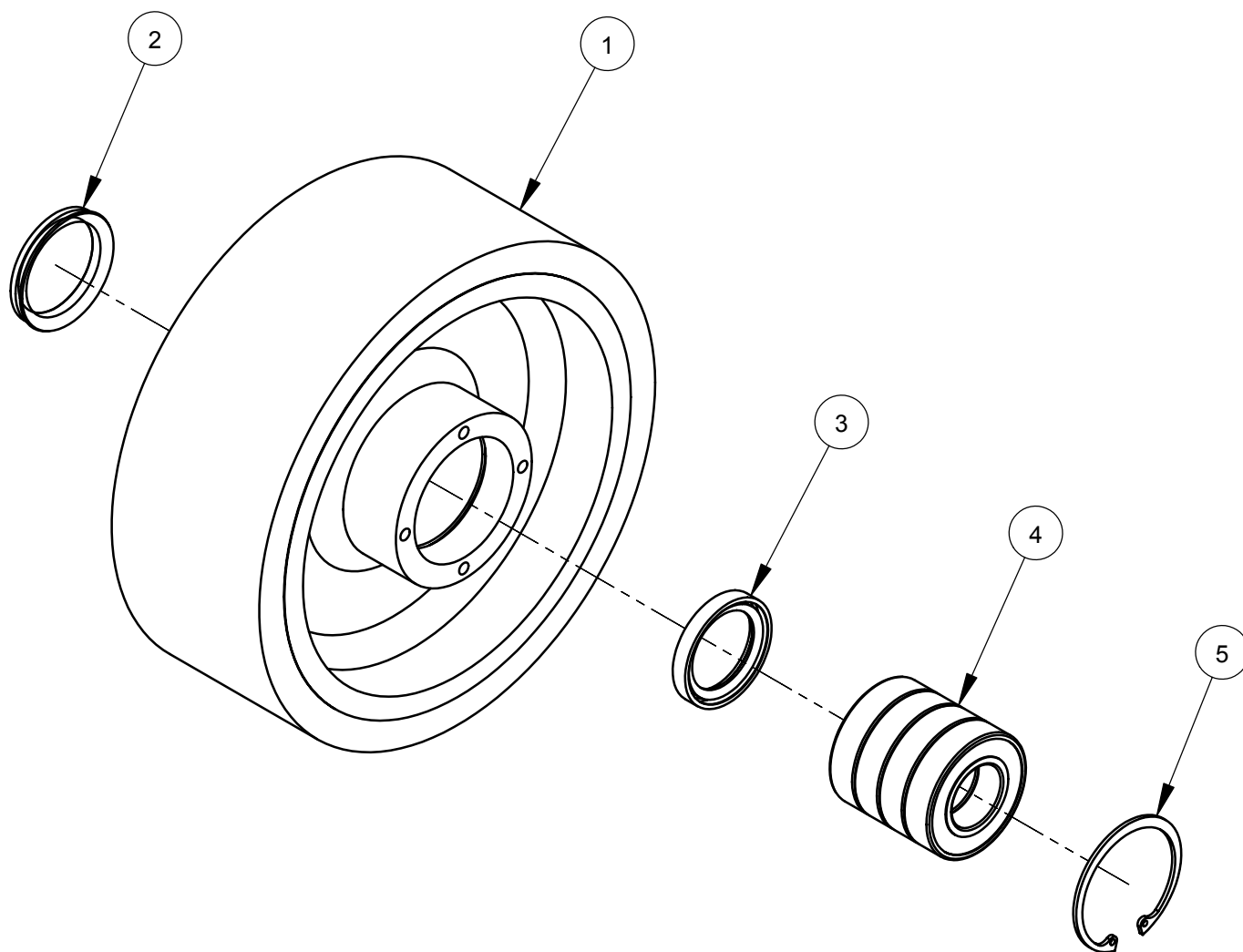
## Front Axle Assembly #6012091



ITEM	PART NO.	QTY.	DESCRIPTION
1	6012092	1	Front Axle Weldment
2	6010581	2	Wheel Assembly, 8" Front
3	2501393	2	Wheel Cover Gasket
4	6010536	2	Wheel Cover
5	2900038	8	Lock Washer, #10 Split
6	2900159	8	Machine Screw, Rd. Hd., #10-24 x 5/8"
7	2900127	2	Flat Washer, 1/2" USS
8	2900084	6	Lock Washer, 1/2" Split
9	2900025	6	Cap Screw, Hex Hd., 1/2-13 x 1-1/4"
10	2900058	4	Flat Washer, 1/2" SAE
11	2500158	2	Pillow Block Bearing 1-1/4"
12	2900184	1	Grease Fitting, 1/8" NPT x 45 degree

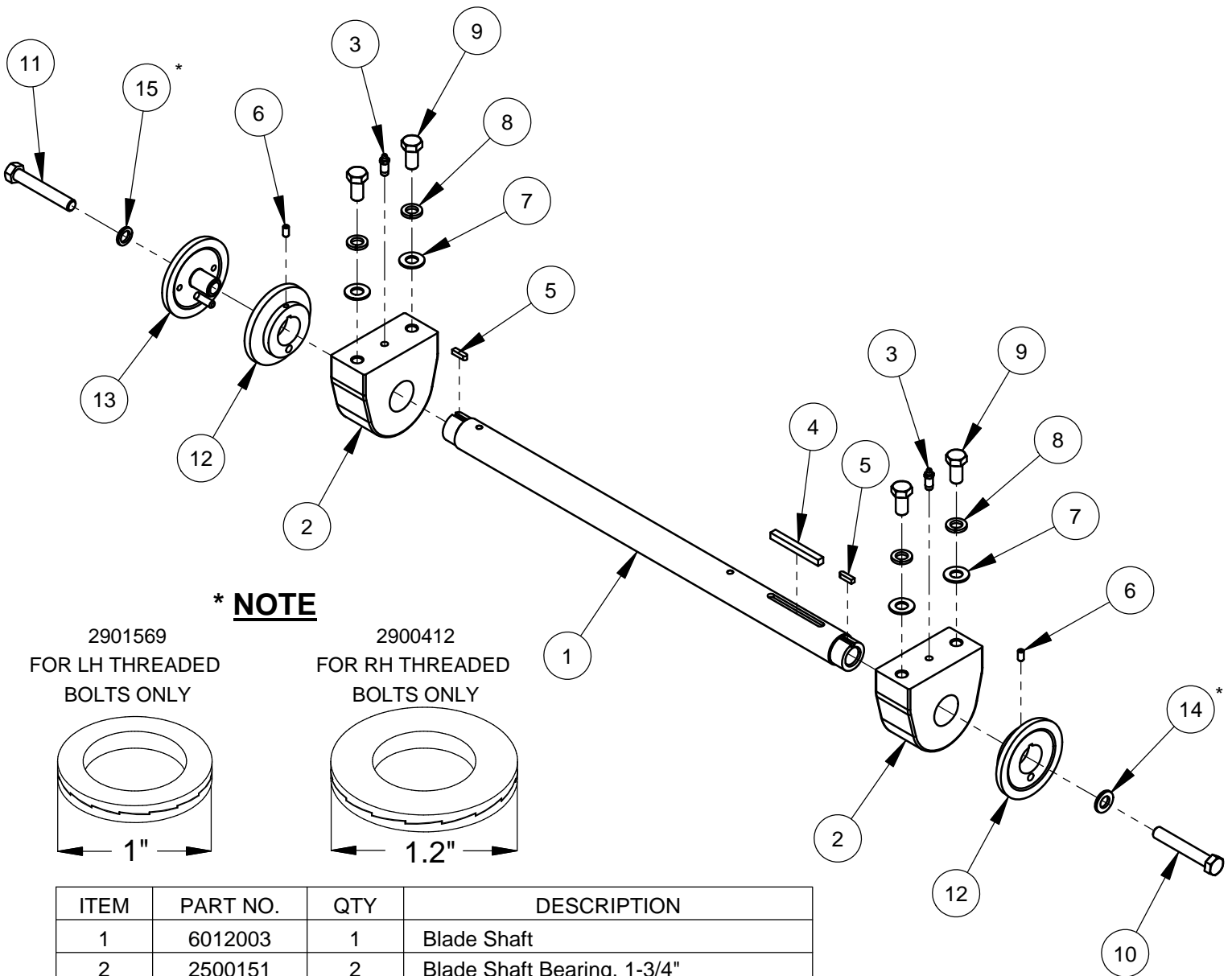


## Front Wheel Assembly #6010581



ITEM	PART NO.	QTY.	DESCRIPTION
1	2501390	1	Wheel, 8" Front
2	2501428	1	Seal, 1-1/2" V-Ring
3	2501391	1	Seal, 1-1/4" x 1-3/4" x 1/4"
4	2501418	4	Ball Bearing, 1" x 2" x 1/2"
5	2501392	1	Retaining Ring, 2" Internal

## Blade Shaft Assembly #6012011 (Blades 14" - 26")

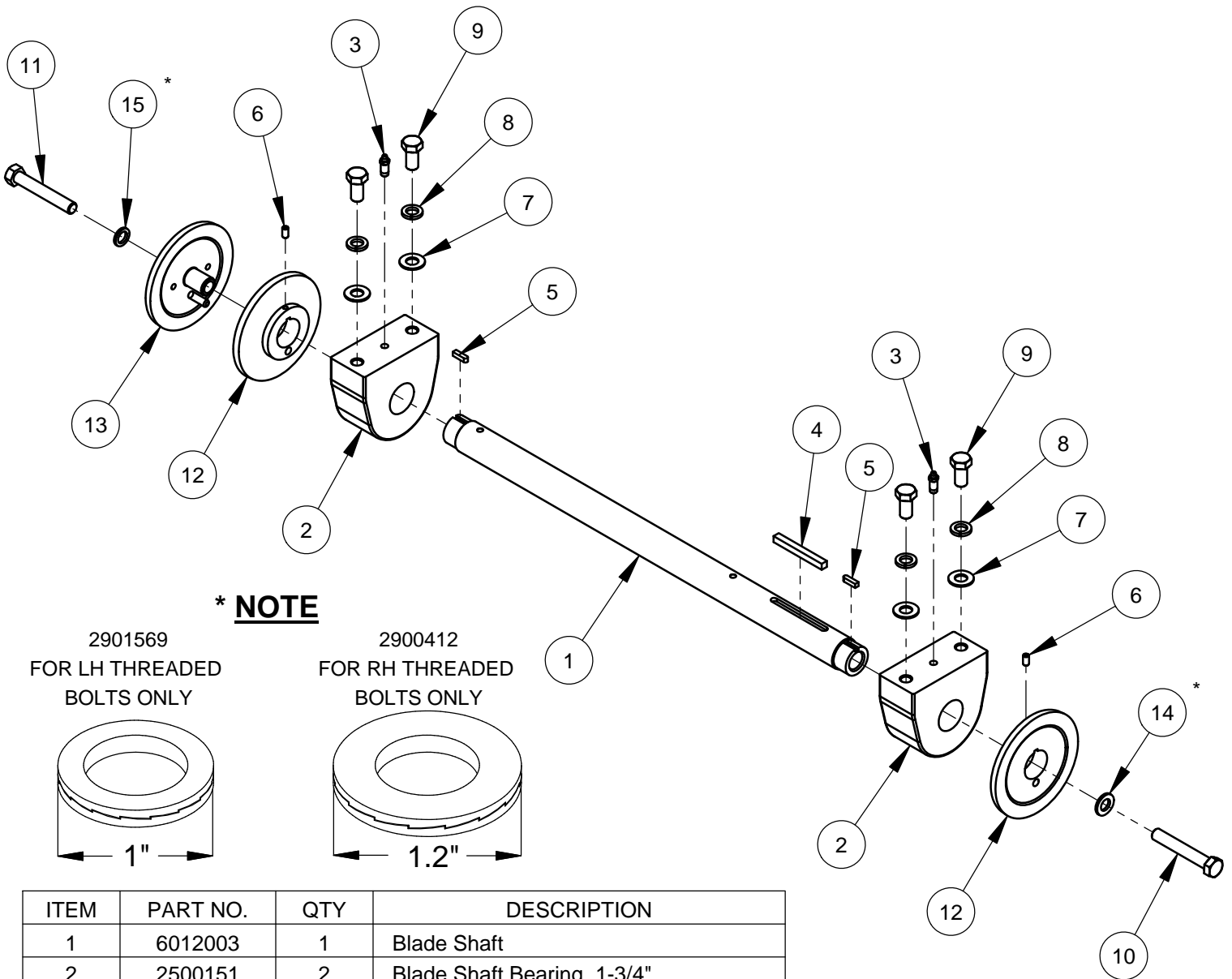


ITEM	PART NO.	QTY	DESCRIPTION
1	6012003	1	Blade Shaft
2	2500151	2	Blade Shaft Bearing, 1-3/4"
3	2900198	2	Grease Fitting, 1/8" NPT x 1-1/4"
4	6012065	1	Key, 3/8" Sq. x 3-1/2"
5	6010040	2	Key, 1/4" Sq. x 15/16"
6	2900418	2	Set Screw, Soc. Hd., 5/16-18 x 5/8"
7	2900002	4	Flat Washer, 5/8" SAE
8	2900113	4	Lock Washer, 5/8" Split
9	2900512	4	Cap Screw, Hex Hd., 5/8-11 x 1-1/4"
10	2900146	1	Cap Screw, Hex Hd., 5/8-11 x 4"
11	2900130	1	Cap Screw, Hex Hd., 5/8-11 x 4" LH
12	6010036	2	Inner Flange 4-1/2"
13	6010037	1	Outer Flange 4-1/2" with Pin
	2900197	1	Dowel Pin, 3/8" Dia. x 2"
14	2900412	1	Lock Washer, Wedge 5/8"
15	2901569	1	Lock Washer, Wedge 5/8" LH

\* See Note

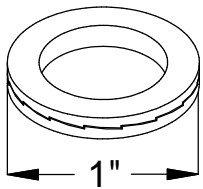
\* See Note

## Blade Shaft Assembly #6012012 (Blades 30" - 36")

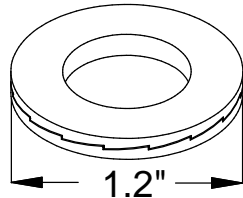


**\* NOTE**

2901569  
FOR LH THREADED  
BOLTS ONLY



2900412  
FOR RH THREADED  
BOLTS ONLY



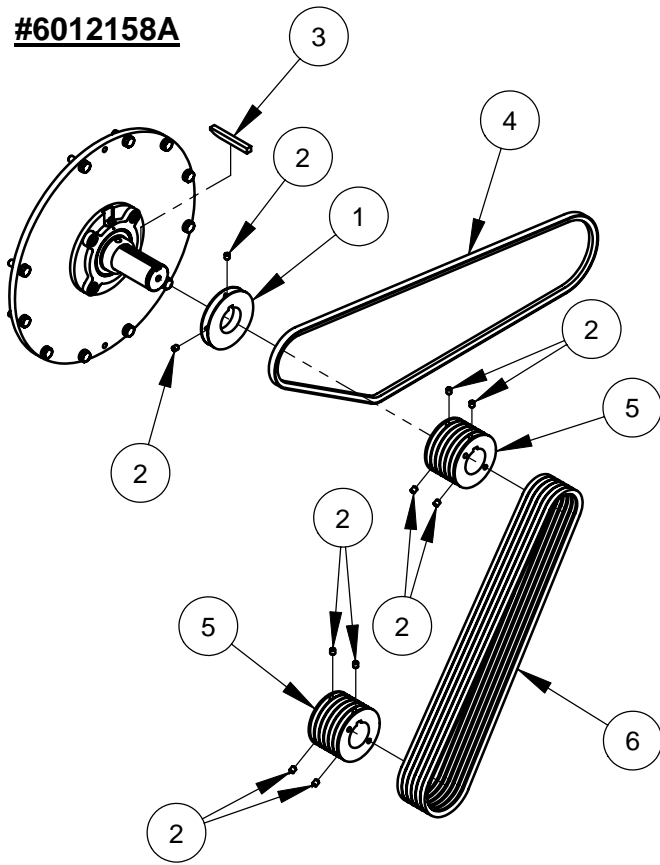
ITEM	PART NO.	QTY	DESCRIPTION
1	6012003	1	Blade Shaft
2	2500151	2	Blade Shaft Bearing, 1-3/4"
3	2900198	2	Grease Fitting, 1/8" NPT x 1-1/4"
4	6012065	1	Key, 3/8" Sq. x 3-1/2"
5	6010040	2	Key, 1/4" Sq. x 15/16"
6	2900418	2	Set Screw, Soc. Hd., 5/16-18 x 5/8"
7	2900002	4	Flat Washer, 5/8" SAE
8	2900113	4	Lock Washer, 5/8" Split
9	2900512	4	Cap Screw, Hex Hd., 5/8-11 x 1-1/4"
10	2900146	1	Cap Screw, Hex Hd., 5/8-11 x 4"
11	2900130	1	Cap Screw, Hex Hd., 5/8-11 x 4" LH
12	6010038	2	Inner Flange 6"
13	6010039	1	Outer Flange 6" with Pin
	2900197	1	Dowel Pin, 3/8" Dia. x 2"
14	2900412	1	Lock Washer, Wedge 5/8"
15	2901569	1	Lock Washer, Wedge 5/8" LH

\* See Note

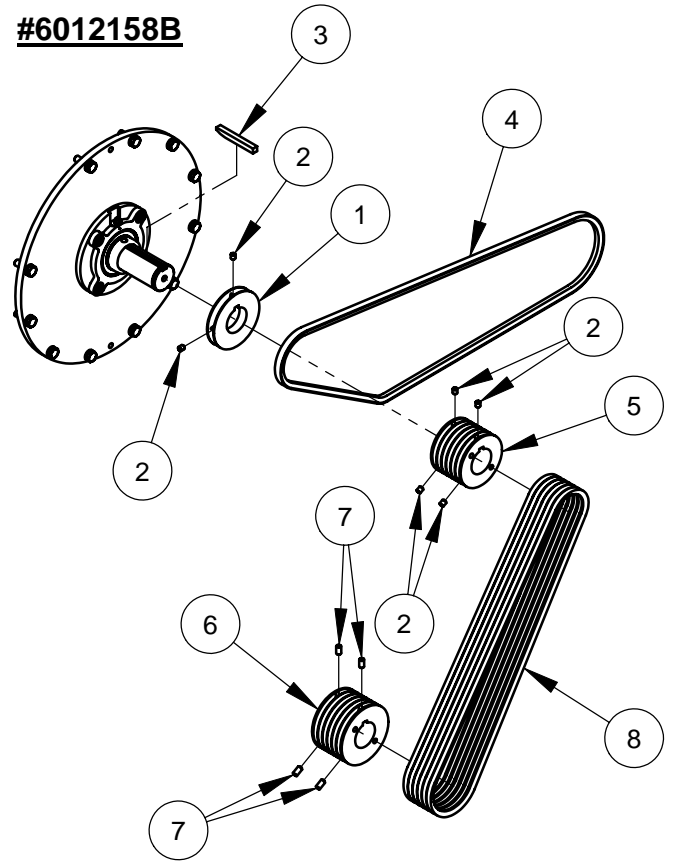
\* See Note

# Belt Drive Assembly #6012158

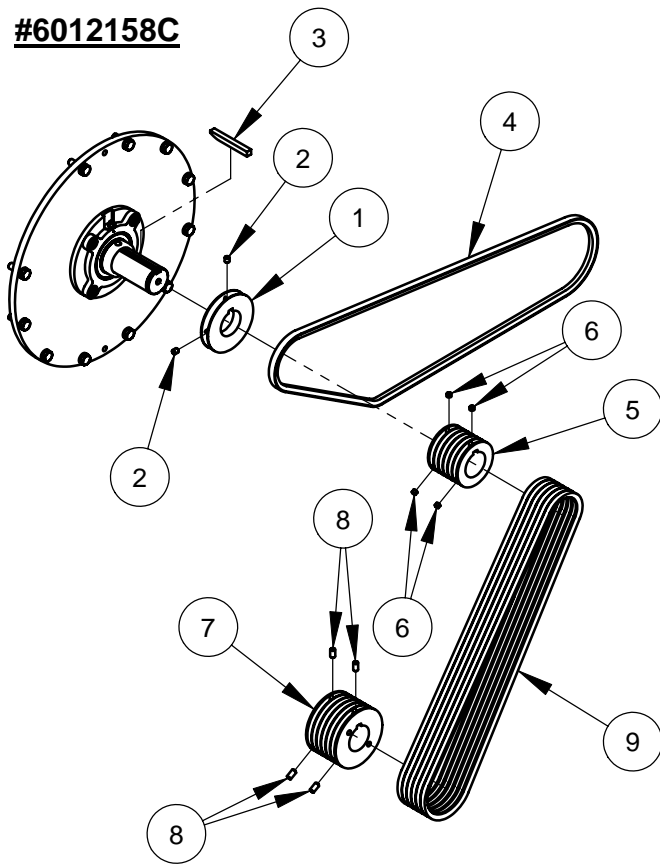
**#6012158A**



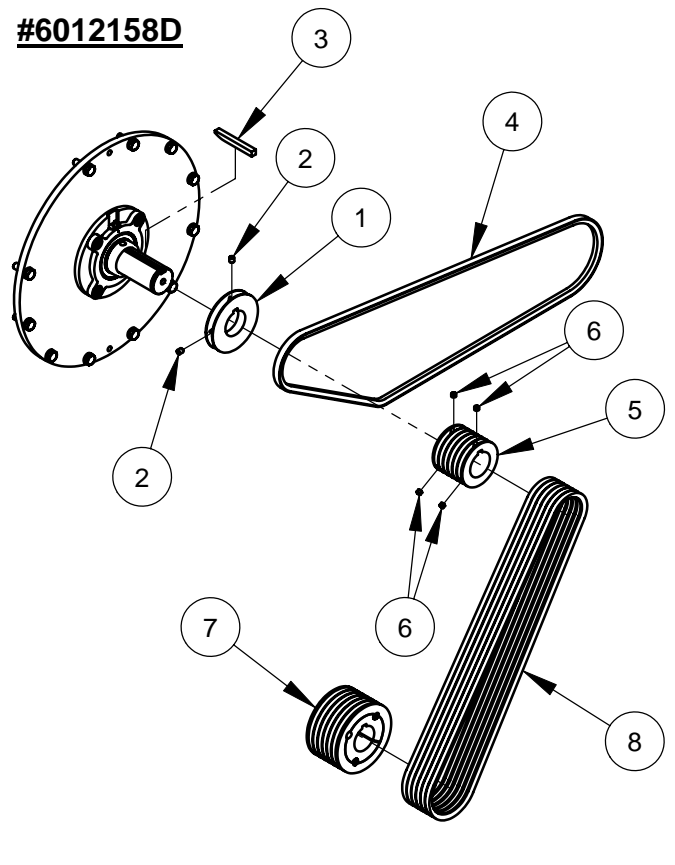
**#6012158B**



**#6012158C**



**#6012158D**



## **Belt Drive Assembly #6012158**

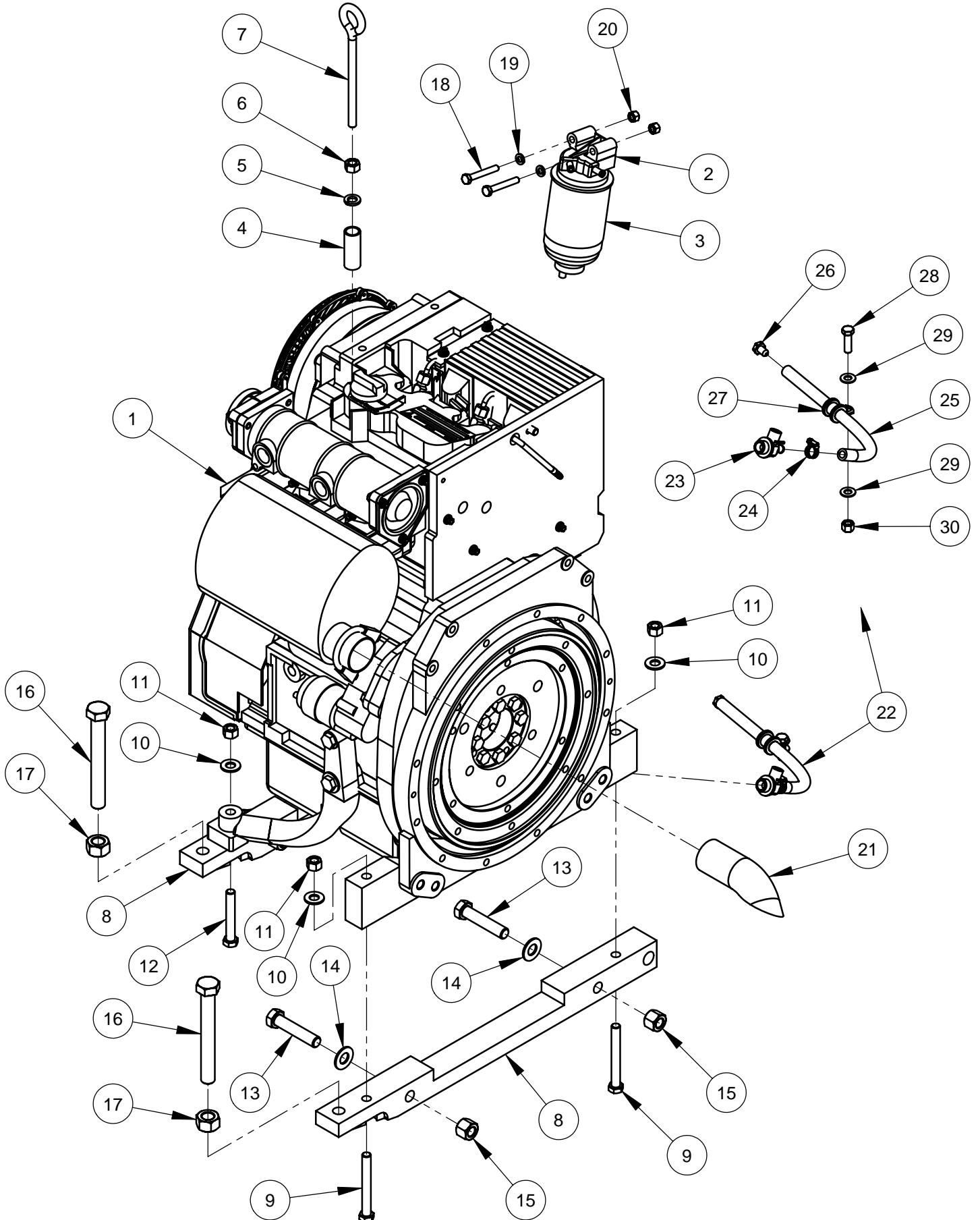
<b>14" BLADE DRIVE #6012158A</b>			
ITEM	PART NO.	QTY.	DESCRIPTION
1	6012006	1	Pulley, Accessory Drive
2	2900142	10	Set Screw, Soc. Hd., 5/16-18 x 3/8"
3	6011027	1	Key, 3/8" Sq. x 3-1/4" Bevel End
4	6010063	1	Link Belt
5	6011009	2	Sheave, 3.65" x 6 Groove x 1-3/4" Bore
6	2500298	6	V-Belt, 3VX475

<b>20" BLADE DRIVE #6012158B</b>			
ITEM	PART NO.	QTY.	DESCRIPTION
1	6012006	1	Pulley, Accessory Drive
2	2900142	6	Set Screw, Soc. Hd., 5/16-18 x 3/8"
3	6011027	1	Key, 3/8" Sq. x 3-1/4" Bevel End
4	6010063	1	Link Belt
5	6011009	1	Sheave, 3.65" x 6 Groove x 1-3/4" Bore
6	6011010	1	Sheave, 4.12" x 6 Groove x 1-3/4" Bore
7	2900418	4	Set Screw, Soc. Hd., 5/16-18 x 5/8"
8	2500298	6	V-Belt, 3VX475

<b>26" BLADE DRIVE #6012158C</b>			
ITEM	PART NO.	QTY.	DESCRIPTION
1	6012006	1	Pulley, Accessory Drive
2	2900142	2	Set Screw, Soc. Hd., 5/16-18 x 3/8"
3	6011027	1	Key, 3/8" Sq. x 3-1/4" Bevel End
4	6010063	1	Link Belt
5	6012005	1	Sheave, 3.12" x 6 Groove x 1-3/4" Bore
6	2900036	4	Set Screw, Soc. Hd., 5/16-18 x 1/4"
7	6011010	1	Sheave, 4.12" x 6 Groove x 1-3/4" Bore
8	2900418	4	Set Screw, Soc. Hd., 5/16-18 x 5/8"
9	2500298	6	V-Belt, 3VX475

<b>30" &amp; 36" BLADE DRIVE #6012158D</b>			
ITEM	PART NO.	QTY.	DESCRIPTION
1	6012006	1	Pulley, Accessory Drive
2	2900142	2	Set Screw, Soc. Hd., 5/16-18 x 3/8"
3	6011027	1	Key, 3/8" Sq. x 3-1/4" Bevel End
4	6010063	1	Link Belt
5	6012005	1	Sheave, 3.12" x 6 Groove x 1-3/4" Bore
6	2900036	4	Set Screw, Soc. Hd., 5/16-18 x 1/4"
7	6012052	1	Sheave, 4.75" x 6 Groove w/Bushing
	2500367	1	Sheave, 4.75" x 6 Groove Taper Style
	2500454	1	Taper Bushing, 1-3/4" w/Setscrews
8	2500298	6	V-Belt, 3VX475

# Engine Assembly #6012157

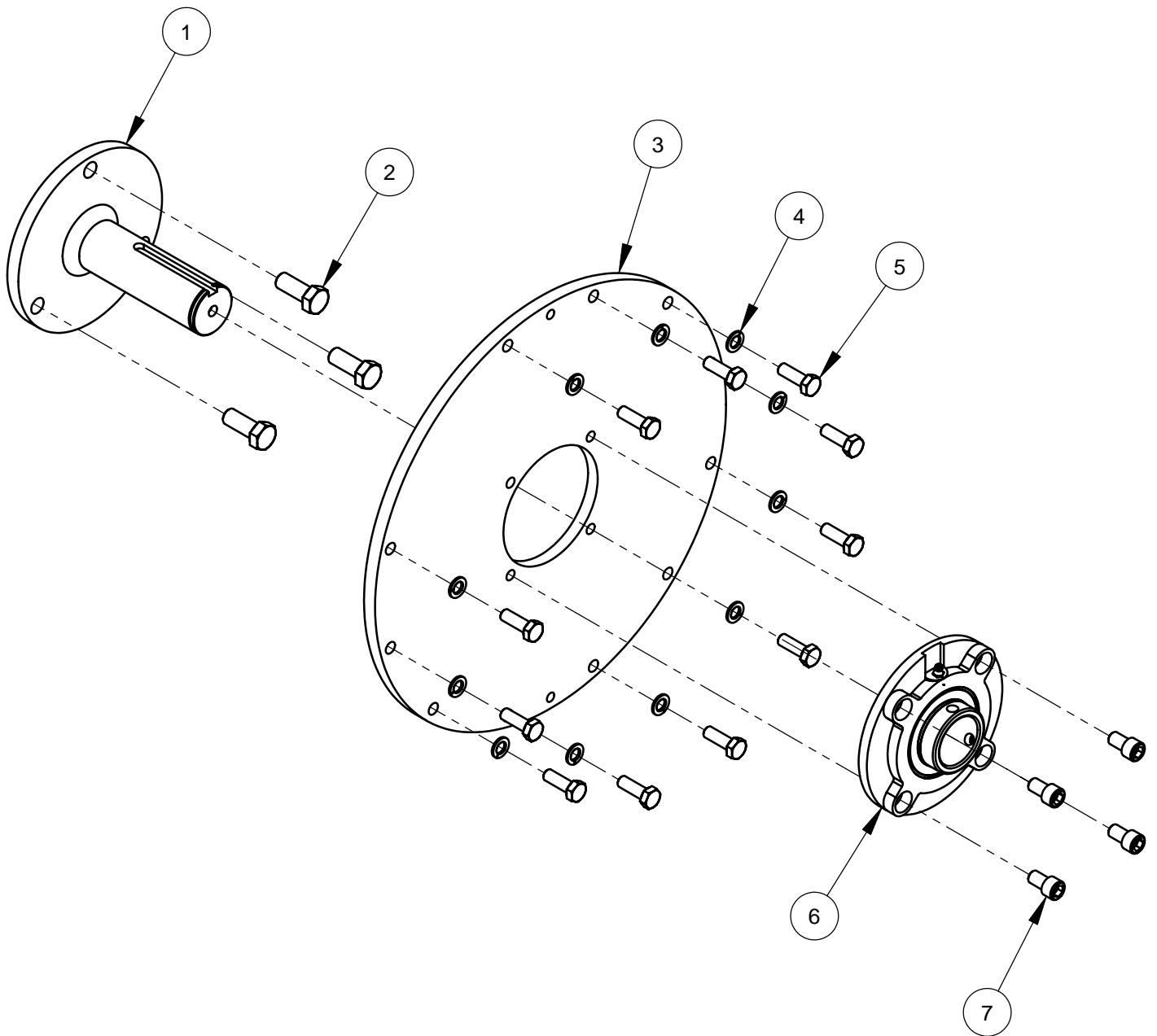


## Engine Assembly #6012157

ITEM	PART NO.	QTY.	DESCRIPTION
1	2600341	1	Engine, Deutz Model F2L2011
2	2702224	1	Fuel Filter Housing
3	2701339	1	Fuel Filter
4	6090417	1	Spacer, 2-1/4" Long
5	2900084	1	Lock Washer, 1/2" Split
6	2900482	1	Hex Nut, M12
7	2900481	1	Eyebolt, M12 x 6"
8	6010659	2	Engine Support Leg
9	2900347	2	Cap Screw, Hex Hd., M12 x 100mm
10	2900058	4	Flat Washer, 1/2" SAE
11	2900327	4	Lock Nut, M12 Nylon
12	2900346	2	Cap Screw, Hex Hd., M12 x 80mm
13	2900195	4	Cap Screw, Hex Hd., 5/8-11 x 3"
14	2900002	4	Flat Washer, 5/8" SAE
15	2900135	4	Lock Nut, 5/8-11 Nylon
16	2900480	2	Tap Bolt, Hex Hd., 3/4-10 x 6"
17	2900041	2	Hex Nut, 3/4-10
18	2900289	2	Cap Screw, Hex Hd., 5/16-18 x 2-1/4"
19	2900031	2	Lock Washer, 5/16" Split
20	2900039	2	Lock Nut, 5/16-18 Nylon
21	2500517	1	Exhaust Deflector, 1-7/8"
22	6012165	1	Oil Drain Valve Assembly

ITEM	PART NO.	QTY.	DESCRIPTION
23	3200814	1	Oil Drain Valve, M18x1.5
24	3200062	1	Hose Clamp #4
25	6010364	1	Oil Drain Hose, 3/8" I.D. x 14"
26	3200741	1	Hose Plug
27	2501434	1	Hose Clamp, 1/2" x 3/4" Wide
28	2900013	1	Cap Screw, Hex Hd., 3/8-16 x 1-1/4"
29	2900014	2	Flat Washer, 3/8" SAE
30	2900018	1	Lock Nut, 3/8-16 Nylon

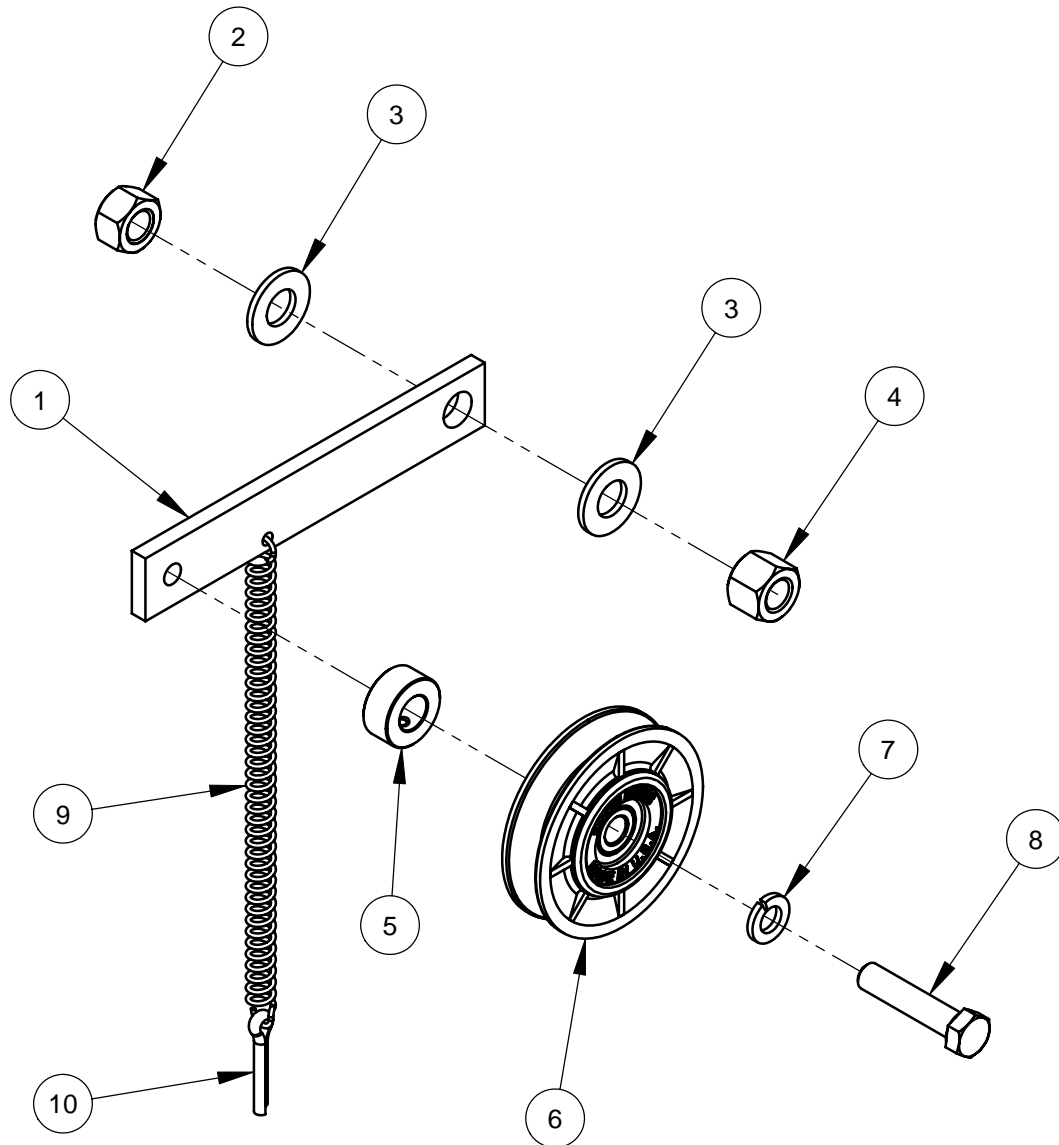
## PTO Assembly #6012159



ITEM	PART NO.	QTY.	DESCRIPTION
1	6012036	1	PTO Shaft
2	2900349	3	Cap Screw, Hex Hd., M14 x 35mm
3	6012155	1	Inner Ring Support
4	2900321	11	Lock Washer, M10 Split
5	2900223	11	Cap Screw, Hex Hd., M10 x 30mm
6	6010509	1	Flange Cartridge Bearing 1-3/4"
7	2900460	4	Cap Screw, Soc. Hd., 7/16-14 x 3/4"

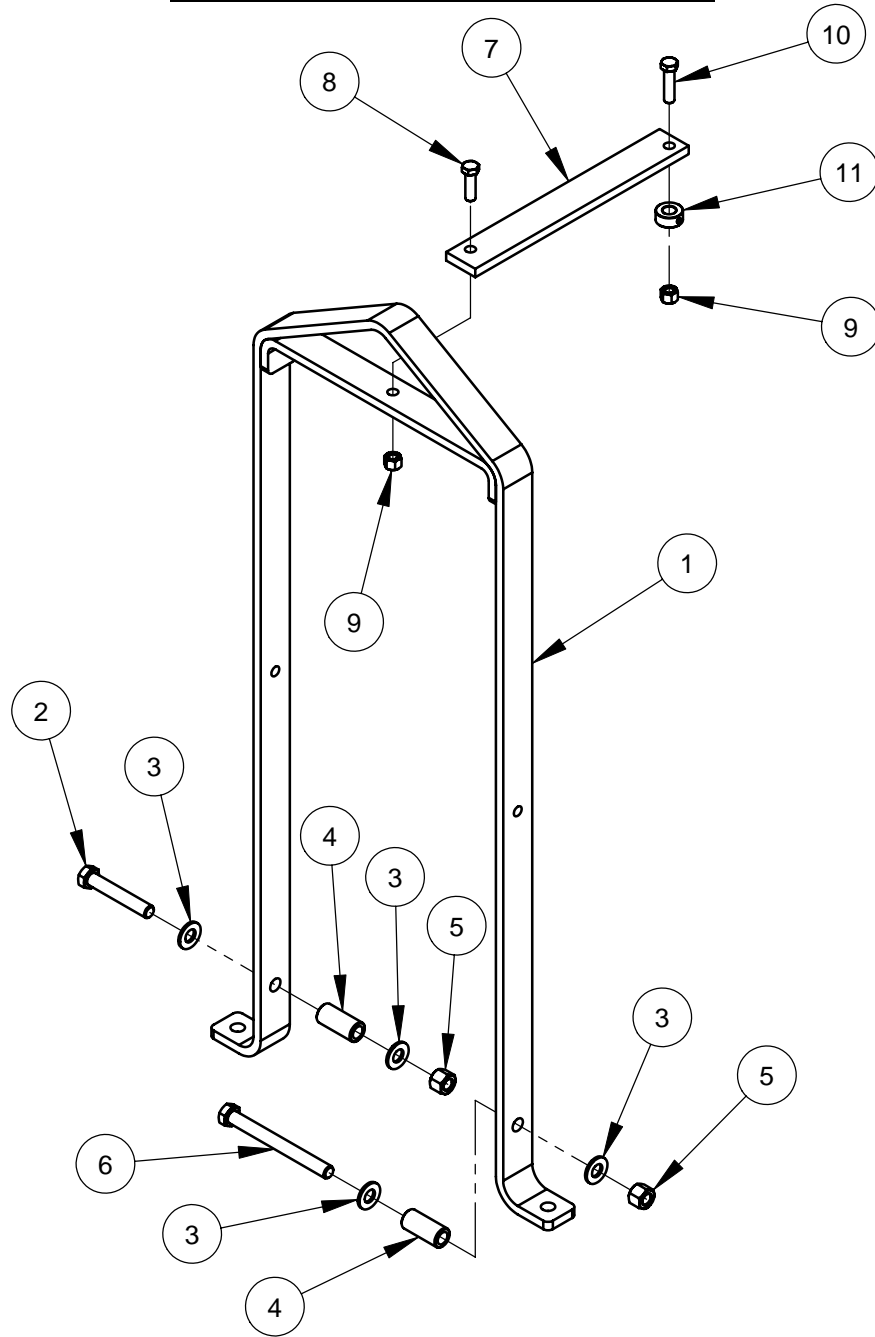


## Idler Assembly #6012169



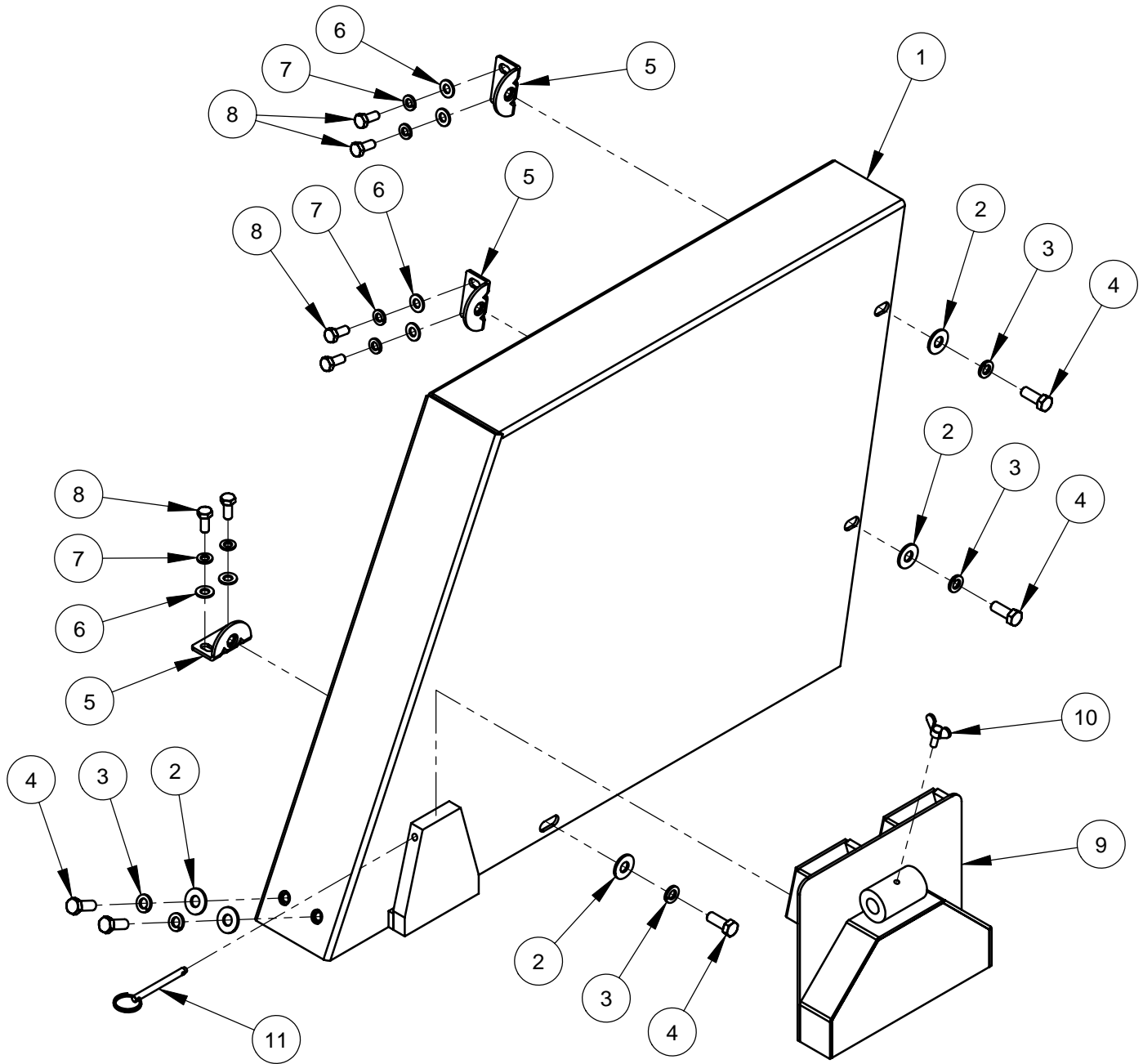
ITEM	PART NO.	QTY.	DESCRIPTION
1	6012046	1	Idler Arm
2	2900037	1	Hex Nut, 1/2-13
3	2900058	2	Flat Washer, 1/2" SAE
4	2900026	1	Lock Nut, 1/2-13 Nylon
5	2500007	1	Set Collar, 1/2" with Set Screw
6	2500074	1	Idler Pulley 3"
7	2900006	1	Lock Washer, 3/8" Split
8	2900047	1	Cap Screw, Hex Hd., 3/8-16 x 1-3/4"
9	2500195	1	Spring, 3/8" x 7-3/4"
10	2900055	1	Cotter Pin, 3/16" x 1"

## Frame Lift Assembly #6012161



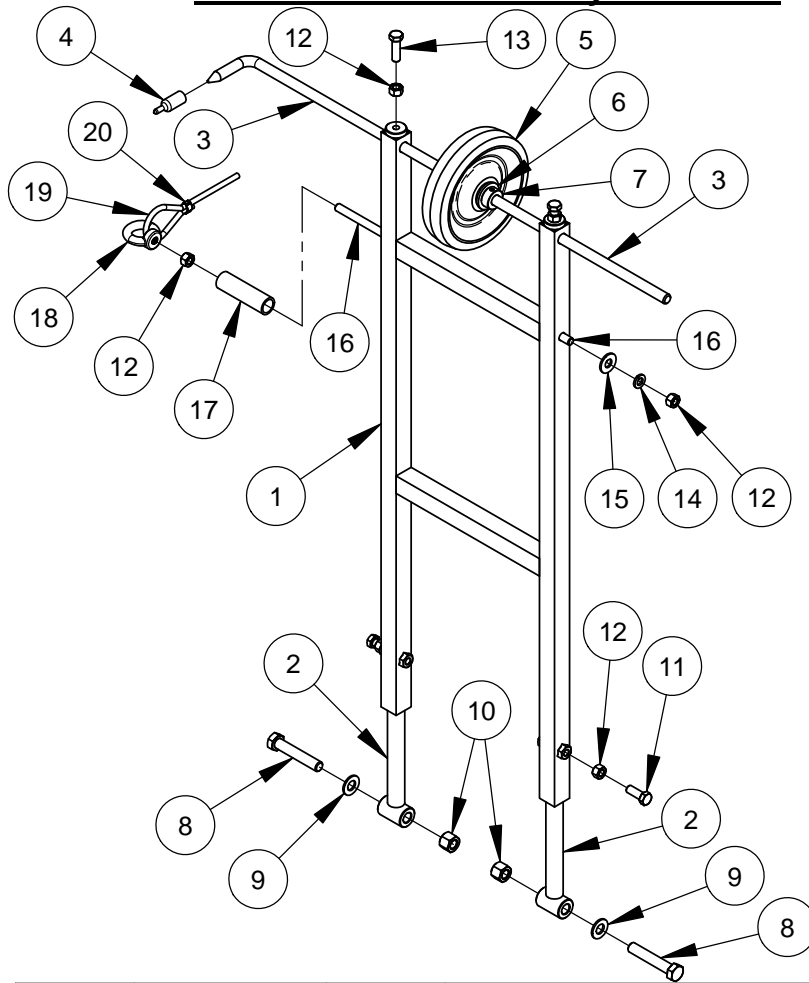
ITEM	PART NO.	QTY.	DESCRIPTION
1	6047952	1	Frame Lift
2	2900693	1	Cap Screw, Hex Hd., 1/2-13 x 3"
3	2900058	4	Flat Washer, 1/2" SAE
4	6012137	2	Spacer, 1-3/4" Long
5	2900026	2	Lock Nut, 1/2-13 Nylon
6	2900758	1	Tap Bolt, Hex Hd., 1/2-13 x 5"
7	6012040	1	Frame Lift Brace
8	2900013	1	Cap Screw, Hex Hd., 3/8-16 x 1-1/4"
9	2900018	2	Lock Nut, 3/8-16 Nylon
10	2900029	1	Cap Screw, Hex Hd., 3/8-16 x 1-1/2"
11	2500007	1	Set Collar, 1/2" with Set Screw

## Belt Guard Assembly #6012142



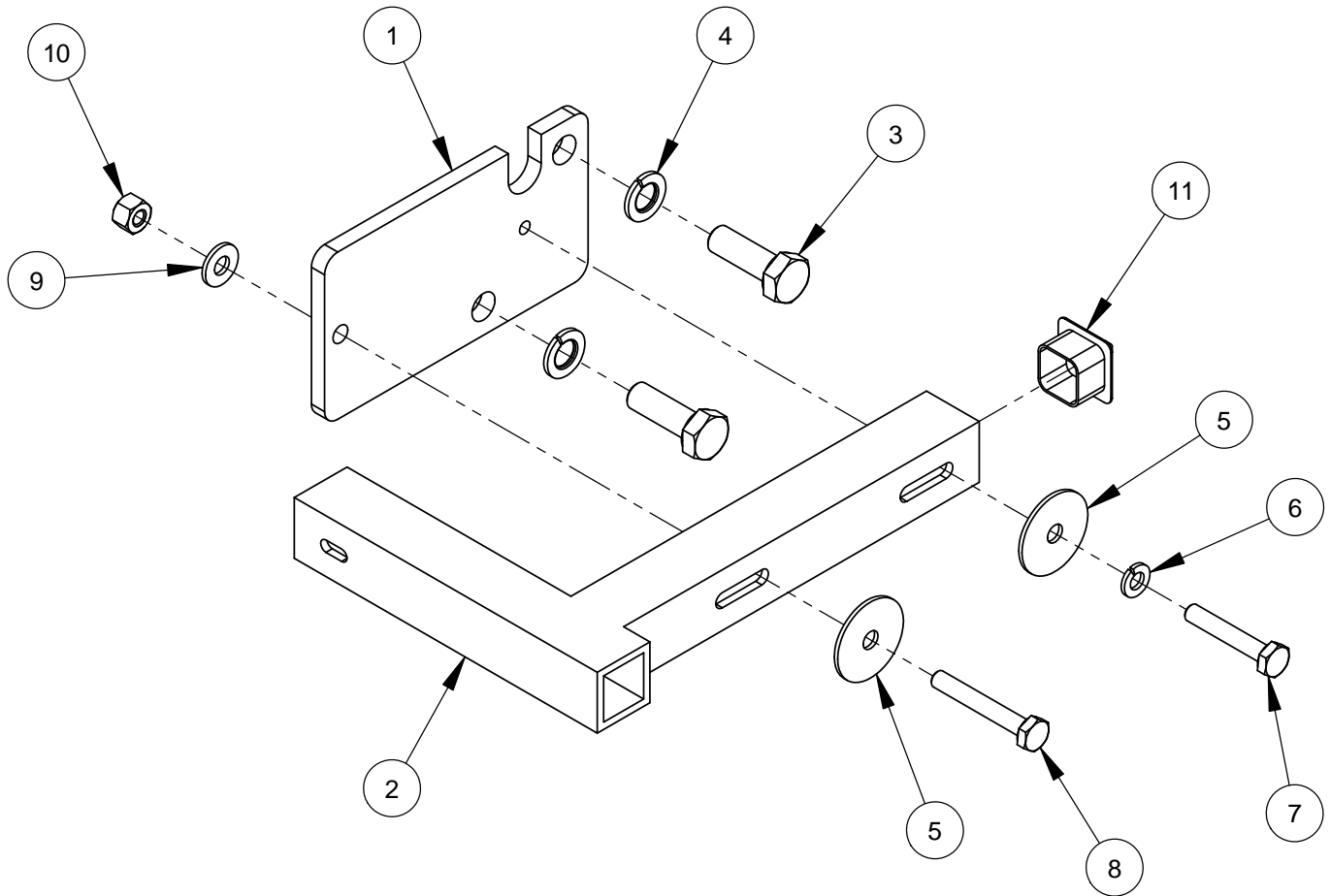
ITEM	PART NO.	QTY	DESCRIPTION
1	6012089A	1	Belt Guard Weldment
2	2900473	5	Flat Washer, 3/8" USS
3	2900006	5	Lock Washer, 3/8" Split
4	2900005	5	Cap Screw, Hex Hd., 3/8-16 x 1"
5	6010558	3	Guard Mounting Tab, 3/8-16
6	2900022	6	Flat Washer, 5/16" SAE
7	2900031	6	Lock Washer, 5/16" Split
8	2900019	6	Cap Screw, Hex Hd., 5/16-18 x 3/4"
9	6010555	1	Shaft/Flange Guard (Narrow)
10	2900307	1	Wing Screw, M6 x 16mm
11	2900156	1	Lock Pin with Ring

## Front Pointer Assembly #6010990



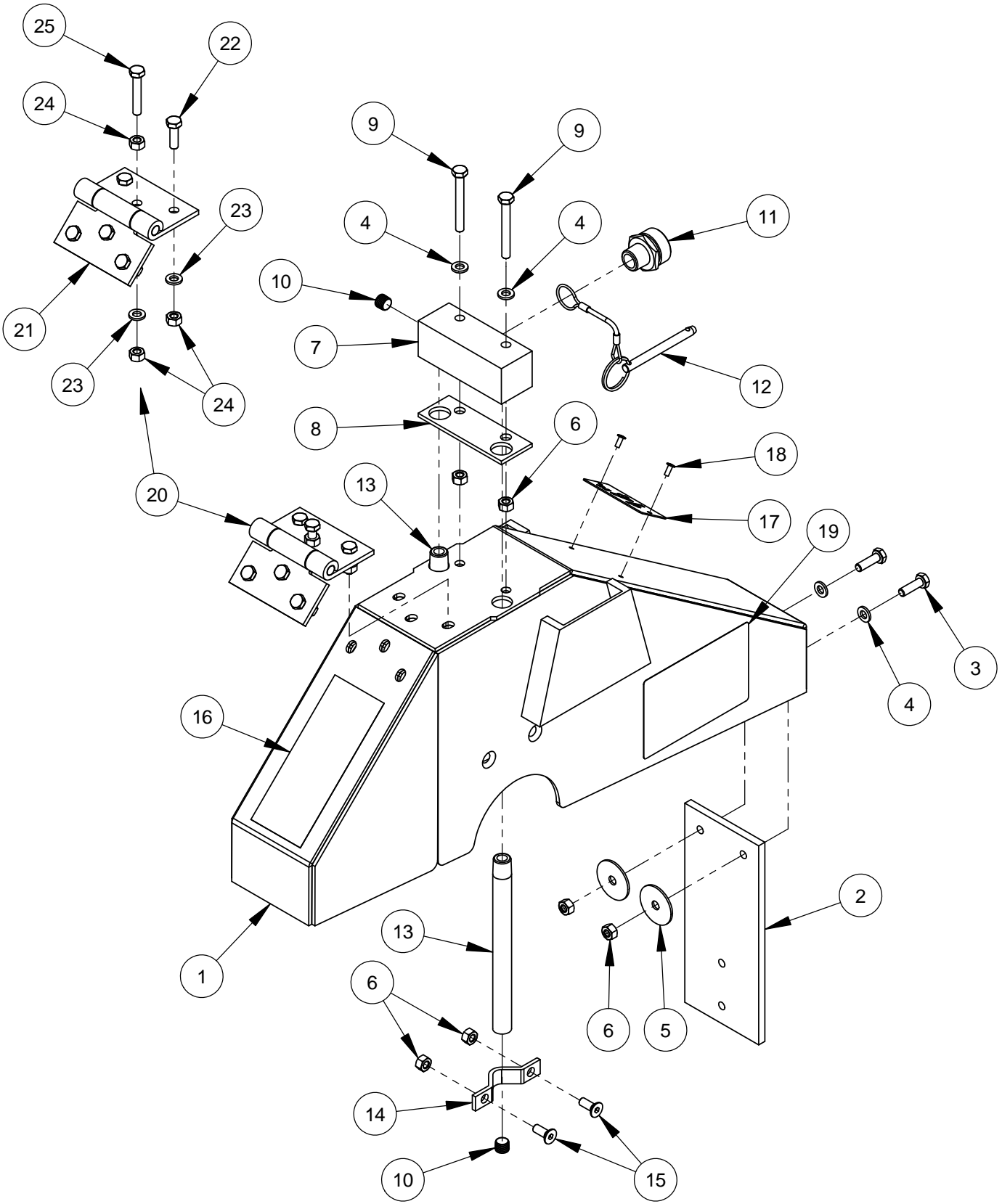
ITEM	PART NO.	QTY.	DESCRIPTION
1	6010541	1	Front Pointer Frame
2	6011152	2	Front Pointer Arm
3	6013025	1	Front Pointer Rod
4	2500740	1	Pointer Cap
5	2501409	1	Wheel, 6"
6	2900127	2	Flat Washer, 1/2" USS
7	2500007	2	Set Collar, 1/2" with Set Screw
8	2900105	2	Cap Screw, Hex Hd., 1/2-13 x 2-3/4"
9	2900239	2	Friction Washer, 1/2"
10	2900026	2	Lock Nut, 1/2-13 Nylon
11	2900005	2	Cap Screw, Hex Hd., 3/8-16 x 1"
12	2900033	6	Hex Nut, 3/8-16
13	2900013	2	Cap Screw, Hex Hd., 3/8-16 x 1-1/4"
14	2900006	1	Lock Washer, 3/8" Split
15	2900473	1	Flat Washer, 3/8" USS
16	6010988	1	Rod, 3/8-16 x 15-1/2"
17	6010989	1	Spacer, 3" Long
18	2900885	1	Eye Nut, 3/8-16
19	6017241	1	Pointer Rope 11 Foot
20	3200221	2	Pinch Clamp, Two Ear

## Pointer Stop Assembly #6012236



ITEM	PART NO.	QTY.	DESCRIPTION
1	6010688	1	Adapter Plate
2	6010583	1	Pointer Stop
3	2900223	2	Cap Screw, Hex Hd., M10-1.5 x 30mm
4	2900321	2	Lock Washer, M10 Split
5	2900083	2	Fender Washer, 1/4" x 1-1/4"
6	2900024	1	Lock Washer, 1/4" Split
7	2900048	1	Cap Screw, Hex Hd., 1/4-20 x 1-1/2"
8	2900392	1	Cap Screw, Hex Hd., 1/4-20 x 1-3/4"
9	2900009	1	Flat Washer, 1/4" SAE
10	2900010	1	Lock Nut, 1/4-20 Nylon
11	2500573	1	Plug, 1" Square Tube

# 14" Blade Guard Assembly #6010950



## 14" Blade Guard Assembly #6010950

ITEM	PART NO.	QTY.	DESCRIPTION
1	6010601	1	14" Blade Guard Front & Rear Only
2	6010081	1	Splash Flap
3	2900310	2	Cap Screw, Hex Hd., M6-1.0 x 20mm
4	2901494	4	Flat Washer, M6
5	2900083	2	Fender Washer, 1/4" x 1-1/4"
6	2900302	8	Lock Nut, M6-1.0 Nylon Insert
7	6010261	1	Water Manifold
8	2500830	1	Water Manifold Gasket
9	2901355	2	Cap Screw, Hex Hd., M6-1.0 x 50mm
10	3200001	3	Plug, 1/8" NPT
11	3200002	1	Fitting, 3/8" M. Pipe to 3/4" M. Garden
12	2900278	1	Lanyard with Lock Pin
13	6048283	2	Water Tube for 14" Guard
14	6048155	2	Water Tube Clamp
15	2900308	4	Cap Screw, Flat Hd., M6-1.0 x 16mm
16	1800001	1	Warning Label
17	1801369A	1	Blade Guard Size Tag
18	2900287	2	Rivet, 1/8" Dia.
19	1802090	2	Label, Wedge Locking Washer
20	6048026	1	Hinge Assembly

ITEM	PART NO.	QTY.	DESCRIPTION
21	2500270	1	Blade Guard Hinge
22	2900310	5	Cap Screw, Hex Hd., M6-1.0 x 20mm
23	2901494	6	Flat Washer, M6
24	2900302	7	Lock Nut, M6-1.0 Nylon Insert
25	2900312	1	Cap Screw, Hex Hd., M6-1.0 x 35mm





## 20" Blade Guard Assembly #6010952

ITEM	PART NO.	QTY.	DESCRIPTION
1	6010603	1	20" Blade Guard Front & Rear Only
2	6010081	1	Splash Flap
3	2900310	2	Cap Screw, Hex Hd., M6-1.0 x 20mm
4	2901494	4	Flat Washer, M6
5	2900083	2	Fender Washer, 1/4" x 1-1/4"
6	2900302	8	Lock Nut, M6-1.0 Nylon Insert
7	6010261	1	Water Manifold
8	2500830	1	Water Manifold Gasket
9	2901355	2	Cap Screw, Hex Hd., M6-1.0 x 50mm
10	3200001	3	Plug, 1/8" NPT
11	3200002	1	Fitting, 3/8" M. Pipe to 3/4" M. Garden
12	2900278	1	Lanyard with Lock Pin
13	6010085	2	Water Tube for 20" Guard
14	6048155	2	Water Tube Clamp
15	2900308	4	Cap Screw, Flat Hd., M6-1.0 x 16mm
16	1800001	1	Warning Label
17	1801369D	1	Blade Guard Size Tag
18	2900287	2	Rivet, 1/8" Dia.
19	1802090	2	Label, Wedge Locking Washer
20	6048027	1	Hinge Assembly

ITEM	PART NO.	QTY.	DESCRIPTION
21	2500270	1	Blade Guard Hinge
22	2900310	6	Cap Screw, Hex Hd., M6-1.0 x 20mm
23	2901494	6	Flat Washer, M6
24	2900302	6	Lock Nut, M6-1.0 Nylon Insert

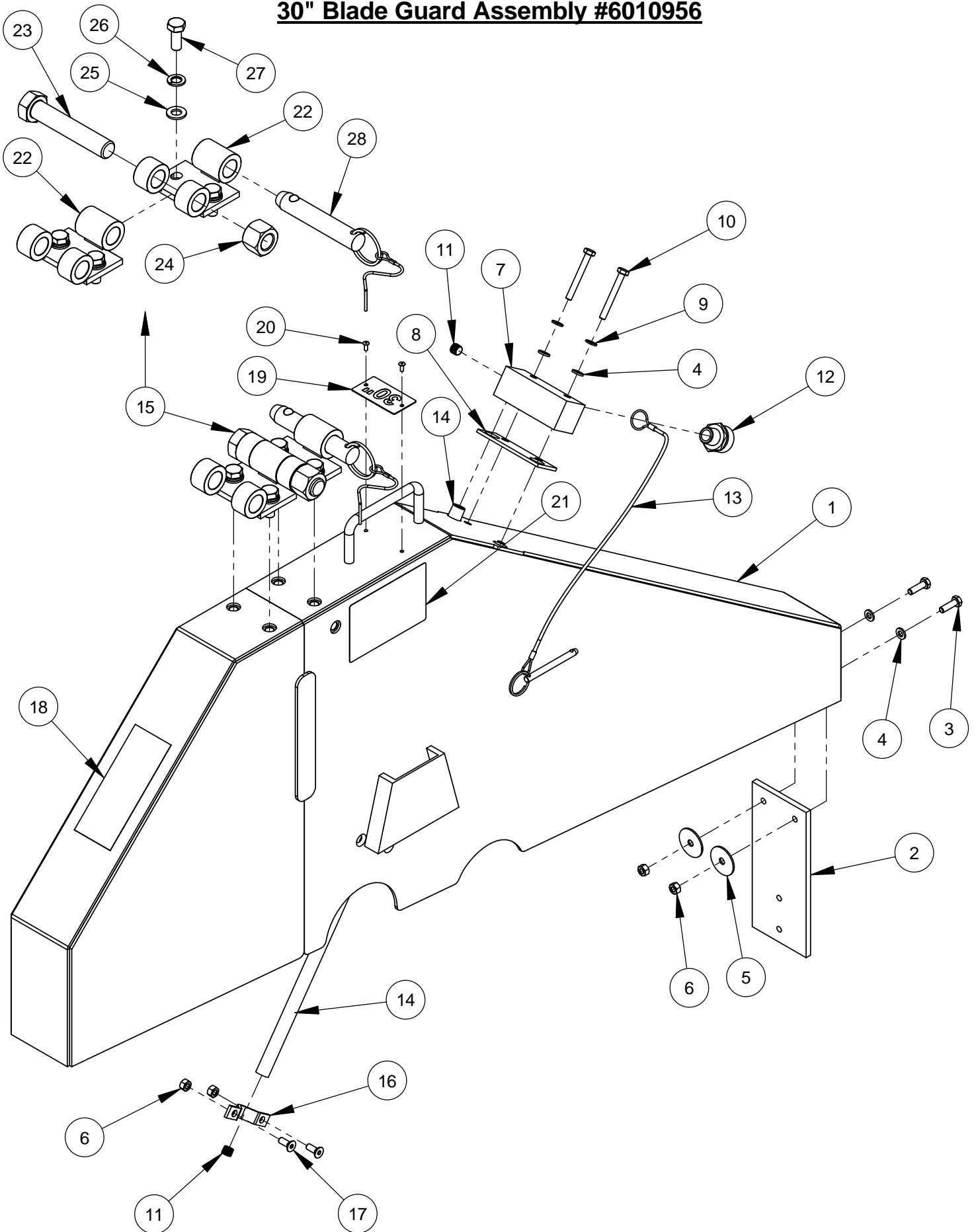


## 26" Blade Guard Assembly #6010954

ITEM	PART NO.	QTY.	DESCRIPTION
1	6010955	1	26" Blade Guard Front & Rear Only
2	6010081	1	Splash Flap
3	2900310	2	Cap Screw, Hex Hd., M6-1.0 x 20mm
4	2901494	4	Flat Washer, M6
5	2900083	2	Fender Washer, 1/4" x 1-1/4"
6	2900302	6	Lock Nut, M6-1.0 Nylon Insert
7	6010261	1	Water Manifold
8	2500830	1	Water Manifold Gasket
9	2900765	2	Lock Washer, M6 Split
10	2901355	2	Cap Screw, Hex Hd., M6-1.0 x 50mm
11	3200001	3	Plug, 1/8" NPT
12	3200002	1	Fitting, 3/8" M. Pipe to 3/4" M. Garden
13	2900279	1	Lanyard with Lock Pin
14	6010086	2	Water Tube for 26" Guard
15	6048155	2	Water Tube Clamp
16	2900308	4	Cap Screw, Flat Hd., M6-1.0 x 16mm
17	1800001	1	Warning Label
18	1801369F	1	Blade Guard Size Tag
19	2900287	2	Rivet, 1/8" Dia.
20	1802090	2	Label, Wedge Locking Washer
21	6010873	1	Universal Hinge Assembly

ITEM	PART NO.	QTY	DESCRIPTION
22	6010871	2	Hinge Weldment, Universal
23	2900479	1	Cap Screw, Hex Hd., 3/4-10 x 4"
24	2900467	1	Lock Nut, 3/4-10 Nylon
25	2901356	4	Flat Washer, M10
26	2900321	4	Lock Washer, M10 Split
27	2900333	4	Cap Screw, Hex Hd., M10-1.5 x 25mm
28	2503824	1	Detent Pin, 3/4" x 3" Grip

# 30" Blade Guard Assembly #6010956

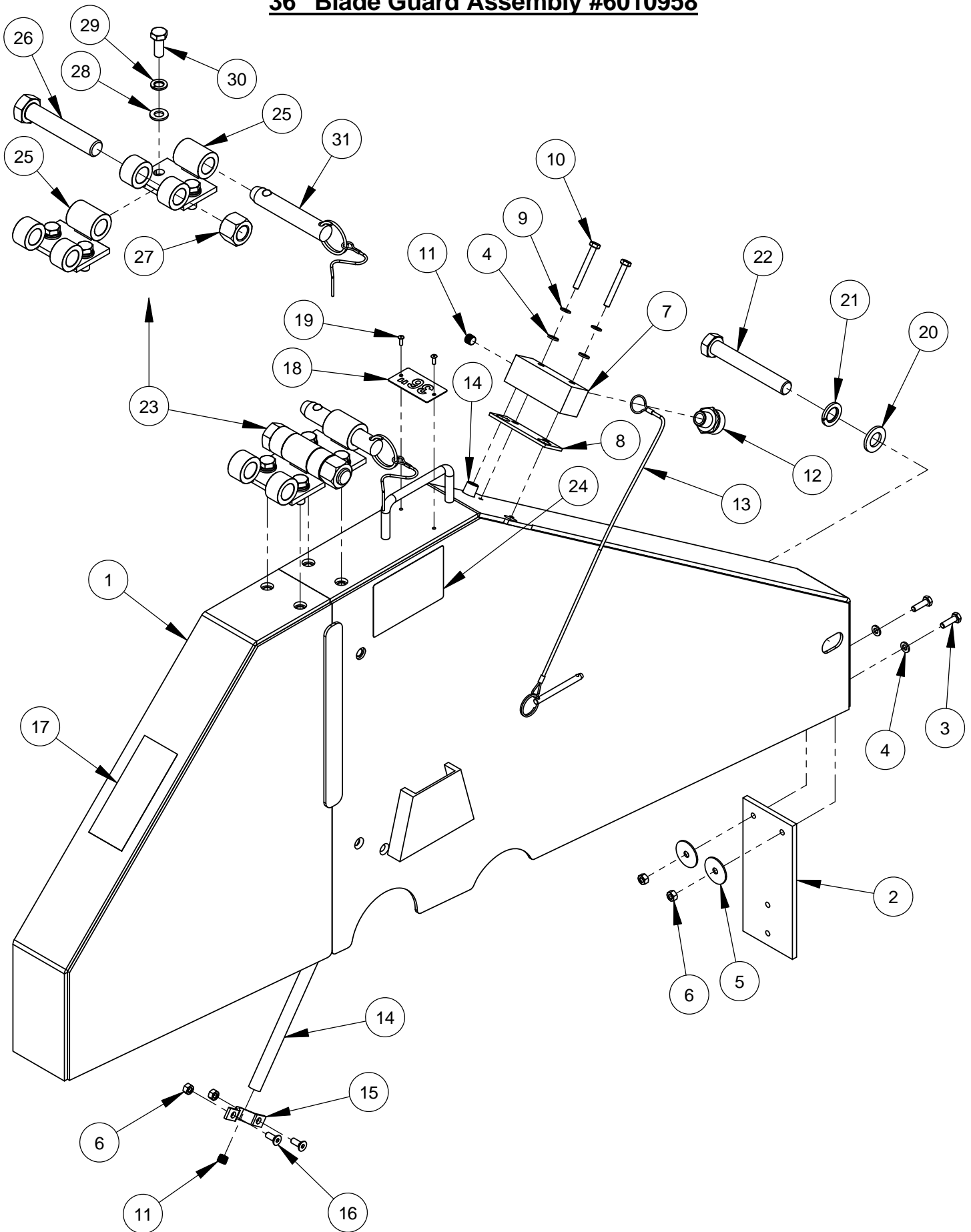


## 30" Blade Guard Assembly #6010956

ITEM	PART NO.	QTY.	DESCRIPTION
1	6010957	1	30" Blade Guard Front & Rear Only
2	6010081	1	Splash Flap
3	2900310	2	Cap Screw, Hex Hd., M6-1.0 x 20mm
4	2901494	4	Flat Washer, M6
5	2900083	2	Fender Washer, 1/4" x 1-1/4"
6	2900302	6	Lock Nut, M6-1.0 Nylon Insert
7	6010261	1	Water Manifold
8	2500830	1	Water Manifold Gasket
9	2900765	2	Lock Washer, M6 Split
10	2901355	2	Cap Screw, Hex Hd., M6-1.0 x 50mm
11	3200001	3	Plug, 1/8" NPT
12	3200002	1	Fitting, 3/8" M. Pipe to 3/4" M. Garden
13	2900279	1	Lanyard with Lock Pin
14	6010087	2	Water Tube for 30" Guard
15	6010873	1	Universal Hinge Assembly
16	6048155	2	Water Tube Clamp
17	2900308	4	Cap Screw, Flat Hd., M6-1.0 x 16mm
18	1800001	1	Warning Label
19	1801369G	1	Blade Guard Size Tag
20	2900287	2	Rivet, 1/8" Dia.
21	1802090	2	Label, Wedge Locking Washer

ITEM	PART NO.	QTY	DESCRIPTION
22	6010871	2	Hinge Weldment, Universal
23	2900479	1	Cap Screw, Hex Hd., 3/4-10 x 4"
24	2900467	1	Lock Nut, 3/4-10 Nylon
25	2901356	4	Flat Washer, M10
26	2900321	4	Lock Washer, M10 Split
27	2900333	4	Cap Screw, Hex Hd., M10-1.5 x 25mm
28	2503824	1	Detent Pin, 3/4" x 3" Grip

# 36" Blade Guard Assembly #6010958

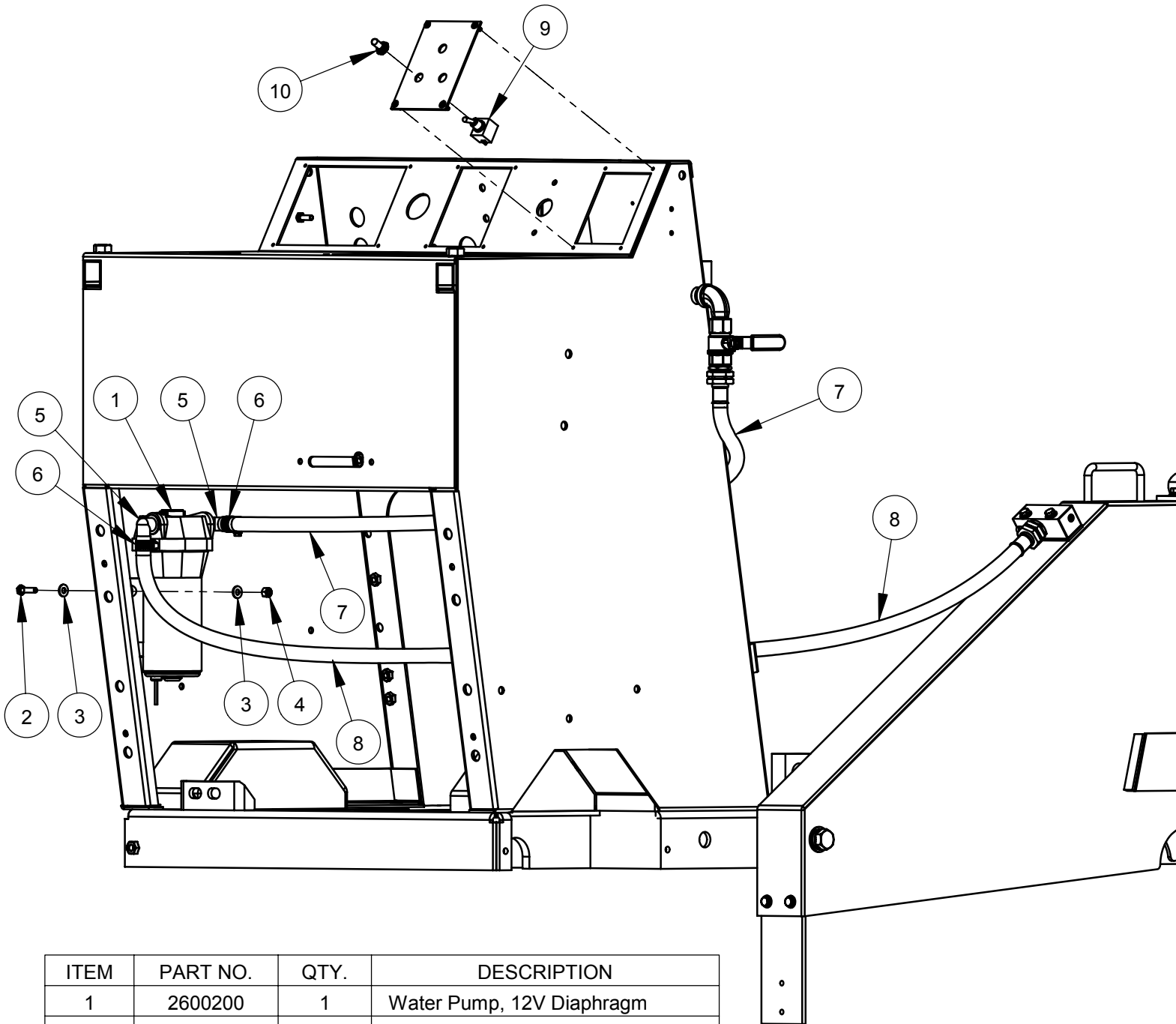


## 36" Blade Guard Assembly #6010958

ITEM	PART NO.	QTY.	DESCRIPTION
1	6010959	1	36" Blade Guard Front & Rear Only
2	6010081	1	Splash Flap
3	2900310	2	Cap Screw, Hex Hd., M6-1.0 x 20mm
4	2901494	4	Flat Washer, M6
5	2900083	2	Fender Washer, 1/4" x 1-1/4"
6	2900302	6	Lock Nut, M6-1.0 Nylon Insert
7	6010261	1	Water Manifold
8	2500830	1	Water Manifold Gasket
9	2900765	2	Lock Washer, M6 Split
10	2901355	2	Cap Screw, Hex Hd., M6-1.0 x 50mm
11	3200001	3	Plug, 1/8" NPT
12	3200002	1	Fitting, 3/8" M. Pipe to 3/4" M. Garden
13	2900280	1	Lanyard with Lock Pin
14	6010088	2	Water Tube for 36" Guard
15	6048155	2	Water Tube Clamp
16	2900308	4	Cap Screw, Flat Hd., M6-1.0 x 16mm
17	1800001	1	Warning Label
18	1801369H	1	Blade Guard Size Tag
19	2900639	2	Rivet, 1/8" Dia.
20	2901358	1	Flat Washer, M16
21	2900716	1	Lock Washer, M16 Split
22	2901349	1	Cap Screw, Hex Hd., M16-2.0 x 110mm
23	6010873	1	Universal Hinge Assembly
24	1802090	2	Label, Wedge Locking Washer

ITEM	PART NO.	QTY	DESCRIPTION
25	6010871	2	Hinge Weldment, Universal
26	2900479	1	Cap Screw, Hex Hd., 3/4-10 x 4"
27	2900467	1	Lock Nut, 3/4-10 Nylon
28	2901356	4	Flat Washer, M10
29	2900321	4	Lock Washer, M10 Split
30	2900333	4	Cap Screw, Hex Hd., M10-1.5 x 25mm
31	2503824	1	Detent Pin, 3/4" x 3" Grip

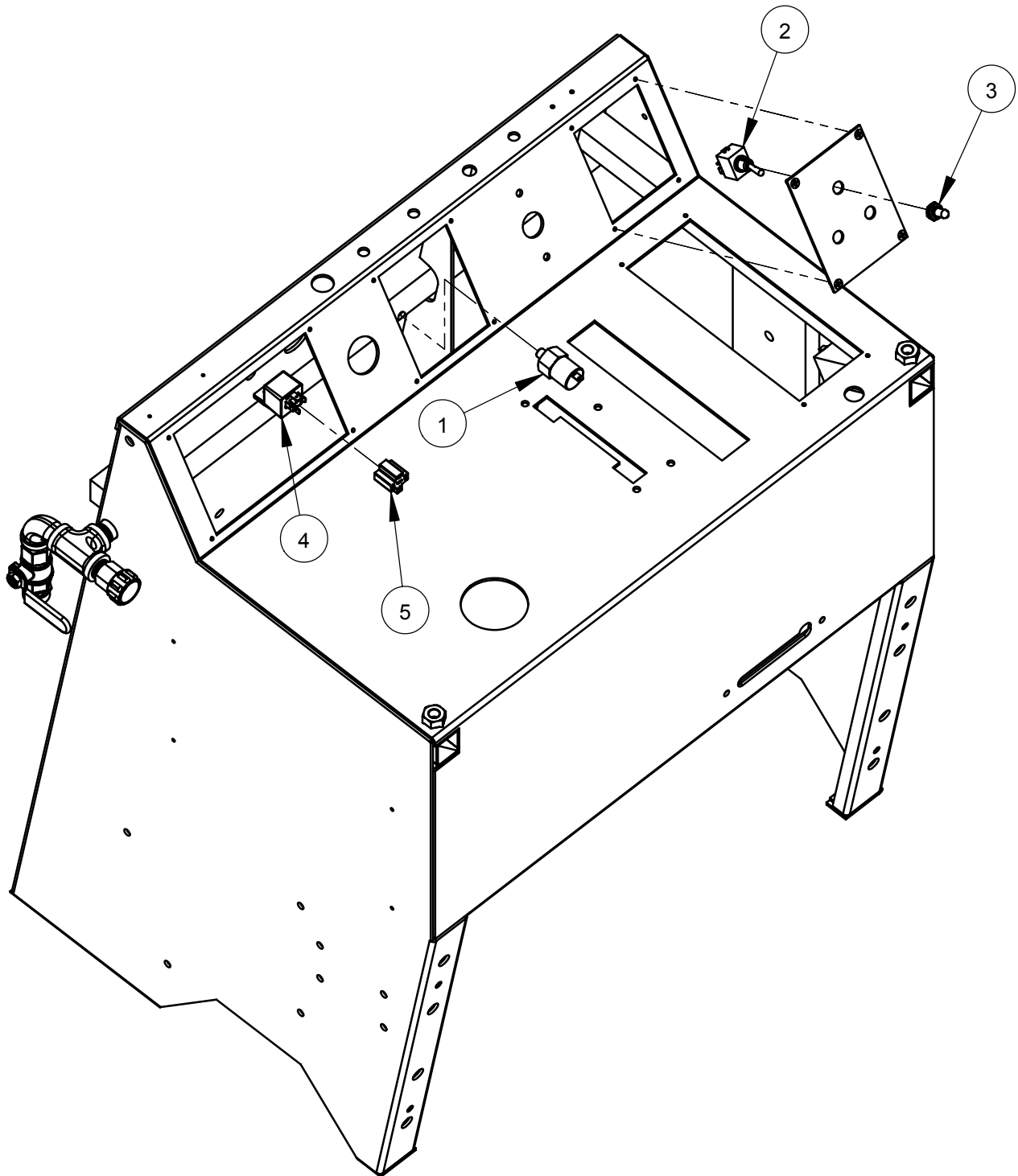
## Optional Water Pump Assembly #6011032



ITEM	PART NO.	QTY.	DESCRIPTION
1	2600200	1	Water Pump, 12V Diaphragm
2	2900008	4	Cap Screw, Hex Hd., 1/4-20 x 1"
3	2900009	8	Flat Washer, 1/4" SAE
4	2900010	4	Lock Nut, 1/4-20 Nylon
5	2701694	2	Port Fitting, 1/2" Barb x 90 Degree
6	3200016	2	Hose Clamp #8
7	6010302	1	Hose Assembly, 4 Foot
8	6010303	1	Hose Assembly, 5 Foot
9	2800062	1	Toggle Switch
10	2800063	1	Switch Boot

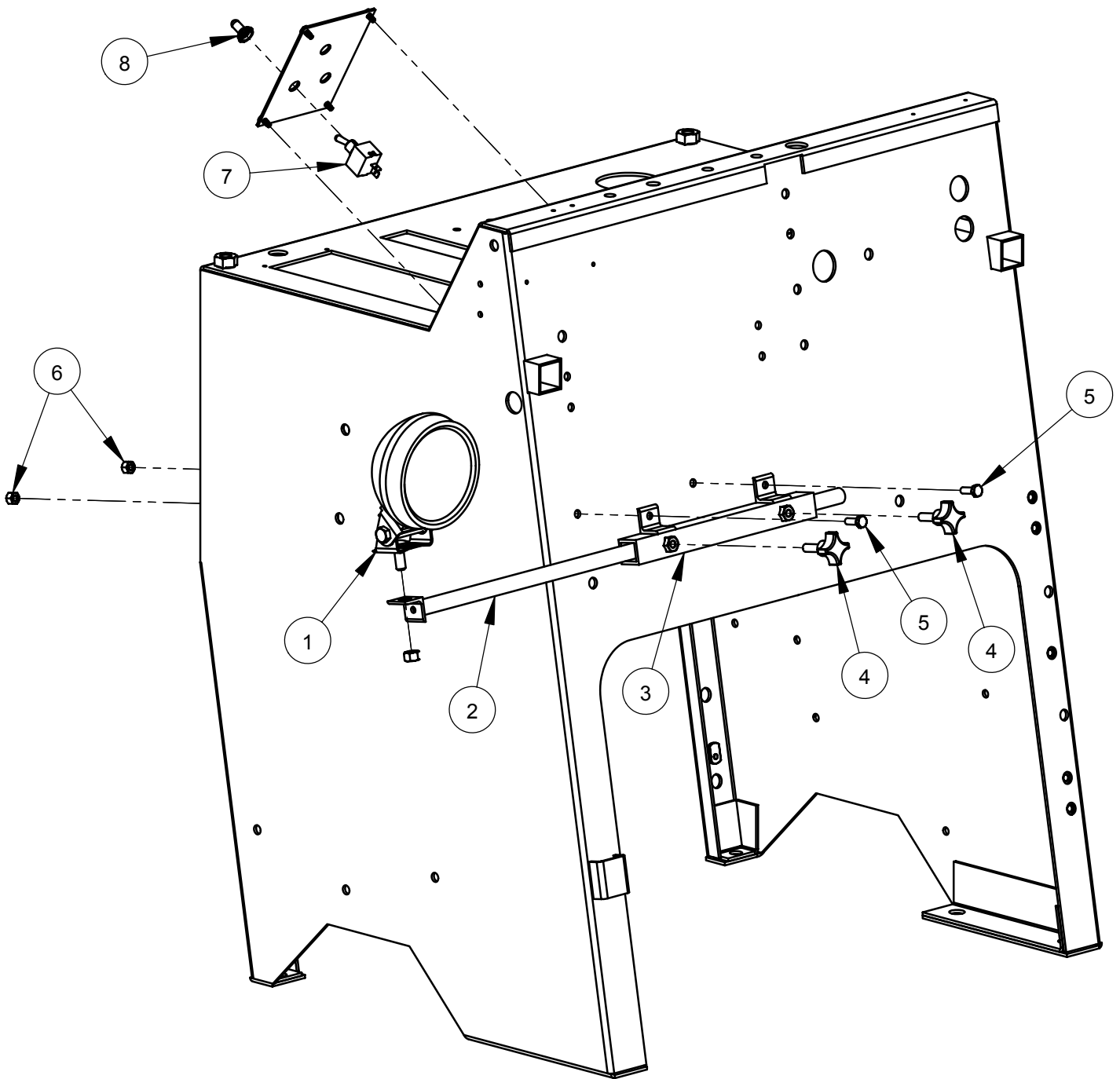


## Optional Water Safety Switch Assembly #6010522



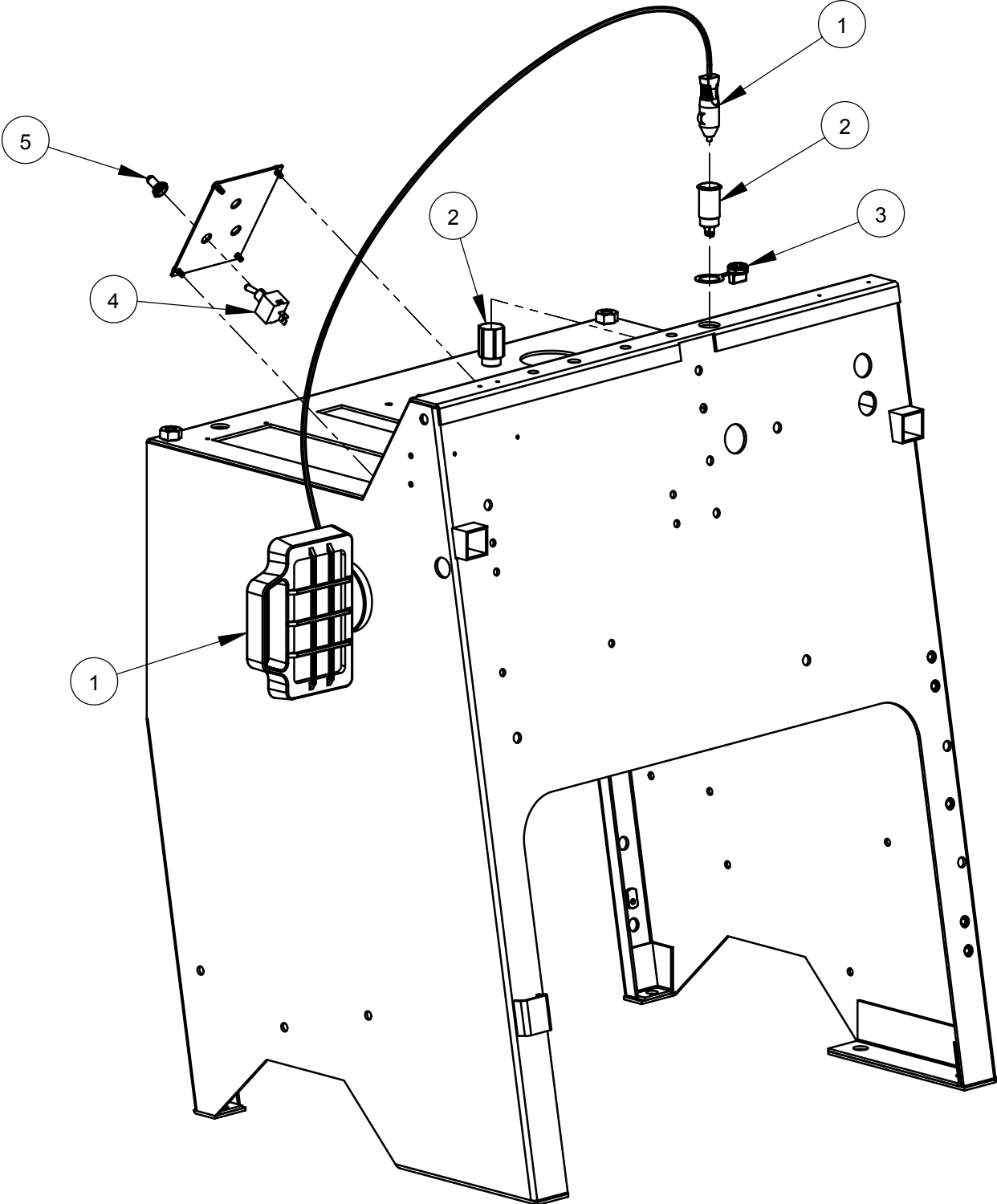
ITEM	PART NO.	QTY.	DESCRIPTION
1	2800060	1	Water Pressure Safety Switch
2	2800062	1	Toggle Switch
3	2800063	1	Switch Boot
4	2800144	1	Relay
5	2800263	1	Relay Connector

## Optional Spot Light Assembly #6010112



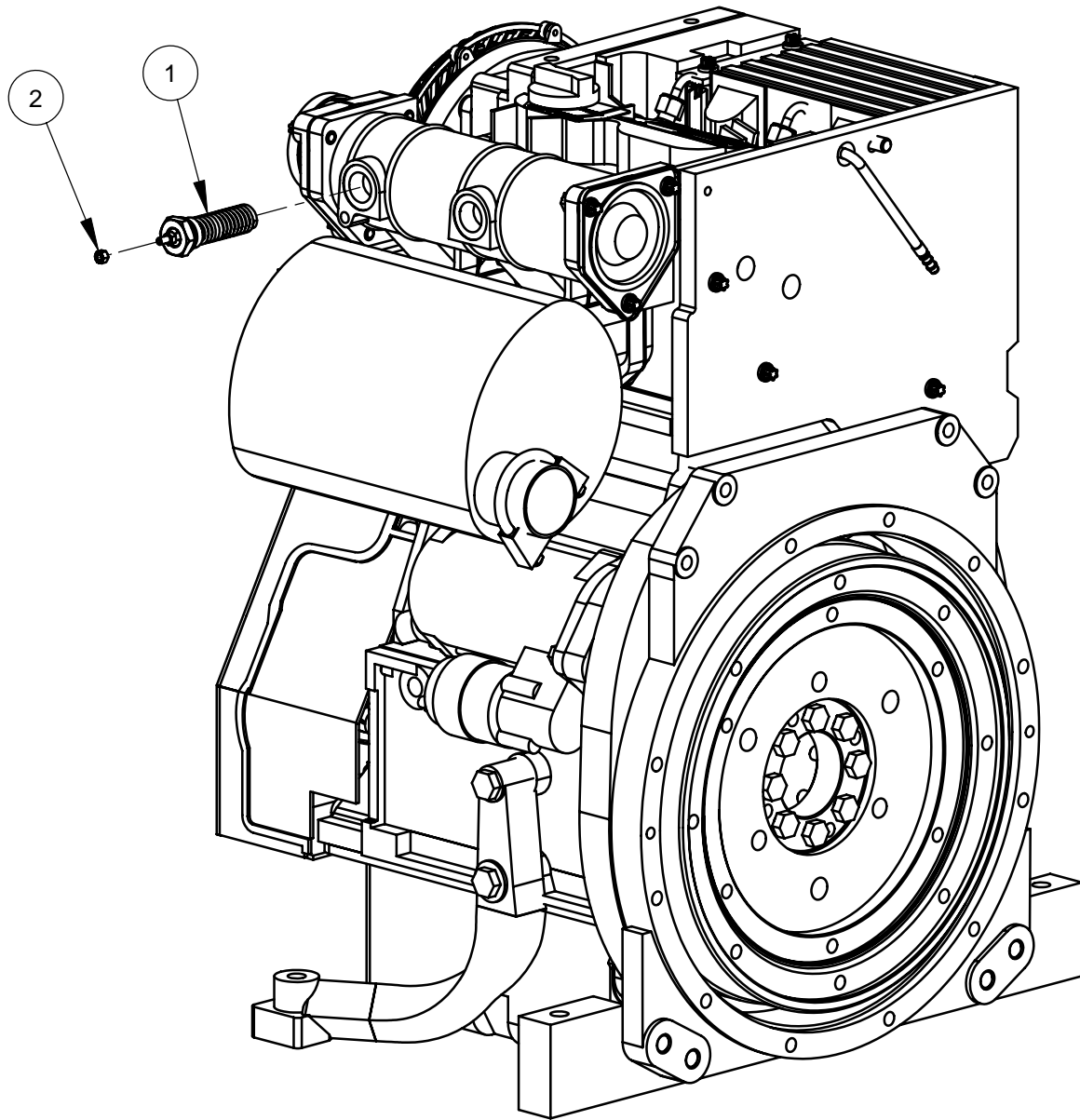
ITEM	PART NO.	QTY.	DESCRIPTION
1	2500194	1	Spot Light, 12 Volt
2	6010106	1	Light Bar
3	6010107	1	Light Bar Mount Bracket
4	2400157	2	Hand Lock Knob, 5/16-18 x 1"
5	2900144	2	Cap Screw, Hex Hd., 1/4-20 x 3/4"
6	2900010	2	Lock Nut, 1/4-20 Nylon
7	2800062	1	Toggle Switch
8	2800063	1	Switch Boot

**Optional Magentic Spot Light Assembly #6011170**



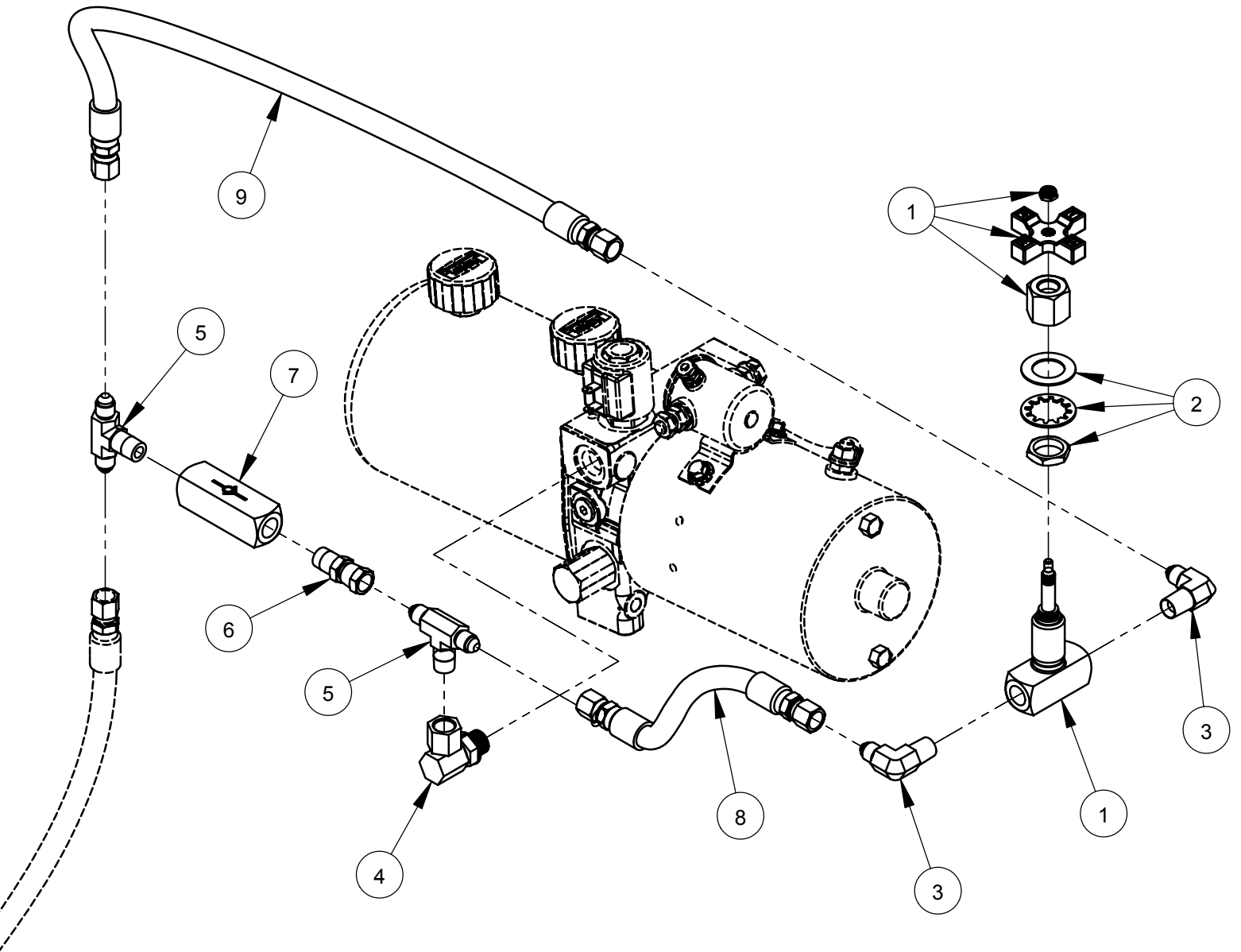
ITEM	PART NO.	QTY.	DESCRIPTION
1	2501087	1	Light, 12V Magnetic Base
2	2800374	1	Outlet, 12 Volt Power
3	2800375	1	Cap, 12 Volt Power Outlet
4	2800062	1	Toggle Switch
5	2800063	1	Switch Boot

## Optional Glow Plug Assembly #6010596



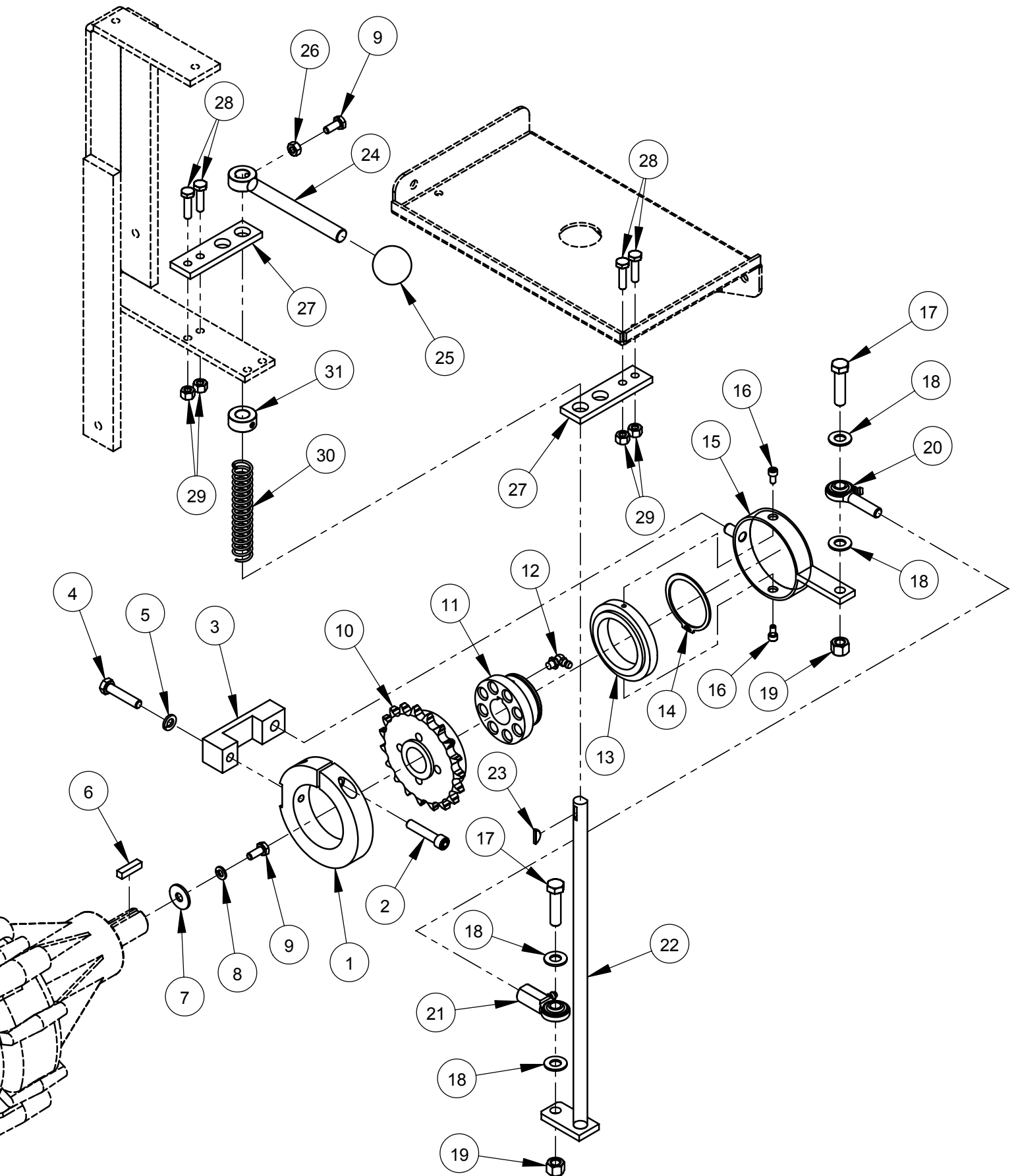
ITEM	PART NO.	QTY.	DESCRIPTION
1	2701698	1	Glow Plug
2	2900301	1	Lock Nut, M5 Nylon

## Optional Lowering Speed Metering Valve Assembly #6010227



ITEM	PART NO.	QTY.	DESCRIPTION
1	3200211	1	Valve, 1/4" Metering
2	3200212	1	Panel Mounting Kit
3	3200057	2	Elbow, 1/4" M. Pipe to 1/4" M. JIC
4	3200115	1	Elbow, 3/8" O-Ring to 1/4" F. Pipe
5	3200213	2	Tee, 1/4" M. JIC to 1/4" M. Pipe
6	3200219	1	Adapter, 1/4" M. Pipe to 1/4" F. JIC
7	3200218	1	Check Valve
8	6010247	1	Hose Assembly, 8" Long
9	6010248	1	Hose Assembly, 20" Long

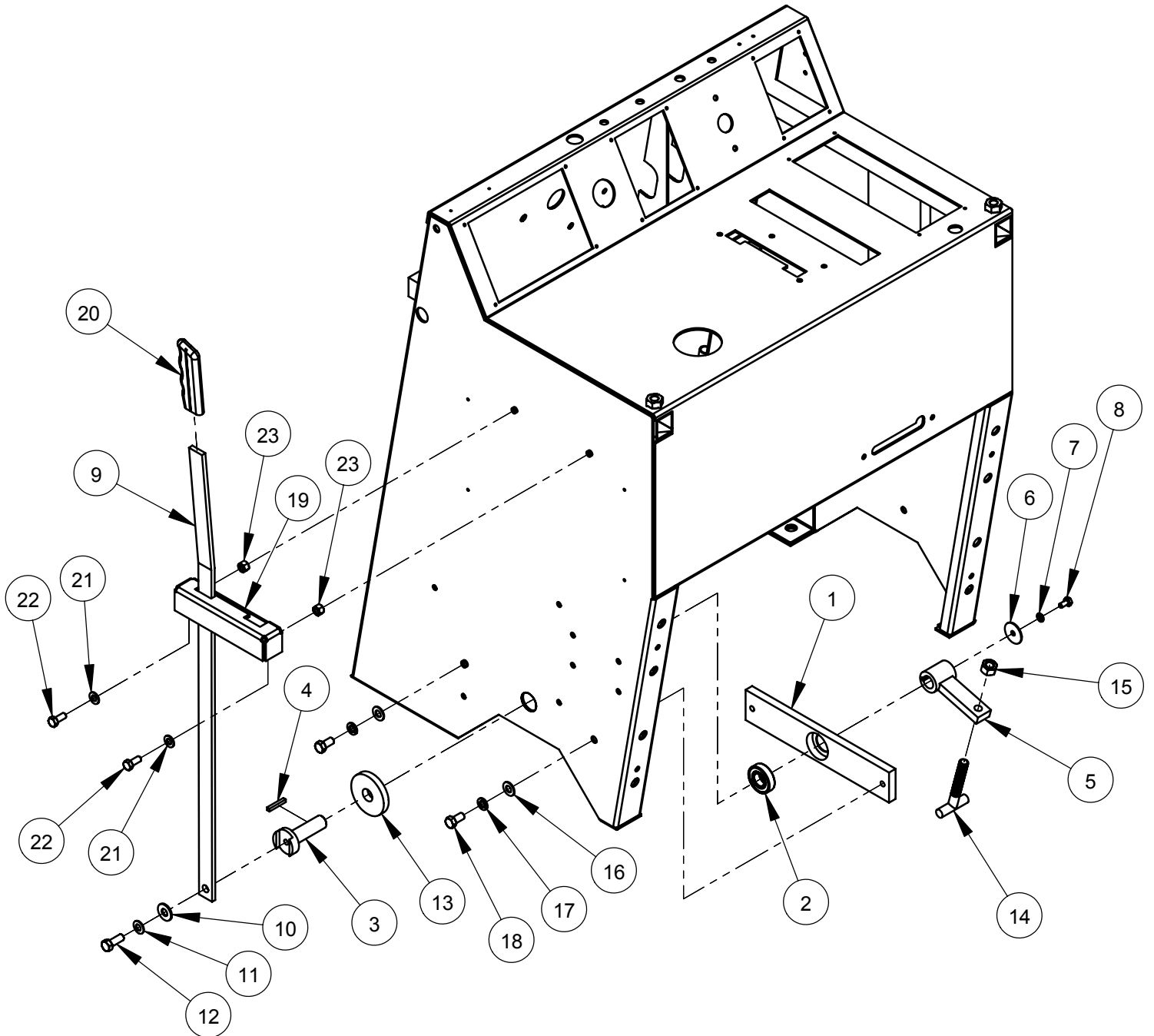
# Optional Free Wheeling Clutch Assembly #6010179 (Sundstrand)



## Optional Free Wheeling Clutch Assembly #6010179 (Sundstrand)

ITEM	PART NO.	QTY.	DESCRIPTION
1	6011043	1	Clutch Clamp
2	2900233	1	Cap Screw, Soc. Hd., 5/16-18 x 1-1/2"
3	6011044	1	Clutch Brace
4	2900508	1	Cap Screw, Hex Hd., 5/16-18 x 1-1/2"
5	2900031	1	Lock Washer, 5/16" Split
6	6011089	1	Key, 1/4" Sq. x 1" Long
7	2900383	1	Fender Washer, M8
8	2900024	1	Lock Washer, 1/4" Split
9	2900023	2	Cap Screw, Hex Hd., 1/4-20 x 5/8"
10	6012055	1	Clutch Sprocket Assembly, 19 Tooth
11	6011088	1	Clutch Hub
12	2900061	1	Grease Fitting, 1/4-28 x 90 Degree
13	6011041	1	Clutch Ring with Bearing
14	2500374	1	Retaining Ring, 2" External
15	6011042	1	Clutch Yoke
16	2900117	2	Cap Screw, Soc. Hd., #10-24 x 3/8"
17	2900029	2	Cap Screw, Hex Hd., 3/8-16 x 1-1/2"
18	2900014	4	Flat Washer, 3/8" SAE
19	2900018	2	Lock Nut, 3/8-16 Nylon
20	2500886	1	Rod End, 3/8-24 Male
21	2500152	1	Rod End, 3/8-24 Female
22	6011050	1	Engagement Lever
23	2900063	1	Woodruff Key #405, 1/8" x 5/8"
24	6011051	1	Engagement Handle
25	2400007	1	Knob, 1/2-20 x 1-3/8" Dia.
26	2900125	1	Hex Nut, 1/4-20
27	6011099	2	Lever Guide
28	2900008	4	Cap Screw, Hex Hd., 1/4-20 x 1"
29	2900010	4	Lock Nut, 1/4-20 Nylon
30	2500375	1	Compression Spring
31	2500007	1	Set Collar, 1/2" with Set Screw

# Optional Parking Brake Assembly #6011228

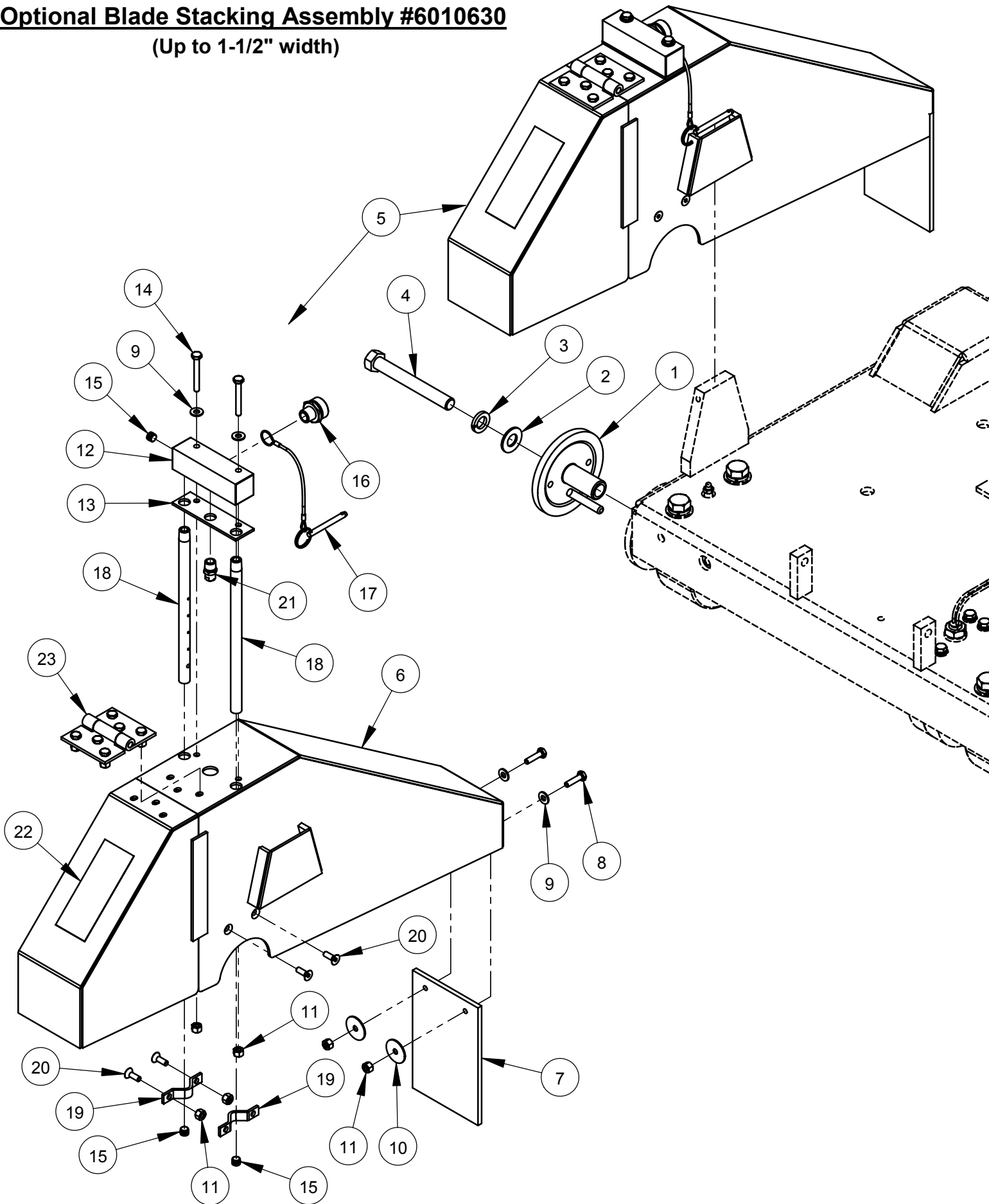




## Optional Parking Brake Assembly #6011228

ITEM	PART NO.	QTY.	DESCRIPTION
1	6011229	1	Bearing Housing Bar
2	2501664	1	Ball Bearing, 3/4" x 1-5/8" x 7/16"
3	6011230	1	Pivot Pin
4	6048229	1	Key, 3/16" Sq. x 1-1/4"
5	6011231	1	Pivot Arm
6	2900083	1	Fender Washer, 1/4" x 1-1/4"
7	2900024	1	Lock Washer, 1/4" Split
8	2900082	1	Cap Screw, Hex Hd., 1/4-20 x 1/2"
9	6011232	1	Brake Lever
10	2900473	1	Flat Washer, 3/8" USS
11	2900474	1	Belleville Washer, 3/8"
12	2900005	1	Cap Screw, Hex Hd., 3/8-16 x 1"
13	6011234	1	Friction Washer, 3/4" x 2-1/2" x 3/8"
14	2900632	1	T-Bolt, 1/2-13
15	2900037	1	Hex Nut, 1/2-13
16	2900014	2	Flat Washer, 3/8" SAE
17	2900006	2	Lock Washer, 3/8" Split
18	2900196	2	Cap Screw, Hex Hd., 3/8-16 x 3/4"
19	6011233	1	Lever Gate
20	2500002	1	Lever Grip
21	2900022	2	Flat Washer, 5/16" SAE
22	2900019	2	Cap Screw, Hex Hd., 5/16-18 x 3/4"
23	2900039	2	Lock Nut, 5/16-18 Nylon

**Optional Blade Stacking Assembly #6010630**  
(Up to 1-1/2" width)

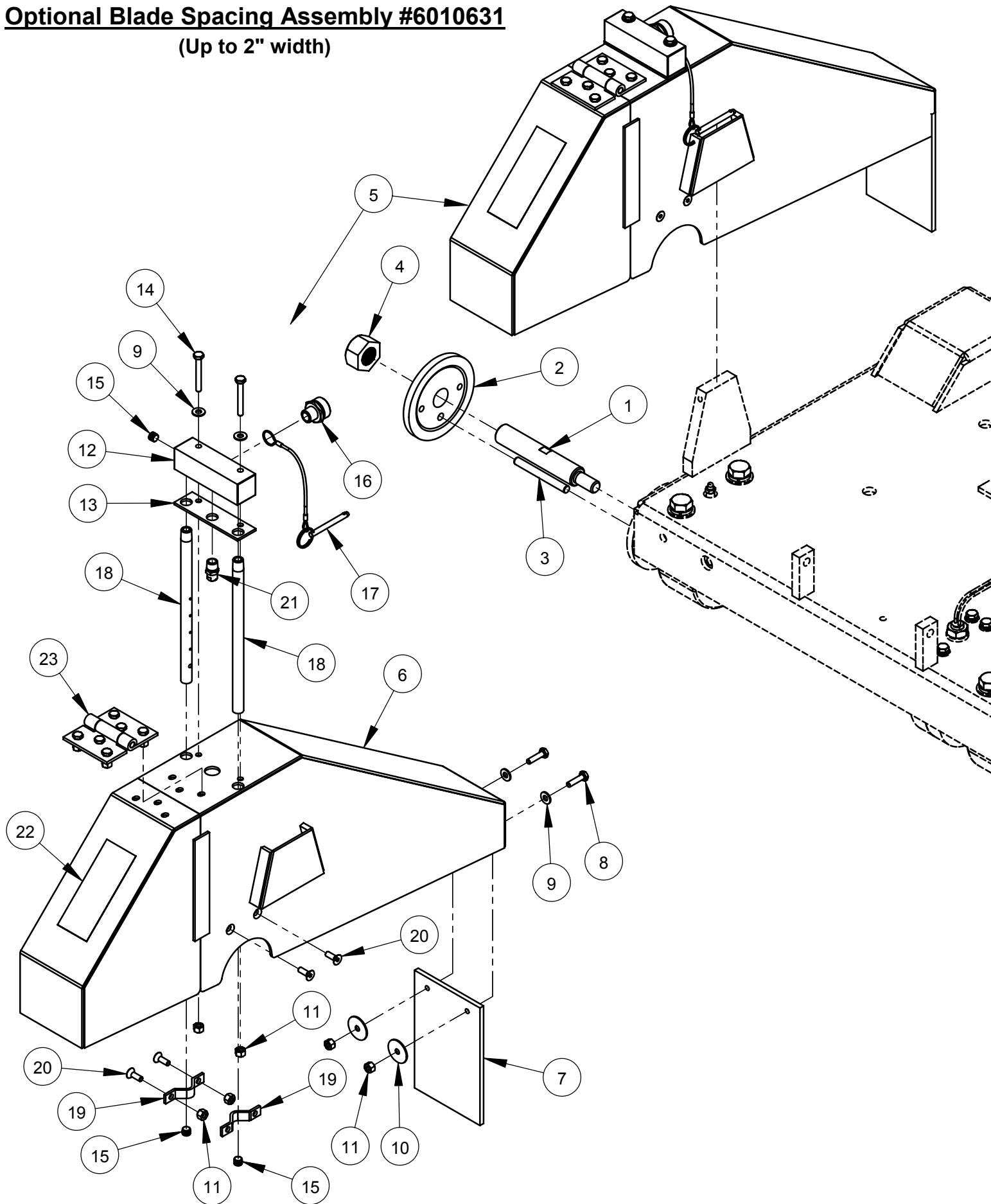


**Optional Blade Stacking Assembly #6010630**  
**(Up to 1-1/2" width)**

ITEM	PART NO.	QTY.	DESCRIPTION
1	6010159	1	Outer Flange 4-1/2" with Pin
2	2900002	1	Flat Washer, 5/8" SAE
3	2900113	1	Lock Washer, 5/8" Split
4	2900210	1	Cap Screw, Hex Hd., 5/8"-11 x 5" LH
5	6010620	1	20" Wide Blade Guard Assembly

ITEM	PART NO.	QTY.	DESCRIPTION
6	6010621	1	20" Wide Blade Guard Front & Rear Only
7	6010296	1	Splash Flap
8	2900008	2	Cap Screw, Hex Hd., 1/4-20 x 1"
9	2900009	4	Flat Washer, 1/4" SAE
10	2900083	2	Fender Washer, 1/4" x 1-1/4"
11	2900010	8	Lock Nut, 1/4-20 Nylon
12	6010288	1	Water Manifold
13	2500988	1	Water Manifold Gasket
14	2900294	2	Cap Screw, Hex Hd., 1/4-20 x 2"
15	3200001	3	Plug, 1/8" NPT
16	3200002	1	Fitting, 3/8" M. Pipe to 3/4" M. Garden
17	2900278	1	Lanyard with Lock Pin
18	6010085	2	Water Tube for 20" Guard
19	6048155	2	Water Tube Clamp
20	2900020	4	Cap Screw, Flat Hd., 1/4-20 x 3/4"
21	3200208	1	Nozzle, 1/4" NPT
22	1800001	1	Warning Label
23	6010251	1	Hinge Assembly for 20" Guard

**Optional Blade Spacing Assembly #6010631**  
(Up to 2" width)

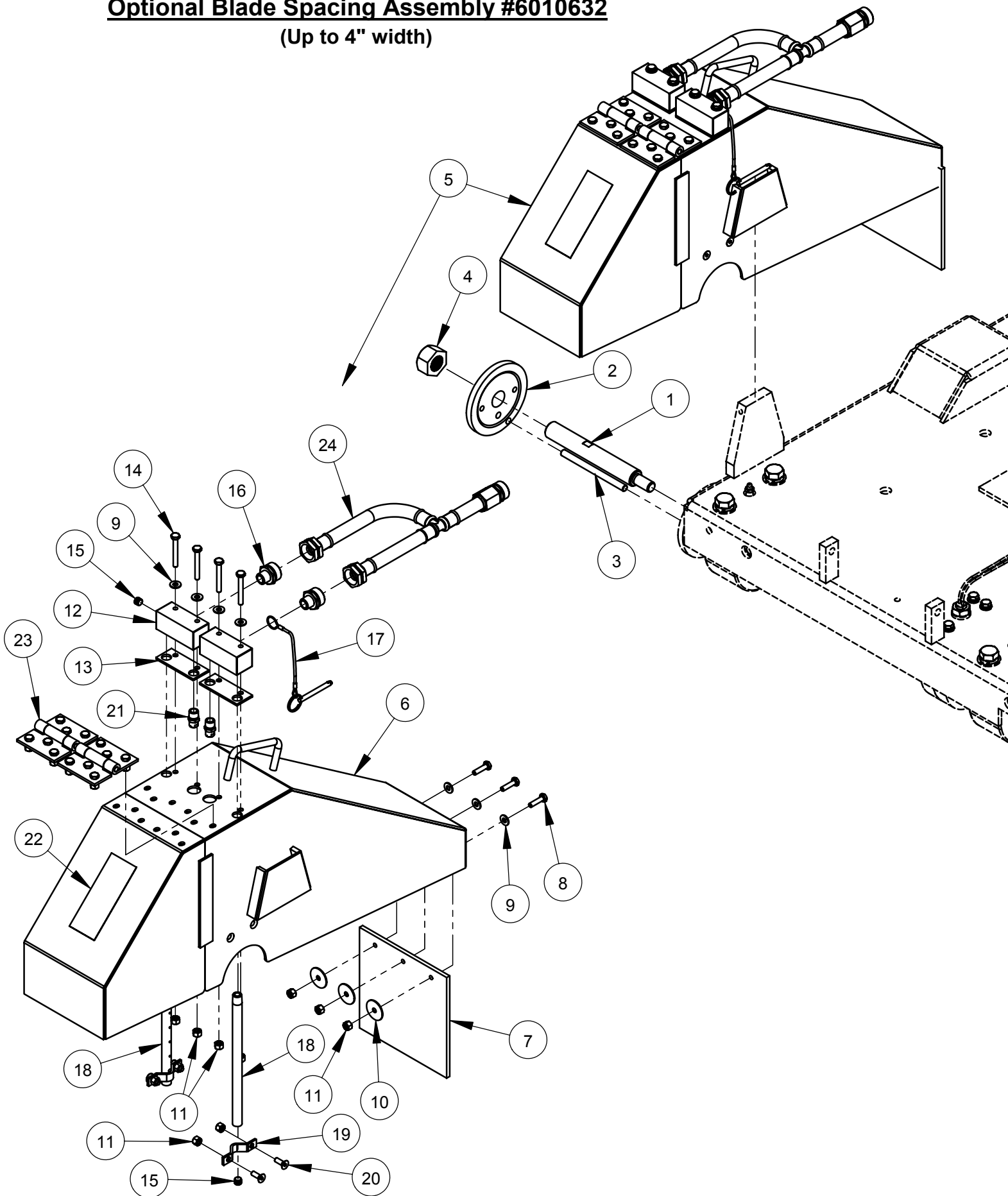


**Optional Blade Spacing Assembly #6010631**  
**(Up to 2" width)**

ITEM	PART NO.	QTY.	DESCRIPTION
1	6010186	1	Blade Shaft Extension, Left Hand Thread
2	6010187	1	Outer Flange 4-1/2"
3	2900218	1	Dowel Pin, 3/8" Dia. x 3-1/2"
4	2900212	1	Hex Nut, 1"-14 Left Hand
5	6010620	1	20" Wide Blade Guard Assembly

ITEM	PART NO.	QTY.	DESCRIPTION
6	6010621	1	20" Wide Blade Guard Front & Rear Only
7	6010296	1	Splash Flap
8	2900008	2	Cap Screw, Hex Hd., 1/4-20 x 1"
9	2900009	4	Flat Washer, 1/4" SAE
10	2900083	2	Fender Washer, 1/4" x 1-1/4"
11	2900010	8	Lock Nut, 1/4-20 Nylon
12	6010288	1	Water Manifold
13	2500988	1	Water Manifold Gasket
14	2900294	2	Cap Screw, Hex Hd., 1/4-20 x 2"
15	3200001	3	Plug, 1/8" NPT
16	3200002	1	Fitting, 3/8" M. Pipe to 3/4" M. Garden
17	2900278	1	Lanyard with Lock Pin
18	6010085	2	Water Tube for 20" Guard
19	6048155	2	Water Tube Clamp
20	2900020	4	Cap Screw, Flat Hd., 1/4-20 x 3/4"
21	3200208	1	Nozzle, 1/4" NPT
22	1800001	1	Warning Label
23	6010251	1	Hinge Assembly for 20" Guard

**Optional Blade Spacing Assembly #6010632**  
(Up to 4" width)

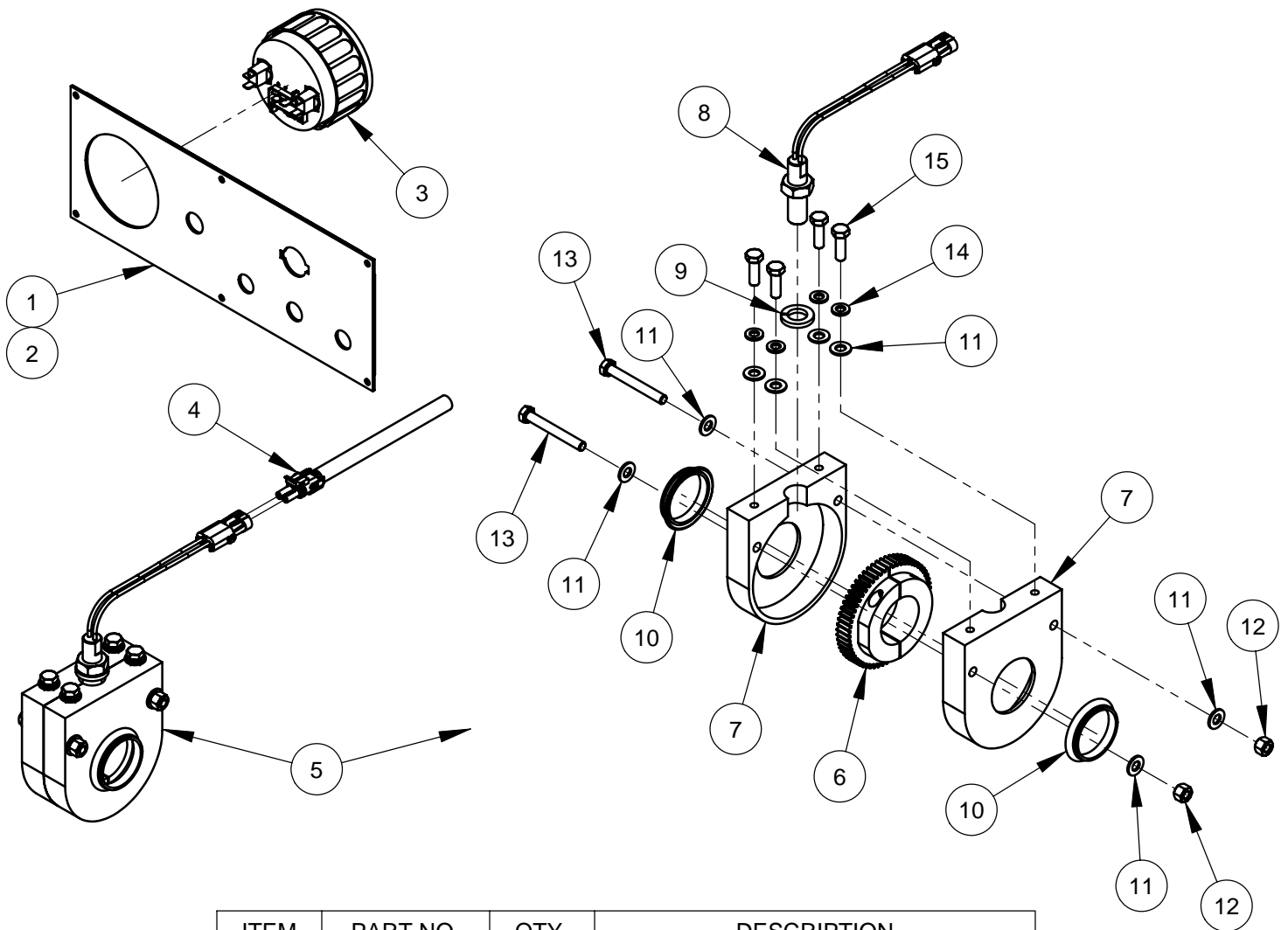


**Optional Blade Spacing Assembly #6010632**  
**(Up to 4" width)**

ITEM	PART NO.	QTY.	DESCRIPTION
1	6010309	1	Blade Shaft Extension, Left Hand Thread
2	6010187	1	Outer Flange 4-1/2"
3	6010359	1	Drive Pin, 3/8" Dia. x 5"
4	2900212	1	Hex Nut, 1"-14 Left Hand
5	6010622	1	20" Wide Blade Guard Assembly

ITEM	PART NO.	QTY.	DESCRIPTION
6	6010623	1	20" Wide Blade Guard Front & Rear Only
7	6010366	1	Splash Flap
8	2900008	3	Cap Screw, Hex Hd., 1/4-20 x 1"
9	2900009	7	Flat Washer, 1/4" SAE
10	2900083	3	Fender Washer, 1/4" x 1-1/4"
11	2900010	11	Lock Nut, 1/4-20 Nylon
12	6048123	2	Water Manifold
13	2500829	2	Water Manifold Gasket
14	2900294	4	Cap Screw, Hex Hd., 1/4-20 x 2"
15	3200001	4	Plug, 1/8" NPT
16	3200002	2	Fitting, 3/8" M. Pipe to 3/4" M. Garden
17	2900278	1	Lanyard with Lock Pin
18	6010085	2	Water Tube for 20" Guard
19	6048155	2	Water Tube Clamp
20	2900020	4	Cap Screw, Flat Hd., 1/4-20 x 3/4"
21	3200208	2	Nozzle, 1/4" NPT
22	1800001	1	Warning Label
23	6010251	2	Hinge Assembly for 20" Guard
24	6010588	1	Hose Assembly, Dual Inlet

## Optional Shaft Tachometer Assembly #6012168



ITEM	PART NO.	QTY.	DESCRIPTION
1	6012042	1	Gauge Panel
2	1800948	1	Blade RPM Decal
3	6010416	1	Tach/Hour Meter (VDO) Calibrated
4	2800397	1	Tach Sensor Wire Harness
5	6011421	1	Shaft Tach Gear Assembly

ITEM	PART NO.	QTY	DESCRIPTION
6	6010230	1	Shaft Tach Gear, Split
7	6010669	2	Shaft Tach Gear Guard
8	2800169	1	Magnetic Sensor w/Jam Nut
9	2900113	1	Lock Washer, 5/8" Split
10	2501752	2	Seal, 1-3/4" V-Ring
11	2900022	8	Flat Washer, 5/16" SAE
12	2900039	2	Lock Nut, 5/16-18 Nylon
13	2900726	2	Cap Screw, Hex Hd., 5/16-18 x 2-1/2"
14	2900031	4	Lock Washer, 5/16" Split
15	2900138	4	Cap Screw, Hex Hd., 5/16-18 x 1"

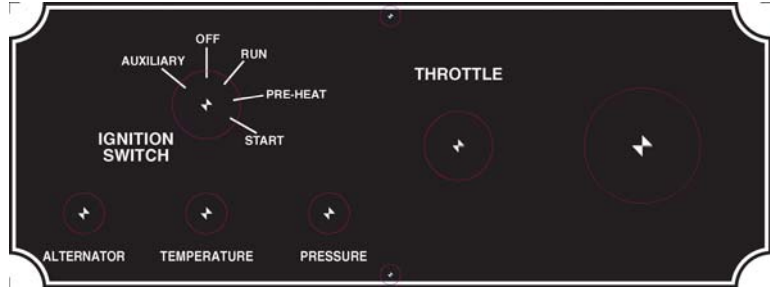


# Decal Group

# CORE CUT

# CC3700

CORE CUT DECAL  
#1800289 (Qty. 3)



INSTRUMENT PANEL DECAL  
#1800947

**DIAMOND PRODUCTS CORE CUT CC3700**  
333 PROSPECT STREET  
ELYRIA, OHIO 44035 USA  
PHONE 1-800-321-5336  
www.diamondproducts.com

CC3728 RPM CHART						
BLADE SIZE	BLADE RPM	BLADESHAFT SHEAVE	ENGINE SHEAVE	ENGINE RPM	FLANGE SIZE	MAX CUT DEPTH
14"	3,000	3.65"	3.65"	3,000	4-1/2"	4-5/8"
20"	2,475	4.12"	3.65"	2,800	4-1/2"	7-5/8"
26"	1,900	4.12"	3.12"	2,500	4-1/2"	10-5/8"
30"	1,650	4.75"	3.12"	2,500	6"	11-3/4"
36"	1,400	4.75"	3.12"	2,150	6"	14-3/4"

**WARNING**  
Always check the bladeshaft RPM before mounting blade.  
Only use blades with a rated speed higher than the bladeshaft speed.  
Never exceed the maximum RPM stamped on blade. Overriding the blade can cause blade breakage and serious personal injury.  
When changing blade size, always adjust bladeshaft RPM according to the speed chart to match recommended blade RPM.  
Do not use a blade flange size smaller than indicated for each blade.  
Never operate saw without the blade guard in place or allow rotating blade exposure to exceed 180 degrees.  
Never stand in line with the blade path when starting or operating saw.  
Never use damaged blades or equipment.  
Refer to operator's manual for additional information about safety, operation and maintenance.

**ADVERTENCIA**  
Siempre cheque el número de RPM del eje de la hoja de corte antes de montar la hoja.  
Solo use hojas de corte con una velocidad nominal superior a la velocidad del eje de la hoja.  
Nunca exceda la velocidad máxima RPM marcada en la hoja de corte. Exceder la velocidad puede causar rotura de la hoja y lesiones personales graves.  
Al cambiar el tamaño de la hoja, siempre ajuste la velocidad del eje de la hoja de corte de acuerdo al gráfico de velocidad para coincidir con la velocidad recomendada de la hoja.  
No use un tamaño de flange de la hoja menor que el indicado para cada hoja.  
Nunca opere la sierra sin el guardablanco en su lugar o permita la exposición de la hoja de corte a más de 180 grados.  
Nunca se quede en línea con el camino de la hoja al iniciar o operar la sierra.  
Nunca use hojas de corte dañadas o equipo.  
Consulte el manual del operador para obtener información adicional sobre seguridad, funcionamiento y mantenimiento.  
Referirse al manual del operador para obtener información adicional sobre seguridad, funcionamiento y mantenimiento.

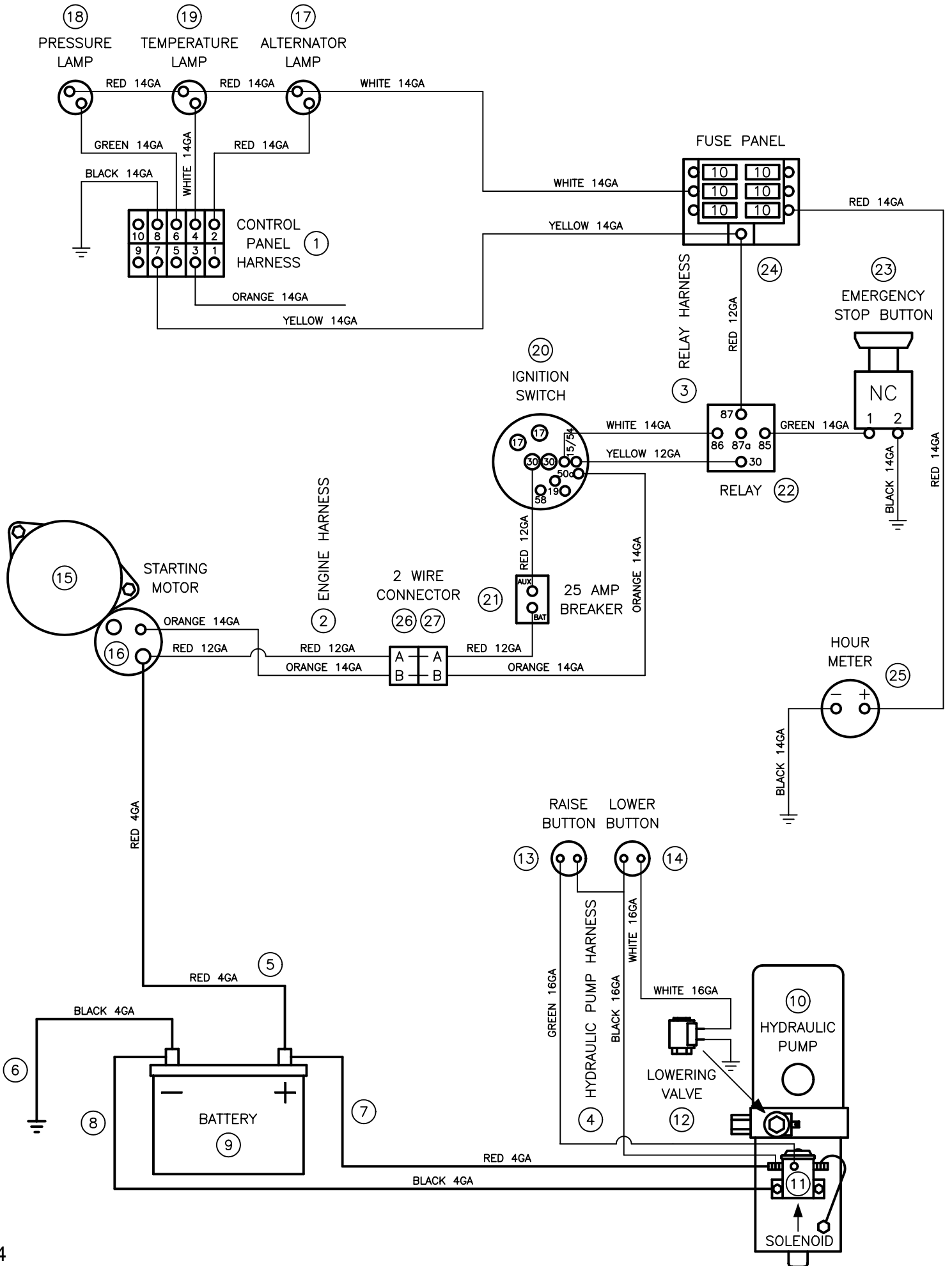
RPM CHART DECAL  
#1800582

**WARNING**  
DO NOT OPERATE SAW WITHOUT PROPER TRAINING & FULL UNDERSTANDING OF THE OWNERS MANUAL.  
WHEN OPERATING THIS MACHINE KEEP ALL GUARDS IN PLACE.  
ALWAYS WEAR SAFETY APPROVED:  
HEARING PROTECTION  
EYE OR FACE PROTECTION  
HEAD PROTECTION  
RESPIRATOR  
S.M.I. MASONRY AND CONCRETE SAW MANUFACTURERS INSTITUTE ©

WARNING DECAL  
#1800001

SAW LABELS SHEET  
#1800351

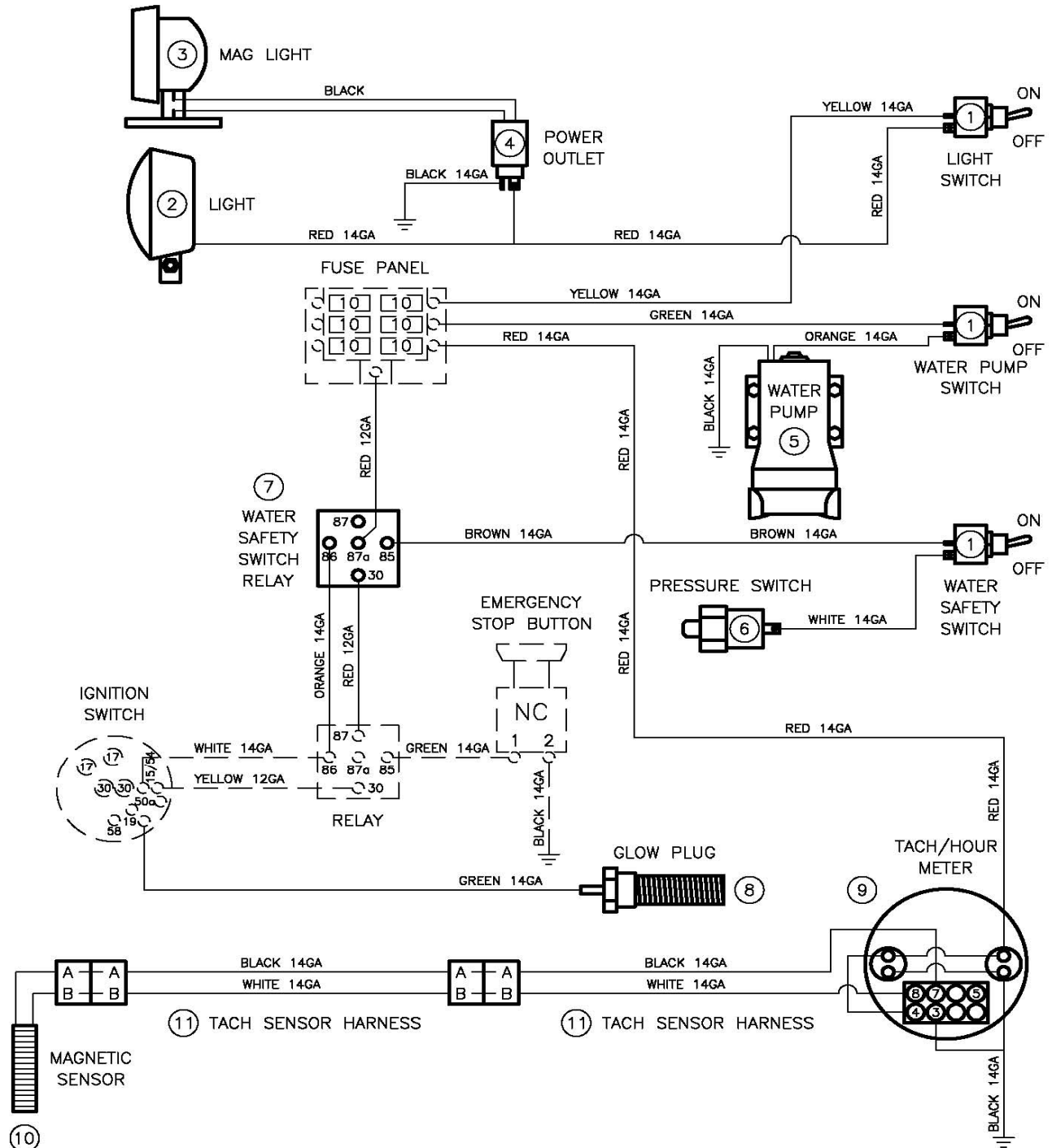
# Wiring Diagram



## Wiring Diagram

Item	Part No.	Qty.	Description	Item	Part No.	Qty.	Description
1	2800396	1	Control Panel Harness	20	2703194	1	Ignition Switch & Key
2	2800429	1	Engine Harness (Includes #26 & #27)		2703195	1	(Ignition Key Only)
3	2800392	1	Relay Harness	21	2800387	1	Circuit Breaker, 25 Amp
4	2800393	1	Hydraulic Pump Harness		2800364	1	Circuit Breaker Boot, Red
5	2800073	1	Battery Cable, Positive (Red)	22	2800144	1	Relay
6	2800072	1	Battery Cable, Negative (Black)		2800263	1	Relay Connector
7	2800095	1	Solenoid Cable, Positive (Red)		2800264	4	Wire Terminal, 1/4" Push-on
8	2800182	1	Ground Cable, Negative (Black)	23	2800461	1	Emergency Stop Button
9	2700208	1	Battery, 12 Volt Group Size 34		2800462	1	Contact Block N.C.
10	2600070	1	Hydraulic Pump Unit (Includes #11 & #12)	24	2800388	1	Fuse Panel, 6 Circuit
11	2700169	1	Solenoid, Motor		2800389	6	Fuse, 10 Amp Red ATO/ATC
12	2700243	1	Valve Coil	25	2800064	1	Hour Meter
	2700244	1	Valve Stem	26	2800145	1	Connector, 2 Wire Shroud
13	2800372	1	Pushbutton Switch, Raise		2800114	1	Male Terminal, 14/16 Gage Wire
14	2800373	1	Pushbutton Switch, Lower		2800112	1	Male Terminal, 12 Gage Wire
15	2702274	1	Starting Motor (Includes #16)		2800174	1	Cable Seal, Gray
16	2701823	1	Solenoid Switch		2800175	1	Cable Seal, Blue
17	2700785	1	Alternator Light	27	2800146	1	Connector, 2 Wire Tower
	2700923	1	(Bulb Only)		2800115	1	Female Terminal, 14/16 Gage Wire
18	2700786	1	Oil Pressure Light		2800113	1	Female Terminal, 12 Gage Wire
	2700923	1	(Bulb Only)		2800174	1	Cable Seal, Gray
19	2700787	1	Oil Temperature Light		2800175	1	Cable Seal, Blue
	2700923	1	(Bulb Only)				

# Options Wiring Diagram



Item	Part No.	Qty.	Description	Item	Part No.	Qty.	Description
1	2800062	3	Toggle Switch	7	2800144	1	Relay
	2800063	3	Switch Boot		2800263	1	Relay Connector
2	2500194	1	Spot Light, 12 Volt		2800264	4	Wire Terminal, 1/4" Push-on
3	2501087	1	Magnetic Base Light, 12 Volt	8	2701698	1	Glow Plug
4	2800374	1	Power Outlet, 12 Volt	9	6010416	1	Tach/Hour Meter (VDO) Calibrated
	2800375	1	Outlet Cap		2800612	2	(Light Bulb, Wedge Base)
5	2600200	1	Water Pump, 12V Diaphragm	10	2800169	1	Magnetic Sensor
6	2800060	1	Water Pressure Safety Switch	11	2800397	1	Tach Sensor Harness





## Blade Speed Conversion Charts

**WARNING:** Do not exceed blade speed (RPM) shown for each blade size.  
Excessive blade speed could result in blade breakage and serious personal injury!

Blade Size	Blade Shaft		Engine		Max. Depth of Cut
	No Load RPM	Sheave Size	No Load RPM	Sheave Size	
14"	3,000	3.65"	3,000	3.65"	4-5/8"
20"	2,475	4.12"	2,800	3.65"	7-5/8"
26"	1,900	4.12"	2,500	3.12"	10-5/8"
30"	1,650	4.75"	2,500	3.12"	11-3/4"
36"	1,400	4.75"	2,150	3.12"	14-3/4"

**WARNING:** When changing blade size, use chart shown below for selecting items that must be changed.

Model CC3728	14"	20"	26"	30"	36"
Blade Guard Assembly	6010600	6010602	6010604	6010606	6010608
Engine Sheave, 1-3/4" Bore (Sheave Size)	6011009 (3.65")	6011009 (3.65")	6012005 (3.12")	6012005 (3.12")	6012005 (3.12")
Blade Shaft Sheave, 1-3/4" Bore (Sheave Size)	6011009 (3.65")	6011010 (4.12")	6011010 (4.12")	6012052 (4.75")	6012052 (4.75")
Inner Flanges (2) (Flange Size)	6010036 (4.5")	6010036 (4.5")	6010036 (4.5")	6010038 (6")	6010038 (6")
Outer Flange (Flange Size)	6010037 (4.5")	6010037 (4.5")	6010037 (4.5")	6010039 (6")	6010039 (6")
Skid Plate Mounting Holes	Bottom Set	Bottom Set	Bottom Set	Top Set	Top Set

## EQUIPMENT AND PARTS WARRANTY

Diamond Products warrants all equipment manufactured by it against defects in workmanship or materials for a period of one (1) year from the date of shipment to Customer.

The responsibility of Diamond Products under this Warranty is limited to replacement or repair of defective parts at Diamond Products' Elyria, Ohio factory, or at a point designated by it, of such parts as shall appear to us upon inspection at such parts, to have been defective in material or workmanship, with expense for transportation and labor borne by Customer.

In no event shall Diamond Products be liable for consequential or incidental damages arising out of the failure of any Product to operate properly.

Integral units such as engines, electric motors, batteries, transmissions, etc., are excluded from this Warranty and are subject to the prime manufacturer's warranty.

**THIS WARRANTY IS IN LIEU OF ALL OTHER WARRANTIES, EXPRESSED OR IMPLIED, AND ALL SUCH OTHER WARRANTIES ARE HEREBY DISCLAIMED.**



333 Prospect Street, Elyria, Ohio 44035  
(440) 323-4616 • (800) 321-5336 • Fax (440) 323-8689  
[www.diamondproducts.com](http://www.diamondproducts.com)