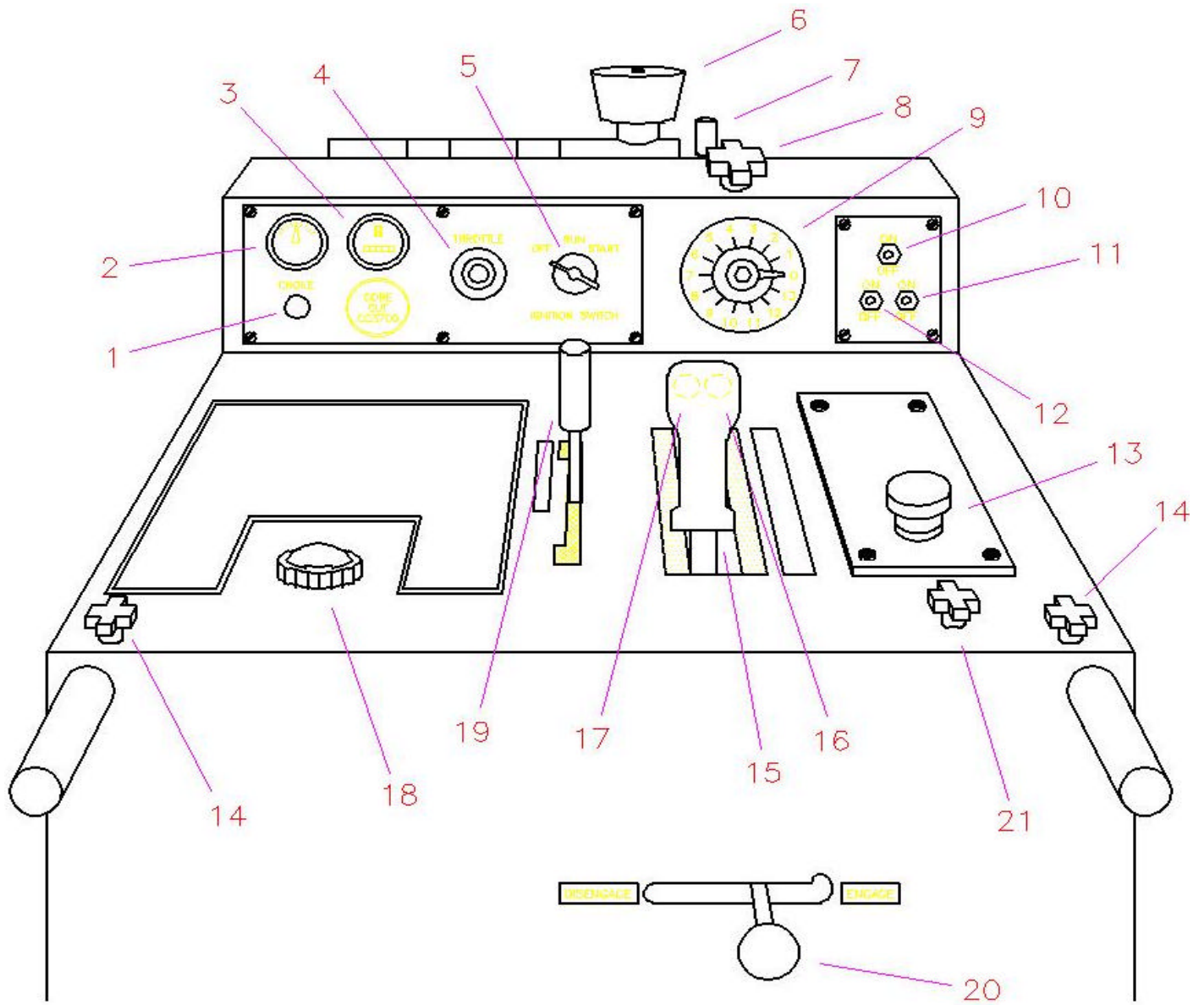


**DIAMOND  
PRODUCTS**

**CONCRETE SAW  
PARTS LIST**

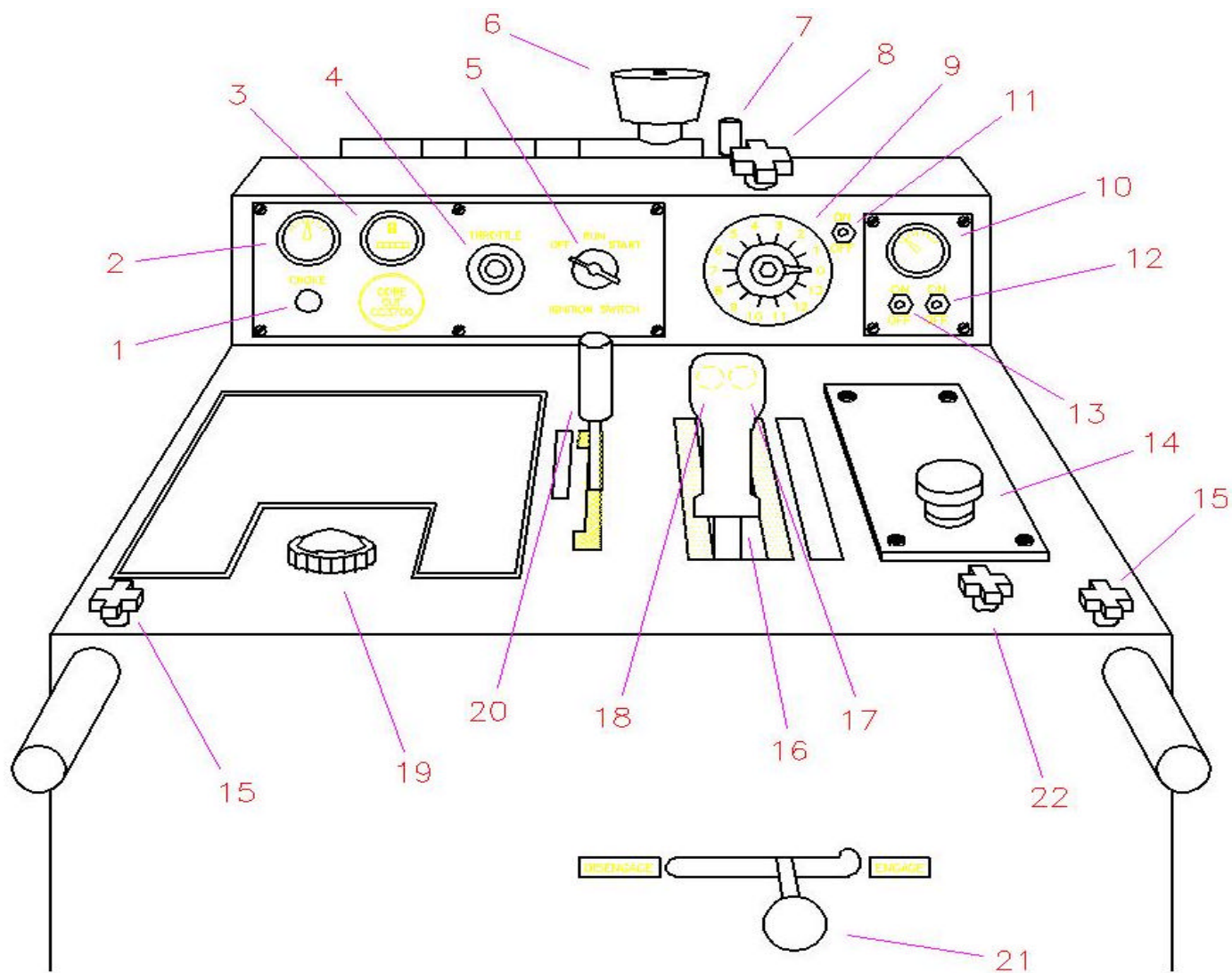
**MODEL  
CC3700**

(Revised 9-1-2000)



### CC3737 Saw Controls Legend

- |    |                                   |    |  |
|----|-----------------------------------|----|--|
| 1  | Choke Control                     | 12 | Water Pump Switch (Optional)             |
| 2  | Amp Meter                         | 13 | Emergency Stop Button                    |
| 3  | Hour Meter                        | 14 | Handle Lock Knobs                        |
| 4  | Vernier Throttle Control          | 15 | Speed Control Lever                      |
| 5  | Ignition Switch                   | 16 | Lower Pushbutton                         |
| 6  | Pre-Cleaner                       | 17 | Raise Pushbutton                         |
| 7  | Air Cleaner Restriction Indicator | 18 | Fuel Tank Cap                            |
| 8  | Depth Stop Knob                   | 19 | Transmission Engagement Lever *          |
| 9  | Cutting Depth Indicator           | 20 | Transmission Engagement Lever **         |
| 10 | Water Safety Switch (Optional)    | 21 | Lowering Speed Metering Valve (Optional) |
| 11 | Spotlight Switch (Optional)       |    |  |
- \* For Eaton Transmission Only  
 \*\* Optional for Sundstrand Transmission Only

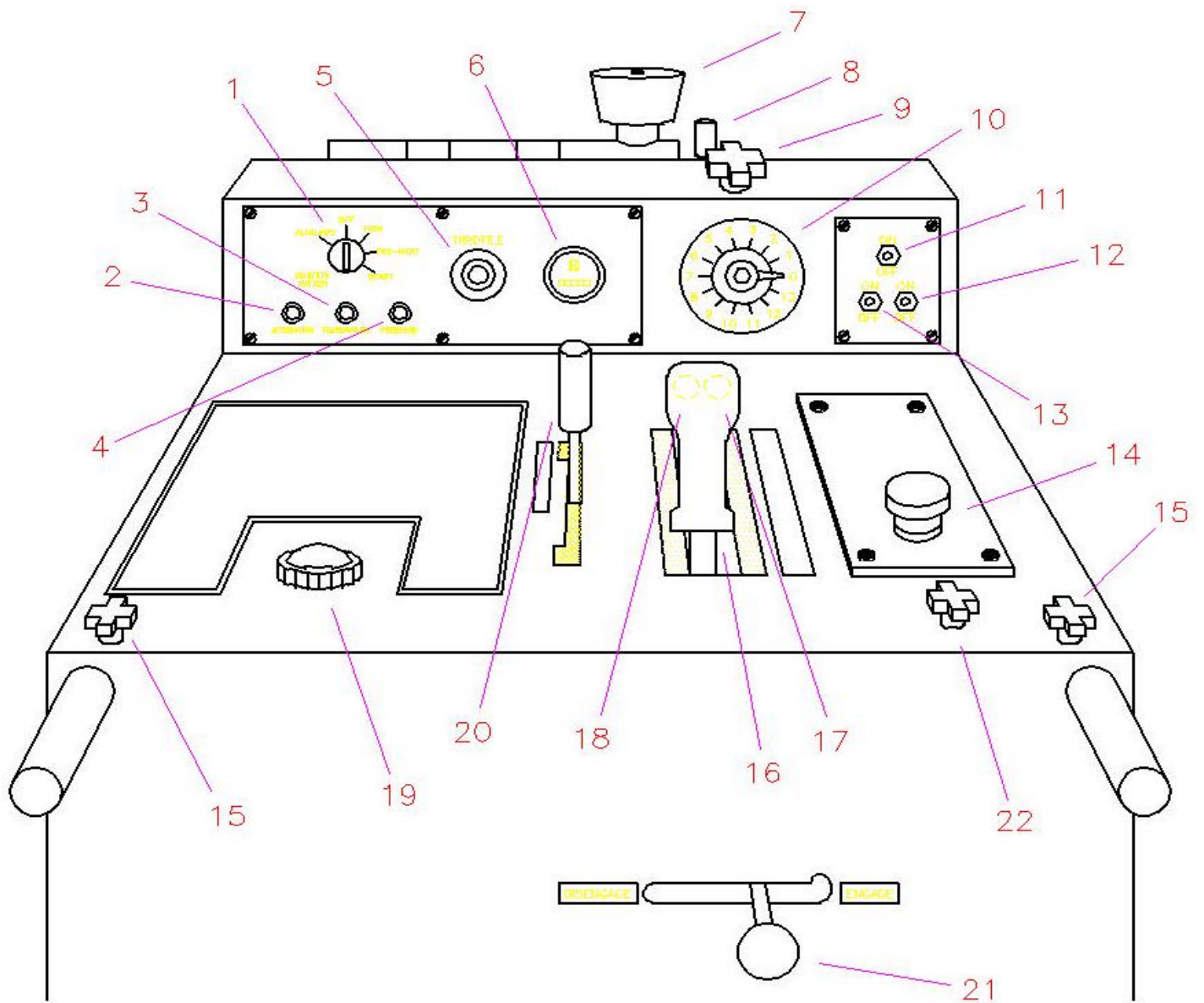


### CC3765 Saw Controls Legend

- |    |                                   |    |  |
|----|-----------------------------------|----|--|
| 1  | Choke Control                     | 12 | Spotlight Switch (Optional)              |
| 2  | Volt Meter                        | 13 | Water Pump Switch (Optional)             |
| 3  | Hour Meter                        | 14 | Emergency Stop Button                    |
| 4  | Vernier Throttle Control          | 15 | Handle Lock Knobs                        |
| 5  | Ignition Switch                   | 16 | Speed Control Lever                      |
| 6  | Pre-Cleaner                       | 17 | Lower Pushbutton                         |
| 7  | Air Cleaner Restriction Indicator | 18 | Raise Pushbutton                         |
| 8  | Depth Stop Knob                   | 19 | Fuel Tank Cap                            |
| 9  | Cutting Depth Indicator           | 20 | Transmission Engagement Lever *          |
| 10 | Oil Pressure Gauge                | 21 | Transmission Engagement Lever **         |
| 11 | Water Safety Switch (Optional)    | 22 | Lowering Speed Metering Valve (Optional) |

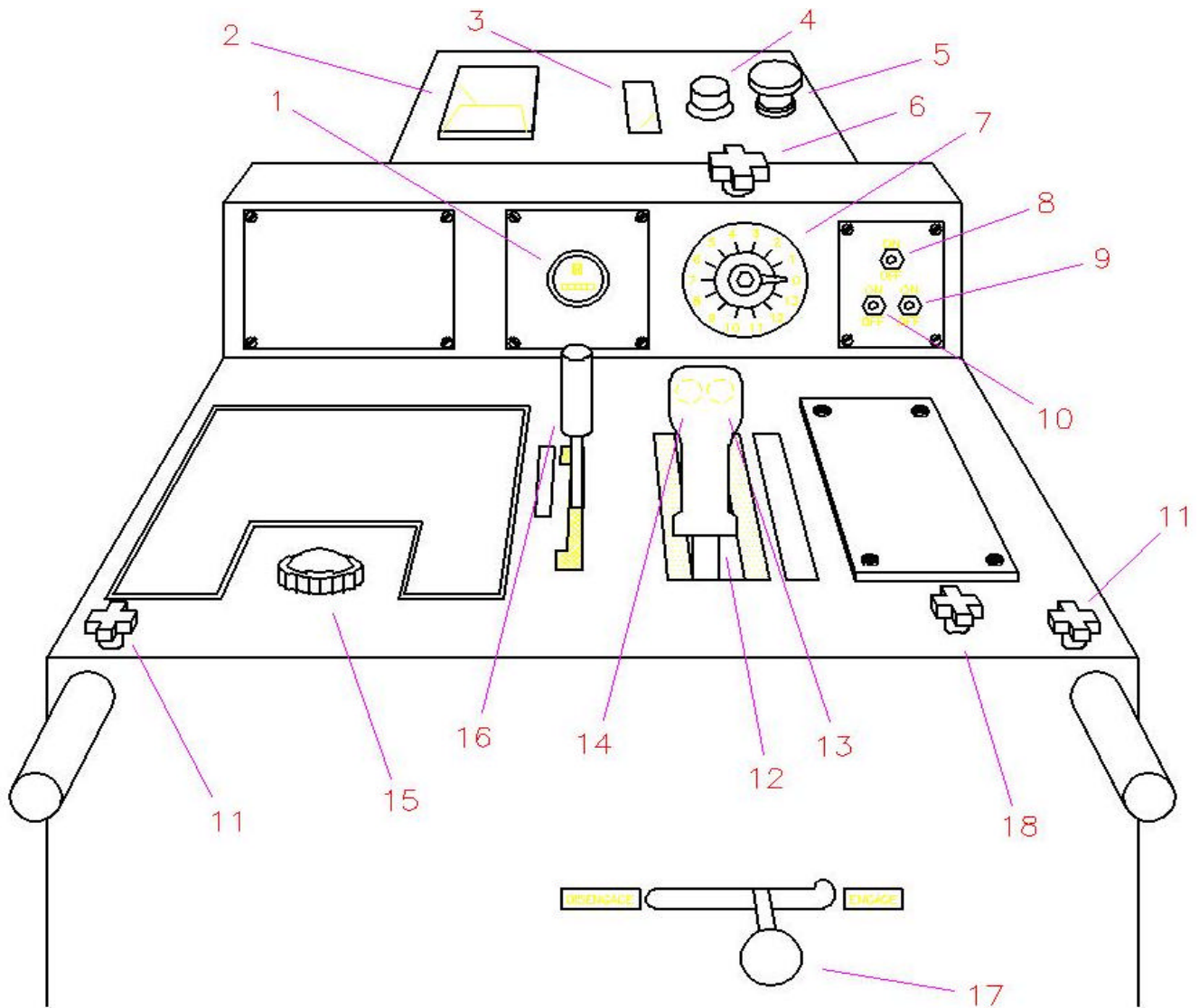
\* For Eaton Transmission Only

\*\* Optional for Sundstrand Transmission Only



### CC3728 Saw Controls Legend

- |    |                                   |    |  |
|----|-----------------------------------|----|--|
| 1  | Ignition Switch                   | 12 | Spotlight Switch (Optional)              |
| 2  | Alternator Light (Orange)         | 13 | Water Pump Switch (Optional)             |
| 3  | Oil Temperature Light (Red)       | 14 | Emergency Stop Button                    |
| 4  | Oil Pressure Light (Green)        | 15 | Handle Lock Knobs                        |
| 5  | Vernier Throttle Control          | 16 | Speed Control Lever                      |
| 6  | Hour Meter                        | 17 | Lower Pushbutton                         |
| 7  | Pre-Cleaner                       | 18 | Raise Pushbutton                         |
| 8  | Air Cleaner Restriction Indicator | 19 | Fuel Tank Cap                            |
| 9  | Depth Stop Knob                   | 20 | Transmission Engagement Lever *          |
| 10 | Cutting Depth Indicator           | 21 | Transmission Engagement Lever **         |
| 11 | Water Safety Switch (Optional)    | 22 | Lowering Speed Metering Valve (Optional) |
- \* For Eaton Transmission Only  
 \*\* Optional for Sundstrand Transmission Only

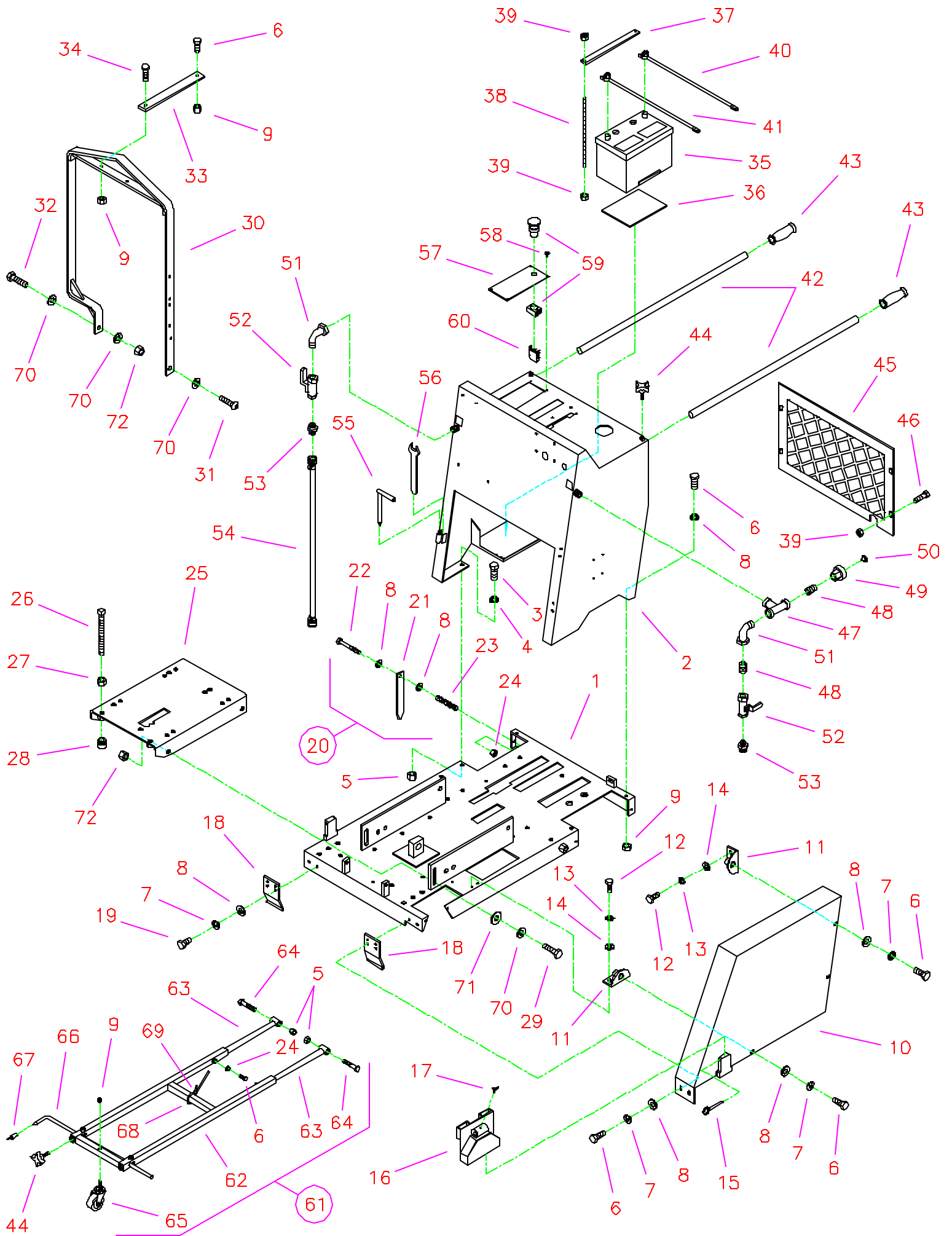


### CC3700E Saw Controls Legend

- |   |                                |    |  |
|---|--------------------------------|----|--|
| 1 | Hour Meter                     | 10 | Water Pump Switch (Optional)             |
| 2 | Amp Meter                      | 11 | Handle Lock Knobs                        |
| 3 | Battery Charge Meter           | 12 | Speed Control Lever                      |
| 4 | Motor Start Button             | 13 | Lower Pushbutton                         |
| 5 | Motor Stop Button              | 14 | Raise Pushbutton                         |
| 6 | Depth Stop Knob                | 15 | Fuel Tank Cap                            |
| 7 | Cutting Depth Indicator        | 16 | Transmission Engagement Lever *          |
| 8 | Water Safety Switch (Optional) | 17 | Transmission Engagement Lever **         |
| 9 | Spotlight Switch (Optional)    | 18 | Lowering Speed Metering Valve (Optional) |

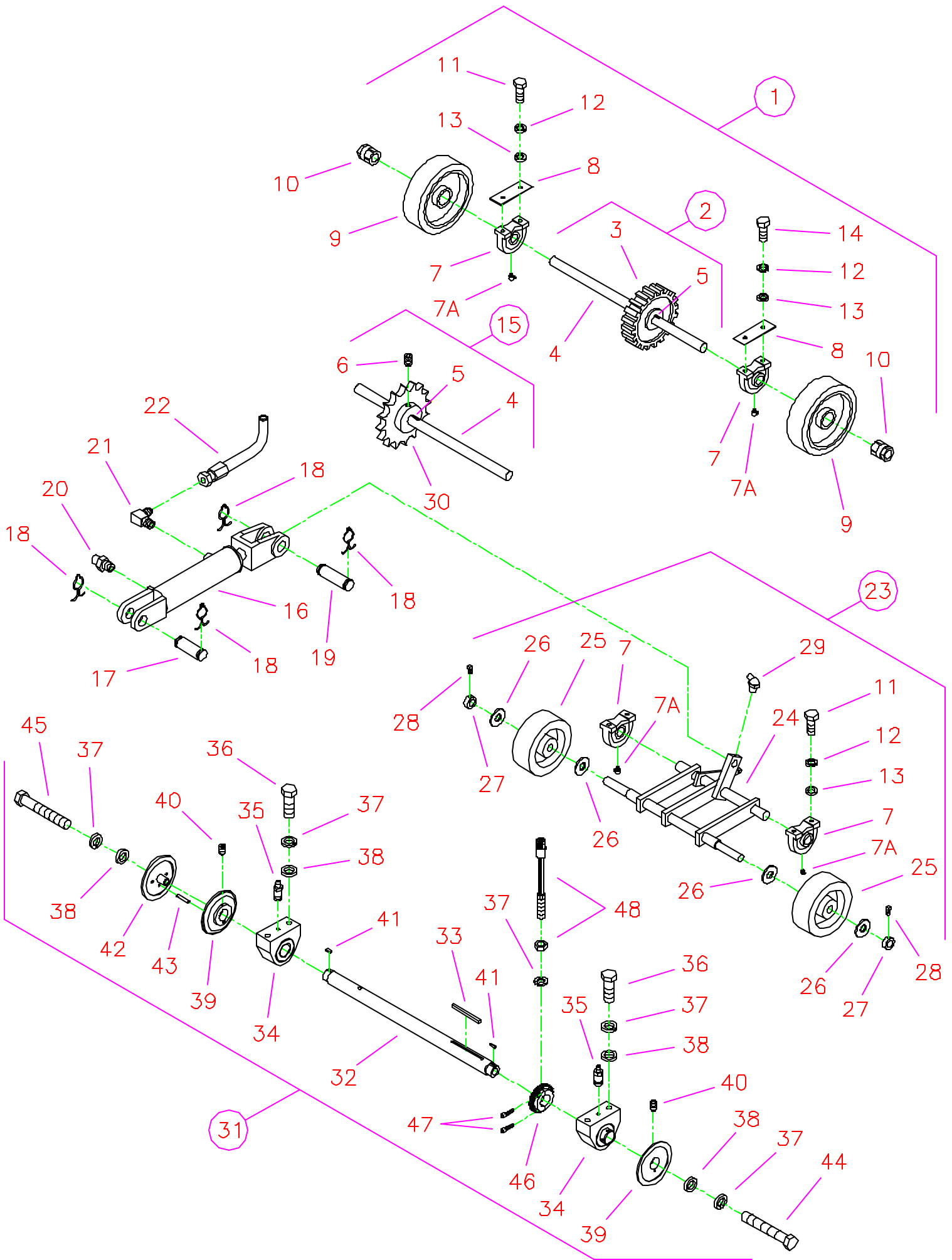
\* For Eaton Transmission Only

\*\* For Sundstrand Transmission Only



**CC3700 Parts List**  
**Drawing I**  
**Frame Group**

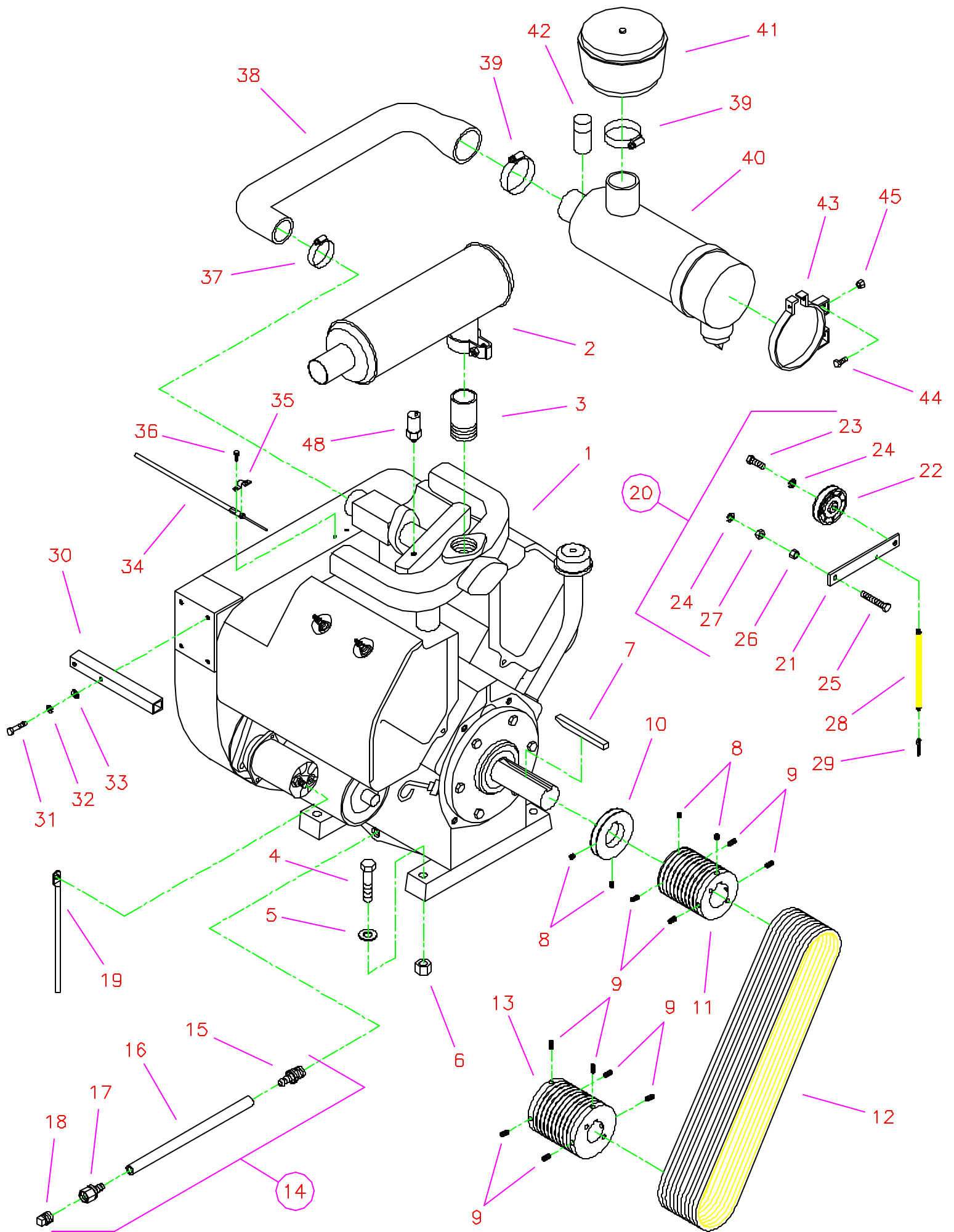
Diagram Number	Part No.	Qty. Req.	Description	Diagram Number	Part No.	Qty. Req.	Description
1	6012000	1	Frame Base	37	6010017	1	Battery Top Brace
	6012084	1	Frame Base (CC3728)	38	6010018	2	Rod, 1/4"-20 x 8-1/2"
2	6012001	1	Frame Upright	39	2900010	8	Lock Nut, 1/4"-20 Nylon
3	2900025	4	Capscrew, Hex Hd., 1/2"-13 x 1-1/4"	40	2800073	1	Battery Cable, Positive (Red)
4	2900058	4	Flat Washer, 1/2" SAE		2800071	1	Battery Cable, Positive (CC3700E)
5	2900026	6	Lock Nut, 1/2"-13 Nylon	41	2800072	1	Battery Cable, Negative (Black)
6	2900005	10	Capscrew, Hex Hd., 3/8"-16 x 1"	42	6010014	2	Handle Bar
7	2900006	7	Lock Washer, 3/8" Split	43	2500636	2	Handle Grip
8	2900014	13	Flat Washer, 3/8" SAE	44	2900234	4	Hand Lock Knob, 3/8"-16
9	2900018	5	Lock Nut, 3/8"-16 Nylon	45	6012008	1	Rear Cover Screen
10	6012010	1	Belt Guard	46	2900180	4	Machine Screw, Hex Washer Hd., 1/4"-20 x 1"
11	6012078	3	Guard Mounting Tab (CC3765)				
	6011110	3	Guard Mounting Tab	47	3200045	1	Pipe Tee, 1/2" NPT
12	2900019	6	Capscrew, Hex Hd., 5/16"-18 x 3/4"	48	3200008	2	Close Nipple, 1/2" NPT
13	2900031	6	Lock Washer, 5/16" Split	49	3200022	1	Fitting, 1/2" Female Pipe to 3/4" Female Garden Hose
14	2900022	6	Flat Washer, 5/16" SAE				
15	2900156	1	Lock Pin	50	3200025	1	Filter Hose Washer
16	6011046	1	Shaft/Flange Guard, Narrow	51	3200013	2	Street Elbow, 1/2" NPT
	6011187	1	Shaft/Flange Guard, Wide	52	3200027	2	Water Valve
17	2900307	1	Wing Screw, M6 x 16mm	53	3200155	2	Fitting, 1/2" Male Pipe to 3/4" Male Garden Hose
18	6011021	2	Skid Plate				
19	2900196	2	Capscrew, Hex Hd., 3/8"-16 x 3/4"	54	6010021	1	Hose Assembly, 42" Long
20	6011148	2	Rear Pointer Assembly (Includes #8, #21 - #24)	55	2900154	1	Bladeshaft Lock-Pin
				56	2500211	1	Bladeshaft Wrench, 15/16"
21	6011165	2	Rear Pointer	57	6011024	1	Hydraulic Pump Cover Plate
22	2900028	2	Capscrew, Hex Hd., 3/8"-16 x 2-3/4"	58	2900021	4	Tapscrew, Pan Hd., #10-24 x 3/8"
23	2400182	2	Spring, Compression	59	2800213	1	Emergency Stop Button
24	2900033	4	Hex Nut, 3/8"-16	60	2800229	1	Contact Block N.C.
25	6010011	1	Engine Base		2800214	1	Contact Block N.O. (Older Models)
26	2900104	2	Setscrew, Sq. Hd., 5/8"-11 x 6"	61	6011200	1	Front Pointer Assembly
27	2900112	2	Hex Nut, 5/8"-11	62	6011201	1	Front Pointer Frame
28	2900446	2	Swivel Pad Nut, 5/8"-11	63	6011152	2	Front Pointer Arm
29	2900147	2	Capscrew, Hex Hd., 5/8"-11 x 1-3/4"	64	2900105	2	Capscrew, Hex Hd., 1/2"-13 x 2-3/4"
30	6010012	1	Frame Lift	65	2501199	1	Caster, Threaded Stem
31	2900286	1	Capscrew, Button Hd., 5/8"-11 x 2"	66	6010009	1	Front Pointer Rod
32	2900136	1	Capscrew, Hex Hd., 5/8"-11 x 2"	67	2500740	1	Pointer Cap
33	6010013	1	Frame Lift Brace	68	6010010	1	Pointer Cord
34	2900013	1	Capscrew, Hex Hd., 3/8"-16 x 1-1/4"	69	3200221	3	Cord Clamp
35	2700208	1	Battery, 12 Volt	70	2900002	6	Flat Washer, 5/8" SAE
36	6010016	1	Battery Pad	71	2900128	2	Flat Washer, 5/8" USS
				72	2900135	4	Lock Nut, 5/8"-11 Nylon





**CC3700 Parts List**  
**Drawing II**  
**Blade Shaft and Axles Group**

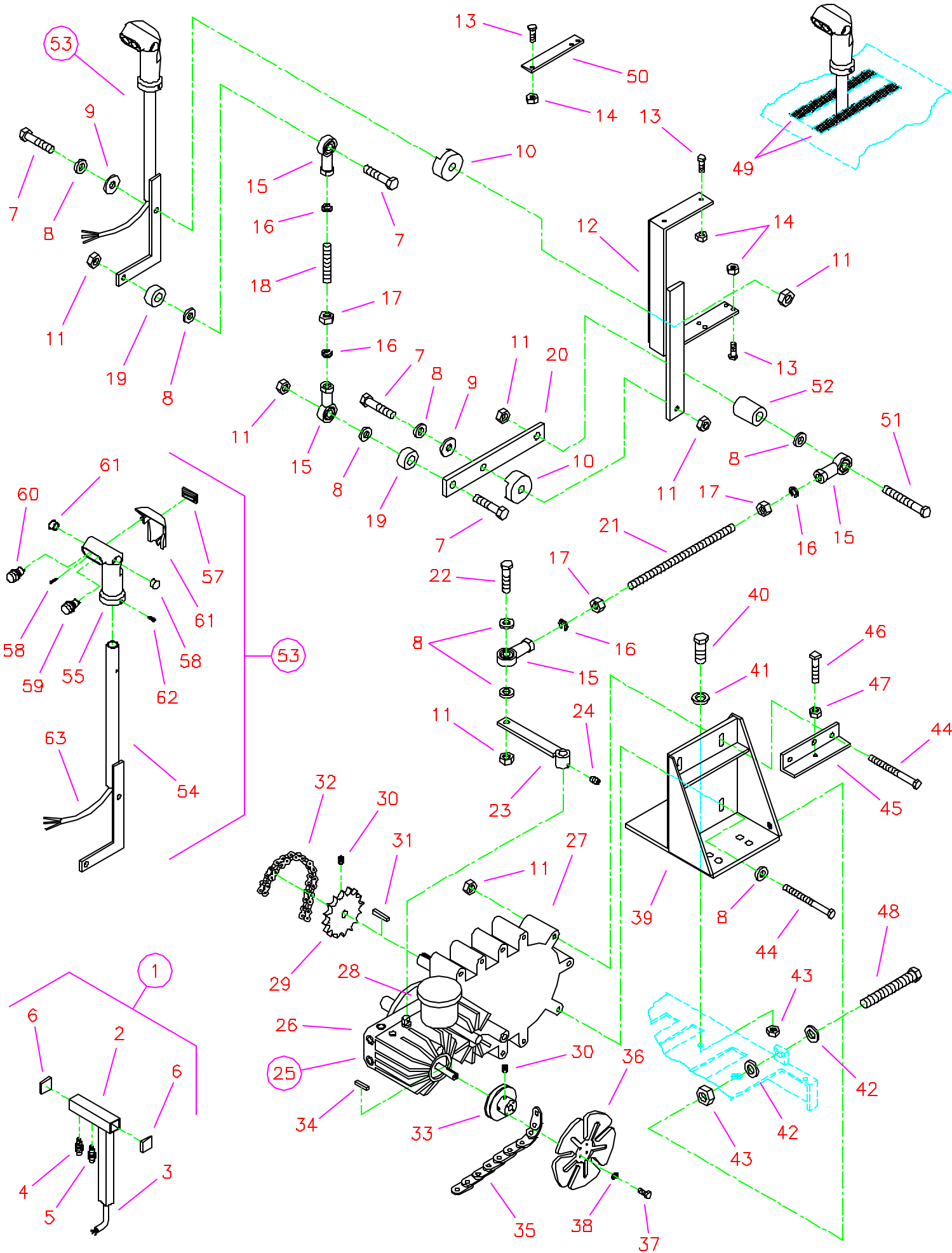
Diagram Number	Part No.	Qty. Req.	Description	Diagram Number	Part No.	Qty. Req.	Description
1	6012063	1	Rear Axle Assembly with 68 Tooth Gear (Includes #2 - #14)	26	2900145	4	Flat Washer, 1" USS
	6012050	1	Rear Axle Assembly with Chain Sprocket (Includes #4 - #15)	27	2500009	2	Set Collar, 1"
2	6012064	1	Rear Axle Weldment with 68 Tooth Gear (Includes #3 - #5)	28	2900431	2	Setscrew, Sq. Hd., 5/16"-18 x 1/2"
3	6010284	1	Wheel Drive Gear, 68 Tooth	29	2900184	1	Grease Fitting, 1/4"-28 x 45°
4	6012049	1	Rear Axle	30	2500267	1	Wheel Drive Sprocket, 35 Tooth
5	6010169	1	Key, 1/4" Sq. x 1-1/4"	31	6012011	1	Blade Shaft Assembly with 4-1/2" Diameter Flanges (Includes #32 - #45)
6	2900142	2	Setscrew, Soc. Hd., 5/16"-18 x 3/8"		6012012	1	Blade Shaft Assembly with 6-1/4" Diameter Flanges (Includes #32 - #45)
7	2500158	4	Pillow Block Bearing 1-1/4"	32	6012003	1	Blade Shaft
7A	2900061	4	Grease Fitting, 1/4"-28 x 90°	33	6012065	1	Key, 3/8" Sq. x 3-1/2"
8	6010024	2	Rear Axle Bearing Spacer, 1/8"	34	2500151	2	Blade Shaft Bearing, 1-3/4" (Includes #35)
9	2500873	2	Wheel, 10" Rear with 2" Bore	35	2900198	2	Grease Fitting, 1/8" NPT
10	2500874	2	Trantorque Bushing, 1-1/4"	36	2900512	4	Capscrew, Hex Hd., 5/8"-11 x 1-1/4"
11	2900025	6	Capscrew, Hex Hd., 1/2"-13 x 1-1/4"	37	2900113	7	Lock Washer, 5/8" Split
12	2900084	8	Lock Washer, 1/2" Split	38	2900002	6	Flat Washer, 5/8" SAE
13	2900058	8	Flat Washer, 1/2" SAE	39	6010036	2	Inner Flange, 4-1/2" for 14" - 26" Blade Guards
14	2900139	2	Capscrew, Hex Hd., 1/2"-13 x 1-3/4"		6010038	2	Inner Flange, 6-1/4" for 30" & 36" Blade Guards
15	6012051	1	Rear Axle Weldment with Chain Sprocket (Includes #4 - #6, #30)	40	2900418	2	Setscrew, Soc. Hd., 5/16"-18 x 5/8"
16	2500177	1	Hydraulic Cylinder	41	6010040	2	Key, 1/4" Sq. x 13/16"
	2500278	1	(Seal Kit)	42	6010037	1	Outer Flange, 4-1/2" with Drive Pin for 14" - 26" Blade Guards
17	6010031	1	Cylinder Pin, 3"		6010039	1	Outer Flange, 6-1/4" with Drive Pin for 30" & 36" Blade Guards
18	2900064	4	Hair Pin Cotter, 3/4"	43	2900197	1	Drive Pin, 3/8" Dia. x 2"
19	6010119	1	Cylinder Pin, 3-1/2"	44	2900146	1	Capscrew, Hex Hd., 5/8"-11 x 4" Right Hand
20	3200067	1	Cylinder Breather, 1/4" NPT	45	2900130	1	Capscrew, Hex Hd., 5/8"-11 x 4" Left Hand
21	3200057	1	Elbow, 1/4" Male Pipe to 1/4" Male JIC	46	6010230	1	Shaft Tach Gear, Split
22	3200054	1	Hydraulic Hose Assembly, 32" Long	47	2900089	2	Capscrew, Soc. Hd., 1/4"-28 x 1"
23	6012022	1	Front Axle Assembly (Includes #7, #11 - #13, #24 - #29)	48	2800169	1	Magnetic Sensor with Wire Connector and Hex Nut
24	6012002	1	Front Axle Weldment				
25	2500182	2	Wheel, 8" Front				
	2500673	2	(Roller Bearing and Seals Kit)				



**CC3700 Parts List**  
**Drawing III**  
**Engine Group**

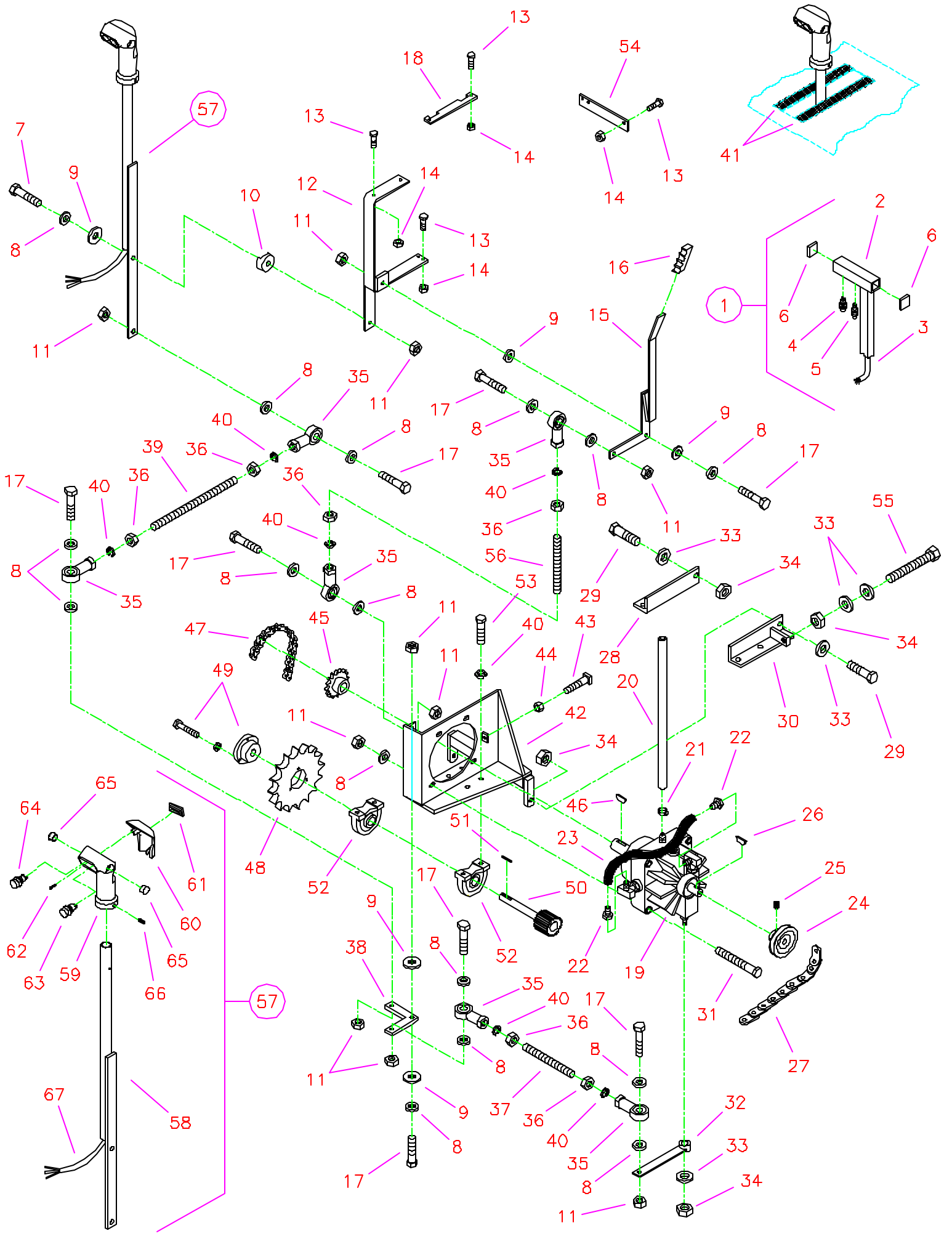
Diagram Number	Part No.	Qty. Req.	Description	Diagram Number	Part No.	Qty. Req.	Description
1	2600191	1	Engine, 65 Hp Wisconsin Model V465D1 (Includes #2 and #3)	14	6010177	1	Oil Drain Hose Assembly (65HP) (Includes #15 - #18)
	<u>2600120</u>	1	Engine, 37 Hp Wisconsin Model VG4D2 (Includes #2 and #3)		<u>6012015</u>	1	Oil Drain Hose Assembly (37HP) (Includes #15 - #18)
2	2700179	1	Muffler, Horizontal with Clamp (65HP)	15	3200162	1	Fitting, 3/4" Male Pipe to 1/2" Push Lock (65HP)
	<u>2700189</u>	1	Muffler, Horizontal with Clamp (37HP)		<u>3200172</u>	1	Fitting, 1/2" Male Pipe to 1/2" Push Lock (37HP)
	2700600	1	Muffler, Vertical (65HP)	16	6010245	1	Oil Drain Hose, 13" Long (65HP)
	<u>2700258</u>	1	Muffler, Vertical (37HP)		<u>6012031</u>	1	Oil Drain Hose, 12" Long (37HP)
3	3200051	1	Pipe Nipple, 2" NPT (65HP)	17	3200163	1	Fitting, 1/2" Female Pipe to 1/2" Push Lock
	<u>3200171</u>	1	Pipe Nipple, 1-1/2" NPT (37HP)	18	3200160	1	Plug, 1/2" NPT
4	2900195	4	Capscrew, Hex Hd., 5/8"-11 x 3"	19	2800073	1	Battery Cable, Positive (Red)
5	2900002	4	Flat Washer, 5/8" SAE	20	6010194	1	Idler Assembly, 65HP (Includes #21 - #29)
6	2900135	4	Lock Nut, 5/8"-11 Nylon		<u>6012032</u>	1	Idler Assembly, 37HP (Includes #21 - #29)
7	6010161	1	Bevel End Key, 1/2" Square (65HP)	21	6048218	1	Idler Arm (65HP)
	<u>6011172</u>	1	Bevel End Key, 3/8" Square (37HP)		<u>6012013</u>	1	Idler Arm (37HP)
8	2900142	4	Setscrew, Soc. Hd., 5/16"-18 x 3/8"	22	2500074	1	Idler Pulley
9	2900418	10	Setscrew, Soc. Hd., 5/16"-18 x 5/8"	23	2900013	1	Capscrew, Hex Hd., 3/8"-16 x 1-1/4"
10	6010041	1	Accessory Drive Pulley, 2" Bore (65HP)	24	2900006	2	Lock Washer, 3/8" Split
	<u>6012006</u>	1	Accessory Drive Pulley, 1-3/4" Bore (37HP)	25	2900521	1	Tap Bolt, Hex Hd., 3/8"-16 x 2-1/2" (65HP)
11	6010151	1	Sheave, 4.00-8 Groove x 2" Bore (65HP)		<u>2900520</u>	1	Tap Bolt, Hex Hd., 3/8"-16 x 3" (37HP)
	<u>6012027</u>	1	Sheave, 4.12-7 Groove x 1-3/4" Bore for 14" and 20" Blade Guards (37HP)	26	2900018	1	Lock Nut, 3/8"-16 Nylon
	<u>6012026</u>	1	Sheave, 3.65-7 Groove x 1-3/4" Bore for 26" - 36" Blade Guards (37HP)	27	2900033	1	Hex Nut, 3/8"-16
12	2500438	8	V-Belt, 3VX530 for 14" - 26" Blade Guards (65HP)	28	2500195	1	Idler Spring, 3/8" x 7-3/4"
	2500188	8	V-Belt, 3VX560 for 30" and 36" Blade Guards (65HP)	29	2900055	1	Cotter Pin, 3/16" x 1"
	2501156	2	Banded Belt, 3VX530 - 4 Strand for 14" - 26" Blade Guards (65HP)	30	6010050	1	Pointer Stop
	2500589	2	Banded Belt, 3VX560 - 4 Strand for 30" - 36" Blade Guards (65HP)	31	2900508	2	Capscrew, Hex Hd., 5/16"-18 x 1-1/2"
	<u>2500438</u>	7	V-Belt, 3VX530 (37HP)	32	2900031	2	Lock Washer, 5/16" Split
13	6010147	1	Sheave, 4.12-8 Groove x 1-3/4" Bore for 14" Blade Guard (65HP)	33	2900022	2	Flat Washer, 5/16" SAE
	6010149	1	Sheave, 4.50-8 Groove x 1-3/4" Bore for 20" and 26" Blade Guards (65HP)	34	2500376	1	Vernier Throttle Cable
	6012053	1	Sheave, 5.30-8 Groove with 1-3/4" QD Bushing for 30" and 36" Blade Guards (65HP)	35	2500940	1	Throttle Cable Clamp
	2500390	1	(Sheave Only, 5.30-8 Groove)	36	2900411	2	Tapscrew, Hex Washer Hd., #10 x 3/4"
	2500176	1	(Bushing Only, 1-3/4" QD with Capscrews)	37	3200095	1	Hose Clamp, #32
	<u>6012026</u>	1	Sheave, 3.65-7 Groove x 1-3/4" Bore for 14" Blade Guard (37HP)	38	2500470	1	Air Intake Hose
	<u>6012027</u>	1	Sheave, 4.12-7 Groove x 1-3/4" Bore for 20" and 26" Blade Guards (37HP)	39	3200096	2	Hose Clamp, #40
	<u>6012033</u>	1	Sheave, 4.75-7 Groove x 1-3/4" Bore for 30" and 36" Blade Guards (37HP)	40	2500180	1	Air Cleaner, Complete
					2500237	1	(Outer Primary Element)
					2500238	1	(Inner Safety Element)
					2500239	1	(Rubber Dust Ejector Boot, 2")
				41	2500105	1	Pre-Cleaner with Clamp
					2500493	1	(Clear Plastic Bowl Only)
				42	2500423	1	Restriction Indicator
				43	2500107	2	Mounting Strap, 5-1/4"
				44	2900019	4	Capscrew, Hex Hd., 5/16"-18 x 3/4"
				45	2900039	4	Lock Nut, 5/16"-18 Nylon
				46	2800386	1	Vacuum Switch

**Note: Underlined part numbers apply to CC3737 saw only**



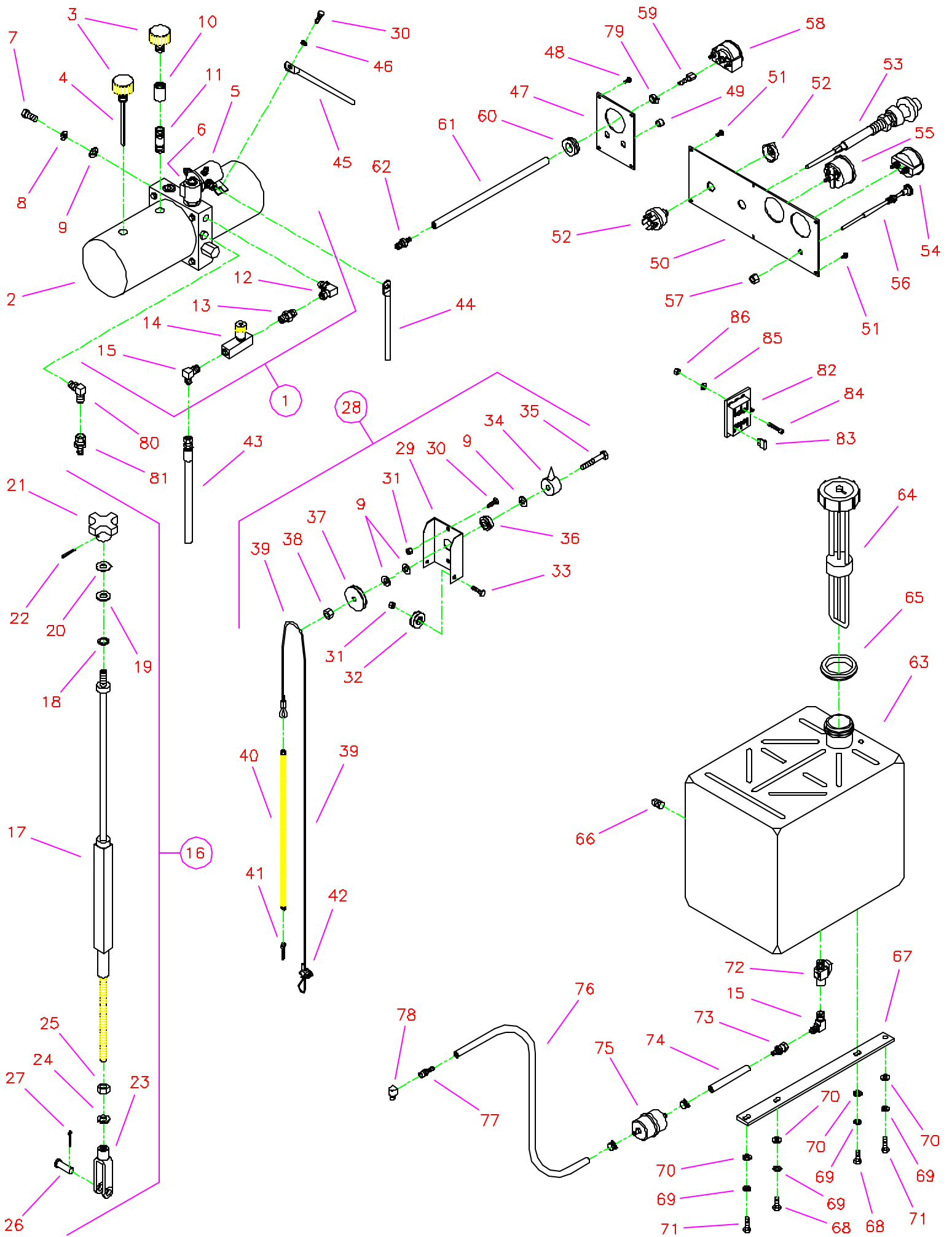
**CC3700 Parts List**  
**Drawing IV**  
**Sundstrand Transmission Group**

Diagram Number	Part No.	Qty. Req.	Description	Diagram Number	Part No.	Qty. Req.	Description
1	6010212	1	Speed Control Lever Assembly for Older Saws (Includes #2 - #6)	33	6011037	1	Transmission Pulley
				34	6010170	1	Key, 3/16" Sq. x 1"
2	6010121	1	Speed Control Lever Only	35	6012017	1	Link Belt
3	6010108	1	Raise/Lower Wiring Harness		2500169	1	(Link Belt Assembly Tool)
4	2800167	1	Push Button Switch, Lower	36	2500519	1	Cooling Fan, 7"
5	2800166	1	Push Button Switch, Raise	37	2900448	4	Machine Screw, Hex Hd., #10-32 x 1/2"
6	2500206	2	End Plug				
7	2900047	4	Capscrew, Hex Hd., 3/8"-16 x 1-3/4"	38	2900038	4	Lock Washer, #10 Split
8	2900014	9	Flat Washer, 3/8" SAE	39	6010118	1	Transmission Platform Weldment
9	2900153	2	Friction Washer, 3/8"	40	2900139	1	Capscrew, Hex Hd., 1/2"-13 x 1-3/4"
10	6010055	2	Friction Spacer	41	2900127	1	Flat Washer, 1/2" USS
11	2900018	10	Lock Nut, 3/8"-16 Nylon	42	2900058	2	Flat Washer, 1/2" SAE
12	6011018	1	Lever Support Weldment	43	2900026	2	Lock Nut, 1/2"-13 Nylon
13	2900144	8	Capscrew, Hex Hd., 1/4"-20 x 3/4"	44	2900160	4	Capscrew, Hex Hd., 3/8"-16 x 4"
14	2900010	8	Lock Nut, 1/4"-20 Nylon	45	6010120	1	Chain Tensioning Bracket
15	2500152	4	Rod End, 3/8"-24	46	2900140	1	Setscrew, Sq. Hd., 5/16"-18 x 1-1/2"
16	2900006	4	Lock Washer, 3/8" Split	47	2900141	1	Hex Nut, 5/16"-18
17	2900148	3	Hex Nut, 3/8"-24	48	2900542	1	Tap Bolt, Hex Hd., 1/2"-13 x 3-1/2"
18	6011059	1	Rod, 3/8"-24 x 1-3/4"	49	6011031	2	Edge Trim
19	2500007	2	Set Collar, 1/2"	50	6010166	2	Gate Cover Bar
20	6011017	1	Linkage Lever	51	2900028	1	Capscrew, Hex Hd., 3/8"-16 x 2-3/4"
21	6011060	1	Rod, 3/8"-24 x 11-1/2"	52	6010141	1	Linkage Spacer, 1-3/8"
22	2900029	1	Capscrew, Hex Hd., 3/8"-16 x 1-1/2"	53	6010317	1	Speed Control Lever Assembly for Newer Saws (Includes #54 - #63)
23	6010129	1	Shift Lever				
24	2900429	1	Setscrew, Soc. Hd., 5/16"-24 x 1/2"	54	6010315	1	Speed Control Lever Only
25	2600021	1	Hydrostatic Transaxle Assembly (Includes #26 - #28)	55	2501280	1	Control Grip Body
				56	2501281	1	Control Grip Cover
26	2600033	1	Hydrostatic Transmission Only	57	2500644	1	Plug, Rectangular
27	2600085	1	Transaxle Gearbox Only	58	2900452	1	Screw, Oval Head, #4 x 5/8"
28	2700357	1	Oil Reservoir Only	59	2800372	1	Pushbutton Switch, Raise
29	6010127	1	Transmission Sprocket, 19 Tooth	60	2800373	1	Pushbutton Switch, Lower
30	2900142	4	Setscrew, Soc. Hd., 5/16"-18 x 3/8"	61	2500694	2	Plug, 5/8" Hole
31	6010169	1	Key, 1/4" Sq. x 1-1/4"	62	2900453	1	Setscrew, Soc. Hd., M5 x 12mm
32	6010130	1	#50 Chain, 50 Pitch	63	2800393	1	Wiring Harness, Hydraulic Pump



**CC3700 Parts List**  
**Drawing V**  
**Eaton Transmission Group**

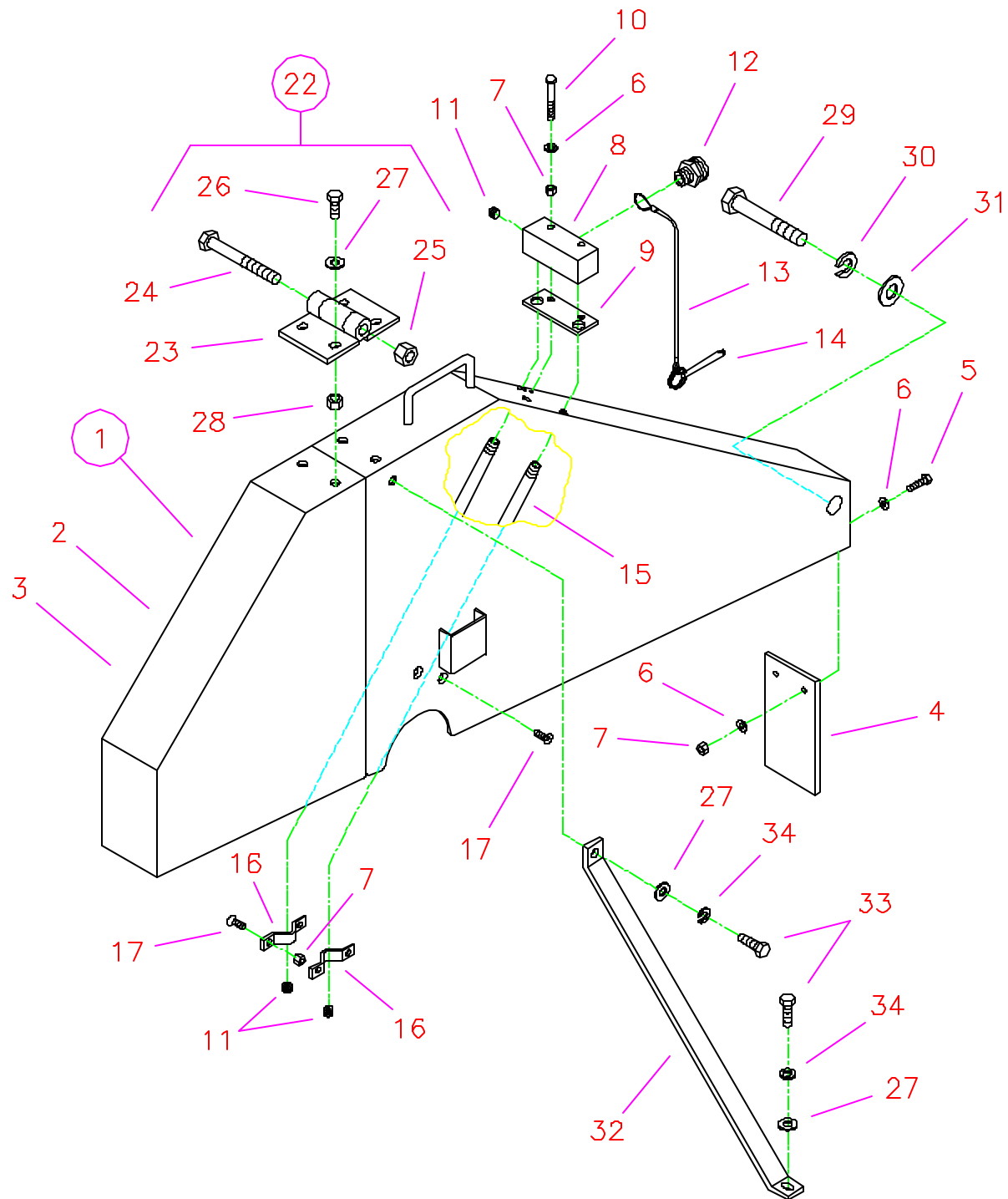
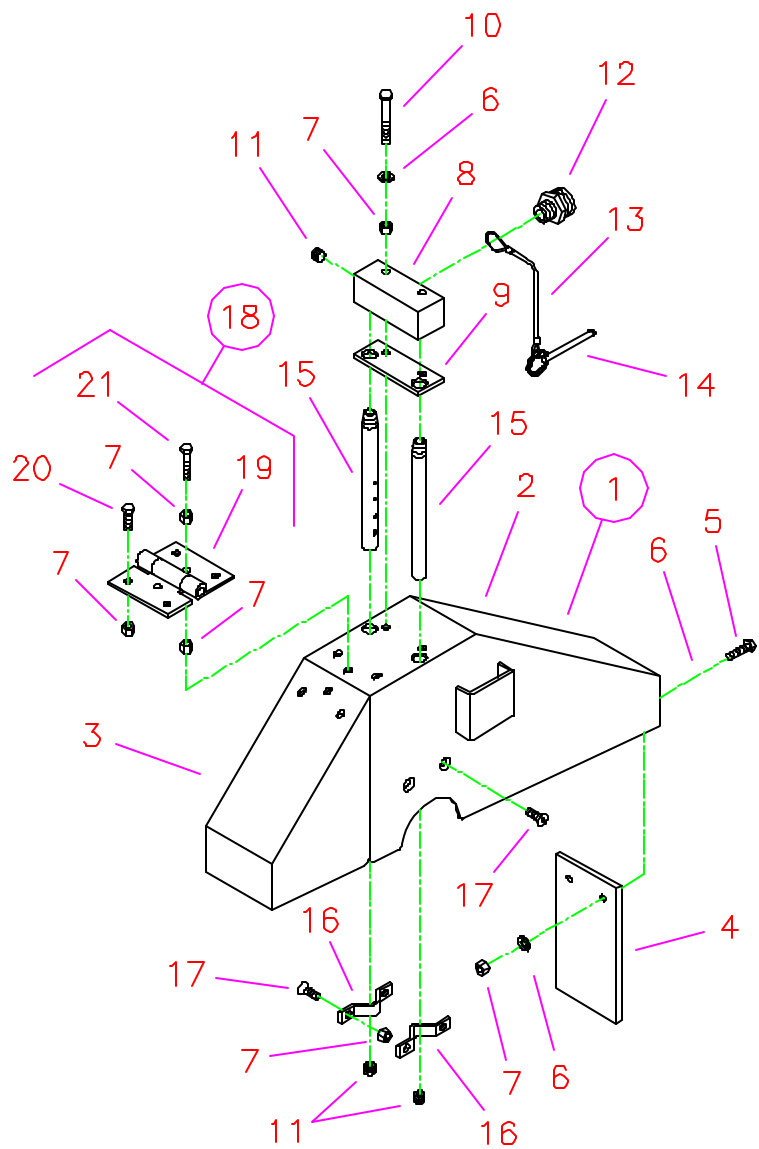
Diagram Number	Part No.	Qty. Req.	Description	Diagram Number	Part No.	Qty. Req.	Description
1	6010192	1	Speed Control Lever Assembly for Older Saws (Includes #2 - #6)	34	2900026	4	Lock Nut, 1/2"-13 Nylon
				35	2500152	6	Rod End, 3/8"-24
2	6010054	1	Speed Control Lever Only	36	2900148	6	Hex Nut, 3/8"-24
3	6010108	1	Raise/Lower Wiring Harness	37	6010065	1	Rod, 3/8"-24 x 3-1/2"
4	2800167	1	Push Button Switch, Lower	38	6012058	1	Bell Crank
5	2800166	1	Push Button Switch, Raise	39	6012067	1	Rod, 3/8"-24 x 9"
6	2500206	2	End Plug	40	2900006	11	Lock Washer, 3/8" Split
7	2900047	2	Capscrew, Hex Hd., 3/8"-16 x 1-3/4"	41	6011031	2	Edge Trim
8	2900014	19	Flat Washer, 3/8" SAE	42	6010068	1	Transmission Platform Weldment
9	2900153	5	Friction Washer, 3/8"	43	2900140	1	Setscrew, Sq. Hd., 5/16"-18 x 1-1/2"
10	6010055	1	Friction Spacer	44	2900141	1	Hex Nut, 5/16"-18
11	2900018	13	Lock Nut, 3/8"-16 Nylon	45	2500150	1	Sprocket, 11 Tooth with Setscrew
12	6012057	1	Lever Support Weldment	46	2900063	1	Woodruff Key #5, 1/8" Wide x 5/8" Dia.
13	2900144	8	Capscrew, Hex Hd., 1/4"-20 x 3/4"	47	6010069	1	#40 Chain, 56 Pitch
14	2900010	8	Lock Nut, 1/4"-20 Nylon	48	2500148	1	Sprocket, 45 Tooth
15	6010057	1	Engagement Lever Weldment	49	2500149	1	Sprocket Bushing with Fasteners
16	2500002	1	Hand Grip	50	6013101	1	Transmission Jackshaft, 11 Tooth
17	2900029	7	Capscrew, Hex Hd., 3/8"-16 x 1-1/2"	51	6048229	1	Key, 3/16" Sq. x 1-1/4"
18	6010058	1	Gate Plate	52	2500159	2	Pillow Block Bearing, 3/4"
19	2600068	1	Hydrostatic Transmission	53	2900005	4	Capscrew, Hex Hd., 3/8"-16 x 1"
20	6010059	1	Return Hose, 3/8" I.D. x 19" Long	54	6010166	1	Gate Cover Bar
21	3200062	1	Hose Clamp #4	55	2900542	1	Tap Bolt, Hex Hd., 1/2"-13 x 3-1/2"
22	3200046	2	Fitting, 3/8 Female JIC to 3/8" Push Lock	56	6012066	1	Rod, 3/8"-24 x 4-1/4"
23	6010060	1	Oil Recirculation Hose, 3/8" I.D. x 9"	57	6010316	1	Speed Control Lever Assembly for Newer Saws (Includes #58 - #67)
24	6010061	1	Transmission Pulley				
25	2900142	2	Setscrew, Soc. Hd., 5/16"-18 x 3/8"	58	6010314	1	Speed Control Lever Only
26	2900143	1	Woodruff Key #61, 3/16" Wide x 5/8" Dia.	59	2501280	1	Control Grip Body
27	6012068	1	Link Belt	60	2501281	1	Control Grip Cover
	2500169	1	(Link Belt Assembly Tool)	61	2500644	1	Plug, Rectangular
28	6010027	1	Mount Foot, Right Hand	62	2900452	1	Screw, Oval Head, #4 x 5/8"
29	2900139	2	Capscrew, Hex Hd., 1/2"-13 x 1-3/4"	63	2800372	1	Pushbutton Switch, Raise
30	6010028	1	Mount Foot, Left Hand	64	2800373	1	Pushbutton Switch, Lower
31	2900035	4	Capscrew, Hex Hd., 3/8"-16 x 3"	65	2500694	2	Plug, 5/8" Hole
32	6010064	1	Shift Lever	66	2900453	1	Setscrew, Soc. Hd., M5 x 12mm
33	2900058	5	Flat Washer, 1/2" SAE	67	2800393	1	Wiring Harness, Hydraulic Pump





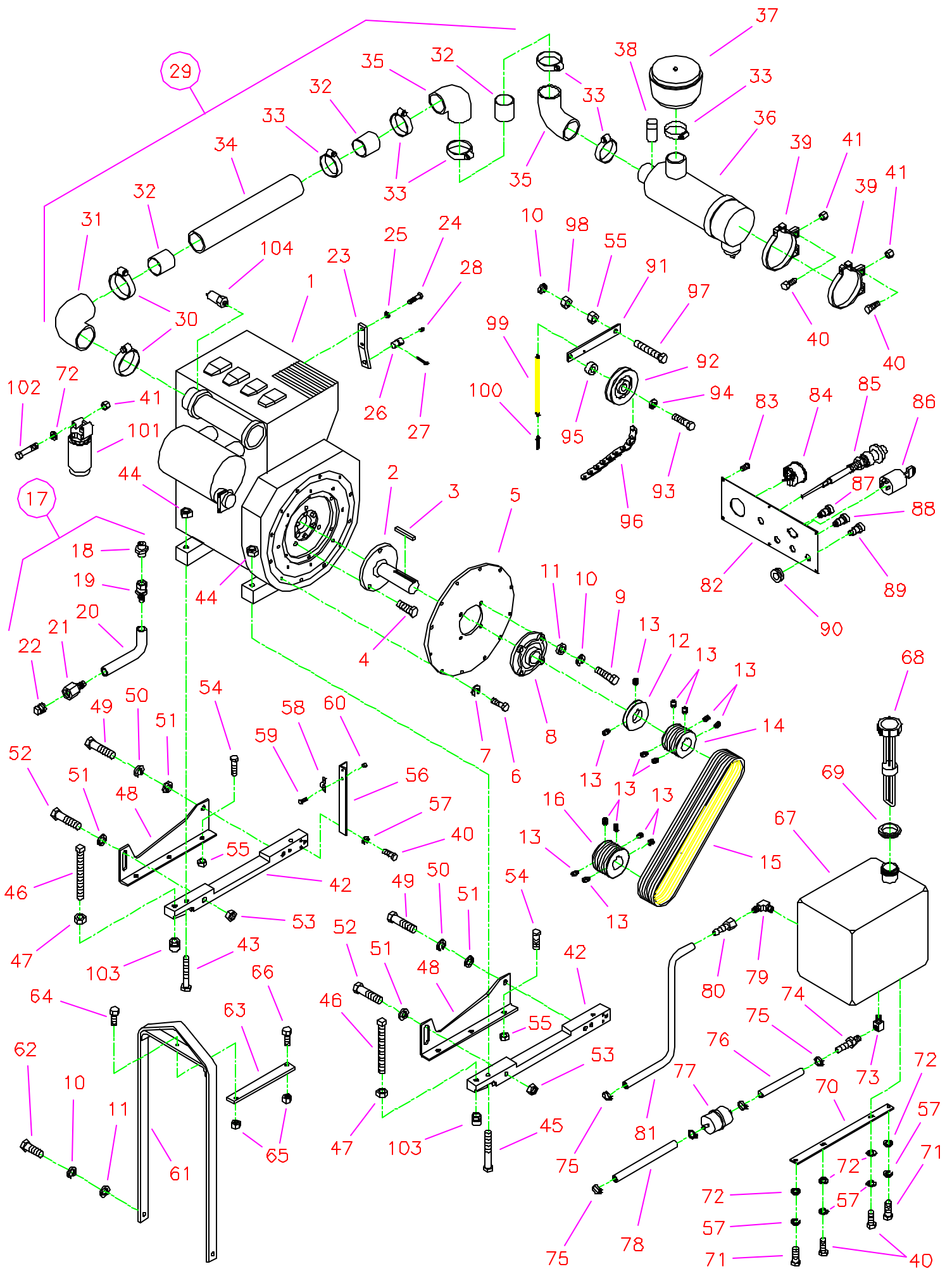
**CC3700 Parts List**  
**Drawing VI**  
**Controls Group**

Diagram Number	Part No.	Qty. Req.	Description	Diagram Number	Part No.	Qty. Req.	Description
1	6011077	1	Hydraulic Pump Assembly (Includes #2 - #15)	43	3200054	1	Hydraulic Hose Assembly, 32" Long
2	2600070	1	Hydraulic Pump Unit (Includes #3 - #6)	44	2800095	1	Solenoid Cable (Red)
3	2700321	2	Breather Cap, 3/8" NPT	2800071	1	Battery Cable, Positive (CC3700E)	
4	2701815	1	Dipstick	45	2800182	1	Negative Ground Cable (Black)
5	2700169	1	Solenoid, Motor	46	2900024	1	Lock Washer, 1/4" Split
6	2700243	1	Valve Coil	47	6010222	1	Switch Plate (CC3765)
	2700244	1	Valve Stem		6010098	1	Switch Plate
7	2900005	2	Capscrew, Hex Hd., 3/8"-16 x 1"	48	2900445	6	Tapscrow, Flat Hd., #10-24 x 1/2"
8	2900006	2	Lock Washer, 3/8" Split	49	2500204	3	Plug, 1/2" Hole
9	2900014	5	Flat Washer, 3/8" SAE	50	6012028	1	Gauge Panel
10	3200120	1	Pipe Coupling, 3/8" NPT	51	2900021	4	Tapscrow, Pan Hd., #10-24 x 3/8"
11	3200123	1	Pipe Nipple, 3/8" NPT x 2"	52	2500220	1	Ignition Switch
12	3200115	1	Elbow, 3/8" O-Ring to 1/4" Female Pipe Swivel	53	2500376	1	Vernier Throttle Cable
13	3200060	1	Hex Nipple, 1/4" NPT	54	2800271	1	Volt Meter
14	3200056	1	Flow Control Valve, 1/4" NPT		2800059	1	Amp Meter (Older Models)
15	3200057	2	Elbow, 1/4" Male Pipe to 1/4" Male JIC	55	2800064	1	Hour Meter
16	6010215	1	Depth Stop Assembly (Includes #17 - #27)	56	2500186	1	Choke Cable
17	6010097	1	Depth Stop Weldment	57	2900148	1	Hex Nut, 3/8"-24
18	2900133	1	Wave Washer	58	2500179	1	Oil Pressure Gauge (CC3765)
19	2900058	1	Flat Washer, 1/2" SAE	59	3200188	1	Fitting, 1/8" Female Pipe to 1/4" Hose Barb
20	2900239	1	Friction Washer, 1/2"	60	2500203	2	Grommet
21	6010095	1	Depth Stop Knob	61	6010100	1	Oil Pressure Line Hose, 1/4" I.D. x 32"
22	2900132	1	Roll Pin, 3/16" x 1-1/4"	62	3200064	1	Fitting, 1/4" Male SAE to 1/4" Push Lock
23	2900158	1	Yoke, 1/2"-13	63	2500648	1	Fuel Tank, 6 Gallon
24	2900084	1	Lock Washer, 1/2" Split	64	2500649	1	Fuel Tank Cap with Gauge
25	2900037	1	Hex Nut, 1/2"-13	65	2500205	1	Fuel Tank Grommet
26	2900007	1	Clevis Pin, 1/2" Dia. x 1-3/8"	66	3200206	1	Pipe Plug, 1/4" NPT
27	2900004	1	Cotter Pin, 1/8" x 1"	67	6011083	2	Fuel Tank Mount Bar
28	6010214	1	Depth Indicator Assembly (Includes #9, #29 - #42)	68	2900019	4	Capscrew, Hex Hd., 5/16"-18 x 3/4"
29	6010092	1	Depth Indicator Mount Bracket	69	2900031	8	Lock Washer, 5/16" Split
30	2900144	3	Capscrew, Hex Hd., 1/4"-20 x 3/4"	70	2900022	8	Flat Washer, 5/16" SAE
31	2900010	4	Lock Nut, 1/4"-20 Nylon	71	2900138	4	Capscrew, Hex Hd., 5/16"-18 x 1"
32	2500155	2	Cable Pulley, 1-1/4"	72	3200108	1	Fuel Shut-off Valve
33	2900008	2	Capscrew, Hex Hd., 1/4"-20 x 1"	73	3200091	1	Fitting, 1/4" Female JIC to 1/4" Push Lock
34	6010091	1	Depth Indicator Pointer	74	6010218	1	Fuel Line Hose, 1/4" I.D. x 4" Long
35	2900079	1	Capscrew, Hex Hd., 3/8"-16 x 2-1/4"	75	2500201	1	Fuel Filter with Clamps
36	2500145	1	Flange Bearing, 3/8"	76	6011062	1	Fuel Line Hose, 1/4" I.D. x 20" Long
37	6010093	1	Cable Pulley, 2"	77	3200065	1	Fitting, 1/8" Male Pipe to 1/4" Push Lock
38	2900018	1	Lock Nut, 3/8"-16 Nylon	78	3200156	1	Street Elbow, 1/8" NPT Brass
39	6010094	1	Depth Indicator Cable with Crimp, 48"	79	3200062	1	Hose Clamp #4
40	2500196	1	Spring, 3/8" x 15"	80	3200116	1	Elbow, 1/4" O-Ring to 3/8" Male JIC
41	2900055	1	Cotter Pin, 3/16" x 1"	81	3200046	1	Fitting, 3/8" Female JIC to 3/8" Push Lock
42	2500214	1	Cable Clamp	82	2800388	1	Fuse Panel, 6 Circuit
				83	2800389	6	Fuse, 10 Amp Red ATO/ATC
				84	2900451	2	Capscrew, Soc. Hd., #10-24 x 1-1/4"
				85	2900016	2	Flat Washer, #10 USS
				86	2900017	2	Lock Nut, #10-24 Nylon



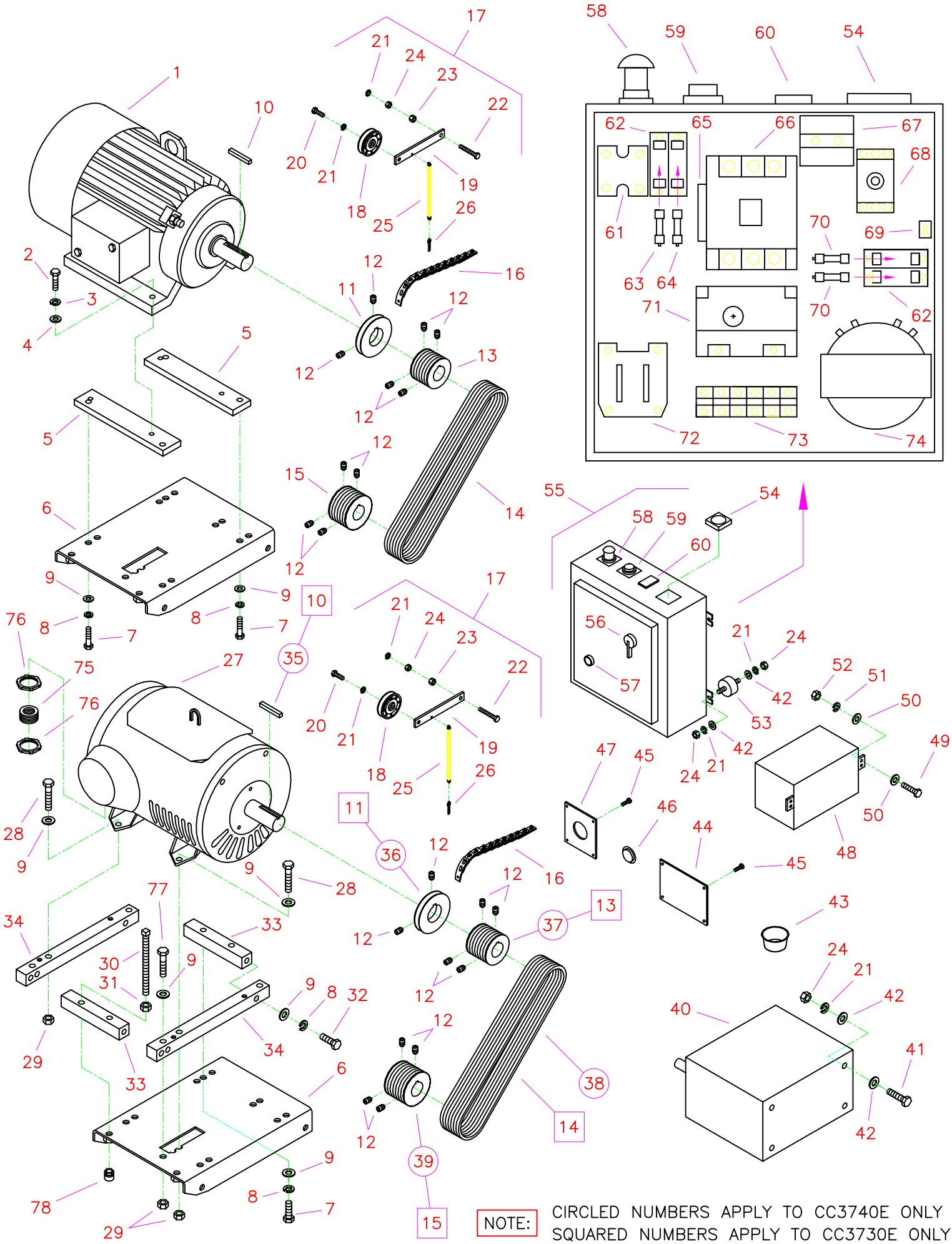
**CC3700 Parts List**  
**Drawing VII**  
**Blade Guard Assembly**

Diagram Number	Part No.	Qty. Req.	Description	Diagram Number	Part No.	Qty. Req.	Description
1	6010070	1	14" Blade Guard Assembly (Includes #2 - #21)	14	2900156	1	Lock Pin Only
	6010072	1	20" Blade Guard Assembly (Includes #2 - #20)	15	6048283	2	Water Tube for 14" Blade Guard
	6010074	1	26" Blade Guard Assembly (Includes #2 - #17, #22)		6010085	2	Water Tube for 20" Blade Guard
	6010076	1	30" Blade Guard Assembly (Includes #2 - #17, #22)		6010086	2	Water Tube for 26" Blade Guard
	6010260	1	36" Blade Guard Assembly (Includes #2 - #17, #22 - #31)		6010087	2	Water Tube for 30" Blade Guard
					6010088	2	Water Tube for 36" Blade Guard
				16	6048155	2	Water Tube Clamp
				17	2900020	4	Capscrew, Flat Hd., 1/4"-20 x 3/4"
				18	6048150	1	Hinge Assembly for 14" Blade Guard (Includes #7, #19 - #21)
2	6010071	1	14" Blade Guard Front & Rear Only		6010251	1	Hinge Assembly for 20" Blade Guard (Includes #7, #19, #20)
	6010073	1	20" Blade Guard Front & Rear Only				
	6010075	1	26" Blade Guard Front & Rear Only	19	2500270	1	Hinge Only
	6010077	1	30" Blade Guard Front & Rear Only	20	2900144	6	Capscrew, Hex Hd., 1/4"-20 x 3/4"
	6010259	1	36" Blade Guard Front & Rear Only	21	2900052	1	Capscrew, Hex Hd., 1/4"-20 x 1-1/4"
3	6010304	1	14" Blade Guard Front Only	22	6010263	1	Hinge Assembly for 26"-36" Blade Guards (Includes #23 - #28)
	6010305	1	20" Blade Guard Front Only				
	6010306	1	26" Blade Guard Front Only	23	6010125	1	Hinge Only
	6010307	1	30" Blade Guard Front Only	24	2900509	1	Capscrew, Hex Hd., 1/2"-13 x 4"
	6010308	1	36" Blade Guard Front Only	25	2900026	1	Lock Nut, 1/2"-13 Nylon
4	6010081	1	Splash Flap	26	2900013	4	Capscrew, Hex Hd., 3/8"-16 x 1-1/4"
5	2900008	2	Capscrew, Hex Hd., 1/4"-20 x 1"	27	2900014	6	Flat Washer, 3/8" SAE
6	2900009	6	Flat Washer, 1/4" SAE	28	2900018	4	Lock Nut, 3/8"-16 Nylon
7	2900010	15	Lock Nut, 1/4"-20 Nylon	29	2900291	1	Capscrew, Hex Hd., 5/8"-18 x 4"
8	6010261	1	Manifold for 14" - 30" Blade Guards	30	2900113	1	Lock Washer, 5/8" Split
	6010264	1	Manifold for 36" Blade Guard	31	2900002	1	Flat Washer, 5/8" SAE
9	2500830	1	Manifold Gasket	32	6012009	1	Blade Guard Brace for 30" & 36" Blade Guards
10	2900294	2	Capscrew, Hex Hd., 1/4"-20 x 2"				
11	3200001	3	Pipe Plug, 1/8" NPT	33	2900005	2	Capscrew, Hex Hd., 3/8"-16 x 1"
12	3200002	1	Fitting, 3/4" Male Garden Hose to 3/8" Male Pipe	34	2900006	2	Lock Washer, 3/8" Split
13	2900278	1	Lanyard with Lock Pin for 14" & 20" Blade Guards				
	2900279	1	Lanyard with Lock Pin for 26" & 30" Blade Guards				
	2900280	1	Lanyard with Lock Pin for 36" Blade Guard				



**CC3728 Parts List**  
**Drawing VIII**  
**Diesel Engine Group**

Diagram Number	Part No.	Qty. Req.	Description	Diagram Number	Part No.	Qty. Req.	Description
1	2600198	1	Engine, 28 Hp Deutz Diesel	47	2900112	2	Hex Nut, 5/8"-11
2	6012036	1	PTO Shaft	48	6012038	2	Engine Mount
3	6011027	1	Bevel End Key, 3/8" Sq. x 3-1/4" Long	49	2900147	2	Capscrew, Hex Hd., 5/8"-11 x 1-3/4"
4	2900349	3	Capscrew, Hex Hd., M14 x 35mm	50	2900113	2	Lock Washer, 5/8" Split
5	6012037	1	Inner Ring Support	51	2900002	4	Flat Washer, 5/8" SAE
6	2900223	11	Capscrew, Hex Hd., M10 x 30mm	52	2900195	2	Capscrew, Hex Hd., 5/8"-11 x 3"
7	2900321	11	Lock Washer, M10 Split	53	2900135	2	Lock Nut, 5/8"-11 Nylon
8	2500658	1	Flange Cartridge Bearing, 1-3/4"	54	2900025	6	Capscrew, Hex Hd., 1/2"-13 x 1-1/4"
9	2900331	4	Capscrew, Hex Hd., M12 x 40mm	55	2900026	7	Lock Nut, 1/2"-13 Nylon
10	2900084	7	Lock Washer, 1/2" Split	56	6013030	1	Throttle Brace
11	2900058	6	Flat Washer, 1/2" SAE	57	2900031	10	Lock Washer, 5/16" Split
12	6012006	1	Accessory Drive Pulley, 1-3/4" Bore	58	2500940	1	Throttle Cable Clamp
13	2900142	14	Setscrew, Soc. Hd., 5/16"-18 x 3/8"	59	2900015	2	Capscrew, Hex Hd., #10-24 x 3/4"
14	6011009	1	Sheave, 3.65-6 Groove x 1-3/4" Bore for 14" & 20" Blade Guards	60	2900017	2	Lock Nut, #10-24 Nylon
	6012005	1	Sheave, 3.12-6 Groove x 1-3/4" Bore for 26" - 36" Blade Guards	61	6012039	1	Frame Lift
				62	2900139	2	Capscrew, Hex Hd., 1/2"-13 x 1-3/4"
15	2500298	6	V-Belt, 3VX475	63	6012040	1	Frame Lift Brace
	2500595	2	Banded Belt, 3VX475-3 Strand	64	2900013	1	Capscrew, Hex Hd., 3/8"-16 x 1-1/4"
16	6011009	1	Sheave, 3.65-6 Groove x 1-3/4" Bore for 14" Blade Guard	65	2900018	2	Lock Nut, 3/8"-16 Nylon
	6011010	1	Sheave, 4.12-6 Groove x 1-3/4" Bore for 20" & 26" Blade Guards	66	2900005	1	Capscrew, Hex Hd., 3/8"-16 x 1"
	6012052	1	Sheave, 4.75-6 Groove with 1-3/4" Taper Bushing for 30" & 36" Blade Guards	67	2500648	1	Fuel Tank, 6 Gallon
	2500367	1	(Sheave Only, 4.75-6 Groove)	68	2500649	1	Fuel Tank Cap with Gauge
	2500454	1	(Bushing Only, 1-3/4" Taper-Lock with Setscrews)	69	2500205	1	Fuel Tank Grommet
17	6013067	1	Oil Drain Hose Assembly (Includes #18 - #22)	70	6011083	2	Fuel Tank Mount Bar
18	3200180	1	Fitting, M18 x 1.5 Male to 1/2" Male JIC	71	2900138	4	Capscrew, Hex Hd., 5/16"-18 x 1"
19	3200181	1	Fitting, 1/2" Female JIC to 1/2" Push Lock	72	2900022	10	Flat Washer, 5/16" SAE
20	6013068	1	Oil Drain Hose, 1/2" I.D. x 36" Long	73	3200012	1	Street Elbow, 1/4" NPT
21	3200163	1	Fitting, 1/2" Female Pipe to 1/2" Push Lock	74	3200202	1	Fitting, 1/4" Male Pipe to 5/16" Hose Barb
22	3200160	1	Plug, 1/2" NPT	75	3200062	3	Hose Clamp #4
23	6013029	1	Throttle Arm	76	6013095	1	Fuel Line Hose, 5/16" I.D. x 4" Long
24	2900310	2	Capscrew, Hex Hd., M6 x 20mm	77	2500474	1	Fuel Filter with Clamps
25	2900024	2	Lock Washer, 1/4" Split	78	6013096	1	Fuel Line Hose, 5/16" I.D. x 27" Long
26	6048212	1	Pivot Pin	79	3200057	1	Elbow, 1/4" Male Pipe to 1/4" Male JIC
27	2900034	1	Cotter Pin, 3/32" x 3/4"	80	3200091	1	Fitting, 1/4" Female JIC to 1/4" Push Lock
28	2900059	1	Setscrew, Soc. Hd., #10-32 x 1/4"	81	6010103	1	Fuel Line Hose, 1/4" I.D. x 28" Long
29	6012043	1	Air Intake Hose Assembly (Includes #30 - #35)	82	6012041	1	Gauge Panel
30	3200197	2	Hose Clamp #52	83	2900021	6	Tapscrow, Pan Hd., #10-24 x 3/8"
31	2500669	1	Hose Elbow, 3" I.D.	84	2800064	1	Hour Meter
32	6010052	3	Connector Tube, 2-1/2" O.D.	85	2500376	1	Vernier Throttle Cable
33	3200096	6	Hose Clamp #40	86	2700783	1	Ignition Switch with Key
34	6012044	1	Air Cleaner Hose, 2-1/2" I. D. x 18" Long		2701261	1	(Ignition Key Only)
35	2500232	2	Hose Elbow, 2-1/2" I.D.	87	2700786	1	Oil Pressure Light (Green)
36	2500180	1	Air Cleaner, Complete		2700923	1	(Bulb Only)
	2500237	1	(Outer Primary Element)	88	2700787	1	Oil Temperature Light (Red)
	2500238	1	(Inner Safety Element)		2700923	1	(Bulb Only)
	2500239	1	(Rubber Dust Ejector Boot, 2")	89	2700785	1	Alternator Light (Orange)
37	2500105	1	Pre-Cleaner with Clamp		2700923	1	(Bulb Only)
	2500493	1	(Clear Plastic Bowl Only)	90	2500203	1	Grommet
38	2500423	1	Restriction Indicator	91	6012046	1	Idler Arm
39	2500107	2	Mounting Strap, 5-1/4"	92	2500074	1	Idler Pulley
40	2900019	10	Capscrew, Hex Hd., 5/16"-18 x 3/4"	93	2900047	1	Capscrew, Hex Hd., 3/8"-16 x 1-3/4"
41	2900039	6	Lock Nut, 5/16"-18 Nylon	94	2900006	1	Lock Washer, 3/8" Split
42	6013008	2	Engine Support Leg	95	2500007	1	Set Collar, 1/2"
43	2900346	2	Capscrew, Hex Hd., M12 x 80mm	96	6012017	1	Link Belt for Sundstrand Transmission
44	2900327	4	Lock Nut, M12 Nylon		6012068	1	Link Belt for Eaton Transmission
45	2900347	2	Capscrew, Hex Hd., M12 x 100mm		2500169	1	(Link Belt Assembly Tool)
46	2900104	2	Setscrew, Sq. Hd., 5/8"-11 x 6"	97	2900541	1	Tap Bolt, Hex Hd., 1/2"-13 x 2-3/4"
				98	2900037	1	Hex Nut, 1/2"-13
				99	2500195	1	Idler Spring, 3/8" x 7-3/4"
				100	2900055	1	Cotter Pin, 3/16" x 1"
				101	2701339	1	Fuel Filter Only
				102	2900289	2	Capscrew, Hex Hd., 5/16"-18 x 2-1/4"
				103	2900446	2	Swivel Pad Nut, 5/8"-11
				104	2800386	1	Vacuum Switch



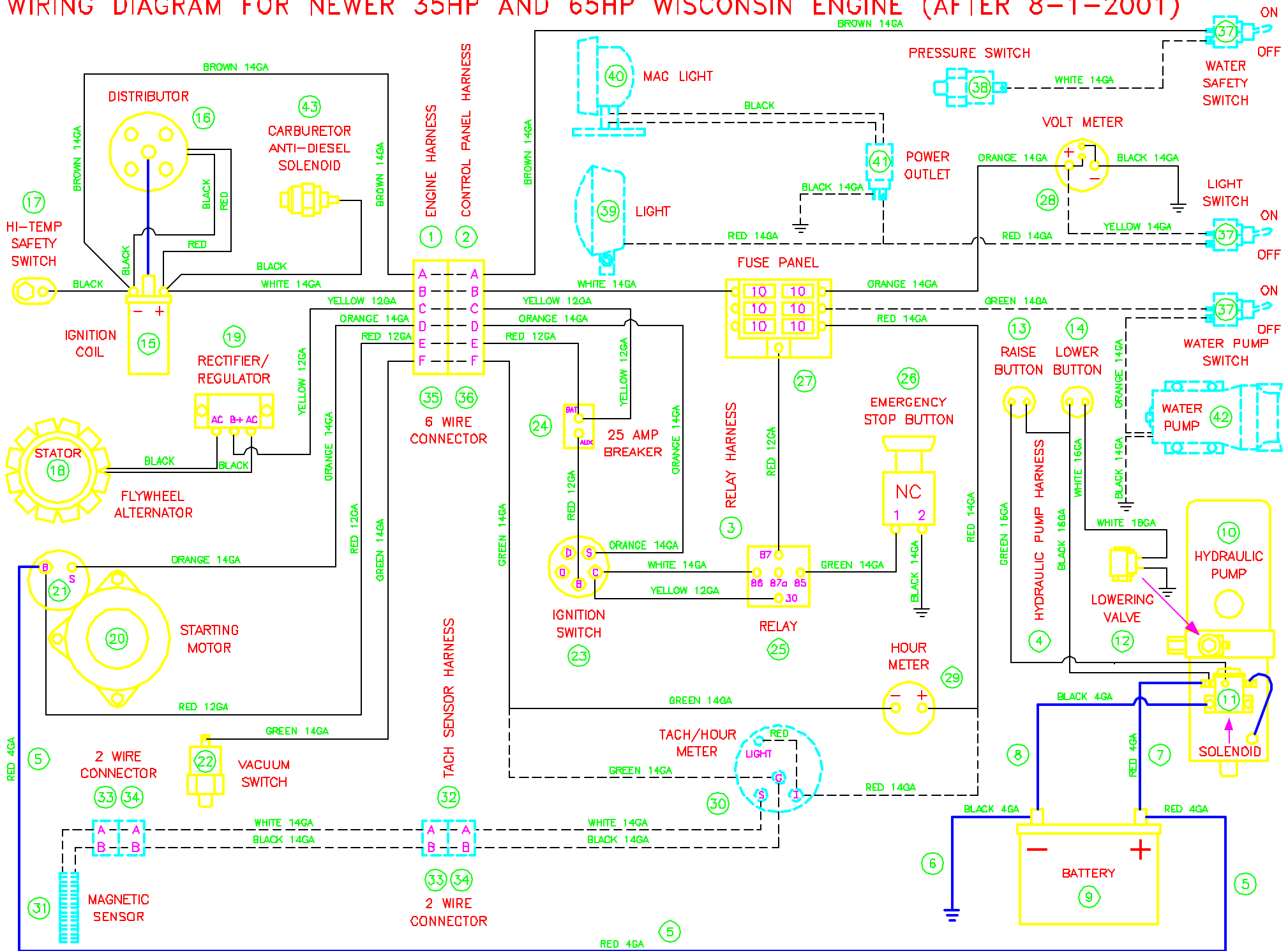
**NOTE:** CIRCLED NUMBERS APPLY TO CC3740E ONLY  
 SQUARED NUMBERS APPLY TO CC3730E ONLY

**CC3700E Parts List**  
**Drawing IX**  
**Motor and Starter Group**

Diagram Number	Part No.	Qty. Req.	Description	Diagram Number	Part No.	Qty. Req.	Description
1	2600133	1	Motor, 25 Hp Leeson	39	6010147	1	Sheave, 4.12-8 Groove x 1-3/4" Bore for 20" Blade Guard
2	2900139	4	Capscrew, Hex Hd., 1/2"-13 x 1-3/4"		6010149	1	Sheave, 4.50-8 Groove x 1-3/4" Bore for 26" Blade Guard
3	2900084	4	Lock Washer, 1/2" Split		6012062	1	Sheave, 5.00-8 Groove with 1-3/4" Taper Bushing for 30" Blade Guard
4	2900058	4	Flat Washer, 1/2" SAE		6012053	1	Sheave, 5.30-8 Groove with 1-3/4" QD Bushing for 36" Blade Guard
5	6012018	2	Motor Spacer	40	2700812	1	Soft Start Control Box
6	6010011	1	Motor Base	41	2900005	4	Capscrew, Hex Hd., 3/8"-16 x 1"
7	2900512	4	Capscrew, Hex Hd., 5/8"-11 x 1-1/4"	42	2900014	16	Flat Washer, 3/8" SAE
8	2900113	5	Lock Washer, 5/8" Split	43	2500381	1	Plug, 2-5/8 Hole
9	2900002	10	Flat Washer, 5/8" SAE	44	6012030	1	Dash Cover Panel
10	6011095	1	Bevel End Key, 1/2" Sq. x 3-1/4" Long	45	2900021	8	Tapscrew, Pan Hd., #10-24 x 3/8"
11	6012019	1	Accessory Drive Pulley, 1-7/8" Bore	46	2500554	1	Plug, 1-1/2 Hole
12	2900142	14	Setscrew, Soc. Hd., 5/16"-18 x 3/8"	47	6010240	1	Meter Panel (Hour)
13	6011093	1	Sheave, 5.30-6 Groove with 1-7/8" Taper Bushing for 14" Blade Guard	48	6010241	1	Meter Panel (Tach/Hour)
	6011094	1	Sheave, 4.75-6 Groove with 1-7/8" Taper Bushing for 20" Blade Guard	49	2701488	1	Transformer (For 575V Motor)
	6012024	1	Sheave, 4.12-6 Groove x 1-7/8" Bore for 26" & 30" Blade Guards	50	2800293	1	Transformer (For 50HZ Motor)
	6012056	1	Sheave, 3.65-6 Groove x 1-7/8" Bore for 36" Blade Guard	51	2900008	4	Capscrew, Hex Hd., 1/4"-20 x 1"
14	2500371	6	V-Belt, 3VX500	52	2900009	8	Flat Washer, 1/4" SAE
	2500511	2	Banded Belt, 3VX500-3 Strand	53	2900024	4	Lock Washer, 1/4" Split
15	6012005	1	Sheave, 3.12-6 Groove x 1-3/4" Bore for 14" Blade Guard	54	2900125	4	Hex Nut, 1/4"-20
	6011009	1	Sheave, 3.65-6 Groove x 1-3/4" Bore for 20" Blade Guard	55	2500678	4	Vibration Isolator, 3/8"-16
	6011010	1	Sheave, 4.12-6 Groove x 1-3/4" Bore for 26" Blade Guard	56	2800217	1	Amp Meter, 25HP 0-100 AC
	6012052	1	Sheave, 4.75-6 Groove with 1-3/4" Taper Bushing for 30" & 36" Blade Guards	57	2800203	1	Amp Meter, 30HP 0-100 AC
16	6012017	1	Link Belt for Sundstrand Transmission	58	2800141	1	Amp Meter, 40HP 0-100 AC
	6012068	1	Link Belt for Eaton Transmission	59	2800215	1	Starter Box Assembly (Includes #56 - #74)
	2500169	1	(Link Belt Assembly Tool)	60	2701870	1	Disconnect Handle (Red / Black)
17	6010194	1	Idler Assembly (Includes #18 - #26)	61	2701871	1	Handle Shaft Only
18	2500074	1	Idler Pulley	62	2800245	1	Reset Button
19	6048218	1	Idler Arm	63	6011096	1	Stop Button Assembly
20	2900013	1	Capscrew, Hex Hd., 3/8"-16 x 1-1/4"	64	2800199	1	(Stop Button Body Only)
21	2900006	14	Lock Washer, 3/8" Split	65	2800201	1	(Red Mushroom Cap)
22	2900521	1	Tap Bolt, Hex Hd., 3/8"-16 x 2-1/2"	66	2800200	1	(Contact Block N.C.)
23	2900018	1	Lock Nut, 3/8"-16 Nylon	67	6011097	1	Start Button Assembly
24	2900033	13	Hex Nut, 3/8"-16	68	2701390	1	(Start Button Body Only)
25	2500195	1	Idler Spring, 3/8" x 7-3/4"	69	2800317	1	(Green Cap)
26	2900055	1	Cotter Pin, 3/16" x 1"	70	2800222	1	(Clear Protective Boot)
27	2600185	1	Motor, 40 Hp Lincoln	71	2701392	1	(Contact Block N.O.)
	<u>2600182</u>	1	Motor, 30 Hp Lincoln	72	2800224	1	Battery Charge Amp Meter, 12V-DC
28	2900137	4	Capscrew, Hex Hd., 5/8"-11 x 3-1/4"	73	2701274	1	Rectifier Bridge
	<u>2900025</u>	4	Capscrew, Hex Hd., 1/2"-13 x 1-1/4"	74	2800299	2	Dual Fuse Holder, 30A-600V
29	2900135	5	Lock Nut, 5/8"-11 Nylon	75	2701066	1	Fuse ATQR 10A (For Control Circuit)
30	2900385	2	Setscrew, Sq. Hd., 5/8"-11 x 8"	76	2701307	1	Fuse ATMR 25A (For Battery Charger)
31	2900112	2	Hex Nut, 5/8"-11	77	2800400	1	Auxiliary Contact, N.O. (Siemens)
32	2900527	4	Capscrew, Hex Hd., 5/8"-11 x 2-1/2"	78	2800235	1	Auxiliary Contact, N.O. (Furnas)
33	6012035	2	Motor Connect Spacer		2800401	1	Motor Contactor (Siemens)
34	6012034	2	Motor Spacer		2800402	1	Coil, 24V-AC (Siemens)
35	6010161	1	Bevel End Key, 1/2" Sq. x 4" Long		2701084	1	Motor Contactor (Furnas)
36	6010182	1	Accessory Drive Pulley, 2-1/8" Bore		2701294	1	Coil, 24V-AC (Furnas)
37	6010291	1	Sheave, 5.60-8 Groove with 2-1/8" QD Bushing for 20" Blade Guard	67	2800248	1	Current Transformer (for AC Amp Meter)
	6010293	1	Sheave, 5.00-8 Groove with 2-1/8" Taper Bushing for 26" Blade Guard	68	2701267	1	Disconnect Block 80A
	6010295	1	Sheave, 4.75-8 Groove with 2-1/8" Taper Bushing for 30" Blade Guard	69	2800315	1	Grounding Lug
	6010237	1	Sheave, 4.12-8 Groove x 2-1/8" Bore for 36" Blade Guard	70	2701273	2	Fuse ATQR 4A (For Transformer)
38	2500188	8	V-Belt, 3VX560	71	2800403	1	Overload Relay, Range 25-100A (Siemens)
	2500589	2	Banded Belt, 3VX560-4 Strand	72	2701068	1	Overload Relay, Range 30-60A (Furnas)
				73	2701295	1	Power Relay, 12V-DC
				74	6011098	1	Terminal Assembly
				75	2701299	1	Transformer, 500VA
				76	2800279	1	Reducer Bushing, 2" to 1"
					<u>2800270</u>	1	Reducer Bushing, 1-1/2" to 1"
					2800280	2	Lock Nut, 2" Sealing
					<u>2800241</u>	2	Lock Nut, 1-1/2" Sealing
				77	2900195	1	Capscrew, Hex Hd., 5/8"-11 x 3"
				78	2900446	2	Swivel Pad Nut, 5/8"-11

Note: Underlined part numbers apply to CC3730E Saw only.

# WIRING DIAGRAM FOR NEWER 35HP AND 65HP WISCONSIN ENGINE (AFTER 8-1-2001)





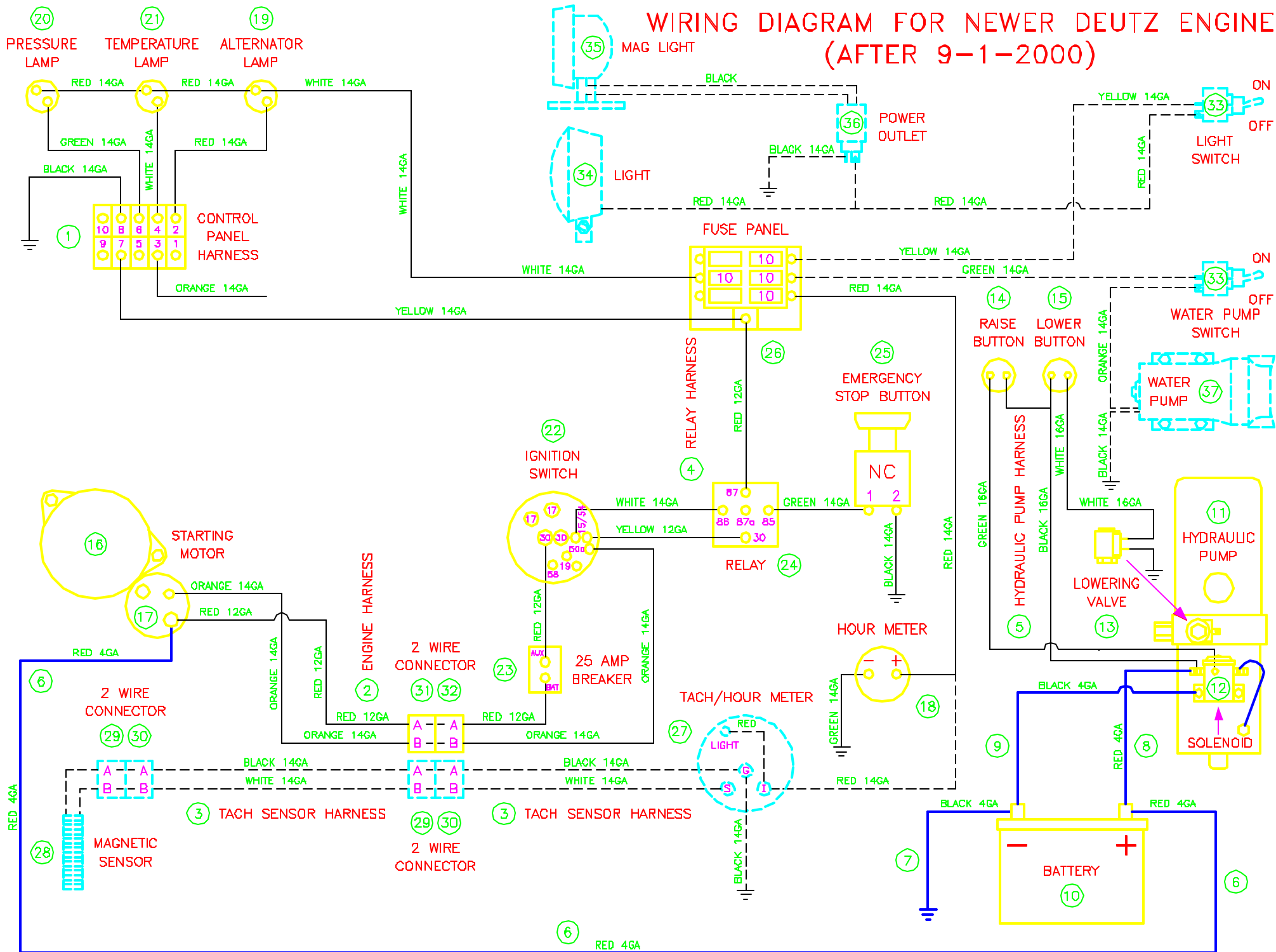
---

**Wiring Diagram**  
**35Hp / 65Hp Wisconsin Engine**  
**(After 9-1-2000)**

---

Diagram Number	Part No.	Qty. Req.	Description	Diagram Number	Part No.	Qty. Req.	Description
1	2800390	1	Engine Harness (Includes #35)	28	2800271	1	Volt Meter
2	2800391	1	Control Panel Harness (Includes #36)	29	2800064	1	Hour Meter
3	2800392	1	Relay Harness	30	2800168	1	Optional Tach/Hour Meter
4	2800393	1	Hydraulic Pump Harness		2800267	1	Light Bulb, Wedge Base
5	2800073	1	Battery Cable, Positive (Red)	31	2800169	1	Optional Magnetic Sensor (Includes #33)
6	2800072	1	Battery Cable, Negative (Black)	32	2800397	1	Optional Tach Sensor Harness (Includes #33 & #34)
7	2800095	1	Solenoid Cable, Positive (Red)				
8	2800182	1	Ground Cable, Negative (Black)	33	2800145	2	Optional Connector, 2 Wire Shroud
9	2700208	1	Battery, 12 Volt		2800114	4	Male Terminal, 14/16 Gage Wire
10	2600070	1	Hydraulic Pump Unit (Includes #11 and #12)		2800174	4	Cable Seal, Gray
11	2700169	1	Solenoid, Motor	34	2800146	2	Optional Connector, 2 Wire Tower
12	2700243	1	Valve Coil		2800115	4	Female Terminal, 14/16 Gage Wire
	2700244	1	Valve Stem		2800174	4	Cable Seal, Gray
13	2800372	1	Pushbutton Switch, Raise	35	2800110	1	Connector, 6 Wire Shroud
14	2800373	1	Pushbutton Switch, Lower		2800114	4	Male Terminal, 14/16 Gage Wire
15	2700205	1	Ignition Coil		2800112	2	Male Terminal, 12 Gage Wire
16	2701474	1	Distributor for 35HP Engine		2800174	4	Cable Seal, Gray
	2701475	1	Distributor for 65HP Engine		2800175	2	Cable Seal, Blue
17	2700299	1	High Temperature Safety Switch	36	2800111	1	Connector, 6 Wire Tower
18	2701634	1	Flywheel Alternator, 30 Amp		2800115	4	Female Terminal, 14/16 Gage Wire
19	2701023	1	Rectifier/Regulator Module		2800113	2	Female Terminal, 12 Gage Wire
20	2700247	1	Starting Motor (Includes #21)		2800174	4	Cable Seal, Gray
21	2700282	1	Solenoid Switch		2800175	2	Cable Seal, Blue
22	2800386	1	Vacuum Switch	37	2800062	3	Optional Toggle Switch
23	2500220	1	Ignition Switch		2800063	3	Switch Boot
24	2800387	1	Circuit Breaker, 25 Amp	38	2800060	1	Optional Water Pressure Safety Switch
	2800364	1	Circuit Breaker Boot, Red	39	2500194	1	Optional Spot Light, 12 Volt
25	2800144	1	Relay	40	2501087	1	Optional Magnetic Base Light, 12 Volt
	2800263	1	Relay Connector	41	2800374	1	Optional Power Outlet, 12 Volt
	2800264	4	Wire Terminal, 1/4" Push-on		2800375	1	Outlet Cap
26	2800213	1	Emergency Stop Button	42	2600200	1	Optional Water Pump, Diaphragm
	2800229	1	Contact Block N.C.	43	2701030	1	Anti-Diesel Solenoid Valve for 65HP Engine Only
27	2800388	1	Fuse Panel, 6 Circuit				
	2800389	6	Fuse, 10 Amp Red ATO/ATC				

# WIRING DIAGRAM FOR NEWER DEUTZ ENGINE (AFTER 9-1-2000)



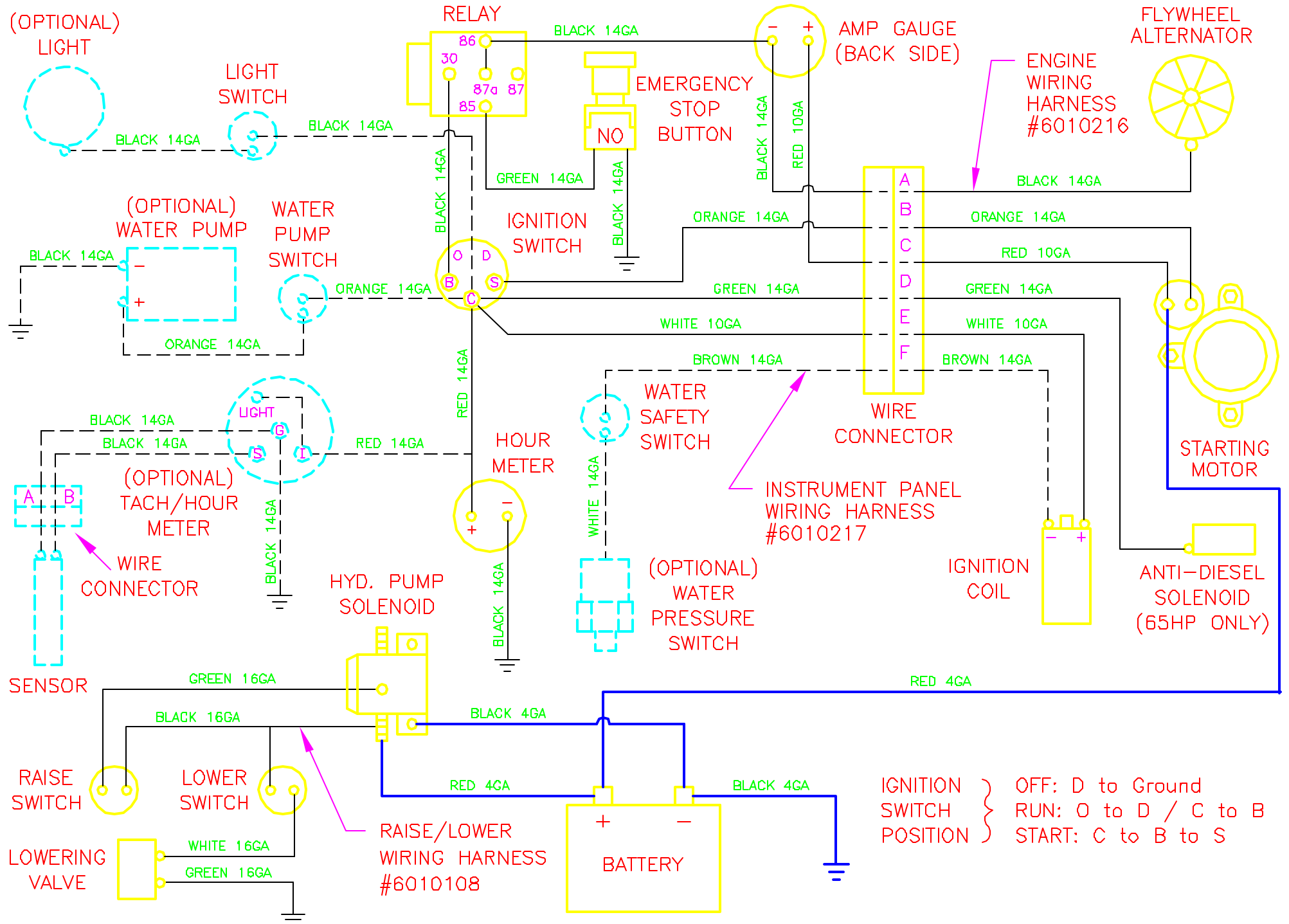
---

**Wiring Diagram**  
**28Hp Deutz Diesel**  
**(After 9-1-2000)**

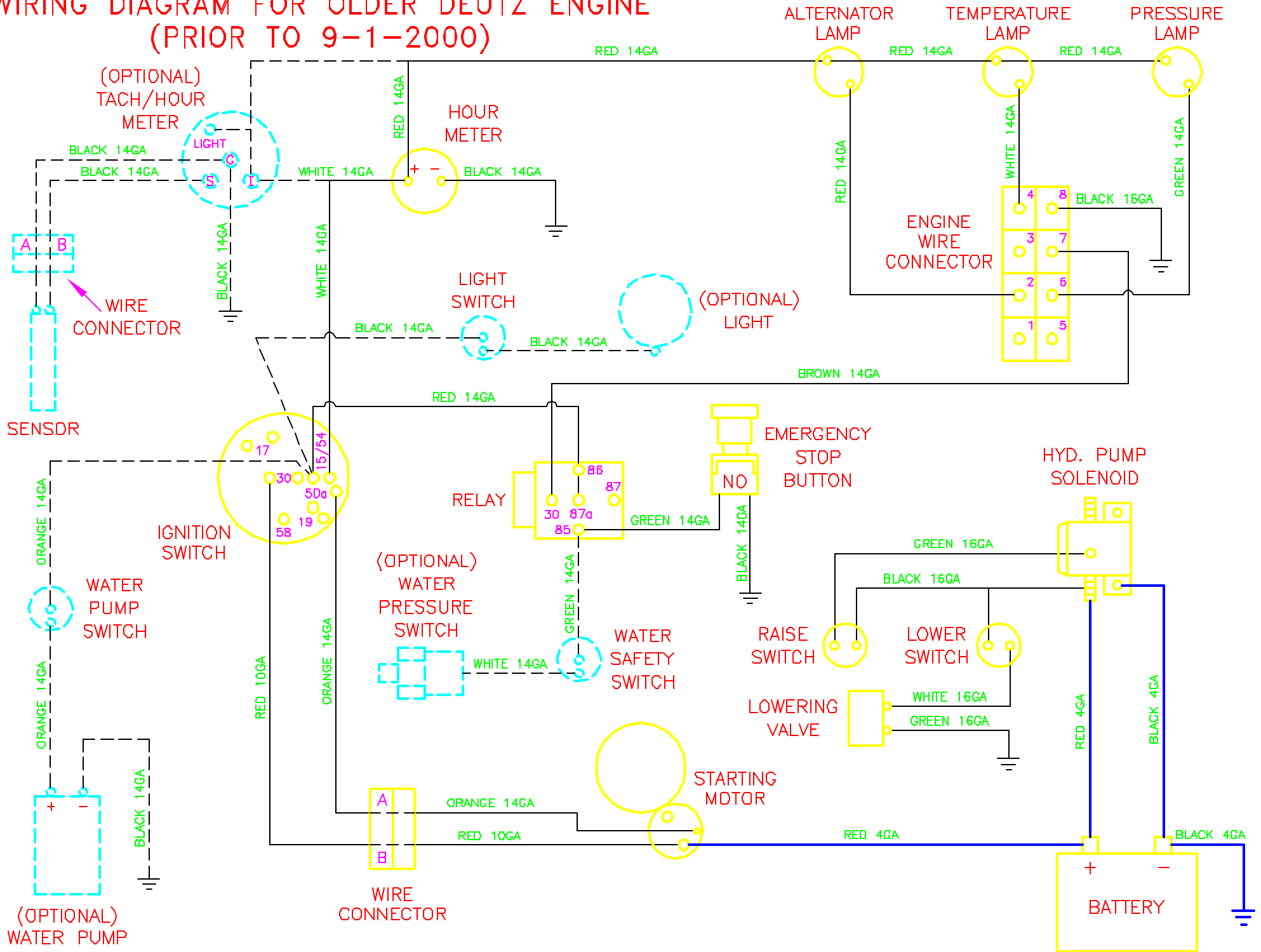
---

Diagram Number	Part No.	Qty. Req.	Description	Diagram Number	Part No.	Qty. Req.	Description
1	2800396	1	Control Panel Harness	25	2800213	1	Emergency Stop Button
2	2800429	1	Engine Harness (Includes #31 & #32)		2800229	1	Contact Block N.C.
3	2800397	1	Optional Tach Sensor Harness (Includes #29 & #30)	26	2800388	1	Fuse Panel, 6 Circuit
4	2800392	1	Relay Harness		2800389	6	Fuse, 10 Amp Red ATO/ATC
5	2800393	1	Hydraulic Pump Harness	27	2800168	1	Optional Tach/Hour Meter
6	2800073	1	Battery Cable, Positive (Red)		2800267	1	Light Bulb, Wedge Base
7	2800072	1	Battery Cable, Negative (Black)	28	2800169	1	Optional Magnetic Sensor (Includes #29)
8	2800095	1	Solenoid Cable, Positive (Red)	29	2800145	2	Optional Connector, 2 Wire Shroud
9	2800182	1	Ground Cable, Negative (Black)		2800114	4	Male Terminal, 14/16 Gage Wire
10	2700208	1	Battery, 12 Volt		2800174	4	Cable Seal, Gray
11	2600070	1	Hydraulic Pump Unit (Includes #12 and #13)	30	2800146	2	Optional Connector, 2 Wire Tower
12	2700169	1	Solenoid, Motor		2800115	4	Female Terminal, 14/16 Gage Wire
13	2700243	1	Valve Coil		2800174	4	Cable Seal, Gray
	2700244	1	Valve Stem	31	2800145	1	Connector, 2 Wire Shroud
14	2800372	1	Pushbutton Switch, Raise		2800114	1	Male Terminal, 14/16 Gage Wire
15	2800373	1	Pushbutton Switch, Lower		2800112	1	Male Terminal, 12 Gage Wire
16	2701821	1	Starting Motor (Includes #17)		2800174	1	Cable Seal, Gray
17	2701823	1	Solenoid Switch		2800175	1	Cable Seal, Blue
18	2800064	1	Hour Meter	32	2800146	1	Connector, 2 Wire Tower
19	2700785	1	Alternator Light (Orange)		2800115	1	Female Terminal, 14/16 Gage Wire
	2700923	1	(Bulb Only)		2800113	1	Female Terminal, 12 Gage Wire
20	2700786	1	Oil Pressure Light (Green)		2800174	1	Cable Seal, Gray
	2700923	1	(Bulb Only)		2800175	1	Cable Seal, Blue
21	2700787	1	Oil Temperature Light (Red)	33	2800062	2	Optional Toggle Switch
	2700923	1	(Bulb Only)		2800063	2	Switch Boot
22	2700783	1	Ignition Switch with Key	34	2500194	1	Optional Spot Light, 12 Volt
	2701261	1	(Ignition Key Only)	35	2501087	1	Optional Magnetic Base Light, 12 Volt
23	2800387	1	Circuit Breaker, 25 Amp	36	2800374	1	Optional Power Outlet, 12 Volt
	2800364	1	Circuit Breaker Boot, Red		2800375	1	Outlet Cap
24	2800144	1	Relay	37	2600200	1	Optional Water Pump, Diaphragm
	2800263	1	Relay Connector				
	2800264	4	Wire Terminal, 1/4" Push-on				

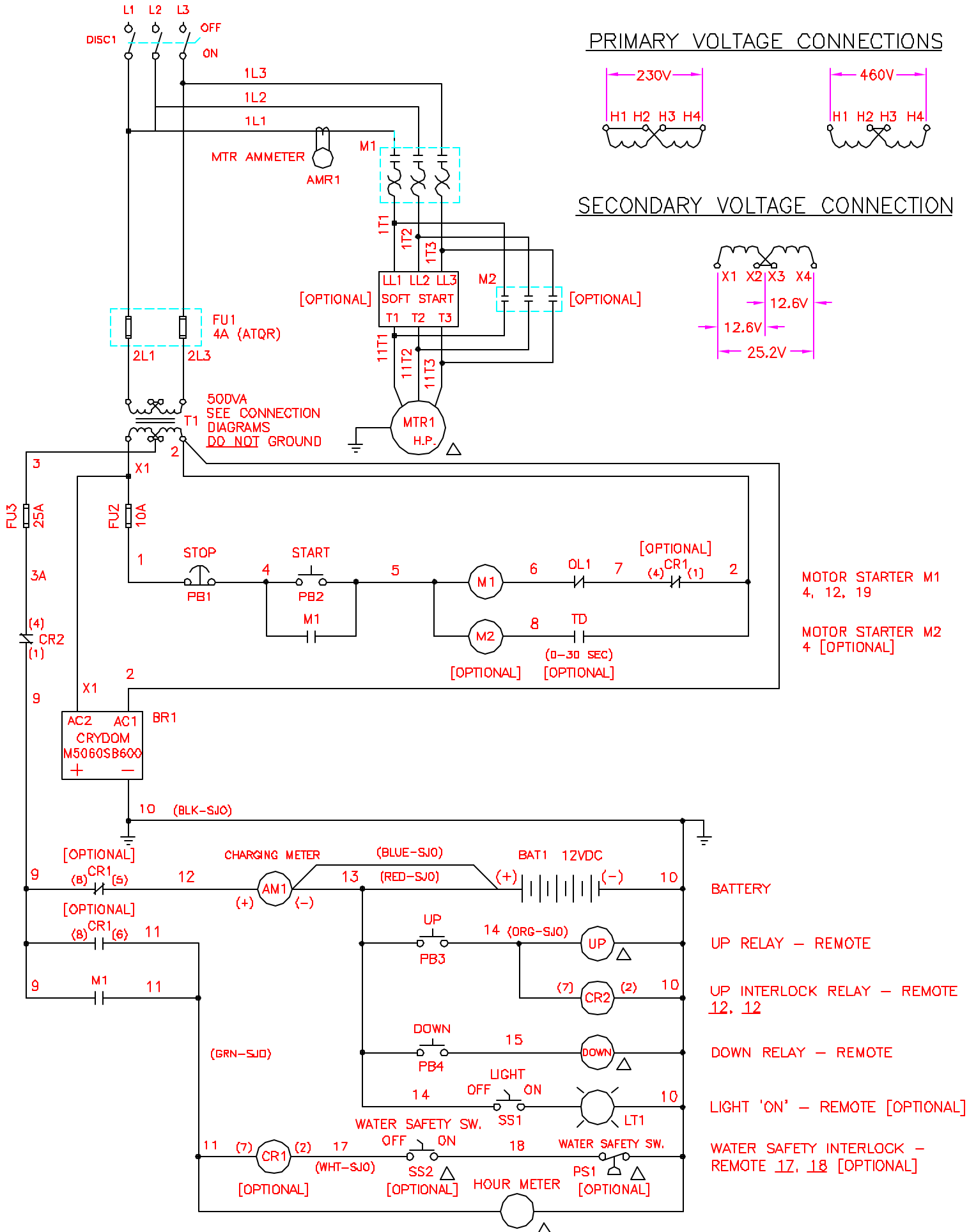
# WIRING DIAGRAM FOR OLDER 37HP & 65HP WISCONSIN ENGINE (PRIOR TO 9-1-2000)



# WIRING DIAGRAM FOR OLDER DEUTZ ENGINE (PRIOR TO 9-1-2000)



# WIRING DIAGRAM FOR ELECTRIC SAW



## Blade / Engine Speed (RPM) Chart Model CC3737 Concrete Saw

**WARNING:** Do not exceed Bladeshift speed (RPM) shown for each blade size. Excessive Blade Speed could result in blade breakage and serious personal injury.

Blade Size	Max Depth of Cut
14"	4-5/8"
20"	7-5/8"
26"	10-5/8"
30"	11-3/4"
36"	14-3/4"

Blade Size	Bladeshift		Engine		Governor Setting
	No Load RPM	Sheave Size	No Load RPM	Sheave Size	
14"	2,875	3.65"	2,550	4.12"	11
20"	2,550	4.12"	2,550	4.12"	11
26"	1,950	4.12"	2,200	3.65"	9
30"	1,700	4.75"	2,200	3.65"	9
36"	1,425	4.75"	1,850	3.65"	6

**CAUTION:** When changing blade size, use chart shown below for selecting items that must be changed.

Model CC3737	14"	20"	26"	30"	36"
Blade Guard Assembly	6010070	6010072	6010074	6010076	6010260
Engine Sheave, 1-3/4" Bore (Sheave Size)	6012027 (4.12")	6012027 (4.12")	6012026 (3.65")	6012026 (3.65")	6012026 (3.65")
Bladeshift Sheave, 1-3/4" Bore (Sheave Size)	6012026 (3.65")	6012027 (4.12")	6012027 (4.12")	6012033 (4.75")	6012033 (4.75")
Inner Flanges (Flange Size)	6010036 (4.50")	6010036 (4.50")	6010036 (4.50")	6010038 (6.25")	6010038 (6.25")
Outer Flange (Flange Size)	6010037 (4.50")	6010037 (4.50")	6010037 (4.50")	6010039 (6.25")	6010039 (6.25")
Skid Plate Mounting Holes	Bottom Set	Bottom Set	Bottom Set	Top Set	Top Set

**Options Available:**

- #6011032 Water Pump Kit - includes 12 Volt Pump, Toggle Switch, Hose and Fittings.
- #6010112 Spotlight Kit - includes 12 Volt Light, Mounting Bar and Bracket, Lock Knobs, Toggle Switch.
- #2700258 Vertical Muffler Kit - includes Muffler, Clamp and Rain Cap.
- #6010179 Free Wheeling Clutch Kit - includes Clutch Sprocket and Hub, Engage/Disengage Lever, Linkage.
- #6047932 Water Safety Switch Kit – includes Safety Shut-off Switch and Toggle Switch.
- #6010226 Bladeshift Tachometer Kit - includes Tach/Hour Meter, Magnetic Sensor, Gear, Wiring Harness.
- #6010227 Lowering Speed Metering Valve Kit - includes Metering Valve, Check Valve, Hydraulic Hose & Fittings.
- #6011170 Magnetic Spotlight Kit – includes 12 Volt Light with Magnetic Base, Power Outlet, Toggle Switch.
- #6012074/5 Catalytic Converter Kit – includes Catalytic Muffler, Air Pump, Belt, Hoses, Pulley, Hardware, Remote Oil Filter Mount.
- #6010249 Extended Bladeshift Kit (3/4" to 1-1/2") – includes 5" Extended Outer Flange, Bolt, 20" Extra Wide Blade Guard.
- #6010229 Extended Bladeshift Kit (1-1/2" to 2-1/4") – includes Shaft Extension, 5" Outer Flange, Nut, 20" Extra Wide Blade Guard.
- #6010185 Side Plunge Kit – includes Bladeshift, 8" Flanges, and 20" Extra Wide Blade Guard.

## Blade / Engine Speed (RPM) Chart Model CC3728 Concrete Saw

**WARNING:** Do not exceed Bladeshaft speed (RPM) shown for each blade size. Excessive Blade Speed could result in blade breakage and serious personal injury.

Blade Size	Max Depth of Cut
14"	4-5/8"
20"	7-5/8"
26"	10-5/8"
30"	11-3/4"
36"	14-3/4"

Blade Size	Bladeshaft		Engine	
	No Load RPM	Sheave Size	No Load RPM	Sheave Size
14"	3,000	3.65"	3,000	3.65"
20"	2,475	4.12"	2,800	3.65"
26"	1,900	4.12"	2,500	3.12"
30"	1,650	4.75"	2,500	3.12"
36"	1,400	4.75"	2,150	3.12"

**CAUTION:** When changing blade size, use chart shown below for selecting items that must be changed.

Model CC3728	14"	20"	26"	30"	36"
Blade Guard Assembly	6010070	6010072	6010074	6010076	6010260
Engine Sheave, 1-3/4" Bore (Sheave Size)	6011009 (3.65")	6011009 (3.65")	6012005 (3.12")	6012005 (3.12")	6012005 (3.12")
Bladeshaft Sheave, 1-3/4" Bore (Sheave Size)	6011009 (3.65")	6011010 (4.12")	6011010 (4.12")	6012052 (4.75")	6012052 (4.75")
Inner Flanges (Flange Size)	6010036 (4.50")	6010036 (4.50")	6010036 (4.50")	6010038 (6.25")	6010038 (6.25")
Outer Flange (Flange Size)	6010037 (4.50")	6010037 (4.50")	6010037 (4.50")	6010039 (6.25")	6010039 (6.25")
Skid Plate Mounting Holes	Bottom Set	Bottom Set	Bottom Set	Top Set	Top Set

**Options Available:**

- #6011032 Water Pump Kit - includes 12 Volt Pump, Toggle Switch, Hose and Fittings.
- #6010112 Spotlight Kit - includes 12 Volt Light, Mounting Bar and Bracket, Lock Knobs, Toggle Switch.
- #6010179 Free Wheeling Clutch Kit - includes Clutch Sprocket and Hub, Engage/Disengage Lever, Linkage.
- #6047932 Water Safety Switch Kit – includes Safety Shut-off Switch and Toggle Switch.
- #6010226 Bladeshaft Tachometer Kit - includes Tach/Hour Meter, Magnetic Sensor, Gear, Wiring Harness.
- #6010227 Lowering Speed Metering Valve Kit - includes Metering Valve, Check Valve, Hydraulic Hose & Fittings.
- #6011170 Magnetic Spotlight Kit – includes 12 Volt Light with Magnetic Base, Power Outlet, Toggle Switch.
- #6010249 Extended Bladeshaft Kit (3/4" to 1-1/2") – includes 5" Extended Outer Flange, Bolt, 20" Extra Wide Blade Guard.
- #6010229 Extended Bladeshaft Kit (1-1/2" to 2-1/4") – includes Shaft Extension, 5" Outer Flange, Nut, 20" Extra Wide Blade Guard.
- #6010185 Side Plunge Kit – includes Bladeshaft, 8" Flanges, and 20" Extra Wide Blade Guard.



## Blade / Engine Speed (RPM) Chart Model CC3765 Concrete Saw

**WARNING:** Do not exceed Bladeshift speed (RPM) shown for each blade size. Excessive Blade Speed could result in blade breakage and serious personal injury.

Blade Size	Max Depth of Cut
14"	4-5/8"
20"	7-5/8"
26"	10-5/8"
30"	11-3/4"
36"	14-3/4"

Blade Size	Bladeshift		Engine		Governor Setting
	No Load RPM	Sheave Size	No Load RPM	Sheave Size	
14"	2,900	4.12"	3,000	4.00"	10
20"	2,450	4.50"	2,750	4.00"	9
26"	1,950	4.50"	2,200	4.00"	6
30"	1,650	5.30"	2,200	4.00"	6
36"	1,400	5.30"	1,850	4.00"	4

**CAUTION:** When changing blade size, use chart shown below for selecting items that must be changed.

Model CC3765	14"	20"	26"	30"	36"
Blade Guard Assembly	6010070	6010072	6010074	6010076	6010260
Engine Sheave, 1-3/4" Bore (Sheave Size)	6010147 (4.12")	6010149 (4.50")	6010149 (4.50")	6012053 (5.30")	6012053 (5.30")
Engine Belts (8) (Belt Size)	2500438 (3VX530)	2500438 (3VX530)	2500438 (3VX530)	2500188 (3VX560)	2500188 (3VX560)
Inner Flanges (Flange Size)	6010036 (4.50")	6010036 (4.50")	6010036 (4.50")	6010038 (6.25")	6010038 (6.25")
Outer Flange (Flange Size)	6010037 (4.50")	6010037 (4.50")	6010037 (4.50")	6010039 (6.25")	6010039 (6.25")
Skid Plate Mounting Holes	Bottom Set	Bottom Set	Bottom Set	Top Set	Top Set
Engine Base Mounting Holes	Front Set	Front Set	Front Set	Rear Set	Rear Set

**Options Available:**

- #6011032 Water Pump Kit - includes 12 Volt Pump, Toggle Switch, Hose and Fittings.
- #6010112 Spotlight Kit - includes 12 Volt Light, Mounting Bar and Bracket, Lock Knobs, Toggle Switch.
- #2700143 Vertical Muffler Kit - includes Muffler, Clamp and Rain Cap.
- #6010179 Free Wheeling Clutch Kit - includes Clutch Sprocket and Hub, Engage/Disengage Lever, Linkage.
- #6047932 Water Safety Switch Kit – includes Safety Shut-off Switch and Toggle Switch.
- #6010226 Bladeshift Tachometer Kit - includes Tach/Hour Meter, Magnetic Sensor, Gear, Wiring Harness.
- #6010227 Lowering Speed Metering Valve Kit - includes Metering Valve, Check Valve, Hydraulic Hose & Fittings.
- #6011170 Magnetic Spotlight Kit – includes 12 Volt Light with Magnetic Base, Power Outlet, Toggle Switch.
- #6012071/2 Catalytic Converter Kit – includes Catalytic Muffler, Air Pump, Belt, Hoses, Pulley, Hardware.
- #6010249 Extended Bladeshift Kit (3/4" to 1-1/2") – includes 5" Extended Outer Flange, Bolt, 20" Extra Wide Blade Guard.
- #6010229 Extended Bladeshift Kit (1-1/2" to 2-1/4") – includes Shaft Extension, 5" Outer Flange, Nut, 20" Extra Wide Blade Guard.
- #6010181 Oil Cooler Kit – includes Cooler, Oil Filter, Adapters, Hose and Fittings.
- #6010185 Side Plunge Kit – includes Bladeshift, 8" Flanges, and 20" Extra Wide Blade Guard.

## Blade / Engine Speed (RPM) Chart Model CC3725E and CC3730E Concrete Saw

**WARNING:** Do not exceed Bladeshift speed (RPM) shown for each blade size. Excessive Blade Speed could result in blade breakage and serious personal injury.

Blade Size	Max Depth of Cut
14"	4-5/8"
20"	7-5/8"
26"	10-5/8"
30"	11-3/4"
36"	14-3/4"

Blade Size	Bladeshift		Motor	
	No Load RPM	Sheave Size	No Load RPM	Sheave Size
14"	3,050	3.12"	1,800	5.30"
20"	2,350	3.65"	1,800	4.75"
26"	1,800	4.12"	1,800	4.12"
30"	1,550	4.75"	1,800	4.12"
36"	1,375	4.75"	1,800	3.65"

**CAUTION:** When changing blade size, use chart shown below for selecting items that must be changed.

Model CC3725E / CC3730E	14"	20"	26"	30"	36"
Blade Guard Assembly	6010070	6010072	6010074	6010076	6010260
Motor Sheave, 1-7/8" Bore (Sheave Size)	6011093 (5.30")	6011094 (4.75")	6012024 (4.12")	6012024 (4.12")	6012056 (3.65")
Bladeshift Sheave, 1-3/4" Bore (Sheave Size)	6012005 (3.12")	6011009 (3.65")	6011010 (4.12")	6012052 (4.75")	6012052 (4.75")
Inner Flanges (Flange Size)	6010036 (4.50")	6010036 (4.50")	6010036 (4.50")	6010038 (6.25")	6010038 (6.25")
Outer Flange (Flange Size)	6010037 (4.50")	6010037 (4.50")	6010037 (4.50")	6010039 (6.25")	6010039 (6.25")
Skid Plate Mounting Holes	Bottom Set	Bottom Set	Bottom Set	Top Set	Top Set

**Options Available:**

- #6011032 Water Pump Kit - includes 12 Volt Pump, Toggle Switch, Hose and Fittings.
- #6010112 Spotlight Kit - includes 12 Volt Light, Mounting Bar and Bracket, Lock Knobs, Toggle Switch.
- #6047932 Water Safety Switch Kit – includes Safety Shut-off Switch and Toggle Switch.
- #6010226 Bladeshift Tachometer Kit - includes Tach/Hour Meter, Magnetic Sensor, Gear, Wiring Harness.
- #6010227 Lowering Speed Metering Valve Kit - includes Metering Valve, Check Valve, Hydraulic Hose & Fittings.
- #6010228 Soft Start Controller Kit – includes Controller Assembly Box and Wiring.
- #6011170 Magnetic Spotlight Kit – includes 12 Volt Light with Magnetic Base, Power Outlet, Toggle Switch.
- #6010249 Extended Bladeshift Kit (3/4" to 1-1/2") – includes 5" Extended Outer Flange, Bolt, 20" Extra Wide Blade Guard.
- #6010229 Extended Bladeshift Kit (1-1/2" to 2-1/4") – includes Shaft Extension, 5" Outer Flange, Nut, 20" Extra Wide Blade Guard.
- #6010185 Side Plunge Kit – includes Bladeshift, 8" Flanges, and 20" Extra Wide Blade Guard.

## Blade / Engine Speed (RPM) Chart Model CC3740E Concrete Saw

**WARNING:** Do not exceed Bladeshaft speed (RPM) shown for each blade size. Excessive Blade Speed could result in blade breakage and serious personal injury.

Blade Size	Max Depth of Cut
20"	7-5/8"
26"	10-5/8"
30"	11-3/4"
36"	14-3/4"

Blade Size	Bladeshaft		Motor	
	No Load RPM	Sheave Size	No Load RPM	Sheave Size
20"	2,450	4.12"	1,800	5.60"
26"	2,000	4.50"	1,800	5.00"
30"	1,700	5.00"	1,800	4.75"
36"	1,400	5.30"	1,800	4.12"

**CAUTION:** When changing blade size, use chart shown below for selecting items that must be changed.

Model CC3740E	20"	26"	30"	36"
Blade Guard Assembly	6010072	6010074	6010076	6010260
Motor Sheave, 2-1/8" Bore (Sheave Size)	6010291 (5.60")	6010293 (5.00")	6010295 (4.75")	6010237 (4.12")
Bladeshaft Sheave, 1-3/4" Bore (Sheave Size)	6010147 (4.12")	6010149 (4.50")	6012062 (5.00")	6012053 (5.30")
Inner Flanges (Flange Size)	6010036 (4.50")	6010036 (4.50")	6010038 (6.25")	6010038 (6.25")
Outer Flange (Flange Size)	6010037 (4.50")	6010037 (4.50")	6010039 (6.25")	6010039 (6.25")
Skid Plate Mounting Holes	Bottom Set	Bottom Set	Top Set	Top Set

**Options Available:**

- #6011032 Water Pump Kit - includes 12 Volt Pump, Toggle Switch, Hose and Fittings.
- #6010112 Spotlight Kit - includes 12 Volt Light, Mounting Bar and Bracket, Lock Knobs, Toggle Switch.
- #6047932 Water Safety Switch Kit – includes Safety Shut-off Switch and Toggle Switch.
- #6010226 Bladeshaft Tachometer Kit - includes Tach/Hour Meter, Magnetic Sensor, Gear, Wiring Harness.
- #6010227 Lowering Speed Metering Valve Kit - includes Metering Valve, Check Valve, Hydraulic Hose & Fittings.
- #6010228 Soft Start Controller Kit – includes Controller Assembly Box and Wiring.
- #6011170 Magnetic Spotlight Kit – includes 12 Volt Light with Magnetic Base, Power Outlet, Toggle Switch.
- #6010249 Extended Bladeshaft Kit (3/4" to 1-1/2") – includes 5" Extended Outer Flange, Bolt, 20" Extra Wide Blade Guard.
- #6010229 Extended Bladeshaft Kit (1-1/2" to 2-1/4") – includes Shaft Extension, 5" Outer Flange, Nut, 20" Extra Wide Blade Guard.
- #6010185 Side Plunge Kit – includes Bladeshaft, 8" Flanges, and 20" Extra Wide Blade Guard.

# GOVERNOR SETTING

## Wisconsin Engine Model VG4D 37 HP

**GOVERNOR ADJUSTMENT** —The governor rod connection to the carburetor must be very carefully adjusted for length, otherwise the governor will not function properly and cause the engine to surge badly. With the engine at rest, the governor spring will keep the flyweights *in*, and the control rod must be of such length as to hold the carburetor throttle wide open at that point.

With the *control rod* disconnected from the *governor lever*, push the rod toward the carburetor as far as it will go. This will put the *carburetor throttle lever* in a wide open position. The governor lever should then be moved as far as possible in the same direction. Holding both parts in the above position, the rod should be screwed in or out of the *swivel block* on the carburetor, until the bent end of the rod will register with *hole* in lever, then screw rod in one more turn. The extra turn will shorten the linkage slightly and will enable the carburetor throttle lever to bounce back from the stop pin rather than jam against the pin. when a load is suddenly applied to an idling engine. This will eliminate excessive wear on the threads in the carburetor throttle swivel block.

**GOVERNOR LEVER** — The governor lever, *Fig. 17*, is furnished with 12 holes for attaching the governor spring. It is very important that the spring is hooked into the proper hole to suit the speed at which the engine is to be operated. The Governor Lever Chart shows the full load and no load speeds of the engine and the hole corresponding thereto, for either a fixed speed, a variable speed or two speed (over-center idle control) governor. Note that the *full load* speed is less than the *no load* speed and this must be taken into consideration when readjusting the governor. As an example; if the engine is to be operated at 2000 revolutions per minute under load, the spring should be hooked into the 8th hole in the governor lever and the spring tension adjusted, by means of the adjusting screw, to run 2125 R.P.M. under no load. The speed at full load will then be approximately 2000 revolutions per minute.

A tachometer or revolution counter should be used against the crankshaft to check speed while adjusting the governor spring tension. Tightening the adjusting screw locknut will give higher speeds, while loosening the locknut will lower the spring tension and reduce the R.P.M.

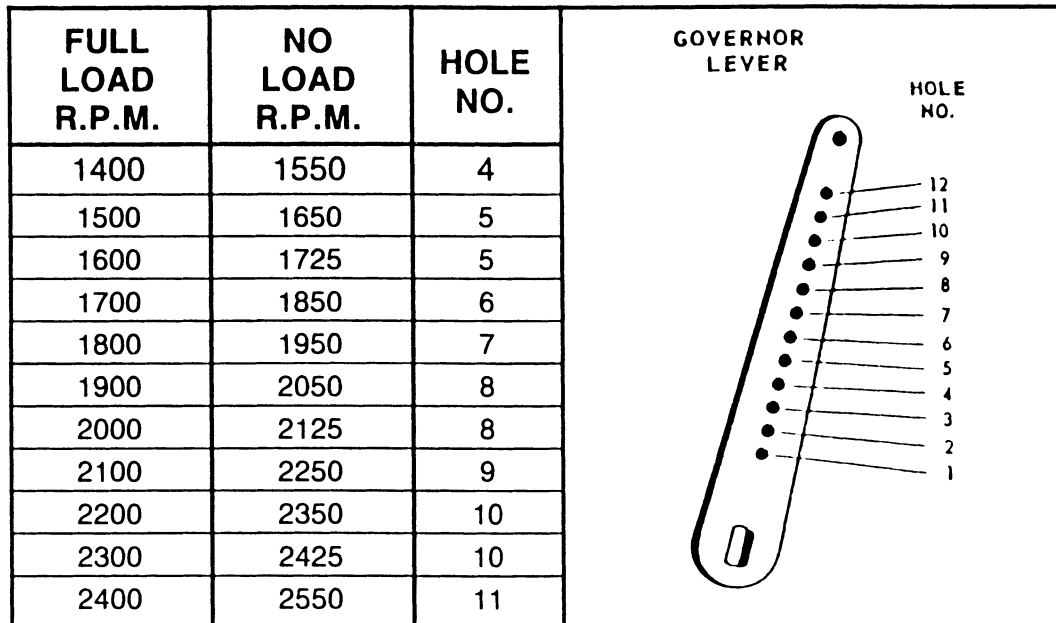


FIG. 17

# GOVERNOR SETTING

## Wisconsin Engine Model V-465D 65 HP

**GOVERNOR ADJUSTMENT** (Fig. 16, Fig. 17) —The governor rod connection to the carburetor must be very carefully adjusted for length, otherwise the governor will not function properly and cause the engine to surge badly. With the engine at rest, the governor spring will keep the flyweights *in*, and the control rod must be of such length as to hold the carburetor throttle wide open at that point.

With the *control rod* disconnected from the *governor lever*, as illustrated in Fig. 16, push the rod toward the carburetor as far as it will go. This will put the *carburetor throttle lever* in a wide open position. The governor lever should then be moved as far as possible in the same direction. Holding both parts in the above position, the rod should be screwed in or out of the *swivel block* on the carburetor, until the bent end of the rod will register with *hole* in lever, then screw rod in one more turn. The extra turn will shorten the linkage slightly and will enable the carburetor throttle lever to bounce back from the stop pin rather than jam against the pin, when a load is suddenly applied to an idling engine. This will eliminate excessive wear on the threads in the carburetor throttle swivel block.

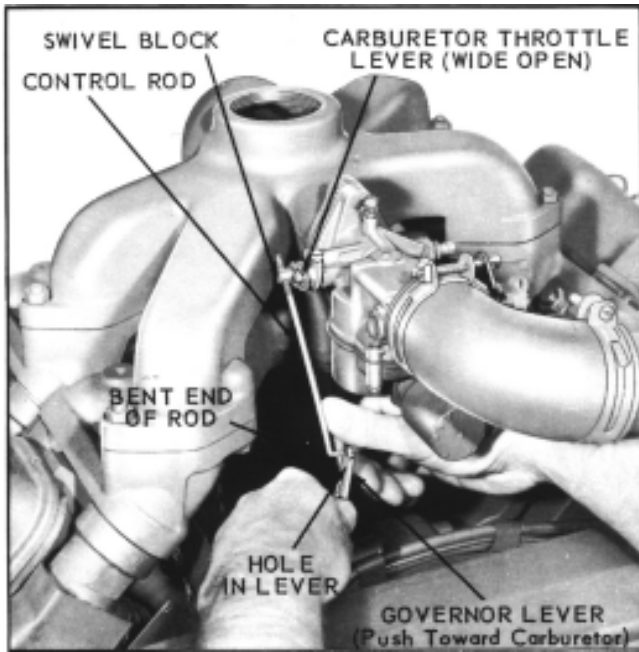


FIG. 16

**Caution:** Never run engine with governor disconnected.

**GOVERNOR LEVER** — The governor lever, Fig. 17, is furnished with 12 holes for attaching the governor spring. It is very important that the spring is hooked into the proper hole to suit the speed at which the engine is to be operated. The Governor Lever Chart shows the full load and no load speeds of the engine and the hole corresponding thereto, for either a fixed speed, a variable speed or two speed (over-center idle control) governor. Note that the *full load* speed is less than the *no load* speed and this must be taken into consideration when readjusting the governor. As an example; if the engine is to be operated at 2000 revolutions per minute under load, the spring should be hooked into the 6th hole in the governor lever and the spring tension adjusted, by means of the adjusting screw, to run 2200 R.P.M. under no load. The speed at full load will then be approximately 2000 revolutions per minute.

A tachometer or revolution counter should be used against the crankshaft to check speed while adjusting the governor spring tension. Tightening the adjusting screw locknut will give higher speeds, while loosening the locknut will lower the spring tension and reduce the R.P.M.

FULL LOAD R.P.M.	NO LOAD R.P.M.	HOLE NO.	GOVERNOR LEVER	HOLE NO.
1500	1685	3		12
1600	1825	4		11
1700	1855	4		10
1800	2000	5		9
1900	2055	5		8
2000	2200	6		7
2100	2230	6		6
2200	2375	7		5
2300	2440	7		4
2400	2545	8		3
2500	2695	9		2
2600	2745	9		1
2700	2810	9		
2800	2935	10		
2900	3065	11		
3000	3175	12		

TELEDYNE WISCONSIN MOTOR

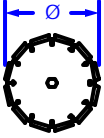

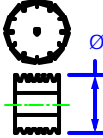
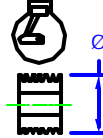

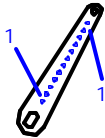
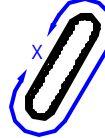
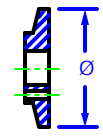

FIG. 17

MILWAUKEE, WISCONSIN 53219

**⚠ WARNING: Do not exceed blade speed (RPM) shown for each blade size. Excessive blade speed could result in blade breakage and serious personal injury!**

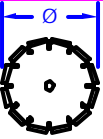

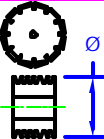
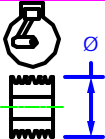

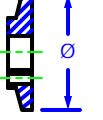

### CC3765 RPM CHART

BLADE SIZE	BLADE RPM	BLADESHAFT SHEAVE	ENGINE SHEAVE	ENGINE RPM	GOVERNOR HOLE	BELT SIZE	FLANGE SIZE	MAX CUT DEPTH
14"	2,900	4.12"	4.00"	3,000	10	3VX530	4-1/2"	4-5/8"
20"	2,450	4.50"	4.00"	2,750	9	3VX530	4-1/2"	7-5/8"
26"	1,950	4.50"	4.00"	2,200	6	3VX530	4-1/2"	10-5/8"
30"	1,650	5.30"	4.00"	2,200	6	3VX560	6-1/4"	11-3/4"
36"	1,400	5.30"	4.00"	1,850	4	3VX560	6-1/4"	14-3/4"

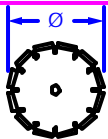

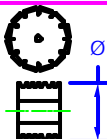
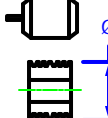
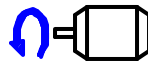
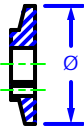
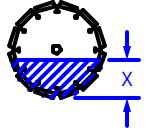










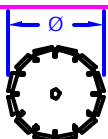

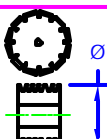
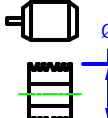
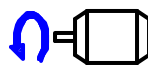
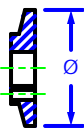
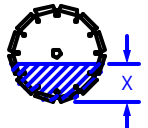
### CC3728 RPM CHART

BLADE SIZE	BLADE RPM	BLADESHAFT SHEAVE	ENGINE SHEAVE	ENGINE RPM	FLANGE SIZE	MAX CUT DEPTH
14"	3,000	3.65"	3.65"	3,000	4-1/2"	4-5/8"
20"	2,475	4.12"	3.65"	2,800	4-1/2"	7-5/8"
26"	1,900	4.12"	3.12"	2,500	4-1/2"	10-5/8"
30"	1,650	4.75"	3.12"	2,500	6-1/4"	11-3/4"
36"	1,400	4.75"	3.12"	2,150	6-1/4"	14-3/4"

**⚠ WARNING: Do not exceed blade speed (RPM) shown for each blade size. Excessive blade speed could result in blade breakage and serious personal injury!**

CC3740E RPM CHART						
BLADE SIZE	BLADE RPM	BLADESHAFT SHEAVE	MOTOR SHEAVE	MOTOR RPM	FLANGE SIZE	MAX CUT DEPTH
20"	2,450	4.12"	5.60"	1,800	4-1/2"	7-5/8"
26"	2,000	4.50"	5.00"	1,800	4-1/2"	10-5/8"
30"	1,700	5.00"	4.75"	1,800	6-1/4"	11-3/4"
36"	1,400	5.30"	4.12"	1,800	6-1/4"	14-3/4"
						

CC3725E / CC3730E RPM CHART						
BLADE SIZE	BLADE RPM	BLADESHAFT SHEAVE	MOTOR SHEAVE	MOTOR RPM	FLANGE SIZE	MAX CUT DEPTH
14"	3,050	3.12"	5.30"	1,800	4-1/2"	4-5/8"
20"	2,350	3.65"	4.75"	1,800	4-1/2"	7-5/8"
26"	1,800	4.12"	4.12"	1,800	4-1/2"	10-5/8"
30"	1,550	4.75"	4.12"	1,800	6-1/4"	11-3/4"
36"	1,375	4.75"	3.65"	1,800	6-1/4"	14-3/4"
						

## **EQUIPMENT AND PARTS WARRANTY**

Diamond Products warrants all equipment manufactured by it against defects in workmanship or materials for a period of one (1) year from the date of shipment to Customer.

The responsibility of Diamond Products under this Warranty is limited to replacement or repair of defective parts at Diamond Products' Elyria, Ohio factory, or at a point designated by it, of such parts as shall appear to us upon inspection at such point, to have been defective in material or workmanship, with expense for transportation and labor borne by Customer.

In no event shall Diamond Products be liable for consequential or incidental damages arising out of the failure of any Product to operate properly.

Integral units such as engines, electric motors, batteries, transmissions, etc., are excluded from this Warranty and are subject to the prime manufacturer's warranty.

**THIS WARRANTY IS IN LIEU OF ALL OTHER WARRANTIES, EXPRESSED OR IMPLIED, AND ALL SUCH OTHER WARRANTIES ARE HEREBY DISCLAIMED.**



333 Prospect Street, Elyria, Ohio 44035  
(440) 323-4616 • (800) 321-5336 • Fax (440) 323-8689  
[www.diamondproducts.com](http://www.diamondproducts.com)