

**DIAMOND**  
PRODUCTS

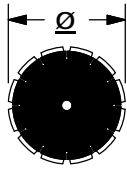
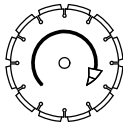

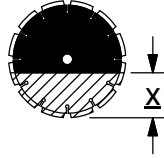
CONCRETE SAW  
PARTS LIST

**MODEL**  
**CC4130E-XL**

April 2012

Part #1801935

**WARNING: NEVER EXCEED THE MAXIMUM RPM STAMPED ON BLADE!  
HIGHER SPEEDS CAN CAUSE BLADE BREAKAGE AND SERIOUS PERSONAL INJURY OR DEATH!**

<b>CC 4130E BLADE RPM CHART</b>			
<u>BLADE SIZE</u>	<u>BLADE RPM</u>	<u>GEARBOX RANGE</u>	<u>MAX CUT DEPTH</u>
14"	3,050	H	3-3/4"
20"	2,015	M	6-3/4"
26"	2,015	M	9-3/4"
30"	1,340	L	11-3/4"
36"	1,340	L	14-3/4"
			

**ALWAYS USE BLADE GUARDS!**

**RECOMMENDED POWER CORD,  
30HP, 460V, 3PH**

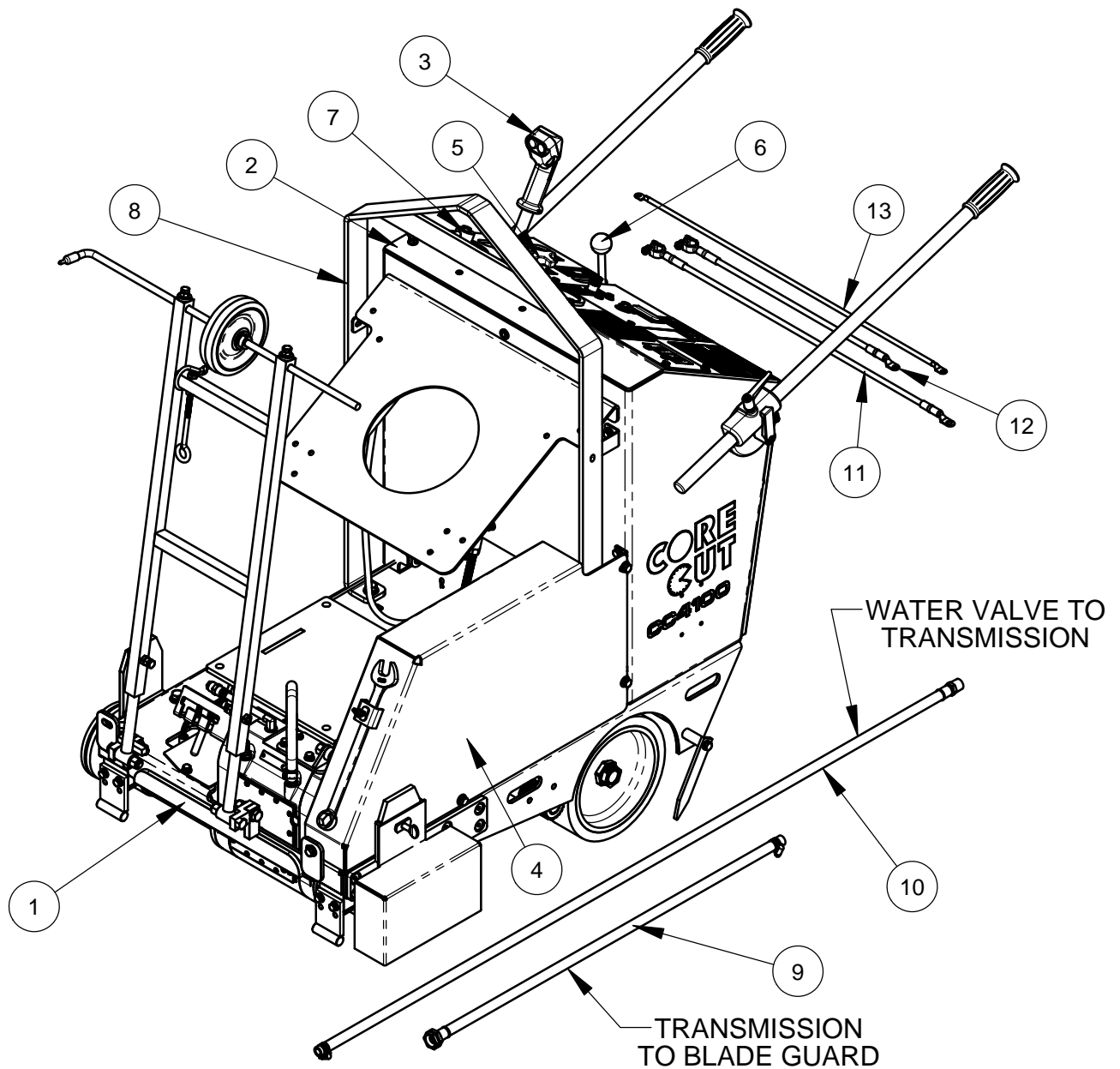
FEET	GAUGE
50	8
100	6
150	4
200	2

**WARNING  
DISCONNECT ELECTRIC POWER  
BEFORE PERFORMING MAINTENANCE**

# Table of Contents CC4130E

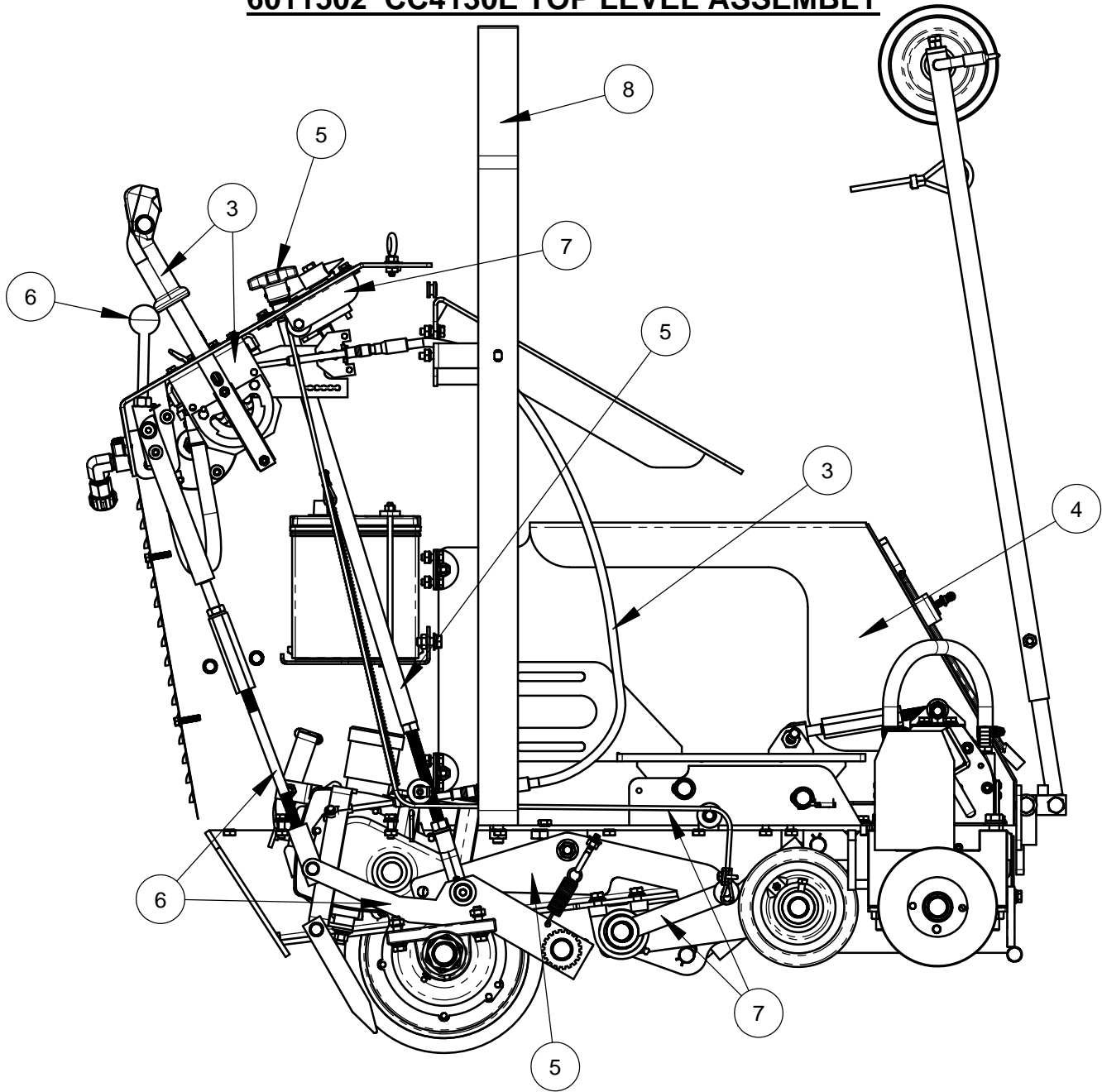
<u>Description</u>	<u>Page No.</u>
1. Top Level Assembly .....	4,5
2. Electric Schematic.....	6
3. Frame Assembly .....	8,9
4. Upright Assembly .....	10,11
5. Speed Control Assembly .....	12-14
6. Belt Guard Assembly .....	15
7. Depth Stop Assembly .....	16
8. Positraction Engagement Assembly .....	17,18
9. Depth Indicator Assembly .....	19
10. Lift Bar Assembly .....	20
11. Front Axle Assembly .....	21
10. Differential Assembly .....	22,23
11. Transmission Assembly .....	24-34
12. Differential Jackshaft Assembly .....	35
13. Pointer Assembly .....	36
14. Battery Assembly .....	37
15. Instrument Panel.....	38,39
16. Handle Assembly.....	40
17. Motor & Starter Assembly .....	42-45
18. Motor & Starter, Soft Start .....	46-49
19. Blade Guards, 14-36” .....	50-54
20. Spotlight Option .....	55
21. Water Pump Option .....	56,57
22. Second Blade Mount Option.....	58
23. Warranty.....	Rear Cover

## 6011502 CC4130E TOP LEVEL ASSEMBLY



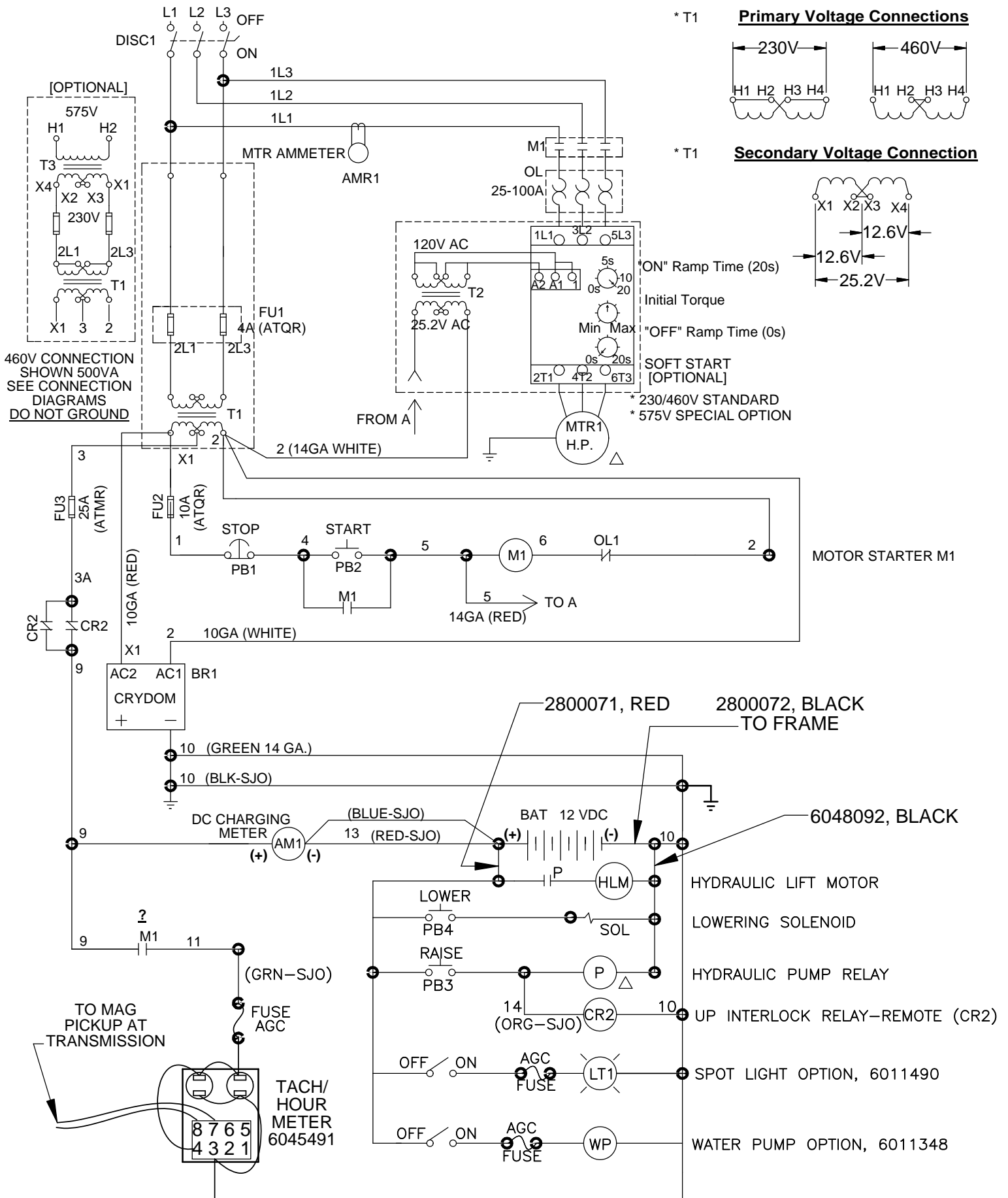
ITEM	PART NO.	QTY.	DESCRIPTION
1	6012198	1	Frame Assembly
2	6045352	1	Upright Console Assembly
3	6045038	1	Speed Control Assembly
4	6045497	1	Belt Guard Assy.
5	6045040	1	Depth Stop Assembly
6	6045033	1	Positraction Engagement Assembly
7	6011398	1	Depth Indicator Assembly
8	6012206	1	Lift Bar Assembly
9	6010998	1	Water Hose Assembly, 36"
10	6010896	1	Water Hose, 1/2 x 66"
11	2800072	1	Battery Cable, 30" Negative (Black)
12	2800071	1	Battery Cable, 21" Positive (Red)
13	6048092	1	Battery Cable Assy., Black

## 6011502 CC4130E TOP LEVEL ASSEMBLY



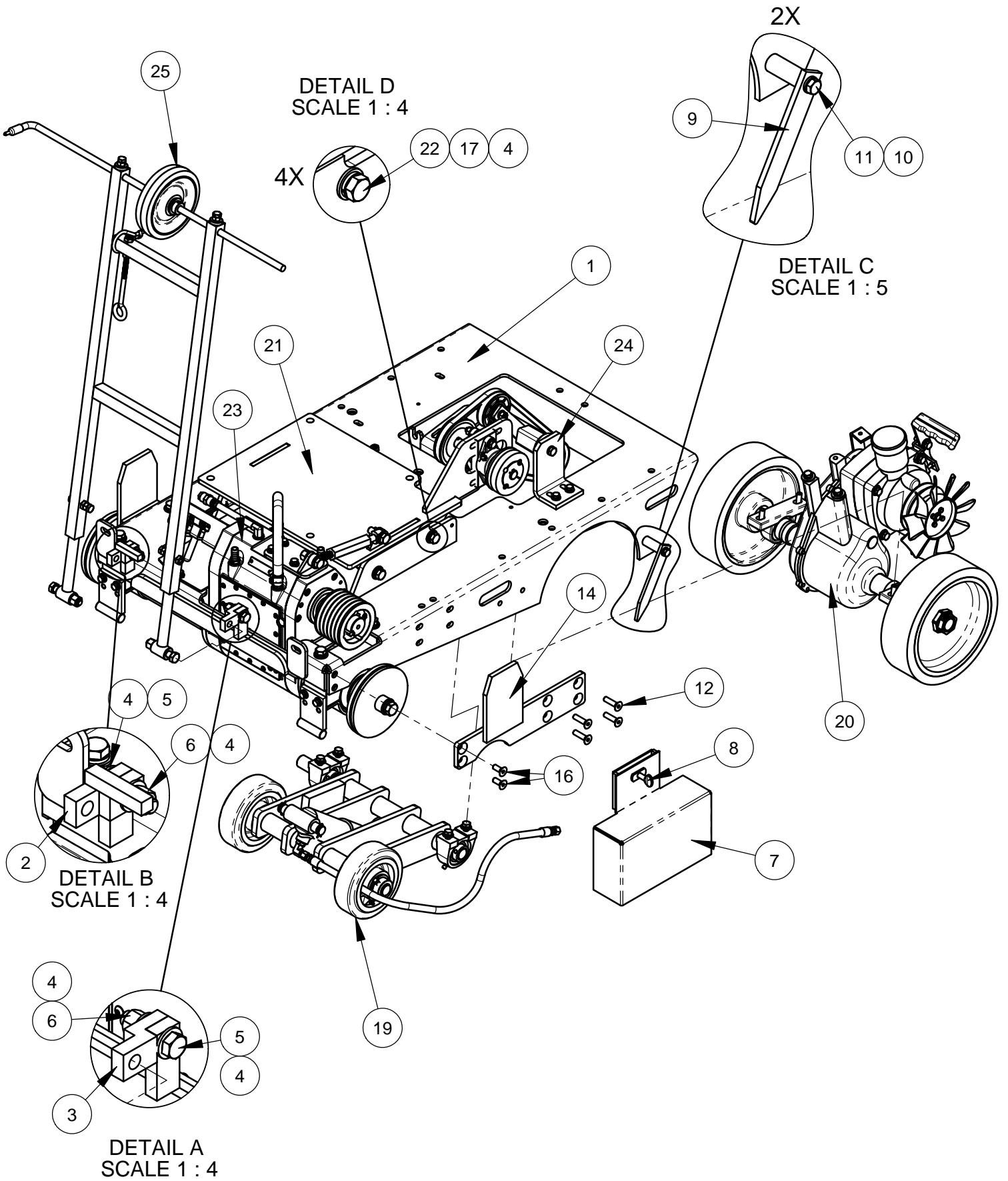
ITEM	PART NO.	QTY.	DESCRIPTION
1	6012198	1	Frame Assembly
2	6045352	1	Upright Console Assembly
3	6045038	1	Speed Control Assembly
4	6045497	1	Belt Guard Assy.
5	6045040	1	Depth Stop Assembly
6	6045033	1	Positraction Engagement Assembly
7	6011398	1	Depth Indicator Assembly
8	6012206	1	Lift Bar Assembly
9	6010998	1	Water Hose Assembly, 36"
10	6010896	1	Water Hose, 1/2 x 66"
11	2800072	1	Battery Cable, 30" Negative (Black)
12	2800071	1	Battery Cable, 21" Positive (Red)
13	6048092	1	Battery Cable Assy., Black

# 6011502 WIRING SCHEMATIC, 4130E



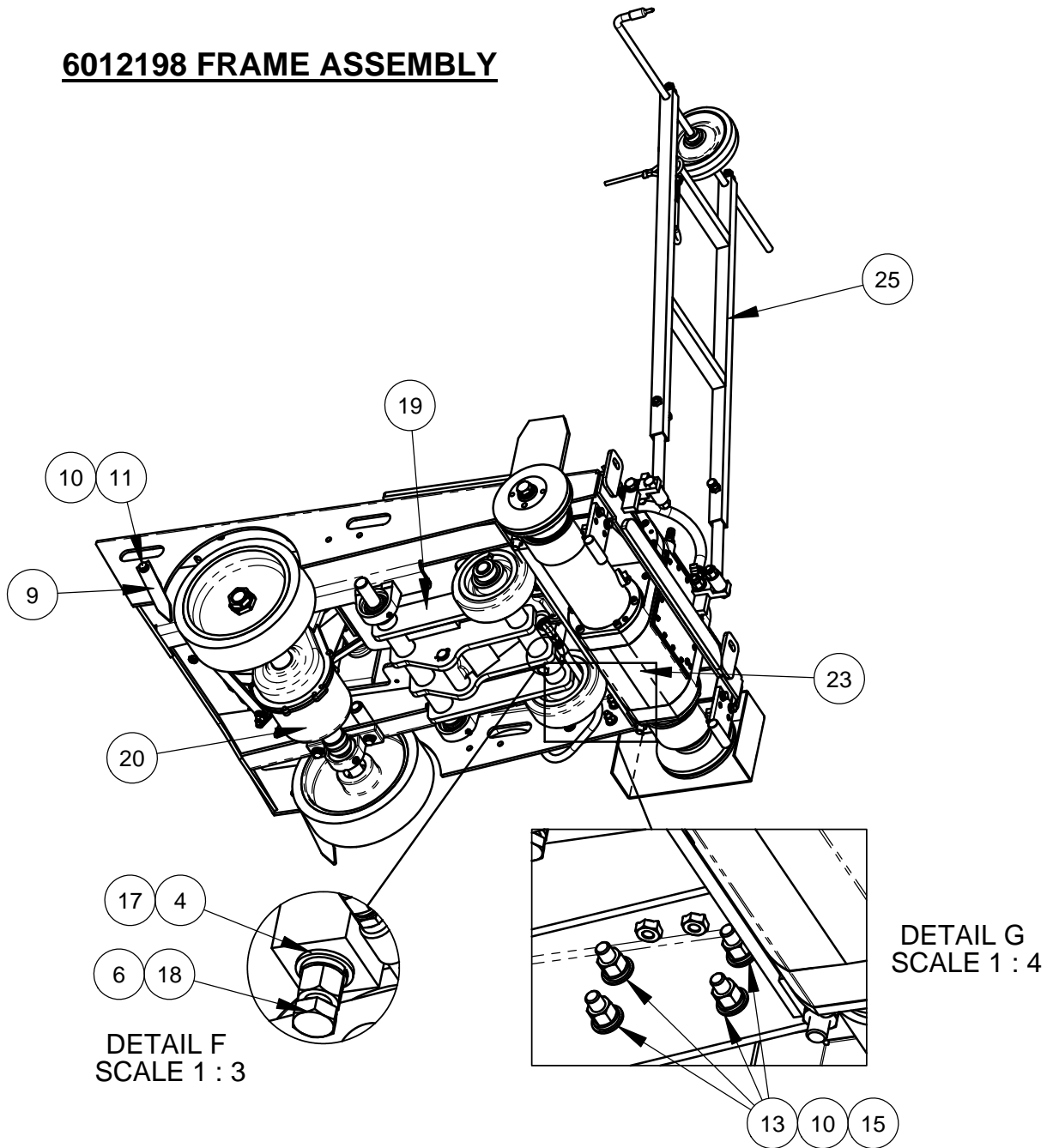


# 6012198 FRAME ASSEMBLY





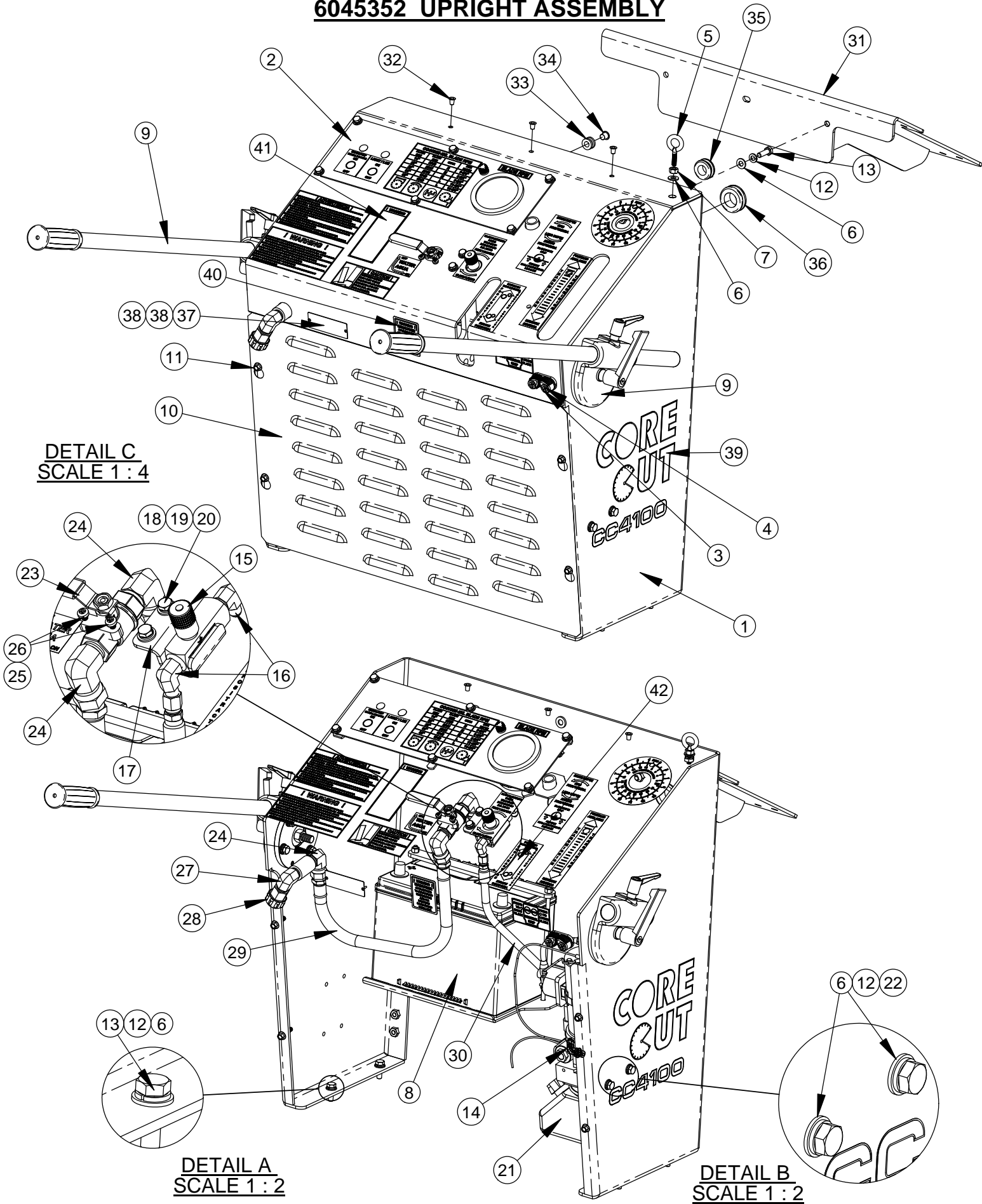
# 6012198 FRAME ASSEMBLY



ITEM	PART NO.	QTY.	DESCRIPTION
1	6045417	1	Frame Base Weldment
2	6045204	1	Pointer Extension With Stop
3	6047976	1	Pointer Extension
4	2900058	9	Flat Washer, 1/2" SAE
5	2900106	2	Cap Screw, Hex Hd., 1/2-13 x 2"
6	2900026	3	Lock Nut, 1/2-13 Nylon
7	6045435	1	Shaft Guard Assembly
8	2900500	1	Thumb Screw, 3/8-16 x 1"
9	6045221	2	Rear Pointer Weldment
10	2900006	6	Lock Washer, 3/8" Split
11	2900028	2	Cap Screw, Hex Hd., 3/8-16 x 2-3/4"
12	2900428	4	Cap Screw, Flat Hd., 3/8-16 x 1-1/2"
13	2900014	4	Flat Washer, 3/8" SAE

ITEM	PART NO.	QTY.	DESCRIPTION
14	6043524	1	Blade Guard Mount
15	2900018	4	Lock Nut, 3/8-16 Nylon
16	2900235	2	Cap Screw, Flat Hd., 3/8-16 x 1"
17	2900084	5	Lock Washer, 1/2" Split
18	2900139	1	Cap Screw, Hex Hd., 1/2-13 x 1-3/4"
19	6045029	1	Front Axle Assembly
20	6045027	1	Differential Assembly
21	6045347	1	Electric Motor Mount
22	2900499	4	Cap Screw, Hex Hd., 1/2-13 x 1-1/2"
23	6045489	1	3-Speed Assembly
24	6011489	1	Differential Jackshaft Assembly
25	6045212	1	Front Pointer Assembly

# 6045352 UPRIGHT ASSEMBLY

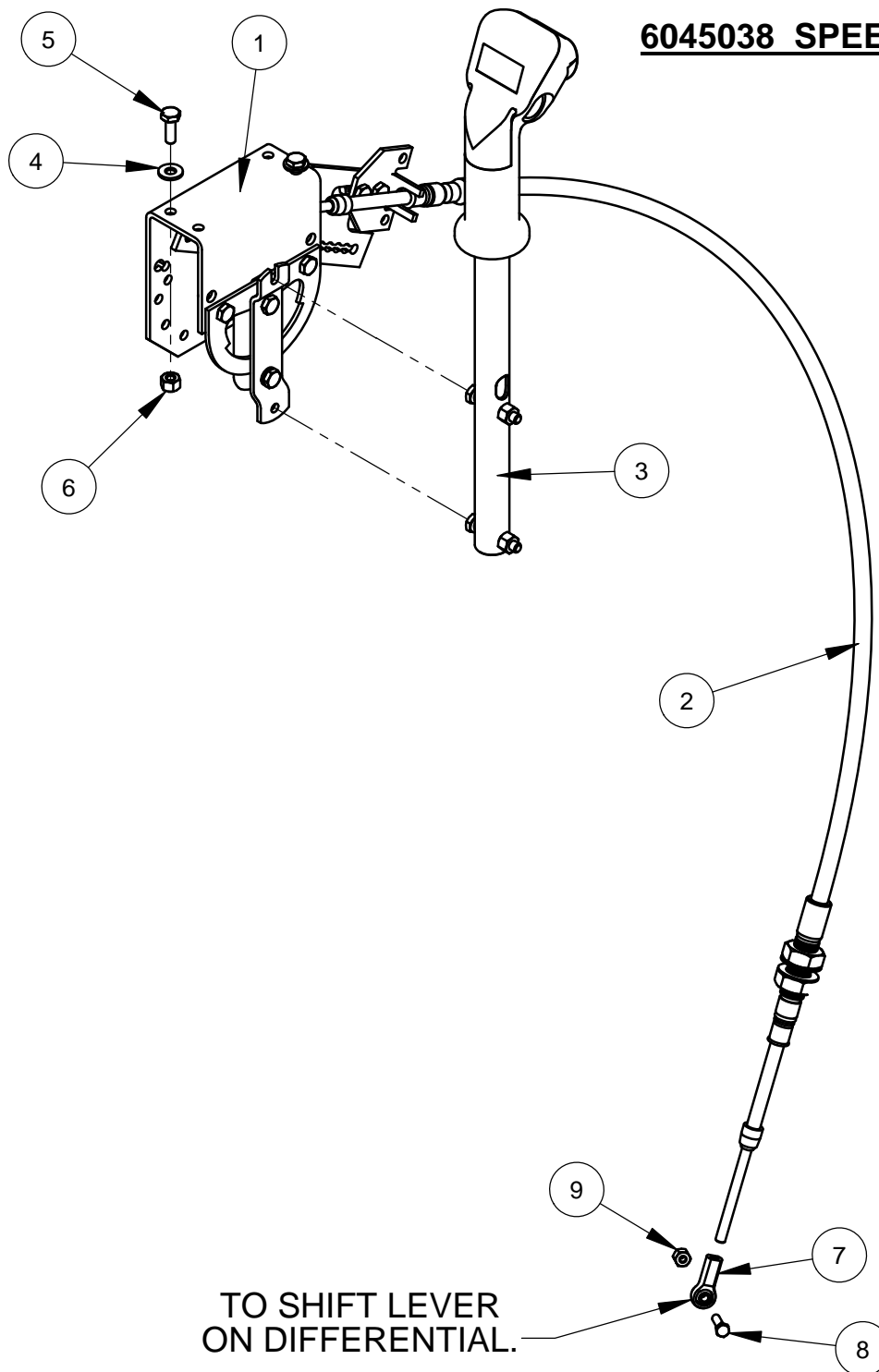


## 6045352 UPRIGHT ASSEMBLY

ITEM	PART NO.	QTY.	DESCRIPTION
1	6045344	1	Frame Upright Weldment
2	6045491	1	Instrument Panel
3	2501427	1	Rope Cleat
4	2900483	2	Tap Screw, Flat Hd., #10-24 x 1"
5	2900720	1	Eyebolt, 5/16-18 x 1"
6	2900022	10	Flat Washer, 5/16" SAE
7	2900141	1	Hex Nut, 5/16-18
8	6045350	1	Battery Assembly
9	6011333	2	Handle Assembly
10	6045094	1	Rear Cover Screen
11	2900820	4	Cap Screw, Flange Hd., 1/4"-20 x 1"
12	2900031	9	Lock Washer, 5/16" Split
13	2900138	7	Cap Screw, Hex Hd., 5/16-18 x 1"
14	3200214	1	Elbow, 1/4" M. O-Ring to 1/4" M. JIC
15	3200056	1	Flow Control Valve, 1/4" NPT
16	3200057	2	Elbow, 1/4" M. Pipe to 1/4" M. JIC
17	6045062	1	Flow Control Mount
18	2900009	2	Flat Washer, 1/4" SAE
19	2900024	2	Lock Washer, 1/4" Split
20	2900023	2	Cap Screw, Hex Hd., 1/4-20 x 5/8"
21	2600540	1	Electro/Hydraulic Pump Unit
22	2900019	2	Cap Screw, Hex Hd., 5/16-18 x 3/4"
23	3200026	1	Water Valve, 1/2" FPT
24	3200399	3	Elbow, 1/2" M. Pipe x 1/2" F. Pipe Swivel
25	2900038	2	Lock Washer, #10 Split
26	2900021	2	Tap Screw, Pan Hd., #10-24 x 3/8"
27	3200166	1	Elbow, 1/2" Male Pipe
28	3200022	1	Fitting, 1/2" F. Pipe to 3/4" F. Garden
29	6012199	1	Hose Assy., 1/2 x 21", MPT -MPT
30	6012197	1	Hose Assy., 1/4 x 17"
31	6011390	1	Bracket, Starter Box
32	2503744	3	Plug, 1/4" Hole (Tapered)
33	2503711	1	Grommet, 3/8" I.D.
34	2503889	1	Plug, 3/8" Hole (Tapered)
35	2503742	1	Grommet, 11/16" I.D.
36	2503743	1	Grommet, 1" I.D.
37	1800169	1	Serial Number Plate, US
38	2900053	2	Rivet, 3/32" Dia.
39	1801786	2	Core Cut Decal, CC 4100
40	1801075	1	Label, Unplug Power
41	1800001	1	Warning Label
42	1801932A	1	CC4130E Label, Positraction

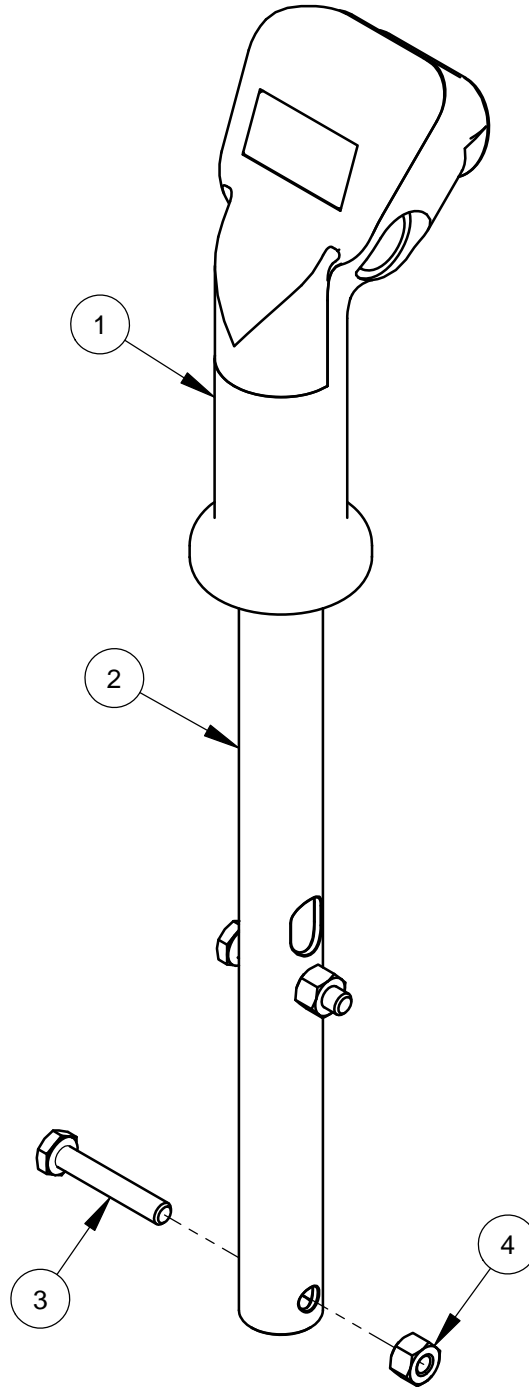
1801932 INCLUDES MULTIPLE LABELS.

## 6045038 SPEED CONTROL ASSEMBLY



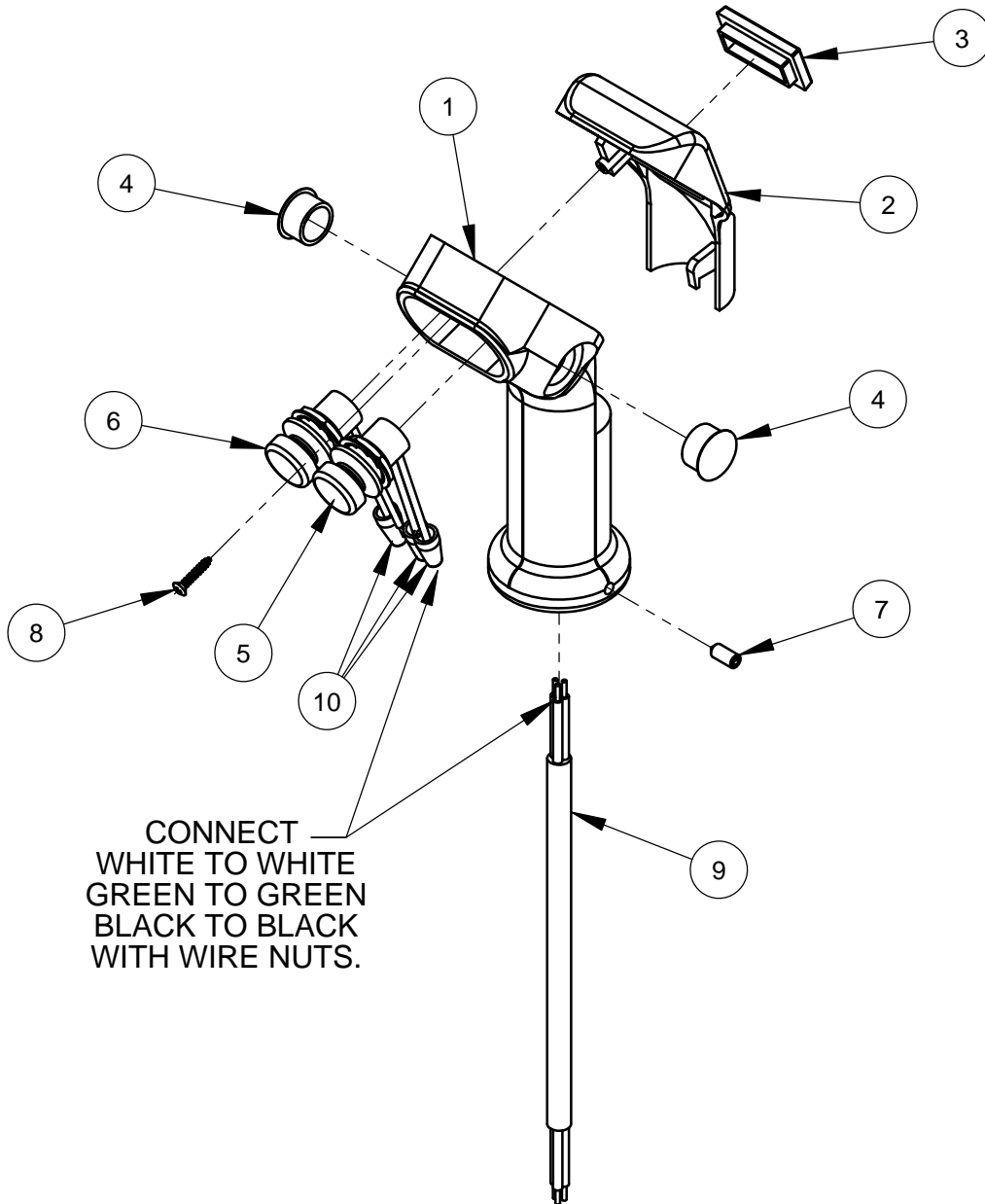
ITEM	PART NO.	Default t/QTY.	DESCRIPTION
1	2501139	1	Speed Control Mount
2	2503904	1	Control Cable, 50"
3	6045086	1	Speed Control Lever Assembly
4	2900009	2	Flat Washer, 1/4" SAE
5	2900144	2	Cap Screw, Hex Hd., 1/4-20 x 3/4"
6	2900010	2	Lock Nut, 1/4-20 Nylon
7	2500791	1	Rod End, #10-32 Female
8	2900015	1	Machine Screw, Hex Hd., #10-24 x 3/4"
9	2900017	1	Lock Nut, #10-24 Nylon

## 6045086 CONTROL LEVER ASSEMBLY



ITEM	PART NO.	QTY.	DESCRIPTION
1	6010319	1	Control Grip Assembly
2	6045085	1	Straight Speed Control Lever
3	2900048	2	Cap Screw, Hex Hd., 1/4-20 x 1-1/2"
4	2900010	2	Lock Nut, 1/4-20 Nylon

## 6010319 CONTROL GRIP ASSEMBLY

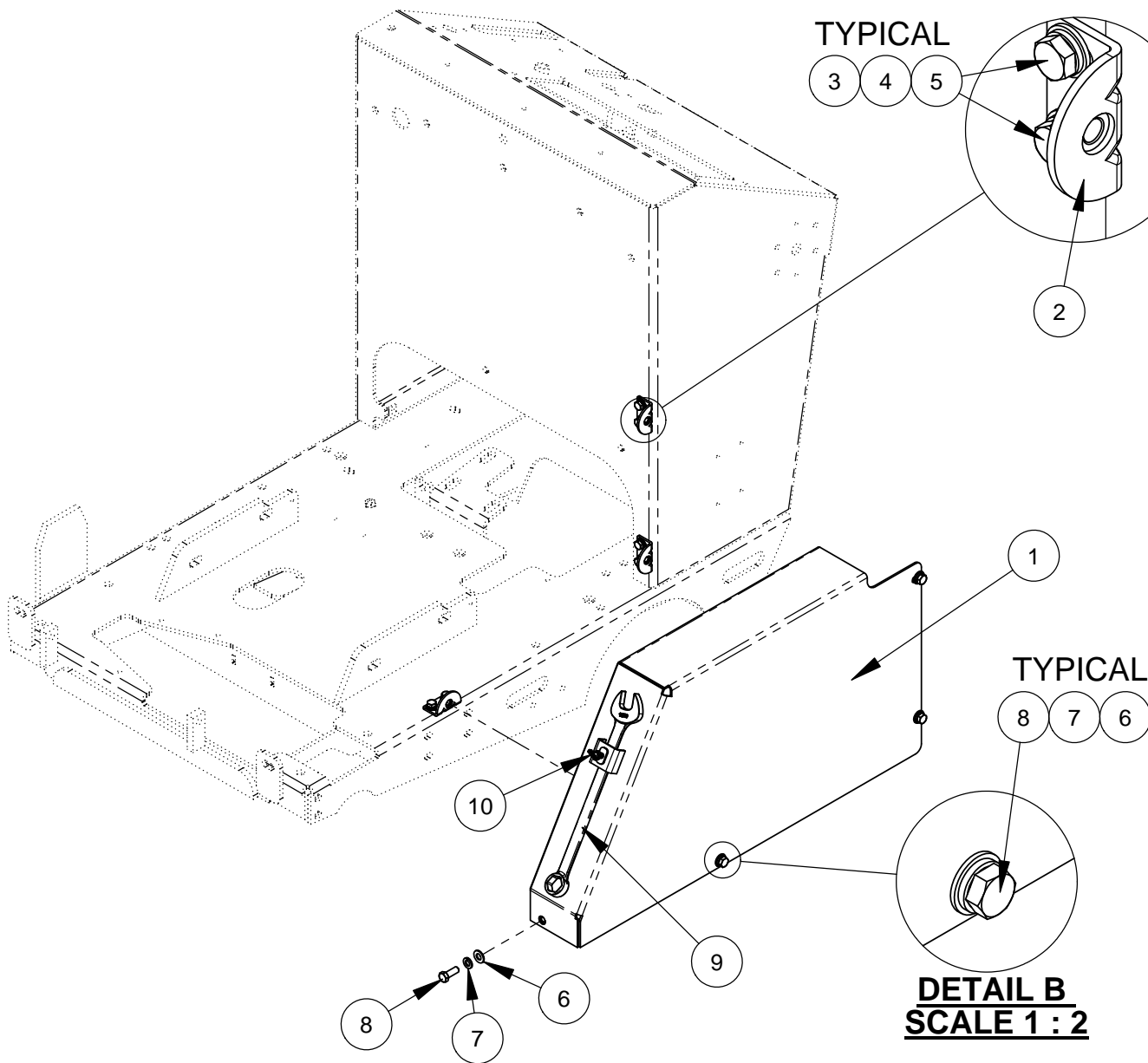
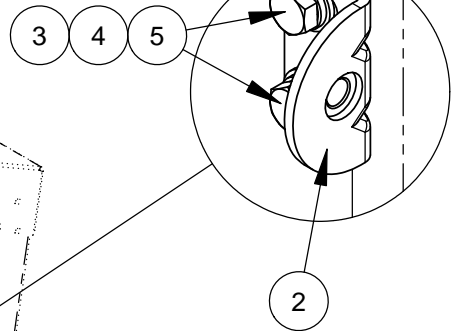


ITEM	PART NO.	QTY.	DESCRIPTION
1	2501280	1	Control Grip Body
2	2501281	1	Control Grip Cover
3	2500644	1	Plug, Rectangular
4	2500694	2	Plug, 5/8" Hole
5	2800372	1	Pushbutton Switch (B&G)
6	2800373	1	Pushbutton Switch (B&W)
7	2900453	1	Set Screw, Soc. Hd., M5-0.8 x 12mm
8	2900452	1	Machine Screw, Oval Hd., #4 x 5/8"
9	2800393	1	Harness, Hydraulic Pump
10	2800002	3	Wire Nut, 22-16 Gage

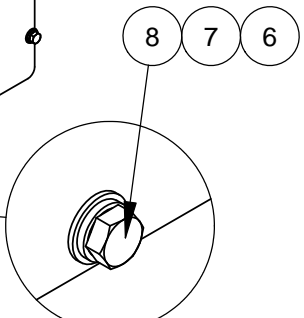
# 6045497 BELT GUARD ASSEMBLY

**DETAIL C**  
**SCALE 1:2**

TYPICAL



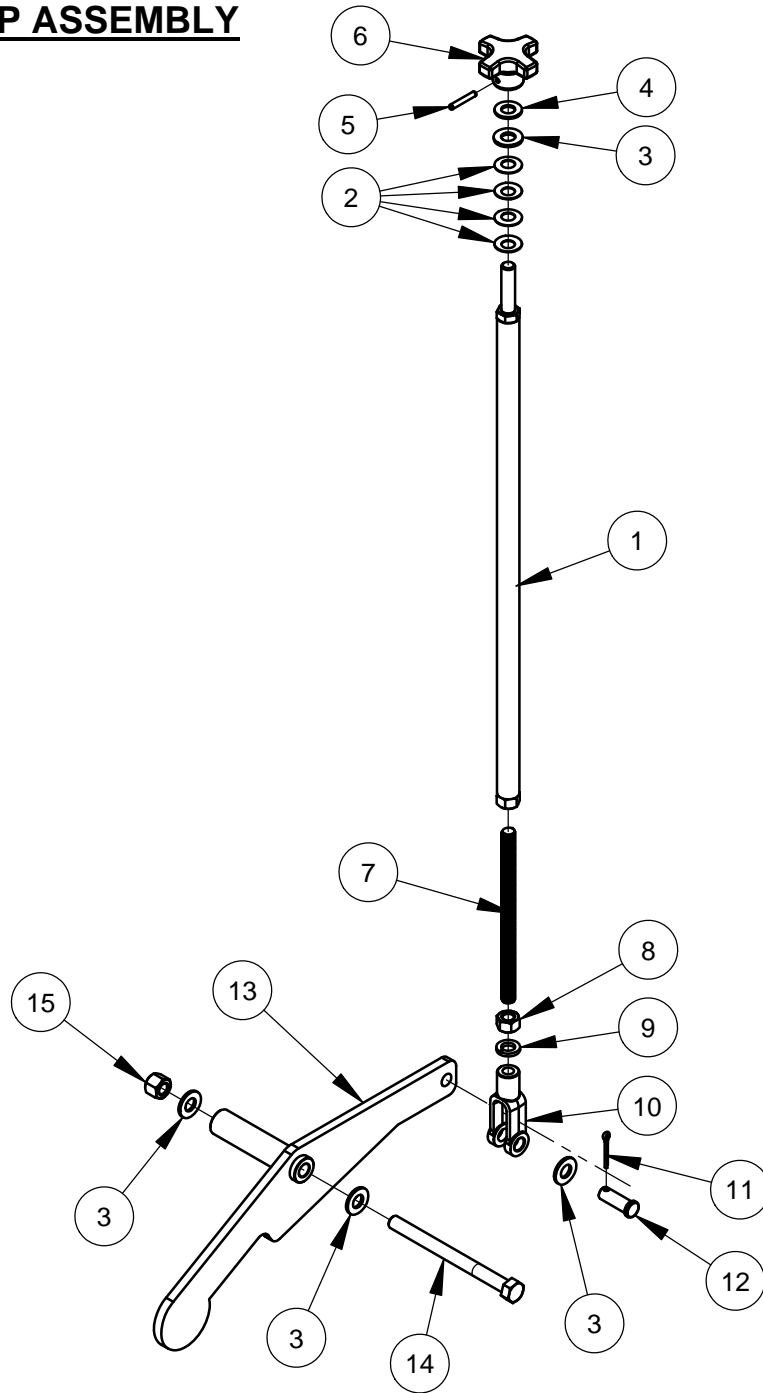
TYPICAL



**DETAIL B**  
**SCALE 1:2**

ITEM	PART NO.	QTY.	DESCRIPTION
1	6045346	1	Belt Guard
2	6010558	3	Guard Mounting Tab, 3/8-16
3	2900022	6	Flat Washer, 5/16" SAE
4	2900031	6	Lock Washer, 5/16" Split
5	2900668	6	Cap Screw, Hex Hd., 5/16-18 x 7/8"
6	2900014	4	Flat Washer, 3/8" SAE
7	2900006	4	Lock Washer, 3/8" Split
8	2900005	4	Cap Screw, Hex Hd., 3/8-16 x 1"
9	2503704	1	Wrench, 15/16" Combination
10	2900270	1	Thumb Screw, 5/16-18 x 3/4"

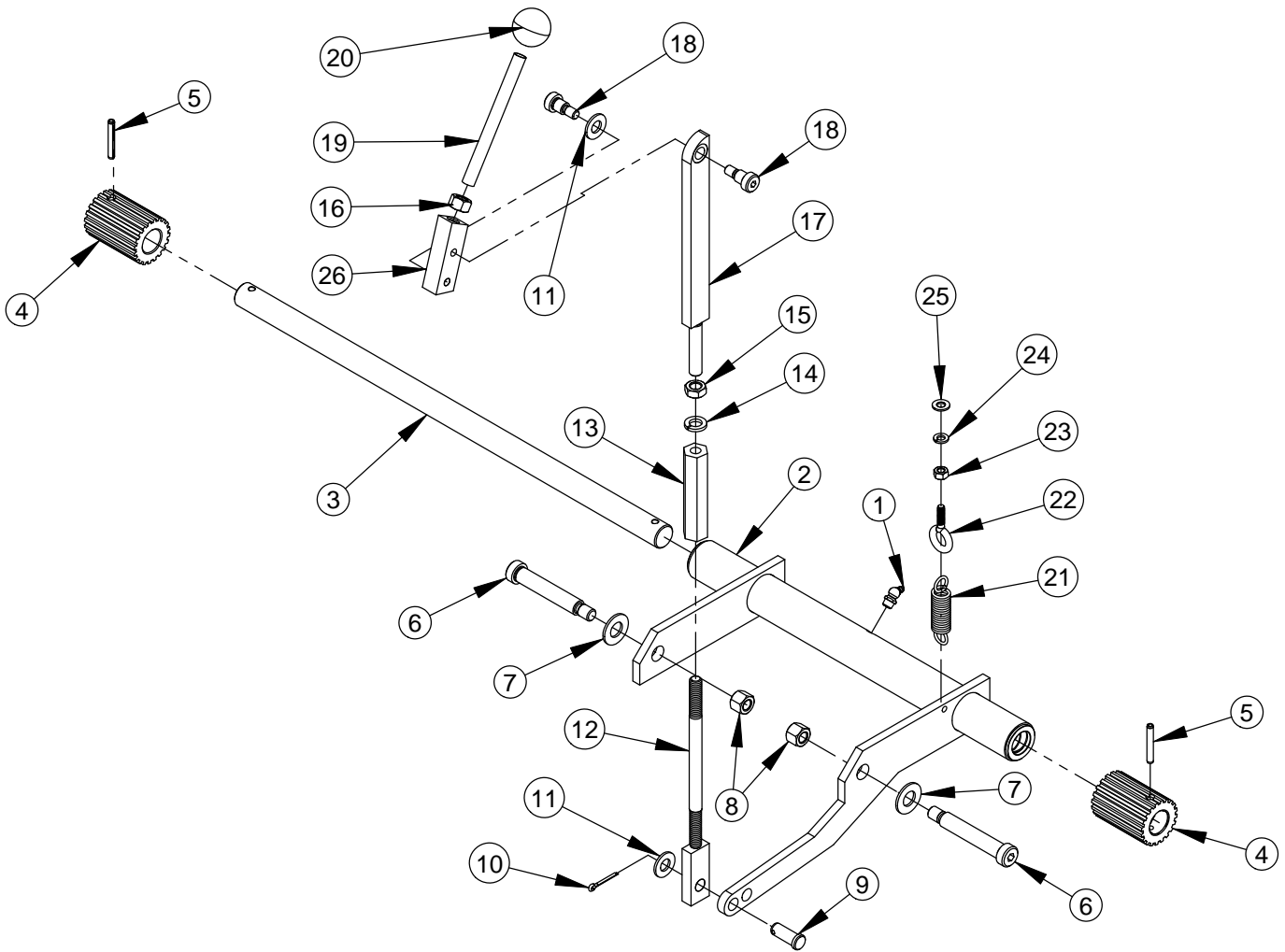
# 6045040 DEPTH STOP ASSEMBLY



ITEM	PART NO.	QTY.	DESCRIPTION
1	6045083	1	Depth Stop Upper Assembly
2	2900665	4	Belleville Washer, 1/2"
3	2900058	4	Flat Washer, 1/2" SAE
4	2900239	1	Friction Washer, 1/2"
5	2900132	1	Roll Pin, 3/16 x 1-1/4"
6	6010095	1	Depth Stop Knob
7	6045084	1	1/2-13 x 7-1/12" Threaded Rod
8	2900037	1	Hex Nut, 1/2-13
9	2900084	1	Lock Washer, 1/2" Split
10	2900158	1	Yoke, 1/2-13
11	2900004	1	Cotter Pin, 1/8" x 1"
12	2900007	1	Clevis Pin, 1/2" Dia. x 1-3/8"
13	6045061	1	Depth Stop Pivot Arm
14	2901024	1	Capscrew, Hex Hd., 1/2-13 x 6"
15	2900026	1	Lock Nut, 1/2-13 Nylon

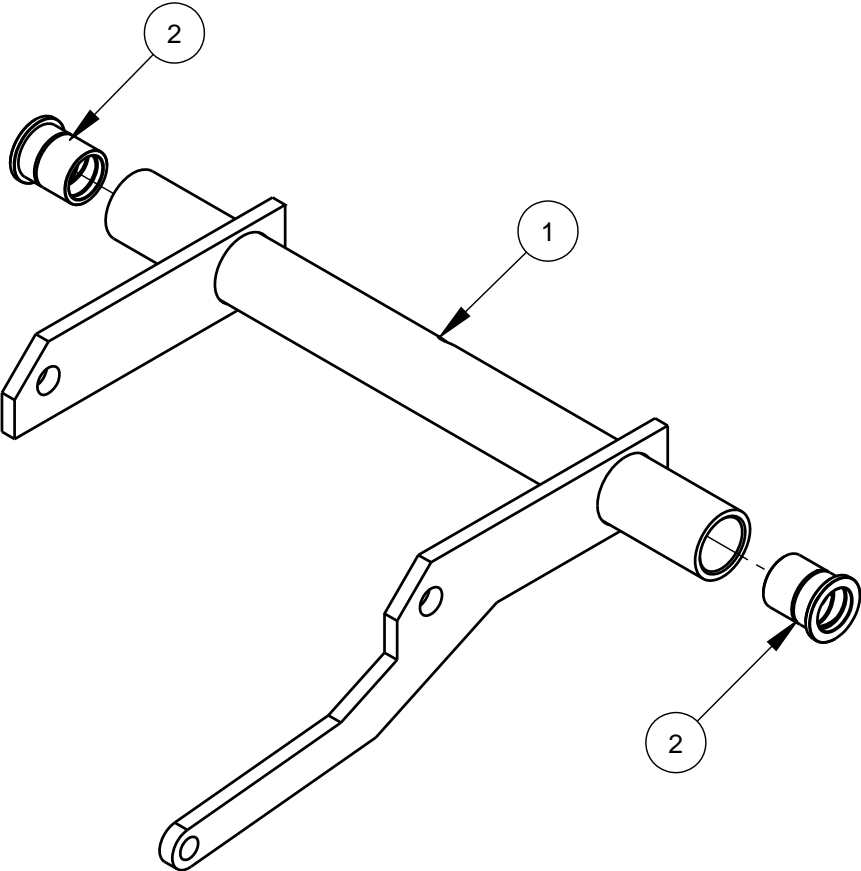


## Positraction Engagement Assembly #6045033



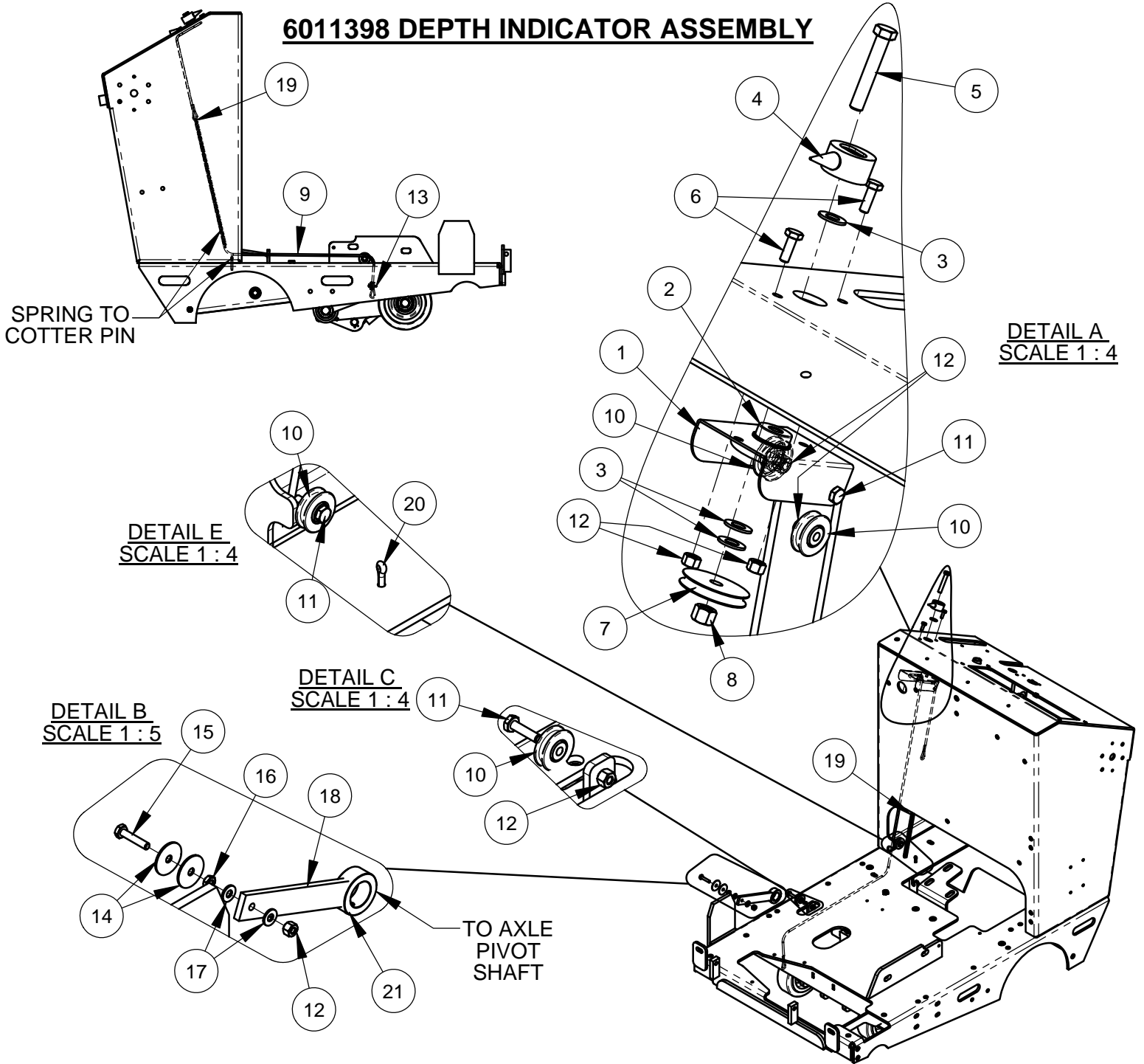
ITEM	PART NO.	QTY.	DESCRIPTION
1	2900193	1	Grease Fitting, 1/8" NPT x 45 degree
2	6045164	1	Traction Bar Assembly
3	6015036	1	Positraction Axle, 1" x 23-1/4"
4	6015035	2	Sprocket, 20T
5	2901015	2	Roll Pin, 1/4" x 1-3/4"
6	2900824	2	Shoulder Screw, 5/8" x 3-1/4" (1/2-13)
7	2900002	2	Flat Washer, 5/8" SAE
8	2900026	2	Lock Nut, 1/2-13 Nylon
9	2900266	1	Clevis Pin, 1/2 x 1-1/4"
10	2900004	1	Cotter Pin, 1/8" x 1"
11	2900058	2	Flat Washer, 1/2" SAE
12	6045014	1	Lower Positraction Arm Weldment
13	2901013	1	Coupling Nut, 1/2-13 x 4 LH/RH
14	2900084	1	Lock Washer, 1/2" Split
15	2900129	1	Hex Nut, Jam, 1/2"-13
16	2900037	1	Hex Nut, 1/2-13
17	6015044	1	Upper Positraction Arm Weldment
18	2900588	2	Shoulder Screw, 1/2" x 1/2" (3/8-16)
19	2503915	1	1/2-20 x 5-1/2" Threaded Stud RH
20	2504032	1	Knob, 1/2-13 x 1-1/2 Dia
21	2503940	1	Extension Spring, 3/4 x .105 x 3.00"
22	2900720	1	Eyebolt, 5/16-18 x 1"
23	2900141	1	Hex Nut, 5/16-18
24	2900031	1	Lock Washer, 5/16" Split
25	2900022	1	Flat Washer, 5/16" SAE
26	6015117	1	Disengage Pivot Bar

**Traction Bar Assembly #6045164**



ITEM	PART NO.	QTY.	DESCRIPTION
1	6045004	1	Traction Bar Weldment
2	2502170	2	Grooved Flange Bearing 1 x 1-1/4 x 1-1/2"

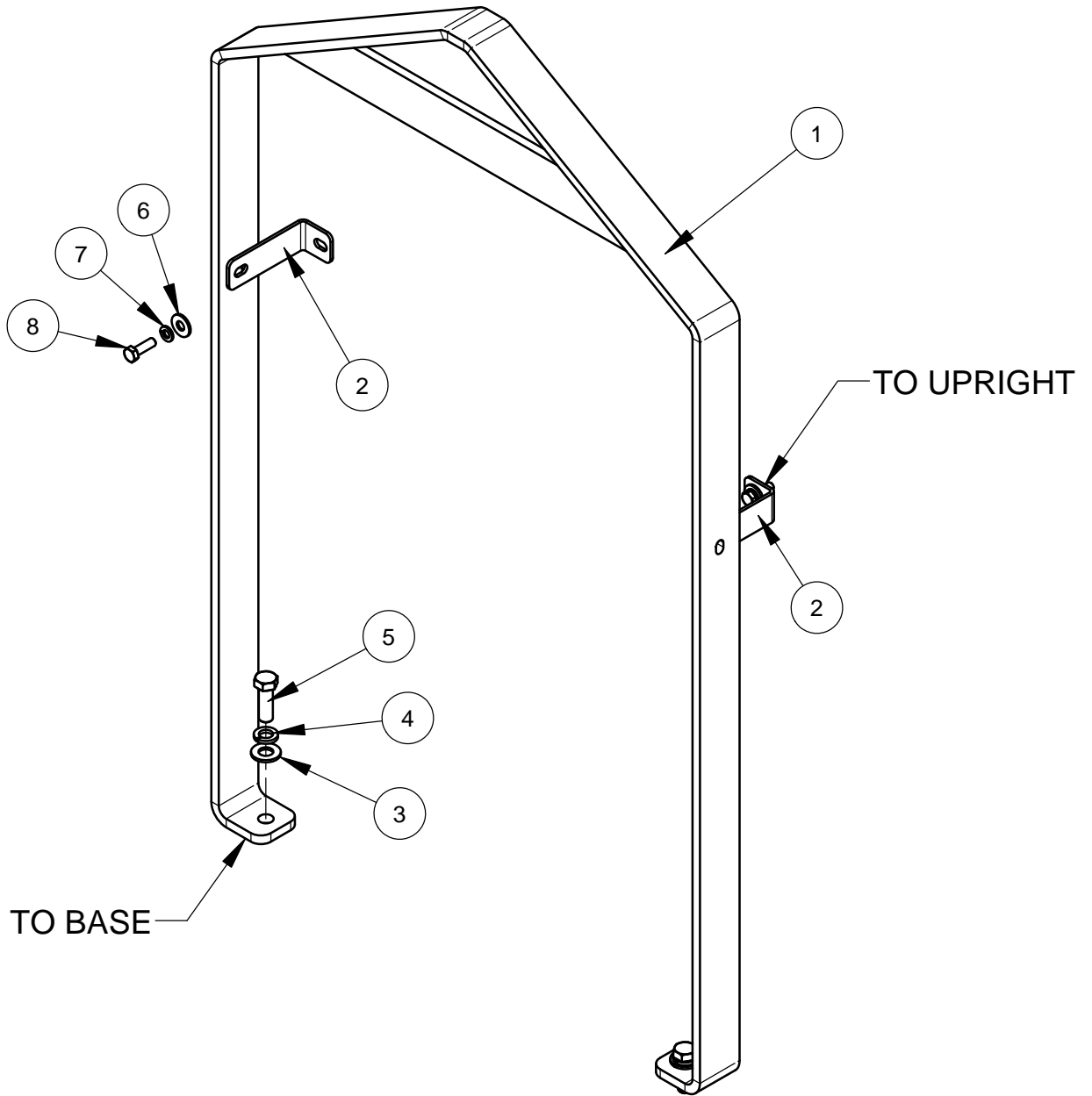
# 6011398 DEPTH INDICATOR ASSEMBLY



ITEM	PART NO.	QTY.	DESCRIPTION
1	6010092	1	Depth Indicator Mount Bracket
2	2500145	1	Flange Bearing, 3/8"
3	2900014	3	Flat Washer, 3/8" SAE
4	6010091	1	Depth Indicator Pointer
5	2900079	1	Cap Screw, Hex Hd., 3/8-16 x 2-1/4"
6	2900144	2	Cap Screw, Hex Hd., 1/4-20 x 3/4"
7	6010093	1	Cable Pulley, 2"
8	2900018	1	Lock Nut, 3/8-16 Nylon
9	6010993	1	Depth Indicator Cable with Crimp, 59"
10	2500155	4	Cable Pulley, 1-1/4"

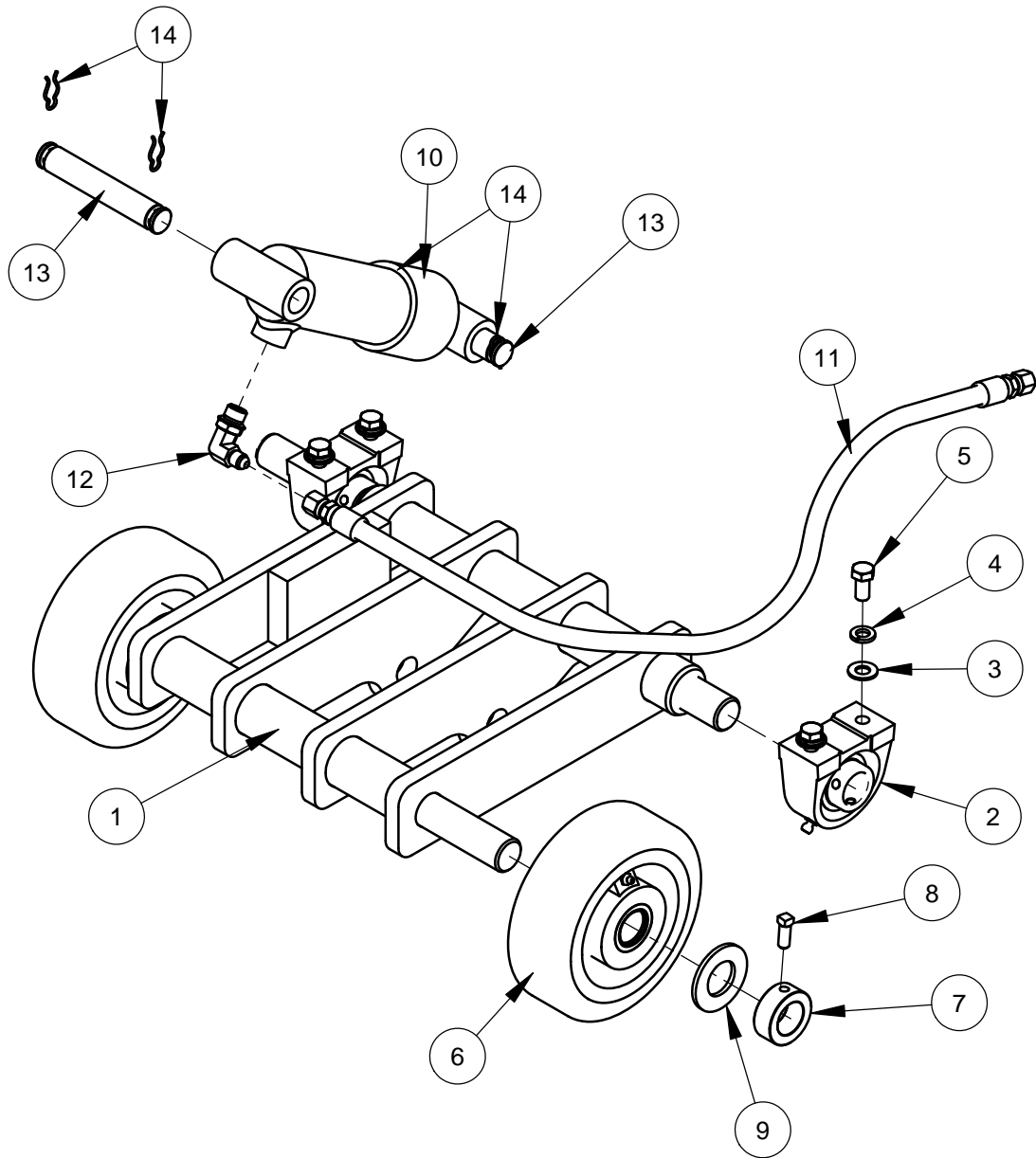
ITEM	PART NO.	QTY.	DESCRIPTION
11	2900008	4	Cap Screw, Hex Hd., 1/4-20 x 1"
12	2900010	6	Lock Nut, 1/4-20 Nylon
13	2500214	1	Cable Clamp
14	2900083	2	Fender Washer, 1/4" x 1-1/4"
15	2900052	1	Cap Screw, Hex Hd., 1/4-20 x 1-1/4"
16	2900358	1	Jam Nut, 1/4-20
17	2900009	2	Flat Washer, 1/4" SAE
18	6045166	1	Depth Indicator Weldment
19	2500196	1	Spring, 3/8" x 15"
20	2900055	1	Cotter Pin, 3/16" x 1"
21	2900036	1	Set Screw, Soc. Hd., 5/16-18 x 1/4"

## 6012206 LIFT BAR ASSEMBLY



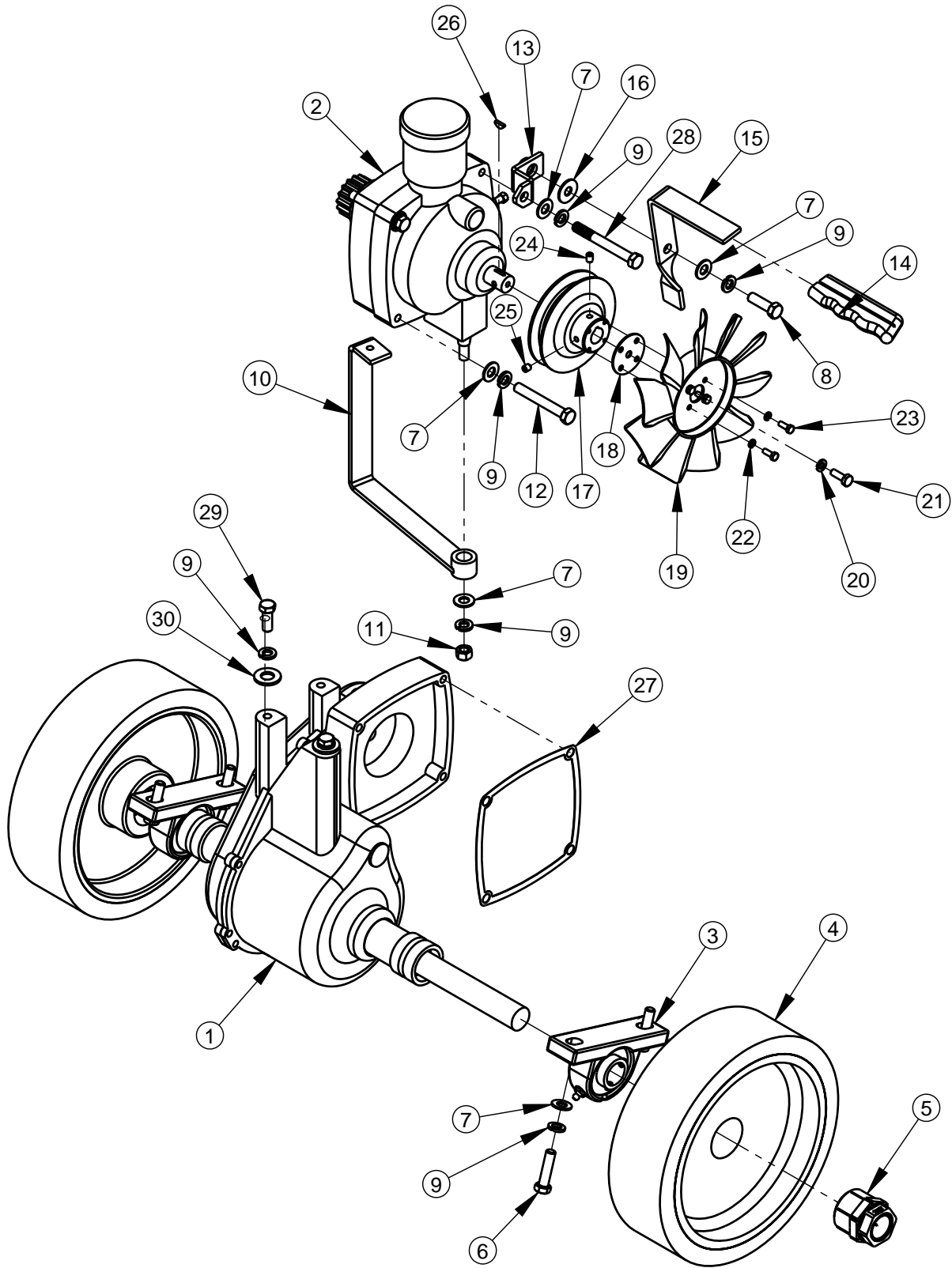
ITEM	PART NO.	QTY.	DESCRIPTION
1	6011488	1	Lift Bracket
2	6012196	2	Bracket, L
3	2900058	2	Flat Washer, 1/2" SAE
4	2900084	2	Lock Washer, 1/2" Split
5	2900499	2	Cap Screw, Hex Hd., 1/2-13 x 1-1/2"
6	2900567	2	Flat Washer, 5/16" USS
7	2900031	2	Lock Washer, 5/16" Split
8	2900138	2	Cap Screw, Hex Hd., 5/16-18 x 1"

## 6045029 FRONT AXLE ASSEMBLY



ITEM	PART NO.	QTY.	DESCRIPTION
1	6045165	1	Front Axle Weldment
2	2500732	2	Pillow Block Bearing 1"
3	2900014	4	Flat Washer, 3/8" SAE
4	2900006	4	Lock Washer, 3/8" Split
5	2900196	4	Cap Screw, Hex Hd., 3/8-16 x 3/4"
6	2500299	2	Wheel, 6" Front
7	2500009	2	Set Collar, 1" ID
8	2900783	2	Set Screw, Sq. Hd., 5/16-18 x 3/4"
9	2900295	2	Flat Washer, 1" SAE
10	2501541	1	Hydraulic Cylinder, 1-3/4" x 5"
11	3201684	1	Hydraulic Hose Assembly, 52-1/2" Long
12	3200551	1	Elbow, 3/8" O-Ring to 1/4" M. JIC
13	6045056	2	Cylinder Pin, 3/4" x 4-1/2"
14	2900784	4	Hair Pin Clip, 1/2"

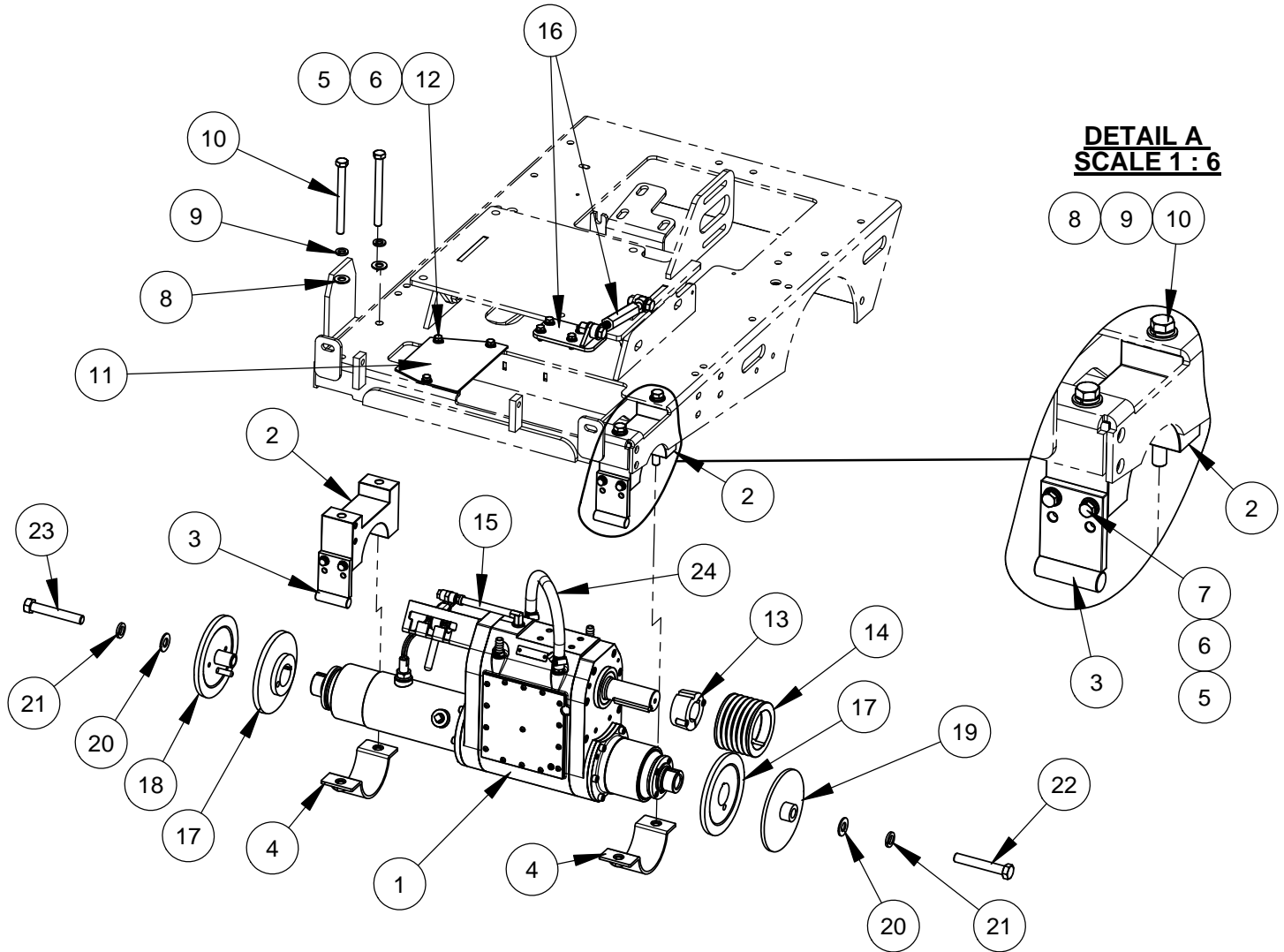
# Differential Assembly #6045027



## Differential Assembly #6045027

ITEM	PART NO.	QTY.	DESCRIPTION
1	2600206	1	Peerless Transaxle 1325-A
2	6045208	1	Eaton 7 Dimpled Shaft Trans with Gear
3	2500013	2	Bearing, 1" Pillowblock
4	2500996	2	Wheel 10 x 3 1.75 Bore
5	2500867	2	Trantorque Bushing, 1"
6	2900029	4	Cap Screw, Hex Hd., 3/8-16 x 1-1/2"
7	2900014	10	Flat Washer, 3/8" SAE
8	2900013	1	Cap Screw, Hex Hd., 3/8-16 x 1-1/4"
9	2900006	12	Lock Washer, 3/8" Split
10	6045059	1	Shift Lever Weldment
11	2900033	1	Hex Nut, 3/8-16
12	2900028	3	Cap Screw, Hex Hd., 3/8-16 x 2-3/4"
13	6015048	1	Free Wheel Mount Bracket
14	2500002	1	Lever Grip
15	6045058	1	Free Wheeling Lever
16	2900153	1	Friction Washer, 3/8"
17	6011149	1	Cup Pulley 4 "- A Groove
18	6045130	1	Fan Pulley Spacer
19	2500519	1	Cooling Fan, 7"
20	2900024	1	Lock Washer, 1/4" Split
21	2900144	1	Cap Screw, Hex Hd., 1/4-20 x 3/4"
22	2900038	4	Lock Washer, #10 Split
23	2900448	4	Machine Screw, Hex Hd., #10-32 x 1/2"
24	2900101	1	Set Screw, Soc. Hd., 1/4-20 x 3/8"
25	2901133	1	Set Screw, Soc. Cone Point, 1/4-20 x 3/8"
26	2900068	1	Woodruff Key #404, 1/8" W x 1/2" Dia.
27	2501133	1	Gasket
28	2903030	1	Cap Screw, Hex Hd., 3/8-16 x 3-1/4"
29	2900005	2	Cap Screw, Hex Hd., 3/8-16 x 1"
30	2900058	2	Flat Washer, 1/2" SAE

## 6045489 3 SPEED ASSEMBLY



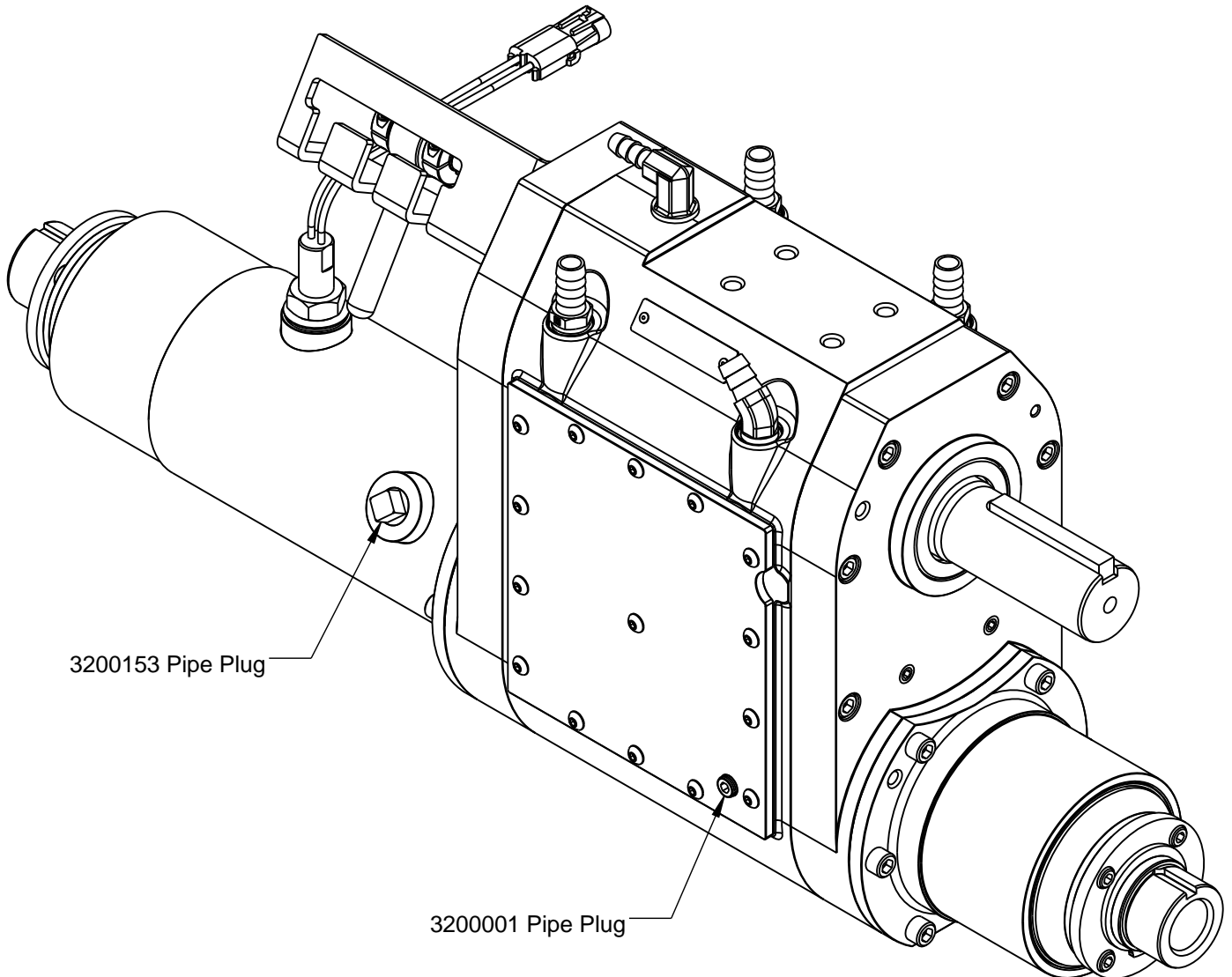
ITEM	PART NO.	QTY.	DESCRIPTION
1	6018074	1	DP-3 3 Speed Transmission
2	6045363	2	Clamp Block
3	6045368	2	Skid Plate
4	6045364	2	Clamp Mounting
5	2900022	7	Flat Washer, 5/16" SAE
6	2900031	7	Lock Washer, 5/16" Split
7	2900217	4	Cap Screw, Hex Hd., 5/16-18 x 1-1/4"
8	2900058	4	Flat Washer, 1/2" SAE
9	2900084	4	Lock Washer, 1/2" Split
10	2900466	4	Cap Screw, Hex Hd., 1/2-13 x 5-1/2"
11	6045369	1	Frame Cover
12	2900019	3	Cap Screw, Hex Hd., 5/16-18 x 3/4"

ITEM	PART NO.	QTY.	DESCRIPTION
13	2503811	1	Taper Bushing, 1-1/2" w/Setscrews
14	6045158	1	Sheave, 4.00-3V-6 Groove, 2012
15	6018217	1	Vent Tube Assembly
16	6045490	1	Tension Assembly
17	6010038	2	Inner Flange 6"
18	6010039	1	Outer Flange 6" with Pin
19	6045214	1	Flange Cover Weldment, 6"
20	2900002	2	Flat Washer, 5/8" SAE
21	2900113	2	Lock Washer, 5/8" Split
22	2900146	1	Cap Screw, Hex Hd., 5/8-11 x 4"
23	2900130	1	Cap Screw, Hex Hd., 5/8-11 x 4" LH
24	6010898	1	Water Hose, 1/2 x 14", W/ Clamps





## 3-Speed Transmission #6018074

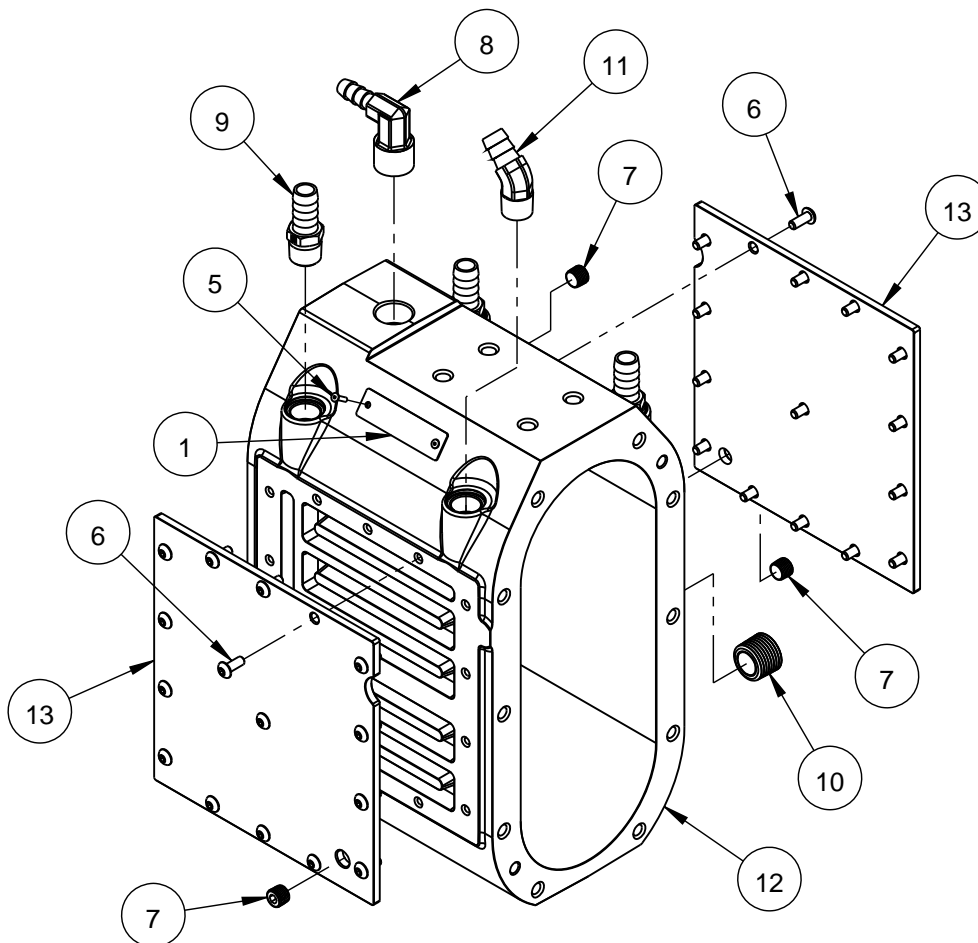


### Service Notes:

1. Change lubricating oil & clean breather vent every 100 hours
2. Refill with 2503930 75W90 gear oil to level of 3200153 overflow plug
3. Drain water jackets after each use when temperatures may drop below freezing by removing 3200001 pipe plugs and placing saw in lowest cutting position
4. Replace plugs before next use

## 3-Speed Transmission #6018074

### Main Housing



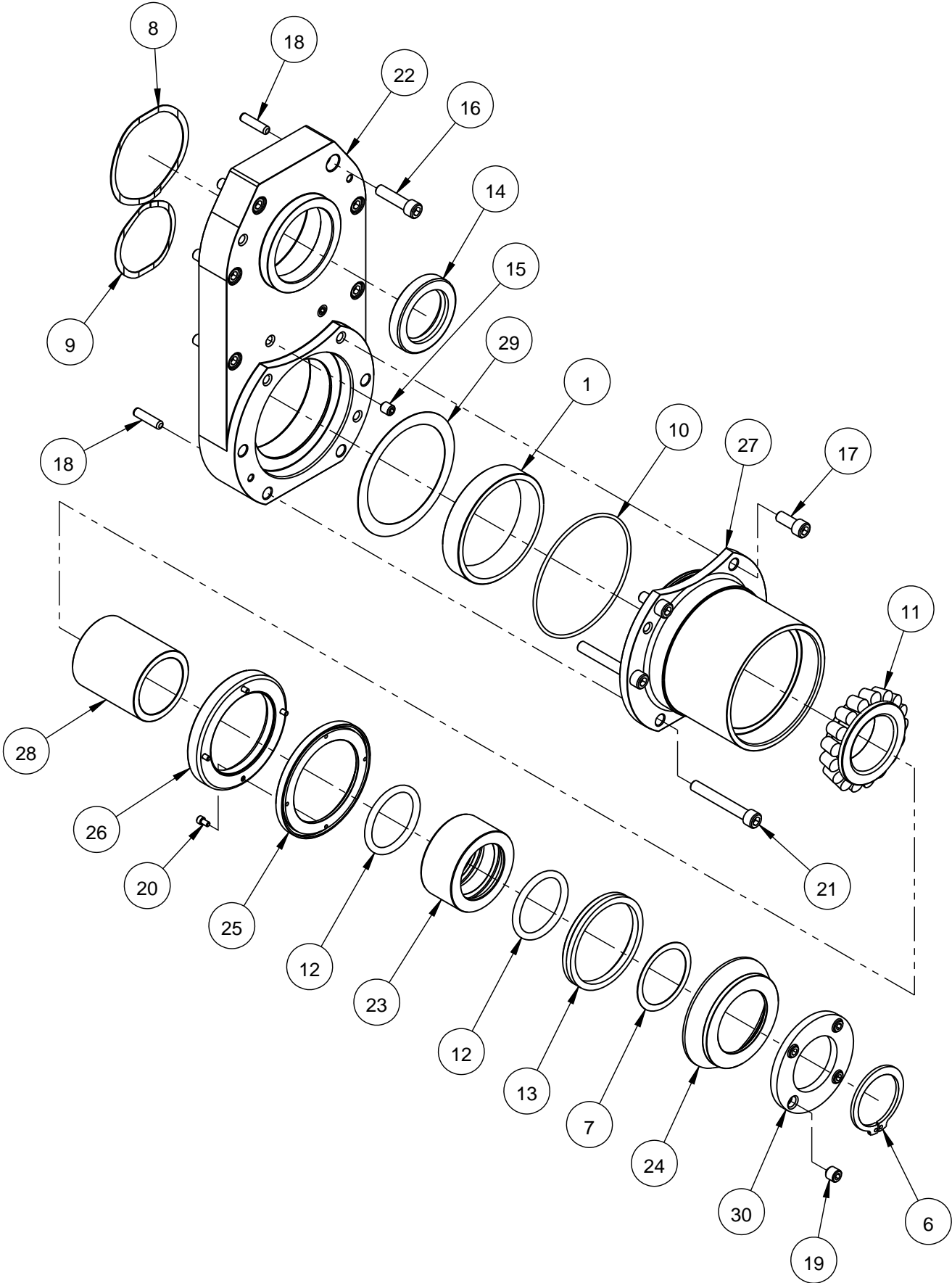
ITEM	PART NO.	QTY	DESCRIPTION
1	1801910	1	Serial Tag, DP 3-Speed
2	2401311	AR	Loctite #567 Thread Sealant
3	2401316	AR	Loctite #262 Red
4	2503802	AR	Permatex Ultra Black
5	2900053	2	Rivet, 3/32" Dia.
6	2901312	30	Cap Screw, Button Hd., #10-24 x 1/2"
7	3200001	3	Plug, 1/8" NPT
8	3200516	1	1/2" X 3/8" Hose Barb
9	3200935	3	Fitting, 3/8" M. Pipe to 1/2" Hose Barb
10	3202334	1	1/2" NPTF Magnetic Pipe Plug
11	3202421	1	45deg Elbow; 3/8 MNPT x 1/2 Hose
12	6018055	1	Transmission Center Case
13	6018056	2	Heat Exchanger Cover Plate

#### Assembly Notes:

1. Apply 2401311 thread sealant to all male pipe threads, orient fittings as shown
2. Apply 2401316 Loctite #262 to all cap screw threads
3. Seal all gasket surfaces with 2503802 Permatex Ultra Black

# 3-Speed Transmission #6018074

## Left Hand Side Cover



## **3-Speed Transmission #6018074**

### Left Hand Side Cover

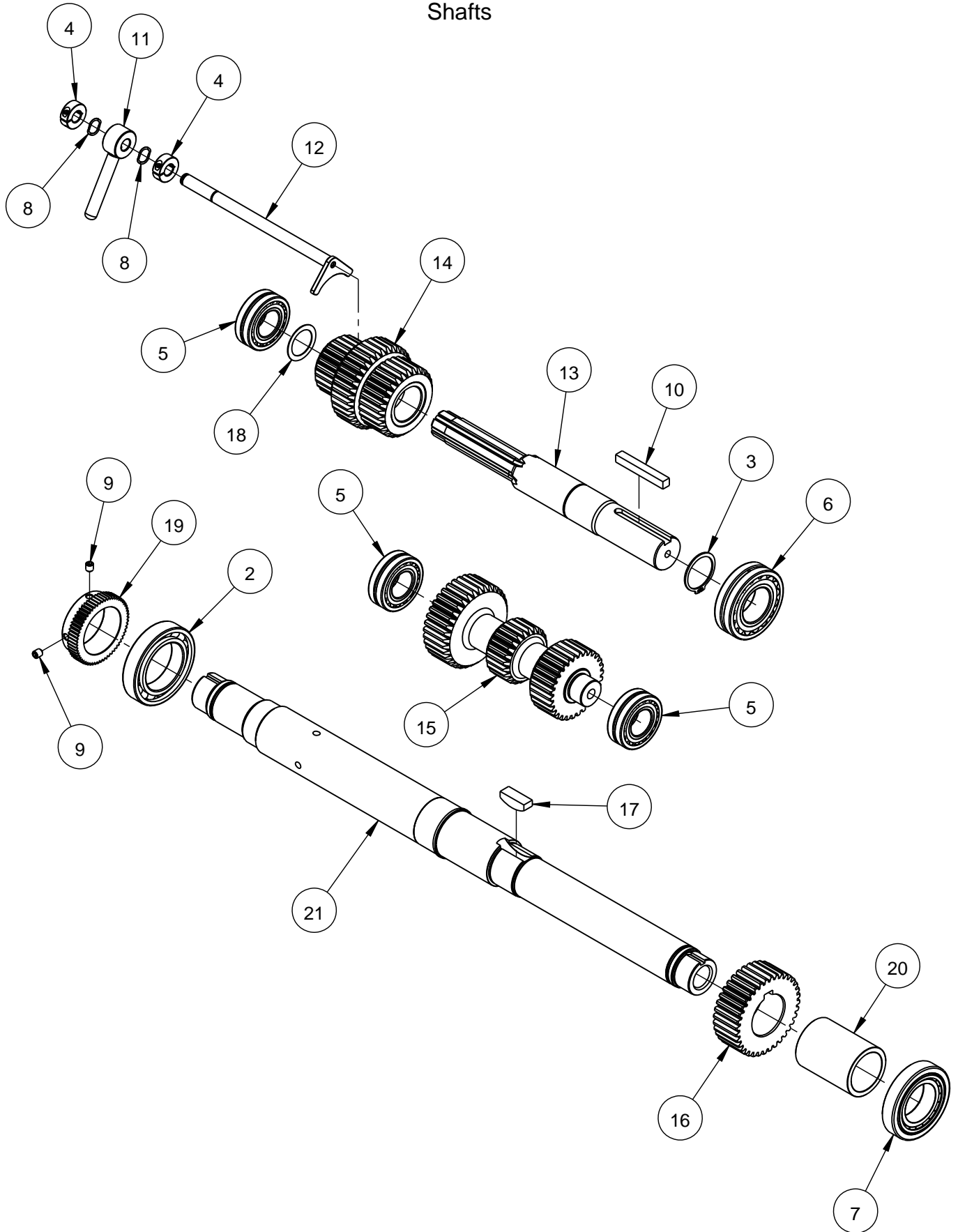
ITEM	PART NO.	QTY	DESCRIPTION
1	2400014	1	Bearing Race
2	2401315	AR	Loctite #242 Blue
3	2401316	AR	Loctite #262 Red
4	2501637	AR	Grease, Black Lithium
5	2503802	AR	Permatex Ultra Black
6	2503837	1	Retaining Ring, Ext 1.750 HD
7	2503858	1	Shim, 45 x 55 x .5mm
8	2503965	1	Wave Washer, 80mm OD
9	2503966	1	Wave Washer, 62mm OD
10	2506433	1	O-Ring, AS568A-154 Viton
11	2506434	1	Tapered Roller Bearing Cone 367
12	2506438	2	O-Ring, AS568A -327
13	2506442	1	Seal, 2-1/2" V-Ring
14	2506443	1	Oil Seal, 40 x 60 x 10mm
15	2900142	2	Set Screw, Soc. Hd., 5/16-18 x 3/8"
16	2900176	6	Cap Screw, Soc. Hd., 5/16-18 x 1-1/4"
17	2900912	2	Cap Screw, Soc. Hd., 5/16-18 x 3/4"
18	2900982	2	Dowel Pin, 1/4" Dia. x 1"
19	2901639	4	Set Screw, Soc. Hd., 3/8-24 x 3/8
20	2903241	4	Cap Screw, Soc. Hd., #6-32 x 1/4"
21	2903243	4	Cap Screw, Soc. Hd., 5/16-18 x 2-1/4"
22	6018057	1	Left Side Transmission Cover
23	6018086	1	Seal Sleeve
24	6018087	1	V-Ring Cover
25	6018088	1	Grooved Seal Plate
26	6018089	1	Oil Seal, 2-9/16 x 3-5/8 x 15/32"
27	6018109	1	LH Bladeshaft Housing
28	6018110	1	Output Shaft Spacer
29	6018140	1	3.160 x 3.925 x .020" Shim
30	6018227	1	Retaining Plate

#### Assembly Notes:

1. Apply 2401315 Loctite #242 to all set screw threads & 2401316 Loctite #262 to all cap screw threads
2. Lubricate all O-Rings, seal lips and shaft journals with 2501637 lithium grease
3. Seal all gasket surfaces with 2503802 Permatex Ultra Black

# 3-Speed Transmission #6018074

## Shafts



### **3-Speed Transmission #6018074**

#### Shafts

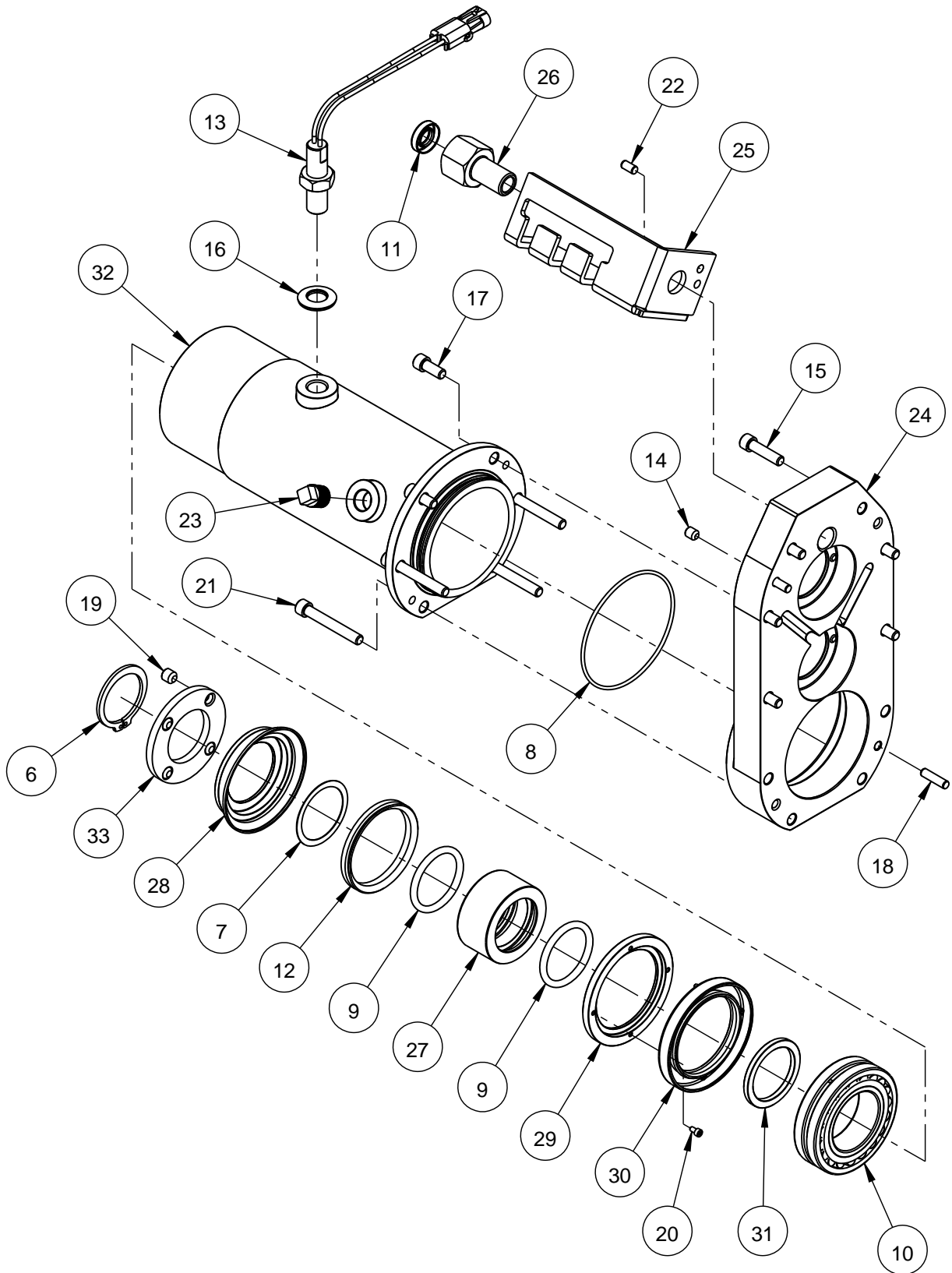
ITEM	PART NO.	QTY	DESCRIPTION
1	2401315	AR	Loctite #242 Blue
2	2503835	1	Ball Brg, 55 x 90 x 18mm /wout seals
3	2503901	1	Retaining Ring, 1-9/16" External
4	2504769	2	1/2" Split Shaft Collar
5	2506436	3	Spherical Roller Brg, 30 x 62 x 20mm
6	2506437	1	Spherical Roller Brg, 40 x 80 x 23mm
7	2506439	1	Brg, Taper Roller, 45 x 85 x 20.75mm
8	2506445	2	1/2" Wave Washer
9	2900142	2	Set Screw, Soc. Hd., 5/16-18 x 3/8"
10	6011058	1	Key, 3/8" Sq. x 2-3/4"
11	6018063	1	Shift Lever Assembly
12	6018066	1	Shift Fork Assembly
13	6018067	1	Input Shaft
14	6018068	1	Cluster Gear
15	6018069	1	Intermediate Shaft
16	6018071	1	Output Gear
17	6018073	1	1/2 Key
18	6018083	1	1-3/16 x .030" Shim
19	6018147	1	Spur Gear, 60T 20P 20PA
20	6018228	1	Output Shaft Spacer
21	6018231	1	DP 3-Speed Blade Shaft

Assembly Notes:

1. Apply 2401315 Loctite #242 to all set screw threads

# 3-Speed Transmission #6018074

## Right Hand Side Cover





### **3-Speed Transmission #6018074**

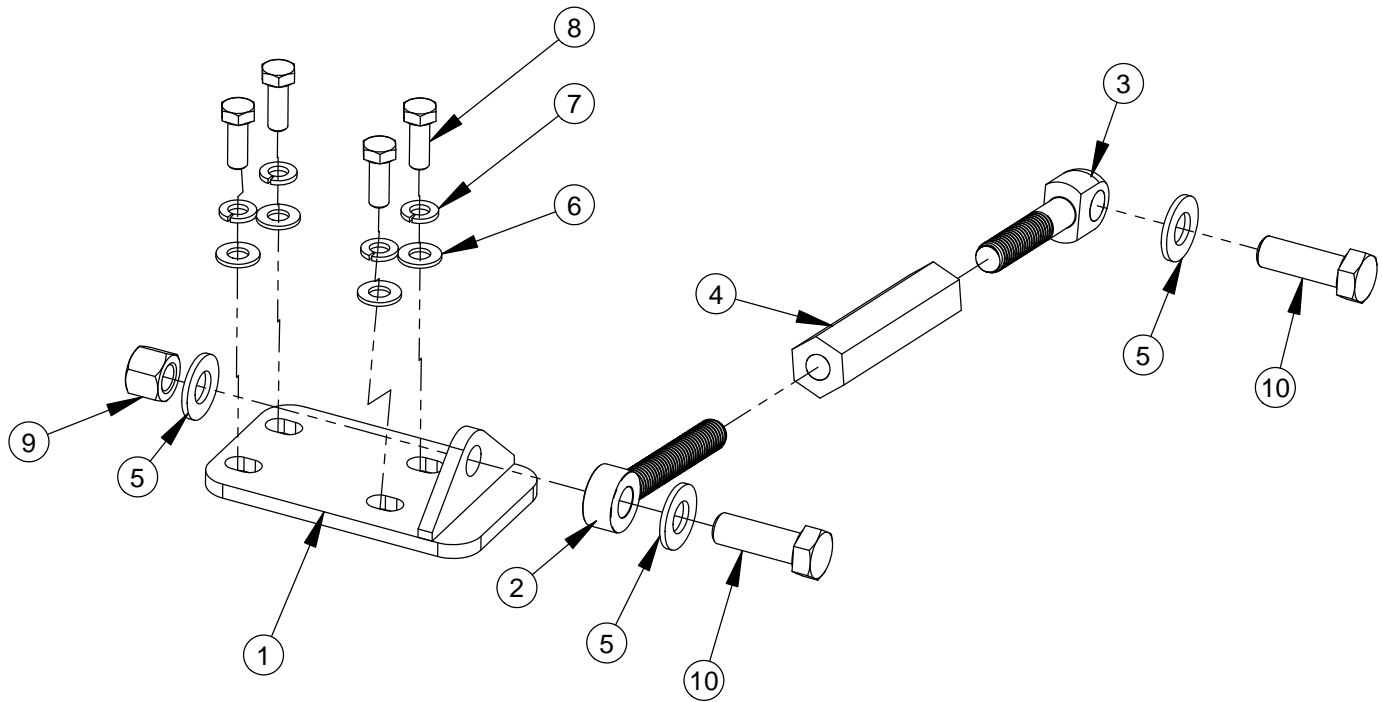
#### Right Hand Side Cover

ITEM	PART NO.	QTY	DESCRIPTION
1	2401311	AR	Loctite #567 Thread Sealant
2	2401315	AR	Loctite #242 Blue
3	2401316	AR	Loctite #262 Red
4	2501637	AR	Grease, Black Lithium
5	2503802	AR	Permatex Ultra Black
6	2503837	1	Retaining Ring, Ext 1.750 HD
7	2503858	1	Shim, 45 x 55 x .5mm
8	2506433	1	O-Ring, AS568A-154 Viton
9	2506438	2	O-Ring, AS568A -327
10	2506440	1	Spherical Roller Brg, 50 x 90 x 23mm
11	2506441	1	Oil Seal, 1/2 x 1.00 x 1/4"
12	2506442	1	Seal, 2-1/2" V-Ring
13	2800169	1	Magnetic Sensor w/Jam Nut
14	2900142	4	Set Screw, Soc. Hd., 5/16-18 x 3/8"
15	2900176	6	Cap Screw, Soc. Hd., 5/16-18 x 1-1/4"
16	2900805	1	Sealing Washer, 5/8"
17	2900912	2	Cap Screw, Soc. Hd., 5/16-18 x 3/4"
18	2900982	2	Dowel Pin, 1/4" Dia. x 1"
19	2901639	4	Set Screw, Soc. Hd., 3/8-24 x 3/8
20	2903241	4	Cap Screw, Soc. Hd., #6-32 x 1/4"
21	2903243	4	Cap Screw, Soc. Hd., 5/16-18 x 2-1/4"
22	2903244	1	Dowel Pin, 1/4" Dia. x 1/2"
23	3200153	1	Pipe Plug, 3/8" NPT
24	6018058	1	Right Side Transmission Cover
25	6018064	1	Shift Bracket
26	6018065	1	Shifter Housing
27	6018086	1	Seal Sleeve
28	6018087	1	V-Ring Cover
29	6018088	1	Grooved Seal Plate
30	6018089	1	Oil Seal, 2-9/16 x 3-5/8 x 15/32"
31	6018105	1	Bearing Spacer
32	6018108	1	RH Bladeshft Housing
33	6018227	1	Retaining Plate

#### Assembly Notes:

1. Apply 2401311 thread sealant to all male pipe threads and screw threads on 2800169 magnetic sensor
2. Screw sensor into port until tip touches OD of tach gear, back sensor out 1/2 turn and lock in place w/ jam nut
3. Apply 2401315 Loctite #242 to all set screw threads & 2401316 Loctite #262 to all cap screw threads
4. Lubricate all O-Rings, seal lips and shaft journals with 2501637 lithium grease
5. Seal all gasket surfaces with 2503802 Permatex Ultra Black

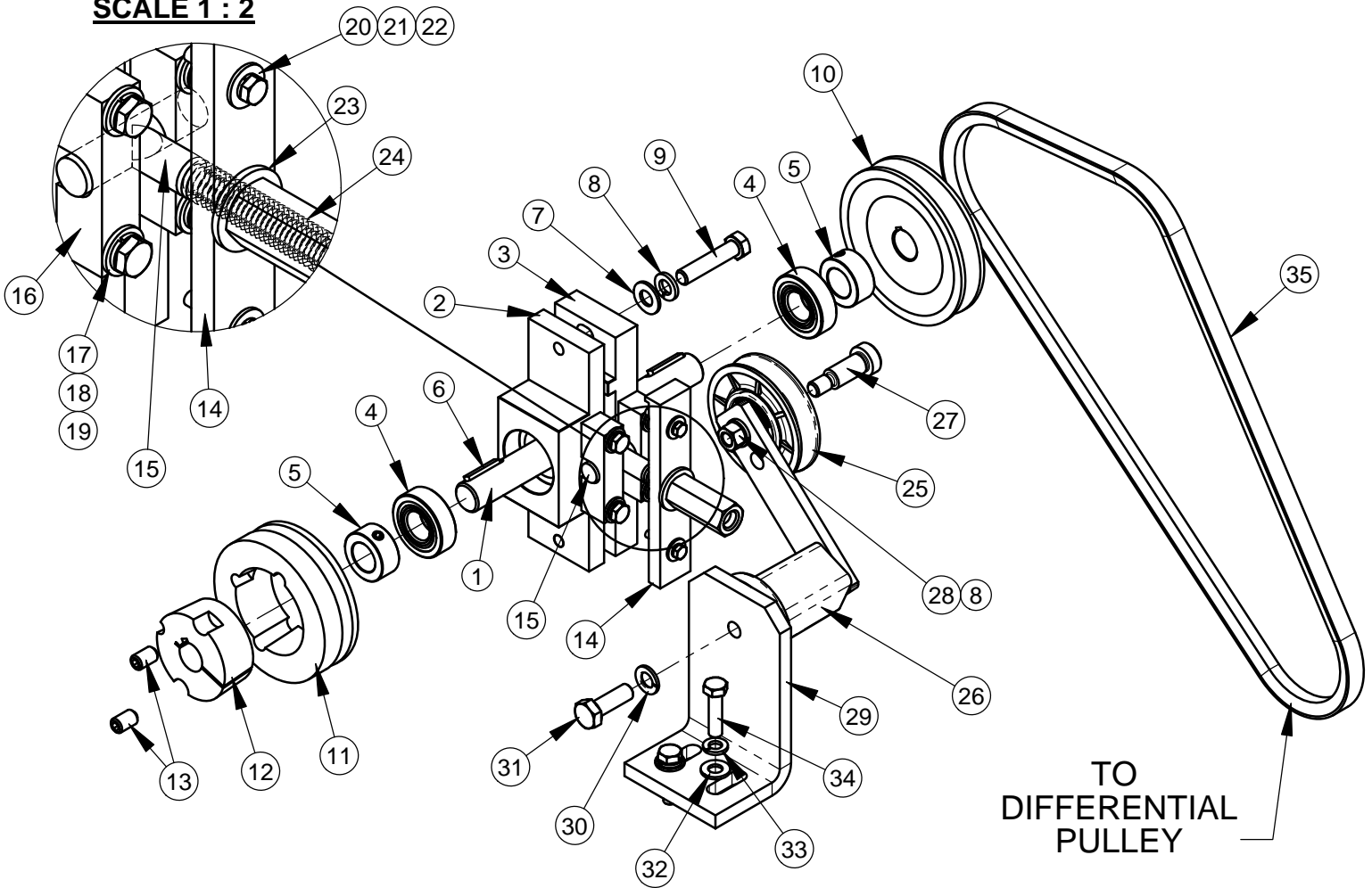
## 6045490 TENSION ASSEMBLY



ITEM	PART NO.	QTY.	DESCRIPTION
1	6045442	1	Tension Mount
2	6045366	1	Rod End: Left Hand 1/2-13
3	2503192	1	Rod End 1/2-13
4	2901013	1	Coupling Nut, 1/2-13 x 4 LH/RH
5	2900058	3	Flat Washer, 1/2" SAE
6	2900022	4	Flat Washer, 5/16" SAE
7	2900031	4	Lock Washer, 5/16" Split
8	2900668	4	Cap Screw, Hex Hd., 5/16-18 x 7/8"
9	2900026	1	Lock Nut, 1/2-13 Nylon
10	2900499	2	Cap Screw, Hex Hd., 1/2-13 x 1-1/2"

# 6011489 DIFFERENTIAL JACKSHAFT ASSEMBLY

**DETAIL A**  
**SCALE 1 : 2**

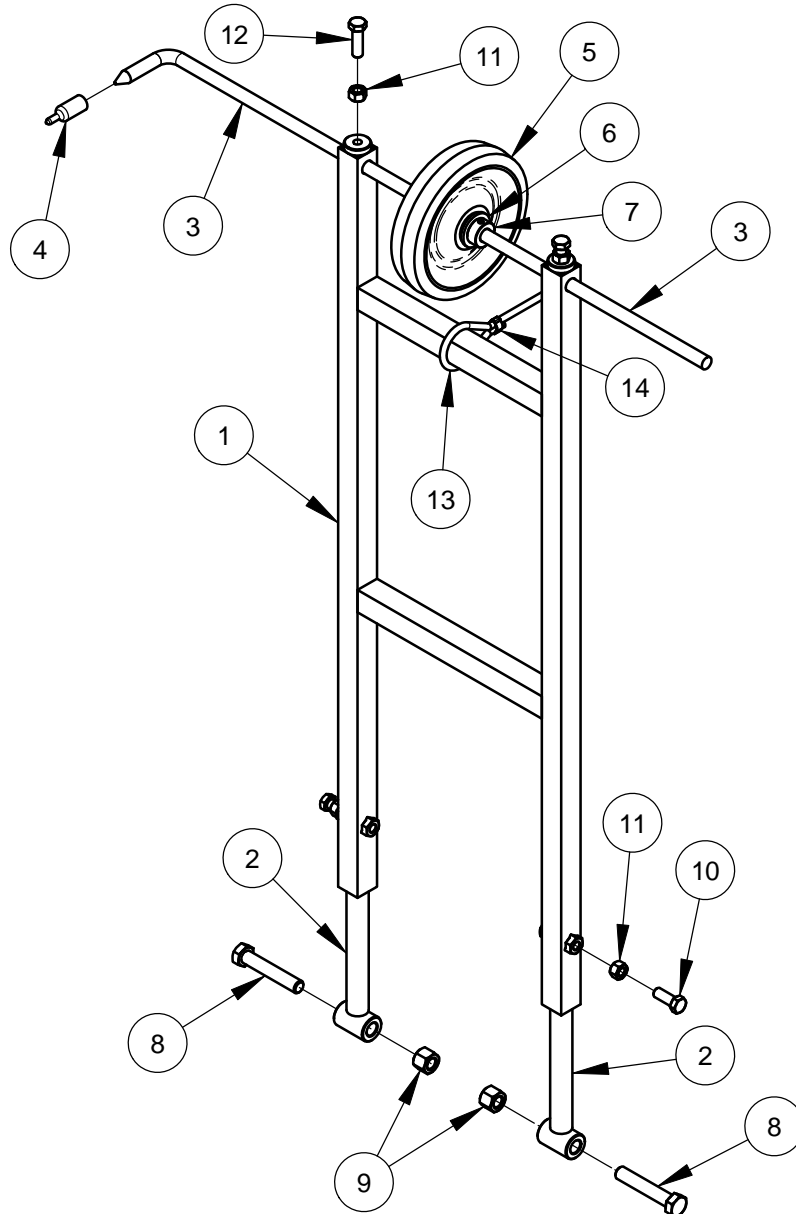


TO  
DIFFERENTIAL  
PULLEY

ITEM	PART NO.	QTY.	DESCRIPTION
1	6045080	1	Differential Jackshaft
2	6045452	1	Outer Tension Block
3	6045453	1	Inner Tension Block
4	2502841	2	Ball Bearing, .75 x 1.63 x .50, Double Sealed
5	2400615	2	Set Collar, 3/4"
6	6010170	2	Key, 3/16" Sq. x 1"
7	2900014	2	Flat Washer, 3/8" SAE
8	2900006	3	Lock Washer, 3/8" Split
9	2900047	2	Cap Screw, Hex Hd., 3/8-16 x 1-3/4"
10	2500455	1	Pulley, 4" Single Groove w/Setscrews
11	2501325	1	Sheave, 3V-3.6-1 Groove
12	2501191	1	Taper Bushing, 3/4" w/ setscrews
13	2900484	2	Set Screw, Soc. Hd., 3/8-16 x 5/8"
14	6045455	1	Static Tension Plate
15	2900632	1	T-Bolt, 1/2-13
16	6045454	2	Tension Block Clamp
17	2900009	4	Flat Washer, 1/4" SAE
18	2900024	4	Lock Washer, 1/4" Split

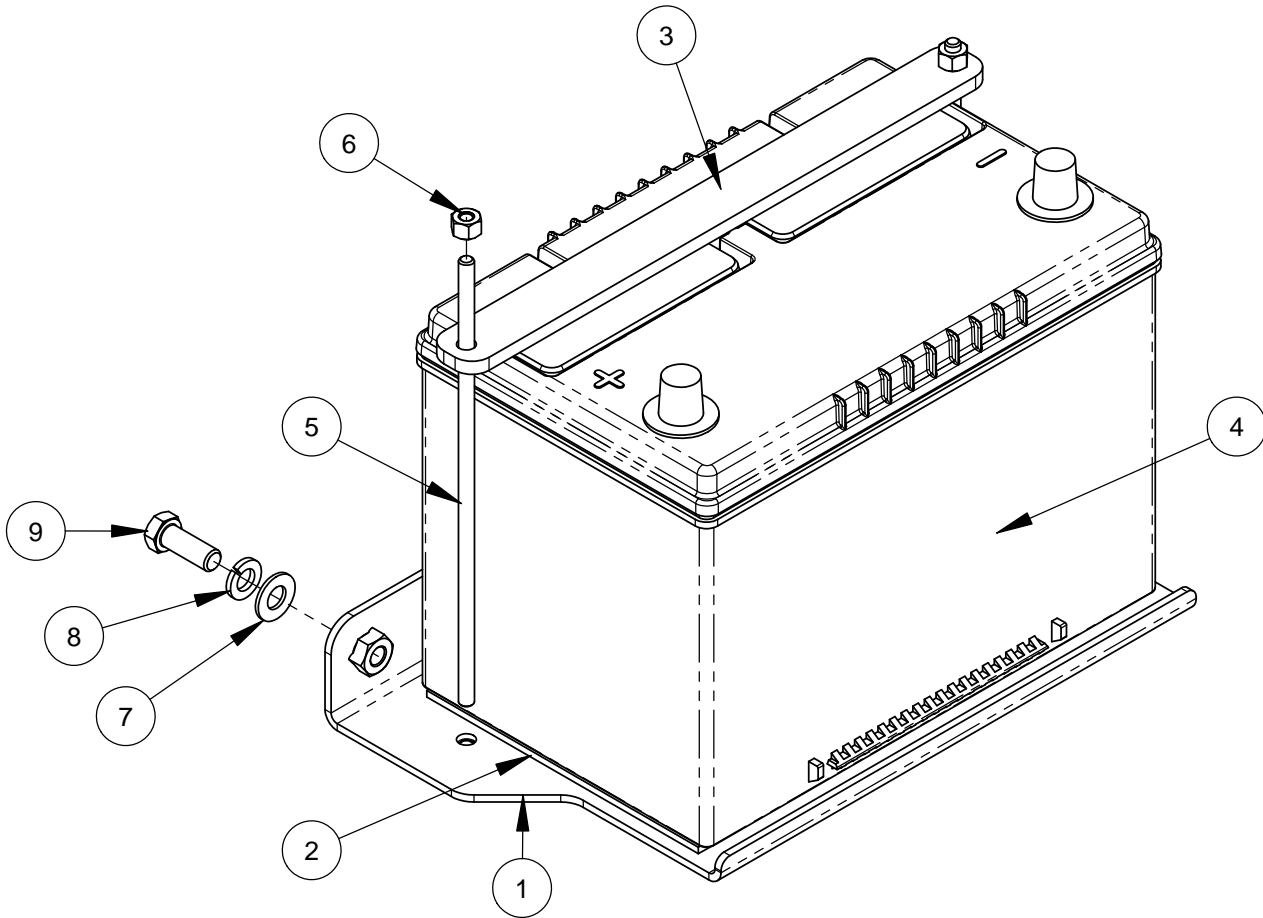
ITEM	PART NO.	QTY.	DESCRIPTION
19	2900048	4	Cap Screw, Hex Hd., 1/4-20 x 1-1/2"
20	2900016	2	Flat Washer, #10 USS
21	2900038	2	Lock Washer, #10 Split
22	2900054	2	Machine Screw, Hex Hd., #10-24 x 1"
23	2900058	1	Flat Washer, 1/2" SAE
24	2900683	1	Coupling Nut, 1/2-13 x 1-3/4
25	2502669	1	Idler Pulley, 3" V-Type
26	2502666	1	Idler Tensioner
27	2900587	1	Shoulder Screw, 1/2" x 1" (3/8-16)
28	2900033	1	Hex Nut, 3/8-16
29	6045074	1	Differential Belt Tensioner Mount
30	2900321	1	Lock Washer, M10 Split
31	2900223	1	Cap Screw, Hex Hd., M10-1.5 x 30mm
32	2900022	2	Flat Washer, 5/16" SAE
33	2900031	2	Lock Washer, 5/16" Split
34	2900217	2	Cap Screw, Hex Hd., 5/16-18 x 1-1/4"
35	2501968	1	V-Belt, AX36

## Front Pointer Assembly #6010540



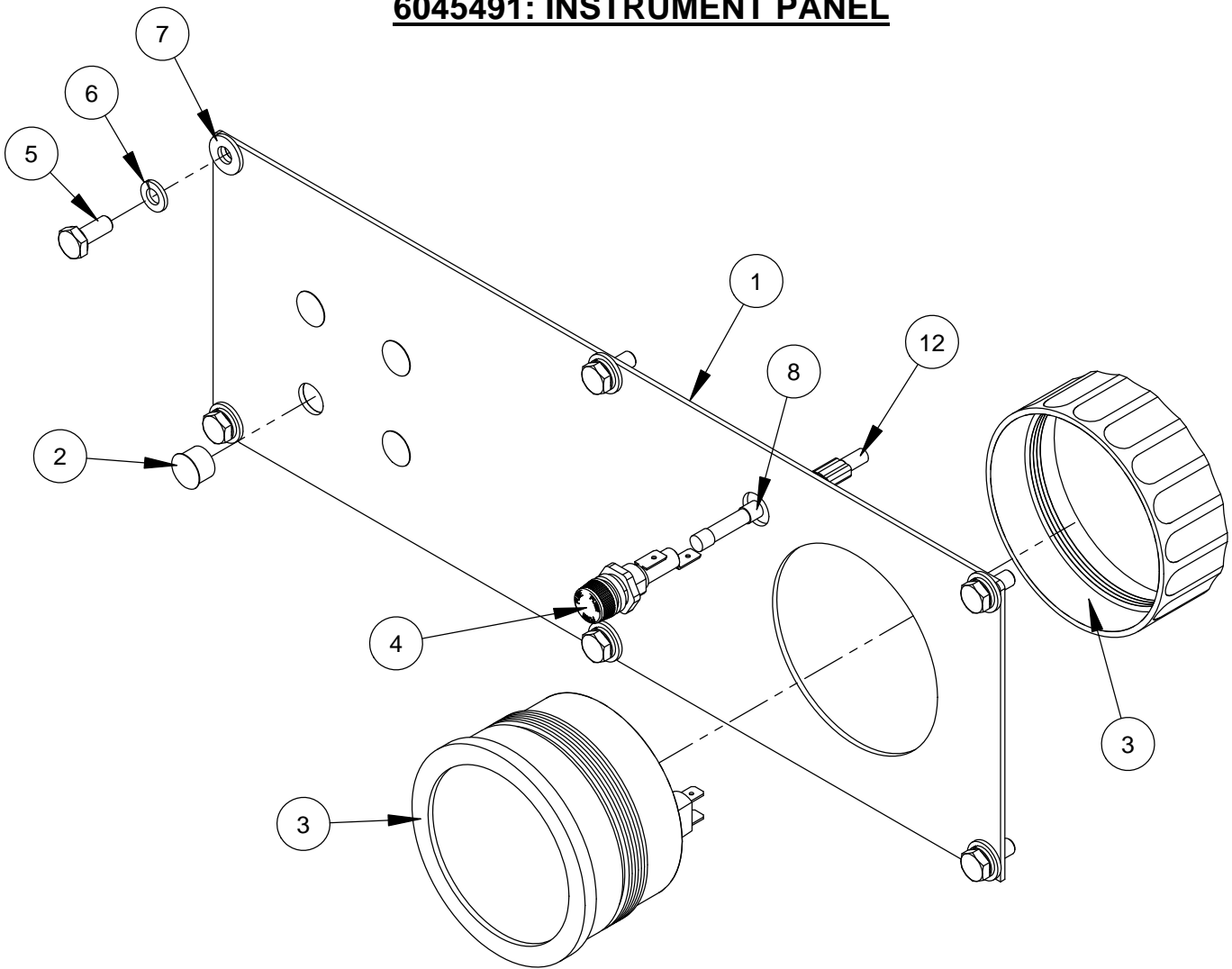
ITEM	PART NO.	QTY.	DESCRIPTION
1	6010541	1	Front Pointer Frame
2	6011152	2	Front Pointer Arm
3	6013025	1	Front Pointer Rod
4	2500740	1	Pointer Cap
5	2501409	1	Wheel, 6"
6	2900127	2	Flat Washer, 1/2" USS
7	2500007	2	Set Collar, 1/2" with Set Screw
8	2900105	2	Cap Screw, Hex Hd., 1/2-13 x 2-3/4"
9	2900026	2	Lock Nut, 1/2-13 Nylon
10	2900005	2	Cap Screw, Hex Hd., 3/8-16 x 1"
11	2900033	4	Hex Nut, 3/8-16
12	2900013	2	Cap Screw, Hex Hd., 3/8-16 x 1-1/4"
13	6017241	1	Pointer Rope 11 Foot
14	3200221	2	Pinch Clamp, Two Ear

## 6045350: BATTERY ASSEMBLY



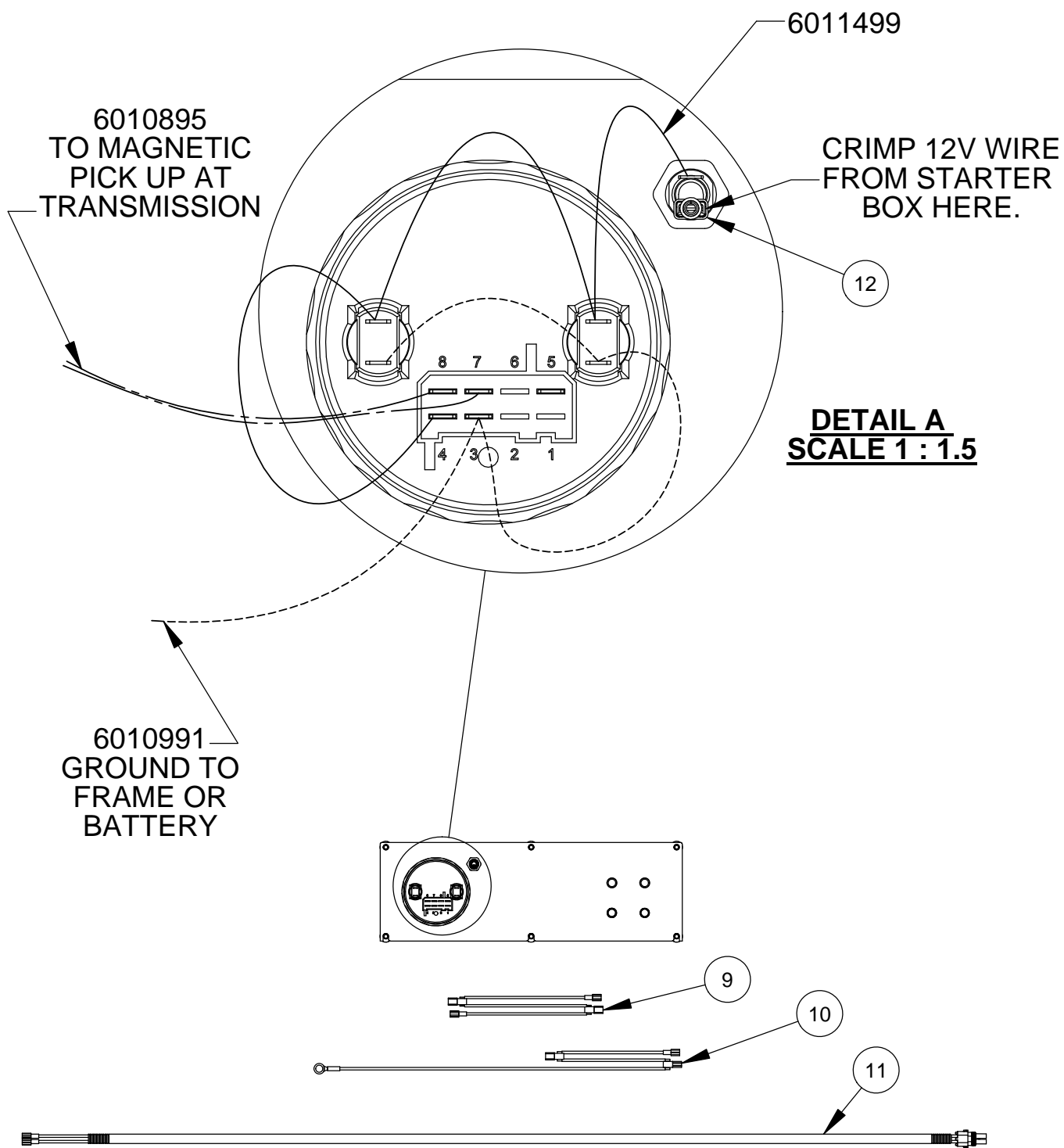
ITEM	PART NO.	QTY.	DESCRIPTION
1	6045345	1	Battery Tray Weldment
2	6010016	1	Battery Pad
3	6010017	1	Battery Top Brace
4	2700208	1	Battery, 12 Volt Group Size 34
5	6010018	2	Rod, 1/4-20 x 8-1/2"
6	2900010	2	Lock Nut, 1/4-20 Nylon
7	2900014	2	Flat Washer, 3/8" SAE
8	2900006	2	Lock Washer, 3/8" Split
9	2900005	2	Cap Screw, Hex Hd., 3/8-16 x 1"

## 6045491: INSTRUMENT PANEL

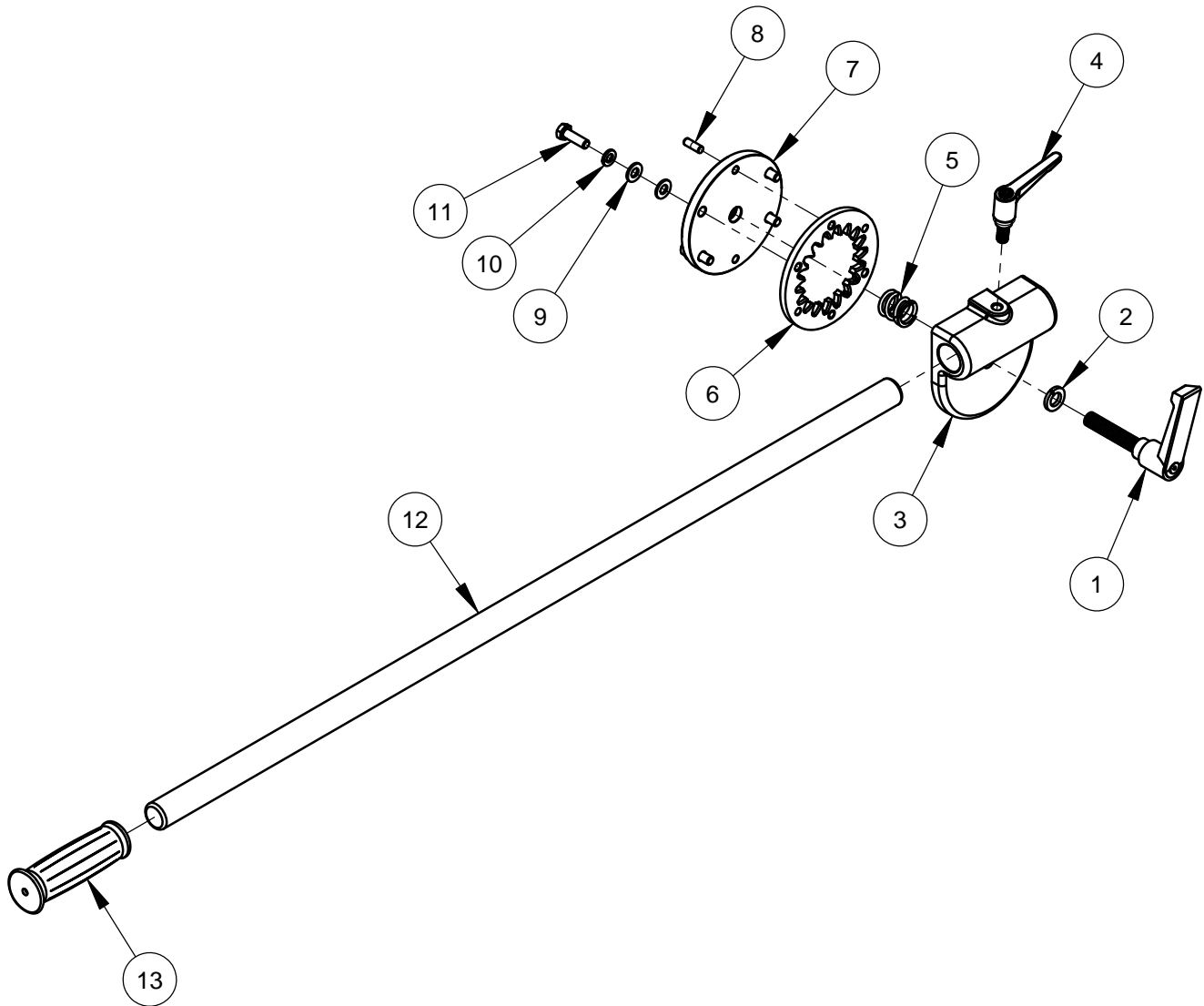


ITEM	PART NO.	QTY.	DESCRIPTION
1	6045443	1	Panel, Guage
2	2500204	4	Plug, 1/2" Hole
3	6010421	1	Tach/Hour Meter (VD)) Calibrated
4	2800481	1	Fuse Holder
5	2900023	6	Cap Screw, Hex Hd., 1/4-20 x 5/8"
6	2900024	6	Lock Washer, 1/4" Split
7	2900009	6	Flat Washer, 1/4" SAE
8	2801493	1	Fuse, 2 Amp
9	6011499	1	Wire Assy., 16 Gage Red
10	6010991	1	Wire Assy., 14 G. Green
11	6010895	1	Wire Assy., 2 Wire, 14 Ga.
12	2800074	1	QD Terminal, 1/4" Female (16-14 AWG) Blue

# 6045491: INSTRUMENT PANEL



## Handle Assembly #6011333

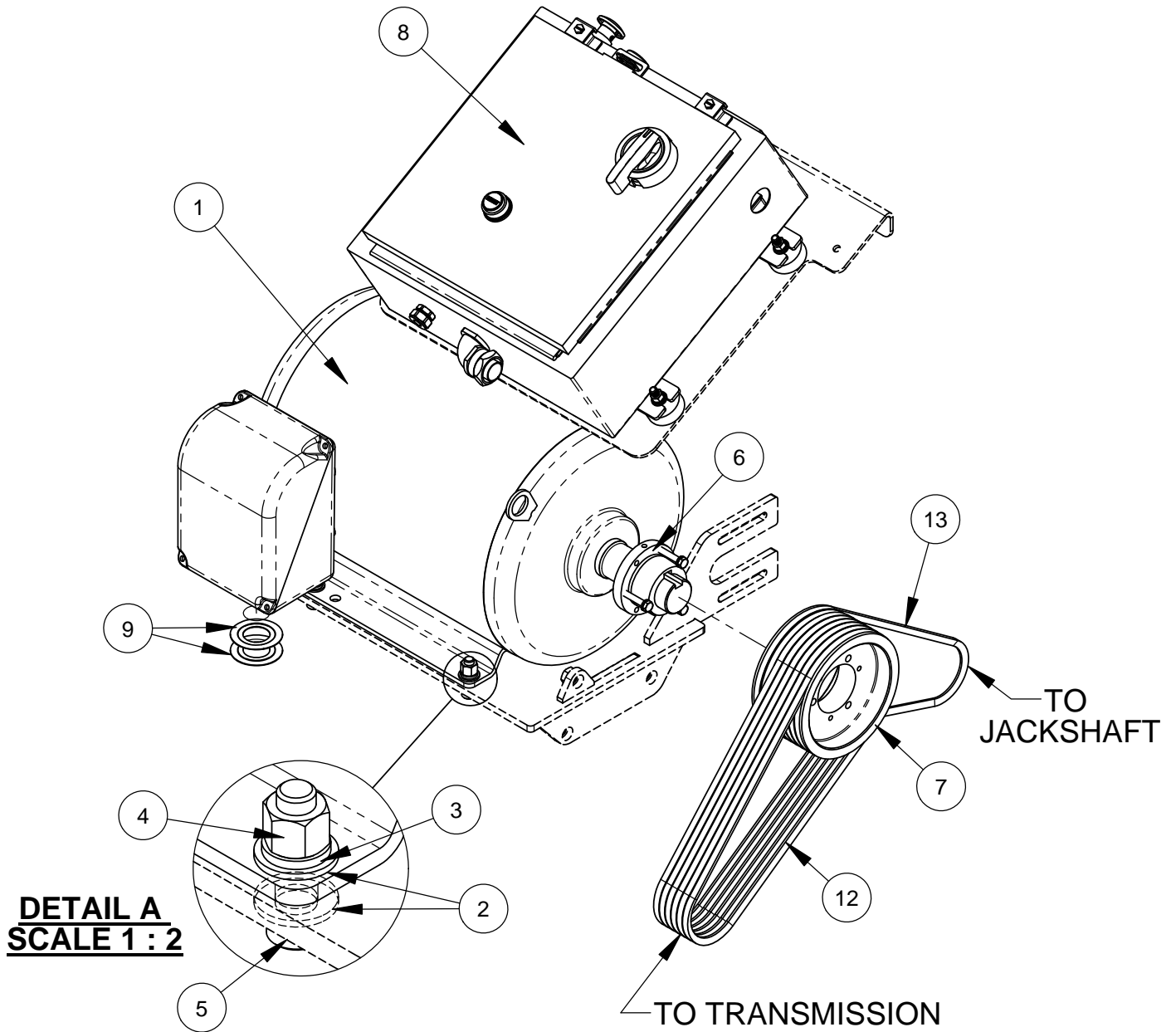


ITEM	PART NO.	QTY	DESCRIPTION
1	2503903	1	Lever, Adjustable /w Stud
2	2900084	1	Lock Washer, 1/2" Split
3	6011375	1	Handle Bracket Assembly
4	2503971	1	Lever, Adjustable w/ 3/8"-16 Stud
5	2503943	1	Compression Spring, .960 x 1.00
6	6011372	1	Int Spur Gear, 6DP, 18T, 20PA
7	6011334	1	Handle Bracket Backing Plate Asm
8	2900207	2	Dowel Pin, 1/4" Dia. x 3/4"
9	2900022	8	Flat Washer, 5/16" SAE
10	2900031	4	Lock Washer, 5/16" Split
11	2900138	4	Cap Screw, Hex Hd., 5/16-18 x 1"
12	6010014	1	Handle Bar, 36" Long
13	2500636	1	Handle Grip



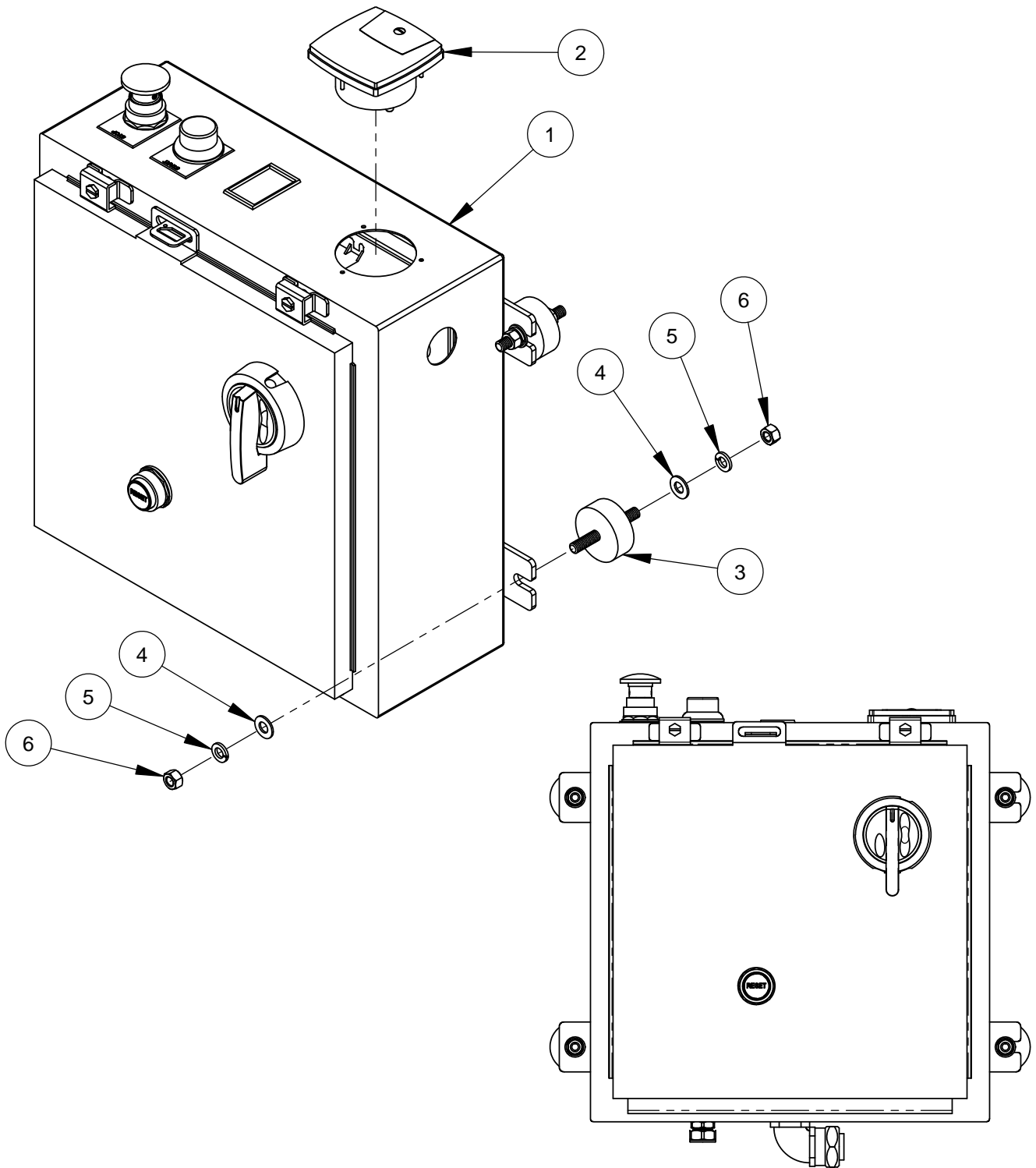


## 6045488 MOTOR AND STARTER ASSEMBLY



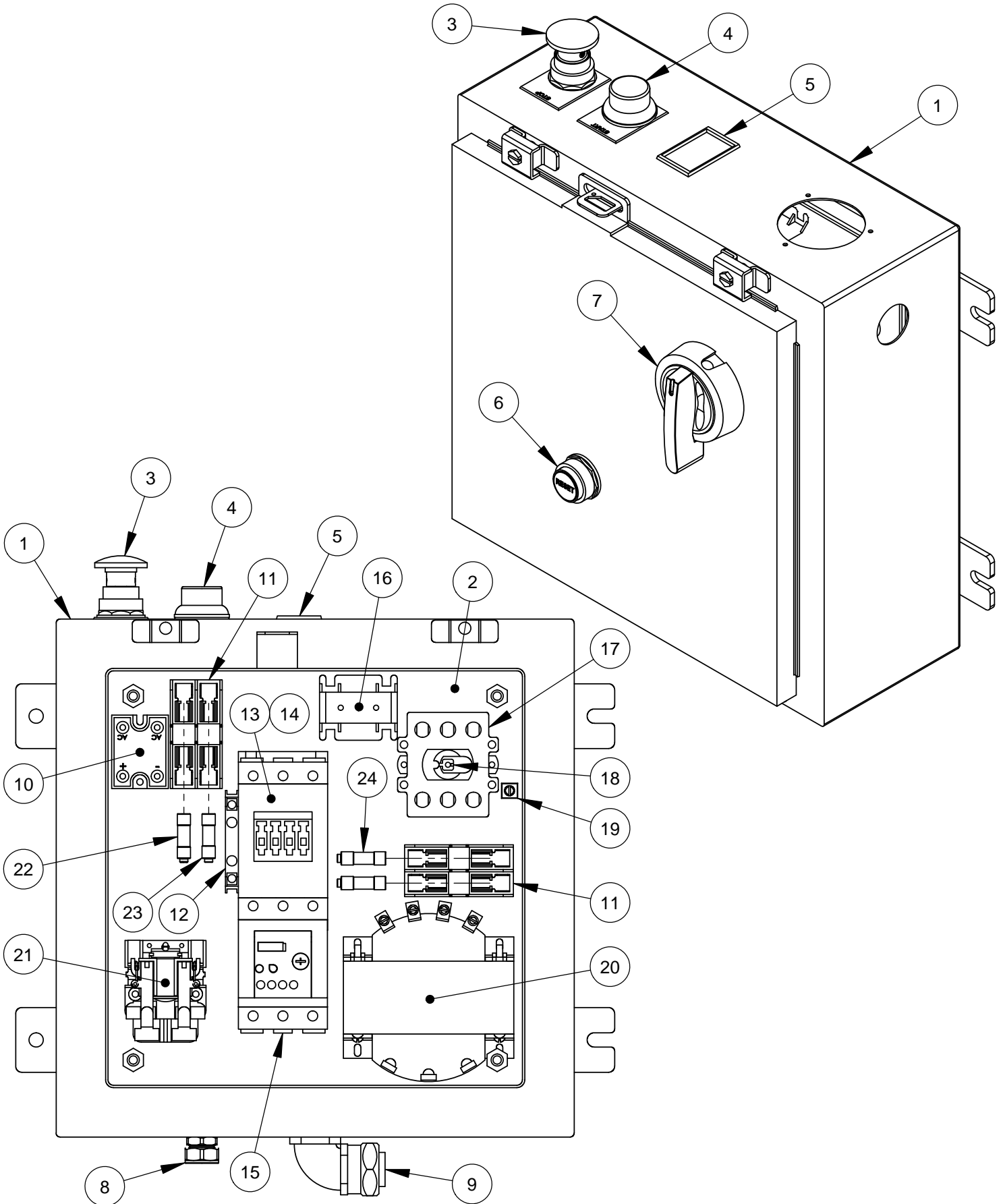
ITEM	PART NO.	QTY.	DESCRIPTION
1	2600320	1	Motor, 30hp Baldor
2	2900058	8	Flat Washer, 1/2" SAE
3	2900084	4	Lock Washer, 1/2" Split
4	2900026	4	Lock Nut, 1/2-13 Nylon
5	2900119	4	Cap Screw, Soc. Hd., 1/2-13 x 3/4"
6	2500932	1	QD Bushing, SK x 1-7/8" w/Fasteners
7	2500866	1	Sheave, 3V-6.90-8 Groove QD/SK
8	6012130C	1	Starter Box Assembly
9	2802056	2	Washer, Reducer, 2.62 - 1.36"
12	2500793	6	V-Belt, 3VX425
13	2500037	1	V-Belt, 3VX375

## 6012130 STARTER BOX ASSEMBLY



<b>FOR 30HP MOTOR</b>			
ITEM	PART NO.	QTY.	DESCRIPTION
1	2800215	1	Starter Box Unit
2	2800203	1	Amp Meter 30HP
3	2500678	4	Vibration Isolator, 3/8-16
4	2900014	8	Flat Washer, 3/8" SAE
5	2900006	8	Lock Washer, 3/8" Split
6	2900033	8	Hex Nut, 3/8-16

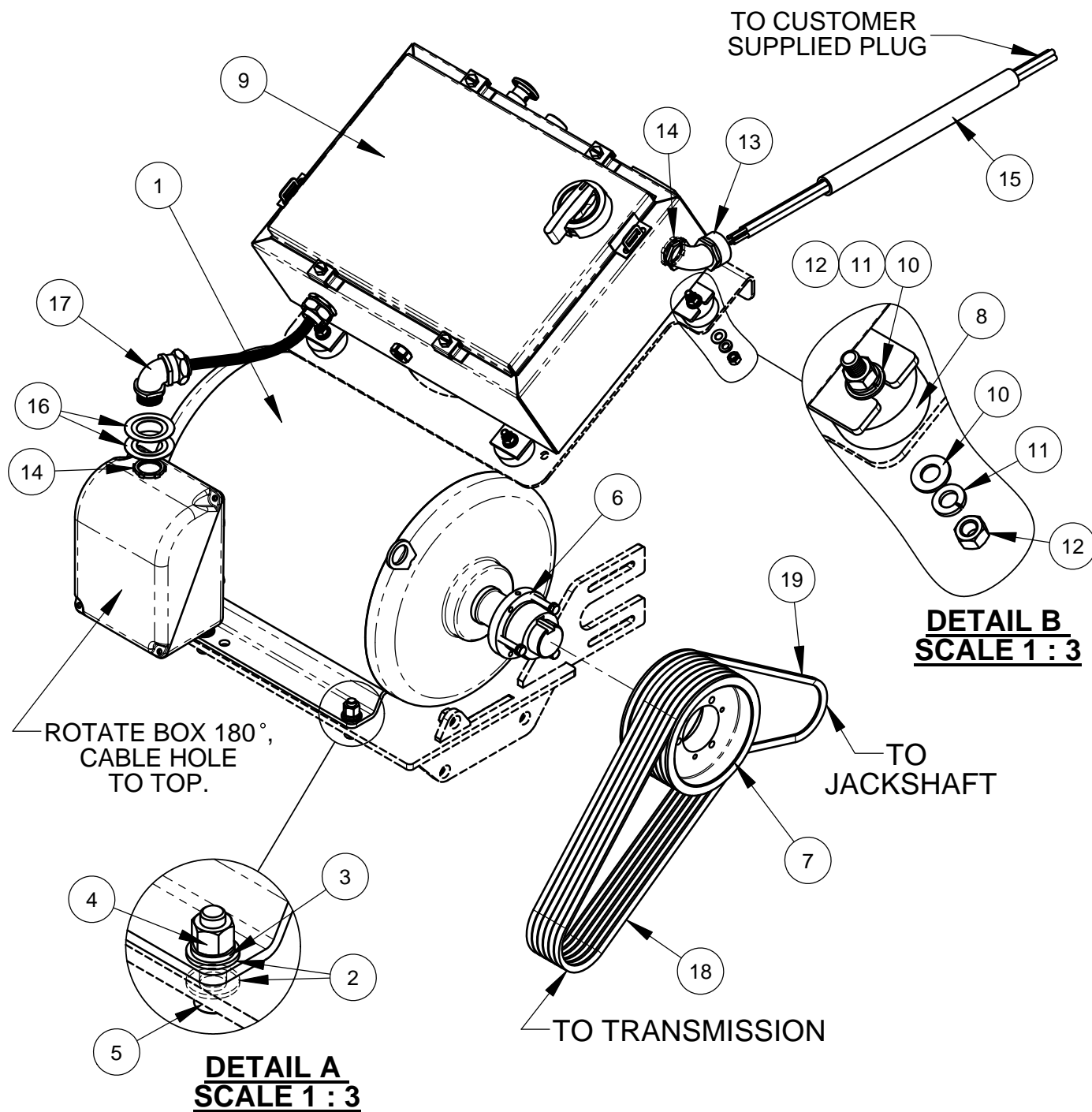
# 2800215 STARTER BOX



## 2800215 STARTER BOX

ITEM	PART NO.	QTY.	DESCRIPTION
1	2800240	1	Enclosure
2	2800249	1	Subpanel
3	6011329	1	Stop Button Assembly
	2800599	1	Stop Button Body & Cap
	2800200	1	Contact Block (N.C.)
	1800922	1	Stop Label
4	6011097	1	Start Button Assembly
	2701390	1	Start Button Body
	2701392	1	Contact Block (N.O.)
	2800317	1	Green Button Cap
	2800222	1	Clear Protective Boot
	1800923	1	Start Label
5	2800224	1	Battery Charge Ammeter
6	2800245	1	Reset Button
7	2707338	1	Disconnect Handle
8	2800552	1	Connector, 1/2" Cord
9	2800312	2	Connector, 1" Sealtite Elbow
10	2701274	1	Rectifier Bridge
11	2800299	2	Fuse Holder, 30A-600V Dual
12	2800400	1	Auxiliary Contact (N.O.)
13	2800401	1	Motor Contactor, Siemens
14	2800402	1	Coil, 24V-AC
15	2800403	1	Overload Relay, 25-100A
16	2800248	1	Current Transformer
17	2707339	1	Disconnect Block
18	2707337	1	Disconnect Shaft
19	2800315	1	Grounding Lug
20	2701299	1	Transformer, 500VA
21	2701295	1	Power Relay, 12V-DC
22	2701066	1	Fuse, ATQR 10A
23	2701307	1	Fuse, ATMR 25A
24	2701273	2	Fuse, ATQR 4A

# 6047058 MOTOR & SOFT START ASSEMBLY

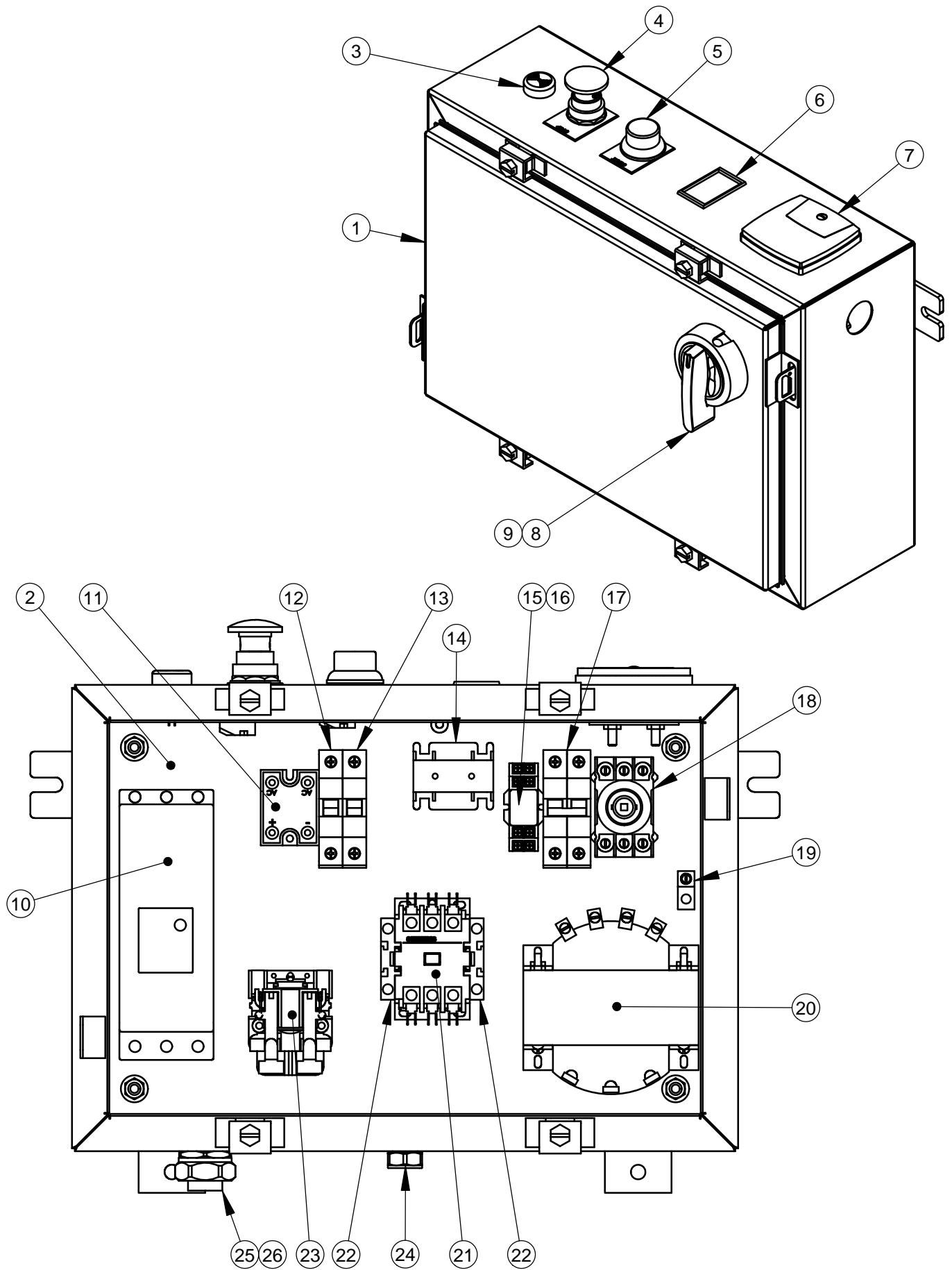


ITEM	PART NO.	QTY.	DESCRIPTION
1	2600320	1	Motor, 30hp Baldor
2	2900058	8	Flat Washer, 1/2" SAE
3	2900084	4	Lock Washer, 1/2" Split
4	2900026	4	Lock Nut, 1/2-13 Nylon
5	2900119	4	Cap Screw, Soc. Hd., 1/2-13 x 3/4"
6	2500932	1	QD Bushing, SK x 1-7/8" w/Fasteners
7	2500866	1	Sheave, 3V-6.90-8 Groove QD/SK
8	2500678	4	Vibration Isolator, 3/8-16
9	2800653	1	Soft Start Control Box

ITEM	PART NO.	QTY.	DESCRIPTION
10	2900014	8	Flat Washer, 3/8" SAE
11	2900006	8	Lock Washer, 3/8" Split
12	2900033	8	Hex Nut, 3/8-16
13	2800339	1	Cord Grip, To 7/8", 90 Deg.
14	2800193	2	Lock Nut, 1"
15	6010994	1	Cable, 6 Gage, 4 Wire, 24"
16	2802056	2	Washer, Reducer, 2.62 - 1.36"
17	2800312	1	Connector, 1" Sealtite Elbow
18	2500793	6	V-Belt, 3VX425
19	2500037	1	V-Belt, 3VX375



# 2800653 STARTER BOX

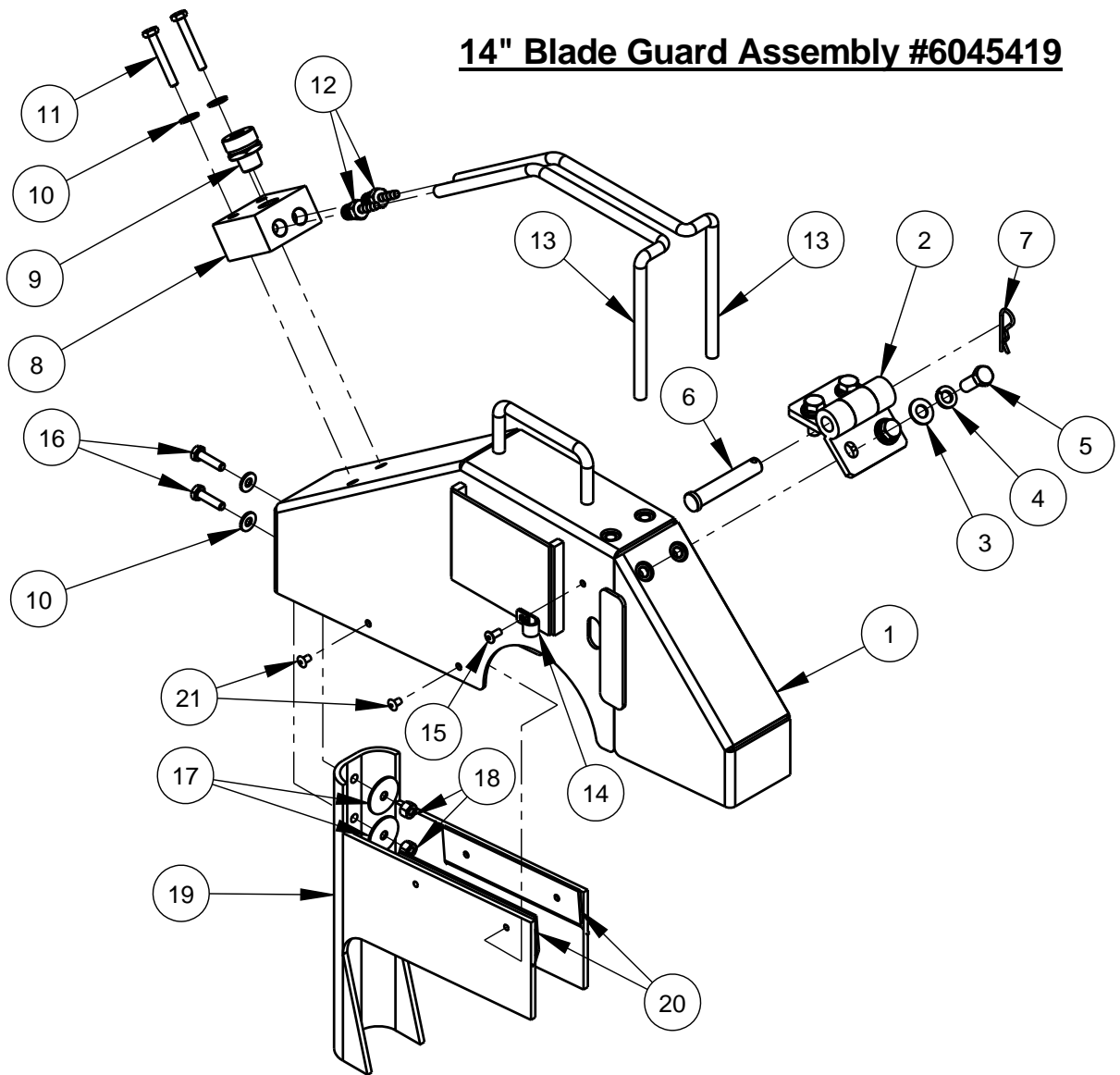




## **2800653 STARTER BOX**

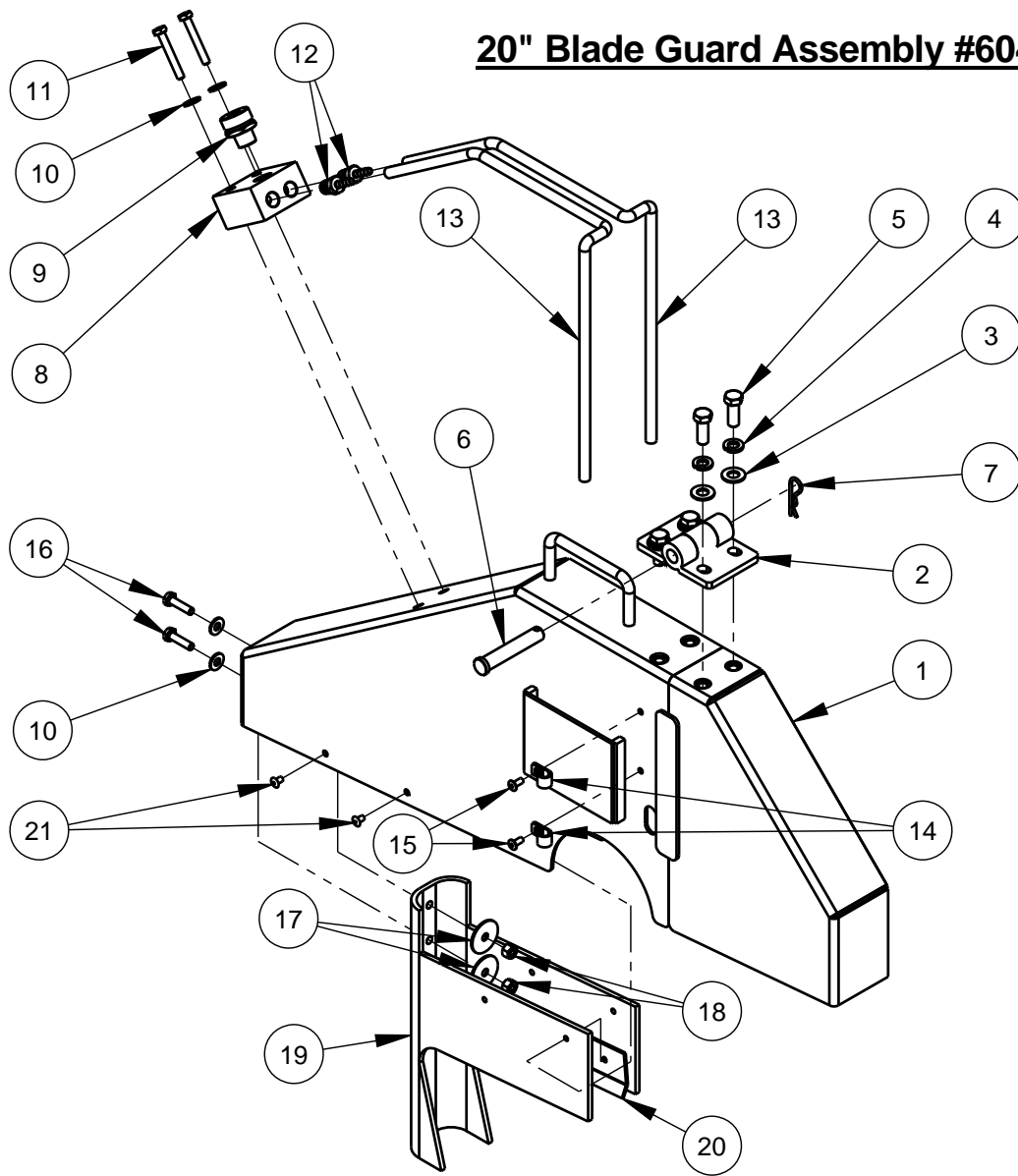
<b>ITEM</b>	<b>PART NO.</b>	<b>QTY.</b>	<b>DESCRIPTION</b>
1	2800909	1	Enclosure, 20" x 14" x 6"
2	2800910	1	Subpanel
3	2801801	1	Sounder Alarm
4	6011329	1	Stop Button Assembly
5	6011097	1	Start Button Assembly
6	2800224	1	Battery Charge Ammeter
7	2801802	1	Ammeter, 50 Amp
8	2707338	1	Disconnect Handle
9	6080020	1	Disconnect Rod
10	2803038	1	Motor Controller, Soft Start
11	2701274	1	Rectifier Bridge
12	2801433	1	Circuit Breaker, 5A, Single Pole
13	2801434	1	Circuit Breaker, 25A, Single Pole
14	2800248	1	Current Transformer
15	2801804	1	Power Relay
16	2801803	1	Relay Socket
17	2801435	1	Circuit Breaker, 3A, Double Pole
18	2701422	1	Disconnect Block
19	2800315	1	Grounding Lug
20	2701299	1	Transformer, 500VA
21	2801432	1	Contact, 24V Coil
22	2800335	2	Auxiliary Contact
23	2701295	1	Power Relay, 12V-DC
24	2800552	1	Connector, 1/2" Cord
25	2800272	1	Connector, 1" Sealtite, Straight
26	2802604	1	Insulating Bushing, Plastic, 1"

## 14" Blade Guard Assembly #6045419



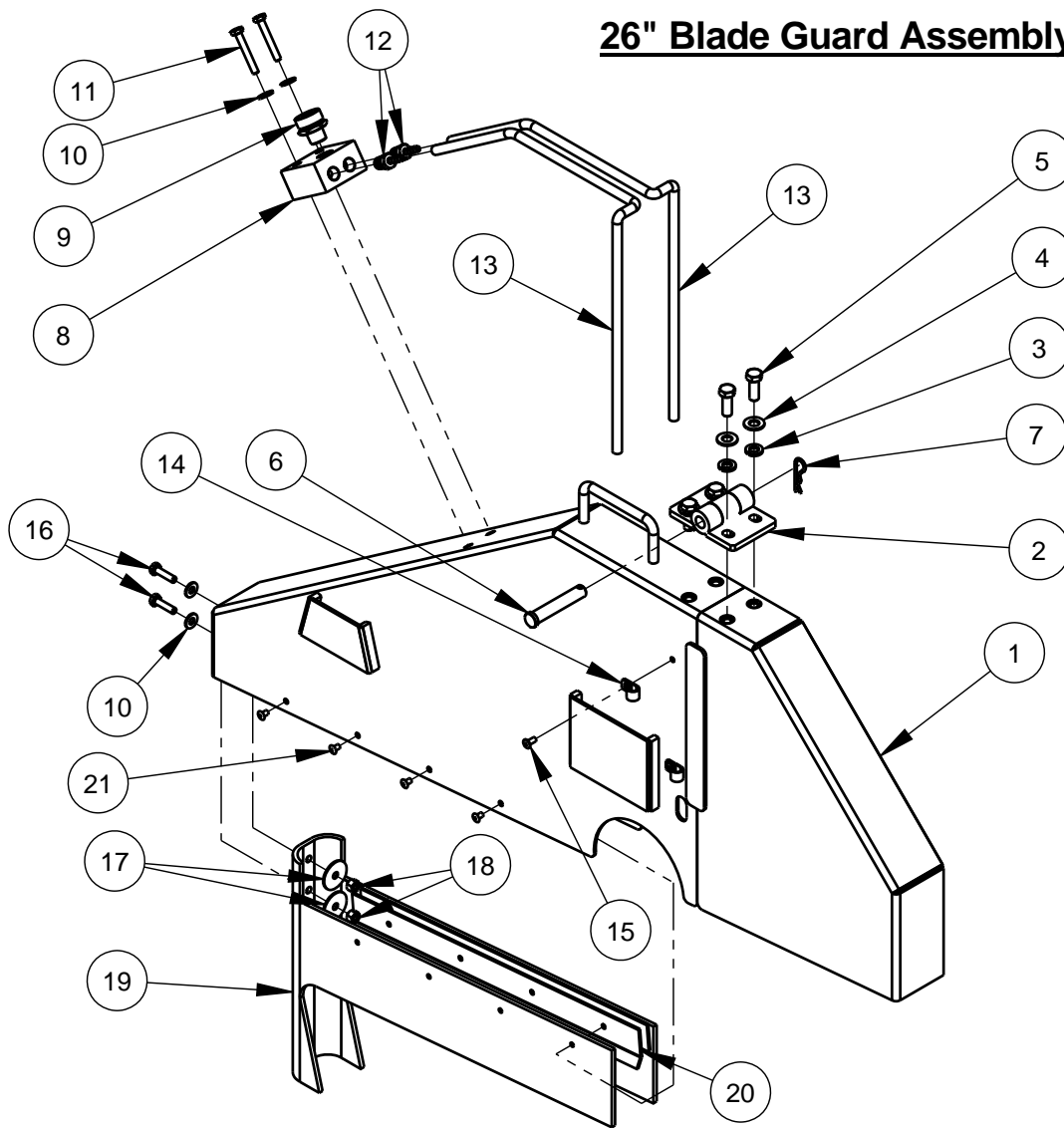
ITEM	PART NO.	QTY.	DESCRIPTION
1	6045424	1	14" Blade Guard Only
2	6041135	1	Hinge
3	2900014	4	Flat Washer, 3/8" SAE
4	2900006	4	Lock Washer, 3/8" Split
5	2900005	4	Cap Screw, Hex Hd., 3/8-16 x 1"
6	2900607	1	Clevis Pin, 1/2" x 2-3/4"
7	2900262	1	Hairpin Cotter
8	6045162	1	Water Manifold
9	3200002	1	Fitting, 3/4" M. Pipe to 3/4" M. Garden
10	2900009	4	Flat Washer, 1/4" SAE
11	2900392	2	Cap Screw, Hex Hd., 1/4-20 x 1-3/4"
12	3200019	2	Fitting, 1/4" NPSM Straight Pipe to 1/4" Hose Barb
13	6045110	2	Hose, 1/4" x 3/8" x 15"
14	3200039	2	Clamp, 3/8"
15	2900201	2	Rivet, 3/16" Dia.
16	2900008	2	Cap Screw, Hex Hd., 1/4-20 x 1"
17	2900083	2	Fender Washer, 1/4" x 1-1/4"
18	2900010	2	Lock Nut, 1/4-20 Nylon
19	6045178	1	Splash Flap (CC4144D)
20	6045179	2	SPLASH FLAP RETAINING STRIP
21	2900071	4	Rivet, 3/16"

## 20" Blade Guard Assembly #6045420



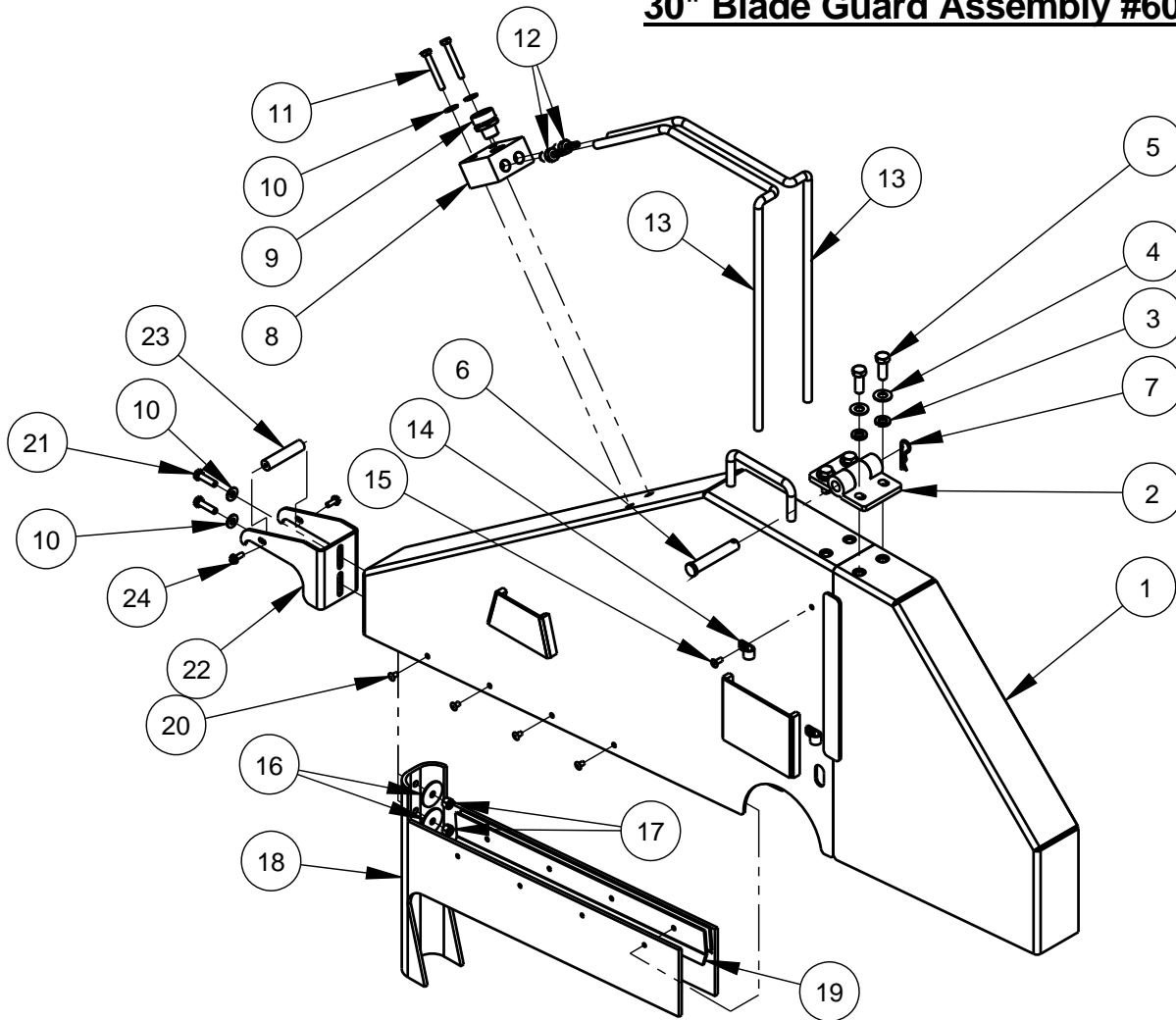
ITEM	PART NO.	QTY.	DESCRIPTION
1	6045425	1	20" Blade Guard Only
2	6041135	1	Hinge
3	2900014	4	Flat Washer, 3/8" SAE
4	2900006	4	Lock Washer, 3/8" Split
5	2900005	4	Cap Screw, Hex Hd., 3/8-16 x 1"
6	2900607	1	Clevis Pin, 1/2" x 2-3/4"
7	2900262	1	Hairpin Cotter
8	6045162	1	Water Manifold
9	3200002	1	Fitting, 3/4" M. Pipe to 3/4" M. Garden
10	2900009	4	Flat Washer, 1/4" SAE
11	2900392	2	Cap Screw, Hex Hd., 1/4-20 x 1-3/4"
12	3200019	2	Fitting, 1/4" NPSM Straight Pipe to 1/4" Hose Barb
13	6045109	2	Hose, 1/4" x 3/8" x 19"
14	3200039	4	Clamp, 3/8"
15	2900201	4	Rivet, 3/16" Dia.
16	2900008	2	Cap Screw, Hex Hd., 1/4-20 x 1"
17	2900083	2	Fender Washer, 1/4" x 1-1/4"
18	2900010	2	Lock Nut, 1/4-20 Nylon
19	6045178	1	Splash Flap (CC4144D)
20	6045179	2	SPLASH FLAP RETAINING STRIP
21	2900071	4	Rivet, 3/16"

## 26" Blade Guard Assembly #6045421



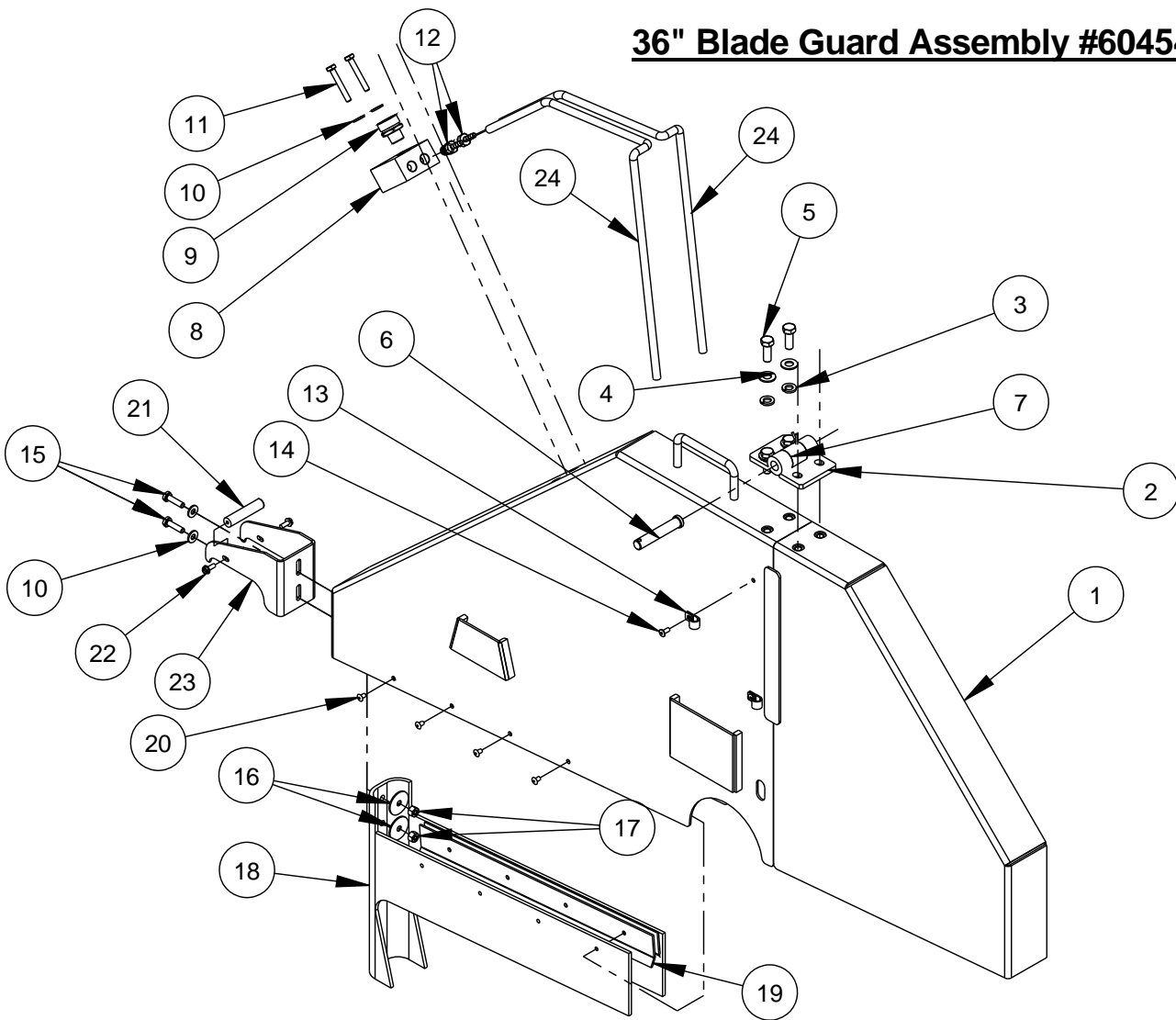
ITEM	PART NO.	QTY.	DESCRIPTION
1	6045426	1	26" Blade Guard Only
2	6041135	1	Hinge
3	2900006	4	Lock Washer, 3/8" Split
4	2900014	4	Flat Washer, 3/8" SAE
5	2900005	4	Cap Screw, Hex Hd., 3/8-16 x 1"
6	2900607	1	Clevis Pin, 1/2" x 2-3/4"
7	2900262	1	Hairpin Cotter
8	6045162	1	Water Manifold
9	3200002	1	Fitting, 3/4" M. Pipe to 3/4" M. Garden
10	2900009	4	Flat Washer, 1/4" SAE
11	2900392	2	Cap Screw, Hex Hd., 1/4-20 x 1-3/4"
12	3200019	2	Fitting, 1/4" NPSM Straight Pipe to 1/4" Hose Barb
13	6045106	2	Hose, 1/4" x 3/8" x 25"
14	3200039	4	Clamp, 3/8"
15	2900201	4	Rivet, 3/16" Dia.
16	2900008	2	Cap Screw, Hex Hd., 1/4-20 x 1"
17	2900083	2	Fender Washer, 1/4" x 1-1/4"
18	2900010	2	Lock Nut, 1/4-20 Nylon
19	6045174	1	Splash Flap (CC4144D)
20	6045172	2	Splash Flap Retaining Strip (Long)
21	2900071	8	Rivet, 3/16"

## 30" Blade Guard Assembly #6045422



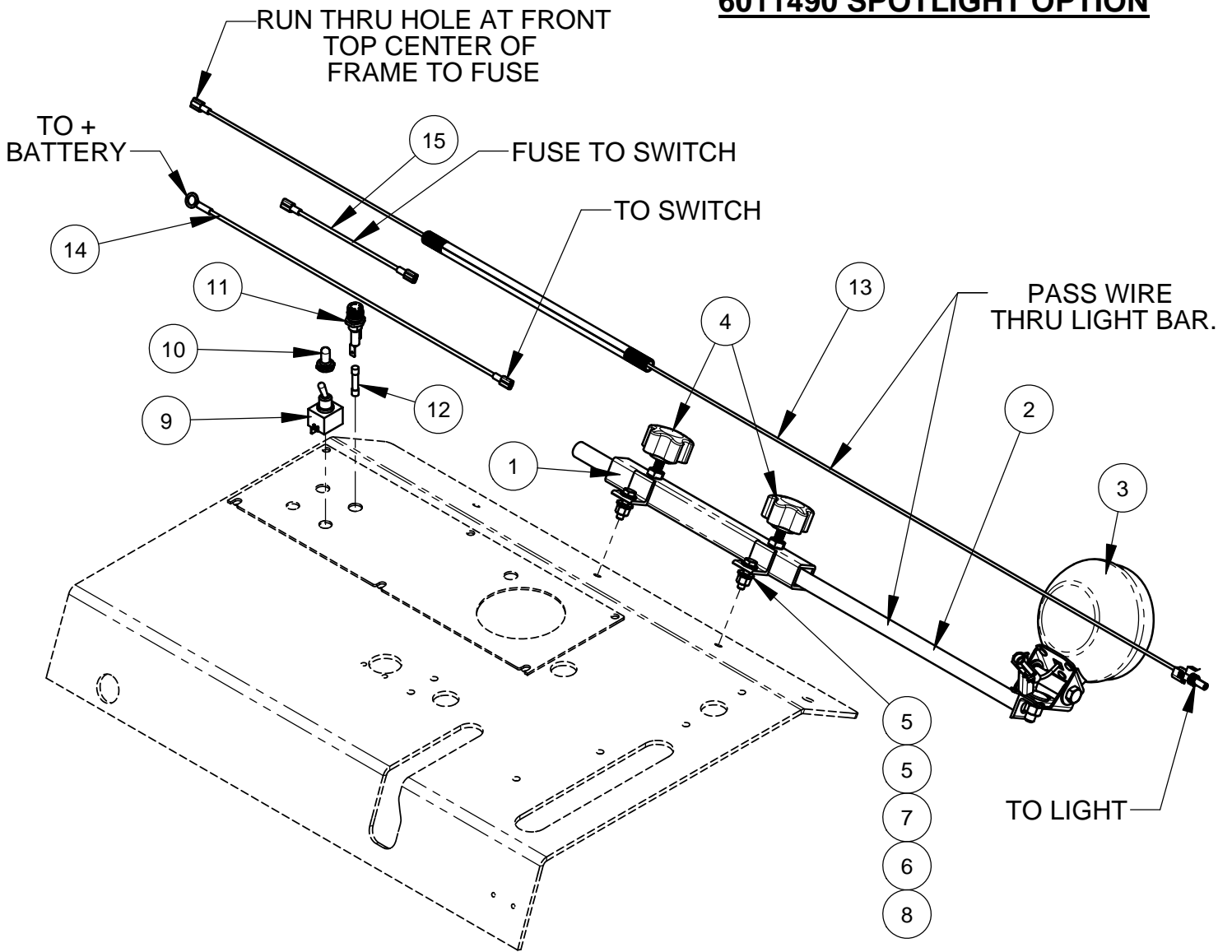
ITEM	PART NO.	QTY.	DESCRIPTION
1	6045427	1	30" Blade Guard Only
2	6041135	1	Hinge
3	2900006	4	Lock Washer, 3/8" Split
4	2900014	4	Flat Washer, 3/8" SAE
5	2900005	4	Cap Screw, Hex Hd., 3/8-16 x 1"
6	2900607	1	Clevis Pin, 1/2" x 2-3/4"
7	2900262	1	Hairpin Cotter
8	6045162	1	Water Manifold
9	3200002	1	Fitting, 3/8" M. Pipe to 3/4" M. Garden
10	2900009	4	Flat Washer, 1/4" SAE
11	2900392	2	Cap Screw, Hex Hd., 1/4-20 x 1-3/4"
12	3200019	2	Fitting, 1/4" NPSM Straight Pipe to 1/4" Hose Barb
13	6045107	2	Hose, 1/4" x 3/8" x 25"
14	3200039	4	Clamp, 3/8"
15	2900201	4	Rivet, 3/16" Dia.
16	2900083	2	Fender Washer, 1/4" x 1-1/4"
17	2900010	2	Lock Nut, 1/4-20 Nylon
18	6045174	1	Splash Flap (CC4144D)
19	6045172	2	Splash Flap Retaining Strip (Long)
20	2900071	8	Rivet, 3/16"
21	2900008	2	Cap Screw, Hex Hd., 1/4-20 x 1"
22	6045411	1	Blade Guard Support
23	6045266	1	Blade Guard Support Spacer
24	2901412	2	Machine Screw, IHWH #10-24 x 1/2"

## 36" Blade Guard Assembly #6045423



ITEM	PART NO.	QTY.	DESCRIPTION
1	6045428	1	36" Blade Guard Only
2	6041135	1	Hinge
3	2900006	4	Lock Washer, 3/8" Split
4	2900014	4	Flat Washer, 3/8" SAE
5	2900005	4	Cap Screw, Hex Hd., 3/8-16 x 1"
6	2900607	1	Clevis Pin, 1/2" x 2-3/4"
7	2900262	1	Hairpin Cotter
8	6045162	1	Water Manifold
9	3200002	1	Fitting, 3/4" M. Pipe to 3/4" M. Garden
10	2900009	4	Flat Washer, 1/4" SAE
11	2900392	2	Cap Screw, Hex Hd., 1/4-20 x 1-3/4"
12	3200019	2	Fitting, 1/4" NPSM Straight Pipe to 1/4" Hose Barb
13	3200039	4	Clamp, 3/8"
14	2900201	4	Rivet, 3/16" Dia.
15	2900008	2	Cap Screw, Hex Hd., 1/4-20 x 1"
16	2900083	2	Fender Washer, 1/4" x 1-1/4"
17	2900010	2	Lock Nut, 1/4-20 Nylon
18	6045174	1	Splash Flap (CC4144D)
19	6045172	2	Splash Flap Retaining Strip (Long)
20	2900071	8	Rivet, 3/16"
21	6045266	1	Blade Guard Support Spacer
22	2901412	2	Machine Screw, IHWH #10-24 x 1/2"
23	6045265	1	30" Blade Guard Support
24	6045319	2	Hose, 1/4" x 3/8" x 29"

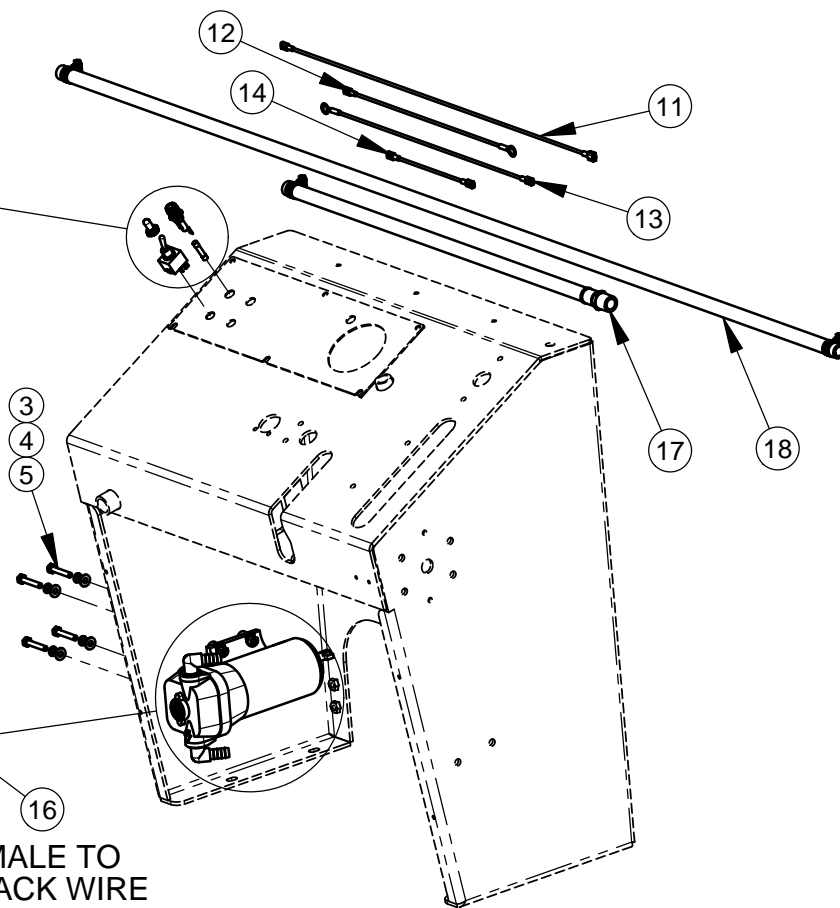
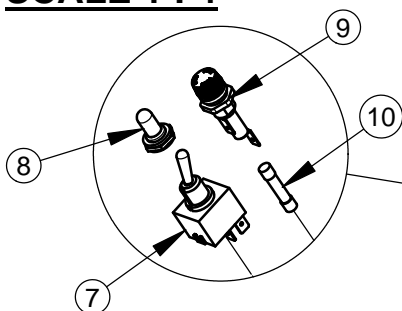
## 6011490 SPOTLIGHT OPTION



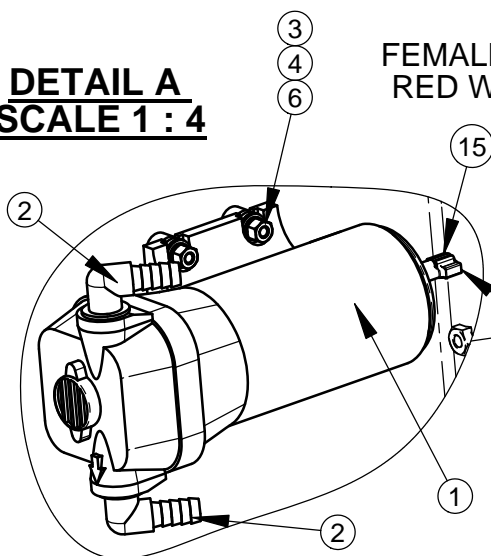
ITEM	PART NO.	QTY.	DESCRIPTION
1	6010107	1	Light Bar Mount Bracket
2	6010106	1	Light bar
3	6011719	1	Light, 12V Spot Assy.
4	2400157	2	Hand Lock Knob, 5/16-18 x 1"
5	2900009	4	Flat Washer, 1/4" SAE
6	2900008	2	Cap Screw, Hex Hd., 1/4-20 x 1"
7	2900024	2	Lock Washer, 1/4" Split
8	2900010	2	Lock Nut, 1/4-20 Nylon
9	2800062	1	Toggle Switch On/Off
10	2800063	1	Switch Boot
11	2800481	1	Fuse Holder
12	2800794	1	Fuse, 5 Amp
13	6010899	1	Wire Assy., 18 Ga., Red
14	6010999	1	Wire Assy. Red, 14 Gage
15	6011342	1	Wire Assy. Red, 14 Gage

## 6011348 WATER PUMP OPTION

### DETAIL B SCALE 1 : 4



### DETAIL A SCALE 1 : 4



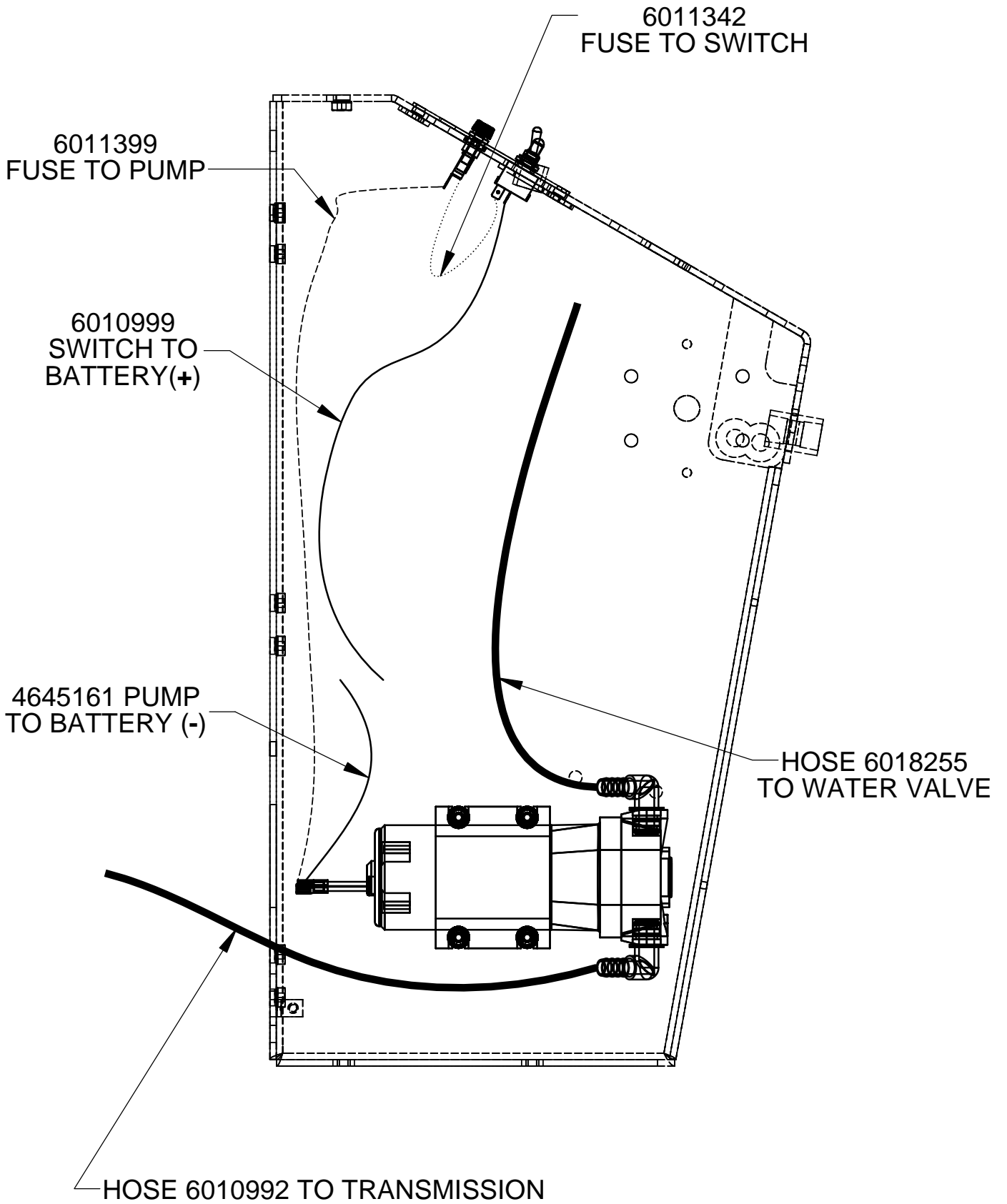
FEMALE TO  
RED WIRE

MALE TO  
BLACK WIRE

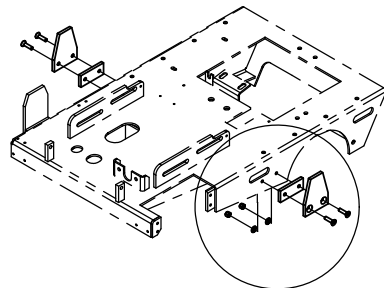
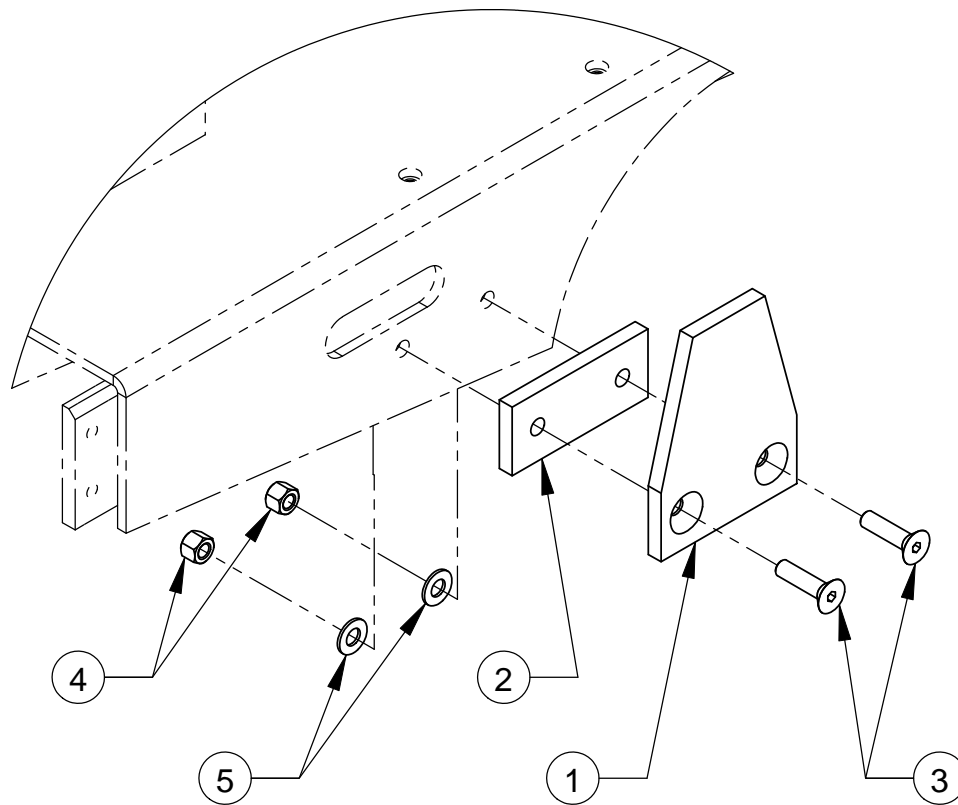
ITEM	PART NO.	QTY.	DESCRIPTION
1	2600200	1	Water Pump, 12V Diaphragm
2	2701694	2	Port Fitting, 1/2" Barb x 90 Degree
3	2900009	8	Flat Washer, 1/4" SAE
4	2900024	8	Lock Washer, 1/4" Split
5	2900048	4	Cap Screw, Hex Hd., 1/4-20 x 1-1/2"
6	2900010	4	Lock Nut, 1/4-20 Nylon
7	2800062	1	Toggle Switch On/Off
8	2800063	1	Switch Boot
9	2800481	1	Fuse Holder
10	2800806	1	Fuse, 10 Amp
11	6011399	1	Wire Assy. Red, 14 Gage
12	4645161	1	Wire Assy., 14 Ga., Grn
13	6010999	1	Wire Assy. Red, 14 Gage
14	6011342	1	Wire Assy. Red, 14 Gage
15	2800074	1	QD Terminal, 1/4" Female (16-14 AWG) Blue
16	2800484	1	QD Terminal, 1/4" Male (16-14 AWG) Blue
17	6018255	1	Water Hose, 1/2 x 27"
18	6010992	1	Water Hose, 1/2 x 65"



# 6011348 WATER PUMP OPTION



## Second Blade Guard Mount (Optional) #6045436



ITEM	PART NO.	QTY.	DESCRIPTION
1	6045431	2	Blade Guard Mount Tab
2	6045429	2	Blade Guard Spacer
3	2900428	4	Cap Screw, Flat Hd., 3/8-16 x 1-1/2"
4	2900018	4	Lock Nut, 3/8-16 Nylon
5	2900014	4	Flat Washer, 3/8" SAE



## EQUIPMENT AND PARTS WARRANTY

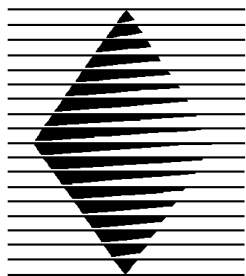
Diamond Products warrants all equipment manufactured by it against defects in workmanship or materials for a period of one (1) year from the date of shipment to Customer.

The responsibility of Diamond Products under this Warranty is limited to replacement or repair of defective parts at Diamond Products' Elyria, Ohio factory, or at a point designated by it, of such parts as shall appear to us upon inspection at such parts, to have been defective in material or workmanship, with expense for transportation and labor borne by Customer.

In no event shall Diamond Products be liable for consequential or incidental damages arising out of the failure of any Product to operate properly.

Integral units such as engines, electric motors, batteries, transmissions, etc., are excluded from this Warranty and are subject to the prime manufacturer's warranty.

**THIS WARRANTY IS IN LIEU OF ALL OTHER WARRANTIES, EXPRESSED OR IMPLIED, AND ALL SUCH OTHER WARRANTIES ARE HEREBY DISCLAIMED.**



# DIAMOND PRODUCTS

333 Prospect Street, Elyria, Ohio 44035  
(440) 323-4616 • (800) 321-5336 • Fax (440) 323-8689  
[www.diamondproducts.com](http://www.diamondproducts.com)