

DIAMOND
P R O D U C T S

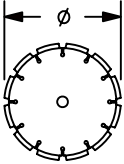
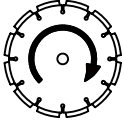
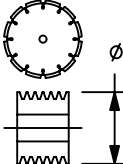
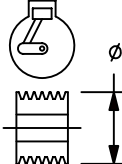

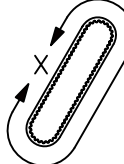
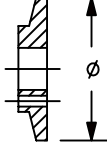
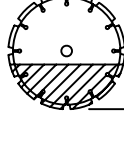
CONCRETE SAW
PARTS LIST

MODEL
CC4144D 3-Speed

October 2010

Part #1801696

CC4144D RPM CHART

BLADE SIZE	BLADE RPM	BLADESHAFT SHEAVE	ENGINE SHEAVE	ENGINE RPM	BELT SIZE	FLANGE SIZE	MAX CUT DEPTH
14"	2,600	4.75"	4.12"	3,000	3VX450	5"	4-3/8"
20"	2,525	4.75"	4.12"	2,900	3VX450	5"	7-3/8"
26"	2,100	5.60"	4.12"	2,850	3VX464	6"	9-7/8"
30"	1,800	5.60"	4.12"	2,450	3VX464	6"	11-7/8"
							

⚠ WARNING ⚠

**The engine exhaust from this product
Contains chemicals known to the
State of California to cause cancer,
birth defects or other reproductive harm.**



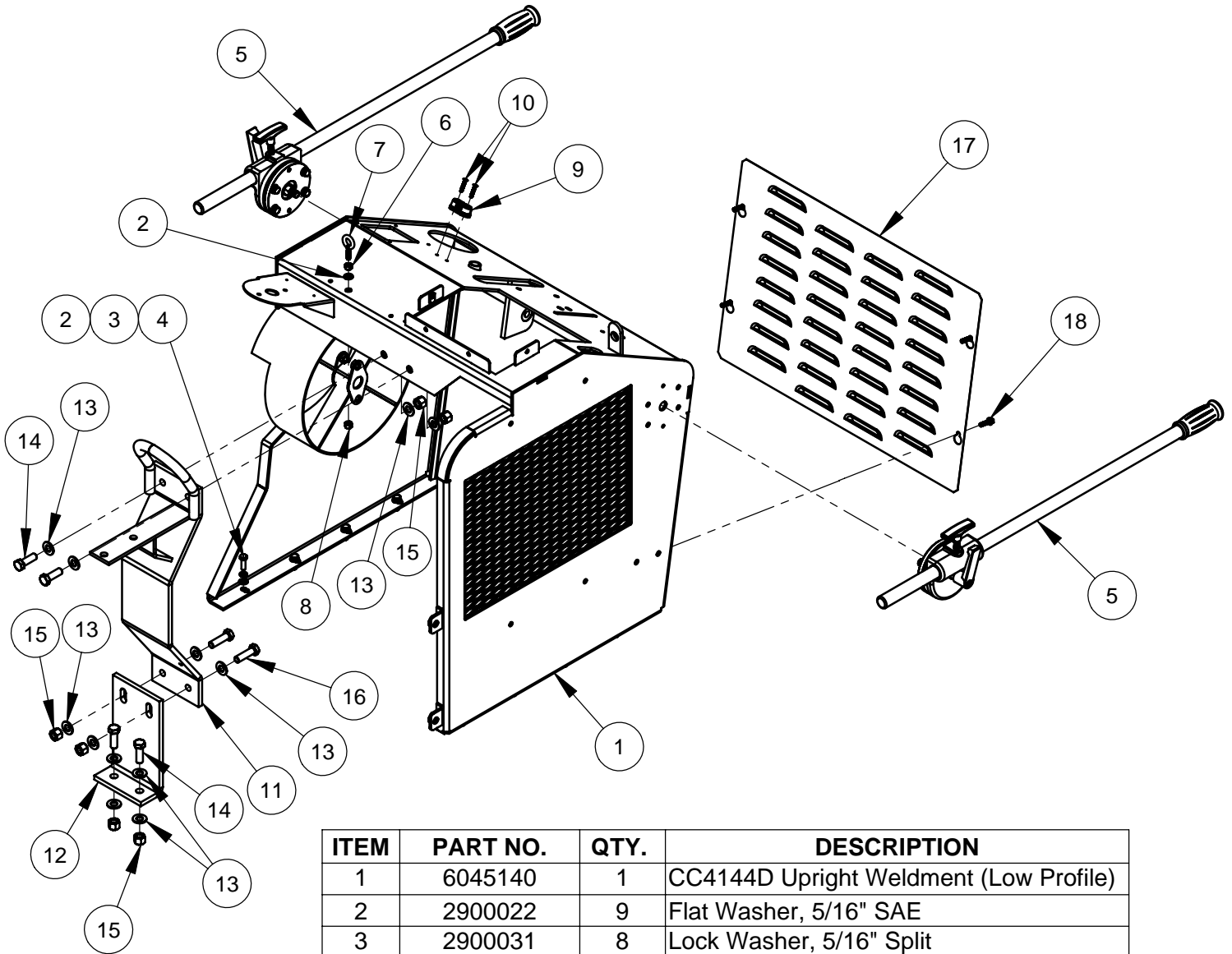
Table of Contents

Quick Reference Service Filters / Belts ..	4	PTO Lubrication (Post 2009 Style).....	29
Frame Upright Assembly (Low Profile)...	5	Engine Assembly	30
Handle Assembly	6	Belt Drive Assembly	32
Instrument and Controls (Low Profile)....	7	Differential Jackshaft Assembly	33
Control Panel Configuration	8	Radiator Assembly	34
Speed Control Assembly	9	Cooling Fan Assembly	35
Control Lever Assembly	10	Fan Idler Assembly.....	36
Control Grip Assembly	10	Throttle Cable Assembly	37
Quadco Speed Controller Set-up	11	Left Belt Guard Assembly.....	38
Fuel Tank Assembly.....	12	Right Belt Guard Assembly	39
Battery Assembly	13	14" Blade Guard Assembly	40
Power Unit Assembly	14	20" Blade Guard Assembly	41
Depth Indicator Assembly	15	26" Blade Guard Assembly	42
Depth Stop Assembly.....	16	30" Blade Guard Assembly	43
Water Supply Assembly	17	36" Blade Guard Assembly	44
Air Filter Assembly	18	Front Pointer Assembly.....	45
Frame Base Assembly	19	Pointer Stop Assembly	46
Front Axle Assembly	20	Electric Water Pump Kit	47
Positraction Engagement Assembly.....	21	Spotlight Kit.....	48
Traction Bar Assembly	22	Wiring Diagram	49
Horizontal Muffler Kit.....	23	Options Wiring Diagram	51
Differential Assembly.....	24	Decal Set.....	52
3-Speed Assembly	26	Notes.....	53
4.1" PTO Assembly (Post 2009 Style)....	28	Warranty.....	56

Service Filters / Belts

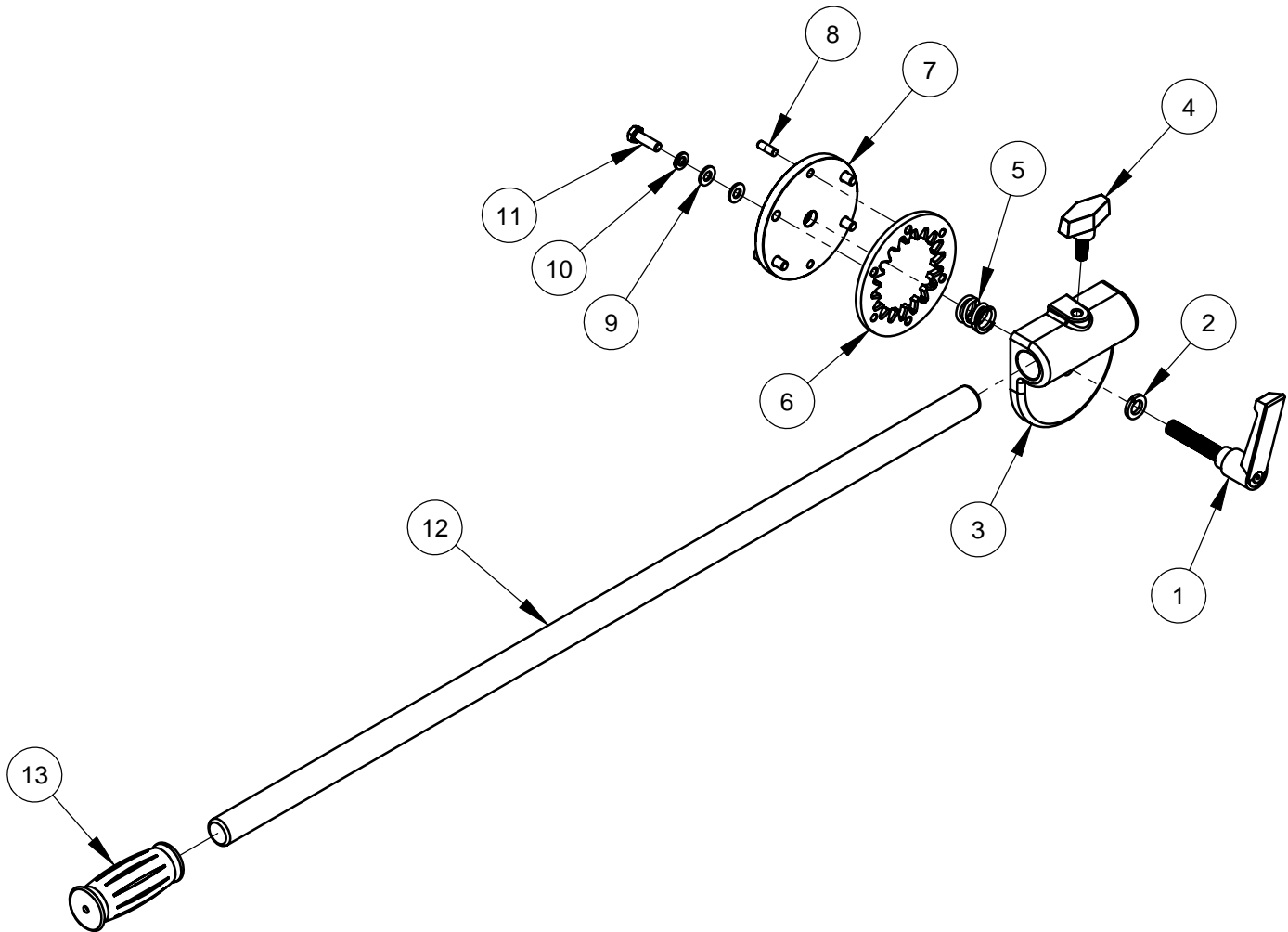
DP Part No.	Description	Manufacturer's Part No.
2705012	Engine Oil Filter	(Kubota 16271-32090)
2705002	Water Separator/Fuel Filter	(Stanadyne 33642)
2705157	Filter Element for Water Separator/Fuel Filter	(Stanadyne 31873)
2501785	In-Line Fuel Tank Filter, Diesel	(WIX 33007)
2504602	Outer Primary Air Filter	(Enginaire 2-E1)
2504603	Inner Safety Air Filter	(Enginaire 2-E2)
2500037	Engine to 3-Speed Belt	(Gates 3VX375)
2500380	Differential Jack Shaft Drive Belt	(Gates 3VX300)
2501781	Transmission Drive Belt	(Gates AX42)
2503186	Cooling Fan Belt	(Gates 4L550)
2505080	Alternator Belt	(Bando 9.5x940)

Frame Upright Assembly, Low Profile #6045144



ITEM	PART NO.	QTY.	DESCRIPTION
1	6045140	1	CC4144D Upright Weldment (Low Profile)
2	2900022	9	Flat Washer, 5/16" SAE
3	2900031	8	Lock Washer, 5/16" Split
4	2900138	8	Cap Screw, Hex Hd., 5/16-18 x 1"
5	6011333	2	Handle Assembly
6	2900141	1	Hex Nut, 5/16-18
7	2900720	1	Eyebolt, 5/16-18 x 1"
8	2900039	1	Lock Nut, 5/16-18 Nylon
9	2501427	1	Cable Cleat
10	2900483	2	Tap Screw, Flat Hd., #10-24 x 1"
11	6045141	1	Frame Base Stiffener Weldment
12	6045064	1	Frame Base Stiffener Bracket
13	2900058	12	Flat Washer, 1/2" SAE
14	2900499	4	Cap Screw, Hex Hd., 1/2-13 x 1-1/2"
15	2900026	6	Lock Nut, 1/2-13 Nylon
16	2900139	2	Cap Screw, Hex Hd., 1/2-13 x 1-3/4"
17	6045094	1	Rear Cover Screen
18	2900820	4	Cap Screw, Flange Hd., 1/4"-20 x 1"

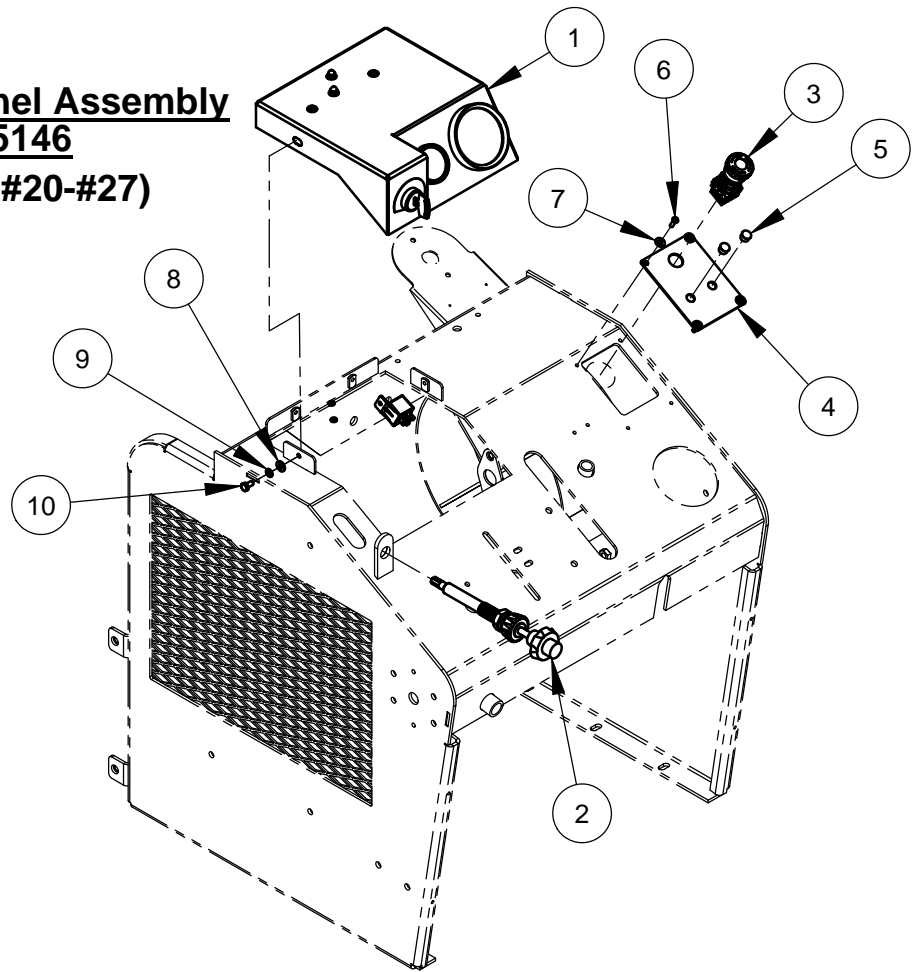
Handle Assembly #6011333



ITEM	PART NO.	QTY	DESCRIPTION
1	2503903	1	Lever, Adjustable /w Stud
2	2900084	1	Lock Washer, 1/2" Split
3	6011375	1	Handle Bracket Assembly
4	2503942	1	T Handle Locking Knob /w 3/8-16 Stud
5	2503943	1	Compression Spring, .960 x 1.00
6	6011372	1	Int Spur Gear, 6DP, 18T, 20PA
7	6011334	1	Handle Bracket Backing Plate Asm
8	2900207	2	Dowel Pin, 1/4" Dia. x 3/4"
9	2900022	8	Flat Washer, 5/16" SAE
10	2900031	4	Lock Washer, 5/16" Split
11	2900138	4	Cap Screw, Hex Hd., 5/16-18 x 1"
12	6010014	1	Handle Bar, 36" Long
13	2500636	1	Handle Grip

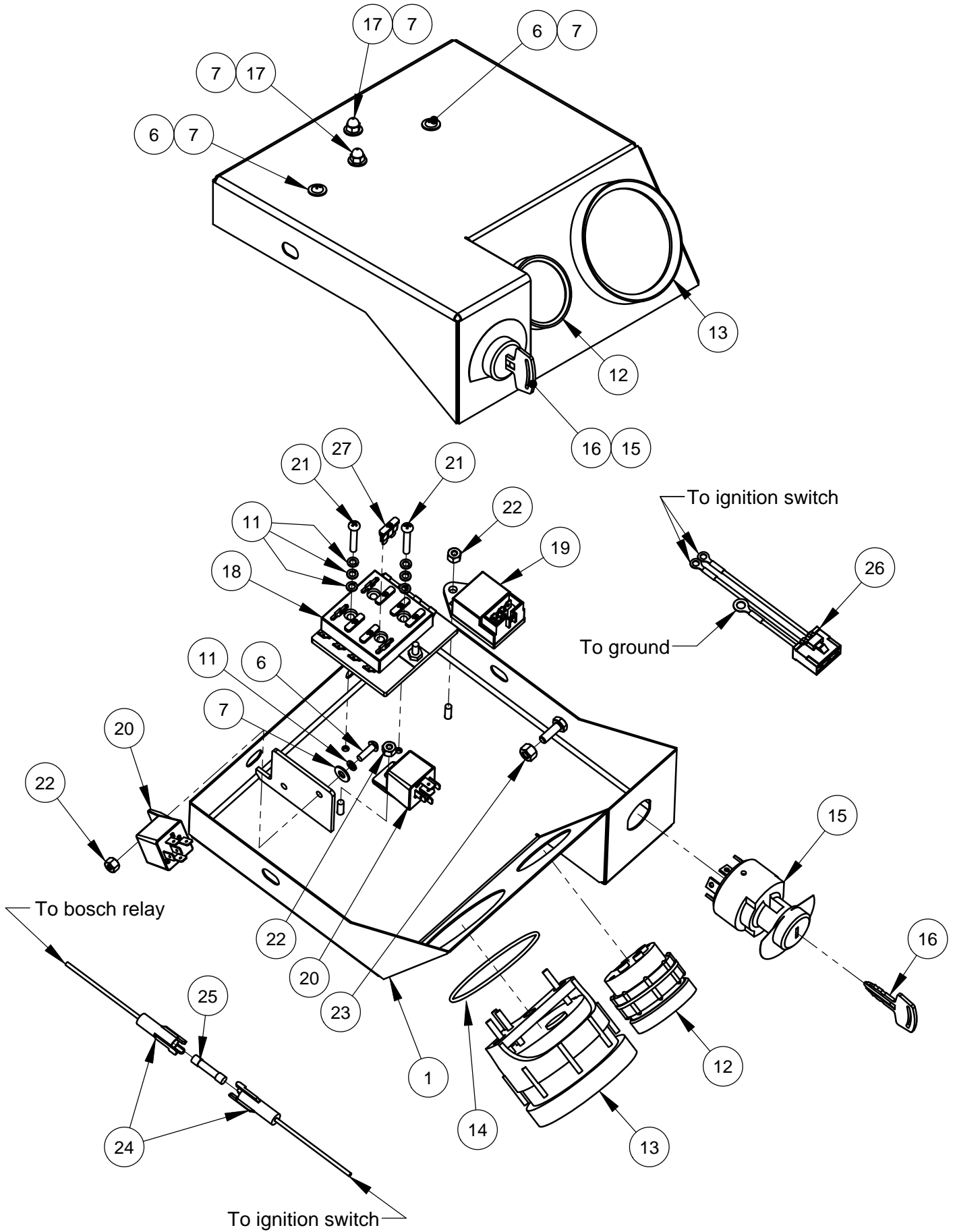
Instruments & Control Panel Assembly
Low Profile #6045146

(Includes #1, #3-#18, #20-#27)

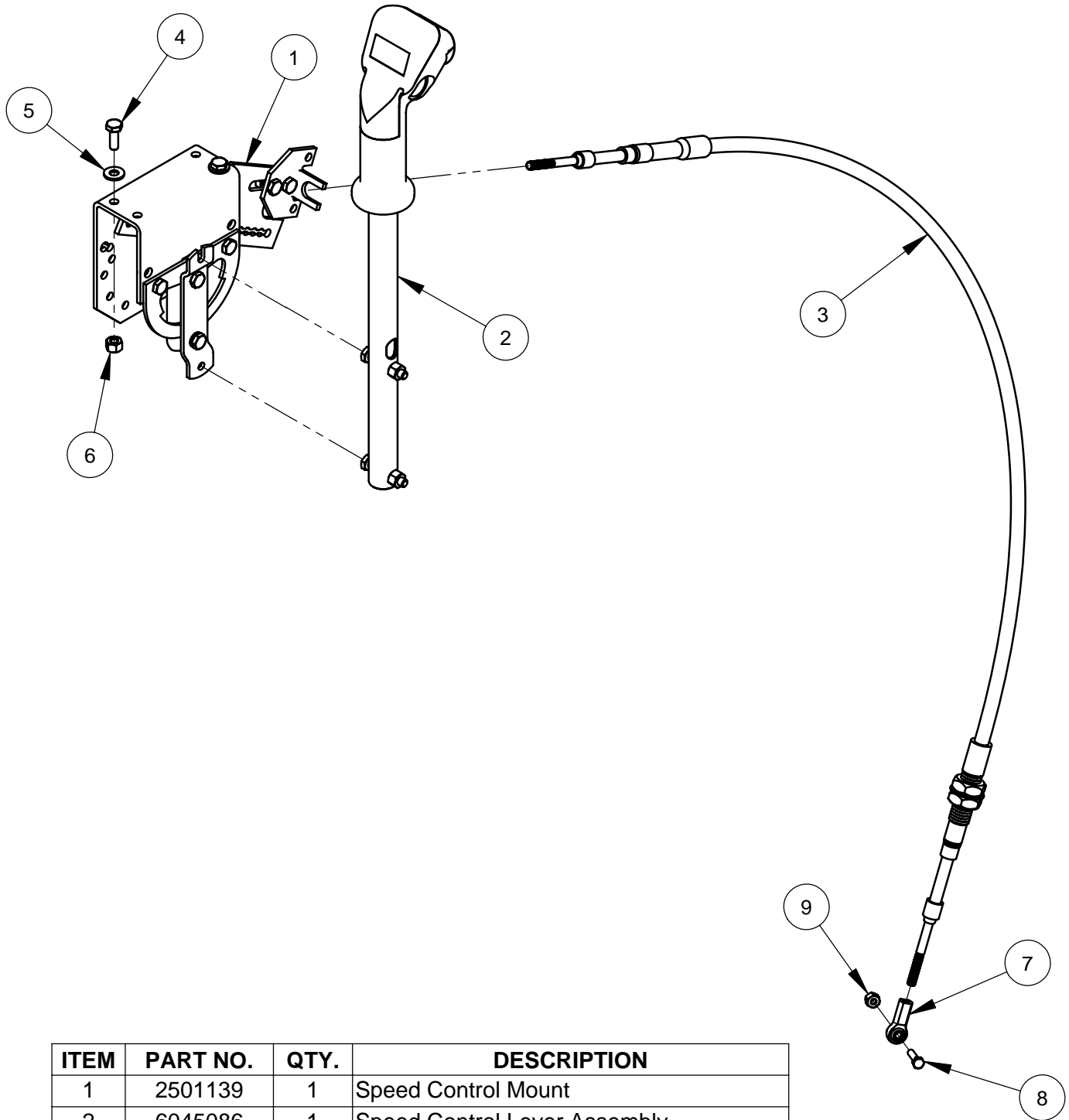


ITEM	PART NO.	QTY.	DESCRIPTION
1	6045134	1	Gage Panel Weldment
2	2503183	1	Vernier Throttle Cable
3	2801367	1	E-Stop Switch
4	6045171	1	Switch Plate
5	2500204	2	Plug, 1/2" Hole
6	2900159	7	Machine Screw, Rd. Hd., #10-24 x 5/8"
7	2900016	9	Flat Washer, #10 USS
8	2900009	4	Flat Washer, 1/4" SAE
9	2900024	4	Lock Washer, 1/4" Split
10	2900082	4	Cap Screw, Hex Hd., 1/4-20 x 1/2"
11	2900038	7	Lock Washer, #10 Split
12	2705003	1	Cluster Gauge, 4 Warning Light
13	6010421	1	Tachometer/ Hour Meter
14	2400628	1	O-Ring #152
15	2705001	1	Ignition Switch 4144D
16	2705000	1	Ignition Keys Only (Pair)
17	2900840	2	Acorn Nut, #10-24
18	2800696	1	Fuse Panel, 8 Circuit
19	2705006	1	Timer, 12V DC
20	2800144	2	Relay, 50 Amp, 12V, SPDT
21	2900172	2	Machine Screw, Rd. Hd., #10-24 x 1-1/4"
22	2900017	3	Lock Nut, #10-24 Nylon
23	2900010	1	Lock Nut, 1/4-20 Nylon
24	2800856	1	In-Line Fuse Holder
25	2800857	1	Fuse, 15 Amp
26	2800855	1	Wire Harness, Timer Relay
27	6045245	1	Control Panel Wiring Assembly (Not Shown)
28	2800389	6	Fuse, 10 Amp Red ATO/ATC

Control Panel Configuration



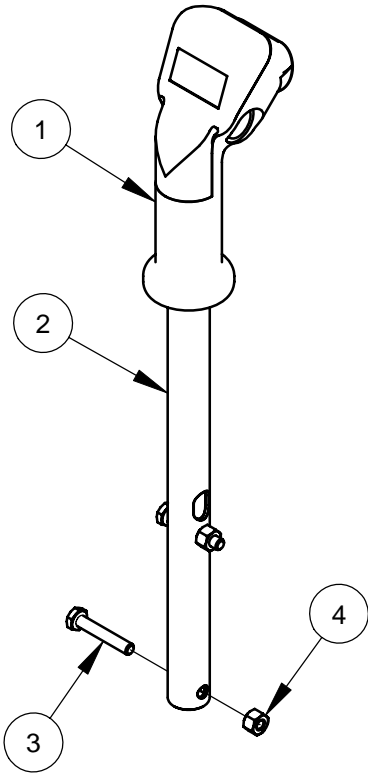
Speed Control Assembly #6045038



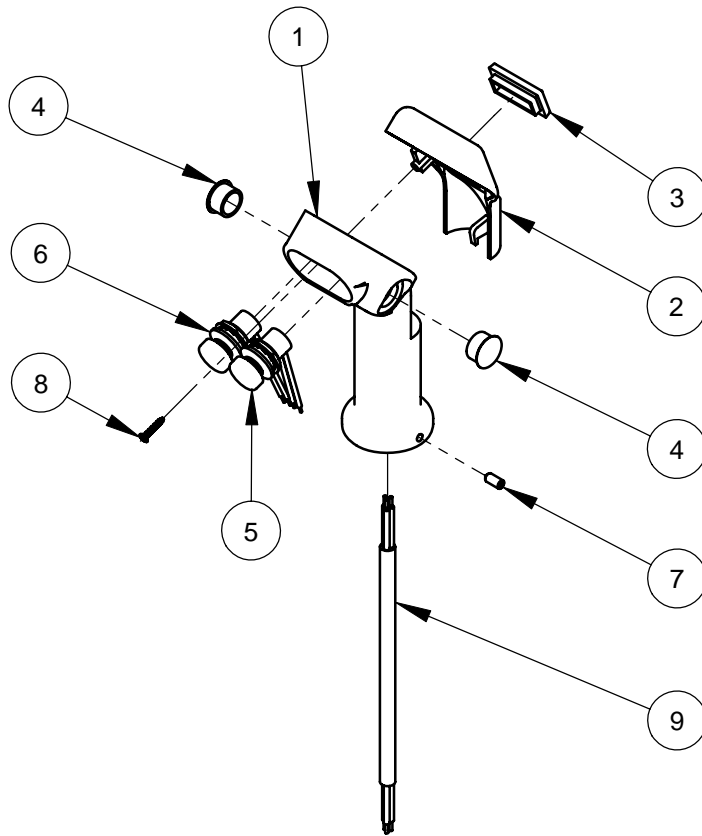
ITEM	PART NO.	QTY.	DESCRIPTION
1	2501139	1	Speed Control Mount
2	6045086	1	Speed Control Lever Assembly
3	2503904	1	Control Cable, 56"
4	2900144	2	Cap Screw, Hex Hd., 1/4-20 x 3/4"
5	2900009	2	Flat Washer, 1/4" SAE
6	2900010	2	Lock Nut, 1/4-20 Nylon
7	2500791	1	Rod End, #10-32 Female
8	2900015	1	Machine Screw, Hex Hd., #10-24 x 3/4"
9	2900017	1	Lock Nut, #10-24 Nylon

Control Lever Assembly #6045086

ITEM	PART NO.	QTY.	DESCRIPTION
1	6010319	1	Control Grip Assembly
2	6045085	1	Straight Speed Control Lever
3	2900048	2	Cap Screw, Hex Hd., 1/4-20 x 1-1/2"
4	2900010	2	Lock Nut, 1/4-20 Nylon

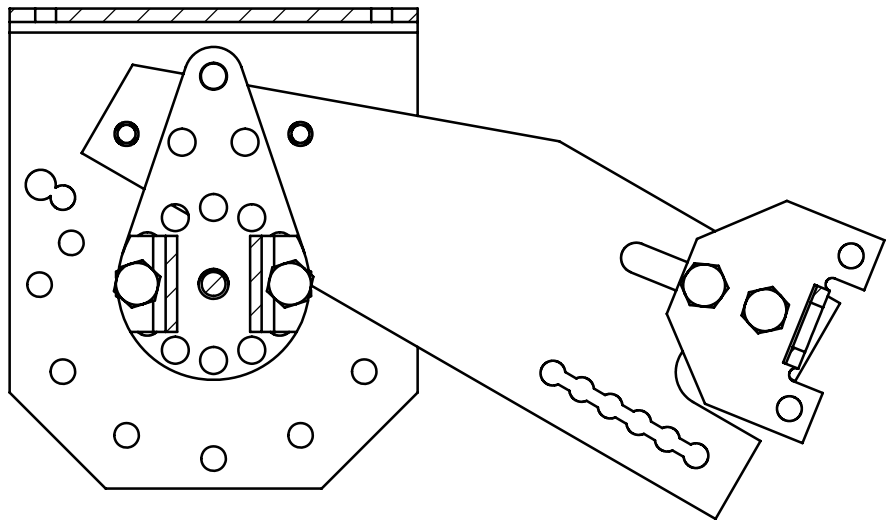
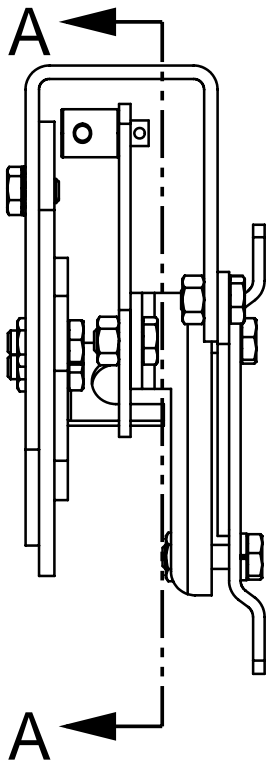
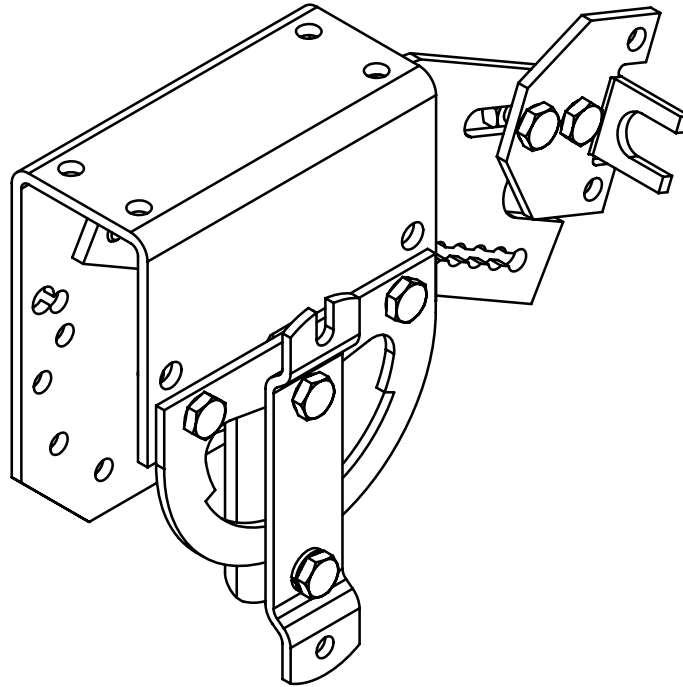


Control Grip Assembly #6010319



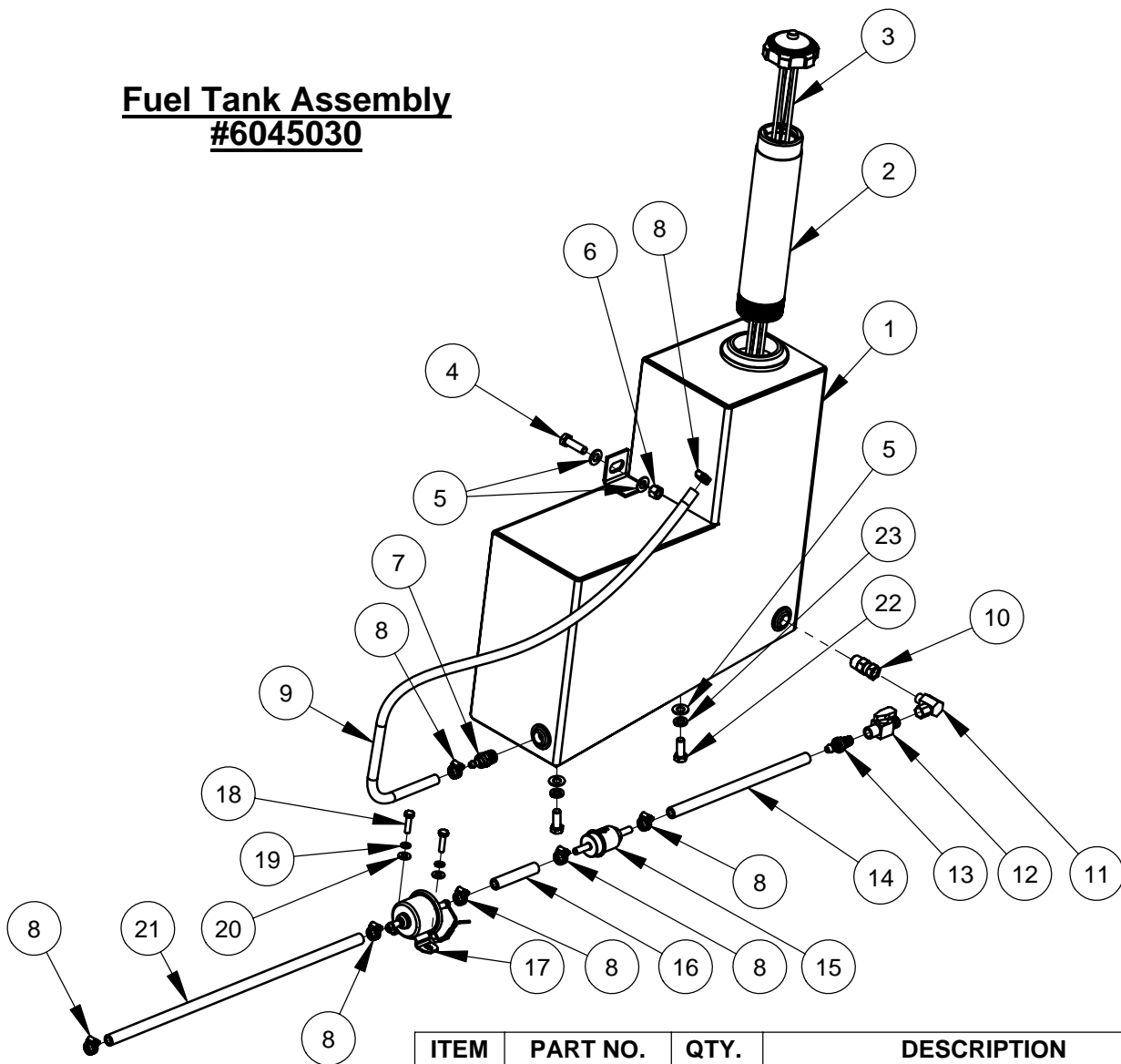
ITEM	PART NO.	QTY.	DESCRIPTION
1	2501280	1	Control Grip Body
2	2501281	1	Control Grip Cover
3	2500644	1	Plug, Rectangular
4	2500694	2	Plug, 5/8" Hole
5	2800372	1	Pushbutton Switch, Raise
6	2800373	1	Pushbutton Switch, Lower
7	2900453	1	Set Screw, Soc. Hd., M5 x 12mm
8	2900452	1	Machine Screw, Oval Hd., #4 x 5/8"
9	2800393	1	Harness, Hydraulic Pump

Quadco Speed Controller Setup



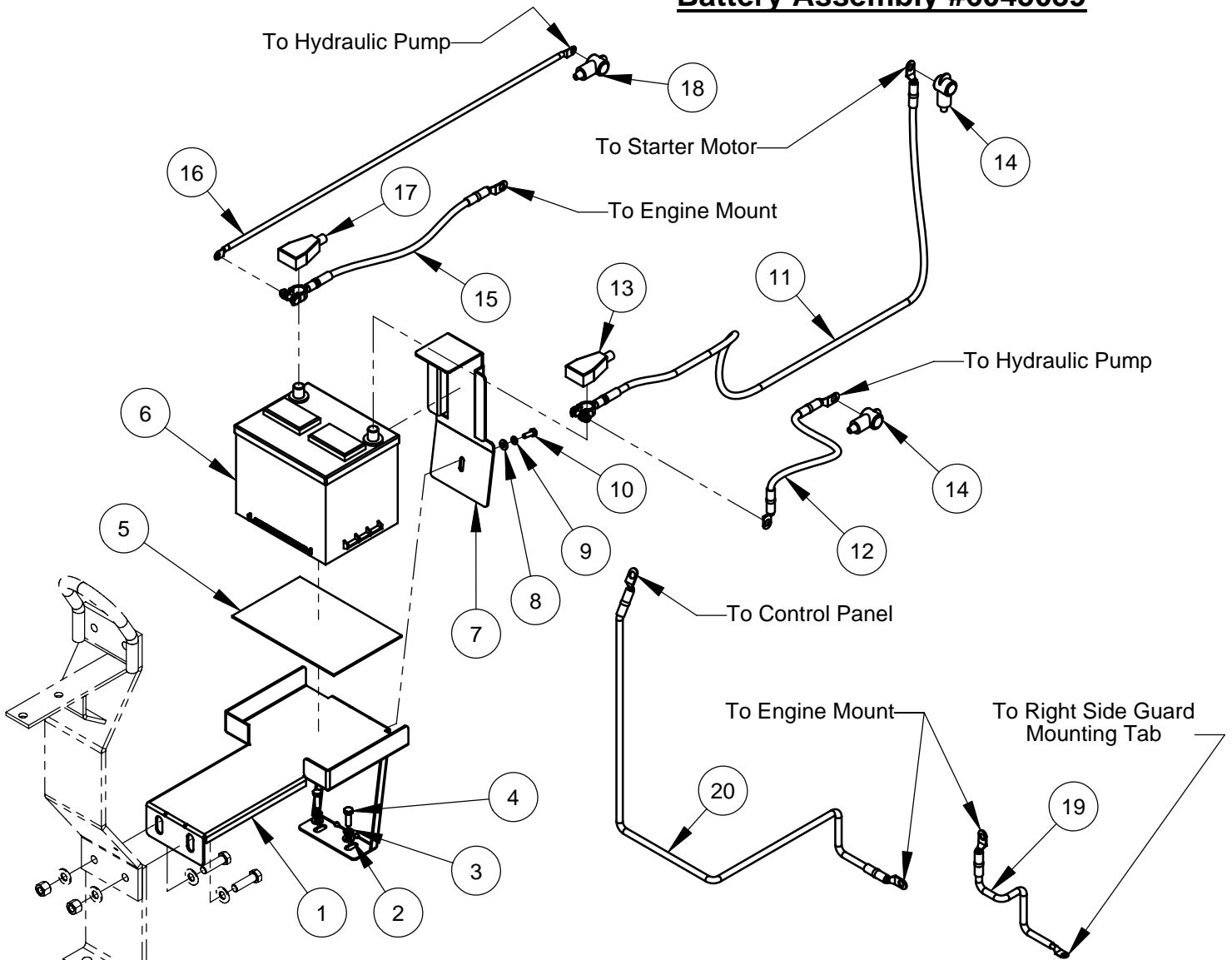
SECTION A-A
SCALE 1 : 2

Fuel Tank Assembly
#6045030



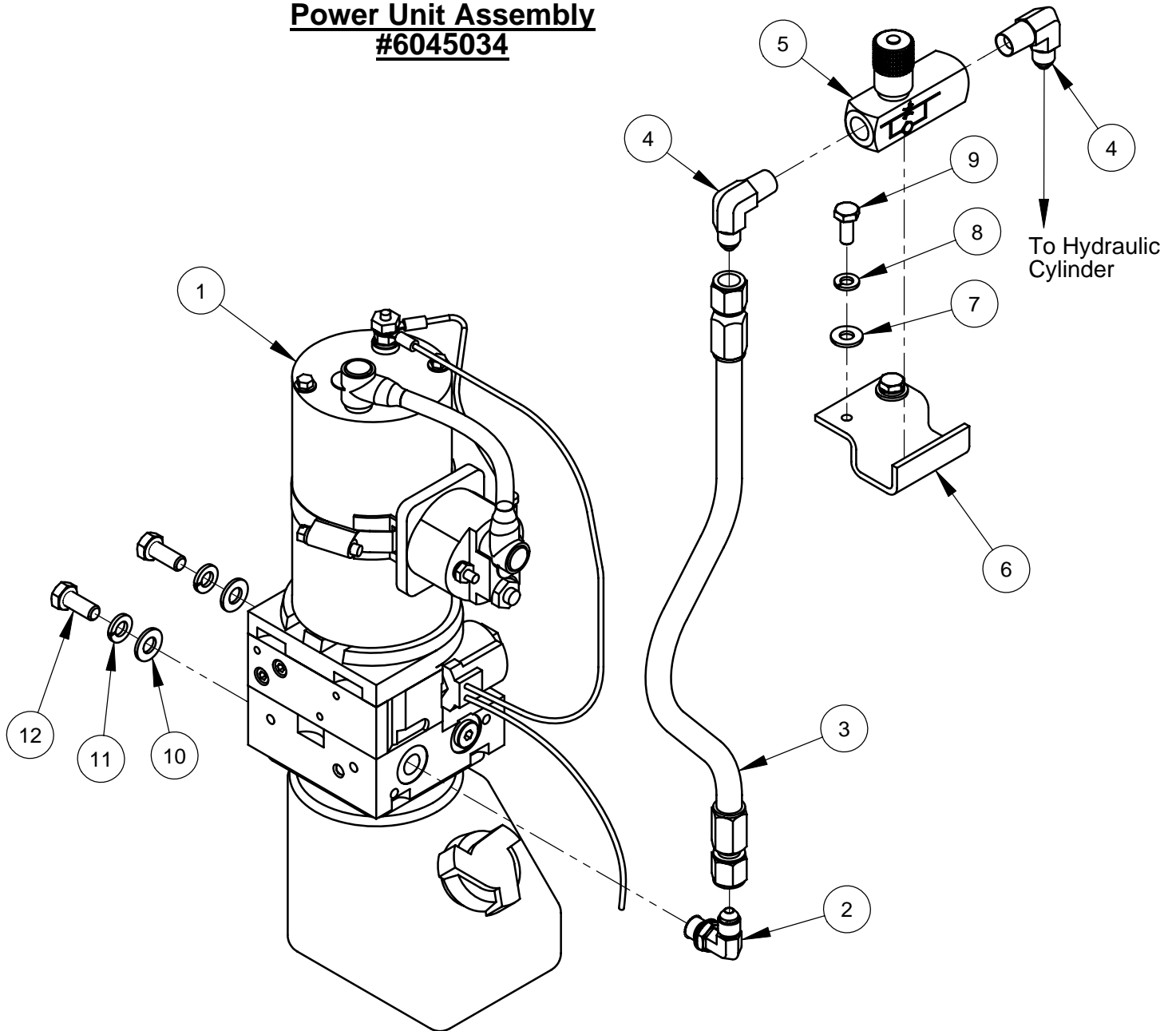
ITEM	PART NO.	QTY.	DESCRIPTION
1	6045066	1	Fuel Tank
2	6045132	1	Fuel Filler Neck Assembly
3	2503933	1	Fuel Tank Cap, 23"
4	2900013	1	Cap Screw, Hex Hd., 3/8-16 x 1-1/4"
5	2900014	4	Flat Washer, 3/8" SAE
6	2900018	1	Lock Nut, 3/8-16 Nylon
7	3200070	1	Fitting, 3/8" MPT to 1/4" Pushlok
8	3200062	7	Hose Clamp #4
9	6010103	1	Fuel Return Hose, 1/4" I.D. x 32"
10	3200058	1	Adapter, 3/8" MPT to 1/4" FPT
11	3200059	1	Elbow, 1/4" Male to 1/4" Female Pipe
12	3200108	1	Fuel Shut-Off Valve, 1/4"
13	3200202	1	Fitting, 1/4" M. Pipe to 5/16" Pushlock
14	6010452	1	Fuel Line Hose, 5/6" ID x 10"
15	2501785	1	Filter, Diesel Fuel
16	6010456	1	Fuel Line Hose, 5/6" ID x 3"
17	2705005	1	Electric Fuel Pump
18	2900008	2	Cap Screw, Hex Hd., 1/4-20 x 1"
19	2900024	2	Lock Washer, 1/4" Split
20	2900009	2	Flat Washer, 1/4" SAE
21	6010457	1	Fuel Line Hose, 5/6" ID x 18-1/2"
22	2900005	2	Cap Screw, Hex Hd., 3/8-16 x 1"
23	2900006	2	Lock Washer, 3/8" Split

Battery Assembly #6045039



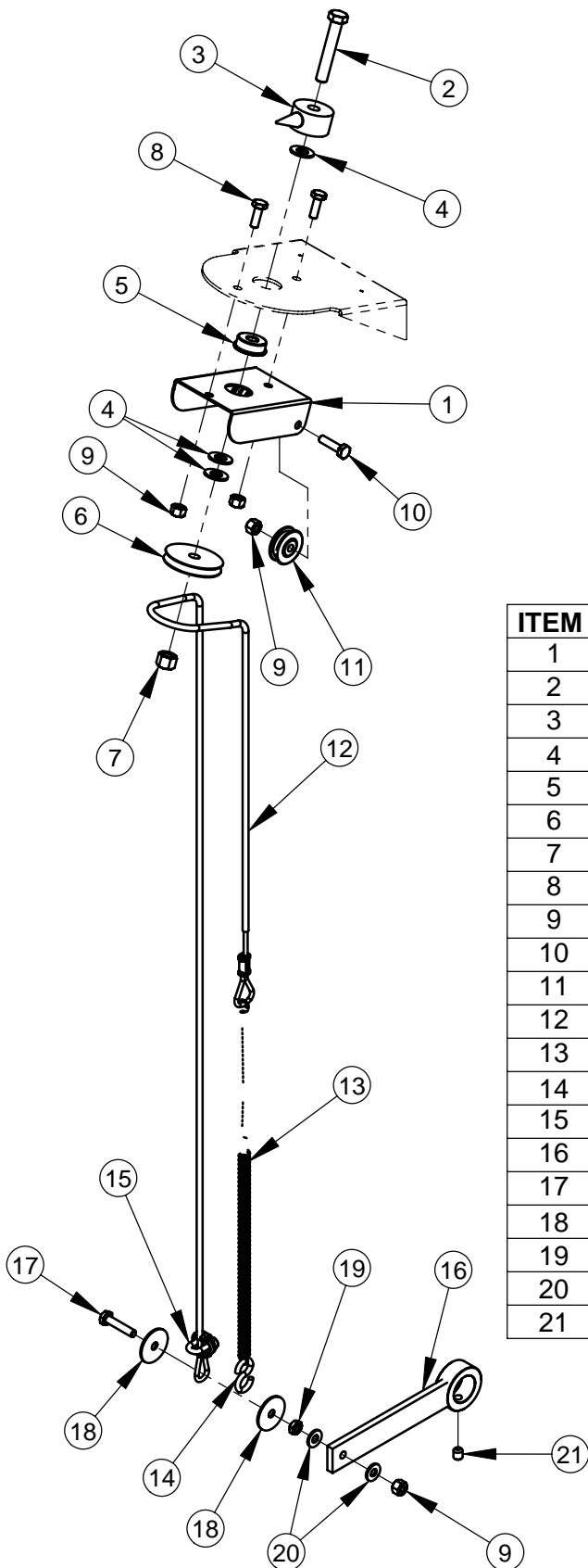
ITEM	PART NO.	QTY.	DESCRIPTION
1	6045099	1	Battery Mounting Tray
2	2900022	2	Flat Washer, 5/16" SAE
3	2900031	2	Lock Washer, 5/16" Split
4	2900138	2	Cap Screw, Hex Hd., 5/16-18 x 1"
5	6010442	1	Battery Pad
6	2800561	1	Battery, 12 Volt Group Size 26
7	6045100	1	Battery Hold Down Bracket
8	2900009	1	Flat Washer, 1/4" SAE
9	2900024	1	Lock Washer, 1/4" Split
10	2900144	1	Cap Screw, Hex Hd., 1/4-20 x 3/4"
11	2800073	1	Battery Cable, Positive (Red)
12	2800095	1	Battery Cable, 14" Positive (Red)
13	2800256	1	Battery Boot, Large (Red)
14	2800197	2	Battery Boot, Small (Red)
15	2800072	1	Battery Cable, Negative (Black)
16	6048092	1	Battery Cable Assy., Black
17	2800257	1	Battery Boot, Large (Black)
18	2800198	1	Battery Boot, Small (Black)
19	2800853	1	Ground Cable, 4ga SAE J1127 x 18"
20	2800854	1	Ground Cable, 4ga SAE J1127 x 42"

Power Unit Assembly
#6045034



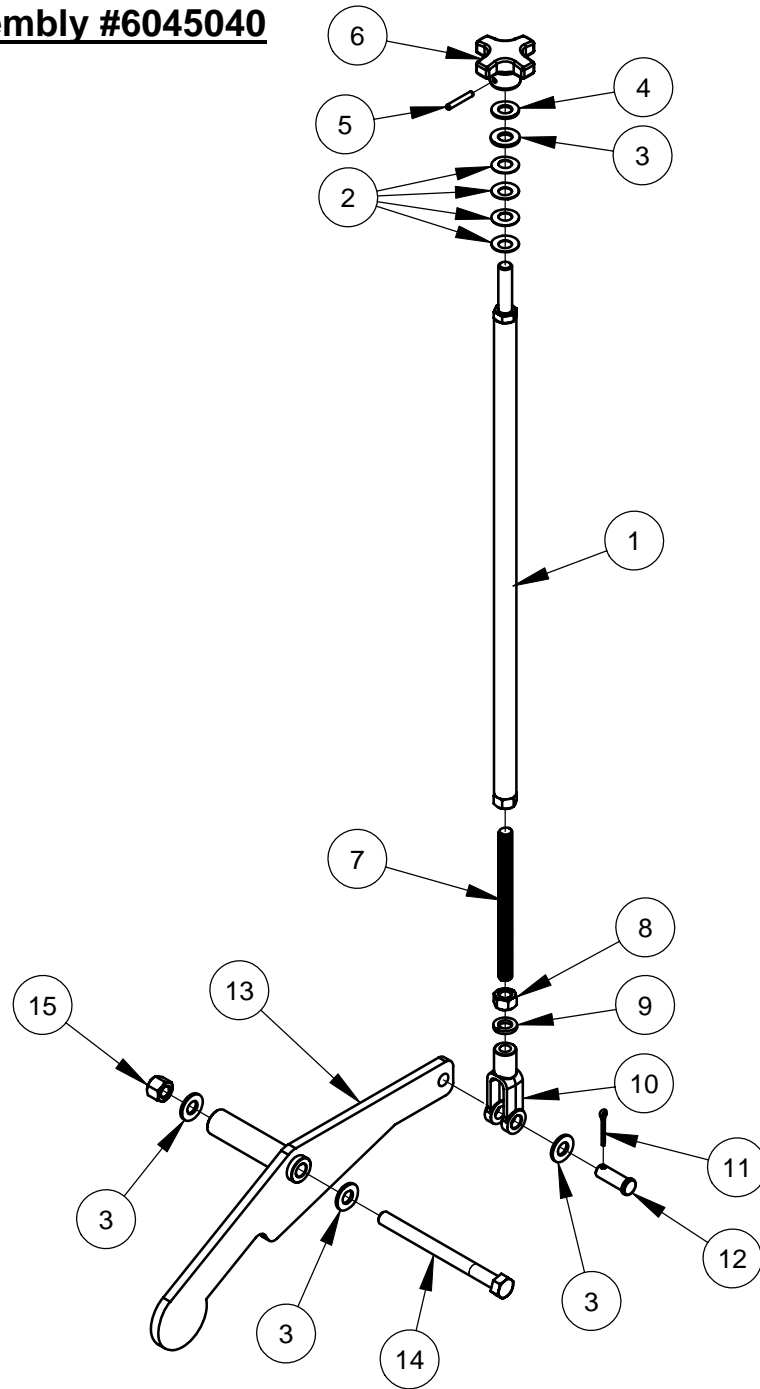
ITEM	PART NO.	QTY.	DESCRIPTION
1	2600540	1	Electro/Hydraulic Pump Unit
	2703228	1	Solenoid Switch 12VDC
	2703229	1	Mounting Strap
2	3200214	1	Elbow, 1/4" M. O-Ring to 1/4" M. JIC
3	3201719	1	Hydraulic Hose Assembly, 1/4" x 15-1/2"
4	3200057	2	Elbow, 1/4" M. Pipe to 1/4" M. JIC
5	3200056	1	Flow Control Valve, 1/4" NPT
6	6045062	1	Flow Control Mount
7	2900009	2	Flat Washer, 1/4" SAE
8	2900024	2	Lock Washer, 1/4" Split
9	2900023	2	Cap Screw, Hex Hd., 1/4-20 x 5/8"
10	2900022	2	Flat Washer, 5/16" SAE
11	2900031	2	Lock Washer, 5/16" Split
12	2900019	2	Cap Screw, Hex Hd., 5/16-18 x 3/4"

Depth Indicator Assembly #6045024



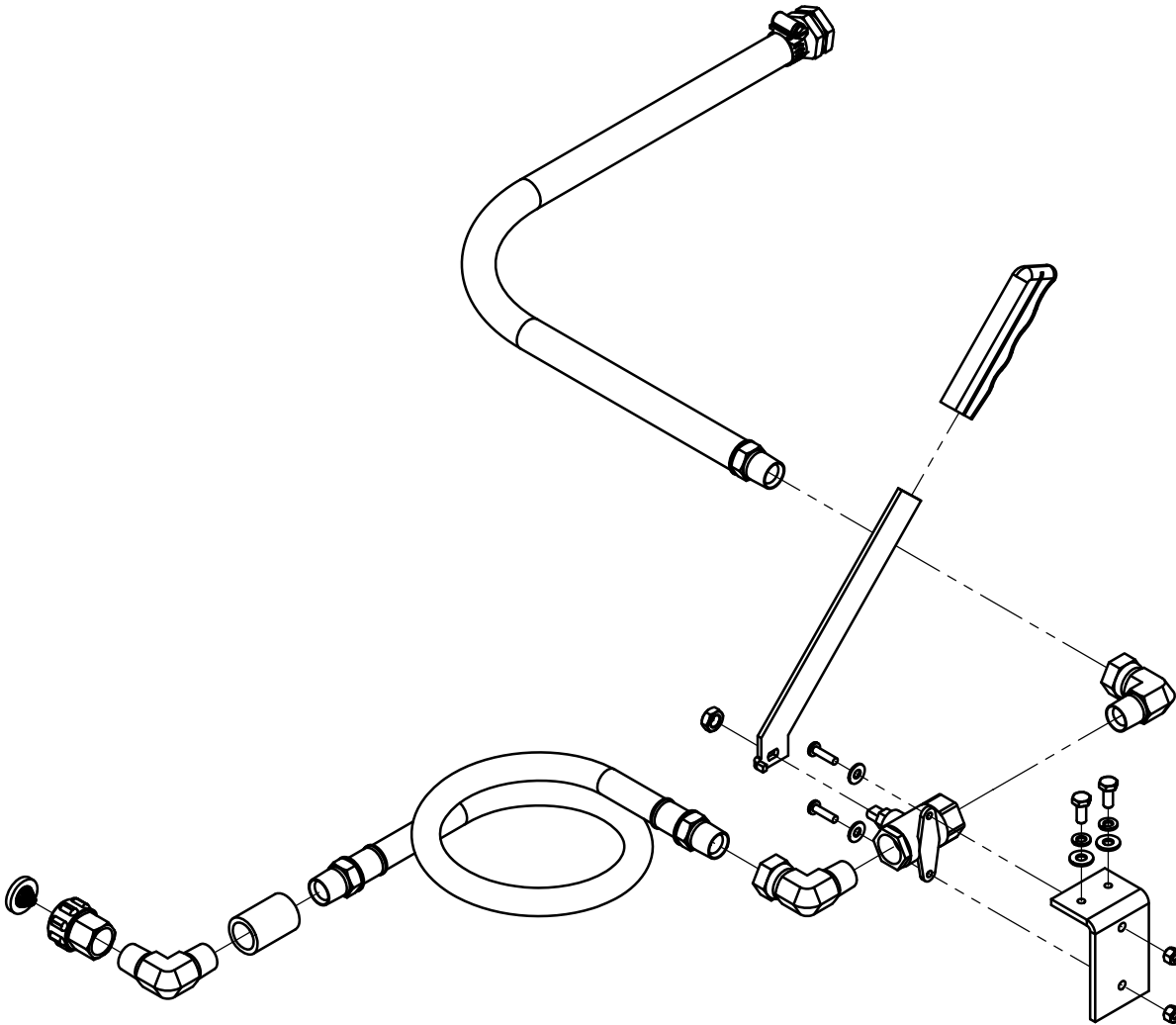
ITEM	PART NO.	QTY.	DESCRIPTION
1	6010092	1	Depth Indicator Mount Bracket
2	2900079	1	Cap Screw, Hex Hd., 3/8-16 x 2-1/4"
3	6010091	1	Depth Indicator Pointer
4	2900014	3	Flat Washer, 3/8" SAE
5	2500145	1	Flange Bearing, 3/8"
6	6010093	1	Cable Pulley, 2"
7	2900018	1	Lock Nut, 3/8-16 Nylon
8	2900144	2	Cap Screw, Hex Hd., 1/4-20 x 3/4"
9	2900010	5	Lock Nut, 1/4-20 Nylon
10	2900008	2	Cap Screw, Hex Hd., 1/4-20 x 1"
11	2500155	2	Cable Pulley, 1-1/4"
12	6011176	1	Depth Indicator Cable with Crimp, 52"
13	2500196	1	Spring, 3/8" x 15"
14	2501959	1	S-Hook, 60 Lb Load Rated
15	2500214	1	Cable Clamp
16	6045166	1	Depth Indicator Weldment
17	2900052	1	Cap Screw, Hex Hd., 1/4-20 x 1-1/4"
18	2900083	2	Fender Washer, 1/4" x 1-1/4"
19	2900358	1	Jam Nut, 1/4-20
20	2900009	2	Flat Washer, 1/4" SAE
21	2900142	1	Set Screw, Soc. Hd., 5/16-18 x 3/8"

Depth Stop Assembly #6045040



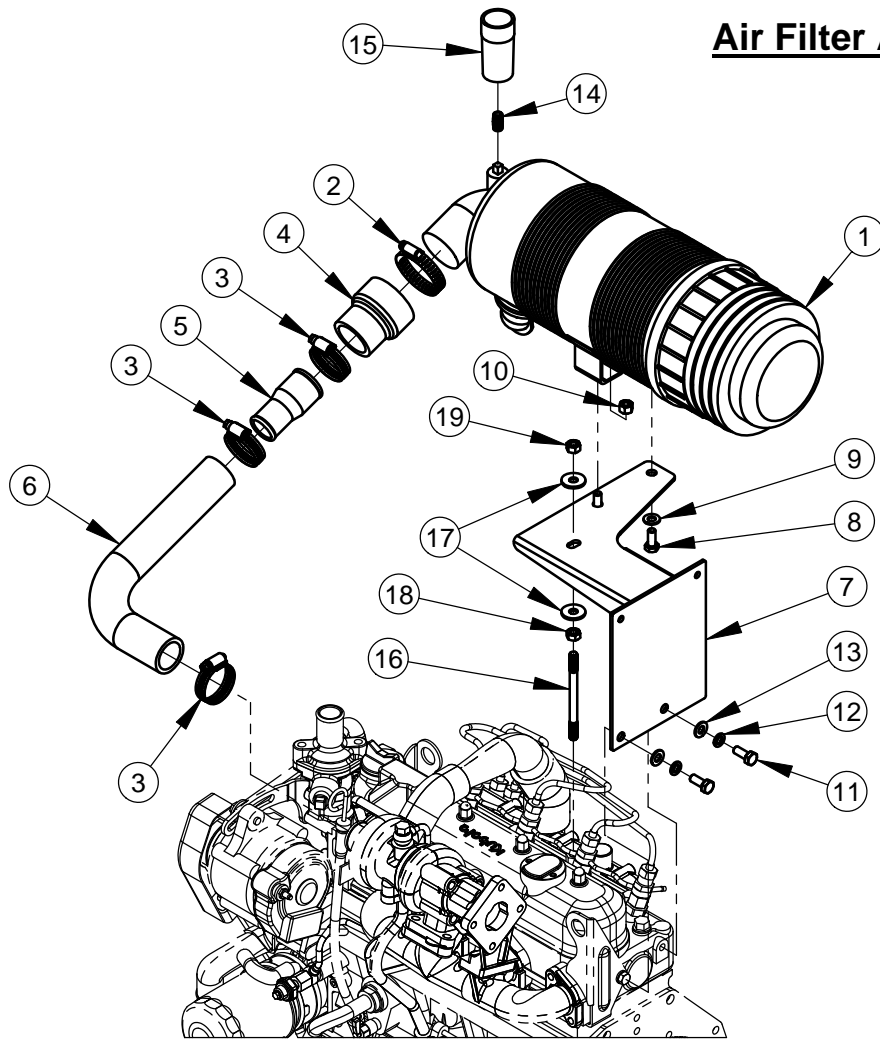
ITEM	PART NO.	QTY.	DESCRIPTION
1	6045083	1	Depth Stop Upper Assembly
2	2900665	4	Belleville Washer, 1/2"
3	2900058	4	Flat Washer, 1/2" SAE
4	2900239	1	Friction Washer, 1/2"
5	2900132	1	Roll Pin, 3/16 x 1-1/4"
6	6010095	1	Depth Stop Knob
7	6045084	1	1/2-13 x 6-1/12" Threaded Rod
8	2900037	1	Hex Nut, 1/2-13
9	2900084	1	Lock Washer, 1/2" Split
10	2900158	1	Yoke, 1/2-13
11	2900004	1	Cotter Pin, 1/8" x 1"
12	2900007	1	Clevis Pin, 1/2" Dia. x 1-3/8"
13	6045061	1	Depth Stop Pivot Arm
14	2901024	1	Capscrew, Hex Hd., 1/2-13 x 6"
15	2900026	1	Lock Nut, 1/2-13 Nylon

Water Supply Assembly #6045041



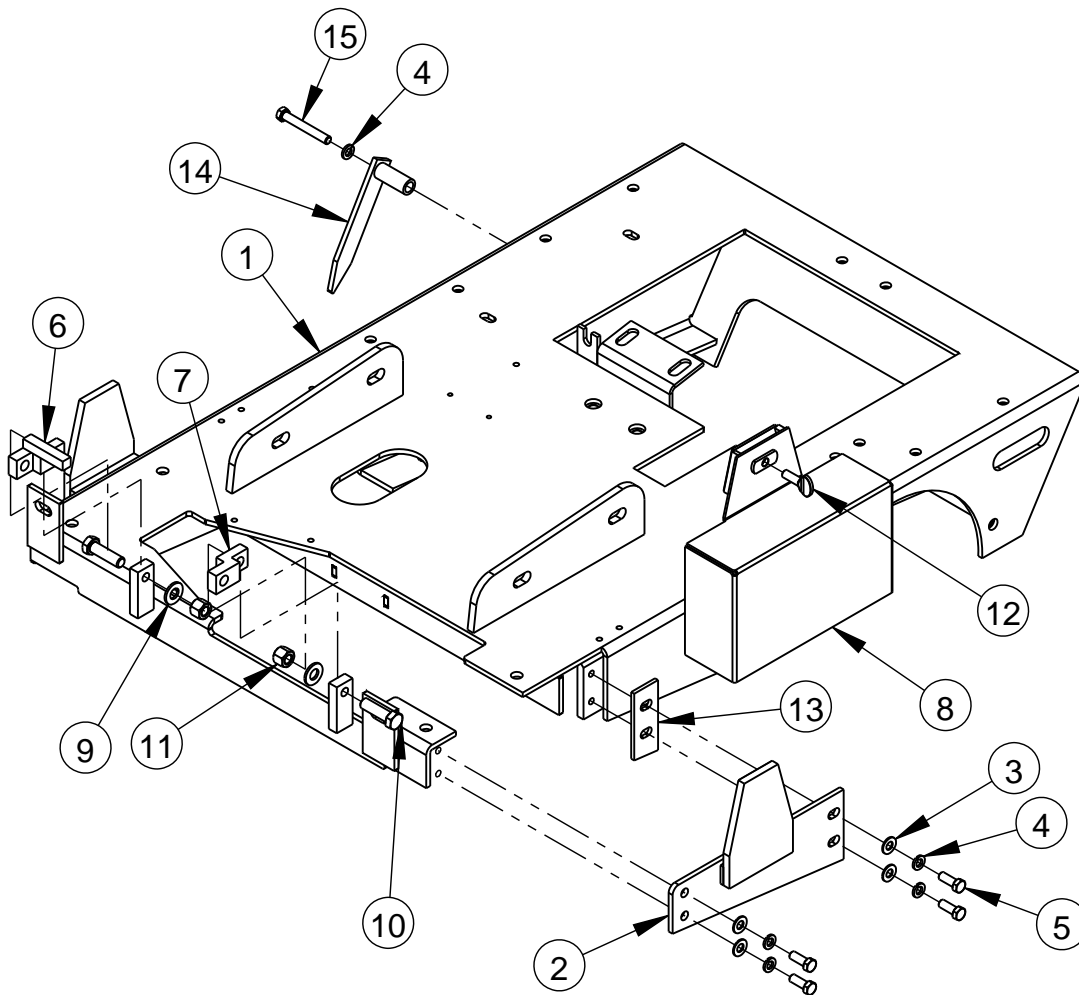
ITEM	PART NO.	QTY.	DESCRIPTION
1	3200558	1	Water Valve, 1/2" Panel Mount
2	6011257	1	Water Valve Mounting Bracket
3	2900689	2	Cap Screw, Pan Hd., #10-32 x 3/4"
4	2900016	2	Flat Washer, #10 USS
5	2900688	2	Lock Nut, #10-32 Nylon
6	2900023	2	Cap Screw, Hex Hd., 1/4-20 x 5/8"
7	2900024	2	Lock Washer, 1/4" Split
8	2900009	2	Flat Washer, 1/4" SAE
9	6011256	1	Water Valve Handle
10	2500002	1	Lever Grip
11	2900696	1	Jam Nut, 3/8-24
12	3200399	2	Elbow, 1/2" M. Pipe x 1/2" F. Pipe Swivel
13	6045112	1	Hose Assembly, 1/2" x 72"
14	6045111	1	Hose Assembly, 1/2" x 7"
15	3200166	1	Elbow, 1/2" Male Pipe
16	3200022	1	Fitting, 1/2" F. Pipe to 3/4" F. Garden
17	3200025	1	Hose Filter Washer

Air Filter Assembly #6045104



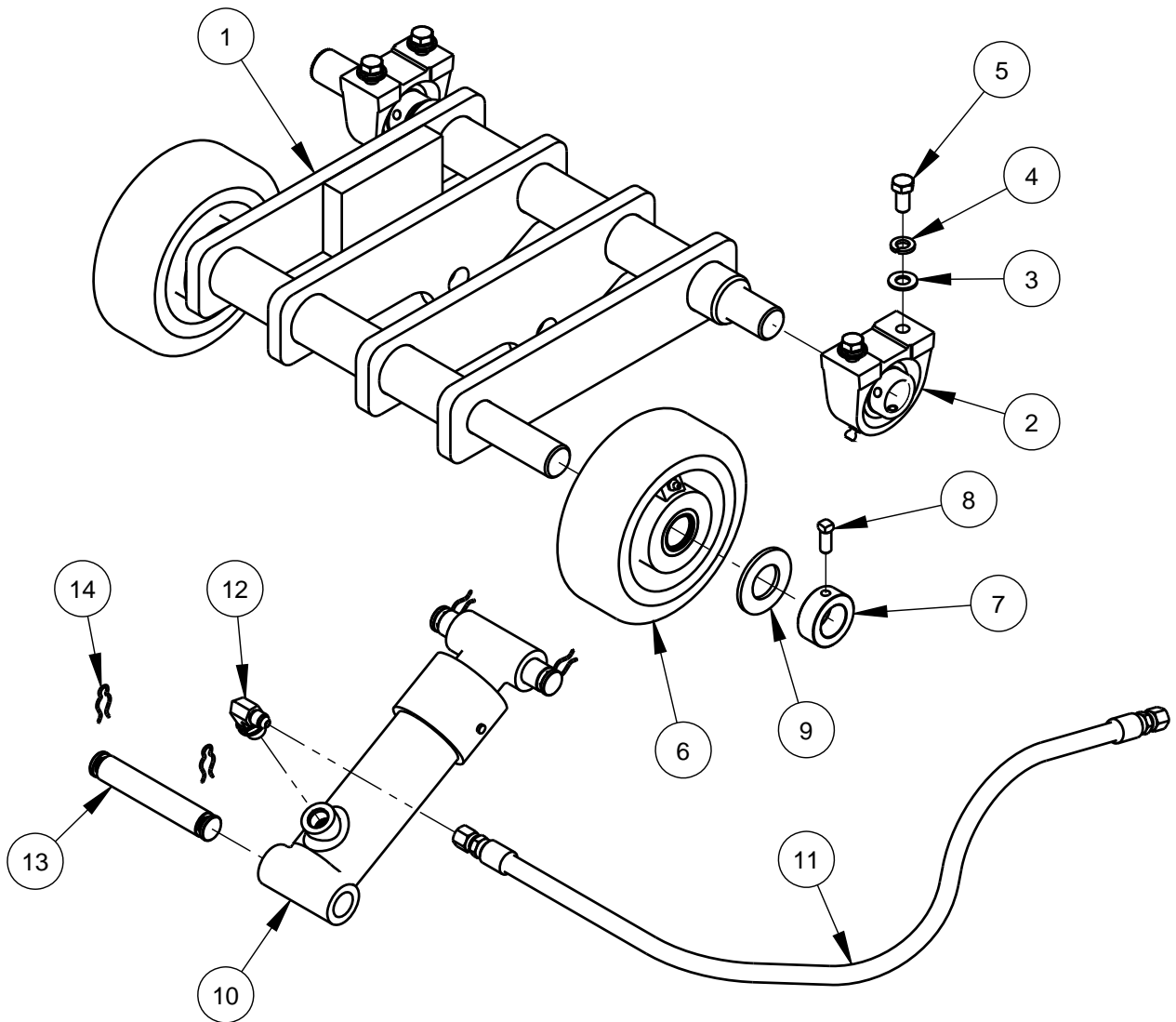
ITEM	PART NO.	QTY.	DESCRIPTION
1	2502407	1	Air Cleaner Assembly
	2504602	1	Outer Primary Filter
	2504603	1	Inner Safety Filter
	2500239	1	Rubber Dust Ejector Boot
2	3200095	1	Hose Clamp #32
3	3400615	3	Hose Clamp, #20
4	2503177	1	Hose Reducer, 2.0"-1.5" ID
5	6045105	1	Hose Connector, 1-1/2" x 1-1/4" x 3"
6	6045142	1	Air Filter Hose
7	6045292	1	Water Bottle/Air Cleaner Mount
8	2900019	2	Cap Screw, Hex Hd., 5/16-18 x 3/4"
9	2900022	2	Flat Washer, 5/16" SAE
10	2900039	2	Lock Nut, 5/16-18 Nylon
11	2900329	2	Cap Screw, Hex Hd., M8 x 20mm
12	2900763	2	Lock Washer, M8 Split
13	2900022	2	Flat Washer, 5/16" SAE
14	3200117	1	Close Nipple, 1/8" NPT
15	2500423	1	Restriction Indicator
16	2901321	1	Stud, Threaded, M8 x 110
17	2903233	2	Flat Washer, M8
18	2900343	1	Hex Nut, M8
19	2900303	1	Lock Nut, M8 Nylon

Frame Base Assembly #6045376



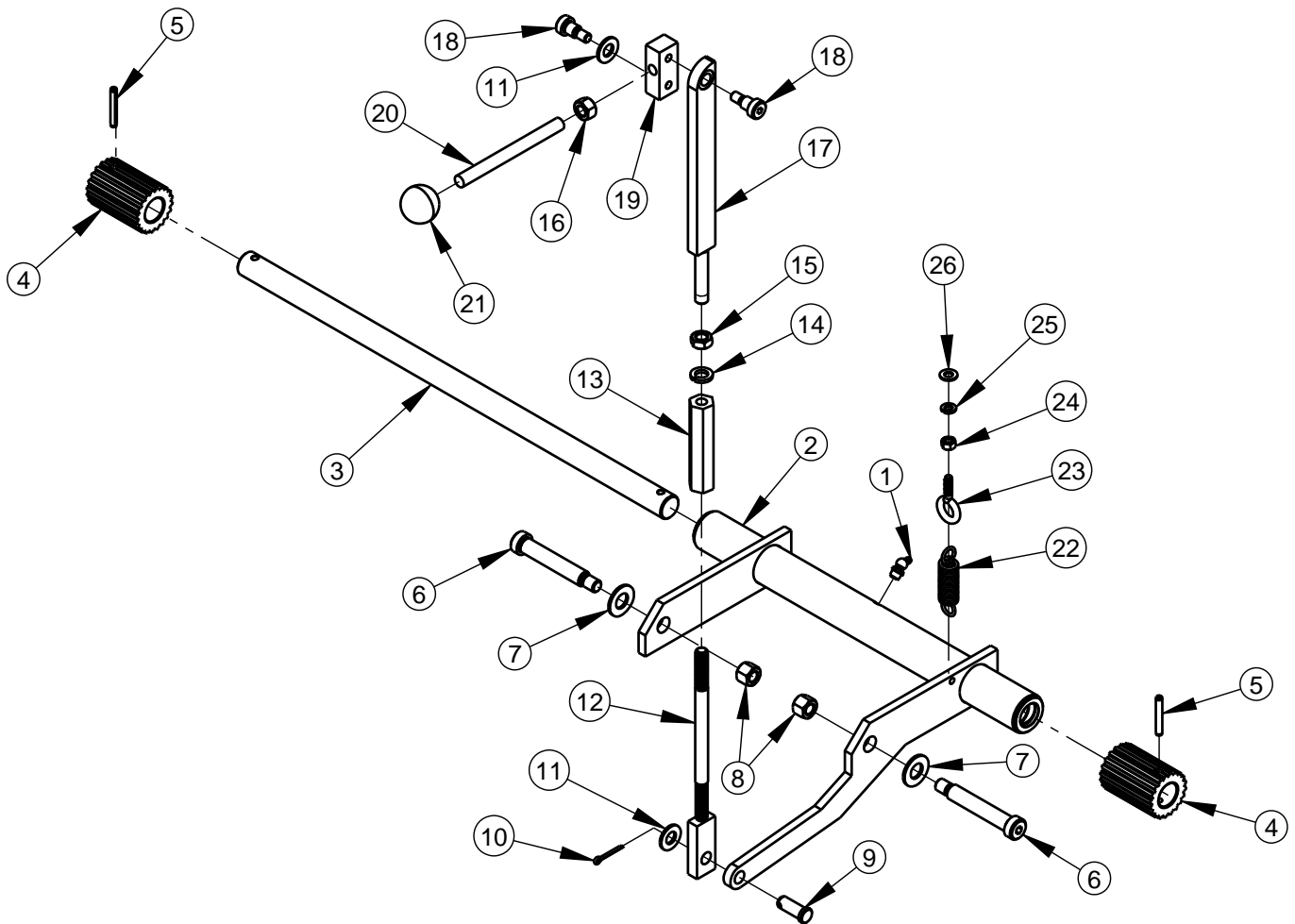
ITEM	PART NO.	QTY.	DESCRIPTION
1	6045355	1	Frame Base Weldment
2	6045019	1	Side Cover Weldment
3	2900014	4	Flat Washer, 3/8" SAE
4	2900006	5	Lock Washer, 3/8" Split
5	2900005	4	Cap Screw, Hex Hd., 3/8-16 x 1"
6	6045204	1	Pointer Extension With Stop
7	6047976	1	Pointer Extension
8	6045053	1	Shaft Guard Assembly
9	2900058	2	Flat Washer, 1/2" SAE
10	2900139	2	Cap Screw, Hex Hd., 1/2-13 x 1-3/4"
11	2900026	2	Lock Nut, 1/2-13 Nylon
12	2900500	1	Thumb Screw, 3/8-16 x 1"
13	6045160	1	Frame Base Side Cover Spacer, Rear
14	6045221	1	Rear Pointer Weldment
15	2900028	1	Cap Screw, Hex Hd., 3/8-16 x 2-3/4"

Front Axle Assembly #6045029



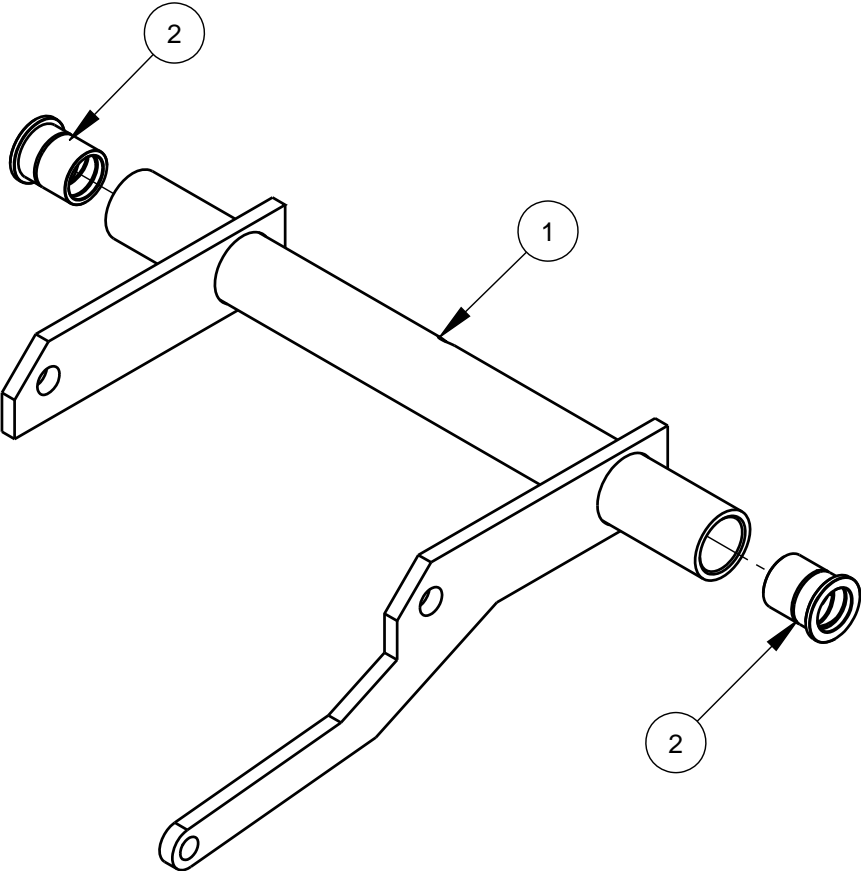
ITEM	PART NO.	QTY.	DESCRIPTION
1	6045165	1	Front Axle Weldment
2	2500732	2	Pillow Block Bearing 1"
3	2900014	4	Flat Washer, 3/8" SAE
4	2900006	4	Lock Washer, 3/8" Split
5	2900196	4	Cap Screw, Hex Hd., 3/8-16 x 3/4"
6	2500299	2	Wheel, 6" Front
7	2500009	2	Set Collar, 1" ID
8	2900783	2	Set Screw, Sq. Hd., 5/16-18 x 3/4"
9	2900295	2	Flat Washer, 1" SAE
10	2501541	1	Hydraulic Cylinder, 1-3/4" x 5"
11	3201684	1	Hydraulic Hose Assembly, 52-1/2" Long
12	3200551	1	Elbow, 3/8" O-Ring to 1/4" M. JIC
13	6045056	2	Cylinder Pin, 3/4" x 4-1/2"
14	2900784	4	Hair Pin Clip, 1/2"

Positraction Engagement Assembly #6045033



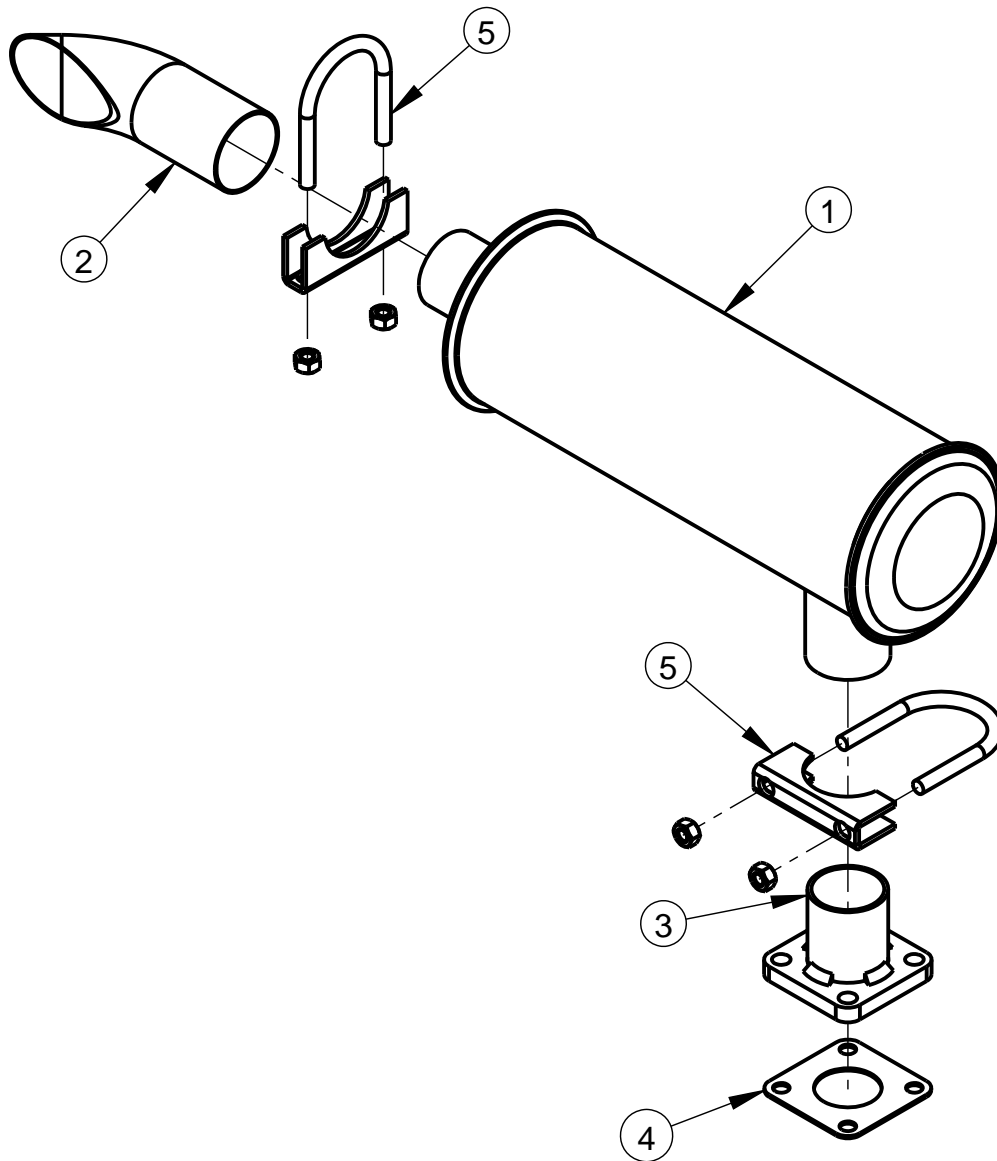
ITEM	PART NO.	QTY.	DESCRIPTION
1	2900193	1	Grease Fitting, 1/8" NPT x 45 degree
2	6045164	1	Traction Bar Assembly
3	6015036	1	Positraction Axle, 1" x 23-1/4"
4	6015035	2	Sprocket, 20T
5	2901015	2	Roll Pin, 1/4" x 1-3/4"
6	2900824	2	Shoulder Screw, 5/8" x 3-1/4" (1/2-13)
7	2900002	2	Flat Washer, 5/8" SAE
8	2900026	2	Lock Nut, 1/2-13 Nylon
9	2900266	1	Clevis Pin, 1/2 x 1-1/4"
10	2900004	1	Cotter Pin, 1/8" x 1"
11	2900058	2	Flat Washer, 1/2" SAE
12	6045014	1	Lower Positraction Arm Weldment
13	2901013	1	Coupling Nut, 1/2-13 x 4 LH/RH
14	2900084	1	Lock Washer, 1/2" Split
15	2900129	1	Hex Nut, Jam, 1/2"-13
16	2900037	1	Hex Nut, 1/2-13
17	6015044	1	Upper Positraction Arm Weldment
18	2900588	2	Shoulder Screw, 1/2" x 1/2" (3/8-16)
19	6015043	1	Disengage Pivot Bar
20	2503915	1	1/2-20 x 5-1/2" Threaded Stud RH
21	2504032	1	Knob, 1/2-13 x 1-1/2 Dia
22	2503940	1	Extension Spring, 3/4 x .105 x 3.00"
23	2900720	1	Eyebolt, 5/16-18 x 1"
24	2900141	1	Hex Nut, 5/16-18
25	2900031	1	Lock Washer, 5/16" Split
26	2900022	1	Flat Washer, 5/16" SAE

Traction Bar Assembly #6045164



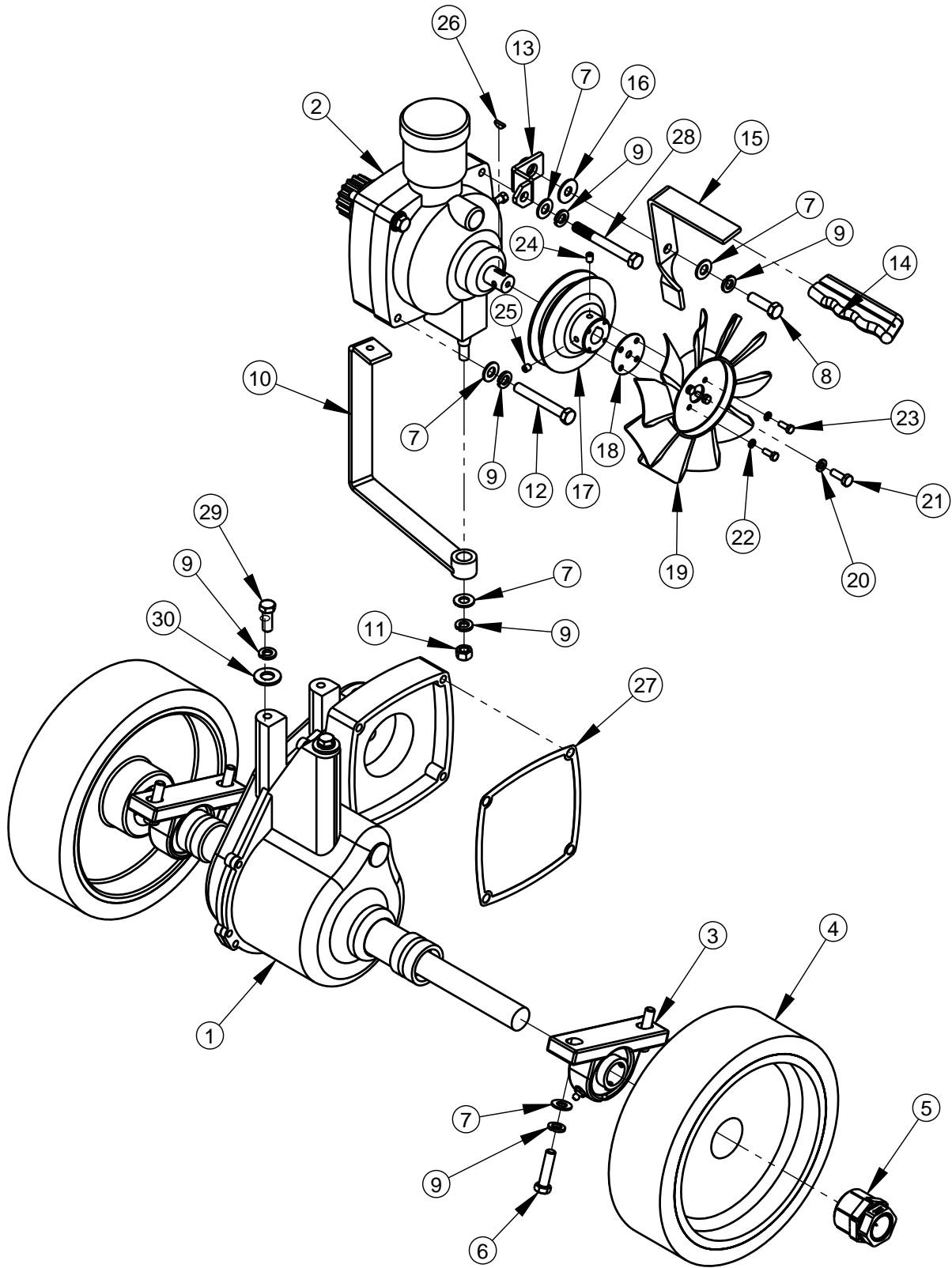
ITEM	PART NO.	QTY.	DESCRIPTION
1	6045004	1	Traction Bar Weldment
2	2502170	2	Grooved Flange Bearing 1 x 1-1/4 x 1-1/2"

Horizontal Muffler Kit
#6045145



ITEM NO.	PART NUMBER	QTY.	DESCRIPTION
1	2700491	1	Muffler, Exhaust
2	2500517	1	Exhaust Deflector, 1-7/8"
3	2503906	1	4 Bolt Exhaust Flange
4	2503907	1	4 Bolt Exhaust Flange Gasket
5	2503909	2	Muffler Clamp, 1-3/4"

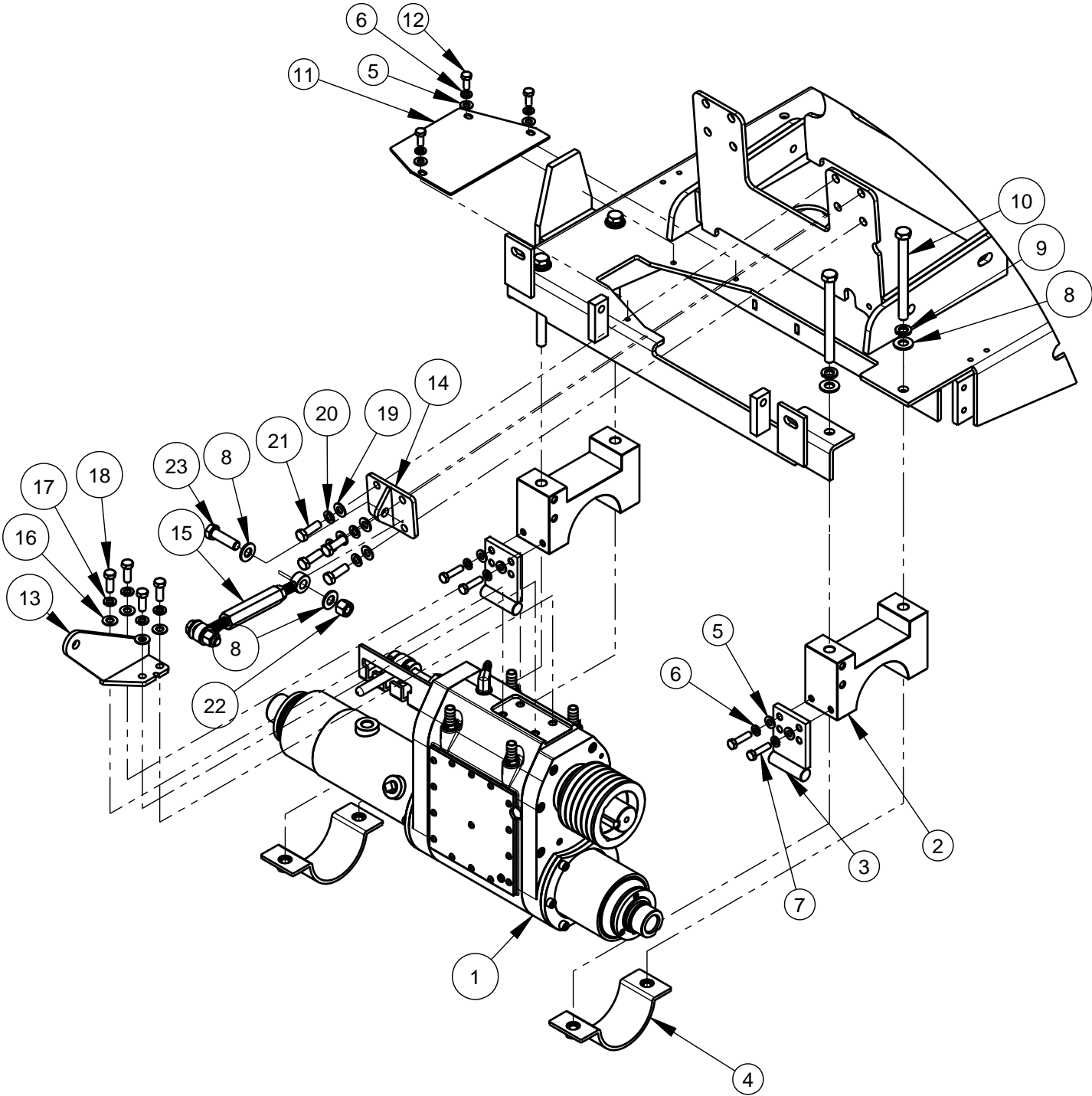
Differential Assembly #6045027



Differential Assembly #6045027

ITEM	PART NO.	QTY.	DESCRIPTION
1	2600206	1	Peerless Transaxle 1325-A
2	6045208	1	Eaton 7 Dimpled Shaft Trans with Gear
3	2500013	2	Bearing, 1" Pillowblock
4	2500996	2	Wheel 10 x 3 1.75 Bore
5	2500867	2	Trantorque Bushing, 1"
6	2900029	4	Cap Screw, Hex Hd., 3/8-16 x 1-1/2"
7	2900014	10	Flat Washer, 3/8" SAE
8	2900013	1	Cap Screw, Hex Hd., 3/8-16 x 1-1/4"
9	2900006	12	Lock Washer, 3/8" Split
10	6045059	1	Shift Lever Weldment
11	2900033	1	Hex Nut, 3/8-16
12	2900028	3	Cap Screw, Hex Hd., 3/8-16 x 2-3/4"
13	6015048	1	Free Wheel Mount Bracket
14	2500002	1	Lever Grip
15	6045058	1	Free Wheeling Lever
16	2900153	1	Friction Washer, 3/8"
17	6011149	1	Cup Pulley 4 "- A Groove
18	6045130	1	Fan Pulley Spacer
19	2500519	1	Cooling Fan, 7"
20	2900024	1	Lock Washer, 1/4" Split
21	2900144	1	Cap Screw, Hex Hd., 1/4-20 x 3/4"
22	2900038	4	Lock Washer, #10 Split
23	2900448	4	Machine Screw, Hex Hd., #10-32 x 1/2"
24	2900101	1	Set Screw, Soc. Hd., 1/4-20 x 3/8"
25	2901133	1	Set Screw, Soc. Cone Point, 1/4-20 x 3/8"
26	2900068	1	Woodruff Key #404, 1/8" W x 1/2" Dia.
27	2501133	1	Gasket
28	2903030	1	Cap Screw, Hex Hd., 3/8-16 x 3-1/4"
29	2900005	2	Cap Screw, Hex Hd., 3/8-16 x 1"
30	2900058	2	Flat Washer, 1/2" SAE

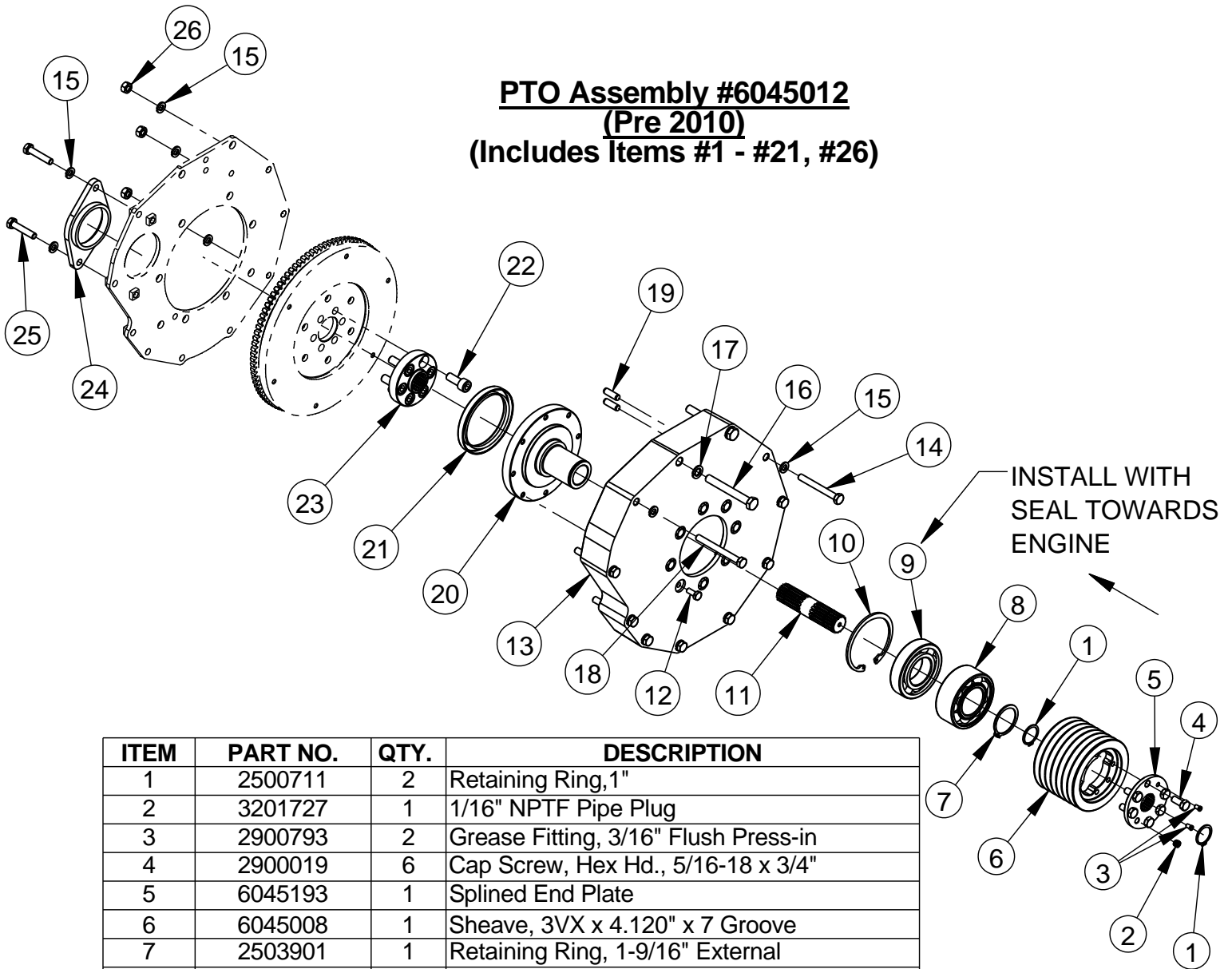
3-Speed Assmebly #6045379



3-Speed Assmebly #6045379

ITEM	PART NO.	QTY.	DESCRIPTION
1	6018074	1	Meco 3 Speed Transmission
2	6045363	2	Clamp Block
3	6045368	2	Skid Plate
4	6045364	2	Clamp Mounting
5	2900022	7	Flat Washer, 5/16" SAE
6	2900031	7	Lock Washer, 5/16" Split
7	2900217	4	Cap Screw, Hex Hd., 5/16-18 x 1-1/4"
8	2900058	8	Flat Washer, 1/2" SAE
9	2900084	4	Lock Washer, 1/2" Split
10	2900466	4	Cap Screw, Hex Hd., 1/2-13 x 5-1/2"
11	6045369	1	Frame Cover
12	2900019	3	Cap Screw, Hex Hd., 5/16-18 x 3/4"
13	6045360	1	Belt Tension Bracket Box
14	6045361	1	Belt Tension Bracket, Engine
15	6045362	1	Tensioner:Engine to Trans
16	2900014	4	Flat Washer, 3/8" SAE
17	2900006	4	Lock Washer, 3/8" Split
18	2900005	4	Cap Screw, Hex Hd., 3/8-16 x 1"
19	2900014	4	Flat Washer, 3/8" SAE
20	2900321	4	Lock Washer, M10 Split
21	2900870	4	Cap Screw, Hex Hd., M10-1.25 x 30mm
22	2900026	2	Lock Nut, 1/2-13 Nylon
23	2900139	2	Cap Screw, Hex Hd., 1/2-13 x 1-3/4"

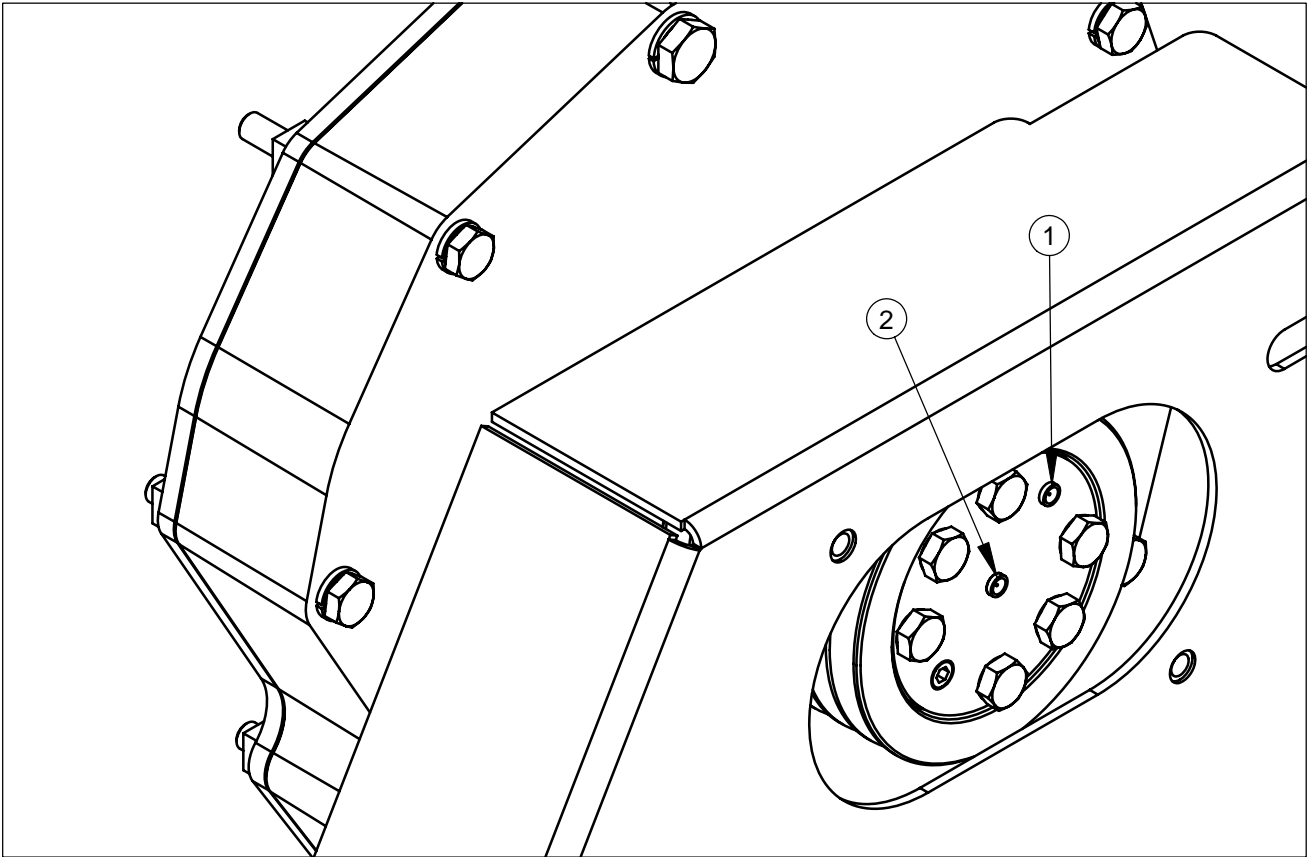
PTO Assembly #6045012
(Pre 2010)
(Includes Items #1 - #21, #26)



ITEM	PART NO.	QTY.	DESCRIPTION
1	2500711	2	Retaining Ring, 1"
2	3201727	1	1/16" NPTF Pipe Plug
3	2900793	2	Grease Fitting, 3/16" Flush Press-in
4	2900019	6	Cap Screw, Hex Hd., 5/16-18 x 3/4"
5	6045193	1	Splined End Plate
6	6045008	1	Sheave, 3VX x 4.120" x 7 Groove
7	2503901	1	Retaining Ring, 1-9/16" External
8	2502409	1	Ball Brg, Dbl Row, 40 x 80 x 30.2mm
9	2502410	1	Ball Bearing, 40 x 80 x 18mm
10	2503900	1	Retaining Ring, 3-5/32" Internal
11	6045192	1	Splined Drive Shaft
12	2900023	8	Cap Screw, Hex Hd., 1/4-20 x 5/8"
13	6045025	1	Machined PTO Cover
14	2900777	8	Cap Screw, Hex Hd., M8 x 70mm
15	2900031	14	Lock Washer, 5/16" Split
16	2901022	2	Cap Screw, Hex Hd., M10 x 1.25 x 80mm
17	2900321	2	Lock Washer, M10 Split
18	2901141	1	Cap Screw, Hex Hd., M8 x 80mm
19	2900791	2	Dowel Pin, 8mm Dia x 24mm
20	6045006	1	Shaft Support Sleeve
21	2502372	1	Grease Seal, 3 x 3-3/4 x 3/8"
22	2900807	6	Cap Screw, Soc. Hd., M10-1.25 x 25mm
23	6045005	1	Coupling Hub
24	6045050	1	Starter Spacer
25	2900792	2	Cap Screw, Hex Hd., M8 x 40mm
26	2900343	3	Hex Nut, M8

(NOTE: Inspect and replace Item #11 as required or every 200 hours)

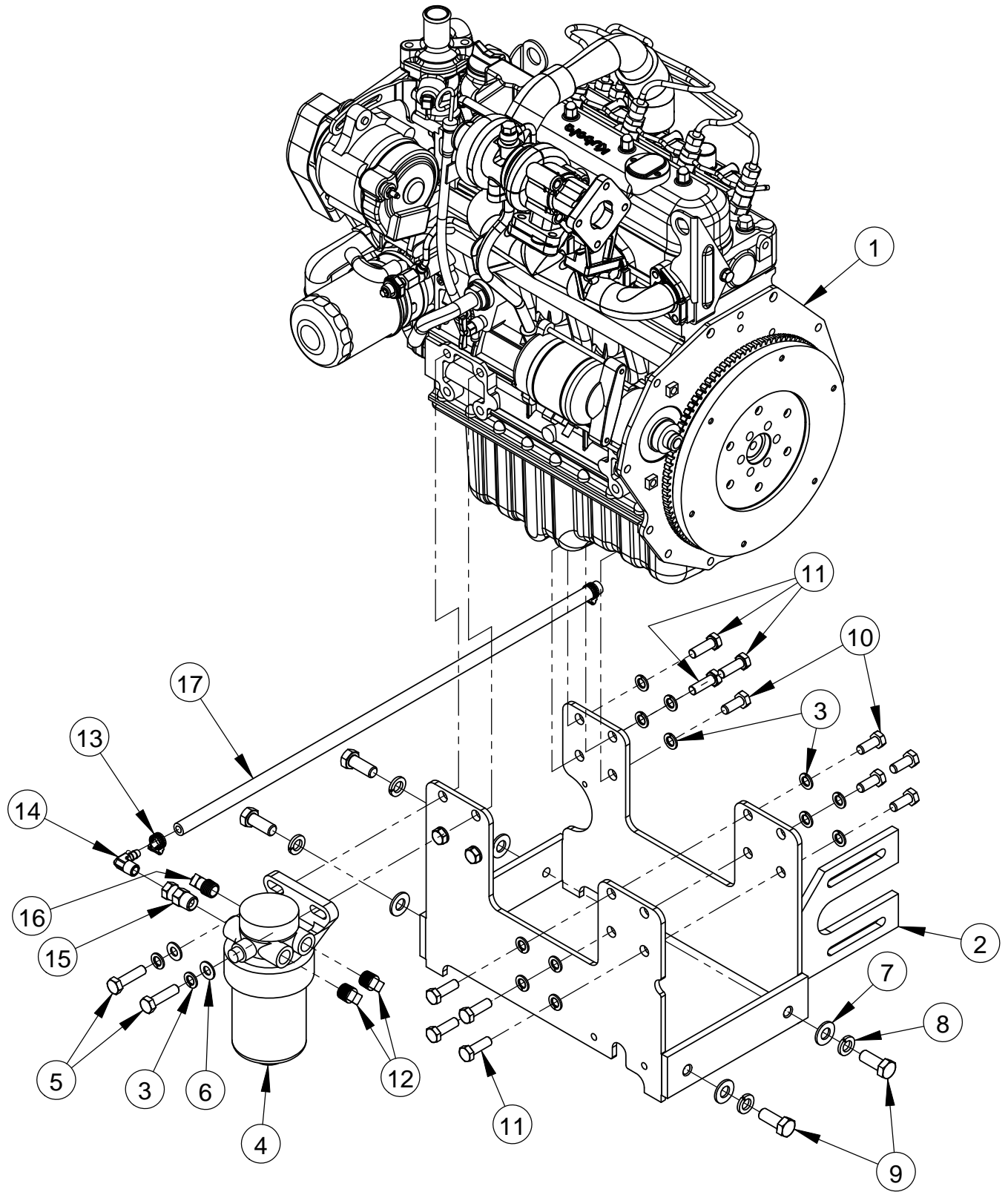
PTO Lubrication
(Post 2009 Style PTO)



Lubricate PTO bearings and shaft splines with a high quality grease such as Mobile HTS in accordance with the chart below.

1	PTO Bearings	4 Pumps every 25 hours
2	PTO Shaft Splines	2 Pumps every 25 hours

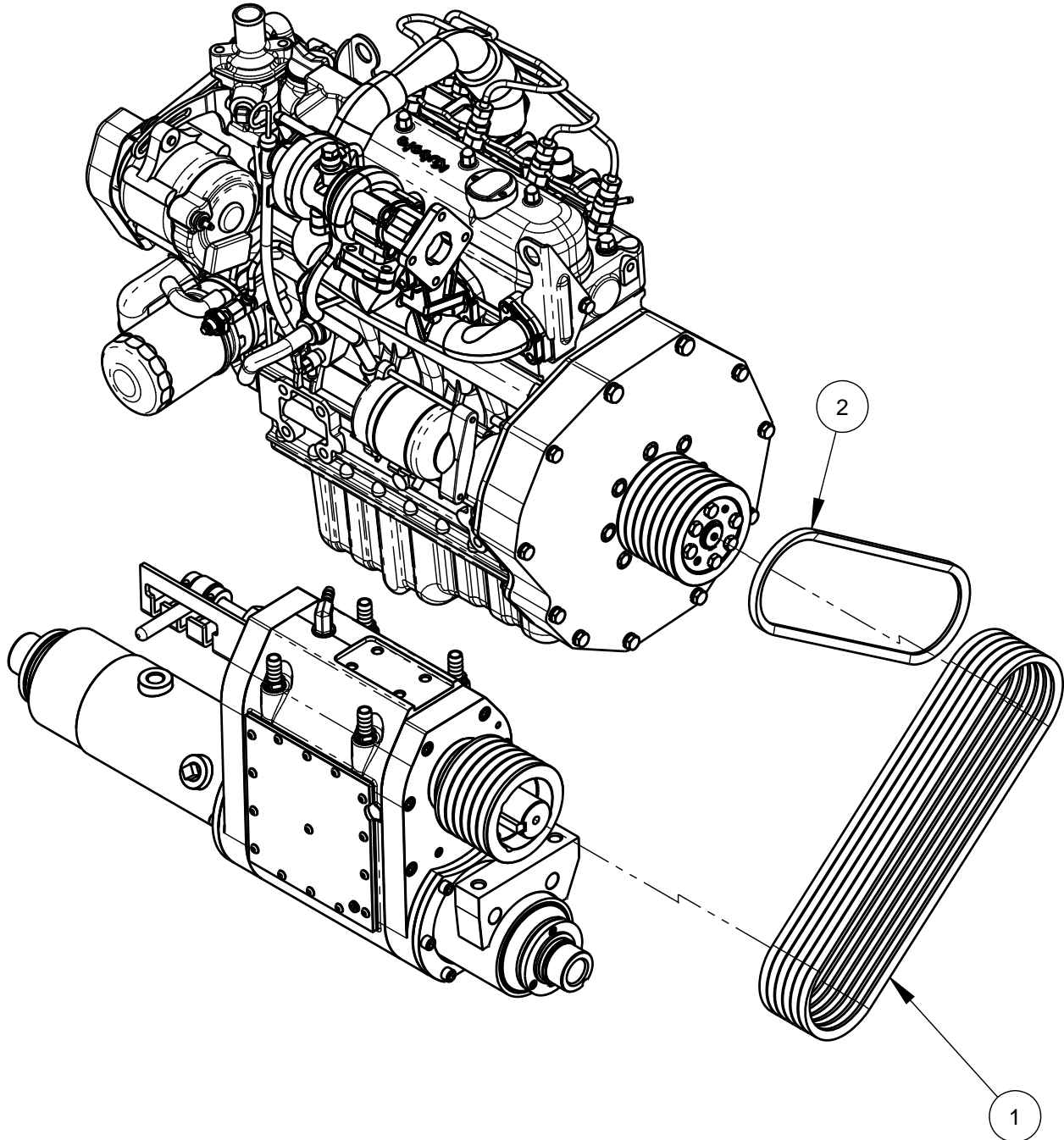
Engine Assembly #6045386



Engine Assembly #6045386

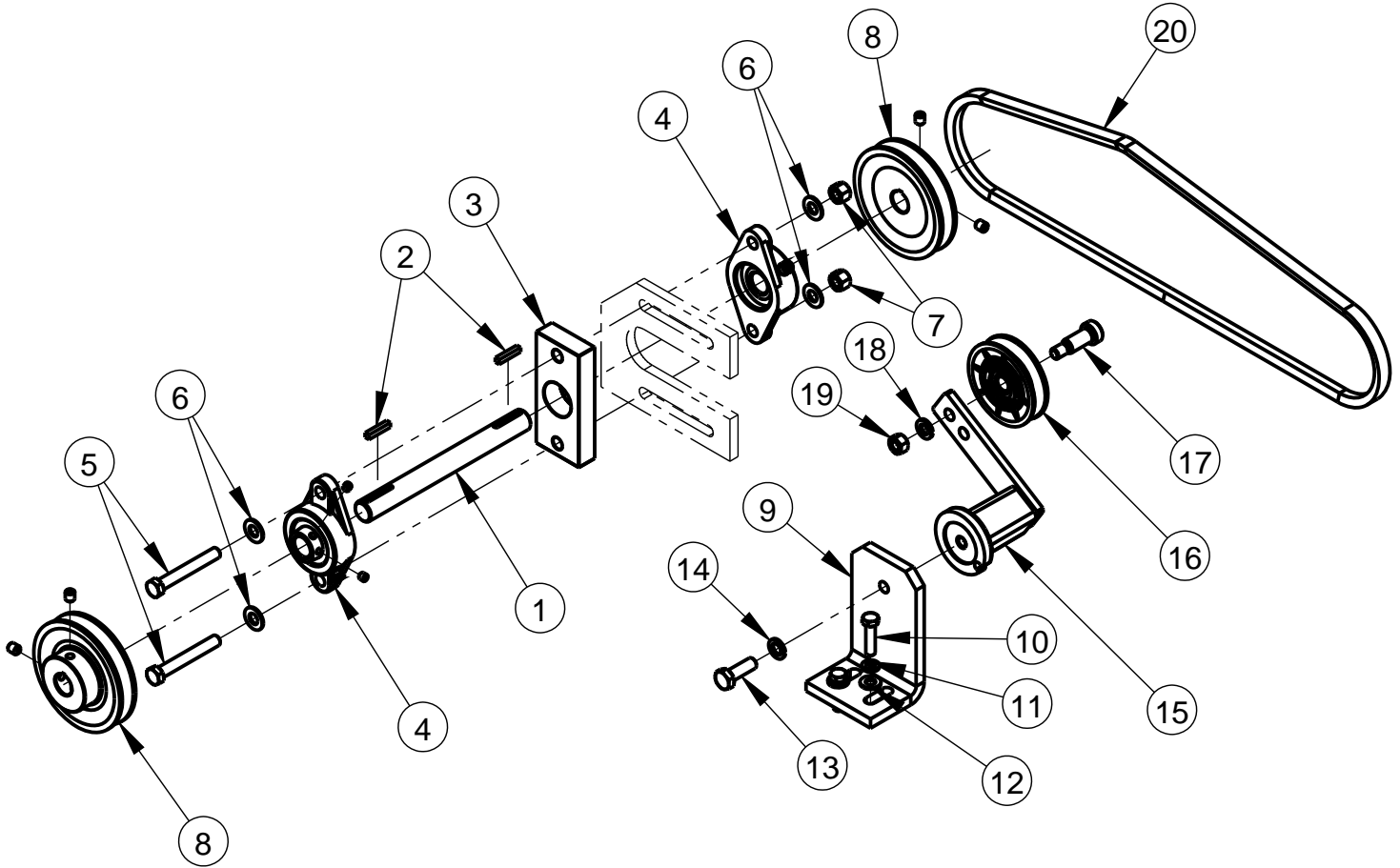
ITEM	PART No.	QTY.	DESCRIPTION
1	2600461	1	Kubota V1505TE-1 Engine
2	6045028	1	Engine Mount Weldment
3	2900321	16	Lock Washer, M10 Split
4	2705002	1	Water Separator/Fuel Filter
5	2900799	2	Cap Screw, Hex Hd., M10-1.25 x 40mm
6	2900014	2	Flat Washer, 3/8" SAE
7	2900058	4	Flat Washer, 1/2" SAE
8	2900084	4	Lock Washer, 1/2" Split
9	2900025	4	Cap Screw, Hex Hd., 1/2-13 x 1-1/4"
10	2900749	7	Cap Screw, Hex Hd., M10-1.25 x 25mm
11	2900870	7	Cap Screw, Hex Hd., M10-1.25 x 30mm
12	3200153	2	Pipe Plug, 3/8" NPT
13	3200062	2	Hose Clamp #4
14	3200599	1	1/4"MTP to 5/16"90deg Hose Barb
15	3200058	1	Adapter, 3/8" MPT to 1/4" FPT
16	3201385	1	Fitting, 3/8" MPT to 5/16" Hose Barb
17	6013096	1	Fuel Line Hose 5/16 ID x 25"

Belt Drive Assembly #6045385



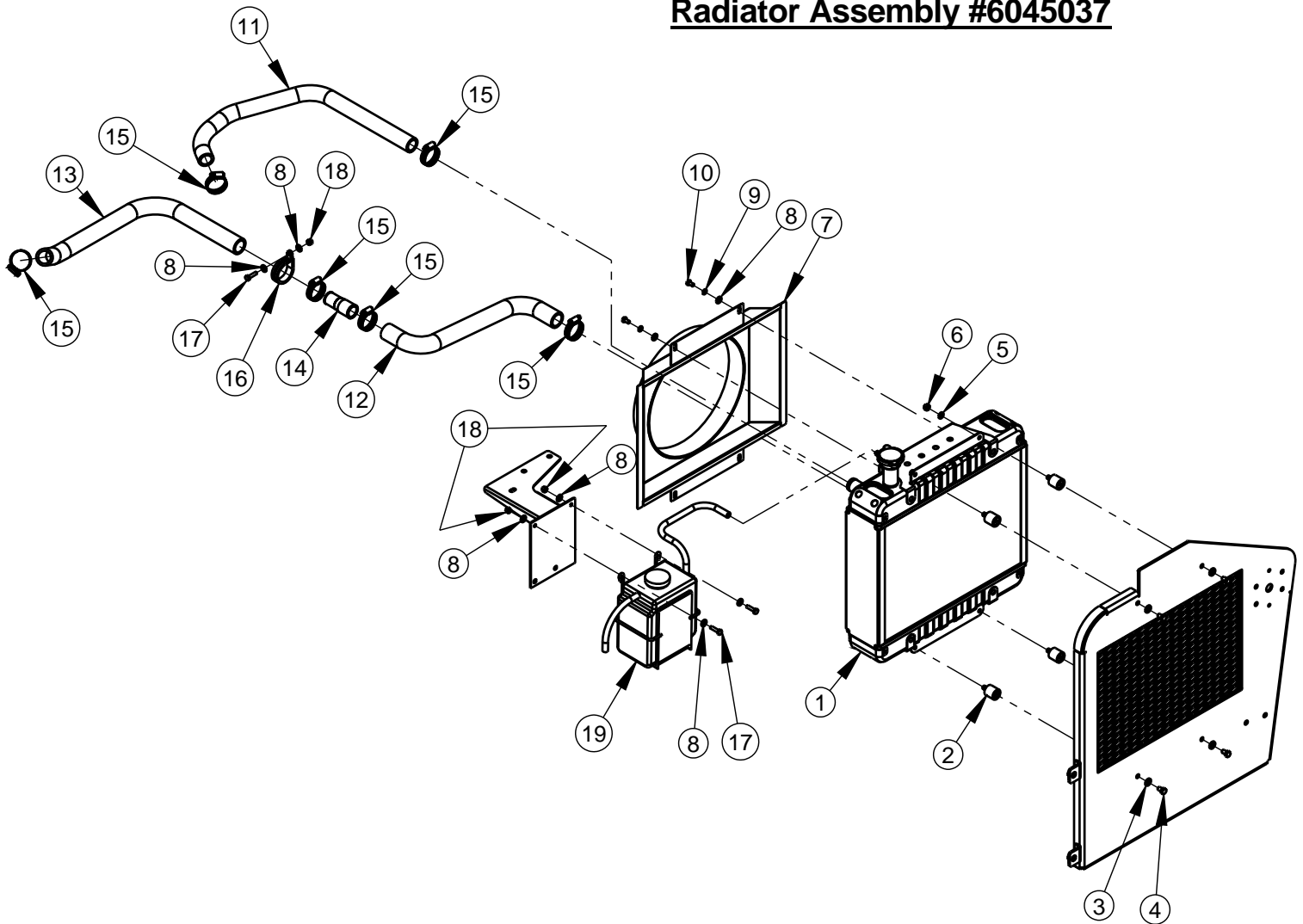
ITEM	PART NO.	QTY.	DESCRIPTION
1	2500037	6	V-Belt, 3VX375
2	2500380	1	V-Belt, 3VX300

Differential Jackshaft Assembly #6045032



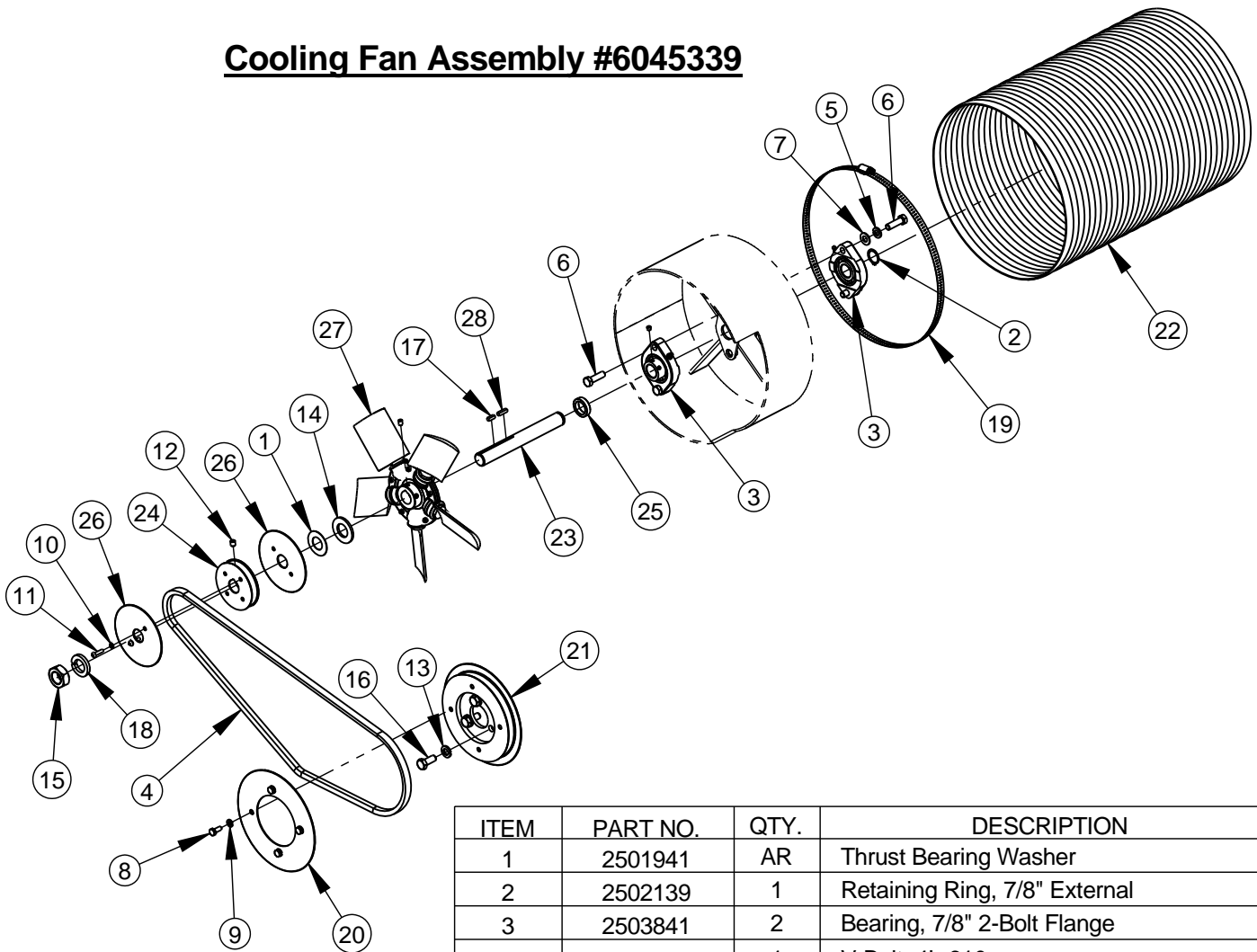
ITEM	PART NO.	QTY.	DESCRIPTION
1	6045080	1	Differential Jackshaft
2	6010170	2	Key, 3/16" Sq. x 1"
3	6045081	1	Jackshaft Bearing Spacer
4	2500011	2	Flg Mnt Brg 3/4" Peer UCFT204-12-90
5	2900028	2	Cap Screw, Hex Hd., 3/8-16 x 2-3/4"
6	2900014	4	Flat Washer, 3/8" SAE
7	2900018	2	Lock Nut, 3/8-16 Nylon
8	2500455	2	Pulley, 4" Single Groove w/Setscrews
9	6045074	1	Differential Belt Tensioner Mount
10	2900217	2	Cap Screw, Hex Hd., 5/16-18 x 1-1/4"
11	2900031	2	Lock Washer, 5/16" Split
12	2900022	2	Flat Washer, 5/16" SAE
13	2900223	1	Cap Screw, Hex Hd., M10 x 30mm
14	2900321	1	Lock Washer, M10 Split
15	2502666	1	Idler Tensioner
16	2502669	1	Idler Pulley, 3" V-Type
17	2900587	1	Shoulder Screw, 1/2" x 1" (3/8-16)
18	2900006	1	Lock Washer, 3/8" Split
19	2900033	1	Hex Nut, 3/8-16
20	2502403	1	V-Belt, AX43

Radiator Assembly #6045037



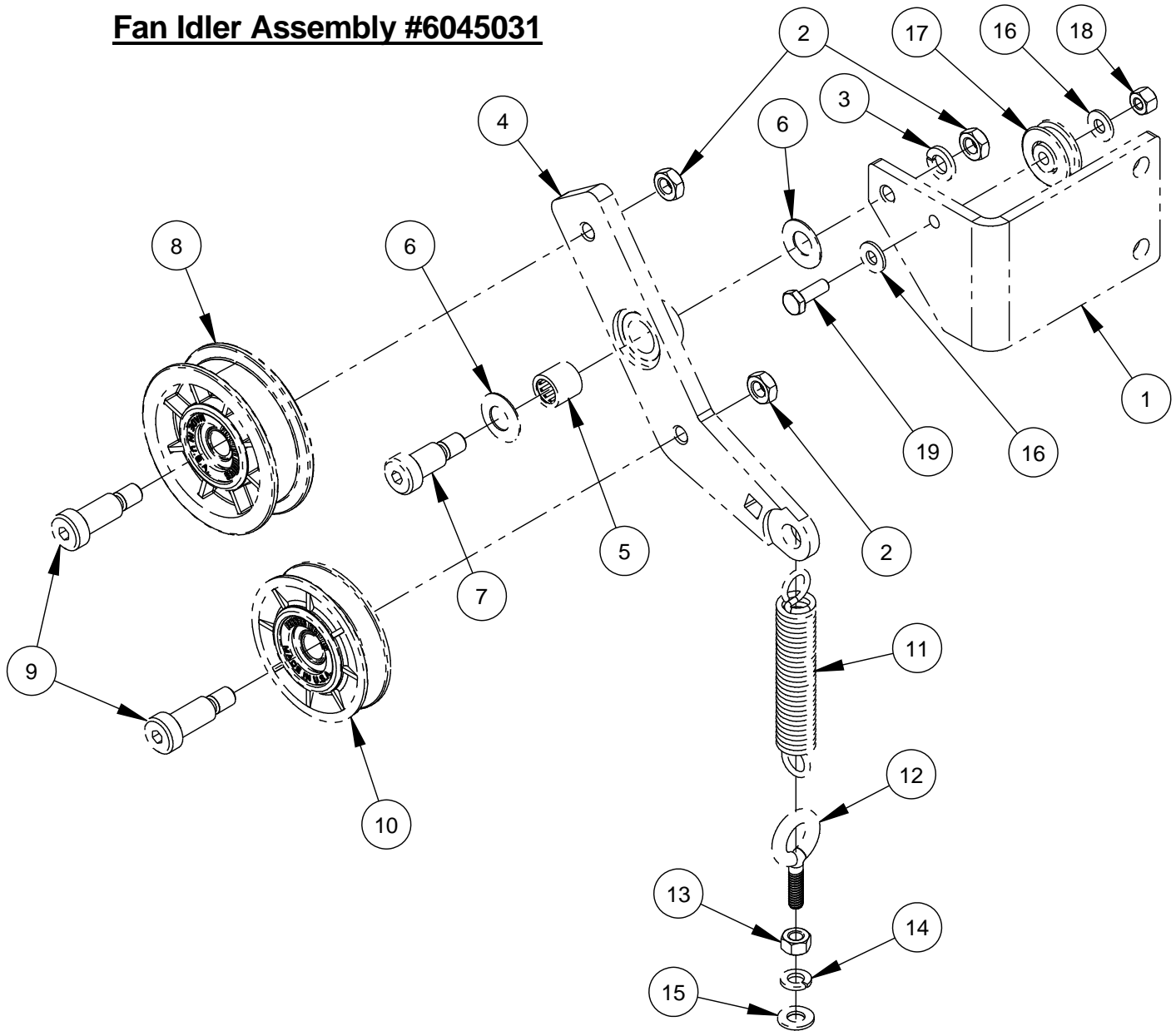
ITEM	PART NO.	QTY.	DESCRIPTION
1	2505038	1	Radiator Assembly
2	2503917	4	Vibration Isolator
3	2900022	4	Flat Washer, 5/16" SAE
4	2900958	4	Cap Screw, Hex Hd., 5/16-18 x 1/2"
5	2900031	4	Lock Washer, 5/16" Split
6	2900141	4	Hex Nut, 5/16-18
7	6045077	1	Fan Shroud Assembly
8	2900009	10	Flat Washer, 1/4" SAE
9	2900024	4	Lock Washer, 1/4" Split
10	2900082	4	Cap Screw, Hex Hd., 1/4-20 x 1/2"
11	6045102	1	Upper Radiator Hose
12	3202129	1	Lower Radiator Hose
13	3202131	1	Lower Radiator Hose
14	6045098	1	Hose Connection Sleeve
15	3400615	6	Hose Clamp, #20
16	2503916	1	Steel Loop Strap, 1-3/4"
17	2900008	3	Cap Screw, Hex Hd., 1/4-20 x 1"
18	2900010	3	Lock Nut, 1/4-20 Nylon
19	2502624	1	Overflow Tank Assembly

Cooling Fan Assembly #6045339



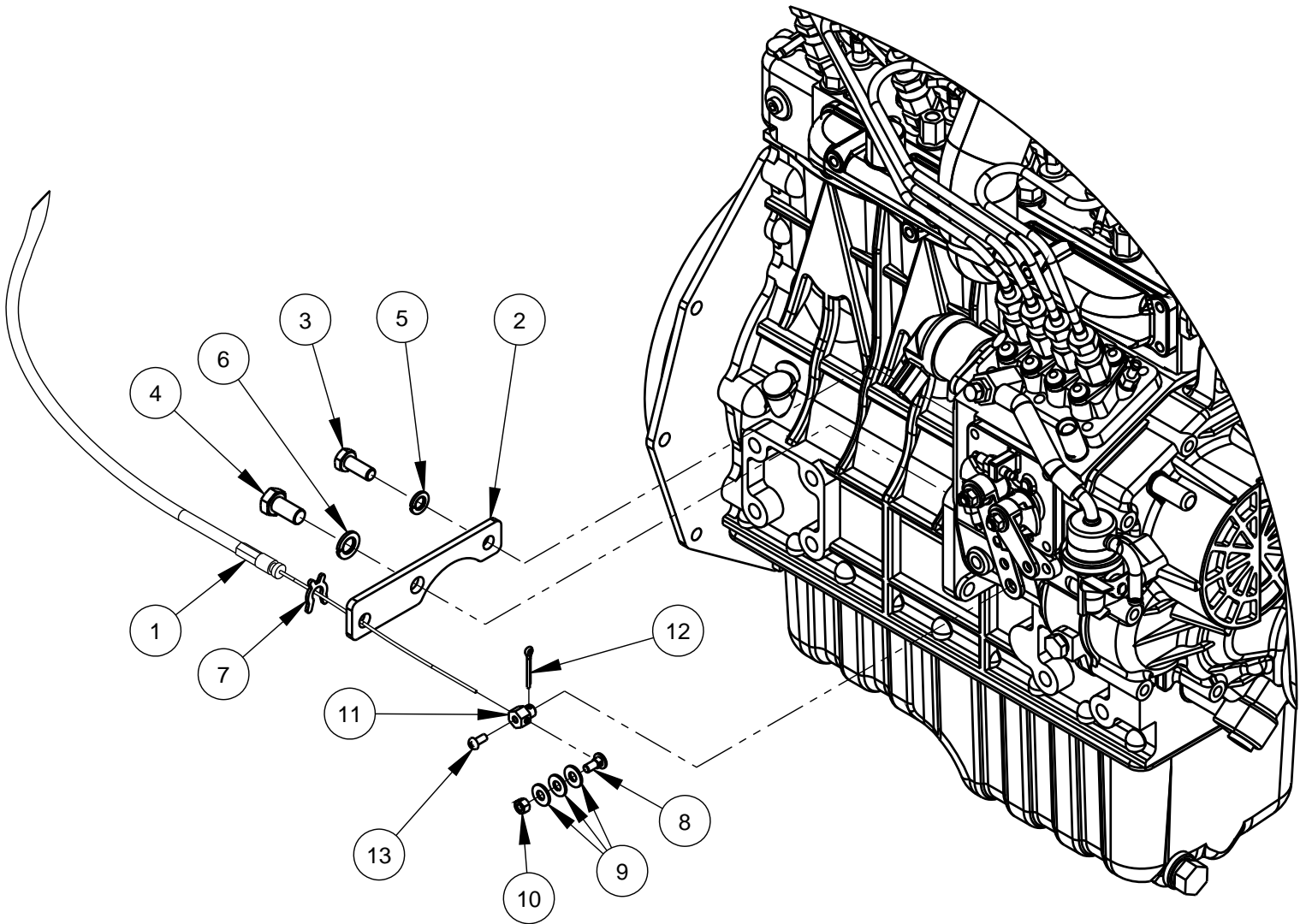
ITEM	PART NO.	QTY.	DESCRIPTION
1	2501941	AR	Thrust Bearing Washer
2	2502139	1	Retaining Ring, 7/8" External
3	2503841	2	Bearing, 7/8" 2-Bolt Flange
4	2506468	1	V-Belt, 4L-610
5	2900006	2	Lock Washer, 3/8" Split
6	2900013	4	Cap Screw, Hex Hd., 3/8-16 x 1-1/4"
7	2900014	2	Flat Washer, 3/8" SAE
8	2900023	4	Cap Screw, Hex Hd., 1/4-20 x 5/8"
9	2900024	4	Lock Washer, 1/4" Split
10	2900038	2	Lock Washer, #10 Split
11	2900093	2	Round Hd. Screw, #10-24 x 3/4"
12	2900142	1	Set Screw, Soc. Hd., 5/16-18 x 3/8"
13	2900238	3	Lock Washer, 7/16" Split
14	2900425	AR	Flat Washer, 7/8" SAE
15	2900626	1	Jam Nut, 7/8-14
16	2900749	3	Cap Screw, Hex Hd., M10-1.25 x 25mm
17	2900919	1	Key, 3/16" Sq. x 9/16"
18	2901110	1	Lock Washer, 7/8" Split
19	3202320	1	Hose Clamp, 2-1/16" - 17"
20	6045126	1	7" Pulley Guard
21	6045127	1	Pulley Assembly, 4L x 6"
22	6045095	1	Vent Duct, 12" OD x 18"
23	6045332	1	Fan Shaft
24	6045334	1	Pulley, 4L x 3-1/4"
25	6045335	1	Fan Shaft Spacer
26	6045336	2	4.25" Pulley Guard
27	6045337	1	Fan Assembly
28	6048018	1	Key, 3/16" Sq. x 3/4"

Fan Idler Assembly #6045031



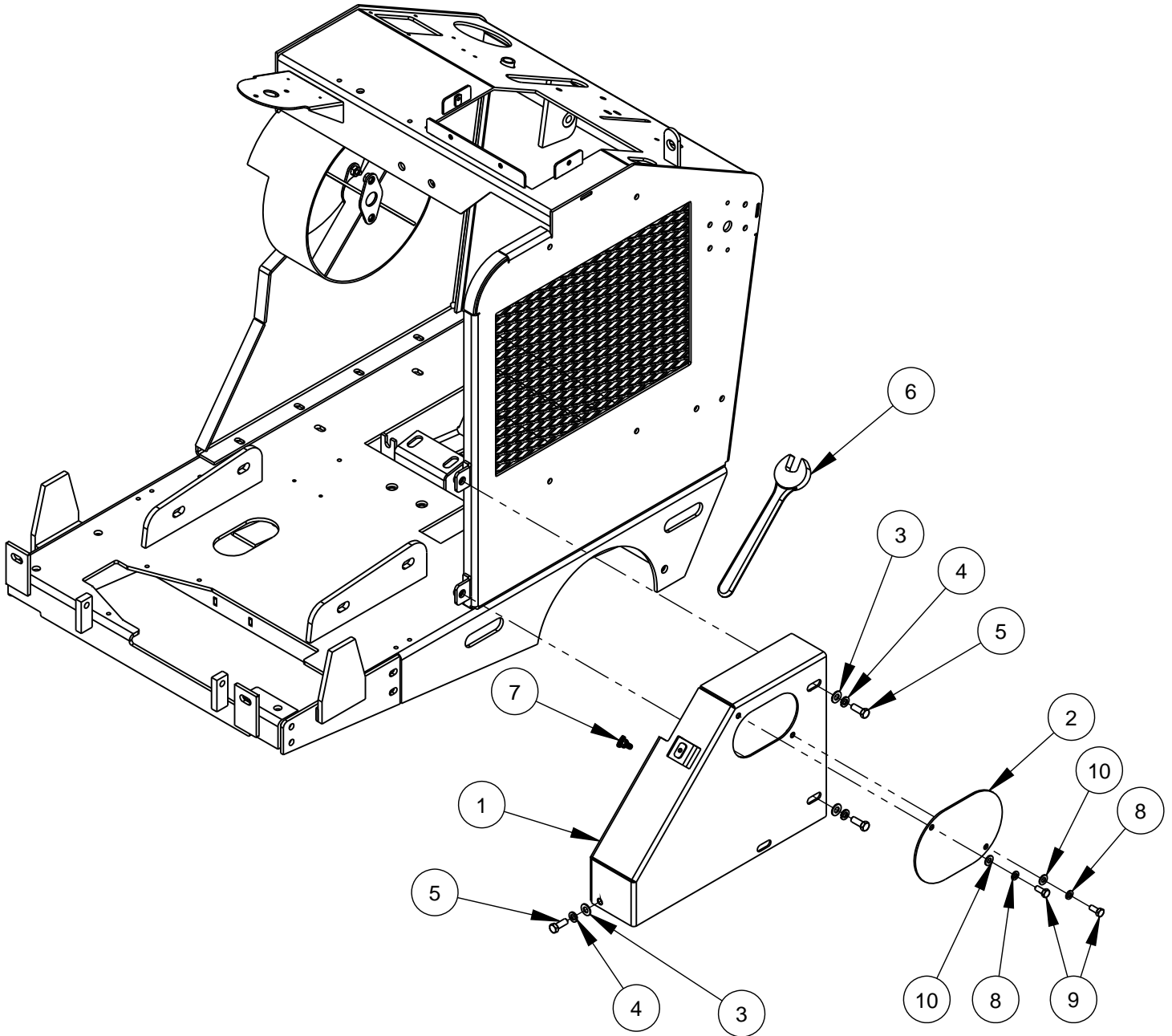
ITEM	PART NO.	QTY.	DESCRIPTION
1	6045122	1	Idler Mounting Bracket
2	2900782	3	Jam Nut, 3/8-16
3	2900006	1	Lock Washer, 3/8" Split
4	6045123	1	Idler Pivot Arm
5	2503922	1	Needle Bearing, 1/2 x 11/16 x 5/8"
6	2900665	2	Belleville Washer, 1/2"
7	2900259	1	Shoulder Screw, 1/2" x 3/4" (3/8-16)
8	2503921	1	Idler Pulley, 3" Flat Type
9	2900587	2	Shoulder Screw, 1/2" x 1" (3/8-16)
10	2503920	1	Idler Pulley, 3" V-Type
11	2503941	1	Extension Spring, 3/4 x .112 x 4.50"
12	2900720	1	Eyebolt, 5/16-18 x 1"
13	2900141	1	Hex Nut, 5/16-18
14	2900031	1	Lock Washer, 5/16" Split
15	2900022	1	Flat Washer, 5/16" SAE
16	2900009	2	Flat Washer, 1/4" SAE
17	2500155	1	Cable Pulley, 1-1/4"
18	2900010	1	Lock Nut, 1/4-20 Nylon

Throttle Cable Assembly #6045044
(Includes Items #1 - #10)



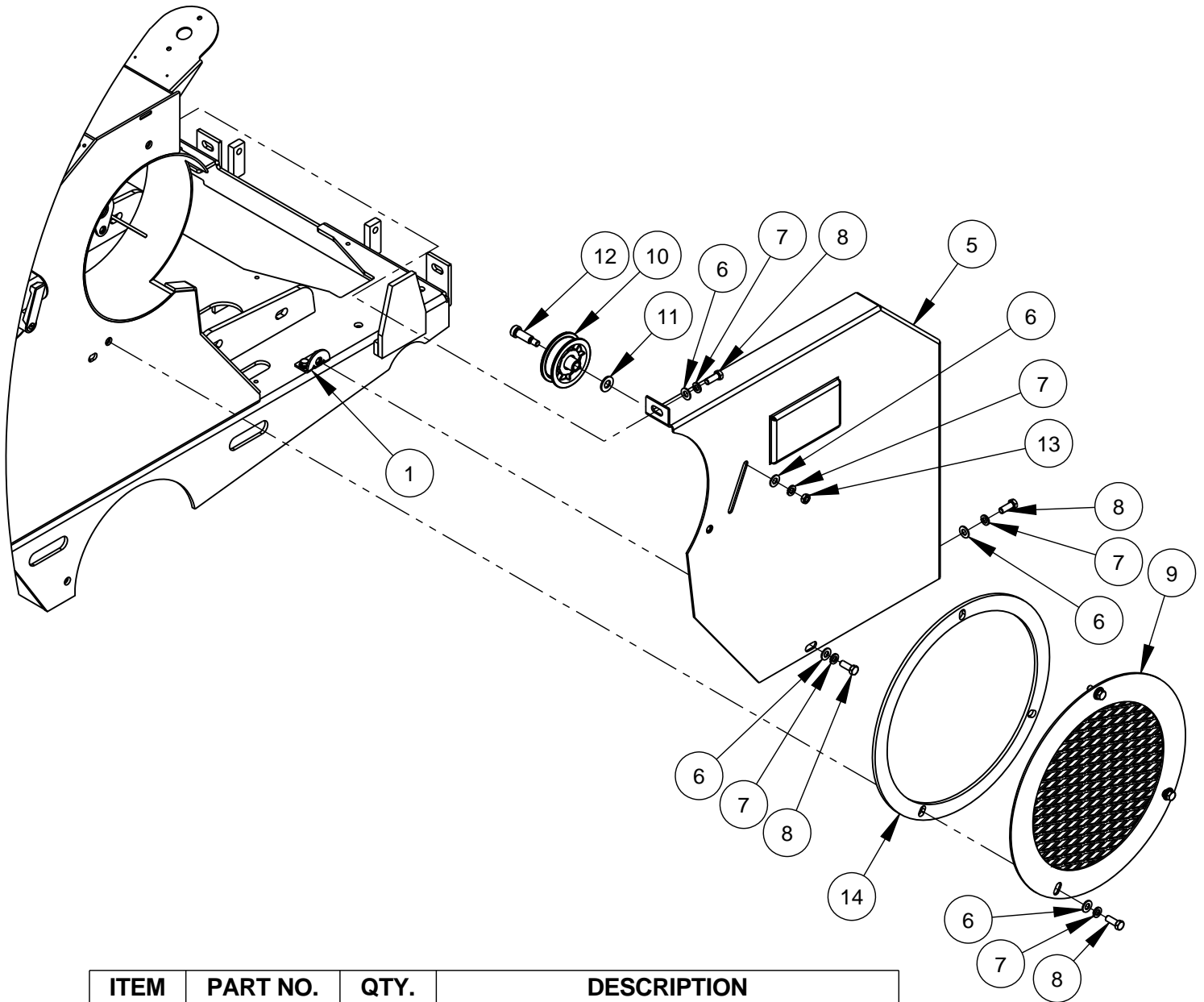
ITEM	PART NO.	QTY.	DESCRIPTION
1	2503183	1	Vernier Throttle Cable
2	6045115	1	Throttle Bracket
3	2900329	1	Capscrew, Hex Hd., M8 x 20mm
4	2901021	1	Cap Screw, Hex Hd., M10-1.25 x 20mm
5	2900763	1	Lock Washer, M8 Split
6	2900321	1	Lock Washer, M10 Split
7	2901135	1	1/4" 'X' Washer
8	2503945	1	Cable Anchor
9	2900016	3	Flat Washer, #10 USS
10	2900301	1	Lock Nut, M5 Nylon
11	2503918	1	Wire Stop Pivot Pin
12	2900034	1	Cotter Pin, 3/32" x 3/4"
13	2900114	1	Machine Screw, Rd. Hd., #8-32 x 3/8"

Left Belt Guard Assembly #6045377



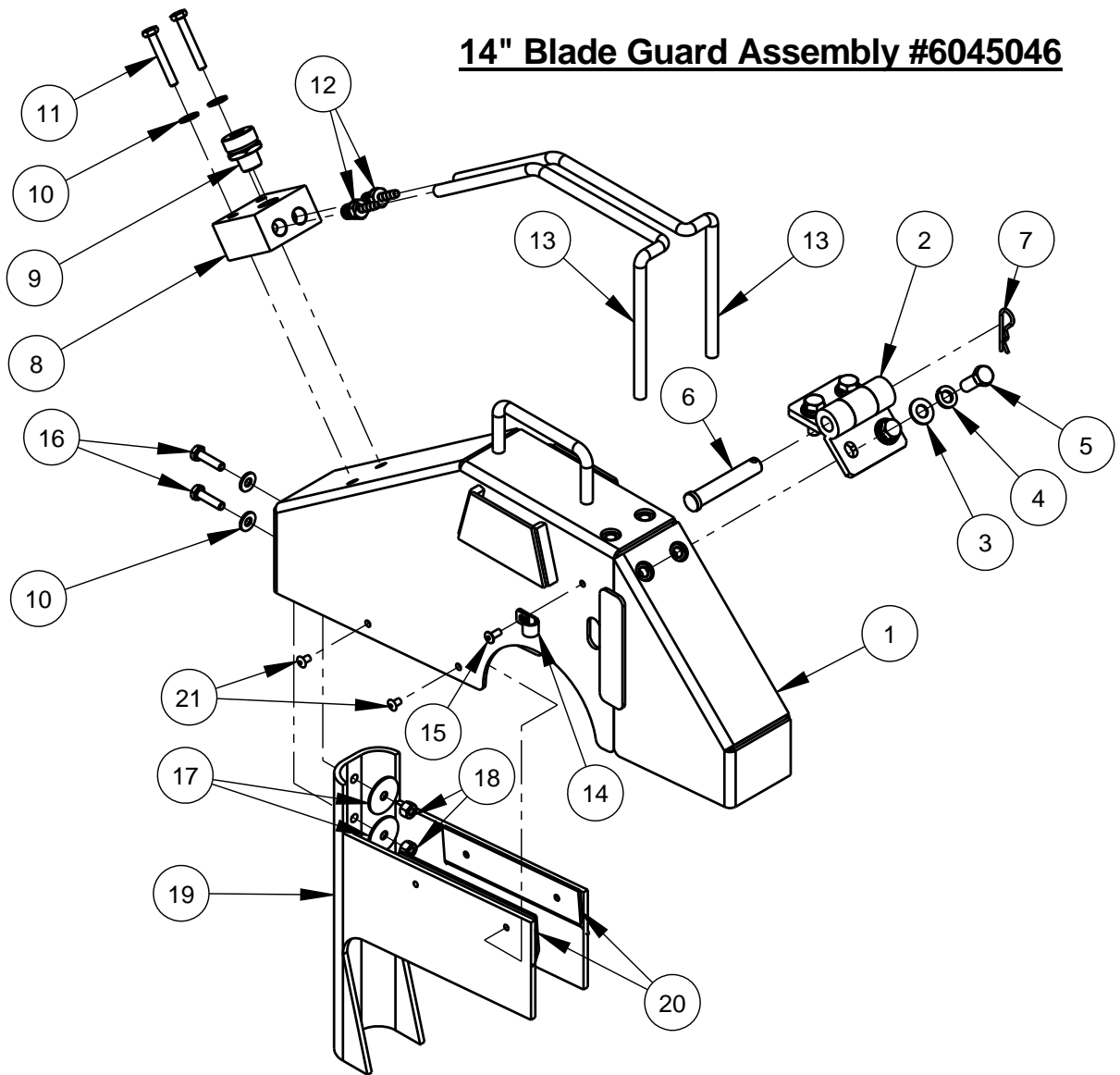
ITEM	PART NO.	QTY.	DESCRIPTION
1	6045370	1	Belt Guard
2	6045116	1	PTO Cover Plate
3	2900014	3	Flat Washer, 3/8" SAE
4	2900006	3	Lock Washer, 3/8" Split
5	2900005	3	Cap Screw, Hex Hd., 3/8-16 x 1"
6	2500211	1	Wrench, 15/16" Open End
7	2900270	1	Thumb Screw, 5/16-18 x 3/4"
8	2900031	2	Lock Washer, 5/16" Split
9	2900019	2	Cap Screw, Hex Hd., 5/16-18 x 3/4"
10	2900022	2	Flat Washer, 5/16" SAE

Right Belt Guard Assembly #6045378



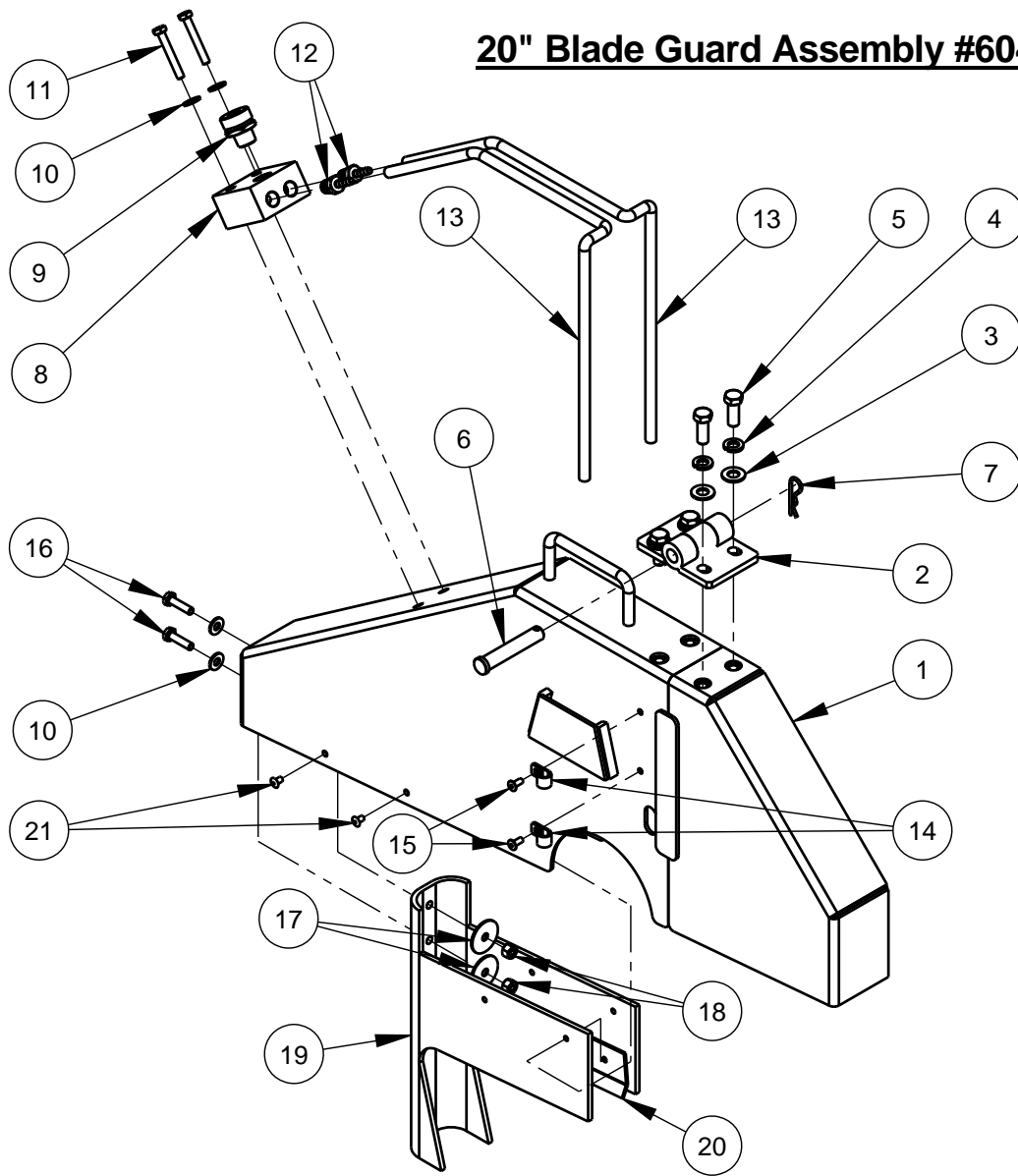
ITEM	PART NO.	QTY.	DESCRIPTION
1	6010558	1	Guard Mounting Tab, 3/8-16
2	2900022	2	Flat Washer, 5/16" SAE
3	2900031	2	Lock Washer, 5/16" Split
4	2900019	2	Cap Screw, Hex Hd., 5/16-18 x 3/4"
5	6045371	1	Belt Guard Assembly - Right Side
6	2900014	7	Flat Washer, 3/8" SAE
7	2900006	7	Lock Washer, 3/8" Split
8	2900005	6	Cap Screw, Hex Hd., 3/8-16 x 1"
9	6045143	1	Fan Cover Weldment
10	2503928	1	Idler Pulley, 3" Flat Type /w Bushing
11	2900058	1	Flat Washer, 1/2" SAE
12	2900012	1	Shoulder Screw, 1/2" x 1-1/4" (3/8-16)
13	2900782	1	Jam Nut, 3/8-16
14	6045188	1	Fan Cover Gasket

14" Blade Guard Assembly #6045046



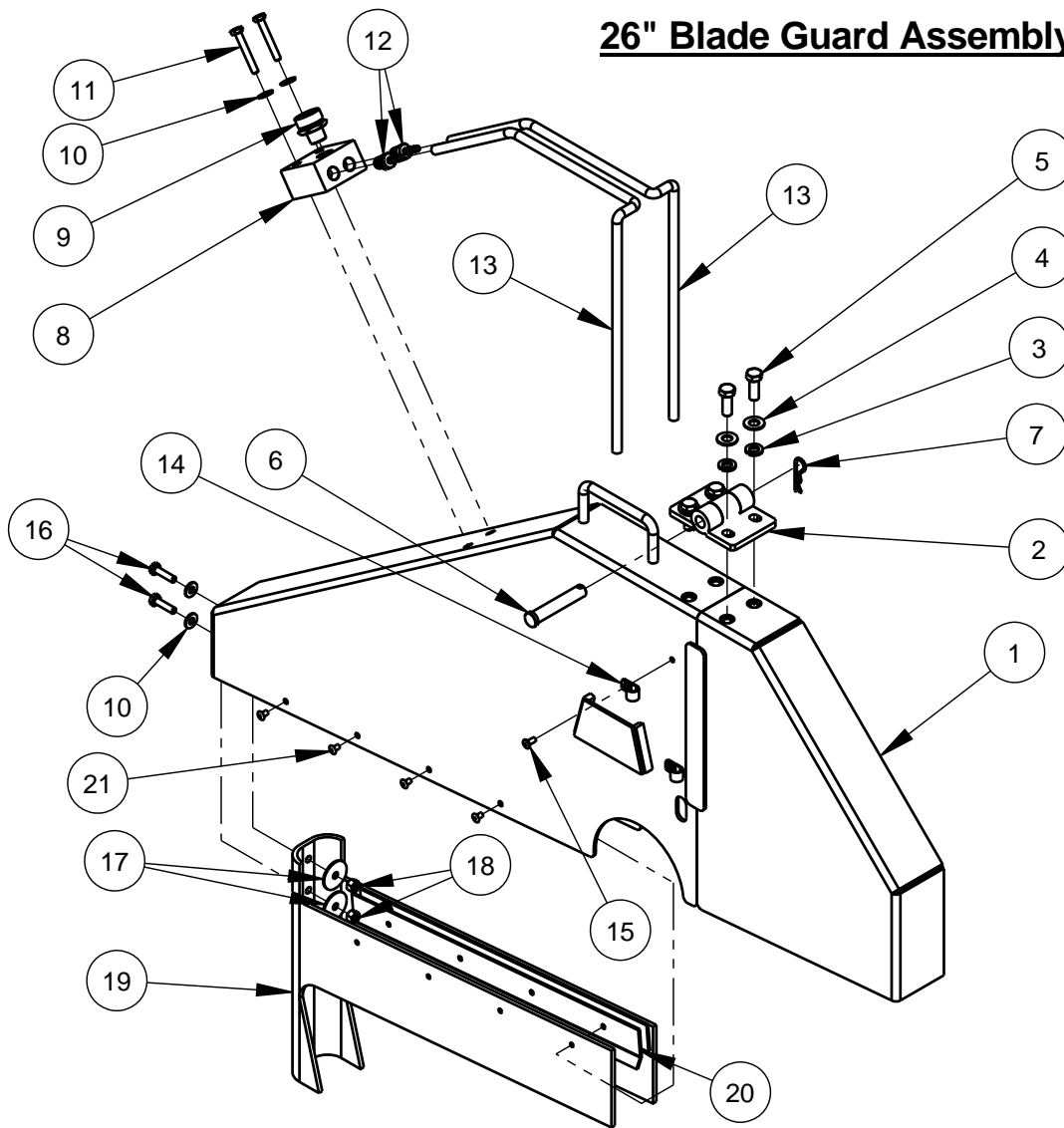
ITEM	PART NO.	QTY.	DESCRIPTION
1	6045203	1	14" Blade Guard Only
2	6041135	1	Hinge
3	2900014	4	Flat Washer, 3/8" SAE
4	2900006	4	Lock Washer, 3/8" Split
5	2900005	4	Cap Screw, Hex Hd., 3/8-16 x 1"
6	2900607	1	Clevis Pin, 1/2" x 2-3/4"
7	2900262	1	Hairpin Cotter
8	6045162	1	Water Manifold
9	3200002	1	Fitting, 3/4" M. Pipe to 3/4" M. Garden
10	2900009	4	Flat Washer, 1/4" SAE
11	2900392	2	Cap Screw, Hex Hd., 1/4-20 x 1-3/4"
12	3200019	2	Fitting, 1/4" M. Pipe to 1/4" Hose Barb
13	6045110	2	Hose, 1/4" x 3/8" x 15"
14	3200039	2	Clamp, 3/8"
15	2900201	2	Rivet, 3/16" Dia.
16	2900008	2	Cap Screw, Hex Hd., 1/4-20 x 1"
17	2900083	2	Fender Washer, 1/4" x 1-1/4"
18	2900010	2	Lock Nut, 1/4-20 Nylon
19	6045178	1	Splash Flap (CC4144D)
20	6045179	2	Splash Flap Retaining Strip
21	2900071	4	Rivet, 3/16"

20" Blade Guard Assembly #6045047



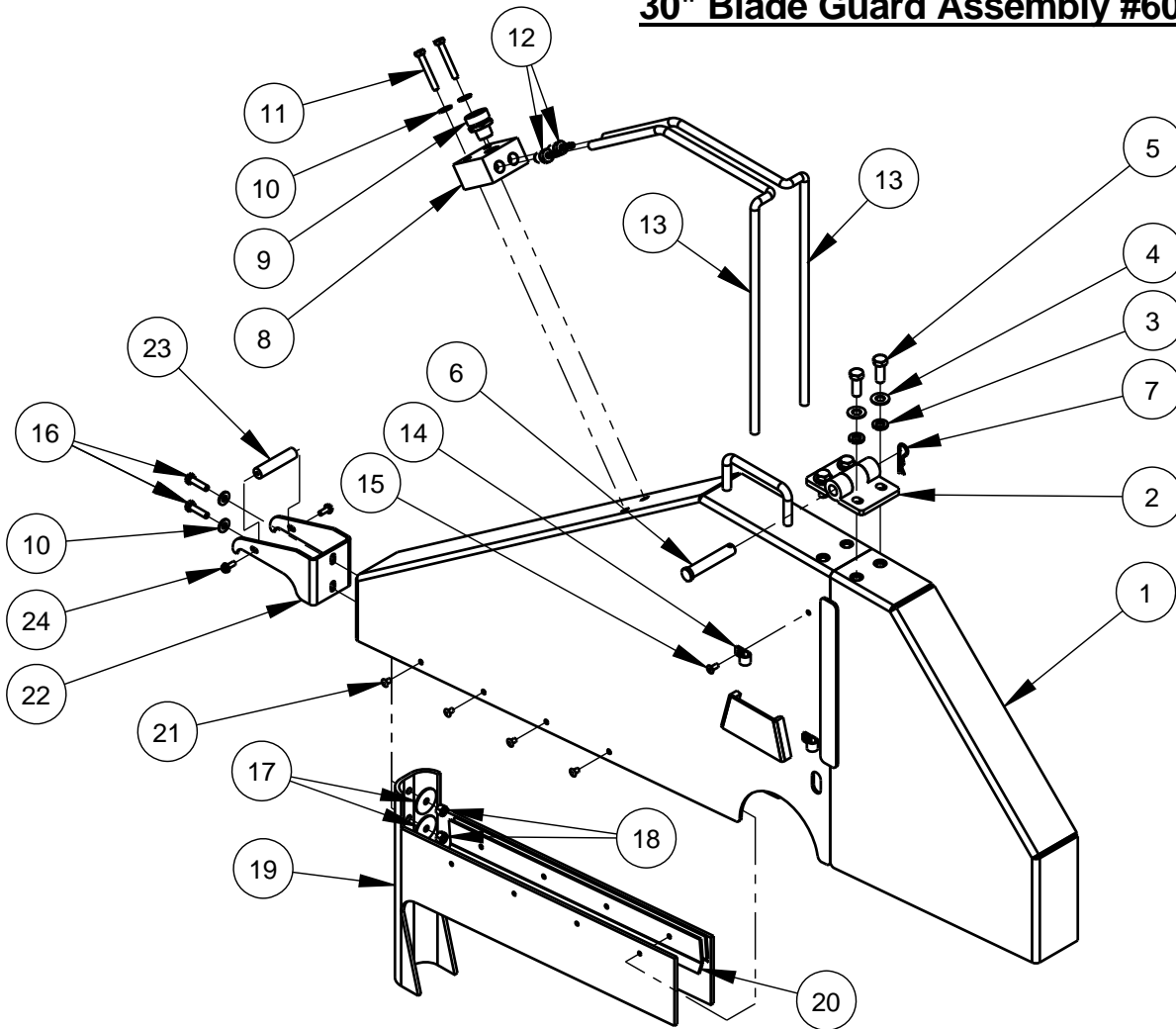
ITEM	PART NO.	QTY.	DESCRIPTION
1	6045202	1	20" Blade Guard Only
2	6041135	1	Hinge
3	2900014	4	Flat Washer, 3/8" SAE
4	2900006	4	Lock Washer, 3/8" Split
5	2900005	4	Cap Screw, Hex Hd., 3/8-16 x 1"
6	2900607	1	Clevis Pin, 1/2" x 2-3/4"
7	2900262	1	Hairpin Cotter
8	6045162	1	Water Manifold
9	3200002	1	Fitting, 3/4" M. Pipe to 3/4" M. Garden
10	2900009	4	Flat Washer, 1/4" SAE
11	2900392	2	Cap Screw, Hex Hd., 1/4-20 x 1-3/4"
12	3200019	2	Fitting, 1/4" M. Pipe to 1/4" Hose Barb
13	6045109	2	Hose, 1/4" x 3/8" x 19"
14	3200039	4	Clamp, 3/8"
15	2900201	4	Rivet, 3/16" Dia.
16	2900008	2	Cap Screw, Hex Hd., 1/4-20 x 1"
17	2900083	2	Fender Washer, 1/4" x 1-1/4"
18	2900010	2	Lock Nut, 1/4-20 Nylon
19	6045178	1	Splash Flap (CC4144D)
20	6045179	2	Splash Flap Retaining Strip
21	2900071	4	Rivet, 3/16"

26" Blade Guard Assembly #6045048



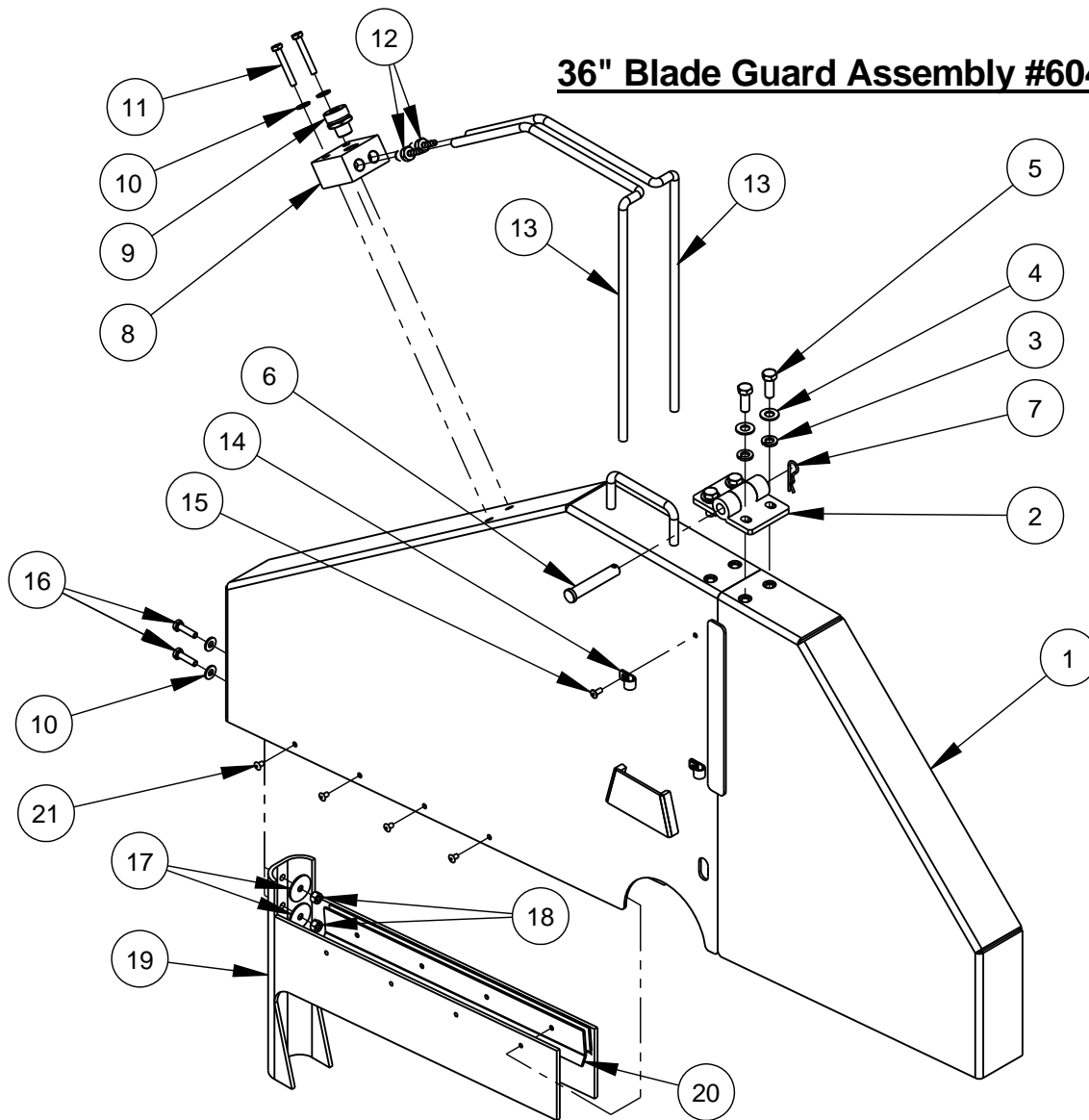
ITEM	PART NO.	QTY.	DESCRIPTION
1	6045201	1	26" Blade Guard Only
2	6041135	1	Hinge
3	2900006	4	Lock Washer, 3/8" Split
4	2900014	4	Flat Washer, 3/8" SAE
5	2900005	4	Cap Screw, Hex Hd., 3/8-16 x 1"
6	2900607	1	Clevis Pin, 1/2" x 2-3/4"
7	2900262	1	Hairpin Cotter
8	6045162	1	Water Manifold
9	3200002	1	Fitting, 3/4" M. Pipe to 3/4" M. Garden
10	2900009	4	Flat Washer, 1/4" SAE
11	2900392	2	Cap Screw, Hex Hd., 1/4-20 x 1-3/4"
12	3200019	2	Fitting, 1/4" M. Pipe to 1/4" Hose Barb
13	6045106	2	Hose, 1/4" x 3/8" x 25"
14	3200039	4	Clamp, 3/8"
15	2900201	4	Rivet, 3/16" Dia.
16	2900008	2	Cap Screw, Hex Hd., 1/4-20 x 1"
17	2900083	2	Fender Washer, 1/4" x 1-1/4"
18	2900010	2	Lock Nut, 1/4-20 Nylon
19	6045174	1	Splash Flap (CC4144D)
20	6045172	2	Splash Flap Retaining Strip (Long)
21	2900071	8	Rivet, 3/16"

30" Blade Guard Assembly #6045049



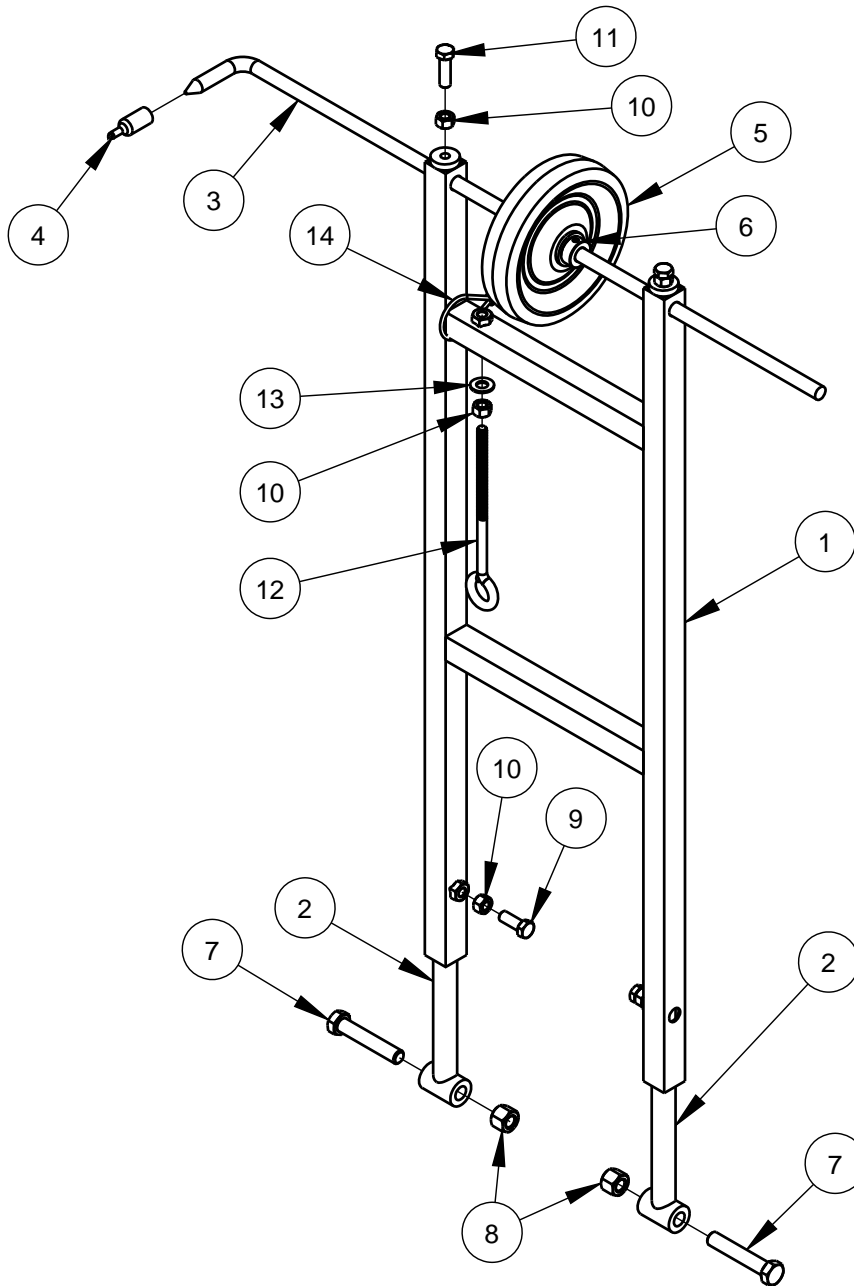
ITEM	PART NO.	QTY.	DESCRIPTION
1	6045200	1	30" Blade Guard Only
2	6041135	1	Hinge
3	2900006	4	Lock Washer, 3/8" Split
4	2900014	4	Flat Washer, 3/8" SAE
5	2900005	4	Cap Screw, Hex Hd., 3/8-16 x 1"
6	2900607	1	Clevis Pin, 1/2" x 2-3/4"
7	2900262	1	Hairpin Cotter
8	6045162	1	Water Manifold
9	3200002	1	Fitting, 3/8" M. Pipe to 3/4" M. Garden
10	2900009	4	Flat Washer, 1/4" SAE
11	2900392	2	Cap Screw, Hex Hd., 1/4-20 x 1-3/4"
12	3200019	2	Fitting, 1/4" NPTM Pipe to 1/4" Hose Barb
13	6045107	2	Hose, 1/4" x 3/8" x 25"
14	3200039	4	Clamp, 3/8"
15	2900201	4	Rivet, 3/16" Dia.
16	2900008	2	Cap Screw, Hex Hd., 1/4-20 x 1"
17	2900083	2	Fender Washer, 1/4" x 1-1/4"
18	2900010	2	Lock Nut, 1/4-20 Nylon
19	6045174	1	Splash Flap (CC4144D)
20	6045172	2	Splash Flap Retaining Strip (Long)
21	2900071	8	Rivet, 3/16"
22	6045265	1	30" Blade Guard Support
23	6045266	1	Blade Guard Support Spacer
24	2901412	2	Machine Screw, IHWH #10-24 x 1/2"

36" Blade Guard Assembly #6045224



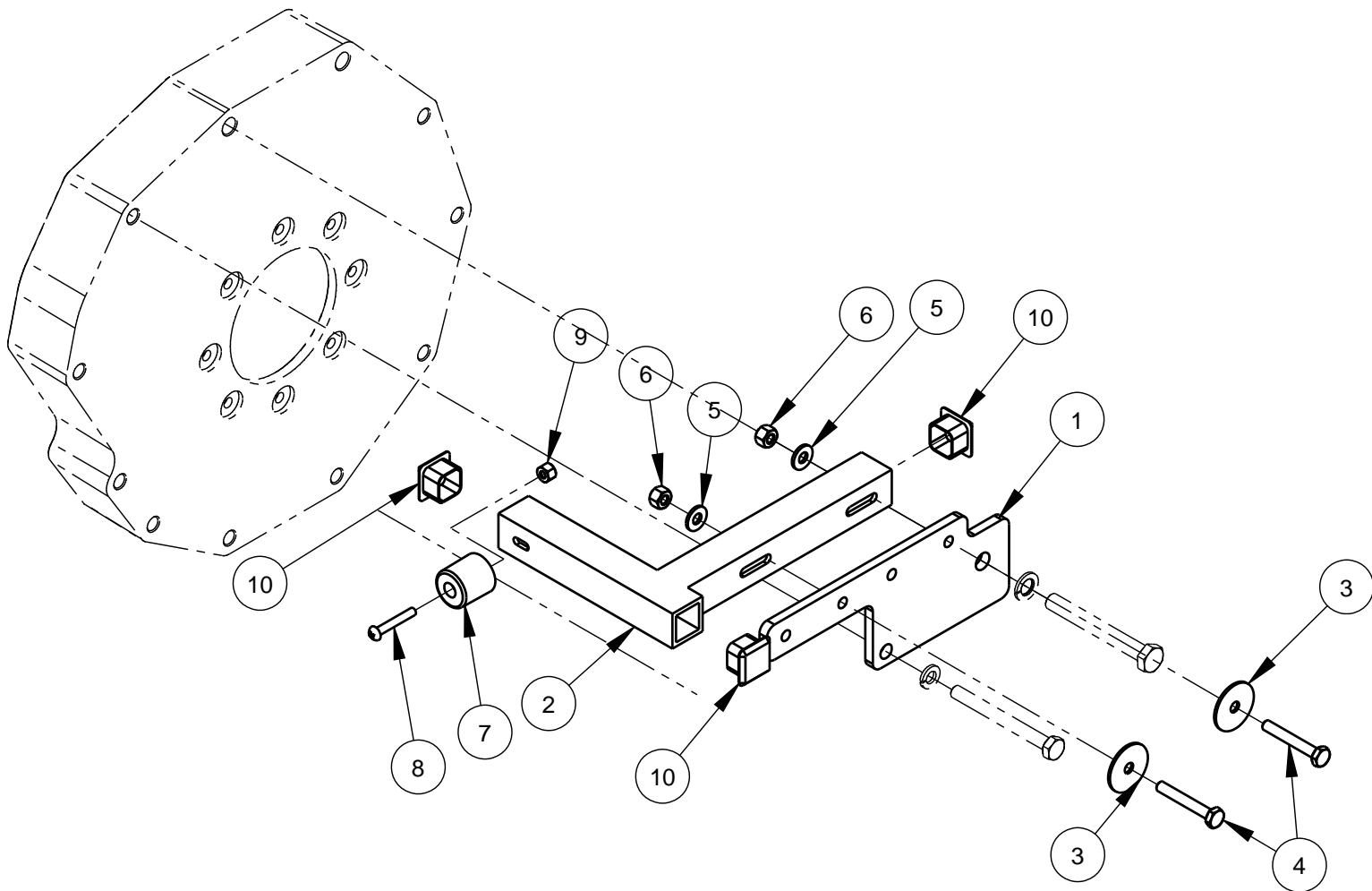
ITEM	PART NO.	QTY.	DESCRIPTION
1	6045223	1	36" Blade Guard Only
2	6041135	1	Hinge
3	2900006	4	Lock Washer, 3/8" Split
4	2900014	4	Flat Washer, 3/8" SAE
5	2900005	4	Cap Screw, Hex Hd., 3/8-16 x 1"
6	2900607	1	Clevis Pin, 1/2" x 2-3/4"
7	2900262	1	Hairpin Cotter
8	6045162	1	Water Manifold
9	3200002	1	Fitting, 3/4" M. Pipe to 3/4" M. Garden
10	2900009	4	Flat Washer, 1/4" SAE
11	2900392	2	Cap Screw, Hex Hd., 1/4-20 x 1-3/4"
12	3200019	2	Fitting, 1/4" NPSM Straight Pipe to 1/4" Hose Barb
13	6045107	2	Hose, 1/4" x 3/8" x 25"
14	3200039	4	Clamp, 3/8"
15	2900201	4	Rivet, 3/16" Dia.
16	2900008	2	Cap Screw, Hex Hd., 1/4-20 x 1"
17	2900083	2	Fender Washer, 1/4" x 1-1/4"
18	2900010	2	Lock Nut, 1/4-20 Nylon
19	6045174	1	Splash Flap (CC4144D)
20	6045172	2	Splash Flap Retaining Strip (Long)
21	2900071	8	Rivet, 3/16"

Front Pointer Assembly #6045212



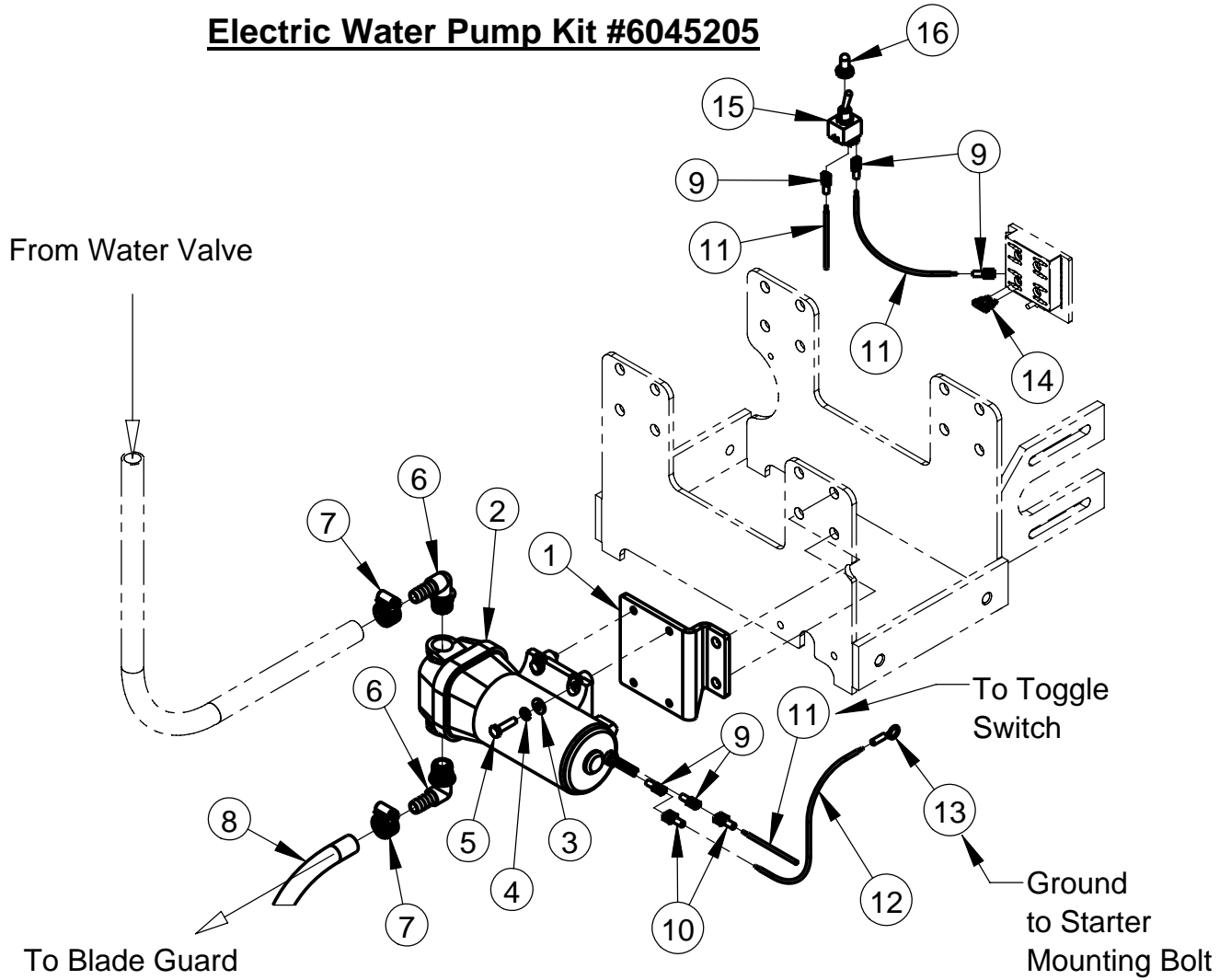
ITEM	PART NO.	QTY.	DESCRIPTION
1	6045211	1	Front Pointer Frame (CC4144D)
2	6011152	2	Front Pointer Arm
3	6013025	1	Front Pointer Rod
4	2500740	1	Pointer Cap
5	2501409	1	Wheel, 6"
6	2500007	2	Set Collar, 1/2" with Set Screw
7	2900105	2	Cap Screw, Hex Hd., 1/2-13 x 2-3/4"
8	2900026	2	Lock Nut, 1/2-13 Nylon
9	2900005	2	Cap Screw, Hex Hd., 3/8-16 x 1"
10	2900033	5	Hex Nut, 3/8-16
11	2900013	2	Cap Screw, Hex Hd., 3/8-16 x 1-1/4"
12	2900602	1	Eye Bolt, 3/8-16 x 6"
13	2900014	1	Flat Washer, 3/8" SAE
14	6013159	1	Pointer Lanyard

Pointer Stop Assembly #6045177



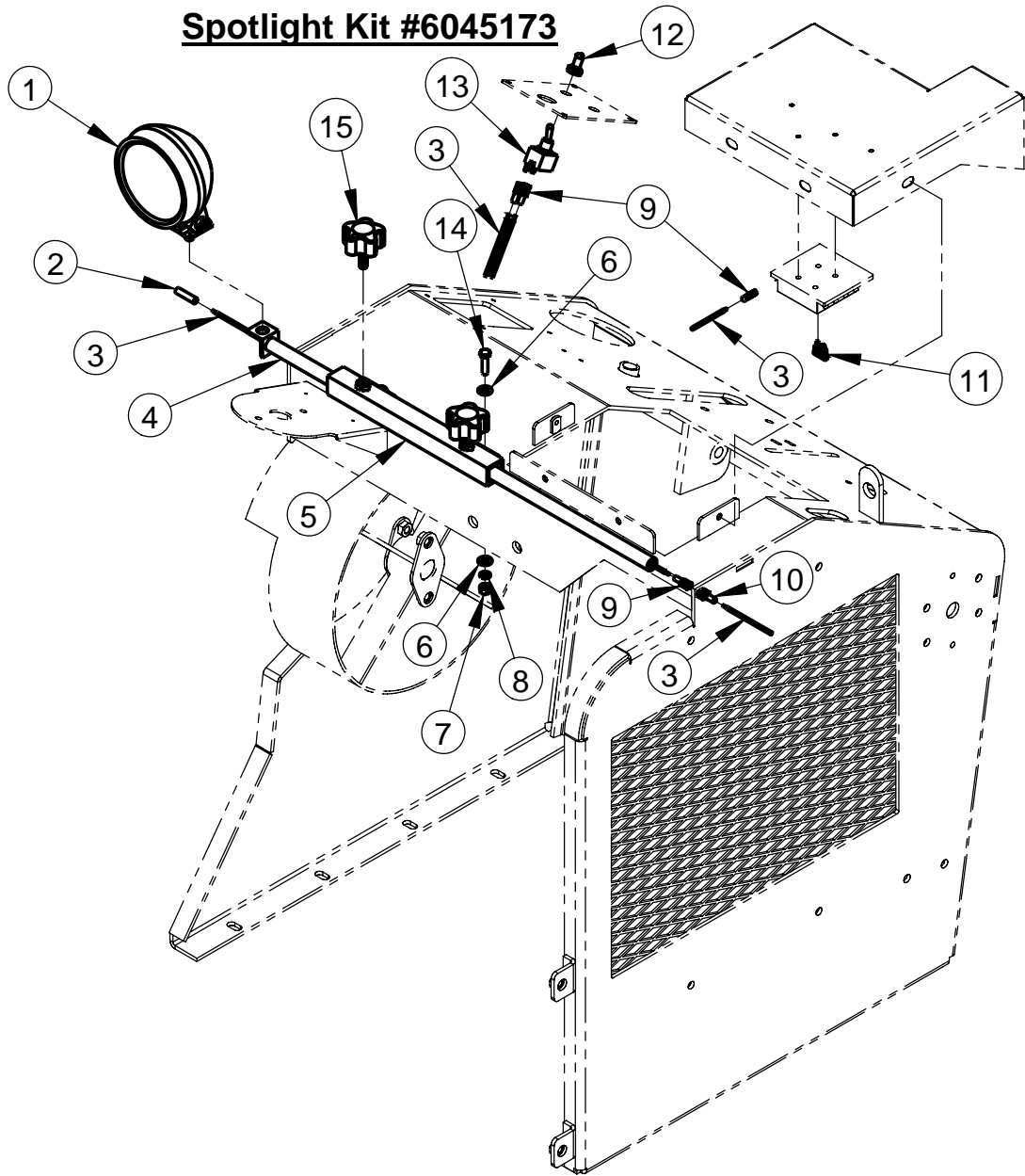
ITEM	PART NO.	QTY.	DESCRIPTION
1	6045176	1	Pointer Stop Adapter Plate
2	6010583	1	Pointer Stop
3	2900083	2	Fender Washer, 1/4" x 1-1/4"
4	2900392	2	Cap Screw, Hex Hd., 1/4-20 x 1-3/4"
5	2900009	2	Flat Washer, 1/4" SAE
6	2900010	2	Lock Nut, 1/4-20 Nylon
7	2501093	1	Bumper, 1"
8	2900172	1	Machine Screw, Rd. Hd., #10-24 x 1-1/4"
9	2900017	1	Lock Nut, #10-24 Nylon
10	2500573	3	Plug, 1" Square Tube

Electric Water Pump Kit #6045205



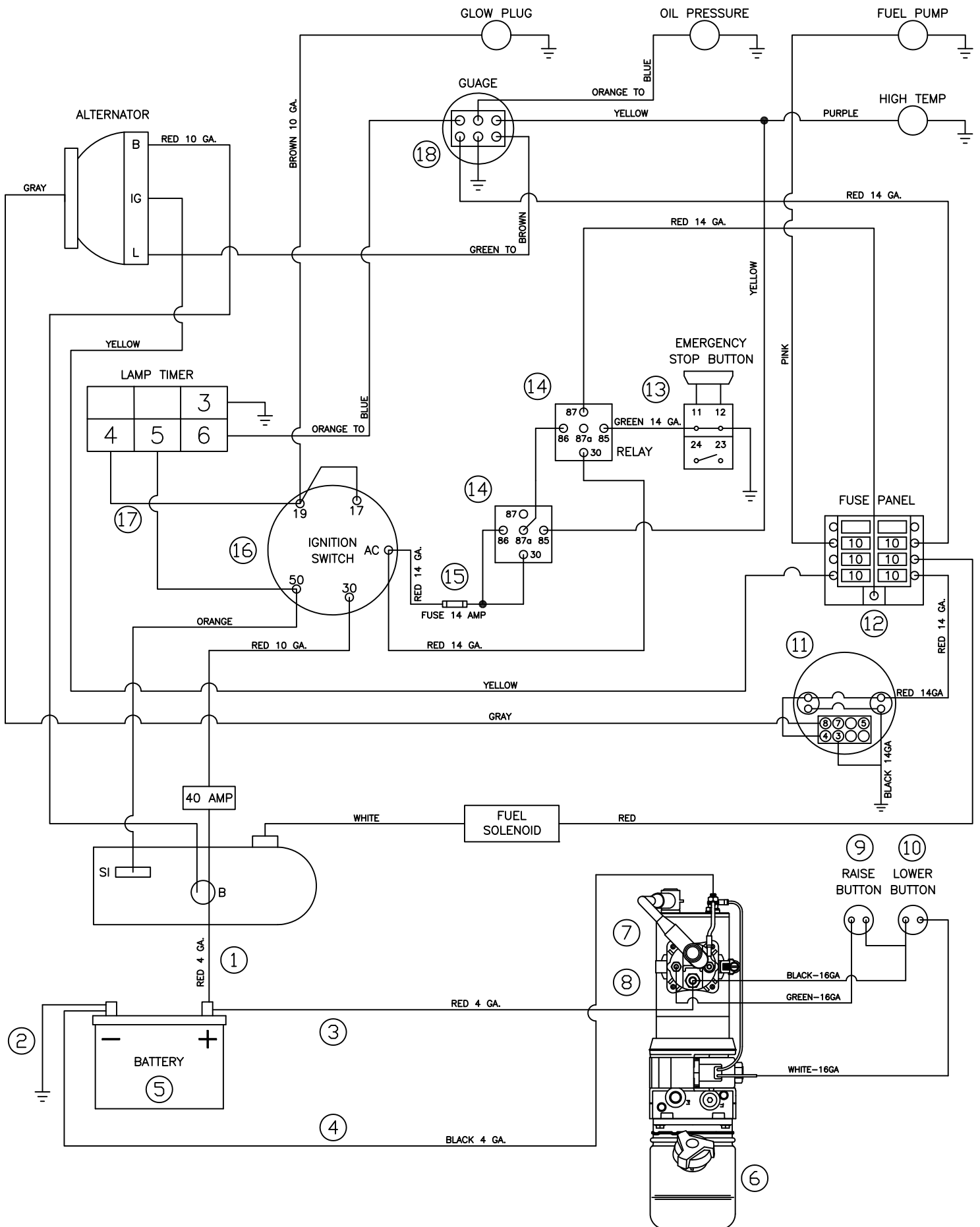
ITEM No.	PART No.	QTY.	DESCRIPTION
1	6045136	1	Water Pump Mounting Bracket
2	2600200	1	Water Pump, 12V Diaphragm
3	2900009	4	Flat Washer, 1/4" SAE
4	2900024	4	Lock Washer, 1/4" Split
5	2900008	4	Cap Screw, Hex Hd., 1/4-20 x 1"
6	2701694	2	Port Fitting, 1/2" Barb x 90 Degree
7	3200016	2	Hose Clamp #8
8	6010302	1	Hose Assembly, 4 Foot
9	2800074	5	14-16 Gage Push On, Female
10	2800484	2	14-16 Gage Push On, Male
11	2800177	84in	14AWG Red MTW
12	2800033	12in	14AWG Black MTW
13	2800656	1	16-14 Gage Terminal Ring, 3/8"
14	2800389	1	Fuse, 10 Amp Red ATO/ATC
15	2800062	1	Toggle Switch On/Off
16	2800063	1	Switch Boot

Spotlight Kit #6045173



ITEM	PART No.	QTY	DESCRIPTION
1	2500194	1	Spot Light, 12 Volt
2	2800212	1	14-16 Gage Butt Connector
3	2800177	80"	14AWG Red MTW
4	6010106	1	Light Bar
5	6010107	1	Light Bar Mount Bracket
6	2900009	4	Flat Washer, 1/4" SAE
7	2900010	2	Lock Nut, 1/4-20 Nylon
8	2900024	2	Lock Washer, 1/4" Split
9	2800074	4	14-16 Gage Push On, Female
10	2800484	1	14-16 Gage Push On, Male
11	2800389	1	Fuse, 10 Amp Red ATO/ATC
12	2800063	1	Switch Boot
13	2800062	1	Toggle Switch On/Off
14	2900008	2	Cap Screw, Hex Hd., 1/4-20 x 1"
15	2400157	2	Hand Lock Knob, 5/16-18 x 1"

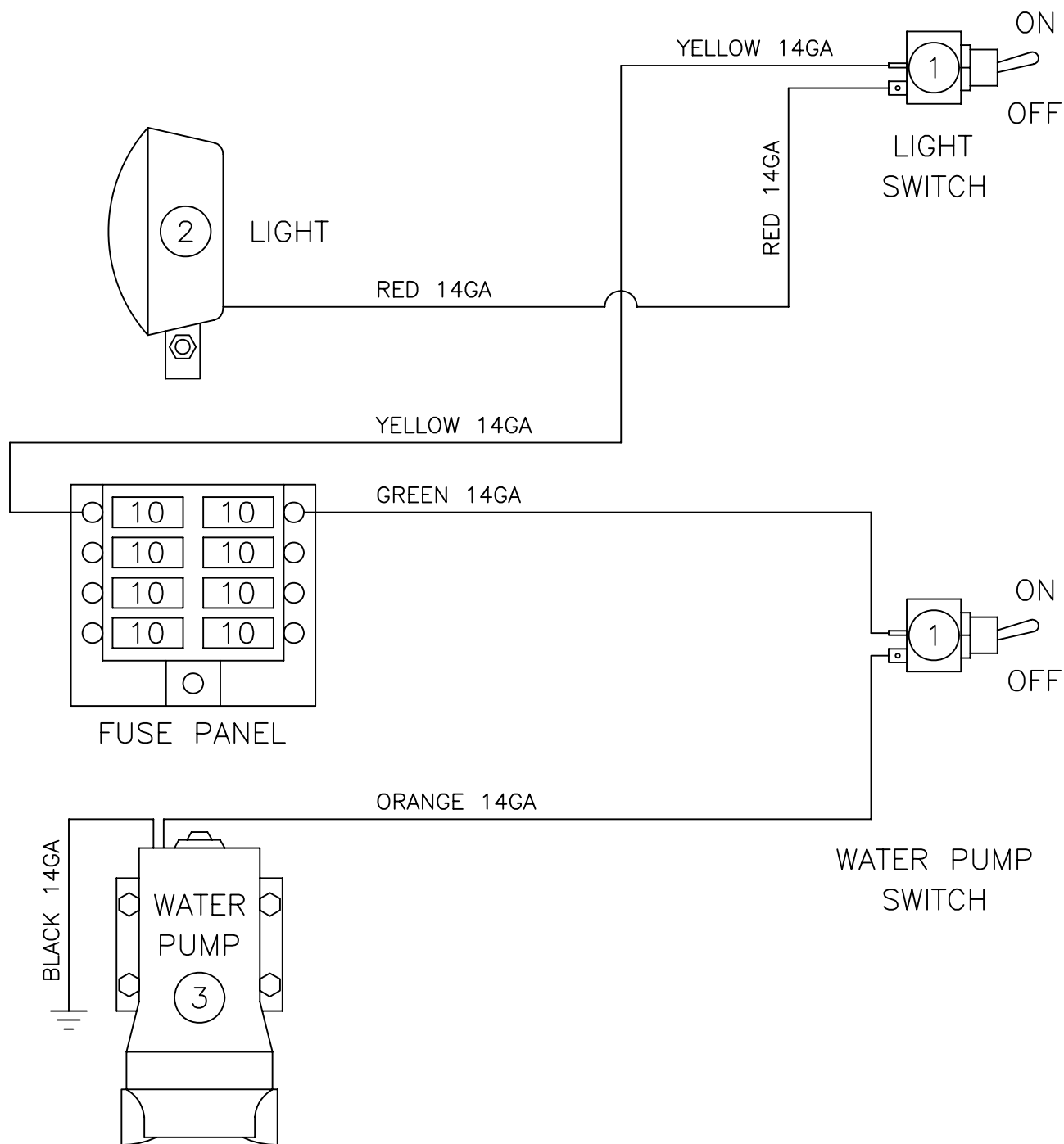
Wiring Diagram (New VDO Tach)



Wiring Diagram

ITEM	PART NO.	QTY.	DESCRIPTION
1	2800073	1	Battery Cable, Positive (Red)
2	2800072	1	Ground Cable, Negative (Black)
3	2800095	1	Solenoid Cable, Positive (Red)
4	6048092	1	Battery Cable, Negative (Black)
5	2800561	1	Battery, 12 Volt, Group Size 26-60
6	2600540	1	Electro/Hydraulic Pump Unit (Includes #7 & #8)
7	2703228	1	Solenoid Switch 12VDC
8	2703229	1	Mounting Strap
9	2800372	1	Pusbutton Switch, Raise
10	2800373	1	Pusbutton Switch, Lower
11	6010421	1	Tachometer / Hour meter (VDO) Calibrated
12	2800696	1	Fuse Panel, 8 Circuit
13	2801367	1	Emergency Stop Button
14	2800144	2	Relay
15	2800857	1	Fuse, 15 Amp
	2800856	1	In-Line Fuse Holder
16	2700501	1	Ignition Switch, CC4144D
	2705000	1	(Ignition Key Only)
17	2800855	1	Wire Harness, Lamp Timer
18	2705003	1	Cluster Gage, 4 Warning Light

Options Wiring Diagram



ITEM	PART NO.	QTY.	DESCRIPTION
1	2800062	2	Toggle Switch
	2800063	2	Switch Boot
2	2500194	1	Spot Light, 12 Volt
3	2600200	1	Water Pump, 12 Volt Diaphragm

Decal Set #1800933

CC4144D RPM CHART

BLADE SIZE	BLADE RPM	BLADESHAFT SHEAVE	ENGINE SHEAVE	ENGINE RPM	BELT SIZE	FLANGE SIZE	MAX CUT DEPTH
14"	2,600	4.75"	4.12"	3,000	3VX450	5"	4-3/8"
20"	2,525	4.75"	4.12"	2,900	3VX450	5"	7-3/8"
26"	2,100	5.30"	4.12"	2,700	3VX464	6"	9-7/8"
30"	1,800	5.30"	4.12"	2,300	3VX464	6"	11-7/8"

⚠ WARNING

- Always check the bladeshaft RPM before mounting blade.
- Only use blades with a rated speed higher than the bladeshaft speed.
- Never exceed the maximum RPM stamped on the blade. Overspeeding the blade can cause blade breakage and serious personal injury.
- When changing blade size, always adjust bladeshaft RPM according to the speed chart to match recommended blade RPM.
- Do not use a blade flange size smaller than indicated for each blade.
- Never operate saw without the blade guard in place or allow rotating blade exposure to exceed 180°.
- Never stand in line with the blade path when starting or operating saw.
- Never use damaged blades or equipment.
- Refer to operator's manual for additional information about safety operation and maintenance.

⚠ ADVERTENCIA

- Asegúrese de verificar la velocidad en RPM del eje de la hoja de sierra antes de montar la hoja.
- Use solamente hojas de sierras cuyas velocidades de operación fueron establecidas para velocidades superiores a las velocidades del eje de la hoja.
- Nunca exceda la velocidad de operación máxima en RPM estampada en la hoja de sierra. Operar la hoja a una velocidad superior a la establecida puede causar la rotura de la hoja y serios lesiones corporales.
- Cuando cambie el tamaño de la hoja de sierra, asegúrese de ajustar la velocidad en RPM del eje de la hoja de acuerdo con la velocidad recomendada en la tabla para que concuerde con la velocidad en RPM establecida para la hoja de sierra.
- No utilice un tamaño más pequeño de pestanas de hoja de sierra que el indicado en cada hoja de sierra.
- Nunca opere la sierra sin haber colocado los protectores en sus lugares correspondientes ni permita que la parte expuesta de la hoja de sierra en rotación exceda los 180°.
- No se coloque en la misma dirección que va la hoja de la sierra al arrancar la sierra o cuando este operando la sierra.
- Nunca use sierras ni hojas de sierras que están dañadas.
- Para obtener más información sobre la seguridad de operación, funcionamiento y mantenimiento del equipo, lea el manual del operador.

Notes

EQUIPMENT AND PARTS WARRANTY

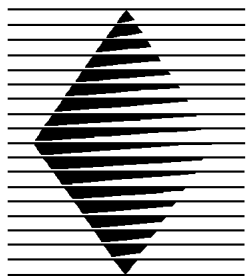
Diamond Products warrants all equipment manufactured by it against defects in workmanship or materials for a period of one (1) year from the date of shipment to Customer.

The responsibility of Diamond Products under this Warranty is limited to replacement or repair of defective parts at Diamond Products' Elyria, Ohio factory, or at a point designated by it, of such parts as shall appear to us upon inspection at such parts, to have been defective in material or workmanship, with expense for transportation and labor borne by Customer.

In no event shall Diamond Products be liable for consequential or incidental damages arising out of the failure of any Product to operate properly.

Integral units such as engines, electric motors, batteries, transmissions, etc., are excluded from this Warranty and are subject to the prime manufacturer's warranty.

THIS WARRANTY IS IN LIEU OF ALL OTHER WARRANTIES, EXPRESSED OR IMPLIED, AND ALL SUCH OTHER WARRANTIES ARE HEREBY DISCLAIMED.



DIAMOND PRODUCTS

333 Prospect Street, Elyria, Ohio 44035
(440) 323-4616 • (800) 321-5336 • Fax (440) 323-8689
www.diamondproducts.com